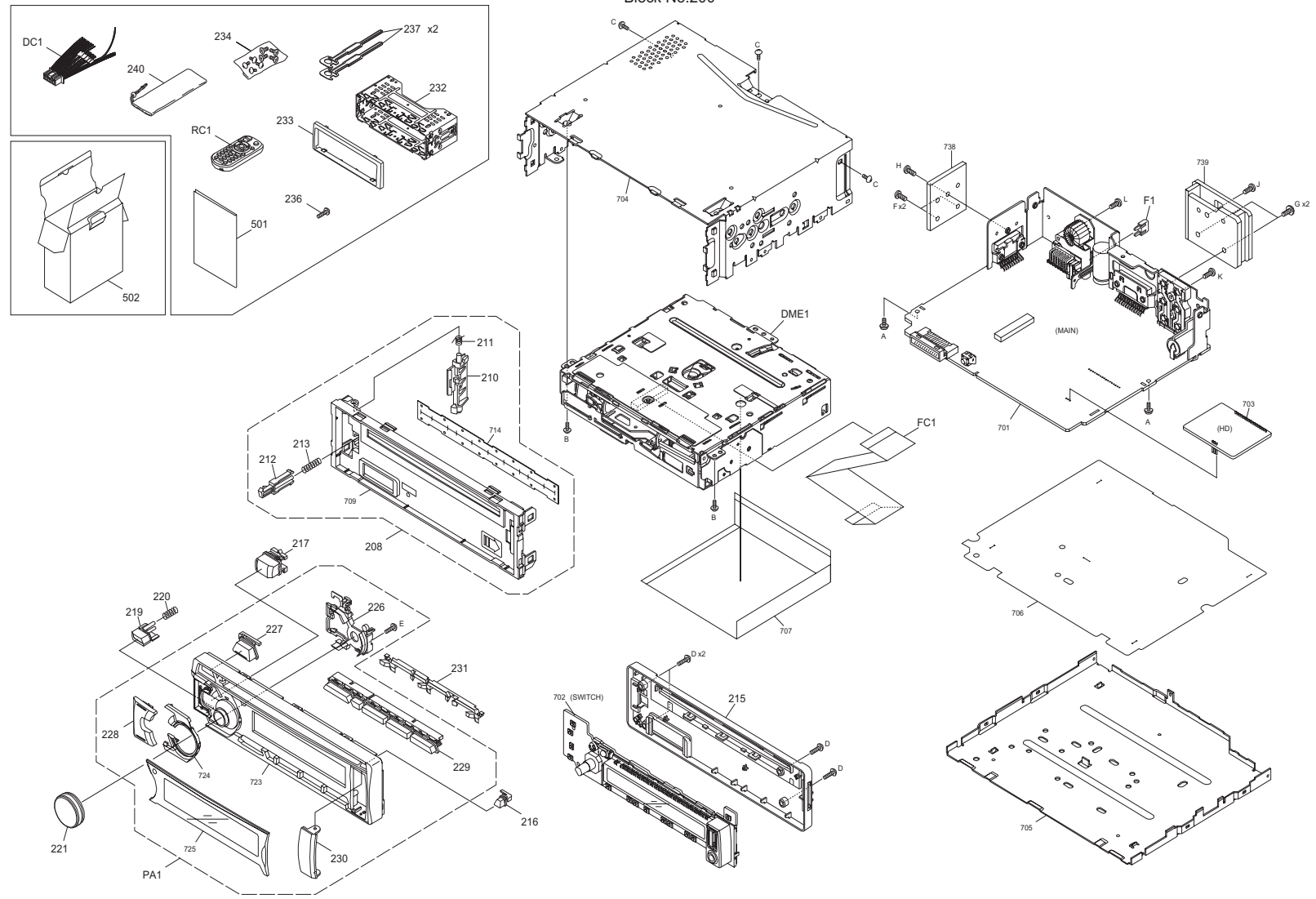


# EXPLODED VIEW (UNIT)



Parts with the exploded numbers larger than 700 are not supplied.

MODEL	MARK
KDC-X497	

Safe	Symbol No.	Parts No.	Parts Name	Description	QTY	Local
------	------------	-----------	------------	-------------	-----	-------

EXPLODED VIEW (UNIT) <200>

	DC1	QAM1336-001	DC CORD		1	
	DME1	X92-6740-00	MECHANISM ASSY (HCS-1100W)		1	
△	F1	QMFZ064-100-J1	FUSE	10A	1	
	FC1	WJT0314-001A-E	E-CARD WIRE		1	
	PA1	GE20325-006A	F. PANEL ASSY		1	
	RC1	QAL1303-004	REMOTE CONTROL UNIT (RC-406)		1	
	A	GE40377-002A	SCREW		2	
	B	QYSDST2604ZA	TAP SCREW	M2.6 x 4mm	2	
	C	QYSDST2606ZA	TAP SCREW	M2.6 x 6mm	3	
	D	QYSPSF2008ZA	TAP SCREW	M2 x 8mm	4	
	E	QYSPSF2006ZA	TAP SCREW	M2 x 6mm	1	
	F	GE40662-001A	SPECIAL SCREW		2	
	G	GE40377-005A	SPECIAL SCREW		2	
	H	QYSDST2608ZA	TAP SCREW	M2.6 x 8mm	1	
	J	QYSDST2610ZA	TAP SCREW	M2.6 x 10mm	1	
	K	QYSDSF2608ZA	TAP SCREW	M2.6 x 8mm	1	
	L	QYSDSG3006ZA	TAP SCREW	M3 x 6mm	1	
	208	GE35081-001A	F.CHASSIS ASSY		1	
	210	GE35078-001A	LOCK LEVER		1	
	211	GE40504-001A	SPRING		1	
	212	GE35079-001A	RELEASE LEVER		1	
	213	GE40505-001A	SPRING		1	
	215	GE10352-001A	REAR COVER		1	
	216	GE35088-001A	EJECT BUTTON		1	
	217	GE40640-003A	KNOB ASSY		1	
	219	GE35102-001A	DETACH BUTTON		1	
	220	GE40505-002A	SPRING		1	
	221	GE40636-003A	VOL KNOB RUBBER		1	
	226	GE20322-001A	LIGHT GUIDE (USB)		1	
	227	GE35097-001A	SRC BUTTON		1	
	228	GE35094-001A	SEARCH BTN		1	
	229	GE20321-001A	PRESET BTN		1	
	230	GE35089-001A	USB DOOR COVER		1	
	231	GE35092-001A	LIGHTING LENS		1	
	232	GE34826-002A	M.SLEEVE ASSY		1	
	233	GE20291-001A	TRIM PLATE		1	
	234	GE40536-001A	SCREW SET		1	
	236	QYSPSF2008MA	TAP SCREW	M2 x 8mm	1	
	237	GE40578-002A	HOOK		2	
	240	GE40520-001A	CARRYING CASE		1	
	501	GET0856-001A	INST BOOK	ENG FRE SPA	1	
	502	GE35346-001A	INNER CARTON		1	

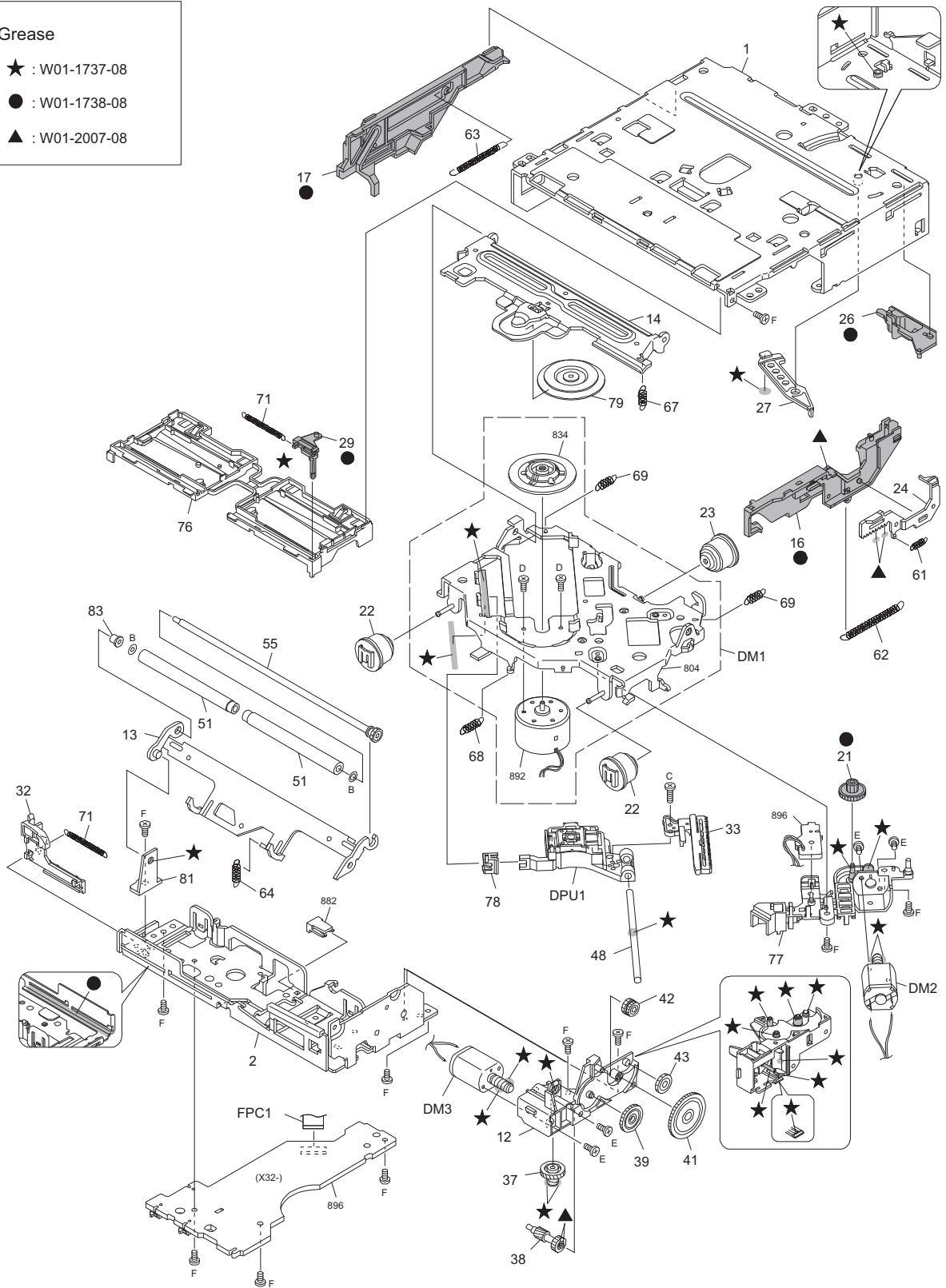
# EXPLODED VIEW (CD MECHANISM)

Block No.130

HCS-1100W

**Grease**

- ★ : W01-1737-08
- : W01-1738-08
- ▲ : W01-2007-08



Parts with the exploded numbers larger than 800 are not supplied.

MODEL	MARK
KDC-X497	

Safe	Symbol No.	Parts No.	Parts Name	Description	QTY	Local
<b>EXPLODED VIEW (CD MECHANISM) &lt;130&gt;</b>						
	DM1	X94-2150-00	SPINDLE MOTOR ASSY		1	
	DM2	X94-2160-00	FEED MOTOR ASSY		1	
	DM3	X94-2170-00	LOADING MOTOR ASSY		1	
	DPU1	QAL1226-001	PICK UP		1	
	FPC1	QAL0817-003	FPC		1	
	B	LV45449-001A	WASHER		2	
	C	QYSPSGT1745ZA	TAP SCREW	M1.7 x 4.5mm	1	
	D	LV45568-001A	MINI SCREW		2	
	E	QYSPSPT2025MA	SCREW	M2 x 2.5mm	4	
	F	VKZ4539-054	MINI SCREW		11	
	1	LV11685-503A	TOP FRAME		1	
	2	LV11686-501A	BOTTOM FRAME		1	
	12	LV11688-501A	LOADING BASE		1	
	13	LV11690-501A	ROLLER ARM		1	
	14	LV22825-502A	HC CLAMPER BASE		1	
	16	LV22826-502A	LOAD CAM		1	
	17	LV22827-501A	FL SLIDER(L)		1	
	21	LV36815-501A	F WHEEL GEAR		1	
	22	LV36904-001A	DAMPER		2	
	23	LV37061-001A	DAMPER		1	
	24	LV38951-501A	TRIGGER RACK		1	
	26	LV38952-501A	FL SLIDER(B)		1	
	27	LV38953-501A	TRIGGER PLATE		1	
	29	LV38957-501A	SW SLIDER(R)		1	
	32	LV39496-502A	SW ACTUATOR (2)		1	
	33	LV38960-501A	FEED RACK		1	
	37	LV38964-501A	D.WHEEL GEAR		1	
	38	LV38965-501A	ACT GEAR(1)		1	
	39	LV38966-501A	ACT GEAR(2)		1	
	41	LV38967-501A	ACT GEAR(3)		1	
	42	LV38968-501A	ROLLER ACT GEAR		1	
	43	LV38969-501A	DRIVE GEAR		1	
	48	LV44555-001A	MAIN SHAFT		1	
	51	LV45424-001A	HC ROLLER		2	
	55	X94-2190-00	ROLLER SHAFT ASSY		1	
	61	LV45415-501A	TRIGGER SPRING		1	
	62	LV45416-501A	LOAD CAM SPRING		1	
	63	LV45417-501A	FL SLIDER SPRING		1	
	64	LV45418-501A	R.ARM SPRING		1	
	67	LV45421-501A	HC CL SPRING		1	
	68	LV45422-501A	SUS SPRING(F)		1	
	69	LV45423-501A	SUS SPRING(B)		2	
	71	LV45505-502A	SW ACT SPRING		2	
	76	LV11689-501A	DISC GUIDE		1	
	77	LV22828-501A	FEED BRACKET		1	
	78	LV36813-501A	SUB GUIDE CAP		1	
	79	LV36819-502A	CLAMPER		1	
	81	LV38954-501A	R.ARM GUIDE		1	
	83	LV45648-501A	RA COLLAR (L) 2		1	

MODEL	MARK
KDC-X497	

Safe	Symbol No.	Parts No.	Parts Name	Description	QTY	Local
<b>ELECTRIC UNIT (X34-7440-10) &lt;X34&gt;</b>						
△	IC1	TDA7706	IC (MOS-IC)		1	
	IC80	MFI337S3959-X	IC		1	
			(MICROPROCESSOR)			
	IC161	TDA7720B-X	IC (ANALOGUE)		1	
△	IC301	TB2931HQ	IC (ANALOGUE)		1	
△	IC501	LV8281VR-X	IC (MOS-IC)		1	
	IC530	BU33TD3WG-W	IC (ANALOGUE)		1	
	IC531	BU15TD3WG-W	IC (ANALOGUE)		1	
	IC532	BU15TD3WG-W	IC (ANALOGUE)		1	
△	IC540	JCV8022	IC (MOS-IC)		1	
△	IC701	W10-0829-08	IC (MCU)		1	
	IC702	BU4828F-W	IC (MOS-IC)		1	
	IC771	BR24T256FJ-W-X	IC (ROM)		1	
△	IC901	LV5680NPVC	IC (ANALOGUE)		1	
△	IC910	NJM285DL1-33X	IC (ANALOGUE)		1	
△	IC912	XC6222B121PG-X	IC (ANALOGUE)		1	
	IC931	XC6213B332NG-X	IC (ANALOGUE)		1	
	IC981	BD9876EFJ-X	IC (MOS-IC)		1	
	Q251	IMX9-W	PAIR TRANSISTOR		1	
	Q321	IMX9-W	PAIR TRANSISTOR		1	
	Q341	IMX9-W	PAIR TRANSISTOR		1	
	Q540	2SA2188/F-X	TRANSISTOR		1	
	Q701	LTA014YUB-X	DIGI TRANSISTOR		1	
	Q702	LSCR523UB-X	TRANSISTOR		1	
	Q703	2SA2188/F-X	TRANSISTOR		1	
	Q780	LTA024EUB-X	DIGI TRANSISTOR		1	
	Q781	LTA024EUB-X	DIGI TRANSISTOR		1	
	Q782	LTC024EUB-X	DIGI TRANSISTOR		1	
	Q951	2SA812/5-6/-X	TRANSISTOR		1	
	Q952	LTC044EUB-X	DIGI TRANSISTOR		1	
	Q970	2SC1623/5-6/-X	TRANSISTOR		1	
	Q971	2SC1623/5-6/-X	TRANSISTOR		1	
	D1	RN731V-X	SI DIODE		1	
	D3	RN731V-X	SI DIODE		1	
	D5	NAF0024-001X	ESD SUPPRESSOR		1	
	D100	DZ2J062/M/-X	Z DIODE		1	
	D101	DZ2J062/M/-X	Z DIODE		1	
	D110	DZ2J062/M/-X	Z DIODE		1	
	D111	DZ2J062/M/-X	Z DIODE		1	
	D251	BAW56-TP-X	SI DIODE		1	
	D321	BAW56-TP-X	SI DIODE		1	
	D341	BAW56-TP-X	SI DIODE		1	
	D504	GS1J-LTP-X	SI DIODE		1	
	D540	RKS801KF-X	SI DIODE		1	
	D704	RKZ6.2B2KG-X	Z DIODE		1	
	D780	BAW56-TP-X	SI DIODE		1	
	D781	BAW56-TP-X	SI DIODE		1	
	D782	RKS801KF-X	SI DIODE		1	
	D783	BAW56-TP-X	SI DIODE		1	
	D891	BAW56-TP-X	SI DIODE		1	
△	D901	1N5401-BPC04	SI DIODE		1	
	D931	MBRX130-TP-X	SB DIODE		1	
	D941	MBRX130-TP-X	SB DIODE		1	
	D942	MBRX130-TP-X	SB DIODE		1	
	D970	RKZ6.8B2KG-X	Z DIODE		1	
	D971	RKZ6.8B2KG-X	Z DIODE		1	
	D981	SK34A-L-X	SB DIODE		1	
	C1	NDC31HJ-330X	C CAPACITOR	33pF 50V J	1	
	C3	NCB31CK-473X	C CAPACITOR	0.047uF 16V K	1	
	C4	NCB31HK-102X	C CAPACITOR	1000pF 50V K	1	
	C6	NDC31HJ-390X	C CAPACITOR	39pF 50V J	1	
	C8	NDC31HJ-6R0X	C CAPACITOR	6pF 50V J	1	
	C9	NCB31HK-102X	C CAPACITOR	1000pF 50V K	1	
	C10	NCB31HK-103X	C CAPACITOR	0.01uF 50V K	1	
	C11	NDC31HJ-121X	C CAPACITOR	120pF 50V J	1	
	C14	NCB31HK-472X	C CAPACITOR	4700pF 50V K	1	
	C17	NCJ30JM-106X-A	C CAPACITOR	10uF 6.3V M	1	
	C18	NCB31HK-103X	C CAPACITOR	0.01uF 50V K	1	
	C19	NDC31HJ-221X	C CAPACITOR	220pF 50V J	1	
	C21	NCJ30JM-106X-A	C CAPACITOR	10uF 6.3V M	1	
	C22	NCBA1CK-104W	C CAPACITOR	0.1uF 16V K	1	
	C23	NDC31HJ-101X	C CAPACITOR	100pF 50V J	1	
	C24	NCBA1CK-104W	C CAPACITOR	0.1uF 16V K	1	
	C25	NCBA1EK-103W	C CAPACITOR	0.01uF 25V K	1	
	C26	NDC31HJ-820X	C CAPACITOR	82pF 50V J	1	
	C27	NCB31CK-105X	C CAPACITOR	1uF 16V K	1	
	C28	NCJ30JM-106X-A	C CAPACITOR	10uF 6.3V M	1	
	C29	NDC31HJ-471X	C CAPACITOR	470pF 50V J	1	
	C30	NCB31HK-103X	C CAPACITOR	0.01uF 50V K	1	
	C31	NCB31CK-224X	C CAPACITOR	0.22uF 16V K	1	
	C32	NCBA1CK-104W	C CAPACITOR	0.1uF 16V K	1	
	C33	NCB31HK-472X	C CAPACITOR	4700pF 50V K	1	
	C34	NCB31HK-104X	C CAPACITOR	0.1uF 50V K	1	
	C35	NDC31HJ-100X	C CAPACITOR	10pF 50V J	1	
	C36	NCBA1EK-103W	C CAPACITOR	0.01uF 25V K	1	
	C37	NDC31HJ-5R0X	C CAPACITOR	5pF 50V J	1	
	C38	NDC31HJ-5R0X	C CAPACITOR	5pF 50V J	1	
	C39	NDC31HJ-5R0X	C CAPACITOR	5pF 50V J	1	
	C40	NCB31HK-102X	C CAPACITOR	1000pF 50V K	1	
	C41	NCB31HK-102X	C CAPACITOR	1000pF 50V K	1	
	C42	NCB31CK-105X	C CAPACITOR	1uF 16V K	1	
	C43	QEKJ1HM-475Z	E CAPACITOR	4.7uF 50V M	1	
	C44	QEKJ1HM-475Z	E CAPACITOR	4.7uF 50V M	1	
	C45	NCBA1CK-104W	C CAPACITOR	0.1uF 16V K	1	

MODEL	MARK
KDC-X497	

Safe	Symbol No.	Parts No.	Parts Name	Description	QTY	Local
C46		NDC31HJ-7R0X	C CAPACITOR	7pF 50V J	1	
C47		NDC31HJ-7R0X	C CAPACITOR	7pF 50V J	1	
C48		NCB31HK-104X	C CAPACITOR	0.1uF 50V K	1	
C49		NCB31HK-104X	C CAPACITOR	0.1uF 50V K	1	
C51		NCBA1CK-104W	C CAPACITOR	0.1uF 16V K	1	
C53		NCBA1CK-104W	C CAPACITOR	0.1uF 16V K	1	
C54		NDC31HJ-5R0X	C CAPACITOR	5pF 50V J	1	
C58		NDC31HJ-2R0X	C CAPACITOR	2pF 50V J	1	
C59		NDC31HJ-5R0X	C CAPACITOR	5pF 50V J	1	
C63		NCB31CK-105X	C CAPACITOR	1uF 16V K	1	
C64		NCBA1CK-104W	C CAPACITOR	0.1uF 16V K	1	
C65		NCB31CK-474X	C CAPACITOR	0.47uF 16V K	1	
C66		NCBA1EK-103W	C CAPACITOR	0.01uF 25V K	1	
C67		NCBA1EK-103W	C CAPACITOR	0.01uF 25V K	1	
C69		NCB31AK-105X	C CAPACITOR	1uF 10V K	1	
C71		NCB31HK-102X	C CAPACITOR	1000pF 50V K	1	
C72		NDC31HJ-4R0X	C CAPACITOR	4pF 50V J	1	
C73		NDC31HJ-120X	C CAPACITOR	12pF 50V J	1	
C74		QEKJ1CM-107Z	E CAPACITOR	100uF 16V M	1	
C77		NDC31HJ-5R0X	C CAPACITOR	5pF 50V J	1	
C78		NDC31HJ-150X	C CAPACITOR	15pF 50V J	1	
C79		NCB31HK-472X	C CAPACITOR	4700pF 50V K	1	
C80		NCB31HK-104X	C CAPACITOR	0.1uF 50V K	1	
C86		NDC31HJ-5R0X	C CAPACITOR	5pF 50V J	1	
C100		NCBA1HK-152W	C CAPACITOR	1500pF 50V K	1	
C101		NCB31CK-105X	C CAPACITOR	1uF 16V K	1	
C102		NCB31CK-105X	C CAPACITOR	1uF 16V K	1	
C110		NCBA1HK-152W	C CAPACITOR	1500pF 50V K	1	
C111		NCB31CK-105X	C CAPACITOR	1uF 16V K	1	
C112		NCB31HK-104X	C CAPACITOR	0.1uF 50V K	1	
C131		NCB31AK-105X	C CAPACITOR	1uF 10V K	1	
C160		QEKJ1CM-106Z	E CAPACITOR	10uF 16V M	1	
C166		NCB31HK-104X	C CAPACITOR	0.1uF 50V K	1	
C168		NCB31HK-104X	C CAPACITOR	0.1uF 50V K	1	
C171		NCB31AK-105X	C CAPACITOR	1uF 10V K	1	
C172		QEKJ1CM-107Z	E CAPACITOR	100uF 16V M	1	
C177		NCB31AK-105X	C CAPACITOR	1uF 10V K	1	
C251		QEKJ1HM-106Z	E CAPACITOR	10uF 50V M	1	
C252		QEKJ1HM-106Z	E CAPACITOR	10uF 50V M	1	
C253		NDC31HJ-101X	C CAPACITOR	100pF 50V J	1	
C254		NDC31HJ-101X	C CAPACITOR	100pF 50V J	1	
C301		NCB21CK-224X-A	C CAPACITOR	0.22uF 16V K	1	
C302		NCB21CK-224X-A	C CAPACITOR	0.22uF 16V K	1	
C303		NCB21CK-224X-A	C CAPACITOR	0.22uF 16V K	1	
C304		NCB21CK-224X-A	C CAPACITOR	0.22uF 16V K	1	
C309		QEKJ1CM-106Z	E CAPACITOR	10uF 16V M	1	
C311		NDC31HJ-680X	C CAPACITOR	68pF 50V J	1	
C312		NDC31HJ-680X	C CAPACITOR	68pF 50V J	1	
C313		NCB21AK-105X-A	C CAPACITOR	1uF 10V K	1	
C314		NCB31AK-105X	C CAPACITOR	1uF 10V K	1	
C315		NCB31AK-105X	C CAPACITOR	1uF 10V K	1	
C316		NDC31HJ-150X	C CAPACITOR	15pF 50V J	1	
C317		NDC31HJ-150X	C CAPACITOR	15pF 50V J	1	
C320		QEKJ1HM-106Z	E CAPACITOR	10uF 50V M	1	
C321		NDC31HJ-101X	C CAPACITOR	100pF 50V J	1	
C330		QEKJ1HM-106Z	E CAPACITOR	10uF 50V M	1	
C331		NDC31HJ-101X	C CAPACITOR	100pF 50V J	1	
C340		QEKJ1HM-106Z	E CAPACITOR	10uF 50V M	1	
C341		NDC31HJ-101X	C CAPACITOR	100pF 50V J	1	
C350		QEKJ1HM-106Z	E CAPACITOR	10uF 50V M	1	
C351		NDC31HJ-101X	C CAPACITOR	100pF 50V J	1	
C403		NDC31HJ-101X	C CAPACITOR	100pF 50V J	1	
C408		NDC31HJ-101X	C CAPACITOR	100pF 50V J	1	
C504		NCB31CK-105X	C CAPACITOR	1uF 16V K	1	
C505		NCB31HK-473X	C CAPACITOR	0.047uF 50V K	1	
C506		NCB31CK-224X	C CAPACITOR	0.22uF 16V K	1	
C507		NCB31HK-104X	C CAPACITOR	0.1uF 50V K	1	
C508		NDC31HJ-471X	C CAPACITOR	470pF 50V J	1	
C509		NDC31HJ-471X	C CAPACITOR	470pF 50V J	1	
C510		NDC31HJ-471X	C CAPACITOR	470pF 50V J	1	
C511		NCB31HK-472X	C CAPACITOR	4700pF 50V K	1	
C512		NCB31HK-472X	C CAPACITOR	4700pF 50V K	1	
C513		NCB31HK-104X	C CAPACITOR	0.1uF 50V K	1	
C514		QERF1AM-107Z	E CAPACITOR	100uF 10V M	1	
C517		NCB31HK-104X	C CAPACITOR	0.1uF 50V K	1	
C530		QEKJ0JM-476Z	E CAPACITOR	47uF 6.3V M	1	
C531		NCB31HK-104X	C CAPACITOR	0.1uF 50V K	1	
C532		QEKJ0JM-476Z	E CAPACITOR	47uF 6.3V M	1	
C533		NCB31HK-104X	C CAPACITOR	0.1uF 50V K	1	
C534		QEKJ0JM-476Z	E CAPACITOR	47uF 6.3V M	1	
C535		NCBA1CK-104W	C CAPACITOR	0.1uF 16V K	1	
C536		QERF0JM-476Z	E CAPACITOR	47uF 6.3V M	1	
C537		NDC31HJ-5R0X	C CAPACITOR	5pF 50V J	1	
C540		NCB31HK-104X	C CAPACITOR	0.1uF 50V K	1	
C541		NCB31HK-222X	C CAPACITOR	2200pF 50V K	1	
C542		NCBA1CK-104W	C CAPACITOR	0.1uF 16V K	1	
C543		NCBA1EK-103W	C CAPACITOR	0.01uF 25V K	1	
C544		NCB31HK-332X	C CAPACITOR	3300pF 50V K	1	
C545		NCB31HK-104X	C CAPACITOR	0.1uF 50V K	1	
C546		NCB31AK-105X	C CAPACITOR	1uF 10V K	1	
C547		NCB31HK-153X	C CAPACITOR	0.015uF 50V K	1	
C548		NDC31HJ-680X	C CAPACITOR	68pF 50V J	1	
C549		NCB31HK-104X	C CAPACITOR	0.1uF 50V K	1	
C550		NCB20JK-106X	C CAPACITOR	10uF 6.3V K	1	

MODEL	MARK
KDC-X497	

Safe	Symbol No.	Parts No.	Parts Name	Description	QTY	Local
	C551	NCB31HK-104X	C CAPACITOR	0.1uF 50V K	1	
	C552	NCB31HK-333X	C CAPACITOR	0.033uF 50V K	1	
	C553	NCB31HK-472X	C CAPACITOR	4700pF 50V K	1	
	C554	NDC31HJ-331X	C CAPACITOR	330pF 50V J	1	
	C555	NDC31HJ-681X	C CAPACITOR	680pF 50V J	1	
	C556	NCB31CK-683X	C CAPACITOR	0.068uF 16V K	1	
	C557	NCB31HK-333X	C CAPACITOR	0.033uF 50V K	1	
	C558	NCBA1CK-104W	C CAPACITOR	0.1uF 16V K	1	
	C559	NCB31HK-104X	C CAPACITOR	0.1uF 50V K	1	
	C560	NDCA1HJ-101W	C CAPACITOR	100pF 50V J	1	
	C561	NCB20JK-106X	C CAPACITOR	10uF 6.3V K	1	
	C562	NCB20JK-106X	C CAPACITOR	10uF 6.3V K	1	
	C563	NDCA1HJ-101W	C CAPACITOR	100pF 50V J	1	
	C564	NCB31HK-104X	C CAPACITOR	0.1uF 50V K	1	
	C565	NCBA1CK-104W	C CAPACITOR	0.1uF 16V K	1	
	C566	NCB31HK-104X	C CAPACITOR	0.1uF 50V K	1	
	C567	NCB31AK-105X	C CAPACITOR	1uF 10V K	1	
	C568	NCB31HK-104X	C CAPACITOR	0.1uF 50V K	1	
	C569	NCBA1CK-104W	C CAPACITOR	0.1uF 16V K	1	
	C570	NCB31HK-104X	C CAPACITOR	0.1uF 50V K	1	
	C571	NDCA1HJ-470W	C CAPACITOR	47pF 50V J	1	
	C572	NCB31HK-153X	C CAPACITOR	0.015uF 50V K	1	
	C573	NCB31HK-104X	C CAPACITOR	0.1uF 50V K	1	
	C574	NCBA1EK-103W	C CAPACITOR	0.01uF 25V K	1	
	C576	NCB31HK-152X	C CAPACITOR	1500pF 50V K	1	
	C582	NDC31HJ-101X	C CAPACITOR	100pF 50V J	1	
	C583	NDC31HJ-101X	C CAPACITOR	100pF 50V J	1	
	C584	QEKJ1HM-475Z	E CAPACITOR	4.7uF 50V M	1	
	C586	QEKJ1HM-475Z	E CAPACITOR	4.7uF 50V M	1	
	C700	NCB31HK-472X	C CAPACITOR	4700pF 50V K	1	
	C701	NDC31HJ-180X	C CAPACITOR	18pF 50V J	1	
	C702	NDC31HJ-180X	C CAPACITOR	18pF 50V J	1	
	C703	NCB31HK-103X	C CAPACITOR	0.01uF 50V K	1	
	C704	QERF1AM-227Z	E CAPACITOR	220uF 10V M	1	
	C705	NCBA1CK-104W	C CAPACITOR	0.1uF 16V K	1	
	C706	NCBA1AK-104W	C CAPACITOR	0.1uF 10V K	1	
	C707	NCB31CK-474X	C CAPACITOR	0.47uF 16V K	1	
	C708	NCB31HK-104X	C CAPACITOR	0.1uF 50V K	1	
	C710	NCB31CK-105X	C CAPACITOR	1uF 16V K	1	
	C711	NCB31HK-104X	C CAPACITOR	0.1uF 50V K	1	
	C712	NCBA1CK-104W	C CAPACITOR	0.1uF 16V K	1	
	C713	NCBA1CK-104W	C CAPACITOR	0.1uF 16V K	1	
	C714	NCBA1CK-104W	C CAPACITOR	0.1uF 16V K	1	
	C715	NCB31HK-104X	C CAPACITOR	0.1uF 50V K	1	
	C716	NCBA1CK-104W	C CAPACITOR	0.1uF 16V K	1	
	C717	NCBA1CK-104W	C CAPACITOR	0.1uF 16V K	1	
	C718	NCB31CK-474X	C CAPACITOR	0.47uF 16V K	1	
	C721	NCB31HK-472X	C CAPACITOR	4700pF 50V K	1	
	C722	NCJ11EK-106X-R	C CAPACITOR	10uF 25V	1	
	C724	NDC31HJ-120X	C CAPACITOR	12pF 50V J	1	
	C725	NDC31HJ-150X	C CAPACITOR	15pF 50V J	1	
	C729	NCJ11EK-106X-R	C CAPACITOR	10uF 25V	1	
	C731	NCJ11EK-106X-R	C CAPACITOR	10uF 25V	1	
	C765	NCB31HK-472X	C CAPACITOR	4700pF 50V K	1	
	C787	NCB31HK-472X	C CAPACITOR	4700pF 50V K	1	
	C891	NCB31HK-104X	C CAPACITOR	0.1uF 50V K	1	
	C901	QE20934-338	E CAPACITOR	3300uF	1	
	C903	QEKJ1CM-226Z	E CAPACITOR	22uF 16V M	1	
	C904	QERF1AM-227Z	E CAPACITOR	220uF 10V M	1	
	C905	NCBA1CK-104W	C CAPACITOR	0.1uF 16V K	1	
	C906	QEKJ1CM-107Z	E CAPACITOR	100uF 16V M	1	
	C907	QEKJ1CM-107Z	E CAPACITOR	100uF 16V M	1	
	C910	QEKJ1EM-106Z	E CAPACITOR	10uF 25V M	1	
	C912	NCBA1CK-104W	C CAPACITOR	0.1uF 16V K	1	
	C913	NCBA1CK-104W	C CAPACITOR	0.1uF 16V K	1	
	C914	NCJ11EK-106X-R	C CAPACITOR	10uF 25V	1	
	C916	NCJ11EK-106X-R	C CAPACITOR	10uF 25V	1	
	C917	NCB31HK-472X	C CAPACITOR	4700pF 50V K	1	
	C919	QERF1AM-107Z	E CAPACITOR	100uF 10V M	1	
	C921	NCB31CK-105X	C CAPACITOR	1uF 16V K	1	
	C922	NCB21AK-106X	C CAPACITOR	10uF 10V K	1	
	C923	QEKJ1CM-107Z	E CAPACITOR	100uF 16V M	1	
	C924	NCB31CK-105X	C CAPACITOR	1uF 16V K	1	
	C925	NCJ30JM-106X-A	C CAPACITOR	10uF 6.3V M	1	
	C931	NCB31HK-104X	C CAPACITOR	0.1uF 50V K	1	
	C932	QERF0JM-337Z	E CAPACITOR	330uF 6.3V M	1	
	C933	NCB31HK-104X	C CAPACITOR	0.1uF 50V K	1	
	C934	QERF0JM-337Z	E CAPACITOR	330uF 6.3V M	1	
	C941	NCB31HK-104X	C CAPACITOR	0.1uF 50V K	1	
	C954	NCB31HK-104X	C CAPACITOR	0.1uF 50V K	1	
	C958	NCB31CK-105X	C CAPACITOR	1uF 16V K	1	
	C962	QERF1AM-227Z	E CAPACITOR	220uF 10V M	1	
	C963	QEKJ1CM-107Z	E CAPACITOR	100uF 16V M	1	
	C970	NDC31HJ-220X	C CAPACITOR	22pF 50V J	1	
	C981	NCJ11EK-106X-R	C CAPACITOR	10uF 25V	1	
	C983	NCB31HK-682X	C CAPACITOR	6800pF 50V K	1	
	C984	NCB31HK-103X	C CAPACITOR	0.01uF 50V K	1	
	C985	NCJ11EK-106X-R	C CAPACITOR	10uF 25V	1	
	C986	NCJ11EK-106X-R	C CAPACITOR	10uF 25V	1	
	C987	NCJ11EK-106X-R	C CAPACITOR	10uF 25V	1	
	C988	NCB31HK-472X	C CAPACITOR	4700pF 50V K	1	
	C989	NCJ11EK-106X-R	C CAPACITOR	10uF 25V	1	
	C990	NCB31HK-104X	C CAPACITOR	0.1uF 50V K	1	
	C991	NDC31HJ-471X	C CAPACITOR	470pF 50V J	1	

MODEL	MARK
KDC-X497	

Safe	Symbol No.	Parts No.	Parts Name	Description	QTY	Local
	C992	NDC31HJ-471X	C CAPACITOR	470pF 50V J	1	
	C993	NDC31HJ-471X	C CAPACITOR	470pF 50V J	1	
	C994	NDC31HJ-471X	C CAPACITOR	470pF 50V J	1	
	C995	NDC31HJ-471X	C CAPACITOR	470pF 50V J	1	
	C996	NDC31HJ-471X	C CAPACITOR	470pF 50V J	1	
	C997	NDC31HJ-471X	C CAPACITOR	470pF 50V J	1	
	C998	NDC31HJ-471X	C CAPACITOR	470pF 50V J	1	
	R1	NRSA63J-221X	MG RESISTOR	220Ω 1/16W J	1	
	R3	NRSA63J-152X	MG RESISTOR	1.5kΩ 1/16W J	1	
	R4	NRSA63J-0R0X	MG RESISTOR	0Ω 1/10W J	1	
	R7	NRSA63J-0R0X	MG RESISTOR	0Ω 1/10W J	1	
	R9	NRSA63J-470X	MG RESISTOR	47Ω 1/16W J	1	
	R10	NRSA63J-470X	MG RESISTOR	47Ω 1/16W J	1	
	R11	NRSA63J-470X	MG RESISTOR	47Ω 1/16W J	1	
	R12	NRSA63J-470X	MG RESISTOR	47Ω 1/16W J	1	
	R13	NRSA63J-470X	MG RESISTOR	47Ω 1/16W J	1	
	R14	NRSA63J-511X	MG RESISTOR	510Ω 1/16W J	1	
	R15	NRSA63J-0R0X	MG RESISTOR	0Ω 1/10W J	1	
	R16	NRSA63J-511X	MG RESISTOR	510Ω 1/16W J	1	
	R17	NRSA63J-511X	MG RESISTOR	510Ω 1/16W J	1	
	R18	NRSA6AJ-330W	MG RESISTOR	33Ω 1/16W J	1	
	R19	NRSA6AJ-471W	MG RESISTOR	470Ω 1/16W J	1	
	R20	NRSA6AJ-0R0W	MG RESISTOR	0Ω 1/16W J	1	
	R22	NRSA6AJ-681W	MG RESISTOR	680Ω 1/16W J	1	
	R23	NRSA63J-0R0X	MG RESISTOR	0Ω 1/10W J	1	
	R24	NRS181J-0R0X	MG RESISTOR	0Ω 1/8W J	1	
	R25	NRS181J-0R0X	MG RESISTOR	0Ω 1/8W J	1	
	R26	NRSA6AJ-101W	MG RESISTOR	100Ω 1/16W J	1	
	R27	NRSA6AJ-101W	MG RESISTOR	100Ω 1/16W J	1	
	R29	NRS181J-0R0X	MG RESISTOR	0Ω 1/8W J	1	
	R30	NRS181J-220X	MG RESISTOR	22Ω 1/8W J	1	
	R31	NRS181J-220X	MG RESISTOR	22Ω 1/8W J	1	
	R32	NRSA63J-471X	MG RESISTOR	470Ω 1/16W J	1	
	R33	NRSA63J-106X	MG RESISTOR	10MΩ 1/16W J	1	
	R35	NRSA63J-0R0X	MG RESISTOR	0Ω 1/10W J	1	
	R37	NRSA6AJ-0R0W	MG RESISTOR	0Ω 1/16W J	1	
	R41	NRSA63J-102X	MG RESISTOR	1kΩ 1/16W J	1	
	R43	NRSA63J-0R0X	MG RESISTOR	0Ω 1/10W J	1	
	R44	NRSA63J-0R0X	MG RESISTOR	0Ω 1/10W J	1	
	R45	NRSA63J-0R0X	MG RESISTOR	0Ω 1/10W J	1	
	R46	NRS181J-0R0X	MG RESISTOR	0Ω 1/8W J	1	
	R47	NRSA63J-0R0X	MG RESISTOR	0Ω 1/10W J	1	
	R48	NRSA63J-0R0X	MG RESISTOR	0Ω 1/10W J	1	
	R49	NRSA63J-0R0X	MG RESISTOR	0Ω 1/10W J	1	
	R50	NRSA63J-0R0X	MG RESISTOR	0Ω 1/10W J	1	
	R51	NRSA63J-0R0X	MG RESISTOR	0Ω 1/10W J	1	
	R55	NRSA63J-0R0X	MG RESISTOR	0Ω 1/10W J	1	
	R57	NRSA63J-0R0X	MG RESISTOR	0Ω 1/10W J	1	
	R63	NRSA6AJ-105W	MG RESISTOR	1MΩ 1/16W J	1	
	R68	NRSA63J-474X	MG RESISTOR	470kΩ 1/16W J	1	
	R69	NRSA63J-474X	MG RESISTOR	470kΩ 1/16W J	1	
	R70	NRS181J-0R0X	MG RESISTOR	0Ω 1/8W J	1	
	R72	NRS181J-0R0X	MG RESISTOR	0Ω 1/8W J	1	
	R75	NRS181J-0R0X	MG RESISTOR	0Ω 1/8W J	1	
	R80	NRSA6AJ-101W	MG RESISTOR	100Ω 1/16W J	1	
	R81	NRSA6AJ-101W	MG RESISTOR	100Ω 1/16W J	1	
	R82	NRS181J-201X	MG RESISTOR	200Ω 1/8W J	1	
	R83	NRS181J-201X	MG RESISTOR	200Ω 1/8W J	1	
	R100	NRSA6AJ-0R0W	MG RESISTOR	0Ω 1/16W J	1	
	R101	NRSA6AJ-473W	MG RESISTOR	47kΩ 1/16W J	1	
	R102	NRSA6AJ-0R0W	MG RESISTOR	0Ω 1/16W J	1	
	R110	NRSA6AJ-0R0W	MG RESISTOR	0Ω 1/16W J	1	
	R111	NRSA6AJ-473W	MG RESISTOR	47kΩ 1/16W J	1	
	R112	NRSA63J-471X	MG RESISTOR	470Ω 1/16W J	1	
	R161	NRSA63J-103X	MG RESISTOR	10kΩ 1/16W J	1	
	R162	NRSA63J-0R0X	MG RESISTOR	0Ω 1/10W J	1	
	R163	NRSA63J-101X	MG RESISTOR	100Ω 1/16W J	1	
	R165	NRSA63J-101X	MG RESISTOR	100Ω 1/16W J	1	
	R168	NRSA6AJ-0R0W	MG RESISTOR	0Ω 1/16W J	1	
	R169	NRSA6AJ-0R0W	MG RESISTOR	0Ω 1/16W J	1	
	R170	NRSA6AJ-0R0W	MG RESISTOR	0Ω 1/16W J	1	
	R171	NRSA63J-0R0X	MG RESISTOR	0Ω 1/10W J	1	
	R173	NRS181J-0R0X	MG RESISTOR	0Ω 1/8W J	1	
	R174	NRSA63J-222X	MG RESISTOR	2.2kΩ 1/16W J	1	
	R175	NRSA63J-0R0X	MG RESISTOR	0Ω 1/10W J	1	
	R176	NRSA63J-0R0X	MG RESISTOR	0Ω 1/10W J	1	
	R179	NRSA63J-0R0X	MG RESISTOR	0Ω 1/10W J	1	
	R180	NRSA63J-0R0X	MG RESISTOR	0Ω 1/10W J	1	
	R251	NRSA6AJ-102W	MG RESISTOR	1kΩ 1/16W J	1	
	R252	NRSA6AJ-102W	MG RESISTOR	1kΩ 1/16W J	1	
	R253	NRSA63J-331X	MG RESISTOR	330Ω 1/16W J	1	
	R254	NRSA63J-331X	MG RESISTOR	330Ω 1/16W J	1	
	R255	NRSA63J-223X	MG RESISTOR	22kΩ 1/16W J	1	
	R256	NRSA63J-223X	MG RESISTOR	22kΩ 1/16W J	1	
	R257	NRSA63J-181X	MG RESISTOR	180Ω 1/16W J	1	
	R258	NRSA63J-181X	MG RESISTOR	180Ω 1/16W J	1	
	R301	NRSA6AJ-473W	MG RESISTOR	47kΩ 1/16W J	1	
	R302	NRSA6AJ-473W	MG RESISTOR	47kΩ 1/16W J	1	
	R304	NRSA6AJ-0R0W	MG RESISTOR	0Ω 1/16W J	1	
	R307	NRSA63J-0R0X	MG RESISTOR	0Ω 1/10W J	1	
	R308	NRSA6AJ-0R0W	MG RESISTOR	0Ω 1/16W J	1	
	R310	NRS181J-5R1X	MG RESISTOR	5.1Ω 1/8W J	1	
	R311	NRSA63J-0R0X	MG RESISTOR	0Ω 1/10W J	1	
	R312	NRSA63J-0R0X	MG RESISTOR	0Ω 1/10W J	1	
	R313	NRSA63J-0R0X	MG RESISTOR	0Ω 1/10W J	1	

MODEL	MARK
KDC-X497	

Safe	Symbol No.	Parts No.	Parts Name	Description	QTY	Local
	R314	NRSA63J-0R0X	MG RESISTOR	0Ω 1/10W J	1	
	R315	NRSA63J-0R0X	MG RESISTOR	0Ω 1/10W J	1	
	R316	NRSA63J-0R0X	MG RESISTOR	0Ω 1/10W J	1	
	R317	NRSA63J-0R0X	MG RESISTOR	0Ω 1/10W J	1	
	R318	NRSA63J-0R0X	MG RESISTOR	0Ω 1/10W J	1	
	R319	NRSA63J-222X	MG RESISTOR	2.2kΩ 1/16W J	1	
	R320	NRSA63J-331X	MG RESISTOR	330Ω 1/16W J	1	
	R321	NRSA63J-223X	MG RESISTOR	22kΩ 1/16W J	1	
	R322	NRSA63J-181X	MG RESISTOR	180Ω 1/16W J	1	
	R324	NRSA6AJ-0R0W	MG RESISTOR	0Ω 1/16W J	1	
	R326	NRSA6AJ-0R0W	MG RESISTOR	0Ω 1/16W J	1	
	R328	NRSA63J-0R0X	MG RESISTOR	0Ω 1/10W J	1	
	R330	NRSA63J-331X	MG RESISTOR	330Ω 1/16W J	1	
	R331	NRSA63J-223X	MG RESISTOR	22kΩ 1/16W J	1	
	R332	NRSA63J-181X	MG RESISTOR	180Ω 1/16W J	1	
	R340	NRSA63J-331X	MG RESISTOR	330Ω 1/16W J	1	
	R341	NRSA63J-223X	MG RESISTOR	22kΩ 1/16W J	1	
	R342	NRSA63J-181X	MG RESISTOR	180Ω 1/16W J	1	
	R347	NRSA6AJ-102W	MG RESISTOR	1kΩ 1/16W J	1	
	R349	NRSA6AJ-102W	MG RESISTOR	1kΩ 1/16W J	1	
	R350	NRSA63J-331X	MG RESISTOR	330Ω 1/16W J	1	
	R351	NRSA63J-223X	MG RESISTOR	22kΩ 1/16W J	1	
	R352	NRSA63J-181X	MG RESISTOR	180Ω 1/16W J	1	
	R357	NRSA6AJ-102W	MG RESISTOR	1kΩ 1/16W J	1	
	R358	NRSA63J-102X	MG RESISTOR	1kΩ 1/16W J	1	
	R400	NRSA63J-0R0X	MG RESISTOR	0Ω 1/10W J	1	
	R401	NRSA63J-0R0X	MG RESISTOR	0Ω 1/10W J	1	
	R402	NRSA63J-0R0X	MG RESISTOR	0Ω 1/10W J	1	
	R409	NRSA63J-102X	MG RESISTOR	1kΩ 1/16W J	1	
	R410	NRSA63J-102X	MG RESISTOR	1kΩ 1/16W J	1	
	R411	NRSA63J-0R0X	MG RESISTOR	0Ω 1/10W J	1	
	R502	NRSA6AJ-101W	MG RESISTOR	100Ω 1/16W J	1	
	R503	NRSA6AJ-101W	MG RESISTOR	100Ω 1/16W J	1	
	R504	NRSA63J-274X	MG RESISTOR	270kΩ 1/16W J	1	
	R505	NRSA63J-104X	MG RESISTOR	100kΩ 1/16W J	1	
	R506	NRSA63J-303X	MG RESISTOR	30kΩ 1/16W J	1	
	R507	NRSA63J-563X	MG RESISTOR	56kΩ 1/16W J	1	
	R508	NRSA63J-0R0X	MG RESISTOR	0Ω 1/10W J	1	
	R509	NRSA63J-0R0X	MG RESISTOR	0Ω 1/10W J	1	
	R510	NRSA63J-0R0X	MG RESISTOR	0Ω 1/10W J	1	
	R511	NRSA63J-133X	MG RESISTOR	13kΩ 1/16W J	1	
	R512	NRSA63J-0R0X	MG RESISTOR	0Ω 1/10W J	1	
	R513	NRS181J-0R0X	MG RESISTOR	0Ω 1/8W J	1	
	R516	NRSA63J-333X	MG RESISTOR	33kΩ 1/16W J	1	
	R517	NRSA63J-473X	MG RESISTOR	47kΩ 1/16W J	1	
	R518	NRSA63J-0R0X	MG RESISTOR	0Ω 1/10W J	1	
	R519	NRSA6AJ-273W	MG RESISTOR	27kΩ 1/16W J	1	
	R520	NRSA63J-473X	MG RESISTOR	47kΩ 1/16W J	1	
	R522	NRSA6AJ-114W	MG RESISTOR	110kΩ 1/16W J	1	
	R530	NRSA6AJ-0R0W	MG RESISTOR	0Ω 1/16W J	1	
	R537	NRSA63J-100X	MG RESISTOR	10Ω 1/16W J	1	
	R540	NRSA63J-221X	MG RESISTOR	220Ω 1/16W J	1	
	R541	NRSA6AJ-0R0W	MG RESISTOR	0Ω 1/16W J	1	
	R542	NRSA63J-0R0X	MG RESISTOR	0Ω 1/10W J	1	
	R543	NRSA6AJ-0R0W	MG RESISTOR	0Ω 1/16W J	1	
	R545	NRSA63J-225X	MG RESISTOR	2.2MΩ 1/16W J	1	
	R547	NRSA63J-4R7X	MG RESISTOR	4.7Ω 1/16W J	1	
	R548	NRSA63J-104X	MG RESISTOR	100kΩ 1/16W J	1	
	R549	NRSA63J-102X	MG RESISTOR	1kΩ 1/16W J	1	
	R550	NRSA6AJ-472W	MG RESISTOR	4.7kΩ 1/16W J	1	
	R551	NRSA63J-0R0X	MG RESISTOR	0Ω 1/10W J	1	
	R552	NRSA63J-0R0X	MG RESISTOR	0Ω 1/10W J	1	
	R553	NRSA63J-473X	MG RESISTOR	47kΩ 1/16W J	1	
	R554	NRSA63J-4R7X	MG RESISTOR	4.7Ω 1/16W J	1	
	R555	NRSA63J-4R7X	MG RESISTOR	4.7Ω 1/16W J	1	
	R556	NRSA63J-0R0X	MG RESISTOR	0Ω 1/10W J	1	
	R557	NRSA63J-471X	MG RESISTOR	470Ω 1/16W J	1	
	R558	NRSA63J-105X	MG RESISTOR	1MΩ 1/16W J	1	
	R559	NRSA63J-101X	MG RESISTOR	100Ω 1/16W J	1	
	R560	NRSA63J-101X	MG RESISTOR	100Ω 1/16W J	1	
	R561	NRSA63J-101X	MG RESISTOR	100Ω 1/16W J	1	
	R562	NRSA63J-131X	MG RESISTOR	130Ω 1/16W J	1	
	R563	NRSA63J-131X	MG RESISTOR	130Ω 1/16W J	1	
	R564	NRSA63J-131X	MG RESISTOR	130Ω 1/16W J	1	
	R565	NRSA63J-103X	MG RESISTOR	10kΩ 1/16W J	1	
	R566	NRSA63J-103X	MG RESISTOR	10kΩ 1/16W J	1	
	R567	NRSA6AJ-101W	MG RESISTOR	100Ω 1/16W J	1	
	R568	NRSA6AJ-101W	MG RESISTOR	100Ω 1/16W J	1	
	R569	NRSA6AJ-101W	MG RESISTOR	100Ω 1/16W J	1	
	R570	NRSA6AJ-101W	MG RESISTOR	100Ω 1/16W J	1	
	R571	NRSA6AJ-103W	MG RESISTOR	10kΩ 1/16W J	1	
	R572	NRSA6AJ-104W	MG RESISTOR	100kΩ 1/16W J	1	
	R573	NRSA63J-334X	MG RESISTOR	330kΩ 1/16W J	1	
	R574	NRSA63J-153X	MG RESISTOR	15kΩ 1/16W J	1	
	R575	NRS181J-332X	MG RESISTOR	3.3kΩ 1/8W J	1	
	R576	NRSA63J-103X	MG RESISTOR	10kΩ 1/16W J	1	
	R577	NRSA63J-103X	MG RESISTOR	10kΩ 1/16W J	1	
	R580	NRSA6AJ-102W	MG RESISTOR	1kΩ 1/16W J	1	
	R586	NRSA6AJ-102W	MG RESISTOR	1kΩ 1/16W J	1	
	R595	NRSA6AJ-0R0W	MG RESISTOR	0Ω 1/16W J	1	
	R596	NRSA6AJ-0R0W	MG RESISTOR	0Ω 1/16W J	1	
	R698	NRSA63J-103X	MG RESISTOR	10kΩ 1/16W J	1	
	R699	NRSA6AJ-103W	MG RESISTOR	10kΩ 1/16W J	1	
	R701	NRSA63J-0R0X	MG RESISTOR	0Ω 1/10W J	1	

MODEL	MARK
KDC-X497	

Safe	Symbol No.	Parts No.	Parts Name	Description	QTY	Local
	R702	NRSA63J-222X	MG RESISTOR	2.2kΩ 1/16W J	1	
	R703	NRSA63J-101X	MG RESISTOR	100Ω 1/16W J	1	
	R704	NRSA63J-101X	MG RESISTOR	100Ω 1/16W J	1	
	R706	NRSA63J-101X	MG RESISTOR	100Ω 1/16W J	1	
	R707	NRSA6AJ-101W	MG RESISTOR	100Ω 1/16W J	1	
	R708	NRSA63J-820X	MG RESISTOR	82Ω 1/16W J	1	
	R709	NRSA6AJ-101W	MG RESISTOR	100Ω 1/16W J	1	
	R710	NRSA6AJ-101W	MG RESISTOR	100Ω 1/16W J	1	
	R711	NRSA63J-101X	MG RESISTOR	100Ω 1/16W J	1	
	R712	NRSA6AJ-101W	MG RESISTOR	100Ω 1/16W J	1	
	R713	NRSA63J-820X	MG RESISTOR	82Ω 1/16W J	1	
	R714	NRSA6AJ-101W	MG RESISTOR	100Ω 1/16W J	1	
	R715	NRSA63J-820X	MG RESISTOR	82Ω 1/16W J	1	
	R716	NRSA6AJ-101W	MG RESISTOR	100Ω 1/16W J	1	
	R717	NRSA6AJ-101W	MG RESISTOR	100Ω 1/16W J	1	
	R718	NRSA63J-473X	MG RESISTOR	47kΩ 1/16W J	1	
	R719	NRSA63J-473X	MG RESISTOR	47kΩ 1/16W J	1	
	R720	NRSA63J-473X	MG RESISTOR	47kΩ 1/16W J	1	
	R721	NRSA6AJ-105W	MG RESISTOR	1MΩ 1/16W J	1	
	R722	NRSA6AJ-473W	MG RESISTOR	47kΩ 1/16W J	1	
	R723	NRSA63J-473X	MG RESISTOR	47kΩ 1/16W J	1	
	R725	NRSA63J-473X	MG RESISTOR	47kΩ 1/16W J	1	
	R726	NRSA63J-473X	MG RESISTOR	47kΩ 1/16W J	1	
	R727	NRSA63J-473X	MG RESISTOR	47kΩ 1/16W J	1	
	R728	NRSA63J-473X	MG RESISTOR	47kΩ 1/16W J	1	
	R730	NRSA6AJ-473W	MG RESISTOR	47kΩ 1/16W J	1	
	R731	NRSA6AJ-473W	MG RESISTOR	47kΩ 1/16W J	1	
	R732	NRSA63J-472X	MG RESISTOR	4.7kΩ 1/16W J	1	
	R733	NRSA63J-473X	MG RESISTOR	47kΩ 1/16W J	1	
	R735	NRSA63J-473X	MG RESISTOR	47kΩ 1/16W J	1	
	R736	NRSA6AJ-473W	MG RESISTOR	47kΩ 1/16W J	1	
	R737	NRSA63J-101X	MG RESISTOR	100Ω 1/16W J	1	
	R738	NRSA6AJ-222W	MG RESISTOR	2.2kΩ 1/16W J	1	
	R739	NRSA6AJ-103W	MG RESISTOR	10kΩ 1/16W J	1	
	R740	NRSA6AJ-103W	MG RESISTOR	10kΩ 1/16W J	1	
	R741	NRSA63J-103X	MG RESISTOR	10kΩ 1/16W J	1	
	R742	NRSA6AJ-473W	MG RESISTOR	47kΩ 1/16W J	1	
	R743	NRSA63J-473X	MG RESISTOR	47kΩ 1/16W J	1	
	R745	NRSA6AJ-101W	MG RESISTOR	100Ω 1/16W J	1	
	R746	NRSA63J-473X	MG RESISTOR	47kΩ 1/16W J	1	
	R747	NRSA6AJ-243W	MG RESISTOR	24kΩ 1/16W J	1	
	R748	NRSA63J-473X	MG RESISTOR	47kΩ 1/16W J	1	
	R749	NRSA6AJ-332W	MG RESISTOR	3.3kΩ 1/16W J	1	
	R750	NRSA63J-332X	MG RESISTOR	3.3kΩ 1/16W J	1	
	R751	NRSA6AJ-223W	MG RESISTOR	22kΩ 1/16W J	1	
	R752	NRSA63J-223X	MG RESISTOR	22kΩ 1/16W J	1	
	R753	NRSA63J-332X	MG RESISTOR	3.3kΩ 1/16W J	1	
	R754	NRSA63J-332X	MG RESISTOR	3.3kΩ 1/16W J	1	
	R755	NRSA63J-473X	MG RESISTOR	47kΩ 1/16W J	1	
	R756	NRSA63J-473X	MG RESISTOR	47kΩ 1/16W J	1	
	R757	NRSA6AJ-104W	MG RESISTOR	100kΩ 1/16W J	1	
	R758	NRSA6AJ-104W	MG RESISTOR	100kΩ 1/16W J	1	
	R759	NRSA6AJ-473W	MG RESISTOR	47kΩ 1/16W J	1	
	R760	NRSA6AJ-821W	MG RESISTOR	820Ω 1/16W J	1	
	R761	NRSA63J-101X	MG RESISTOR	100Ω 1/16W J	1	
	R763	NRSA6AJ-473W	MG RESISTOR	47kΩ 1/16W J	1	
	R764	NRSA63J-223X	MG RESISTOR	22kΩ 1/16W J	1	
	R766	NRSA63J-273X	MG RESISTOR	27kΩ 1/16W J	1	
	R767	NRSA63J-473X	MG RESISTOR	47kΩ 1/16W J	1	
	R768	NRSA6AJ-473W	MG RESISTOR	47kΩ 1/16W J	1	
	R769	NRSA6AJ-473W	MG RESISTOR	47kΩ 1/16W J	1	
	R771	NRSA63D-472X	MG RESISTOR	4.7kΩ 1/16W D	1	
	R772	NRSA6AJ-472W	MG RESISTOR	4.7kΩ 1/16W J	1	
	R773	NRSA63D-472X	MG RESISTOR	4.7kΩ 1/16W D	1	
	R774	NRSA63J-472X	MG RESISTOR	4.7kΩ 1/16W J	1	
	R775	NRSA63J-153X	MG RESISTOR	15kΩ 1/16W J	1	
	R776	NRSA63J-153X	MG RESISTOR	15kΩ 1/16W J	1	
	R777	NRSA63J-102X	MG RESISTOR	1kΩ 1/16W J	1	
	R778	NRSA6AJ-271W	MG RESISTOR	270Ω 1/16W J	1	
	R779	NRSA63J-271X	MG RESISTOR	270Ω 1/16W J	1	
	R780	NRSA6AJ-473W	MG RESISTOR	47kΩ 1/16W J	1	
	R781	NRSA6AJ-331W	MG RESISTOR	330Ω 1/16W J	1	
	R782	NRSA63J-104X	MG RESISTOR	100kΩ 1/16W J	1	
	R783	NRSA63J-103X	MG RESISTOR	10kΩ 1/16W J	1	
	R785	NRSA6AJ-273W	MG RESISTOR	27kΩ 1/16W J	1	
	R786	NRSA63J-0R0X	MG RESISTOR	0Ω 1/10W J	1	
	R790	NRSA6AJ-101W	MG RESISTOR	100Ω 1/16W J	1	
	R791	NRSA63J-472X	MG RESISTOR	4.7kΩ 1/16W J	1	
	R792	NRSA6AJ-103W	MG RESISTOR	10kΩ 1/16W J	1	
	R796	NRSA63J-0R0X	MG RESISTOR	0Ω 1/10W J	1	
	R797	NRSA63J-0R0X	MG RESISTOR	0Ω 1/10W J	1	
	R798	NRSA63J-270X	MG RESISTOR	27Ω 1/16W J	1	
	R799	NRSA63J-270X	MG RESISTOR	27Ω 1/16W J	1	
	R802	NRSA6AJ-473W	MG RESISTOR	47kΩ 1/16W J	1	
	R809	NRSA63J-472X	MG RESISTOR	4.7kΩ 1/16W J	1	
	R811	NRSA63J-122X	MG RESISTOR	1.2kΩ 1/16W J	1	
	R812	NRSA63J-472X	MG RESISTOR	4.7kΩ 1/16W J	1	
	R814	NRS181J-101X	MG RESISTOR	100Ω 1/8W J	1	
	R815	NRSA63J-222X	MG RESISTOR	2.2kΩ 1/16W J	1	
	R818	NRS181J-0R0X	MG RESISTOR	0Ω 1/8W J	1	
	R819	NRSA6AJ-101W	MG RESISTOR	100Ω 1/16W J	1	
	R820	NRSA6AJ-101W	MG RESISTOR	100Ω 1/16W J	1	
	R891	NRSA63J-103X	MG RESISTOR	10kΩ 1/16W J	1	
	R892	NRSA63J-683X	MG RESISTOR	68kΩ 1/16W J	1	

MODEL	MARK
KDC-X497	

Safe	Symbol No.	Parts No.	Parts Name	Description	QTY	Local
	R893	NRSA63J-123X	MG RESISTOR	12kΩ 1/16W J	1	
	R894	NRSA63J-0R0X	MG RESISTOR	0Ω 1/10W J	1	
	R900	NRS181J-0R0X	MG RESISTOR	0Ω 1/8W J	1	
	R901	NRS181J-103X	MG RESISTOR	10kΩ 1/8W J	1	
	R902	NRS181J-682X	MG RESISTOR	6.8kΩ 1/8W J	1	
	R903	NRS181J-682X	MG RESISTOR	6.8kΩ 1/8W J	1	
	R905	NRSA63J-103X	MG RESISTOR	10kΩ 1/16W J	1	
	R906	NRSA63J-562X	MG RESISTOR	5.6kΩ 1/16W J	1	
	R907	NRSA63J-155X	MG RESISTOR	1.5MΩ 1/16W J	1	
	R908	NRSA63D-472X	MG RESISTOR	4.7kΩ 1/16W D	1	
	R909	NRSA63D-273X	MG RESISTOR	27kΩ 1/16W D	1	
	R912	NRS181J-0R0X	MG RESISTOR	0Ω 1/8W J	1	
	R914	NRSA6AJ-0R0W	MG RESISTOR	0Ω 1/16W J	1	
	R915	NRS181J-0R0X	MG RESISTOR	0Ω 1/8W J	1	
	R917	NRSA63J-0R0X	MG RESISTOR	0Ω 1/10W J	1	
	R920	NRS181J-0R0X	MG RESISTOR	0Ω 1/8W J	1	
	R921	NRS181J-0R0X	MG RESISTOR	0Ω 1/8W J	1	
	R924	NRS181J-0R0X	MG RESISTOR	0Ω 1/8W J	1	
	R925	NRS181J-0R0X	MG RESISTOR	0Ω 1/8W J	1	
	R927	NRS181J-0R0X	MG RESISTOR	0Ω 1/8W J	1	
	R930	NRSA63J-0R0X	MG RESISTOR	0Ω 1/10W J	1	
	R935	NRS124J-100X	MG RESISTOR	10Ω 1/2W J	1	
	R938	NRS124J-100X	MG RESISTOR	10Ω 1/2W J	1	
	R939	NRS124J-100X	MG RESISTOR	10Ω 1/2W J	1	
	R940	NRS181J-0R0X	MG RESISTOR	0Ω 1/8W J	1	
	R941	NRS181J-472X	MG RESISTOR	4.7kΩ 1/8W J	1	
	R951	NRSA63J-102X	MG RESISTOR	1kΩ 1/16W J	1	
	R952	NRSA63J-331X	MG RESISTOR	330Ω 1/16W J	1	
	R959	NRS181J-0R0X	MG RESISTOR	0Ω 1/8W J	1	
	R970	NRSA63J-473X	MG RESISTOR	47kΩ 1/16W J	1	
	R971	NRSA63J-103X	MG RESISTOR	10kΩ 1/16W J	1	
	R972	NRSA63J-103X	MG RESISTOR	10kΩ 1/16W J	1	
	R973	NRSA63J-203X	MG RESISTOR	20kΩ 1/16W J	1	
	R974	NRSA6AJ-473W	MG RESISTOR	47kΩ 1/16W J	1	
	R975	NRSA63J-473X	MG RESISTOR	47kΩ 1/16W J	1	
	R976	NRSA63J-683X	MG RESISTOR	68kΩ 1/16W J	1	
	R983	NRSA63J-103X	MG RESISTOR	10kΩ 1/16W J	1	
	R986	NRSA63D-243X	MG RESISTOR	24kΩ 1/16W D	1	
	R987	NRSA63D-224X	MG RESISTOR	220kΩ 1/16W D	1	
	R989	NRSA63D-913X	MG RESISTOR	91kΩ 1/16W D	1	
	L1	NQLK15J-R15X	COIL	0.15uH J	1	
	L2	NQLK15J-R33X	COIL	0.33uH J	1	
	L3	NQL103J-10NX	COIL	10nH J	1	
	L5	NQL382M-470X	COIL	47uH M	1	
	L6	NQL114K-100X	PEAKING COIL	10uH K	1	
	L7	NQL093K-R47X	PEAKING COIL	0.47uH K	1	
	L8	NQL093K-1R8X	PEAKING COIL	1.8uH K	1	
	L9	NQL79GM-1R0X	COIL	1uH M	1	
	L10	NQL093K-R22X	PEAKING COIL	0.22uH K	1	
	L11	NQR0684-001X	FERRITE BEADS		1	
	L13	NQR0593-002X	FERRITE BEADS		1	
	L14	NQL79GM-1R0X	COIL	1uH M	1	
	L15	NQR0593-002X	FERRITE BEADS		1	
	L16	NQL093K-R22X	PEAKING COIL	0.22uH K	1	
	L17	NQR0593-002X	FERRITE BEADS		1	
	L18	NQR0593-002X	FERRITE BEADS		1	
	L161	NQL553J-27NX	COIL	27nH J	1	
	L532	NQR0154-006X	FERRITE BEADS		1	
	L533	NQR0154-006X	FERRITE BEADS		1	
	L534	NQR0154-006X	FERRITE BEADS		1	
	L701	NQL79GM-4R7X	COIL	4.7uH M	1	
	L702	NQR0154-006X	FERRITE BEADS		1	
	L703	NQR0154-006X	FERRITE BEADS		1	
	L794	NQR0154-006X	FERRITE BEADS		1	
	L795	NQR0154-006X	FERRITE BEADS		1	
	L901	QQR1882-001	CHOKE COIL		1	
	L962	NQLH25M-4R7X	COIL	4.7uH M	1	
	L981	QQL92AK-150Z	COIL	15uH K	1	
	L982	QQL92AK-100Z	COIL	10uH K	1	
	CN502	QGF1049F1-26X	CONNECTOR	FFC/FPC (1-26)	1	
	CN701	QGZ1102J1-20	CONNECTOR	(1-20)	1	
	CN901	QNZ0607-001	CAR CONNECTOR		1	
	J1	QNB0358-001	ANT TERMINAL		1	
	J321	QNN0866-001	PIN JACK		1	
	S701	QSW0648-001Z	TACT SWITCH		1	
	X1	NAX1117-001X	CRYSTAL		1	
	X540	QAX0929-001Z	C RESONATOR		1	
	X701	QAX0968-001Z	CRYSTAL		1	
	X702	QAX0401-001	CRYSTAL	32.768KHz	1	
HD PROCESSOR UNIT (A590 IN X34-UNIT) <A590>						
△	IC101	STA680Q	IC (MOS-IC)		1	
△	IC151	GEU03533-01A	IC (SV-ROM)		1	
△	IC191	M12L1281687TG2	IC (SV-DRAM)		1	
	C101	CK73GB1C105K	CHIP C	1.0UF K	1	
	C102	CK73GB1H471K	CHIP C	470PF K	1	
	C103	CK73GB1C104K	CHIP C	0.10UF K	1	
	C104	CK73GB1C104K	CHIP C	0.10UF K	1	
	C105	CK73GB1C104K	CHIP C	0.10UF K	1	
	C106	CK73GB1C104K	CHIP C	0.10UF K	1	
	C107	CK73GB1C104K	CHIP C	0.10UF K	1	
	C108	CK73GB1C104K	CHIP C	0.10UF K	1	
	C109	CK73GB1C104K	CHIP C	0.10UF K	1	
	C110	CK73GB1C104K	CHIP C	0.10UF K	1	
	C111	CK73GB1C104K	CHIP C	0.10UF K	1	
	C112	CK73GB1C104K	CHIP C	0.10UF K	1	

MODEL	MARK
KDC-X497	

Safe	Symbol No.	Parts No.	Parts Name	Description	QTY	Local
	C113	CK73GB1C104K	CHIP C	0.10UF K	1	
	C114	CK73GB1C104K	CHIP C	0.10UF K	1	
	C115	CK73GB1C104K	CHIP C	0.10UF K	1	
	C116	CK73GB1C104K	CHIP C	0.10UF K	1	
	C117	CK73FB0J106K	CHIP C	10UF K	1	
	C118	CK73FB0J106K	CHIP C	10UF K	1	
	C119	CK73GB1C104K	CHIP C	0.10UF K	1	
	C120	CK73GB1C104K	CHIP C	0.10UF K	1	
	C121	CK73GB1C104K	CHIP C	0.10UF K	1	
	C122	CK73GB1C104K	CHIP C	0.10UF K	1	
	C124	CK73GB1C104K	CHIP C	0.10UF K	1	
	C125	CK73GB1C104K	CHIP C	0.10UF K	1	
	C126	CK73GB1C104K	CHIP C	0.10UF K	1	
	C127	CK73GB1C104K	CHIP C	0.10UF K	1	
	C128	CK73GB1C104K	CHIP C	0.10UF K	1	
	C129	CK73GB1C104K	CHIP C	0.10UF K	1	
	C130	CK73GB1C104K	CHIP C	0.10UF K	1	
	C131	CK73GB1C104K	CHIP C	0.10UF K	1	
	C132	CK73GB1C104K	CHIP C	0.10UF K	1	
	C133	CK73GB1C104K	CHIP C	0.10UF K	1	
	C134	CK73GB1C104K	CHIP C	0.10UF K	1	
	C135	CK73GB1C104K	CHIP C	0.10UF K	1	
	C136	CC73GCH1H030C	CHIP C	3.0PF C	1	
	C137	CC73GCH1H040C	CHIP C	4.0PF C	1	
	C138	CK73FB0J106K	CHIP C	10UF K	1	
	C144	CC73GCH1H680J	CHIP C	68PF J	1	
	C145	CC73GCH1H680J	CHIP C	68PF J	1	
	C146	CC73GCH1H680J	CHIP C	68PF J	1	
	C147	CK73GB1C104K	CHIP C	0.10UF K	1	
	C150	CK73GB1C104K	CHIP C	0.10UF K	1	
	C151	CK73GB1C104K	CHIP C	0.10UF K	1	
	C152	CK73GB1C104K	CHIP C	0.10UF K	1	
	C153	CK73GB1C104K	CHIP C	0.10UF K	1	
	C154	CK73GB1C104K	CHIP C	0.10UF K	1	
	C155	CK73GB1C104K	CHIP C	0.10UF K	1	
	C156	CK73GB1C104K	CHIP C	0.10UF K	1	
	R104	RK73GB2A470J	CHIP R	47 J 1/10W	1	
	R105	RK73GB2A470J	CHIP R	47 J 1/10W	1	
	R106	RK73GB2A471J	CHIP R	470 J 1/10W	1	
	R108	RK73GB2A470J	CHIP R	47 J 1/10W	1	
	R109	RK73GB2A470J	CHIP R	47 J 1/10W	1	
	R110	RK73GB2A103J	CHIP R	10K J 1/10W	1	
	R111	RK73GB2A103J	CHIP R	10K J 1/10W	1	
	R112	RK73GB2A103J	CHIP R	10K J 1/10W	1	
	R113	RK73GB2A750J	CHIP R	75 J 1/10W	1	
	R114	RK73GB2A102J	CHIP R	1.0K J 1/10W	1	
	R115	RK73GB2A270J	CHIP R	27 J 1/10W	1	
	R116	RK73GB2A470J	CHIP R	47 J 1/10W	1	
	R117	RK73GB2A103J	CHIP R	10K J 1/10W	1	
	R118	RK73GB2A103J	CHIP R	10K J 1/10W	1	
	R122	RK73GB2A000J	CHIP R	0.0 J 1/10W	1	
	RA101	RK74HB1J470J	CHIP-COM	47 J 1/16W	1	
	RA102	RK74HB1J470J	CHIP-COM	47 J 1/16W	1	
	RA103	RK74HB1J470J	CHIP-COM	47 J 1/16W	1	
	RA104	RK74HB1J470J	CHIP-COM	47 J 1/16W	1	
	RA105	RK74HB1J470J	CHIP-COM	47 J 1/16W	1	
	RA106	RK74HB1J470J	CHIP-COM	47 J 1/16W	1	
	RA107	RK74HB1J470J	CHIP-COM	47 J 1/16W	1	
	RA108	RK74HB1J470J	CHIP-COM	47 J 1/16W	1	
	RA109	RK74HB1J470J	CHIP-COM	47 J 1/16W	1	
	RA111	RK74HB1J470J	CHIP-COM	47 J 1/16W	1	
	RA112	RK74HB1J470J	CHIP-COM	47 J 1/16W	1	
	RA113	RK74HB1J470J	CHIP-COM	47 J 1/16W	1	
	L101	L40-1891-86	SMALL FIXED INDUCTOR		1	
	L102	L40-1891-86	SMALL FIXED INDUCTOR		1	
	CN101	E41-3220-08	FLAT CABLE CONNECTOR		1	
	CN102	E41-3221-08	PIN ASSY		1	
	X101	NAX1116-001X	CRYSTAL RESONATOR		1	
SWITCH UNIT (X16-7390-14) <X16>						
	IC601	PCA9633DP1-X	IC (MOS-IC)		1	
	IC602	KSM-2003TN5B	IR SENSOR		1	
	IC603	TPS2065CDBV-X	IC (MOS-IC)		1	
	Q601	LTA014EUB-X	DIGI TRANSISTOR		1	
	Q602	LTA014EUB-X	DIGI TRANSISTOR		1	
	Q603	LTA014EUB-X	DIGI TRANSISTOR		1	
	Q604	LTA014EUB-X	DIGI TRANSISTOR		1	
	Q605	LTC014EUB-X	DIGI TRANSISTOR		1	
	Q643	LSCR523UB-X	TRANSISTOR		1	
	Q644	LSCR523UB-X	TRANSISTOR		1	
	Q645	LSCR523UB-X	TRANSISTOR		1	
	D601	RKZ5.1B2KG-X	Z DIODE		1	
	D602	RKZ5.1B2KG-X	Z DIODE		1	
	D603	RKZ5.1B2KG-X	Z DIODE		1	
	D604	RKZ5.1B2KG-X	Z DIODE		1	
	D605	RKZ5.1B2KG-X	Z DIODE		1	
	D606	RKZ5.1B2KG-X	Z DIODE		1	
	D607	RKZ5.1B2KG-X	Z DIODE		1	
	D608	RKZ5.1B2KG-X	Z DIODE		1	
	D609	RKZ5.1B2KG-X	Z DIODE		1	

MODEL	MARK
KDC-X497	

Safe	Symbol No.	Parts No.	Parts Name	Description	QTY	Local
	D610	RKZ5.1B2KG-X	Z DIODE		1	
	D611	RKZ5.1B2KG-X	Z DIODE		1	
	D623	MBRX130-TP-X	SB DIODE		1	
	D650	LRTBR98G-X	LED		1	
	D651	LRTBR98G-X	LED		1	
	D652	LRTBR98G-X	LED		1	
	D653	LRTBR98G-X	LED		1	
	D654	LRTBR98G-X	LED		1	
	D655	LRTBR98G-X	LED		1	
	D656	LRTBR98G-X	LED		1	
	D657	LRTBR98G-X	LED		1	
	D658	LRTBR98G-X	LED		1	
	D660	LRTBR98G-X	LED		1	
	D661	LRTBR98G-X	LED		1	
	D662	SML-D12V8W-X	LED		1	
	D663	SML-310VT-X	LED		1	
	D664	LRTBR98G-X	LED		1	
	C601	NCB31HK-472X	C CAPACITOR	4700pF 50V K	1	
	C602	NCB31HK-472X	C CAPACITOR	4700pF 50V K	1	
	C603	NCJ11EK-106X-R	C CAPACITOR	10uF 25V	1	
	C604	NCJ11EK-106X-R	C CAPACITOR	10uF 25V	1	
	C611	NCB31HK-102X	C CAPACITOR	1000pF 50V K	1	
	C612	NCB31HK-471X	C CAPACITOR	470pF 50V K	1	
	C614	NCB31HK-471X	C CAPACITOR	470pF 50V K	1	
	C615	NCB31HK-102X	C CAPACITOR	1000pF 50V K	1	
	C616	NCB31HK-104X	C CAPACITOR	0.1uF 50V K	1	
	C617	NCB31HK-104X	C CAPACITOR	0.1uF 50V K	1	
	C618	NCB31HK-331X	C CAPACITOR	330pF 50V K	1	
	C631	NDC31HJ-270X	C CAPACITOR	27pF 50V J	1	
	C632	NDC31HJ-270X	C CAPACITOR	27pF 50V J	1	
	C633	NCJ11EK-106X-R	C CAPACITOR	10uF 25V	1	
	C641	NCB31HK-104X	C CAPACITOR	0.1uF 50V K	1	
	C643	NCB31CK-105X	C CAPACITOR	1uF 16V K	1	
	C648	NCJ11EK-106X-R	C CAPACITOR	10uF 25V	1	
	C649	NCB20JK-106X	C CAPACITOR	10uF 6.3V K	1	
	R602	NRSA63J-162X	MG RESISTOR	1.6kΩ 1/16W J	1	
	R603	NRSA63J-182X	MG RESISTOR	1.8kΩ 1/16W J	1	
	R604	NRSA63J-152X	MG RESISTOR	1.5kΩ 1/16W J	1	
	R605	NRSA63J-182X	MG RESISTOR	1.8kΩ 1/16W J	1	
	R606	NRSA63J-182X	MG RESISTOR	1.8kΩ 1/16W J	1	
	R609	NRSA02J-0R0X	MG RESISTOR	0Ω 1/10W J	1	
	R610	NRSA02J-0R0X	MG RESISTOR	0Ω 1/10W J	1	
	R611	NRSA63J-101X	MG RESISTOR	100Ω 1/16W J	1	
	R612	NRSA63J-101X	MG RESISTOR	100Ω 1/16W J	1	
	R613	NRSA63J-0R0X	MG RESISTOR	0Ω 1/10W J	1	
	R615	NRSA63J-101X	MG RESISTOR	100Ω 1/16W J	1	
	R616	NRSA63J-101X	MG RESISTOR	100Ω 1/16W J	1	
	R617	NRSA63J-473X	MG RESISTOR	47kΩ 1/16W J	1	
	R618	NRSA63J-101X	MG RESISTOR	100Ω 1/16W J	1	
	R619	NRSA63J-101X	MG RESISTOR	100Ω 1/16W J	1	
	R620	NRSA63J-101X	MG RESISTOR	100Ω 1/16W J	1	
	R621	NRSA63J-0R0X	MG RESISTOR	0Ω 1/10W J	1	
	R622	NRSA63J-101X	MG RESISTOR	100Ω 1/16W J	1	
	R623	NRSA63J-101X	MG RESISTOR	100Ω 1/16W J	1	
	R624	NRSA63J-104X	MG RESISTOR	100kΩ 1/16W J	1	
	R625	NRSA63J-4R7X	MG RESISTOR	4.7Ω 1/16W J	1	
	R626	NRSA63J-473X	MG RESISTOR	47kΩ 1/16W J	1	
	R627	NRSA63J-473X	MG RESISTOR	47kΩ 1/16W J	1	
	R628	NRSA63J-473X	MG RESISTOR	47kΩ 1/16W J	1	
	R629	NRSA63J-103X	MG RESISTOR	10kΩ 1/16W J	1	
	R630	NRSA02J-2R0X	MG RESISTOR	2Ω 1/10W J	1	
	R631	NRSA02J-2R0X	MG RESISTOR	2Ω 1/10W J	1	
	R632	NRSA02J-2R0X	MG RESISTOR	2Ω 1/10W J	1	
	R633	NRSA02J-2R0X	MG RESISTOR	2Ω 1/10W J	1	
	R634	NRSA02J-2R0X	MG RESISTOR	2Ω 1/10W J	1	
	R635	NRSA02J-2R0X	MG RESISTOR	2Ω 1/10W J	1	
	R636	NRSA02J-1R8X	MG RESISTOR	1.8Ω 1/10W J	1	
	R637	NRSA63J-0R0X	MG RESISTOR	0Ω 1/10W J	1	
	R638	NRS181J-103X	MG RESISTOR	10kΩ 1/8W J	1	
	R641	NRS124J-100X	MG RESISTOR	10Ω 1/2W J	1	
	R645	NRSA63J-101X	MG RESISTOR	100Ω 1/16W J	1	
	R646	NRSA63J-101X	MG RESISTOR	100Ω 1/16W J	1	
	R647	NRSA63J-152X	MG RESISTOR	1.5kΩ 1/16W J	1	
	R648	NRSA63J-152X	MG RESISTOR	1.5kΩ 1/16W J	1	
	R649	NRSA63J-152X	MG RESISTOR	1.5kΩ 1/16W J	1	
	R650	NRSA63J-0R0X	MG RESISTOR	0Ω 1/10W J	1	
	R651	NRSA63J-152X	MG RESISTOR	1.5kΩ 1/16W J	1	
	R652	NRSA63J-122X	MG RESISTOR	1.2kΩ 1/16W J	1	
	R653	NRSA63J-152X	MG RESISTOR	1.5kΩ 1/16W J	1	
	R654	NRSA63J-0R0X	MG RESISTOR	0Ω 1/10W J	1	
	R657	NRS181J-911X	MG RESISTOR	910Ω 1/8W J	1	
	R658	NRSA02J-122X	MG RESISTOR	1.2kΩ 1/10W J	1	
	R659	NRSA02J-122X	MG RESISTOR	1.2kΩ 1/10W J	1	
	R660	NRS181J-122X	MG RESISTOR	1.2kΩ 1/8W J	1	
	R661	NRSA63J-152X	MG RESISTOR	1.5kΩ 1/16W J	1	
	R662	NRSA63J-152X	MG RESISTOR	1.5kΩ 1/16W J	1	
	R663	NRSA02J-681X	MG RESISTOR	680Ω 1/10W J	1	
	R664	NRSA02J-681X	MG RESISTOR	680Ω 1/10W J	1	
	R665	NRSA02J-681X	MG RESISTOR	680Ω 1/10W J	1	
	R666	NRS181J-681X	MG RESISTOR	680Ω 1/8W J	1	
	R667	NRSA02J-681X	MG RESISTOR	680Ω 1/10W J	1	
	R668	NRSA02J-681X	MG RESISTOR	680Ω 1/10W J	1	

MODEL	MARK
KDC-X497	

Safe	Symbol No.	Parts No.	Parts Name	Description	QTY	Local
R669		NRS181J-681X	MG RESISTOR	680Ω 1/8W J	1	
R670		NRSA02J-681X	MG RESISTOR	680Ω 1/10W J	1	
R671		NRSA02J-681X	MG RESISTOR	680Ω 1/10W J	1	
R675		NRSA02J-152X	MG RESISTOR	1.5kΩ 1/10W J	1	
R678		NRS181J-122X	MG RESISTOR	1.2kΩ 1/8W J	1	
R679		NRSA63J-101X	MG RESISTOR	100Ω 1/16W J	1	
R680		NRS181J-0R0X	MG RESISTOR	0Ω 1/8W J	1	
R681		NRSA63J-101X	MG RESISTOR	100Ω 1/16W J	1	
R682		NRSA63J-101X	MG RESISTOR	100Ω 1/16W J	1	
R683		NRSA63J-911X	MG RESISTOR	910Ω 1/16W J	1	
R693		NRS181J-911X	MG RESISTOR	910Ω 1/8W J	1	
R694		NRSA63J-182X	MG RESISTOR	1.8kΩ 1/16W J	1	
R695		NRSA63J-182X	MG RESISTOR	1.8kΩ 1/16W J	1	
R697		NRSA63J-0R0X	MG RESISTOR	0Ω 1/10W J	1	
R698		NRSA63J-0R0X	MG RESISTOR	0Ω 1/10W J	1	
L601		NQR0007-002X	FERRITE BEADS		1	
L602		NQR0007-002X	FERRITE BEADS		1	
L603		NQR0007-002X	FERRITE BEADS		1	
L641		NQR0022-005X	FERRITE BEADS		1	
CN601		QGZ1102K3-20X	CONNECTOR	(1-20)	1	
CN603		QNZ1076-001	USB CONNECTOR		1	
EN601		QSW1288-001	ROTARY ENCODER		1	
FL601		QLF0207-001	FL TUBE		1	
J602		QNS0308-001	3.5 JACK		1	
LF691		NQR0536-001X	CHOKE COIL		1	
S601		NSW0246-001X	TACT SWITCH		1	
S602		NSW0246-001X	TACT SWITCH		1	
S603		NSW0246-001X	TACT SWITCH		1	
S604		NSW0246-001X	TACT SWITCH		1	
S605		NSW0246-001X	TACT SWITCH		1	
S606		NSW0246-001X	TACT SWITCH		1	
S607		NSW0246-001X	TACT SWITCH		1	
S608		NSW0246-001X	TACT SWITCH		1	
S609		NSW0246-001X	TACT SWITCH		1	
S610		NSW0246-001X	TACT SWITCH		1	
S611		NSW0246-001X	TACT SWITCH		1	
S612		NSW0246-001X	TACT SWITCH		1	
S613		NSW0246-001X	TACT SWITCH		1	
S614		NSW0246-001X	TACT SWITCH		1	
CD PLAYER UNIT (X32-6530-00) <X32>						
R1		NRSA63J-131X	MG RESISTOR	130Ω 1/16W J	1	
B1		NRS181J-0R0X	MG RESISTOR	0Ω 1/8W J	1	
CN101		QGF1044F2-26X	CONNECTOR	FFC/FPC (1-26)	1	
CN102		QGF0522F3-15W	CONNECTOR	FFC/FPC (1-15)	1	
SW1		S68-0157-05	PUSH SWITCH		1	
SW2		S68-0157-05	PUSH SWITCH		1	
SW3		S68-0157-05	PUSH SWITCH		1	
SW4		S68-0157-05	PUSH SWITCH		1	