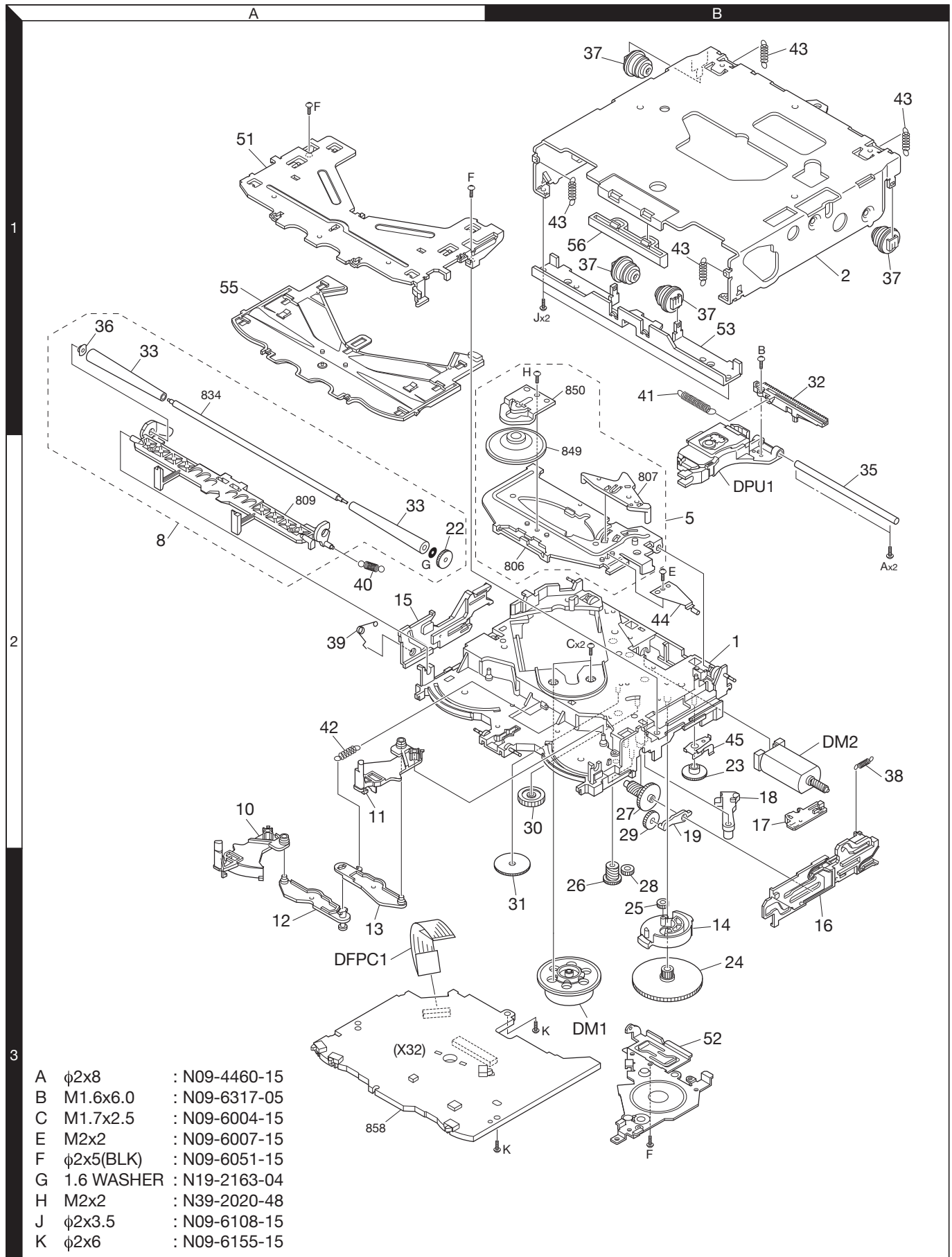


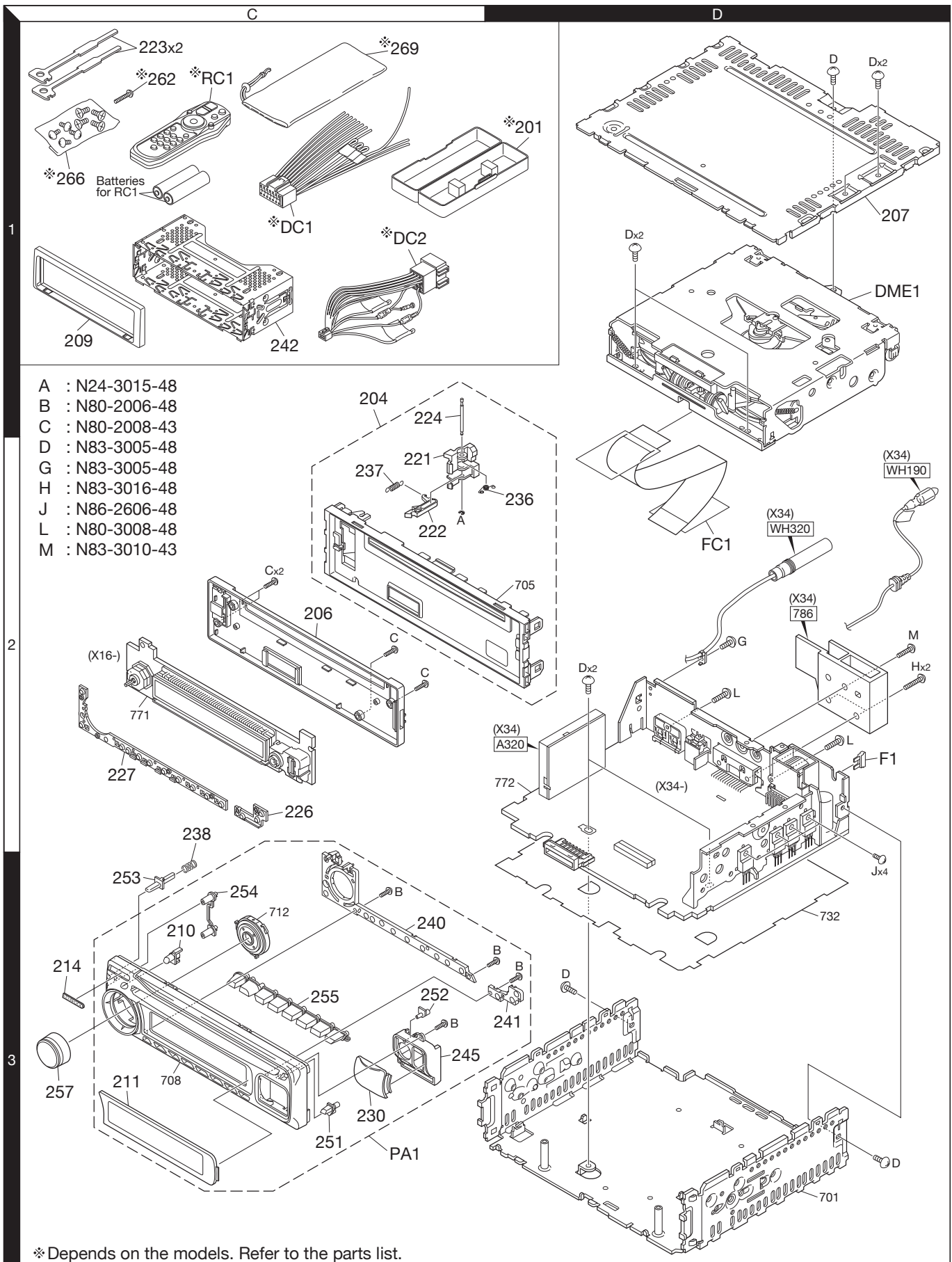
# EXPLODED VIEW (CD MECHANISM)



A	φ2x8	: N09-4460-15
B	M1.6x6.0	: N09-6317-05
C	M1.7x2.5	: N09-6004-15
E	M2x2	: N09-6007-15
F	φ2x5(BLK)	: N09-6051-15
G	1.6 WASHER	: N19-2163-04
H	M2x2	: N39-2020-48
J	φ2x3.5	: N09-6108-15
K	φ2x6	: N09-6155-15

Parts with the exploded numbers larger than 700 are not supplied.

# EXPLODED VIEW (UNIT)



Parts with the exploded numbers larger than 700 are not supplied.

# PARTS LIST

\* New parts

Parts without **Parts No.** are not supplied.

Les articles non mentionnés dans le **Parts No.** ne sont pas fournis.

Teile ohne **Parts No.** werden nicht geliefert.

Ref. No.	A d d	N e w	Parts No.	Description	Desti- nation
<b>KDC-MP408U/438U/MP5039U/MP5539U/X492/ W5041xx/W5141xxx/W5541U/W5641UY</b>					
201	1D	*	A02-2755-13	PLASTIC CABINET ASSY	M1M2
204	1C	*	A22-3158-03	SUB PANEL ASSY	
206	2C	*	A46-1864-01	REAR COVER	
207	1D	*	A52-0897-02	TOP PLATE	
PA1	3C	*	A64-4398-02	PANEL ASSY	K1
PA1	3C	*	A64-4399-02	PANEL ASSY	K2
PA1	3C	*	A64-4400-02	PANEL ASSY	K3
PA1	3C	*	A64-4401-02	PANEL ASSY	M1
PA1	3C	*	A64-4402-02	PANEL ASSY	M2
PA1	3C	*	A64-4403-02	PANEL ASSY	E1
PA1	3C	*	A64-4404-02	PANEL ASSY	E2E3
PA1	3C	*	A64-4405-02	PANEL ASSY	E4
PA1	3C	*	A64-4406-02	PANEL ASSY	E5E6
RC1	1C		A70-2085-05	REMOTE CONTROLLER ASSY (RC-547)	K1K2K3
RC1	1C		A70-2085-05	REMOTE CONTROLLER ASSY (RC-547)	M1M2E4
RC1	1C		A70-2085-05	REMOTE CONTROLLER ASSY (RC-547)	E5E6
-		*	B64-3955-00	INST. MANUAL (ENG.FRE.SPA.)	K1K2K3
-		*	B64-3956-00	INST. MANUAL (ENG.S-CHI.)	M1M2
-		*	B64-3957-00	INST. MANUAL (ARABIC)	M1M2
-		*	B64-3958-00	INST. MANUAL (ENGLISH)	E1E2E3
-		*	B64-3958-00	INST. MANUAL (ENGLISH)	E4E5E6
-		*	B64-3959-00	INST. MANUAL (FRE.GER.DUT.)	E1E2E3
-		*	B64-3960-00	INST. MANUAL (ITA.SPA.POR.)	E1E2E3
-		*	B64-3961-00	INST. MANUAL (RUSSIAN)	E4E5E6
209	1C	*	B07-3244-01	ESCUTCHEON	K2K3E1
209	1C	*	B07-3244-01	ESCUTCHEON	E2E3E4
209	1C	*	B07-3244-01	ESCUTCHEON	E5E6
209	1C	*	B07-3245-01	ESCUTCHEON	K1M1M2
210	3C	*	B10-5047-04	FRONT GLASS (REMOTE)	
211	3C	*	B10-5061-01	FRONT GLASS	K1
211	3C	*	B10-5062-01	FRONT GLASS	K2
211	3C	*	B10-5063-01	FRONT GLASS	K3
211	3C	*	B10-5064-01	FRONT GLASS	M1
211	3C	*	B10-5065-01	FRONT GLASS	M2
211	3C	*	B10-5066-01	FRONT GLASS	E1
211	3C	*	B10-5067-01	FRONT GLASS	E2E3
211	3C	*	B10-5068-01	FRONT GLASS	E4
211	3C	*	B10-5069-01	FRONT GLASS	E5E6
214	3C		B43-1518-04	BADGE	
221	2C		D10-4446-03	LEVER	
222	2C		D10-4447-03	LEVER	
223	1C	*	D10-7012-04	LEVER	
224	1C		D21-2329-04	SHAFT	
226	2C	*	E29-2117-03	CONDUCTIVE RUBBER (EJECT)	
227	2C	*	E29-2118-02	CONDUCTIVE RUBBER (PRESET)	
△ DC1	1C		E30-6428-05	DC CORD	K1K2K3
△ DC1	1C		E30-6428-05	DC CORD	M1M2
△ DC2	1C		E30-6671-05	DC CORD	E1E2E3
△ DC2	1C		E30-6671-05	DC CORD	E4E5E6
FC1	2D	*	E39-0981-05	FLAT CABLE	
230	3C	*	F07-1194-02	COVER	

Ref. No.	A d d	N e w	Parts No.	Description	Desti- nation
F1	2D		F52-0023-05	FUSE (MINI BLADE TYPE) (10A)	
236	2D		G01-2987-04	TORSION COIL SPRING	
237	2C	*	G01-4662-04	EXTENSION SPRING	
238	2C		G01-3244-04	COMPRESSION SPRING (REL)	
-		*	H54-4263-03	ITEM CARTON CASE	K1
-		*	H54-4264-03	ITEM CARTON CASE	K2
-		*	H54-4265-03	ITEM CARTON CASE	K3
-		*	H54-4266-03	ITEM CARTON CASE	M1
-		*	H54-4267-03	ITEM CARTON CASE	M2
-		*	H54-4268-03	ITEM CARTON CASE	E1
-		*	H54-4269-03	ITEM CARTON CASE	E2
-		*	H54-4270-03	ITEM CARTON CASE	E3
-		*	H54-4271-03	ITEM CARTON CASE	E4
-		*	H54-4272-03	ITEM CARTON CASE	E5
-		*	H54-4273-03	ITEM CARTON CASE	E6
240	3C	*	J19-7192-02	HOLDER (PRESET)	
241	3D	*	J19-7193-03	HOLDER (EJECT/RESET)	
242	1C		J21-9716-03	MOUNTING HARDWARE ASSY	
245	3C	*	J90-1162-02	GUIDE	
251	3C	*	K24-4798-04	PUSH KNOB (EJECT)	
252	3C	*	K24-4799-04	PUSH KNOB (RESET)	
253	3C	*	K24-4800-04	PUSH KNOB (RELEASE)	
254	3C	*	K25-1917-03	PUSH KNOB (AME/DSP)	
255	3C	*	K25-1918-02	PUSH KNOB (PRESET)	
257	3C	*	K28-0280-04	KNOB ASSY (VOL)	
262	1C		N84-4016-48	PAN HEAD TAPTITE SCREW	K1K2K3
262	1C		N84-4016-48	PAN HEAD TAPTITE SCREW	M1M2
266	1C	*	N99-1757-15	SCREW SET	K1K2K3
266	1C	*	N99-1757-15	SCREW SET	M1M2
A	2C		N24-3015-48	E TYPE RETAINING RING	
B	3C		N80-2006-48	PAN HEAD TAPTITE SCREW	
C	2C		N80-2008-43	PAN HEAD TAPTITE SCREW	
D	1D		N83-3005-48	PAN HEAD TAPTITE SCREW	
269	1C		W01-1664-05	CARRYING CASE	K1
269	1C	*	W01-1710-05	CARRYING CASE	K2K3E1
269	1C	*	W01-1710-05	CARRYING CASE	E2E3E4
269	1C	*	W01-1710-05	CARRYING CASE	E5E6
DME1	1D	*	X92-6130-00	MECHANISM ASSY (DXM-6E20W)	
<b>SWITCH UNIT (X16-622x-xx)</b>					
D1-12			B30-1779-05	LED (1608,SR)	K2K3E2
D1-12			B30-1779-05	LED (1608,SR)	E5
D1-12			B30-1780-05	LED (1608,PG)	E3E6
D1-12			B30-1781-05	LED (1608,BLUE)	K1M1M2
D1-12			B30-1781-05	LED (1608,BLUE)	E1E4
D16			B30-1779-05	LED (1608,SR)	
D21-23			B30-1779-05	LED (1608,SR)	E2E5
D21-23			B30-1781-05	LED (1608,BLUE)	K1K2K3
D21-23			B30-1781-05	LED (1608,BLUE)	M1M2E1
D21-23			B30-1781-05	LED (1608,BLUE)	E4
D21-27			B30-1780-05	LED (1608,PG)	E3E6
D27			B30-1779-05	LED (1608,SR)	E2E5

**K1** : KDC-X492    **K2** : KDC-MP438U    **K3** : KDC-MP408U    **M1** : KDC-MP5539U  
**M2** : KDC-MP5039U    **E1** : KDC-W5541U    **E2** : KDC-W5041UA    **E3** : KDC-W5041UG  
**E4** : KDC-W5641UY    **E5** : KDC-W5141UAY    **E6** : KDC-W5141UGY

△ Indicates safety critical components.

# PARTS LIST

## SWITCH UNIT (X16-622x-xx)

Ref. No.	Ad	New	Parts No.	Description	Desti- nation
D27			B30-1781-05	LED (1608,BLUE)	K1K2K3
D27			B30-1781-05	LED (1608,BLUE)	M1M2E1
D27			B30-1781-05	LED (1608,BLUE)	E4
D115,116			B30-1779-05	LED (1608,SR)	E2E5
D115,116			B30-1781-05	LED (1608,BLUE)	K1K2K3
D115,116			B30-1781-05	LED (1608,BLUE)	M1M2E1
D115,116			B30-1781-05	LED (1608,BLUE)	E4
C8			CK73GB1A105K	CHIP C 1.0UF K	
C10			CK73GB1C104K	CHIP C 0.10UF K	
C28			CC73GCH1H102J	CHIP C 1000PF J	
C29			CC73GCH1H471J	CHIP C 470PF J	
C31			CK73GB1C104K	CHIP C 0.10UF K	
C32			CK73GB1H103K	CHIP C 0.010UF K	
J1		*	E59-0854-05	RECTANGULAR PLUG	
J3		*	E11-0654-05	3.5D PHONE JACK	
J4			E58-1062-05	RECTANGULAR RECEPTACLE	
CP10,11			RK74HB1J101J	CHIP-COM 100 J 1/16W	
CP14			RK74HB1J473J	CHIP-COM 47K J 1/16W	
R2			RK73GB2A221J	CHIP R 220 J 1/10W	
R5			RK73GB2A221J	CHIP R 220 J 1/10W	
R7			RK73GB2A221J	CHIP R 220 J 1/10W	
R10			RK73GB2A104J	CHIP R 100K J 1/10W	
R11			RK73GB2A4R7J	CHIP R 4.7 J 1/10W	
R13			RK73GB2A101J	CHIP R 100 J 1/10W	
R15			RK73GB2A101J	CHIP R 100 J 1/10W	
R20			RK73GB2A101J	CHIP R 100 J 1/10W	
R21			RK73GB2A104J	CHIP R 100K J 1/10W	
R51-54			RK73FB2B621J	CHIP R 620 J 1/8W	K2K3
R51-55			RK73FB2B271J	CHIP R 270 J 1/8W	K1M1M2
R51-55			RK73FB2B271J	CHIP R 270 J 1/8W	E1E4
R51-55			RK73FB2B561J	CHIP R 560 J 1/8W	E3E6
R51-55			RK73FB2B621J	CHIP R 620 J 1/8W	E2E5
R55			RK73FB2B271J	CHIP R 270 J 1/8W	K2K3
R56			RK73EB2E821J	CHIP R 820 J 1/4W	E3E6
R60			RK73EB2E271J	CHIP R 270 J 1/4W	K1K2K3
R60			RK73EB2E271J	CHIP R 270 J 1/4W	M1M2E1
R60			RK73EB2E271J	CHIP R 270 J 1/4W	E4
R60			RK73EB2E621J	CHIP R 620 J 1/4W	E2E5
R60			RK73EB2E821J	CHIP R 820 J 1/4W	E3E6
R74,75			RK73PB2H300J	CHIP R 30 J 1/2W	
R80			RK73GB2A222J	CHIP R 2.2K J 1/10W	
R81			RK73GB2A223J	CHIP R 22K J 1/10W	
R112			RK73GB2A104J	CHIP R 100K J 1/10W	
R113			RK73EB2E102J	CHIP R 1.0K J 1/4W	
R117,118			RK73GB2A103J	CHIP R 10K J 1/10W	
S1		*	S70-0947-05	TACT SWITCH	
D104			UDZW5.6(B)	ZENER DIODE	
ED1		*	3-BT-259INK	FLUORESCENT INDICATOR TUBE	
IC2			PIC95603	ANALOGUE IC	
Q5			2SC4617	TRANSISTOR	
Q20			RT1N441U	TRANSISTOR	
Q21			RT1P141U	TRANSISTOR	

Ref. No.	Ad	New	Parts No.	Description	Desti- nation
Q22-24			DTA123JUA	DIGITAL TRANSISTOR	
<b>CD PLAYER UNIT (X32-6130-00) IN CD MECHA</b>					
C20			CC73GCH1H330J	CHIP C 33PF J	
C23			CC73GCH1H151J	CHIP C 150PF J	
C24			CK73FB1A225K	CHIP C 2.2UF K	
C25			CK73GB1A105K	CHIP C 1.0UF K	
C26			CK73GB1H153K	CHIP C 0.015UF K	
C27			CC73GCH1H470J	CHIP C 47PF J	
C30-32			CK73GB1H103K	CHIP C 0.010UF K	
C33			CK73GB1H332K	CHIP C 3300PF K	
C34			CK73GB1H104K	CHIP C 0.10UF K	
C35			CK73GB1H153K	CHIP C 0.015UF K	
C36			CK73GB1H104K	CHIP C 0.10UF K	
C38			CC73GCH1H680J	CHIP C 68PF J	
C39			CK73GB1H104K	CHIP C 0.10UF K	
C41			CK73GB1A105K	CHIP C 1.0UF K	
C44			CK73GB1H104K	CHIP C 0.10UF K	
C45			CK73GB1H332K	CHIP C 3300PF K	
C46			CK73GB1H103K	CHIP C 0.010UF K	
C47,48			CK73GB1H333K	CHIP C 0.033UF K	
C49,50			CK73GB1H104K	CHIP C 0.10UF K	
C51			CK73GB1H222K	CHIP C 2200PF K	
C52,53			CK73GB1H104K	CHIP C 0.10UF K	
C54			CK73GB1A105K	CHIP C 1.0UF K	
C58			CK73GB1A105K	CHIP C 1.0UF K	
C60			CK73EB0J226K	CHIP C 22UF K	
C61-64			CK73GB1H104K	CHIP C 0.10UF K	
C66			CK73FB1C105K	CHIP C 1.0UF K	
C68,69			CK73GB1H104K	CHIP C 0.10UF K	
C71			CK73GB1H104K	CHIP C 0.10UF K	
C72			CK73FB0J106K	CHIP C 10UF K	
C87,88			CK73GB1H332K	CHIP C 3300PF K	
C89-91			CK73GB1H104K	CHIP C 0.10UF K	
C94,95			CK73GB1A105K	CHIP C 1.0UF K	
C96			CK73GB1H103K	CHIP C 0.010UF K	
C97			CK73GB1H104K	CHIP C 0.10UF K	
C101			CK73GB1C224K	CHIP C 0.22UF K	
C102			CK73GB1A474K	CHIP C 0.47UF K	
C103			CK73GB1H153K	CHIP C 0.015UF K	
C104			CK73FB1A225K	CHIP C 2.2UF K	
CN1			E41-2612-05	FLAT CABLE CONNECTOR	
CN2			E41-2630-05	FLAT CABLE CONNECTOR	
X1			L78-1221-05	RESONATOR (16.93MHZ)	
CP7			RK74GB1J103J	CHIP-COM 10K J 1/16W	
R20			RK73GB2A184J	CHIP R 180K J 1/10W	
R27			RK73GB2A912J	CHIP R 9.1K J 1/10W	
R29			RK73GB2A102J	CHIP R 1.0K J 1/10W	
R30			RK73GB2A101J	CHIP R 100 J 1/10W	
R31			RK73GB2A224J	CHIP R 220K J 1/10W	
R32			RK73GB2A181J	CHIP R 180 J 1/10W	
R33			RK73GB2A153J	CHIP R 15K J 1/10W	
R34			RK73GB2A473J	CHIP R 47K J 1/10W	
R35			RK73GB2A562J	CHIP R 5.6K J 1/10W	

K1 : KDC-X492 K2 : KDC-MP438U K3 : KDC-MP408U M1 : KDC-MP5539U  
M2 : KDC-MP5039U E1 : KDC-W5541U E2 : KDC-W5041UA E3 : KDC-W5041UG  
E4 : KDC-W5641UY E5 : KDC-W5141UAY E6 : KDC-W5141UGY

△ Indicates safety critical compo nents.

# PARTS LIST

## CD PLAYER UNIT (X32-6130-00) IN CD MECHA

Ref. No.	Add	New	Parts No.	Description	Destination	Ref. No.	Add	New	Parts No.	Description	Destination
R36			RK73GB2A154J	CHIP R 150K J 1/10W		C10			CD04AT1A221M	ELECTRO 220UF 10WV	
R37			RK73GB2A334J	CHIP R 330K J 1/10W		C11			CK73GB1A105K	CHIP C 1.0UF K	
R38			RK73GB2A223J	CHIP R 22K J 1/10W		C12			CK73GB1C104K	CHIP C 0.10UF K	
R40			RK73GB2A114J	CHIP R 110K J 1/10W		C20			C90-6851-05	ELECTRO 220UF 25WV	
R41			RK73GB2A473J	CHIP R 47K J 1/10W		C22			CD04AS1V100M	ELECTRO 10UF 35WV	
R45			RK73GB2A221J	CHIP R 220 J 1/10W		C23			CD04AS0J101M	ELECTRO 100UF 6.3WV	
R46			RK73GB2A105J	CHIP R 1.0M J 1/10W		C25,26			CK73GB1A105K	CHIP C 1.0UF K	
R50			RK73GB2A560J	CHIP R 56 J 1/10W		C27			CD04AS0J470M	ELECTRO 47UF 6.3WV	
R51			RK73EB2E220J	CHIP R 22 J 1/4W		C30			CK73GB1A474K	CHIP C 0.47UF K	
R52			RK73EB2E100J	CHIP R 10 J 1/4W		C31			CD04AS1C101M	ELECTRO 100UF 16WV	
R55			RK73GB2A103J	CHIP R 10K J 1/10W		C40			CK73GB1C104K	CHIP C 0.10UF K	
R59			RK73GB2A4R7J	CHIP R 4.7 J 1/10W		C42			CD04AS1C220M	ELECTRO 22UF 16WV	
R60,61			RK73GB2A103J	CHIP R 10K J 1/10W		C51			CD04AS1V100M	ELECTRO 10UF 35WV	
R82,83			RK73GB2A331J	CHIP R 330 J 1/10W		C60			CD04BK1E101M	ELECTRO 100UF 25WV	
R207			RK73EB2E000J	CHIP R 0.0 J 1/4W		C61			CK73GB1C104K	CHIP C 0.10UF K	
R216,217			RK73GB2A103J	CHIP R 10K J 1/10W		C62			CD04BK1A221M	ELECTRO 220UF 10WV	
R221,222			RK73GB2A101J	CHIP R 100 J 1/10W		C64			CK73GB1C104K	CHIP C 0.10UF K	
R226			RK73GB2A101J	CHIP R 100 J 1/10W		C65			CK73GB1H222K	CHIP C 2200PF K	
R228-230			RK73GB2A101J	CHIP R 100 J 1/10W		C67			CD04BK1A221M	ELECTRO 220UF 10WV	
R231			RK73GB2A473J	CHIP R 47K J 1/10W		C68,69			CK73GB1H102K	CHIP C 1000PF K	
R232			RK73GB2A104J	CHIP R 100K J 1/10W		C100			CD04AS1E470M	ELECTRO 47UF 25WV	K1
R233			RK73GB2A331J	CHIP R 330 J 1/10W		C101			CD04AS1C220M	ELECTRO 22UF 16WV	K1
R240			RK73EB2E000J	CHIP R 0.0 J 1/4W		C102			CD04AS1C470M	ELECTRO 47UF 16WV	K1
R241			RK73GB2A104J	CHIP R 100K J 1/10W		C103			CK73GB1H102K	CHIP C 1000PF K	K1
R243			RK73GB2A472J	CHIP R 4.7K J 1/10W		C122			CK73GB1H103K	CHIP C 0.010UF K	
R244			RK73GB2A225J	CHIP R 2.2M J 1/10W		C140			CD04AS1H3R3M	ELECTRO 3.3UF 50WV	
R246			RK73GB2A104J	CHIP R 100K J 1/10W		C141			CK73GB1A105K	CHIP C 1.0UF K	
R247			RK73GB2A101J	CHIP R 100 J 1/10W		C142			CK73GB1H104K	CHIP C 0.10UF K	
R252			RK73GB2A102J	CHIP R 1.0K J 1/10W		C160			CK73GB1H103K	CHIP C 0.010UF K	
R257-261			RK73GB2A101J	CHIP R 100 J 1/10W		C170			CK73GB1A105K	CHIP C 1.0UF K	
R262-264			RK73GB2A472J	CHIP R 4.7K J 1/10W		C171			CK73GB1H223K	CHIP C 0.022UF K	
R280			RK73GB2A103J	CHIP R 10K J 1/10W		C230			CK73GB1C104K	CHIP C 0.10UF K	
R281,282			RK73GB2A2R2J	CHIP R 2.2 J 1/10W		C232			CK73GB1C104K	CHIP C 0.10UF K	
R284,285			RK73GB2A2R2J	CHIP R 2.2 J 1/10W		C233			CD04BK1A221M	ELECTRO 220UF 10WV	
R287			RK73GB2A2R2J	CHIP R 2.2 J 1/10W		C300,301			CC73GCH1H220J	CHIP C 22PF J	E1E2E3
R288			RK73GB2A302J	CHIP R 3.0K J 1/10W		C300,301			CC73GCH1H220J	CHIP C 22PF J	E4E5E6
R289			RK73GB2A103J	CHIP R 10K J 1/10W		C303			CK73GB1H103K	CHIP C 0.010UF K	E1E2E3
S1,2			S68-0863-05	PUSH SWITCH		C303			CK73GB1H103K	CHIP C 0.010UF K	E4E5E6
S3			S68-0862-05	PUSH SWITCH		C305			CK73GB1C104K	CHIP C 0.10UF K	E1E2E3
D2			DAP202U	DIODE		C305			CK73GB1C104K	CHIP C 0.10UF K	E4E5E6
D3,4			DA204U	DIODE		C306			CK73FB1A225K	CHIP C 2.2UF K	E1E2E3
IC3		*	BD8222EFV	ANALOGUE IC		C306			CK73FB1A225K	CHIP C 2.2UF K	E4E5E6
IC4		*	TC94A70FG-010	MOS-IC		C307			CC73GCH1H331J	CHIP C 330PF J	E1E2E3
IC5			S-1132B15U5T1G	ANALOGUE IC		C307			CC73GCH1H331J	CHIP C 330PF J	E4E5E6
IC6			S-1132B33U5T1G	ANALOGUE IC		C318			CD04AS1C470M	ELECTRO 47UF 16WV	K1
IC11		*	XC6218S152MR	MOS-IC		C320-323			CK73GB1H103K	CHIP C 0.010UF K	
Q1			2SB0970	TRANSISTOR		C400,401			CD04AS1V100M	ELECTRO 10UF 35WV	
Q13			DTC114YUA	DIGITAL TRANSISTOR		C402,403			CK73GB1H102K	CHIP C 1000PF K	
<b>ELECTRIC UNIT (X34-577x-xx)</b>						C410,411			CD04AS1V100M	ELECTRO 10UF 35WV	K1K2M1
C1			CD04AZ1C332M2	ELECTRO 3300UF 16WV	K2K3M1	C410,411			CD04AS1V100M	ELECTRO 10UF 35WV	M2
C1			CD04AZ1C332M2	ELECTRO 3300UF 16WV	M2E1E2	C412,413			CK73GB1H102K	CHIP C 1000PF K	K1K2M1
C1			CD04AZ1C332M2	ELECTRO 3300UF 16WV	E3E4E5	C412,413			CK73GB1H102K	CHIP C 1000PF K	M2
C1			CD04AZ1C332M2	ELECTRO 3300UF 16WV	E6	C420,421			CD04AS1V100M	ELECTRO 10UF 35WV	K1K2
C1			C90-6746-05	ELECTRO 3300UF 16WV	K1	C422,423			CK73GB1H102K	CHIP C 1000PF K	K1K2
						C440			CK73FB1E474K	CHIP C 0.47UF K	

**K1** : KDC-X492 **K2** : KDC-MP438U **K3** : KDC-MP408U **M1** : KDC-MP5539U  
**M2** : KDC-MP5039U **E1** : KDC-W5541U **E2** : KDC-W5041UA **E3** : KDC-W5041UG  
**E4** : KDC-W5641UY **E5** : KDC-W5141UAY **E6** : KDC-W5141UGY

△ Indicates safety critical components.

# PARTS LIST

## ELECTRIC UNIT (X34-577x-xx)

Ref. No.	Ad	New	Parts No.	Description	Destination	Ref. No.	Ad	New	Parts No.	Description	Destination
C441			CD04AT0J470M	ELECTRO 47UF 6.3WV		△ J1			E58-0991-05	RECTANGULAR RECEPTACLE	
C442			CK73FB1E474K	CHIP C 0.47UF K		J400		*	E63-0953-05	PIN JACK	K1K2
C443			CK73GB1H103K	CHIP C 0.010UF K		J400		*	E63-0954-05	PIN JACK	M1M2
C445			CK73FB1E474K	CHIP C 0.47UF K		J400		*	E63-0955-05	PIN JACK	K3E1E2
C446			CE32BJ0J470M	CHIP EL 47UF 6.3WV		J400		*	E63-0955-05	PIN JACK	E3E4E5
C447			CK73FB1E474K	CHIP C 0.47UF K		J400		*	E63-0955-05	PIN JACK	E6
C448			CK73GB1H103K	CHIP C 0.010UF K		J440			E56-0855-05	CYLINDRICAL RECEPTACLE	
C478,479			CK73GB1A474K	CHIP C 0.47UF K		J660		*	E58-1095-05	RECTANGULAR RECEPTACLE	
C480,481			CD04AS1H2R2M	ELECTRO 2.2UF 50WV		W320	2D	*	E30-6803-05	CORD WITH PLUG	
C482,483			CK73GB1A105K	CHIP C 1.0UF K		WH190	2D	*	E30-6706-05	WIRING HARNESS (REMOTE)	
C486-488			CK73GB1A105K	CHIP C 1.0UF K		△ L1			L33-2365-05	CHOKE COIL ASSY	
C489-491			CD04AS1H2R2M	ELECTRO 2.2UF 50WV		L60		*	L33-2456-05	SMALL FIXED INDUCTOR	
C492,493			CK73GB1A105K	CHIP C 1.0UF K		L600			L41-4795-33	SMALL FIXED INDUCTOR (4.7UH)	
C494			CK73GB1H103K	CHIP C 0.010UF K		L704			L41-4795-33	SMALL FIXED INDUCTOR (4.7UH)	
C495			CD04AS1V100M	ELECTRO 10UF 35WV	K2K3M1	X300			L77-2002-05	CRYSTAL RESONATOR	E1E2E3
C495			CD04AS1V100M	ELECTRO 10UF 35WV	M2E1E2	X300			L77-2002-05	CRYSTAL RESONATOR	E4E5E6
C495			CD04AS1V100M	ELECTRO 10UF 35WV	E3E4E5	X600			L77-2921-05	CRYSTAL RESONATOR (32.768KHZ)	
C495			CD04AS1V100M	ELECTRO 10UF 35WV	E6	X601			L78-0872-05	RESONATOR (12MHZ)	
C496			CD04AS1C470M	ELECTRO 47UF 16WV		X700			L77-2921-05	CRYSTAL RESONATOR (32.768KHZ)	
C500-503			CK73GB1A224K	CHIP C 0.22UF K		X701		*	L77-2964-05	CRYSTAL RESONATOR (9.00MHZ)	
C504			C90-6711-05	ELECTRO 1UF 50WV		X750			L77-2921-05	CRYSTAL RESONATOR (32.768KHZ)	K1K2M1
C506,507			CK73GB1A105K	CHIP C 1.0UF K		X750			L77-2921-05	CRYSTAL RESONATOR (32.768KHZ)	E1E4
C508			CD04AS1A330M	ELECTRO 33UF 10WV	K3M1M2	G	2D		N83-3005-48	PAN HEAD TAPTITE SCREW	
C508			CD04AS1A330M	ELECTRO 33UF 10WV	E1E2E3	H	2D		N83-3016-48	PAN HEAD TAPTITE SCREW	
C508			CD04AS1A330M	ELECTRO 33UF 10WV	E4E5E6	J	3D		N86-2606-48	BINDING HEAD TAPTITE SCREW	
C508			CD04AS1V100M	ELECTRO 10UF 35WV	K1K2	L	2D		N80-3008-48	PAN HEAD TAPTITE SCREW	
C520-527			CK73GB1H392K	CHIP C 3900PF K	E1E2E3	M	2D	*	N83-3010-43	PAN HEAD TAPTITE SCREW	
C520-527			CK73GB1H392K	CHIP C 3900PF K	E4E5E6	CP440,441			RK74GA1J101J	CHIP-COM 100 J 1/16W	
C600			CC73GCH1H220J	CHIP C 22PF J		CP603-605			RK74GB1J101J	CHIP-COM 100 J 1/16W	
C601			CC73GCH1H180J	CHIP C 18PF J		CP606			RK74GA1J101J	CHIP-COM 100 J 1/16W	
C602			CK73GB1C104K	CHIP C 0.10UF K		CP607			RK74GA1J472J	CHIP-COM 4.7K J 1/16W	
C603,604			CK73GB1H103K	CHIP C 0.010UF K		CP608			RK74GA1J101J	CHIP-COM 100 J 1/16W	
C606,607			CK73GB1H103K	CHIP C 0.010UF K		R10			RK73GH2A432D	CHIP R 4.3K D 1/10W	
C611			CK73GB1H103K	CHIP C 0.010UF K		R11			RK73GH2A243D	CHIP R 24K D 1/10W	
C612			CK73GB1H102K	CHIP C 1000PF K		R12			RK73FB2B221J	CHIP R 220 J 1/8W	
C613,614			CK73GB1H103K	CHIP C 0.010UF K		R20			RK73FB2B123J	CHIP R 12K J 1/8W	
C616			CK73GB1A105K	CHIP C 1.0UF K		R21			RK73GB2A223J	CHIP R 22K J 1/10W	
C660			CK73GB1H102K	CHIP C 1000PF K		R22			RK73FB2B822J	CHIP R 8.2K J 1/8W	
C680,681			CK73GB1H103K	CHIP C 0.010UF K		R30			RK73FB2B152J	CHIP R 1.5K J 1/8W	
C701			CK73GB1H103K	CHIP C 0.010UF K		R31			RK73GB2A104J	CHIP R 100K J 1/10W	
C702			CC73GCH1H220J	CHIP C 22PF J		R40			RK73FB2B182J	CHIP R 1.8K J 1/8W	
C703			CC73GCH1H180J	CHIP C 18PF J		R41			RK73GB2A473J	CHIP R 47K J 1/10W	
C704-706			CK73GB1H103K	CHIP C 0.010UF K		R50			RK73FB2B681J	CHIP R 680 J 1/8W	
C708-710			CK73GB1H103K	CHIP C 0.010UF K		R60			RK73GB2A683J	CHIP R 68K J 1/10W	
C711,712			CC73GCH1H150J	CHIP C 15PF J		R61			RK73GB2A104J	CHIP R 100K J 1/10W	
C713-715			CK73GB1H103K	CHIP C 0.010UF K		R62			RK73GH2A623D	CHIP R 62K D 1/10W	
C716,717			CK73FB0J106K	CHIP C 10UF K		R63			RK73GH2A153D	CHIP R 15K D 1/10W	
C718			CK73GB0J105K	CHIP C 1.0UF K		R64			RK73EB2E100J	CHIP R 10 J 1/4W	
C750,751			CC73GCH1H050C	CHIP C 5.0PF C	K1K2M1	R65,66			RK73PB2H300J	CHIP R 30 J 1/2W	
C750,751			CC73GCH1H050C	CHIP C 5.0PF C	E1E4	R100			RK73PB2H220J	CHIP R 22 J 1/2W	K1
C752			CK73GB1C104K	CHIP C 0.10UF K	K1K2M1	R101			RK73GB2A221J	CHIP R 220 J 1/10W	K1
C752			CK73GB1C104K	CHIP C 0.10UF K	E1E4	R103			RK73GB2A102J	CHIP R 1.0K J 1/10W	K1
C754,755			CK73GB1H102K	CHIP C 1000PF K		R104			RK73FB2B102J	CHIP R 1.0K J 1/8W	K1
CN680			E41-2358-05	FLAT CABLE CONNECTOR		R105			RK73GB2A102J	CHIP R 1.0K J 1/10W	K1

K1 : KDC-X492 K2 : KDC-MP438U K3 : KDC-MP408U M1 : KDC-MP5539U  
M2 : KDC-MP5039U E1 : KDC-W5541U E2 : KDC-W5041UA E3 : KDC-W5041UG  
E4 : KDC-W5641UY E5 : KDC-W5141UAY E6 : KDC-W5141UGY

△ Indicates safety critical components.

# PARTS LIST

## ELECTRIC UNIT (X34-577x-xx)

Ref. No.	Add	New	Parts No.	Description	Destination	Ref. No.	Add	New	Parts No.	Description	Destination
R106			RK73GB2A513J	CHIP R 51K J 1/10W	K1	R412,413			RK73GB2A223J	CHIP R 22K J 1/10W	M2
R107			RK73EB2E2R2J	CHIP R 2.2 J 1/4W	K1	R414,415			RK73FB2B181J	CHIP R 180 J 1/8W	K1K2M1
R108			RK73GB2A332J	CHIP R 3.3K J 1/10W	K1	R414,415			RK73FB2B181J	CHIP R 180 J 1/8W	M2
R109			RK73GB2A2R2J	CHIP R 2.2 J 1/10W	K1	R420,421			RK73GB2A331J	CHIP R 330 J 1/10W	K1K2
R110			RK73GB2A222J	CHIP R 2.2K J 1/10W	K1	R422,423			RK73GB2A223J	CHIP R 22K J 1/10W	K1K2
R111			RK73GB2A473J	CHIP R 47K J 1/10W	K1	R424,425			RK73FB2B181J	CHIP R 180 J 1/8W	K1K2
R112			RK73GB2A472J	CHIP R 4.7K J 1/10W	K1	R440			RK73EB2E432J	CHIP R 4.3K J 1/4W	
R113			RK73GB2A102J	CHIP R 1.0K J 1/10W	K1	R441,442			RK73EB2E101J	CHIP R 100 J 1/4W	
R114			RK73GB2A101J	CHIP R 100 J 1/10W	K1	R443			RK73EB2E432J	CHIP R 4.3K J 1/4W	
R120,121			RK73GB2A103J	CHIP R 10K J 1/10W		R444,445			RK73EB2E101J	CHIP R 100 J 1/4W	
R126			RK73GB2A183J	CHIP R 18K J 1/10W		R446			RK73EB2E100J	CHIP R 10 J 1/4W	
R127			RK73FB2B203J	CHIP R 20K J 1/8W		R447			RK73EB2E4R7J	CHIP R 4.7 J 1/4W	
R128			RK73GB2A104J	CHIP R 100K J 1/10W		R448			RK73EB2E100J	CHIP R 10 J 1/4W	
R129			RK73EB2E473J	CHIP R 47K J 1/4W		R449,450			RK73EB2E101J	CHIP R 100 J 1/4W	
R130			RK73EB2E102J	CHIP R 1.0K J 1/4W		R451			RK73GB2A102J	CHIP R 1.0K J 1/10W	
R131			RK73GB2A473J	CHIP R 47K J 1/10W		R454,455			RK73GB2A101J	CHIP R 100 J 1/10W	
R132			RK73FB2B683J	CHIP R 68K J 1/8W		R456,457			RK73GB2A104J	CHIP R 100K J 1/10W	
R133			RK73EB2E102J	CHIP R 1.0K J 1/4W		R458			RK73GB2A101J	CHIP R 100 J 1/10W	
R140			RK73FB2B472J	CHIP R 4.7K J 1/8W		R459,460			RK73GB2A104J	CHIP R 100K J 1/10W	
R141		*	RK73PB2H561J	CHIP R 560 J 1/2W		R461			RK73GB2A101J	CHIP R 100 J 1/10W	
R142			RK73GB2A223J	CHIP R 22K J 1/10W		R462			RK73GB2A104J	CHIP R 100K J 1/10W	
R143-145		*	RK73PB2H561J	CHIP R 560 J 1/2W		R464			RK73EB2E100J	CHIP R 10 J 1/4W	
R150			RK73GB2A223J	CHIP R 22K J 1/10W	K1K2K3	R465			RK73EB2E4R7J	CHIP R 4.7 J 1/4W	
R150			RK73GB2A223J	CHIP R 22K J 1/10W	M1M2	R466			RK73EB2E100J	CHIP R 10 J 1/4W	
R151,152			RK73PB2H221J	CHIP R 220 J 1/2W	K1K2K3	R467			RK73GB2A102J	CHIP R 1.0K J 1/10W	
R151,152			RK73PB2H221J	CHIP R 220 J 1/2W	M1M2	R480,481			RK73GB2A101J	CHIP R 100 J 1/10W	
R153			RK73FB2B472J	CHIP R 4.7K J 1/8W		R482,483			RK73GB2A103J	CHIP R 10K J 1/10W	
R160			RK73GB2A473J	CHIP R 47K J 1/10W		R484			RK73EB2E2R2J	CHIP R 2.2 J 1/4W	
R161			RK73GB2A104J	CHIP R 100K J 1/10W		R505			RK73GB2A333J	CHIP R 33K J 1/10W	K3M1M2
R162			RK73EB2E103J	CHIP R 10K J 1/4W		R505			RK73GB2A333J	CHIP R 33K J 1/10W	E1E2E3
R170			RK73GB2A104J	CHIP R 100K J 1/10W		R505			RK73GB2A333J	CHIP R 33K J 1/10W	E4E5E6
R171			RK73EB2E103J	CHIP R 10K J 1/4W		R505,506			RK73GB2A473J	CHIP R 47K J 1/10W	K1K2
R190			RK73EB2E102J	CHIP R 1.0K J 1/4W		R506			RK73GB2A223J	CHIP R 22K J 1/10W	K3M1M2
R230			RK73GB2A223J	CHIP R 22K J 1/10W		R506			RK73GB2A223J	CHIP R 22K J 1/10W	E1E2E3
R300-302			RK73GB2A222J	CHIP R 2.2K J 1/10W	E1E2E3	R506			RK73GB2A223J	CHIP R 22K J 1/10W	E4E5E6
R300-302			RK73GB2A222J	CHIP R 2.2K J 1/10W	E4E5E6	R508			RK73GB2A331J	CHIP R 330 J 1/10W	
R303			RK73GB2A102J	CHIP R 1.0K J 1/10W	E1E2E3	R509			RK73GB2A133J	CHIP R 13K J 1/10W	K3M1M2
R303			RK73GB2A102J	CHIP R 1.0K J 1/10W	E4E5E6	R509			RK73GB2A133J	CHIP R 13K J 1/10W	E1E2E3
R305			RK73GB2A512J	CHIP R 5.1K J 1/10W	E1E2E3	R509			RK73GB2A133J	CHIP R 13K J 1/10W	E4E5E6
R305			RK73GB2A512J	CHIP R 5.1K J 1/10W	E4E5E6	R509			RK73GB2A153J	CHIP R 15K J 1/10W	K1K2
R306			RK73GB2A223J	CHIP R 22K J 1/10W	E1E2E3	R511			RK73GB2A100J	CHIP R 10 J 1/10W	
R306			RK73GB2A223J	CHIP R 22K J 1/10W	E4E5E6	R513			RK73GB2A104J	CHIP R 100K J 1/10W	
R307			RK73GB2A222J	CHIP R 2.2K J 1/10W	E1E2E3	R514			RK73FB2B332J	CHIP R 3.3K J 1/8W	K3M1M2
R307			RK73GB2A222J	CHIP R 2.2K J 1/10W	E4E5E6	R514			RK73FB2B332J	CHIP R 3.3K J 1/8W	E1E2E3
R308,309			RK73GB2A104J	CHIP R 100K J 1/10W	E1E2E3	R514			RK73FB2B332J	CHIP R 3.3K J 1/8W	E4E5E6
R308,309			RK73GB2A104J	CHIP R 100K J 1/10W	E4E5E6	R515			RK73GB2A473J	CHIP R 47K J 1/10W	K3M1M2
R321			RK73GB2A223J	CHIP R 22K J 1/10W		R515			RK73GB2A473J	CHIP R 47K J 1/10W	E1E2E3
R322			RK73FB2B821J	CHIP R 820 J 1/8W		R515			RK73GB2A473J	CHIP R 47K J 1/10W	E4E5E6
R323,324			RK73GB2A471J	CHIP R 470 J 1/10W		R516			RK73GB2A102J	CHIP R 1.0K J 1/10W	
R400,401			RK73GB2A331J	CHIP R 330 J 1/10W		R600			RK73GB2A222J	CHIP R 2.2K J 1/10W	
R402,403			RK73GB2A223J	CHIP R 22K J 1/10W		R601			RK73GB2A225J	CHIP R 2.2M J 1/10W	
R404,405			RK73FB2B181J	CHIP R 180 J 1/8W		R602			RK73GB2A104J	CHIP R 100K J 1/10W	
R410,411			RK73GB2A331J	CHIP R 330 J 1/10W	K1K2M1	R603,604			RK73GB2A103J	CHIP R 10K J 1/10W	
R410,411			RK73GB2A331J	CHIP R 330 J 1/10W	M2	R605			RK73GB2A104J	CHIP R 100K J 1/10W	
R412,413			RK73GB2A223J	CHIP R 22K J 1/10W	K1K2M1	R606			RK73GB2A102J	CHIP R 1.0K J 1/10W	

**K1** : KDC-X492 **K2** : KDC-MP438U **K3** : KDC-MP408U **M1** : KDC-MP5539U  
**M2** : KDC-MP5039U **E1** : KDC-W5541U **E2** : KDC-W5041UA **E3** : KDC-W5041UG  
**E4** : KDC-W5641UY **E5** : KDC-W5141UAY **E6** : KDC-W5141UGY

△ Indicates safety critical components.

# PARTS LIST

## ELECTRIC UNIT (X34-577x-xx)

Ref. No.	A d d	N e w	Parts No.	Description	Desti- nation	Ref. No.	A d d	N e w	Parts No.	Description	Desti- nation
R608,609			RK73GB2A473J	CHIP R 47K J 1/10W		R706			RK73GB2A223J	CHIP R 22K J 1/10W	
R610,611			RK73GB2A102J	CHIP R 1.0K J 1/10W		R707			RK73GB2A104J	CHIP R 100K J 1/10W	
R612,613			RK73GB2A472J	CHIP R 4.7K J 1/10W		R708			RK73GB2A101J	CHIP R 100 J 1/10W	
R614			RK73GB2A104J	CHIP R 100K J 1/10W		R709,710			RK73GB2A102J	CHIP R 1.0K J 1/10W	
R615			RK73GB2A473J	CHIP R 47K J 1/10W		R711			RK73GB2A223J	CHIP R 22K J 1/10W	
R617			RK73GB2A104J	CHIP R 100K J 1/10W		R713			RK73GB2A101J	CHIP R 100 J 1/10W	
R618			RK73GB2A471J	CHIP R 470 J 1/10W		R714			RK73GB2A223J	CHIP R 22K J 1/10W	
R619,620			RK73GB2A104J	CHIP R 100K J 1/10W		R715			RK73GB2A102J	CHIP R 1.0K J 1/10W	
R621			RK73GB2A471J	CHIP R 470 J 1/10W		R716-719			RK73GB2A101J	CHIP R 100 J 1/10W	
R622			RK73GB2A223J	CHIP R 22K J 1/10W		R720			RK73GB2A223J	CHIP R 22K J 1/10W	
R623,624			RK73GB2A101J	CHIP R 100 J 1/10W		R721			RK73GB2A101J	CHIP R 100 J 1/10W	K3M2E2
R628			RK73GB2A101J	CHIP R 100 J 1/10W		R721			RK73GB2A101J	CHIP R 100 J 1/10W	E3E5E6
R629			RK73GB2A222J	CHIP R 2.2K J 1/10W		R721,722			RK73GB2A101J	CHIP R 100 J 1/10W	K1K2M1
R633,634			RK73GB2A392J	CHIP R 3.9K J 1/10W		R721,722			RK73GB2A101J	CHIP R 100 J 1/10W	E1E4
R636			RK73GB2A223J	CHIP R 22K J 1/10W	K2M2E2	R723			RK73GB2A223J	CHIP R 22K J 1/10W	K1K2M1
R636			RK73GB2A223J	CHIP R 22K J 1/10W	E3E5E6	R723			RK73GB2A223J	CHIP R 22K J 1/10W	E1E4
R636			RK73GB2A473J	CHIP R 47K J 1/10W	K1M1E1	R724			RK73GB2A101J	CHIP R 100 J 1/10W	
R636			RK73GB2A473J	CHIP R 47K J 1/10W	E4	R725			RK73GB2A472J	CHIP R 4.7K J 1/10W	
R636-638			RK73GB2A473J	CHIP R 47K J 1/10W	K3	R726			RK73GB2A000J	CHIP R 0.0 J 1/10W	
R637			RK73GB2A473J	CHIP R 47K J 1/10W	M2	R727			RK73GB2A105J	CHIP R 1.0M J 1/10W	
R637-639			RK73GB2A473J	CHIP R 47K J 1/10W	E2E3	R728			RK73GB2A223J	CHIP R 22K J 1/10W	
R637,638			RK73GB2A473J	CHIP R 47K J 1/10W	K2E5E6	R729			RK73GB2A330J	CHIP R 33 J 1/10W	
R638			RK73GB2A223J	CHIP R 22K J 1/10W	M1M2	R730			RK73GB2A153J	CHIP R 15K J 1/10W	
R638			RK73GB2A473J	CHIP R 47K J 1/10W	K1E4	R731			RK73GB2A330J	CHIP R 33 J 1/10W	
R638,639			RK73GB2A473J	CHIP R 47K J 1/10W	E1	R732			RK73GB2A153J	CHIP R 15K J 1/10W	
R639			RK73GB2A223J	CHIP R 22K J 1/10W	E4E5E6	R733			RK73GB2A472J	CHIP R 4.7K J 1/10W	
R639			RK73GB2A473J	CHIP R 47K J 1/10W	M1M2	R734-737			RK73GB2A101J	CHIP R 100 J 1/10W	
R640			RK73GB2A222J	CHIP R 2.2K J 1/10W		R738			RK73GB2A223J	CHIP R 22K J 1/10W	
R642			RK73GB2A104J	CHIP R 100K J 1/10W		R739,740			RK73GB2A101J	CHIP R 100 J 1/10W	
R643			RK73GB2A223J	CHIP R 22K J 1/10W		R742			RK73GB2A101J	CHIP R 100 J 1/10W	
R644			RK73GB2A101J	CHIP R 100 J 1/10W		R744-746			RK73GB2A101J	CHIP R 100 J 1/10W	
R645			RK73GB2A473J	CHIP R 47K J 1/10W		R747			RK73GB2A223J	CHIP R 22K J 1/10W	
R647			RK73GB2A222J	CHIP R 2.2K J 1/10W		R749			RK73GB2A223J	CHIP R 22K J 1/10W	
R648			RK73GB2A473J	CHIP R 47K J 1/10W		R750			RK73GB2A515J	CHIP R 5.1M J 1/10W	K1K2M1
R649			RK73GB2A101J	CHIP R 100 J 1/10W		R750			RK73GB2A515J	CHIP R 5.1M J 1/10W	E1E4
R650			RK73GB2A473J	CHIP R 47K J 1/10W		R751			RK73GB2A473J	CHIP R 47K J 1/10W	K1K2M1
R660			RK73EB2E102J	CHIP R 1.0K J 1/4W		R751			RK73GB2A473J	CHIP R 47K J 1/10W	E1E4
R661			RK73EB2E222J	CHIP R 2.2K J 1/4W		R752,753			RK73GB2A101J	CHIP R 100 J 1/10W	K1K2M1
R662			RK73EB2E101J	CHIP R 100 J 1/4W		R752,753			RK73GB2A101J	CHIP R 100 J 1/10W	E1E4
R663			RK73EB2E102J	CHIP R 1.0K J 1/4W		R754,755			RK73GB2A473J	CHIP R 47K J 1/10W	K1K2M1
R664			RK73EB2E101J	CHIP R 100 J 1/4W		R754,755			RK73GB2A473J	CHIP R 47K J 1/10W	E1E4
R665			RK73EB2E102J	CHIP R 1.0K J 1/4W		R756			RK73GB2A101J	CHIP R 100 J 1/10W	K1K2M1
R666,667			RK73EB2E101J	CHIP R 100 J 1/4W		R756			RK73GB2A101J	CHIP R 100 J 1/10W	E1E4
R668,669			RK73EB2E102J	CHIP R 1.0K J 1/4W		R757			RK73GB2A473J	CHIP R 47K J 1/10W	K1K2M1
R680			RK73GB2A223J	CHIP R 22K J 1/10W		R757			RK73GB2A473J	CHIP R 47K J 1/10W	E1E4
R681			RK73GB2A101J	CHIP R 100 J 1/10W		R758			RK73GH2A104D	CHIP R 100K D 1/10W	K1K2M1
R683,684			RK73GB2A101J	CHIP R 100 J 1/10W		R758			RK73GH2A104D	CHIP R 100K D 1/10W	E1E4
R685			RK73GB2A223J	CHIP R 22K J 1/10W		R762-764			RK73GB2A473J	CHIP R 47K J 1/10W	K1K2M1
R686			RK73GB2A101J	CHIP R 100 J 1/10W		R762-764			RK73GB2A473J	CHIP R 47K J 1/10W	E1E4
R687			RK73GB2A223J	CHIP R 22K J 1/10W		R767			RK73GB2A223J	CHIP R 22K J 1/10W	
R688,689			RK73GB2A101J	CHIP R 100 J 1/10W		R768			RK73GB2A333J	CHIP R 33K J 1/10W	K1K2M1
R700			RK73GB2A102J	CHIP R 1.0K J 1/10W		R768			RK73GB2A333J	CHIP R 33K J 1/10W	E1E4
R701			RK73GB2A101J	CHIP R 100 J 1/10W		W100			R92-2053-05	CHIP R 0 OHM J 1/8W	K2K3M1
R704			RK73GB2A223J	CHIP R 22K J 1/10W		W100			R92-2053-05	CHIP R 0 OHM J 1/8W	M2E1E2
R705			RK73GB2A101J	CHIP R 100 J 1/10W		W100			R92-2053-05	CHIP R 0 OHM J 1/8W	E3E4E5

**K1** : KDC-X492 **K2** : KDC-MP438U **K3** : KDC-MP408U **M1** : KDC-MP5539U  
**M2** : KDC-MP5039U **E1** : KDC-W5541U **E2** : KDC-W5041UA **E3** : KDC-W5041UG  
**E4** : KDC-W5641UY **E5** : KDC-W5141UAY **E6** : KDC-W5141UGY

△ Indicates safety critical components.

# PARTS LIST

## ELECTRIC UNIT (X34-577x-xx)

Ref. No.	Add	New	Parts No.	Description	Destination	Ref. No.	Add	New	Parts No.	Description	Destination
W100			R92-2053-05	CHIP R 0 OHM J 1/8W	E6	IC700		*	92CD28AFG	MICROCONTROLLER IC	
W140			R92-1252-05	CHIP R 0 OHM J 1/16W	E1E2E3	IC750			341S2094	MICROPROCESSOR IC	K1K2M1
W140			R92-1252-05	CHIP R 0 OHM J 1/16W	E4E5E6	IC750			341S2094	MICROPROCESSOR IC	E1E4
W321			R92-2053-05	CHIP R 0 OHM J 1/8W		Q10			KTA1046-P	TRANSISTOR	
W500			R92-1252-05	CHIP R 0 OHM J 1/16W	K3M1M2	Q11			KRA303-P	DIGITAL TRANSISTOR	
W500			R92-1252-05	CHIP R 0 OHM J 1/16W	E1E2E3	Q12			KRC403-P	DIGITAL TRANSISTOR	
W500			R92-1252-05	CHIP R 0 OHM J 1/16W	E4E5E6	Q20			KTA1046-P	TRANSISTOR	
W501,502			R92-1252-05	CHIP R 0 OHM J 1/16W	K1K2	Q21			2SC4081	TRANSISTOR	
W705			R92-1252-05	CHIP R 0 OHM J 1/16W		Q22			2SA1576A	TRANSISTOR	
						Q23			KRC403-P	DIGITAL TRANSISTOR	
D1			S2V60-5009F46	DIODE		Q30			KTA1046-P	TRANSISTOR	
D20			RB160L-40	DIODE		Q31			2SC4081	TRANSISTOR	
D21			UDZW5.6(B)	ZENER DIODE		Q32			KRA303-P	DIGITAL TRANSISTOR	
D30		*	UDZW8.2(B)	ZENER DIODE		Q33			KRC403-P	DIGITAL TRANSISTOR	
D40		*	UDZW12(B)	ZENER DIODE		Q40			KTA1046-P	TRANSISTOR	
D50		*	UDZW20(B)	ZENER DIODE		Q41			2SC4081	TRANSISTOR	
D60			RB060M-30	DIODE		Q42			KRA303-P	DIGITAL TRANSISTOR	
D100		*	UDZW12(B)	ZENER DIODE	K1	Q43			KRC403-P	DIGITAL TRANSISTOR	
D101			UDZW5.6(B)	ZENER DIODE	K1	Q50			2SB1184(Q,R)	TRANSISTOR	
D102			1SR154-400	DIODE	K1	Q51			2SC4081	TRANSISTOR	
D103			DAP202U	DIODE	K1	Q100			2SB1443	TRANSISTOR	K1
D121,122			UDZW6.8(B)	ZENER DIODE		Q101			2SC4081	TRANSISTOR	K1
D123		*	UDZW6.2(B)	ZENER DIODE		Q103			2SC4081	TRANSISTOR	K1
D140,141			1SR154-400	DIODE		Q104			KRA303-P	DIGITAL TRANSISTOR	K1
D142			1SS355	DIODE		Q105			KRC403-P	DIGITAL TRANSISTOR	K1
D150,151			1SR154-400	DIODE		Q120			2SC4081	TRANSISTOR	
D160			UDZW4.7(B)	ZENER DIODE		Q122,123			2SC4081	TRANSISTOR	
D190		*	UDZW6.2(B)	ZENER DIODE		Q140			2SB1188(Q,R)	TRANSISTOR	
D400			DAP202U	DIODE		Q141			2SA1576A	TRANSISTOR	
D410			DAP202U	DIODE	K1K2M1	Q142			RT1P141M	TRANSISTOR	
D410			DAP202U	DIODE	M2	Q143			RT1N144M	TRANSISTOR	
D440-442			UDZW6.8(B)	ZENER DIODE		Q143			RT1N144M	TRANSISTOR	
D443		*	UDZW6.2(B)	ZENER DIODE		Q150			2SB1188(Q,R)	TRANSISTOR	K1K2K3
D448		*	UDZW6.2(B)	ZENER DIODE		Q150			2SB1188(Q,R)	TRANSISTOR	M1M2
D451-453			UDZW6.8(B)	ZENER DIODE		Q151			RT1N144M	TRANSISTOR	K1K2K3
D482-484			DAP202U	DIODE		Q151			RT1N144M	TRANSISTOR	M1M2
D501			DAP202U	DIODE		Q170			KRC404-P	DIGITAL TRANSISTOR	
D700,701			AVRL1613R3FTA	VARIATOR		Q320			2SB1689	TRANSISTOR	
IC10			M5237ML-CF0J	ANALOGUE IC		Q321			KRC403-P	DIGITAL TRANSISTOR	
IC20			R1114N331B-TR	ANALOGUE IC (3.3V LF)		Q367,368			KRC410-P	DIGITAL TRANSISTOR	K1K2
IC60			BD9781HFP	ANALOGUE IC		Q400			KRA303-P	DIGITAL TRANSISTOR	
IC100			TA75S558F-F	ANALOGUE IC	K1	Q401,402			KRC410-P	DIGITAL TRANSISTOR	
IC230		*	STMP52151STR	MOS-IC		Q410			KRA303-P	DIGITAL TRANSISTOR	K1K2M1
IC300			E-TDA7478AD	ANALOGUE IC	E1E2E3	Q410			KRA303-P	DIGITAL TRANSISTOR	M2
IC300			E-TDA7478AD	ANALOGUE IC	E4E5E6	Q411,412			KRC410-P	DIGITAL TRANSISTOR	K1K2M1
IC480			E-TDA7415CB	ANALOGUE IC		Q411,412			KRC410-P	DIGITAL TRANSISTOR	M2
IC500		*	KKZ11Z	ANALOGUE IC	K1K2	Q500			RT1N144M	TRANSISTOR	K3M1M2
IC500		*	KKZ12Z	ANALOGUE IC	K3M1M2	Q500			RT1N144M	TRANSISTOR	E1E2E3
IC500		*	KKZ12Z	ANALOGUE IC	E1E2E3	Q500			RT1N144M	TRANSISTOR	E4E5E6
IC500		*	KKZ12Z	ANALOGUE IC	E4E5E6	Q660			KRA307-P	DIGITAL TRANSISTOR	
IC600		*	30622MGPB58GP	MICROCONTROLLER IC		Q702			RT1N144M	TRANSISTOR	
IC601			XC6120N362N1	MOS-IC		Q703			2SB1689	TRANSISTOR	
IC603			74HC2G02DP	MOS-IC		Q704,705			RT1N144M	TRANSISTOR	
IC680		*	74AHCT08PW	MOS-IC		TH500			PRF18BE471QS2	POSITIVE RESISTOR	
IC682		*	74LVC08APW	MOS-IC		A320	2D		X86-4032-70	FRONT-END UNIT	E1E2E3

**K1** : KDC-X492 **K2** : KDC-MP438U **K3** : KDC-MP408U **M1** : KDC-MP5539U  
**M2** : KDC-MP5039U **E1** : KDC-W5541U **E2** : KDC-W5041UA **E3** : KDC-W5041UG  
**E4** : KDC-W5641UY **E5** : KDC-W5141UAY **E6** : KDC-W5141UGY

△ Indicates safety critical components.

# PARTS LIST

## ELECTRIC UNIT (X34-577x-xx)

Ref. No.	A d	N e w	Parts No.	Description	Desti- nation
A1	2D		X86-4032-70	FRONT-END UNIT	E4E5E6
A1	2D	*	X86-4160-11	FRONT-END UNIT	K1K2K3
A1	2D	*	X86-4160-11	FRONT-END UNIT	M1M2
<b>MECHANISM ASSY (X92-6130-00) DXM-6E20W</b>					
1	2B		A10-5328-31	CHASSIS	
2	1B		A10-5329-11	CHASSIS	
5	2B		D10-4910-13	ARM ASSY	
8	2A		D10-4911-23	LEVER ASSY	
10	2A		D10-4906-33	ARM	
11	2A		D10-4907-33	ARM	
12	3A		D10-4908-03	ARM	
13	3A		D10-4909-03	ARM	
14	3B		D10-4915-03	ARM	
15	2A		D10-4916-23	SLIDER	
16	3B		D10-4914-22	SLIDER	
17	2B		D10-4588-13	SLIDER	
18	2B		D10-4917-04	ARM	
19	2B		D10-4596-24	ARM	
22	2A		D13-2151-04	GEAR	
23	2B		D13-2152-04	GEAR	
24	3B		D13-2153-04	GEAR	
25	3B		D13-2154-04	GEAR	
26	3B		D13-2155-04	WORM	
27	2B		D13-2156-14	GEAR	
28	3B		D13-2157-04	GEAR	
29	2B		D13-2158-04	GEAR	
30	2B		D13-2168-04	GEAR	
31	3B		D13-2171-04	GEAR	
32	1B		D13-2400-13	RACK (GEAR)	
33	2A		D14-0759-04	ROLLER	
35	2B		D21-2382-04	SHAFT	
36	1A		D23-0954-04	RETAINER	
37	1B	*	D39-0271-05	DAMPER	
38	2B		G01-3072-04	EXTENSION SPRING	
39	2A		G01-3073-04	TORSION COIL SPRING	
40	2A		G01-3074-04	EXTENSION SPRING	
41	1B		G01-4615-04	EXTENSION SPRING	
42	2A		G01-3076-04	EXTENSION SPRING	
43	1B		G01-3077-14	EXTENSION SPRING	
44	2B		G02-1399-14	FLAT SPRING	
45	2B		G02-1547-14	FLAT SPRING	
51	1A		J22-0473-21	MOUNTING HARDWARE	
52	3B		J22-0474-12	MOUNTING HARDWARE	
53	1B		J22-0519-13	MOUNTING HARDWARE	
55	1A		J90-1138-41	GUIDE	
56	1B		J90-1023-03	GUIDE	
DPC1	3A		J86-0039-05	FPC (LEAD FREE)	
A	2B		N09-4460-15	TAPTITE SCREW (PT2X8)	
B	1B		N09-6317-05	TAPTITE SCREW (1.6X6.0)	
C	2B		N09-6004-15	MACHINE SCREW (M1.7X2.5)	
E	2B		N09-6007-15	MACHINE SCREW (M2X2)	
F	1A		N09-6051-15	TAPTITE SCREW (PT2X5)	

Ref. No.	A d	N e w	Parts No.	Description	Desti- nation
G	2A		N19-2163-04	FLAT WASHER (1.6X6X0.25)	
H	1B		N39-2020-48	PAN HEAD MACHINE SCREW (M2X2)	
J	1B		N09-6108-15	TAPTITE SCREW (M2X3.5)	
K	3B		N09-6155-15	SEMS (TAPTITE SCREW) (PT2X6)	
DM1	3B		T42-1066-14	DC MOTOR (SPINDLE)	
DM2	2B		T42-1067-14	DC MOTOR (LOADING/SLED)	
DPU1	2B		X93-2130-01	OPTICAL PICKUP ASSY	