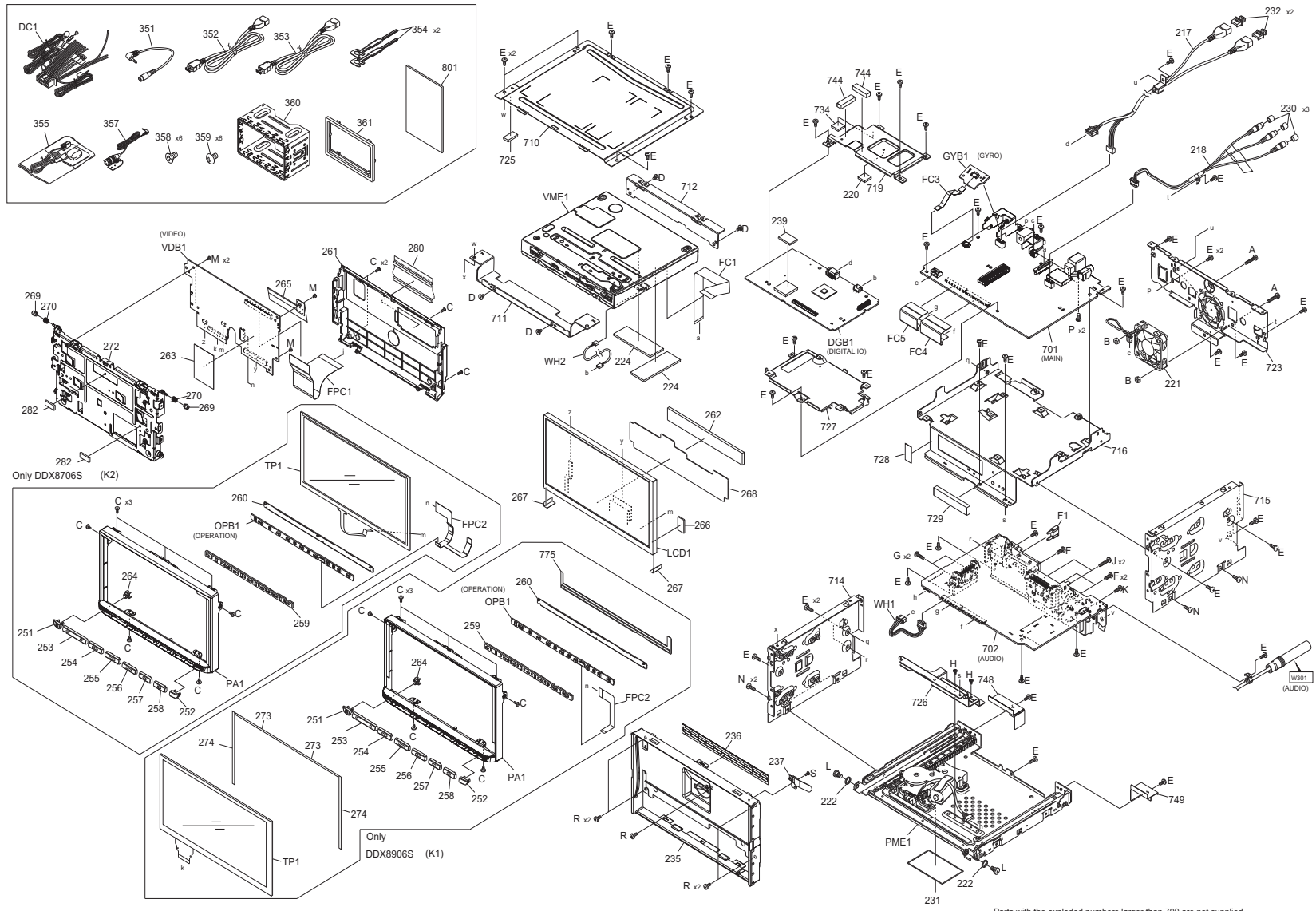


EXPLODED VIEW (UNIT)



| MODEL | MARK | MODEL | MARK |
|----------|------|----------|------|
| DDX8706S | K2 | DDX8906S | K1 |

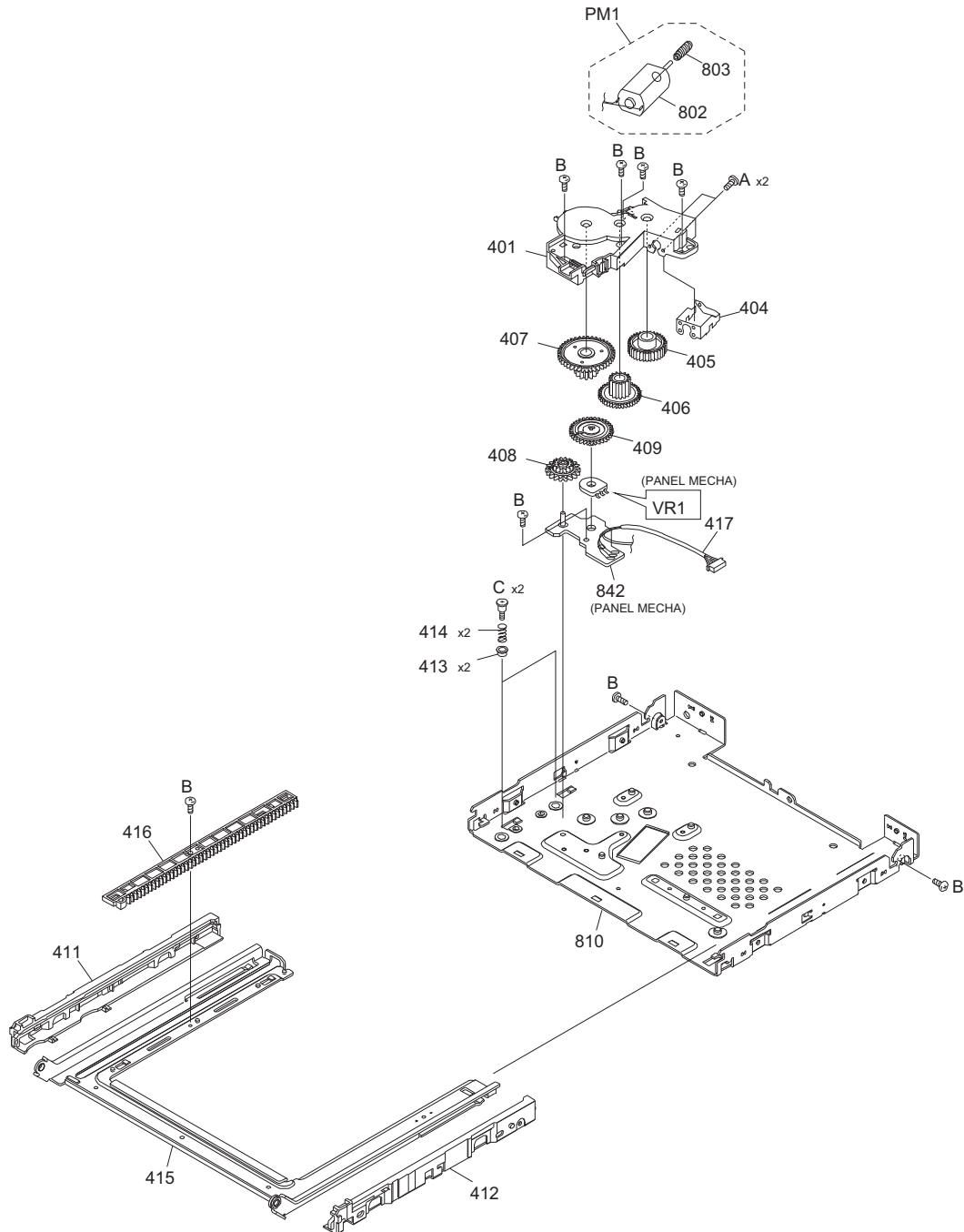
| Safe | Symbol No. | Parts No. | Parts Name | Description | QTY | Local |
|--|------------|---------------|-----------------|-----------------|-----|-------|
| EXPLODED VIEW (UNIT) <M1MM> | | | | | | |
| △ | DC1 | E3A-0578-00 | DC CORD | | 1 | |
| | DGB1 | CB-XJA067K05N | DIGITAL IO PWB | XJA-067K-05 | 1 | K2 |
| | DGB1 | CB-XJA067K04N | DIGITAL IO PWB | XJA-067K-04 | 1 | K1 |
| | GYB1 | CB-XJ5005K00N | GYRO PWB | XJ5-005K-00 | 1 | |
| | OPB1 | CB-XJ7042K00N | OPERATION PWB | XJ7-042K-00 | 1 | |
| | VDB1 | ----- | VIDEO PWB | NO SERVICE PART | 1 | K2 |
| | VDB1 | CB-XJ8066K00N | VIDEO PWB | XJ8-066K-00 | 1 | K1 |
| △ | F1 | FZB10AU-150 | BLADE FUSE | | 1 | |
| | FC1 | E3F-0111-00 | FLAT CABLE | | 1 | |
| | FC3 | E3G-0129-00 | FFC WIRE | | 1 | |
| | FC4 | EF0AD0560X4BC | FFC WIRE | | 1 | |
| | FC5 | EF0AD0550X4BC | FFC WIRE | | 1 | |
| | FPC1 | J8K-0012-10 | FLEX P.BOARD | | 1 | |
| | FPC2 | E3J-0046-00 | FPC | | 1 | K2 |
| | FPC2 | E3J-0011-00 | FPC | | 1 | K1 |
| | LCD1 | B3H-0134-00 | LCD | | 1 | |
| | PA1 | A6C-0125-0Q | PANEL | | 1 | K2 |
| | PA1 | A6C-0115-08 | PANEL | | 1 | K1 |
| | PME1 | X92-676W-01 | MECHANISM ASSY | | 1 | |
| | TP1 | W0C-0196-00 | TOUCH PANEL | | 1 | K2 |
| | TP1 | W0C-0329-00 | TOUCH PANEL | | 1 | K1 |
| | VME1 | FD2-3A00NXN | DVD MECHA MODUL | | 1 | |
| | WH1 | E3F-0116-00 | WIRING HARNESS | | 1 | |
| | WH2 | E3K-0438-10 | WIRING HARNESS | | 1 | |
| | A | LV45522-001A | SPECIAL SCREW | | 2 | |
| | B | QYN2S2600ZA | NUT | M2.6 | 2 | |
| | C | LV45701-003A | SPECIAL SCREW | | 11 | |
| | D | LV45552-003A | SPECIAL SCREW | | 4 | |
| | E | QYSDST2606ZA | TAP SCREW | M2.6 x 6.0mm | 42 | |
| | F | QYSPSG3008ZA | TAP SCREW | M3.0 x 8.0mm | 3 | |
| | G | QYSDST2610ZA | TAP SCREW | M2.6 x 10.0mm | 2 | |
| | H | VKZ4539-054 | MINI SCREW | | 2 | |
| | J | QYSPST2614ZA | TAP SCREW | M2.6 x 14.0mm | 2 | |
| | K | QYSDSF2608ZA | TAP SCREW | M2.6 x 8.0mm | 1 | |
| | L | N09-6909-05 | STEPPED SCREW | | 2 | |
| | M | QYSDST2005ZA | TAP SCREW | M2.0 x 5.0mm | 4 | |
| | N | N0Z-0150-00 | TAPTITE SCREW | | 4 | |
| | P | QYSDSG3006ZA | TAP SCREW | M3.0 x 6.0mm | 2 | |
| | R | QYSDST2606MA | TAP SCREW | M2.6 x 6.0mm | 5 | |
| | S | N09-6904-05 | TAPTITE SCREW | | 1 | |
| | 217 | E3A-0362-10 | CORD W.CON. | | 1 | |
| | 218 | E3A-0421-00 | CORD W.CON. | | 1 | |
| | 220 | LV46006-002A | COOLING RUBBER | | 1 | |
| | 221 | F0K-0264-00 | FAN | | 1 | |
| | 222 | G1A-0048-00 | CUSHION | | 2 | |
| | 224 | G1B-0071-0G | CUSHION | | 2 | |
| | 230 | F2K-0012-00 | INS.COVER | | 3 | |
| | 231 | G1B-0346-00 | SHEET | | 1 | |
| | 232 | F0G-0282-00 | J.COVER(USB) | | 2 | |
| | 235 | A2C-0034-0T | SUB PANEL | | 1 | K2 |
| | 235 | A2C-0034-0S | SUB PANEL | | 1 | K1 |
| | 236 | LV45134-003A | BLIND | | 1 | |
| | 237 | B1K-0049-00 | LIGHTING BOARD | | 1 | |
| | 239 | G1D-0034-0U | CONDUCT CUSHION | | 1 | |
| | 251 | A2B-0103-03 | DRESSING PANEL | | 1 | K2 |
| | 251 | A2B-0103-02 | DRESSING PANEL | | 1 | K1 |
| | 252 | A2B-0104-03 | DRESSING PANEL | | 1 | K2 |
| | 252 | A2B-0104-02 | DRESSING PANEL | | 1 | K1 |
| | 253 | K2K-0235-01 | KNOB ASSY | | 1 | K2 |
| | 253 | K2K-0235-00 | KNOB ASSY | | 1 | K1 |
| | 254 | K2K-0236-12 | KNOB ASSY | | 1 | K2 |
| | 254 | K2K-0236-11 | KNOB ASSY | | 1 | K1 |
| | 255 | K2K-0237-02 | KNOB ASSY | | 1 | K2 |
| | 255 | K2K-0237-01 | KNOB ASSY | | 1 | K1 |
| | 256 | K2K-0238-12 | KNOB ASSY | | 1 | K2 |
| | 256 | K2K-0238-11 | KNOB ASSY | | 1 | K1 |
| | 257 | K2K-0239-15 | KNOB ASSY | | 1 | K2 |
| | 257 | K2K-0239-11 | KNOB ASSY | | 1 | K1 |
| | 258 | K2K-0240-11 | KNOB ASSY | | 1 | K2 |
| | 258 | K2K-0240-10 | KNOB ASSY | | 1 | K1 |
| | 259 | B1K-0071-02 | LIGHTING BOARD | | 1 | K2 |
| | 259 | B1K-0071-00 | LIGHTING BOARD | | 1 | K1 |
| | 260 | J1K-0419-10 | HOLDER | | 1 | |
| | 261 | A4G-0045-00 | REAR COVER | | 1 | |
| | 262 | G1B-0262-00 | CUSHION | | 1 | K2 |
| | 263 | LV45936-001A | SPACER | | 1 | |
| | 264 | B1A-0070-00 | FRONT GLASS | | 1 | |
| | 265 | LV45980-001A | SHIELD SHEET | | 1 | |
| | 266 | G1B-0030-02 | SOFT TAPE | | 1 | K2 |
| | 267 | G1G-0055-08 | SHEET | | 2 | |
| | 268 | F1C-0186-00 | CONDUCT SHEET | | 1 | |
| | 269 | LV44469-001A | ROLLER | | 2 | |
| | 270 | LV44468-002A | SPRING | | 2 | |
| | 272 | J2B-0226-01 | BRACKET ASSY | | 1 | |
| | 273 | F0K-0224-00 | SHEET | | 2 | K1 |
| | 274 | F0K-0224-01 | SHEET | | 2 | K1 |
| | 280 | F1K-0041-00 | COVER SHEET | | 1 | |
| | 282 | G1D-0034-02 | CONDUCT CUSHION | | 2 | |
| | 351 | E3A-0620-00 | CORD W.PINJACK | | 1 | K1 |
| | 352 | E3A-0364-00 | USB CORD | BLACK | 1 | |
| | 353 | E3A-0365-00 | USB CORD | GRAY | 1 | |

| MODEL | MARK | MODEL | MARK |
|----------|------|----------|------|
| DDX8706S | K2 | DDX8906S | K1 |

| Safe | Symbol No. | Parts No. | Parts Name | Description | QTY | Local |
|------|------------|--------------|-----------------|-----------------|-----|-------|
| | 354 | LV45516-001A | LEVER | | 2 | |
| | 355 | T9A-0070-00 | ANTENNA ASSY | | 1 | |
| | 357 | T9B-0066-00 | MICROPHONE | | 1 | |
| | 358 | QYSSSP5008ZA | SCREW | M5.0 x 8.0mm | 6 | |
| | 359 | QYSTSP5008ZA | SCREW | M5.0 x 8.0mm | 6 | |
| | 360 | LV22876-001A | SLEEVE ASSY | | 1 | |
| | 361 | B07-3237-41 | ESCUTCHEON | | 1 | |
| | 701 | ----- | MAIN PWB | NO SERVICE PART | 1 | |
| | 702 | ----- | AUDIO PWB | NO SERVICE PART | 1 | K2 |
| | 702 | ----- | AUDIO PWB | NO SERVICE PART | 1 | K1 |
| | 710 | ----- | TOP PLATE | NO SERVICE PART | 1 | |
| | 711 | ----- | BRACKET | NO SERVICE PART | 1 | |
| | 712 | ----- | BRACKET | NO SERVICE PART | 1 | |
| | 714 | ----- | SIDE PLATE | NO SERVICE PART | 1 | |
| | 715 | ----- | SIDE PLATE | NO SERVICE PART | 1 | |
| | 716 | ----- | SUB CHASSIS | NO SERVICE PART | 1 | |
| | 719 | ----- | HEAT SINK | NO SERVICE PART | 1 | |
| | 723 | ----- | REAR PANEL | NO SERVICE PART | 1 | |
| | 725 | ----- | CONDUCT CUSHION | NO SERVICE PART | 1 | |
| | 726 | ----- | BRACKET | NO SERVICE PART | 1 | |
| | 727 | ----- | BRACKET | NO SERVICE PART | 1 | |
| | 728 | ----- | SPACER(H) | NO SERVICE PART | 1 | |
| | 729 | ----- | CONDUCT CUSHION | NO SERVICE PART | 1 | |
| | 734 | ----- | COOL SHEET | NO SERVICE PART | 1 | |
| | 744 | ----- | CONDUCT CUSHION | NO SERVICE PART | 2 | |
| | 748 | ----- | BRACKET | NO SERVICE PART | 1 | |
| | 749 | ----- | BRACKET | NO SERVICE PART | 1 | |
| | 775 | ----- | HOLDER ASSY | NO SERVICE PART | 1 | K1 |
| | 801 | ----- | GUIDE BOOK | NO SERVICE PART | 1 | |

EXPLODED VIEW (PANEL MECHA ASSY)

Block No.M2MM



Parts with the exploded numbers larger than 800 are not supplied.

No.WA388

created date:2019-05-10

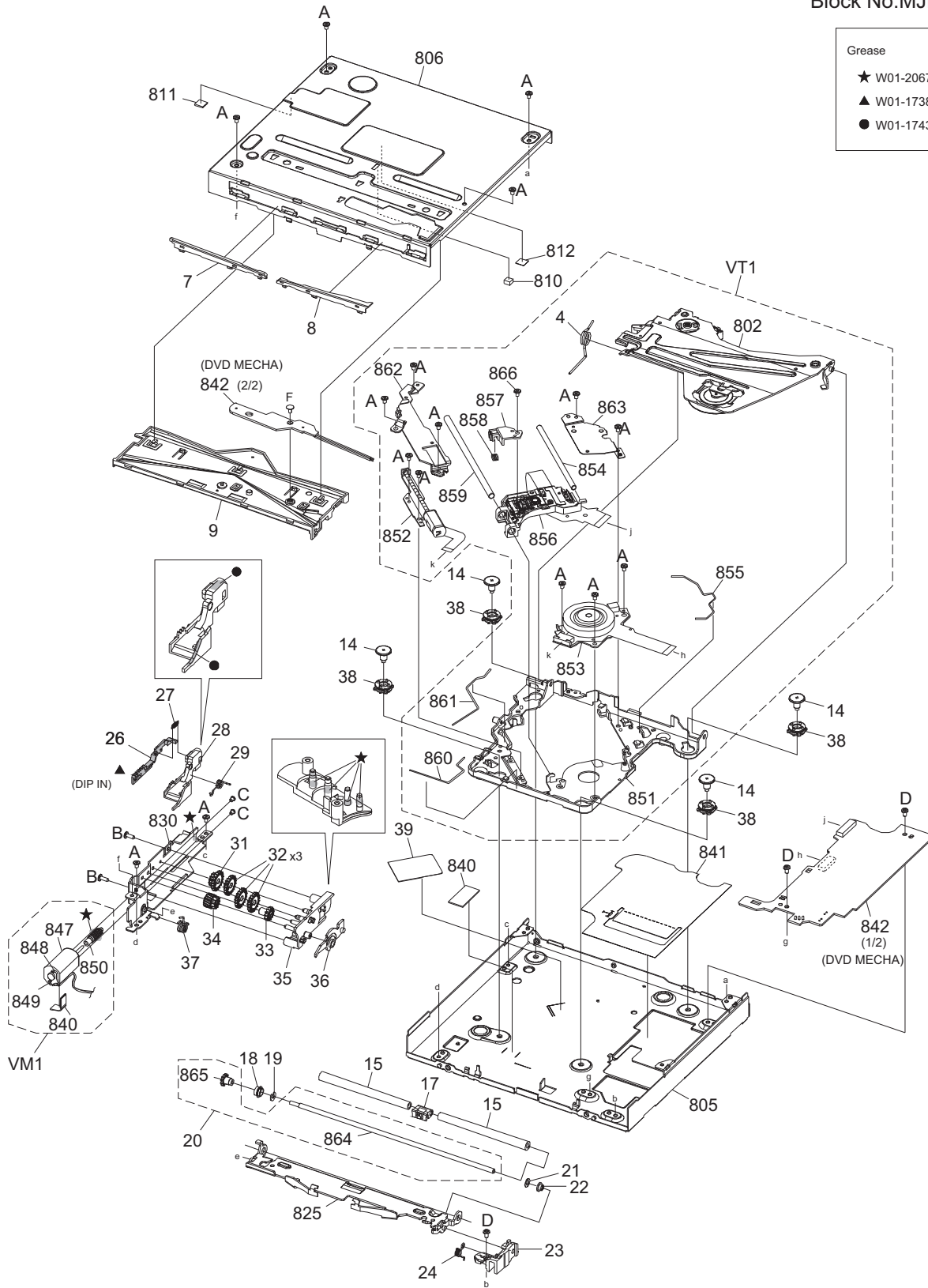
| | | | |
|----------|------|----------|------|
| MODEL | MARK | MODEL | MARK |
| DDX8706S | K2 | DDX8906S | K1 |

| Safe | Symbol No. | Parts No. | Parts Name | Description | QTY | Local |
|--|------------|-------------|-----------------|-----------------|-----|-------|
| EXPLODED VIEW (PANEL MECHA ASSY) <M2MM> | | | | | | |
| | PM1 | XKL-0030-00 | MOTOR ASSY | | 1 | |
| | A | N09-6886-05 | MACHINE SCREW | | 2 | |
| | B | N0Z-0159-00 | TAPTITE SCREW | | 8 | |
| | C | N09-6899-05 | STEPPED SCREW | | 2 | |
| | 401 | J19-7350-01 | HOLDER | | 1 | |
| | 404 | G02-1923-23 | FLAT SPRING | | 1 | |
| | 405 | D13-3089-03 | GEAR(WHEEL) | | 1 | |
| | 406 | D13-3090-03 | GEAR(ACT) | | 1 | |
| | 407 | D13-3091-13 | GEAR(DRIVE) | | 1 | |
| | 408 | D13-3092-13 | GEAR(S.ACT) | | 1 | |
| | 409 | D13-3093-03 | GEAR(SENSOR) | | 1 | |
| | 411 | J9A-0010-10 | SLIDE RAIL L | | 1 | |
| | 412 | J9A-0011-10 | SLIDE RAIL R | | 1 | |
| | 413 | D14-1039-04 | ROLLER | | 2 | |
| | 414 | G09-2098-04 | WIRE SPRING | | 2 | |
| | 415 | D1A-0036-10 | SLIDER ASSY | | 1 | |
| | 416 | D13-3094-02 | GEAR(RACK) | | 1 | |
| | 417 | E3K-0198-00 | LEAD WIRE | | 1 | |
| | 802 | ----- | DC MOTOR | NO SERVICE PART | 1 | |
| | 803 | ----- | GEAR(WORM) | NO SERVICE PART | 1 | |
| | 810 | ----- | CHASS.CALK.ASSY | NO SERVICE PART | 1 | |
| | 842 | ----- | PANEL MACHA PWB | NO SERVICE PART | 1 | |

EXPLODED VIEW (DVD MECHANISM: FD2-3A00NXN)

Block No.MJMM

| Grease | |
|--------|-------------|
| ★ | W01-2067-08 |
| ▲ | W01-1738-08 |
| ● | W01-1743-08 |



Parts with the exploded numbers larger than 800 are not supplied.

| MODEL | MARK | MODEL | MARK |
|----------|------|----------|------|
| DDX8706S | K2 | DDX8906S | K1 |

| Safe | Symbol No. | Parts No. | Parts Name | Description | QTY | Local |
|--|------------|---------------|-----------------|-----------------|-----|-------|
| EXPLODED VIEW (DVD MECHANISM: FD2-3A00NXN) <MJMM> | | | | | | |
| | VM1 | CM-FD2-ALM | LOADING M ASSY | | 1 | |
| | VT1 | CM-FD2-ATM2 | TM ASSY | | 1 | |
| | A | LV44959-002A | SPECIAL SCREW | | 16 | |
| | B | LV45727-001A | GEAR SCREW | | 2 | |
| | C | QYSPSPU1425MA | SCREW | M1.4 x 2.5mm | 2 | |
| | D | VKZ4539-054 | MINI SCREW | | 3 | |
| | F | LV44586-001A | SPECIAL SCREW | | 1 | |
| | 4 | LV45709-002A | CLAMP SPRING | | 1 | |
| | 7 | LV23006-002A | GUIDE 2 L | | 1 | |
| | 8 | LV23007-002A | GUIDE 2 R | | 1 | |
| | 9 | LV11842-005A | DISC GUIDE | | 1 | |
| | 14 | LV45704-001A | DAMPER SHAFT | | 4 | |
| | 15 | LV45724-001A | RUBBER ROLLER | | 2 | |
| | 17 | LV37652-002A | SHAFT GUIDE | | 1 | |
| | 18 | LV39938-002A | GEAR RETAINER | | 1 | |
| | 19 | LV45730-001A | ROLLER C WASHER | | 1 | |
| | 20 | CM-FD2-AROS | RO SHAFT ASSY | | 1 | |
| | 21 | LV45731-001A | ROLLER WASHER | | 1 | |
| | 22 | LV45718-002A | ROLLER RETAINER | | 1 | |
| | 23 | LV23003-002A | ROLLER HOLDER | | 1 | |
| | 24 | LV45982-001A | ROLLER SPG R2 | | 1 | |
| | 26 | LV39932-003A | TRIGGER SLIDER | | 1 | |
| | 27 | LV45715-001A | TRIGGER SPRING | | 1 | |
| | 28 | LV23004-005A | SLIDER | | 1 | |
| | 29 | LV39935-003A | SLIDER SPRING | | 1 | |
| | 31 | LV39929-001A | DRIVE GEAR 4 | | 1 | |
| | 32 | LV39928-001A | DRIVE GEAR 3 | | 3 | |
| | 33 | LV39927-001A | DRIVE GEAR 2 | | 1 | |
| | 34 | LV39926-001A | DRIVE GEAR 1 | | 1 | |
| | 35 | LV23005-002A | GEAR HOLDER | | 1 | |
| | 36 | LV39923-003A | UD LEVER | | 1 | |
| | 37 | LV45983-001A | ROLLER SPG L2 | | 1 | |
| | 38 | LV39934-001A | DAMPER | | 4 | |
| | 39 | LV45719-001A | PU FPC SHEET | | 1 | |
| | 802 | ----- | CLAMP ARM ASSY | NO SERVICE PART | 1 | |
| | 805 | ----- | BOTTOM CHASSIS | NO SERVICE PART | 1 | |
| | 806 | ----- | TOP CHASSIS | NO SERVICE PART | 1 | |
| | 810 | ----- | CLAMPER CUSHION | NO SERVICE PART | 1 | |
| | 811 | ----- | CL A CUSHION B | NO SERVICE PART | 1 | |
| | 812 | ----- | CL A CUSHION A | NO SERVICE PART | 1 | |
| | 825 | ----- | ROLLER ARM | NO SERVICE PART | 1 | |
| | 830 | ----- | GEAR BKT | NO SERVICE PART | 1 | |
| | 840 | ----- | SPACER(H) | NO SERVICE PART | 2 | |
| | 841 | ----- | BOTTOM SHEET | NO SERVICE PART | 1 | |
| | 842 | ----- | DVD MECHA PWB | NO SERVICE PART | 1 | |
| | 847 | ----- | LOADING MOTOR | NO SERVICE PART | 1 | |
| | 848 | ----- | SIN TWIST WIRE | NO SERVICE PART | 1 | |
| | 849 | ----- | SIN TWIST WIRE | NO SERVICE PART | 1 | |
| | 850 | ----- | WORM GEAR | NO SERVICE PART | 1 | |
| | 851 | ----- | TM CHASSIS ASSY | NO SERVICE PART | 1 | |
| | 852 | ----- | FEED MOTOR | NO SERVICE PART | 1 | |
| | 853 | ----- | SPINDLE MOTOR | NO SERVICE PART | 1 | |
| | 854 | ----- | SUB SHAFT | NO SERVICE PART | 1 | |
| | 855 | ----- | SUB SHAFT SP | NO SERVICE PART | 1 | |
| | 856 | ----- | DVD OPT.PICKUP | NO SERVICE PART | 1 | |
| | 857 | ----- | PICKUP ARM | NO SERVICE PART | 1 | |
| | 858 | ----- | PICKUP ARM SP | NO SERVICE PART | 1 | |
| | 859 | ----- | SHAFT | NO SERVICE PART | 1 | |
| | 860 | ----- | MAIN SHAFT SP 2 | NO SERVICE PART | 1 | |
| | 861 | ----- | MAIN SHAFT SP | NO SERVICE PART | 1 | |
| | 862 | ----- | TM COVER MAIN | NO SERVICE PART | 1 | |
| | 863 | ----- | TM COVER SUB | NO SERVICE PART | 1 | |
| | 864 | ----- | ROLLER SHAFT | NO SERVICE PART | 1 | |
| | 865 | ----- | ROLLER GEAR | NO SERVICE PART | 1 | |
| | 866 | ----- | SCREW | NO SERVICE PART | 1 | |

| | | | |
|----------|------|----------|------|
| MODEL | MARK | MODEL | MARK |
| DDX8706S | K2 | DDX8906S | K1 |

| Safe | Symbol No. | Parts No. | Parts Name | Description | QTY | Local |
|---|------------|---------------|-----------------|-------------|-----|-------|
| MAIN PWB ASSY(XJ1-236K-05) <XJ1> | | | | | | |
| | IC1 | NJU7108F3 | MOS IC | | 1 | |
| | IC31 | MP9943AGQ | ANALOG IC | | 1 | |
| | IC71 | MM3411A33NE | ANALOG IC | | 1 | |
| | IC72 | XC6223B331P-G | ANALOG IC | | 1 | |
| | IC73 | TC7SET08FUJC | MOS IC | | 1 | |
| | IC74 | BD82032FVJ-G | ANALOG IC | | 1 | |
| | IC75 | BD2242G-G | MOS IC | | 1 | |
| | IC91 | MP9942AGJ | ANALOG IC | | 1 | |
| | IC92 | TC7SH08FUJC | MOS IC | | 1 | |
| | IC93 | INA199B3DCK | ANALOG IC | | 1 | |
| | IC131 | MP9942AGJ | ANALOG IC | | 1 | |
| | IC132 | TC7SH08FUJC | MOS IC | | 1 | |
| | IC133 | INA199B3DCK | ANALOG IC | | 1 | |
| | IC203 | TC7SZ125FUJC | MOS IC | | 1 | |
| | IC204 | TC7SZ125FUJC | MOS IC | | 1 | |
| | IC231 | XC6209B502P-G | MOS IC | | 1 | |
| | IC252 | NJW1341VC3 | MOS IC | | 1 | |
| | IC261 | NJM4580CV | ANALOG IC | | 1 | |
| | IC262 | BA4580RFVM | BIPOLAR IC | | 1 | |
| | IC301 | W3F-0465-00 | MCU IC | | 1 | |
| | IC302 | XC6120N282N-G | MOS IC | | 1 | |
| | IC303 | NJU7108F3 | MOS IC | | 1 | |
| | IC304 | TC7SH08FUJC | MOS IC | | 1 | |
| | IC401 | TC7SZ125FUJC | MOS IC | | 1 | |
| | IC402 | TC7SH08FUJC | MOS IC | | 1 | |
| | IC403 | TC7SET08FUJC | MOS IC | | 1 | |
| | IC501 | AK7738VQ | MOS IC | | 1 | |
| | IC502 | AK4388AET | ANALOG IC | | 1 | |
| | IC503 | AK4388AET | ANALOG IC | | 1 | |
| | IC504 | NJM4580CV | ANALOG IC | | 1 | |
| | IC506 | AK4387ET | ANALOG IC | | 1 | |
| | IC507 | XC6209B502P-G | MOS IC | | 1 | |
| | IC508 | MM3411A33NE | ANALOG IC | | 1 | |
| | IC601 | BA4580RFVM | BIPOLAR IC | | 1 | |
| | IC602 | NJM2871BF05 | ANALOG IC | | 1 | |
| | IC801 | UBX-M8030-KT | MOS IC | | 1 | |
| | IC802 | NJM2903CRB1 | MOS IC | | 1 | |
| | IC803 | BU33SD5WG | MOS IC | | 1 | |
| | IC804 | MM3411A18NE | ANALOG IC | | 1 | |
| | Q1 | MCQ4435 | FET | | 1 | |
| | Q3 | LTC014YEBFS8 | DIGI TRANSISTOR | | 1 | |
| | Q4 | LTC044EEBFS8 | DIGI TRANSISTOR | | 1 | |
| | Q91 | LTC014YEBFS8 | DIGI TRANSISTOR | | 1 | |
| | Q112 | LSCR523EBFS8 | TRANSISTOR | | 1 | |
| | Q113 | LSAR523EBFS8 | TRANSISTOR | | 1 | |
| | Q114 | LTC014YEBFS8 | DIGI TRANSISTOR | | 1 | |
| | Q115 | LTC014YEBFS8 | DIGI TRANSISTOR | | 1 | |
| | Q116 | LTC044EEBFS8 | DIGI TRANSISTOR | | 1 | |
| | Q117 | LTA014YEBFS8 | DIGI TRANSISTOR | | 1 | |
| | Q131 | LTC014YEBFS8 | DIGI TRANSISTOR | | 1 | |
| | Q152 | LSCR523EBFS8 | TRANSISTOR | | 1 | |
| | Q153 | LSAR523EBFS8 | TRANSISTOR | | 1 | |
| | Q154 | LTC014YEBFS8 | DIGI TRANSISTOR | | 1 | |
| | Q155 | LTC014YEBFS8 | DIGI TRANSISTOR | | 1 | |
| | Q156 | LTC044EEBFS8 | DIGI TRANSISTOR | | 1 | |
| | Q157 | LTA014YEBFS8 | DIGI TRANSISTOR | | 1 | |
| | Q281 | LSCR523UBFS8 | TRANSISTOR | | 1 | |
| | Q301 | 2SB1689 | TRANSISTOR | | 1 | |
| | Q302 | LTC014YEBFS8 | DIGI TRANSISTOR | | 1 | |
| | Q303 | LSAR523EBFS8 | TRANSISTOR | | 1 | |
| | Q304 | LTA014YEBFS8 | DIGI TRANSISTOR | | 1 | |
| | Q305 | LTC044EEBFS8 | DIGI TRANSISTOR | | 1 | |
| | Q306 | LTC014YEBFS8 | DIGI TRANSISTOR | | 1 | |
| | Q307 | LTC044EEBFS8 | DIGI TRANSISTOR | | 1 | |
| | Q308 | LTC014YEBFS8 | DIGI TRANSISTOR | | 1 | |
| | Q309 | LTC014YEBFS8 | DIGI TRANSISTOR | | 1 | |
| | Q310 | LSAR523EBFS8 | TRANSISTOR | | 1 | |
| | Q311 | 2SK3019 | FET | | 1 | |
| | Q312 | LTC014YEBFS8 | DIGI TRANSISTOR | | 1 | |
| | Q313 | 2SK3019 | FET | | 1 | |
| | Q314 | LTC014YEBFS8 | DIGI TRANSISTOR | | 1 | |
| | Q315 | LTA014YEBFS8 | DIGI TRANSISTOR | | 1 | |
| | Q501 | LTC014YEBFS8 | DIGI TRANSISTOR | | 1 | |
| | Q502 | LTC014YEBFS8 | DIGI TRANSISTOR | | 1 | |
| | Q801 | RTR020P02 | FET | | 1 | |
| | D1 | RB080LAM-30 | SCHOTTKY DIODE | | 1 | |
| | D2 | 1SS355VM | DIODE | | 1 | |
| | D3 | UDZV16B | ZENER DIODE | | 1 | |
| | D5 | UDZV8.2B | ZENER DIODE | | 1 | |
| | D6 | UDZV10B | ZENER DIODE | | 1 | |
| | D7 | UDZV16B | ZENER DIODE | | 1 | |
| | D72 | 1SS355VM | DIODE | | 1 | |
| | D91 | UDZV6.2B | ZENER DIODE | | 1 | |
| | D131 | UDZV6.2B | ZENER DIODE | | 1 | |
| | D202 | UDZV5.6B | ZENER DIODE | | 1 | |
| | D203 | UDZV5.6B | ZENER DIODE | | 1 | |
| | D204 | 1SS355VM | DIODE | | 1 | |
| | D301 | 1SS355VM | DIODE | | 1 | |
| | D401 | UDZV5.6B | ZENER DIODE | | 1 | |
| | D402 | UDZV5.6B | ZENER DIODE | | 1 | |
| | D403 | 1SS355VM | DIODE | | 1 | |

| | | | |
|----------|------|----------|------|
| MODEL | MARK | MODEL | MARK |
| DDX8706S | K2 | DDX8906S | K1 |

| Safe | Symbol No. | Parts No. | Parts Name | Description | QTY | Local |
|------|------------|---------------|-------------|--------------|-----|-------|
| | D502 | DAN217UM | DIODE | | 1 | |
| | D601 | UDZV11B | ZENER DIODE | | 1 | |
| | D602 | UDZV11B | ZENER DIODE | | 1 | |
| | D603 | 1SS355VM | DIODE | | 1 | |
| | D801 | 1SS355VM | DIODE | | 1 | |
| | C1 | CK73HXR1H104K | C CAPACITOR | 0.1uF 50V K | 1 | |
| | C2 | CK73HXR1H104K | C CAPACITOR | 0.1uF 50V K | 1 | |
| | C4 | CK73HXR1H104K | C CAPACITOR | 0.1uF 50V K | 1 | |
| | C5 | CD040CP1C222M | E CAPACITOR | 2200uF 16V M | 1 | |
| | C6 | CK73JXR1H103K | C CAPACITOR | 0.01uF 50V K | 1 | |
| | C31 | CK73HXR1H104K | C CAPACITOR | 0.1uF 50V K | 1 | |
| | C32 | CK73JXR1H103K | C CAPACITOR | 0.01uF 50V K | 1 | |
| | C33 | CK73FXR1E106K | C CAPACITOR | 10uF 25V K | 1 | |
| | C34 | CK73FXR1E106K | C CAPACITOR | 10uF 25V K | 1 | |
| | C35 | CK73HXR1H104K | C CAPACITOR | 0.1uF 50V K | 1 | |
| | C36 | CK73JXR1H103K | C CAPACITOR | 0.01uF 50V K | 1 | |
| | C37 | CK73JXR1E104K | C CAPACITOR | 0.1uF 25V K | 1 | |
| | C38 | CK73JXR1E104K | C CAPACITOR | 0.1uF 25V K | 1 | |
| | C40 | CC73JCH1H560J | C CAPACITOR | 56pF 50V J | 1 | |
| | C41 | CK73EXR1A476K | C CAPACITOR | 47uF 10V K | 1 | |
| | C42 | CK73GXR1A106K | C CAPACITOR | 10uF 10V K | 1 | |
| | C43 | CK73JXR1A104K | C CAPACITOR | 0.1uF 10V K | 1 | |
| | C44 | CK73JXR1H103K | C CAPACITOR | 0.01uF 50V K | 1 | |
| | C45 | CC73HCH1H070D | C CAPACITOR | 7pF 50V D | 1 | |
| | C46 | CC73HCH1H070D | C CAPACITOR | 7pF 50V D | 1 | |
| | C47 | CC73HCH1H070D | C CAPACITOR | 7pF 50V D | 1 | |
| | C71 | CK73HXR1C105K | C CAPACITOR | 1uF 16V K | 1 | |
| | C72 | CK73HXR1C105K | C CAPACITOR | 1uF 16V K | 1 | |
| | C73 | CK73HXR1C105K | C CAPACITOR | 1uF 16V K | 1 | |
| | C74 | CK73HXR1C105K | C CAPACITOR | 1uF 16V K | 1 | |
| | C75 | CK73JXR1H103K | C CAPACITOR | 0.01uF 50V K | 1 | |
| | C76 | CK73FXR1C106K | C CAPACITOR | 10uF 16V K | 1 | |
| | C77 | CK73HXR1C105K | C CAPACITOR | 1uF 16V K | 1 | |
| | C78 | CK73JXR1A104K | C CAPACITOR | 0.1uF 10V K | 1 | |
| | C79 | CK73HXR1C105K | C CAPACITOR | 1uF 16V K | 1 | |
| | C80 | CK73JXR1A104K | C CAPACITOR | 0.1uF 10V K | 1 | |
| | C91 | CK73HXR1H104K | C CAPACITOR | 0.1uF 50V K | 1 | |
| | C92 | CK73JXR1H103K | C CAPACITOR | 0.01uF 50V K | 1 | |
| | C93 | CK73FXR1E106K | C CAPACITOR | 10uF 25V K | 1 | |
| | C94 | CK73FXR1E106K | C CAPACITOR | 10uF 25V K | 1 | |
| | C95 | CK73HXR1H104K | C CAPACITOR | 0.1uF 50V K | 1 | |
| | C96 | CK73JXR1H103K | C CAPACITOR | 0.01uF 50V K | 1 | |
| | C97 | CK73JXR1E104K | C CAPACITOR | 0.1uF 25V K | 1 | |
| | C98 | CK73JXR1E104K | C CAPACITOR | 0.1uF 25V K | 1 | |
| | C100 | CC73JCH1H560J | C CAPACITOR | 56pF 50V J | 1 | |
| | C101 | CK730DT1C476K | C CAPACITOR | 47uF 16V K | 1 | |
| | C103 | CK73JXR1E104K | C CAPACITOR | 0.1uF 25V K | 1 | |
| | C104 | CK73JXR1H103K | C CAPACITOR | 0.01uF 50V K | 1 | |
| | C105 | CK73JXR1H103K | C CAPACITOR | 0.01uF 50V K | 1 | |
| | C110 | CK73HXR1C105K | C CAPACITOR | 1uF 16V K | 1 | |
| | C111 | CK73JXR1A104K | C CAPACITOR | 0.1uF 10V K | 1 | |
| | C112 | CK73HXR1C105K | C CAPACITOR | 1uF 16V K | 1 | |
| | C114 | CK73JXR1H102K | C CAPACITOR | 1000pF 50V K | 1 | |
| | C121 | CK730DT1C476K | C CAPACITOR | 47uF 16V K | 1 | |
| | C122 | CK730DT1C476K | C CAPACITOR | 47uF 16V K | 1 | |
| | C123 | CK730DT1C476K | C CAPACITOR | 47uF 16V K | 1 | |
| | C124 | CK73JXR1H103K | C CAPACITOR | 0.01uF 50V K | 1 | |
| | C125 | CK73JXR1H103K | C CAPACITOR | 0.01uF 50V K | 1 | |
| | C126 | CK730DT1C476K | C CAPACITOR | 47uF 16V K | 1 | |
| | C127 | CK730DT1C476K | C CAPACITOR | 47uF 16V K | 1 | |
| | C128 | CK730DT1C476K | C CAPACITOR | 47uF 16V K | 1 | |
| | C131 | CK73HXR1H104K | C CAPACITOR | 0.1uF 50V K | 1 | |
| | C132 | CK73JXR1H103K | C CAPACITOR | 0.01uF 50V K | 1 | |
| | C133 | CK73FXR1E106K | C CAPACITOR | 10uF 25V K | 1 | |
| | C134 | CK73FXR1E106K | C CAPACITOR | 10uF 25V K | 1 | |
| | C135 | CK73HXR1H104K | C CAPACITOR | 0.1uF 50V K | 1 | |
| | C136 | CK73JXR1H103K | C CAPACITOR | 0.01uF 50V K | 1 | |
| | C137 | CK73JXR1E104K | C CAPACITOR | 0.1uF 25V K | 1 | |
| | C138 | CK73JXR1E104K | C CAPACITOR | 0.1uF 25V K | 1 | |
| | C140 | CC73JCH1H560J | C CAPACITOR | 56pF 50V J | 1 | |
| | C141 | CK730DT1C476K | C CAPACITOR | 47uF 16V K | 1 | |
| | C143 | CK73JXR1E104K | C CAPACITOR | 0.1uF 25V K | 1 | |
| | C144 | CK73JXR1H103K | C CAPACITOR | 0.01uF 50V K | 1 | |
| | C145 | CK73JXR1H103K | C CAPACITOR | 0.01uF 50V K | 1 | |
| | C150 | CK73HXR1C105K | C CAPACITOR | 1uF 16V K | 1 | |
| | C151 | CK73JXR1A104K | C CAPACITOR | 0.1uF 10V K | 1 | |
| | C152 | CK73HXR1C105K | C CAPACITOR | 1uF 16V K | 1 | |
| | C154 | CK73JXR1H102K | C CAPACITOR | 1000pF 50V K | 1 | |
| | C201 | CK73HXR1H104K | C CAPACITOR | 0.1uF 50V K | 1 | |
| | C207 | CK73JXR1H103K | C CAPACITOR | 0.01uF 50V K | 1 | |
| | C208 | CK73JXR1H103K | C CAPACITOR | 0.01uF 50V K | 1 | |
| | C231 | CK73FXR1C106K | C CAPACITOR | 10uF 16V K | 1 | |
| | C232 | CK73HXR1C105K | C CAPACITOR | 1uF 16V K | 1 | |
| | C234 | CK73HXR1C105K | C CAPACITOR | 1uF 16V K | 1 | |
| | C235 | CK73HXR1C105K | C CAPACITOR | 1uF 16V K | 1 | |
| | C237 | CK73HXR1C105K | C CAPACITOR | 1uF 16V K | 1 | |
| | C238 | CK73HXR1C105K | C CAPACITOR | 1uF 16V K | 1 | |
| | C241 | CK73HXR1C105K | C CAPACITOR | 1uF 16V K | 1 | |
| | C243 | CK73HXR1C105K | C CAPACITOR | 1uF 16V K | 1 | |
| | C246 | CK73HXR1C105K | C CAPACITOR | 1uF 16V K | 1 | |
| | C248 | CK73HXR1C105K | C CAPACITOR | 1uF 16V K | 1 | |
| | C250 | CK73HXR1C105K | C CAPACITOR | 1uF 16V K | 1 | |

| | | | |
|----------|------|----------|------|
| MODEL | MARK | MODEL | MARK |
| DDX8706S | K2 | DDX8906S | K1 |

| Safe | Symbol No. | Parts No. | Parts Name | Description | QTY | Local |
|------|------------|---------------|-------------|---------------|-----|-------|
| C251 | | CK73HXR1C105K | C CAPACITOR | 1uF 16V K | 1 | |
| C252 | | CK73JXR1A104K | C CAPACITOR | 0.1uF 10V K | 1 | |
| C253 | | CE32BJ1C470M | E CAPACITOR | 47uF 16V M | 1 | |
| C254 | | CK73JXR1A104K | C CAPACITOR | 0.1uF 10V K | 1 | |
| C255 | | CK73HXR1C105K | C CAPACITOR | 1uF 16V K | 1 | |
| C261 | | CC73HCH1H221J | C CAPACITOR | 220pF 50V J | 1 | |
| C262 | | CC73HCH1H221J | C CAPACITOR | 220pF 50V J | 1 | |
| C263 | | CK73HXR1H102K | C CAPACITOR | 1000pF 50V K | 1 | |
| C264 | | CK73HXR1H102K | C CAPACITOR | 1000pF 50V K | 1 | |
| C265 | | CK73GXR1E225K | C CAPACITOR | 2.2uF 25V K | 1 | |
| C266 | | CK73GXR1E225K | C CAPACITOR | 2.2uF 25V K | 1 | |
| C267 | | CK73GXR1E225K | C CAPACITOR | 2.2uF 25V K | 1 | |
| C268 | | CK73GXR1E225K | C CAPACITOR | 2.2uF 25V K | 1 | |
| C269 | | CC73JCH1E331J | C CAPACITOR | 330pF 25V J | 1 | |
| C270 | | CC73JCH1E331J | C CAPACITOR | 330pF 25V J | 1 | |
| C271 | | CC73JCH1H181J | C CAPACITOR | 180pF 50V J | 1 | |
| C272 | | CC73JCH1H181J | C CAPACITOR | 180pF 50V J | 1 | |
| C273 | | CC73JCH1H181J | C CAPACITOR | 180pF 50V J | 1 | |
| C274 | | CC73JCH1H181J | C CAPACITOR | 180pF 50V J | 1 | |
| C275 | | CK73FXR1C106K | C CAPACITOR | 10uF 16V K | 1 | |
| C276 | | CK73HXR1C105K | C CAPACITOR | 1uF 16V K | 1 | |
| C277 | | CK73HXR1C105K | C CAPACITOR | 1uF 16V K | 1 | |
| C282 | | CK73FXR1C106K | C CAPACITOR | 10uF 16V K | 1 | |
| C283 | | CK73FXR0J226M | C CAPACITOR | 22uF 6.3V M | 1 | |
| C284 | | CK73HXR0J224K | C CAPACITOR | 0.22uF 6.3V K | 1 | |
| C301 | | CE32CC1C221M | E CAPACITOR | 220uF 16V M | 1 | |
| C302 | | CE32CC1C221M | E CAPACITOR | 220uF 16V M | 1 | |
| C303 | | CK73GXR0J106K | C CAPACITOR | 10uF 6.3V K | 1 | |
| C304 | | CK73JXR1H222K | C CAPACITOR | 2200pF 50V K | 1 | |
| C305 | | CK73JXR1A104K | C CAPACITOR | 0.1uF 10V K | 1 | |
| C306 | | CK73JXR1A104K | C CAPACITOR | 0.1uF 10V K | 1 | |
| C307 | | CK73JXR1A104K | C CAPACITOR | 0.1uF 10V K | 1 | |
| C309 | | CC73HCH1H100D | C CAPACITOR | 10pF 50V D | 1 | |
| C310 | | CC73HCH1H100D | C CAPACITOR | 10pF 50V D | 1 | |
| C312 | | CK73JXR1A104K | C CAPACITOR | 0.1uF 10V K | 1 | |
| C313 | | CK73JXR1H103K | C CAPACITOR | 0.01uF 50V K | 1 | |
| C314 | | CK73JXR1H103K | C CAPACITOR | 0.01uF 50V K | 1 | |
| C315 | | CK73JXR1H103K | C CAPACITOR | 0.01uF 50V K | 1 | |
| C316 | | CK73JXR1H103K | C CAPACITOR | 0.01uF 50V K | 1 | |
| C317 | | CK73JXR1A104K | C CAPACITOR | 0.1uF 10V K | 1 | |
| C318 | | CK73JXR1A104K | C CAPACITOR | 0.1uF 10V K | 1 | |
| C319 | | CK73JXR1A104K | C CAPACITOR | 0.1uF 10V K | 1 | |
| C321 | | CK73HXR1C105K | C CAPACITOR | 1uF 16V K | 1 | |
| C322 | | CK73JXR1A104K | C CAPACITOR | 0.1uF 10V K | 1 | |
| C323 | | CK73JXR1A104K | C CAPACITOR | 0.1uF 10V K | 1 | |
| C324 | | CK73JXR1A104K | C CAPACITOR | 0.1uF 10V K | 1 | |
| C325 | | CK73EXR0J476M | C CAPACITOR | 47uF 6.3V M | 1 | |
| C326 | | CK73EXR0J476M | C CAPACITOR | 47uF 6.3V M | 1 | |
| C327 | | CK73EXR0J476M | C CAPACITOR | 47uF 6.3V M | 1 | |
| C328 | | CK73EXR0J476M | C CAPACITOR | 47uF 6.3V M | 1 | |
| C329 | | CK73EXR0J476M | C CAPACITOR | 47uF 6.3V M | 1 | |
| C330 | | CK73EXR0J476M | C CAPACITOR | 47uF 6.3V M | 1 | |
| C331 | | CK73JXR1H103K | C CAPACITOR | 0.01uF 50V K | 1 | |
| C332 | | CK73JXR1A104K | C CAPACITOR | 0.1uF 10V K | 1 | |
| C333 | | CK73JXR1H103K | C CAPACITOR | 0.01uF 50V K | 1 | |
| C401 | | CK73JXR1H103K | C CAPACITOR | 0.01uF 50V K | 1 | |
| C402 | | CK73JXR1H103K | C CAPACITOR | 0.01uF 50V K | 1 | |
| C403 | | CK73JXR1H103K | C CAPACITOR | 0.01uF 50V K | 1 | |
| C413 | | CK73HXR1H102K | C CAPACITOR | 1000pF 50V K | 1 | |
| C431 | | CE32CC1C221M | E CAPACITOR | 220uF 16V M | 1 | |
| C434 | | CK73HXR1H104K | C CAPACITOR | 0.1uF 50V K | 1 | |
| C435 | | CK73JXR1H103K | C CAPACITOR | 0.01uF 50V K | 1 | |
| C436 | | CK73HXR1E223K | C CAPACITOR | 0.022uF 25V K | 1 | |
| C437 | | CK73HXR1E223K | C CAPACITOR | 0.022uF 25V K | 1 | |
| C438 | | CK73FXR0J226M | C CAPACITOR | 22uF 6.3V M | 1 | |
| C501 | | CK73HXR1C105K | C CAPACITOR | 1uF 16V K | 1 | |
| C502 | | CK73HXR1C105K | C CAPACITOR | 1uF 16V K | 1 | |
| C503 | | CC73JCH1H151J | C CAPACITOR | 150pF 50V J | 1 | |
| C504 | | CC73JCH1H151J | C CAPACITOR | 150pF 50V J | 1 | |
| C505 | | CK73HXR1C105K | C CAPACITOR | 1uF 16V K | 1 | |
| C506 | | CK73HXR1C105K | C CAPACITOR | 1uF 16V K | 1 | |
| C507 | | CK73HXR1C105K | C CAPACITOR | 1uF 16V K | 1 | |
| C511 | | CK73FXR1C106K | C CAPACITOR | 10uF 16V K | 1 | |
| C512 | | CK73HXR1H222K | C CAPACITOR | 2200pF 50V K | 1 | |
| C513 | | CK73HXR1H222K | C CAPACITOR | 2200pF 50V K | 1 | |
| C514 | | CK73HXR1H222K | C CAPACITOR | 2200pF 50V K | 1 | |
| C515 | | CK73HXR1H222K | C CAPACITOR | 2200pF 50V K | 1 | |
| C516 | | CK73GXR1A106K | C CAPACITOR | 10uF 10V K | 1 | |
| C517 | | CK73HXR1C105K | C CAPACITOR | 1uF 16V K | 1 | |
| C518 | | CK73HXR1C105K | C CAPACITOR | 1uF 16V K | 1 | |
| C519 | | CK73JXR1A104K | C CAPACITOR | 0.1uF 10V K | 1 | |
| C520 | | CK73JXR1A104K | C CAPACITOR | 0.1uF 10V K | 1 | |
| C521 | | CK73GXR0J106K | C CAPACITOR | 10uF 6.3V K | 1 | |
| C522 | | CK73GXR1A106K | C CAPACITOR | 10uF 10V K | 1 | |
| C523 | | CK73HXR1H222K | C CAPACITOR | 2200pF 50V K | 1 | |
| C524 | | CK73HXR1H222K | C CAPACITOR | 2200pF 50V K | 1 | |
| C525 | | CK73HXR1H222K | C CAPACITOR | 2200pF 50V K | 1 | |
| C526 | | CK73HXR1H222K | C CAPACITOR | 2200pF 50V K | 1 | |
| C527 | | CK73JXR1A104K | C CAPACITOR | 0.1uF 10V K | 1 | |
| C528 | | CK73GXR1A106K | C CAPACITOR | 10uF 10V K | 1 | |
| C529 | | CK73HXR1C105K | C CAPACITOR | 1uF 16V K | 1 | |
| C530 | | CK73JXR1A104K | C CAPACITOR | 0.1uF 10V K | 1 | |
| C531 | | CK73GXR1A106K | C CAPACITOR | 10uF 10V K | 1 | |

| | | | |
|----------|------|----------|------|
| MODEL | MARK | MODEL | MARK |
| DDX8706S | K2 | DDX8906S | K1 |

| Safe | Symbol No. | Parts No. | Parts Name | Description | QTY | Local |
|------|------------|---------------|-------------|---------------|-----|-------|
| | C532 | CK73JXR1A104K | C CAPACITOR | 0.1uF 10V K | 1 | |
| | C533 | CK73GXR1A106K | C CAPACITOR | 10uF 10V K | 1 | |
| | C534 | CK73GXR1C225K | C CAPACITOR | 2.2uF 16V K | 1 | |
| | C535 | CK73JXR1A104K | C CAPACITOR | 0.1uF 10V K | 1 | |
| | C536 | CK73GXR1A106K | C CAPACITOR | 10uF 10V K | 1 | |
| | C537 | CK73JXR1A104K | C CAPACITOR | 0.1uF 10V K | 1 | |
| | C538 | CK73GXR1A106K | C CAPACITOR | 10uF 10V K | 1 | |
| | C539 | CK73JXR1A104K | C CAPACITOR | 0.1uF 10V K | 1 | |
| | C540 | CK73GXR1A106K | C CAPACITOR | 10uF 10V K | 1 | |
| | C541 | CK73GXR1E225K | C CAPACITOR | 2.2uF 25V K | 1 | |
| | C542 | CK73JXR1A104K | C CAPACITOR | 0.1uF 10V K | 1 | |
| | C543 | CK73GXR1A106K | C CAPACITOR | 10uF 10V K | 1 | |
| | C544 | CK73HXR1A104K | C CAPACITOR | 0.1uF 10V K | 1 | |
| | C545 | CK73HXR1A104K | C CAPACITOR | 0.1uF 10V K | 1 | |
| | C549 | CC73HCH1H120J | C CAPACITOR | 12pF 50V J | 1 | |
| | C550 | CC73HCH1H120J | C CAPACITOR | 12pF 50V J | 1 | |
| | C551 | CK73GXR0J106K | C CAPACITOR | 10uF 6.3V K | 1 | |
| | C552 | CK73GXR1A106K | C CAPACITOR | 10uF 10V K | 1 | |
| | C553 | CK73JXR1A104K | C CAPACITOR | 0.1uF 10V K | 1 | |
| | C554 | CK73GXR0J106K | C CAPACITOR | 10uF 6.3V K | 1 | |
| | C558 | CK73HXR1H332K | C CAPACITOR | 3300pF 50V K | 1 | |
| | C559 | CK73HXR1H332K | C CAPACITOR | 3300pF 50V K | 1 | |
| | C560 | CK73HXR1H332K | C CAPACITOR | 3300pF 50V K | 1 | |
| | C561 | CK73HXR1H222K | C CAPACITOR | 2200pF 50V K | 1 | |
| | C562 | CK73HXR1H222K | C CAPACITOR | 2200pF 50V K | 1 | |
| | C563 | CK73HXR1H222K | C CAPACITOR | 2200pF 50V K | 1 | |
| | C564 | CK73HXR1H222K | C CAPACITOR | 2200pF 50V K | 1 | |
| | C565 | CK73HXR1H222K | C CAPACITOR | 2200pF 50V K | 1 | |
| | C566 | CK73HXR1H222K | C CAPACITOR | 2200pF 50V K | 1 | |
| | C567 | CK73HXR1H222K | C CAPACITOR | 2200pF 50V K | 1 | |
| | C568 | CK73HXR1H222K | C CAPACITOR | 2200pF 50V K | 1 | |
| | C571 | CK73GXR0J106K | C CAPACITOR | 10uF 6.3V K | 1 | |
| | C572 | CK73HXR1C105K | C CAPACITOR | 1uF 16V K | 1 | |
| | C602 | CK73HXR1C105K | C CAPACITOR | 1uF 16V K | 1 | |
| | C603 | CK73HXR1H102K | C CAPACITOR | 1000pF 50V K | 1 | |
| | C605 | CK73HXR1C105K | C CAPACITOR | 1uF 16V K | 1 | |
| | C606 | CK73HXR1C105K | C CAPACITOR | 1uF 16V K | 1 | |
| | C607 | CC73HCH1H220J | C CAPACITOR | 22pF 50V J | 1 | |
| | C609 | CC73HCH1H220J | C CAPACITOR | 22pF 50V J | 1 | |
| | C611 | CK73JXR1E104K | C CAPACITOR | 0.1uF 25V K | 1 | |
| | C613 | CK73EXR1A476K | C CAPACITOR | 47uF 10V K | 1 | |
| | C615 | CK73HXR1A683K | C CAPACITOR | 0.068uF 10V K | 1 | |
| | C616 | CK73HXR1A683K | C CAPACITOR | 0.068uF 10V K | 1 | |
| | C617 | CK730DT1C476K | C CAPACITOR | 47uF 16V K | 1 | |
| | C621 | CK73HXR1C105K | C CAPACITOR | 1uF 16V K | 1 | |
| | C622 | CK73HXR1C105K | C CAPACITOR | 1uF 16V K | 1 | |
| | C623 | CK73JXR1H103K | C CAPACITOR | 0.01uF 50V K | 1 | |
| | C624 | CK73GXR1A106K | C CAPACITOR | 10uF 10V K | 1 | |
| | C625 | CK73GXR1A106K | C CAPACITOR | 10uF 10V K | 1 | |
| | C801 | CK73JXR1H103K | C CAPACITOR | 0.01uF 50V K | 1 | |
| | C802 | CC73HCH1H470J | C CAPACITOR | 47pF 50V J | 1 | |
| | C803 | CC730BP1H1R8B | C CAPACITOR | 1.8pF 50V B | 1 | |
| | C804 | CK73HXR1C105K | C CAPACITOR | 1uF 16V K | 1 | |
| | C805 | CK73HXR1C105K | C CAPACITOR | 1uF 16V K | 1 | |
| | C806 | CK73HXR1C105K | C CAPACITOR | 1uF 16V K | 1 | |
| | C807 | CK73GXR1E225K | C CAPACITOR | 2.2uF 25V K | 1 | |
| | C808 | CK73HXR1C105K | C CAPACITOR | 1uF 16V K | 1 | |
| | C809 | CK73HXR1C105K | C CAPACITOR | 1uF 16V K | 1 | |
| | C810 | CC73HCH1H060D | C CAPACITOR | 6pF 50V D | 1 | |
| | C811 | CC73HCH1H070D | C CAPACITOR | 7pF 50V D | 1 | |
| | C812 | CC73JCH1H120J | C CAPACITOR | 12pF 50V J | 1 | |
| | C813 | CC73JCH1H120J | C CAPACITOR | 12pF 50V J | 1 | |
| | C814 | CK73HXR1C105K | C CAPACITOR | 1uF 16V K | 1 | |
| | C815 | CK73HXR1C105K | C CAPACITOR | 1uF 16V K | 1 | |
| | C816 | CK73HXR1C105K | C CAPACITOR | 1uF 16V K | 1 | |
| | C817 | CK73HXR1C105K | C CAPACITOR | 1uF 16V K | 1 | |
| | C818 | CK73HXR1C105K | C CAPACITOR | 1uF 16V K | 1 | |
| | C819 | CK73HXR1C105K | C CAPACITOR | 1uF 16V K | 1 | |
| | C820 | CK73HXR1C105K | C CAPACITOR | 1uF 16V K | 1 | |
| | R1 | RK73GB2A103J | MG RESISTOR | 10kΩ 1/10W J | 1 | |
| | R2 | RK73GB2A202J | MG RESISTOR | 2kΩ 1/10W J | 1 | |
| | R3 | RK73HB1J334J | MG RESISTOR | 330kΩ 1/16W J | 1 | |
| | R7 | RK73GB2A000J | MG RESISTOR | 0Ω 1/10W J | 1 | |
| | R8 | RK73HH1J223D | MG RESISTOR | 22kΩ 1/16W D | 1 | |
| | R9 | RK73HH1J184D | MG RESISTOR | 180kΩ 1/16W D | 1 | |
| | R10 | RK73HH1J393D | MG RESISTOR | 39kΩ 1/16W D | 1 | |
| | R11 | RK73HH1J392D | MG RESISTOR | 3.9kΩ 1/16W D | 1 | |
| | R12 | RK73HH1J104D | MG RESISTOR | 100kΩ 1/16W D | 1 | |
| | R13 | RK73HH1J563D | MG RESISTOR | 56kΩ 1/16W D | 1 | |
| | R14 | RK73HH1J753D | MG RESISTOR | 75kΩ 1/16W D | 1 | |
| | R15 | RK73HH1J561D | MG RESISTOR | 560Ω 1/16W D | 1 | |
| | R31 | RK73GB2A200J | MG RESISTOR | 20Ω 1/10W J | 1 | |
| | R33 | RK73HB1J333J | MG RESISTOR | 33kΩ 1/16W J | 1 | |
| | R34 | RK73HB1J000J | MG RESISTOR | 0Ω 1/16W J | 1 | |
| | R35 | RK73HB1J000J | MG RESISTOR | 0Ω 1/16W J | 1 | |
| | R36 | RK73HH1J393D | MG RESISTOR | 39kΩ 1/16W D | 1 | |
| | R37 | RK73HH1J222D | MG RESISTOR | 2.2kΩ 1/16W D | 1 | |
| | R38 | RK73HH1J752D | MG RESISTOR | 7.5kΩ 1/16W D | 1 | |
| | R39 | RK73HH1J221D | MG RESISTOR | 220Ω 1/16W D | 1 | |
| | R40 | RK73HB1J101J | MG RESISTOR | 100Ω 1/16W J | 1 | |
| | R41 | RK73HH1J100D | MG RESISTOR | 10Ω 1/16W D | 1 | |
| | R43 | RK73GB2A000J | MG RESISTOR | 0Ω 1/10W J | 1 | |

| | | | |
|----------|------|----------|------|
| MODEL | MARK | MODEL | MARK |
| DDX8706S | K2 | DDX8906S | K1 |

| Safe | Symbol No. | Parts No. | Parts Name | Description | QTY | Local |
|------|------------|--------------|-------------|---------------|-----|-------|
| R44 | | RK73GB2A000J | MG RESISTOR | 0Ω 1/10W J | 1 | |
| R45 | | RK73GB2A000J | MG RESISTOR | 0Ω 1/10W J | 1 | |
| R46 | | RK73GB2A000J | MG RESISTOR | 0Ω 1/10W J | 1 | |
| R47 | | RK73GB2A000J | MG RESISTOR | 0Ω 1/10W J | 1 | |
| R48 | | RK73GB2A000J | MG RESISTOR | 0Ω 1/10W J | 1 | |
| R49 | | RK73GB2A000J | MG RESISTOR | 0Ω 1/10W J | 1 | |
| R71 | | RK73HB1J000J | MG RESISTOR | 0Ω 1/16W J | 1 | |
| R72 | | RK73HB1J000J | MG RESISTOR | 0Ω 1/16W J | 1 | |
| R75 | | RK73HB1J101J | MG RESISTOR | 100Ω 1/16W J | 1 | |
| R77 | | RK73HB1J272J | MG RESISTOR | 2.7kΩ 1/16W J | 1 | |
| R78 | | RK73HB1J223J | MG RESISTOR | 22kΩ 1/16W J | 1 | |
| R79 | | RK73HB1J000J | MG RESISTOR | 0Ω 1/16W J | 1 | |
| R80 | | RK73GB2A331J | MG RESISTOR | 330Ω 1/10W J | 1 | |
| R91 | | RK73GB2A200J | MG RESISTOR | 20Ω 1/10W J | 1 | |
| R92 | | RK73HB1J473J | MG RESISTOR | 47kΩ 1/16W J | 1 | |
| R94 | | RK73HB1J333J | MG RESISTOR | 33kΩ 1/16W J | 1 | |
| R95 | | RK73HB1J000J | MG RESISTOR | 0Ω 1/16W J | 1 | |
| R96 | | RK73HH1J100D | MG RESISTOR | 10Ω 1/16W D | 1 | |
| R97 | | RK73HH1J393D | MG RESISTOR | 39kΩ 1/16W D | 1 | |
| R98 | | RK73HH1J222D | MG RESISTOR | 2.2kΩ 1/16W D | 1 | |
| R99 | | RK73HH1J752D | MG RESISTOR | 7.5kΩ 1/16W D | 1 | |
| R100 | | RK73HB1J000J | MG RESISTOR | 0Ω 1/16W J | 1 | |
| R101 | | RK73EB2E151J | MG RESISTOR | 150Ω 1/4W J | 1 | |
| R102 | | RK73HB1J223J | MG RESISTOR | 22kΩ 1/16W J | 1 | |
| R104 | | RK73HB1J101J | MG RESISTOR | 100Ω 1/16W J | 1 | |
| R105 | | RK73HB1J272J | MG RESISTOR | 2.7kΩ 1/16W J | 1 | |
| R106 | | RK73HB1J102J | MG RESISTOR | 1kΩ 1/16W J | 1 | |
| R107 | | RK73HB1J000J | MG RESISTOR | 0Ω 1/16W J | 1 | |
| R110 | | RZ73F0CH30LJ | RESISTOR | 0.03Ω 1/3W J | 1 | |
| R111 | | RZ73F0CH30LJ | RESISTOR | 0.03Ω 1/3W J | 1 | |
| R112 | | RK73HB1J100J | MG RESISTOR | 10Ω 1/16W J | 1 | |
| R113 | | RK73HB1J100J | MG RESISTOR | 10Ω 1/16W J | 1 | |
| R114 | | RK73HB1J101J | MG RESISTOR | 100Ω 1/16W J | 1 | |
| R119 | | RK73HH1J102D | MG RESISTOR | 1kΩ 1/16W D | 1 | |
| R120 | | RK73HH1J104D | MG RESISTOR | 100kΩ 1/16W D | 1 | |
| R121 | | RK73HB1J224J | MG RESISTOR | 220kΩ 1/16W J | 1 | |
| R122 | | RK73HB1J224J | MG RESISTOR | 220kΩ 1/16W J | 1 | |
| R125 | | RK73HB1J223J | MG RESISTOR | 22kΩ 1/16W J | 1 | |
| R126 | | RZ73F0CH30LJ | RESISTOR | 0.03Ω 1/3W J | 1 | |
| R127 | | RZ73F0CH30LJ | RESISTOR | 0.03Ω 1/3W J | 1 | |
| R131 | | RK73GB2A200J | MG RESISTOR | 20Ω 1/10W J | 1 | |
| R132 | | RK73HB1J473J | MG RESISTOR | 47kΩ 1/16W J | 1 | |
| R134 | | RK73HB1J333J | MG RESISTOR | 33kΩ 1/16W J | 1 | |
| R135 | | RK73HB1J000J | MG RESISTOR | 0Ω 1/16W J | 1 | |
| R136 | | RK73HH1J100D | MG RESISTOR | 10Ω 1/16W D | 1 | |
| R137 | | RK73HH1J393D | MG RESISTOR | 39kΩ 1/16W D | 1 | |
| R138 | | RK73HH1J222D | MG RESISTOR | 2.2kΩ 1/16W D | 1 | |
| R139 | | RK73HH1J752D | MG RESISTOR | 7.5kΩ 1/16W D | 1 | |
| R140 | | RK73HB1J000J | MG RESISTOR | 0Ω 1/16W J | 1 | |
| R141 | | RK73EB2E151J | MG RESISTOR | 150Ω 1/4W J | 1 | |
| R142 | | RK73HB1J223J | MG RESISTOR | 22kΩ 1/16W J | 1 | |
| R144 | | RK73HB1J101J | MG RESISTOR | 100Ω 1/16W J | 1 | |
| R145 | | RK73HB1J272J | MG RESISTOR | 2.7kΩ 1/16W J | 1 | |
| R146 | | RK73HB1J102J | MG RESISTOR | 1kΩ 1/16W J | 1 | |
| R147 | | RK73HB1J000J | MG RESISTOR | 0Ω 1/16W J | 1 | |
| R150 | | RZ73F0CH30LJ | RESISTOR | 0.03Ω 1/3W J | 1 | |
| R151 | | RZ73F0CH30LJ | RESISTOR | 0.03Ω 1/3W J | 1 | |
| R152 | | RK73HB1J100J | MG RESISTOR | 10Ω 1/16W J | 1 | |
| R153 | | RK73HB1J100J | MG RESISTOR | 10Ω 1/16W J | 1 | |
| R154 | | RK73HB1J101J | MG RESISTOR | 100Ω 1/16W J | 1 | |
| R159 | | RK73HH1J102D | MG RESISTOR | 1kΩ 1/16W D | 1 | |
| R160 | | RK73HH1J104D | MG RESISTOR | 100kΩ 1/16W D | 1 | |
| R161 | | RK73HB1J224J | MG RESISTOR | 220kΩ 1/16W J | 1 | |
| R162 | | RK73HB1J224J | MG RESISTOR | 220kΩ 1/16W J | 1 | |
| R165 | | RK73HB1J223J | MG RESISTOR | 22kΩ 1/16W J | 1 | |
| R166 | | RZ73F0CH30LJ | RESISTOR | 0.03Ω 1/3W J | 1 | |
| R167 | | RZ73F0CH30LJ | RESISTOR | 0.03Ω 1/3W J | 1 | |
| R209 | | RK73GB2A101J | MG RESISTOR | 100Ω 1/10W J | 1 | |
| R210 | | RK73GB2A101J | MG RESISTOR | 100Ω 1/10W J | 1 | |
| R211 | | RK73HB1J473J | MG RESISTOR | 47kΩ 1/16W J | 1 | |
| R213 | | RK73HB1J101J | MG RESISTOR | 100Ω 1/16W J | 1 | |
| R214 | | RK73HB1J223J | MG RESISTOR | 22kΩ 1/16W J | 1 | |
| R231 | | RK73GB2A000J | MG RESISTOR | 0Ω 1/10W J | 1 | |
| R232 | | RK73HB1J100J | MG RESISTOR | 10Ω 1/16W J | 1 | |
| R233 | | RK73HB1J100J | MG RESISTOR | 10Ω 1/16W J | 1 | |
| R236 | | RK73HB1J000J | MG RESISTOR | 0Ω 1/16W J | 1 | |
| R237 | | RK73HH1J201D | MG RESISTOR | 200Ω 1/16W D | 1 | |
| R238 | | RK73HB1J000J | MG RESISTOR | 0Ω 1/16W J | 1 | |
| R239 | | RK73HH1J391D | MG RESISTOR | 390Ω 1/16W D | 1 | |
| R240 | | RK73HB1J000J | MG RESISTOR | 0Ω 1/16W J | 1 | |
| R241 | | RK73HB1J220J | MG RESISTOR | 22Ω 1/16W J | 1 | |
| R242 | | RK73HB1J220J | MG RESISTOR | 22Ω 1/16W J | 1 | |
| R243 | | RK73HH1J683D | MG RESISTOR | 68kΩ 1/16W D | 1 | |
| R244 | | RK73HH1J683D | MG RESISTOR | 68kΩ 1/16W D | 1 | |
| R246 | | RK73HB1J000J | MG RESISTOR | 0Ω 1/16W J | 1 | |
| R247 | | RK73HB1J000J | MG RESISTOR | 0Ω 1/16W J | 1 | |
| R251 | | RK73HB1J101J | MG RESISTOR | 100Ω 1/16W J | 1 | |
| R252 | | RK73HB1J101J | MG RESISTOR | 100Ω 1/16W J | 1 | |
| R253 | | RK73GB2A000J | MG RESISTOR | 0Ω 1/10W J | 1 | |
| R261 | | RK73GB2A000J | MG RESISTOR | 0Ω 1/10W J | 1 | |
| R262 | | RK73HB1J4R7J | MG RESISTOR | 4.7Ω 1/16W J | 1 | |
| R263 | | RK73HB1J223J | MG RESISTOR | 22kΩ 1/16W J | 1 | |

| | | | |
|----------|------|----------|------|
| MODEL | MARK | MODEL | MARK |
| DDX8706S | K2 | DDX8906S | K1 |

| Safe | Symbol No. | Parts No. | Parts Name | Description | QTY | Local |
|------|------------|--------------|-------------|---------------|-----|-------|
| | R264 | RK73HB1J223J | MG RESISTOR | 22kΩ 1/16W J | 1 | |
| | R265 | RK73HB1J100J | MG RESISTOR | 10Ω 1/16W J | 1 | |
| | R266 | RK73HB1J100J | MG RESISTOR | 10Ω 1/16W J | 1 | |
| | R267 | RK73HH1J183D | MG RESISTOR | 18kΩ 1/16W D | 1 | |
| | R268 | RK73HH1J183D | MG RESISTOR | 18kΩ 1/16W D | 1 | |
| | R269 | RK73HH1J183D | MG RESISTOR | 18kΩ 1/16W D | 1 | |
| | R270 | RK73HH1J183D | MG RESISTOR | 18kΩ 1/16W D | 1 | |
| | R271 | RK73HH1J752D | MG RESISTOR | 7.5kΩ 1/16W D | 1 | |
| | R272 | RK73HH1J752D | MG RESISTOR | 7.5kΩ 1/16W D | 1 | |
| | R273 | RK73HH1J123D | MG RESISTOR | 12kΩ 1/16W D | 1 | |
| | R274 | RK73HH1J123D | MG RESISTOR | 12kΩ 1/16W D | 1 | |
| | R275 | RK73HH1J752D | MG RESISTOR | 7.5kΩ 1/16W D | 1 | |
| | R276 | RK73HH1J752D | MG RESISTOR | 7.5kΩ 1/16W D | 1 | |
| | R277 | RK73HH1J123D | MG RESISTOR | 12kΩ 1/16W D | 1 | |
| | R278 | RK73HH1J123D | MG RESISTOR | 12kΩ 1/16W D | 1 | |
| | R279 | RK73HB1J103J | MG RESISTOR | 10kΩ 1/16W J | 1 | |
| | R280 | RK73HB1J393J | MG RESISTOR | 39kΩ 1/16W J | 1 | |
| | R281 | RK73HB1J100J | MG RESISTOR | 10Ω 1/16W J | 1 | |
| | R282 | RK73HB1J100J | MG RESISTOR | 10Ω 1/16W J | 1 | |
| | R283 | RK73GB2A000J | MG RESISTOR | 0Ω 1/10W J | 1 | |
| | R284 | RK73HB1J303J | MG RESISTOR | 30kΩ 1/16W J | 1 | |
| | R285 | RK73HB1J303J | MG RESISTOR | 30kΩ 1/16W J | 1 | |
| | R286 | RK73HH1J750D | MG RESISTOR | 75Ω 1/16W D | 1 | |
| | R288 | RK73HB1J750J | MG RESISTOR | 75Ω 1/16W J | 1 | |
| | R301 | RK73HB1J102J | MG RESISTOR | 1kΩ 1/16W J | 1 | |
| | R302 | RK73HB1J101J | MG RESISTOR | 100Ω 1/16W J | 1 | |
| | R303 | RK73HB1J223J | MG RESISTOR | 22kΩ 1/16W J | 1 | |
| | R304 | RK73HB1J101J | MG RESISTOR | 100Ω 1/16W J | 1 | |
| | R305 | RK73HB1J101J | MG RESISTOR | 100Ω 1/16W J | 1 | |
| | R306 | RK73HB1J101J | MG RESISTOR | 100Ω 1/16W J | 1 | |
| | R307 | RK73HB1J101J | MG RESISTOR | 100Ω 1/16W J | 1 | |
| | R310 | RK73HB1J152J | MG RESISTOR | 1.5kΩ 1/16W J | 1 | |
| | R311 | RK73HB1J101J | MG RESISTOR | 100Ω 1/16W J | 1 | |
| | R312 | RK73HB1J473J | MG RESISTOR | 47kΩ 1/16W J | 1 | |
| | R313 | RK73HB1J101J | MG RESISTOR | 100Ω 1/16W J | 1 | |
| | R314 | RK73HB1J473J | MG RESISTOR | 47kΩ 1/16W J | 1 | |
| | R315 | RK73HB1J101J | MG RESISTOR | 100Ω 1/16W J | 1 | |
| | R316 | RK73HB1J473J | MG RESISTOR | 47kΩ 1/16W J | 1 | |
| | R317 | RK73HB1J272J | MG RESISTOR | 2.7kΩ 1/16W J | 1 | |
| | R318 | RK73HB1J104J | MG RESISTOR | 100kΩ 1/16W J | 1 | |
| | R319 | RK73HB1J104J | MG RESISTOR | 100kΩ 1/16W J | 1 | |
| | R320 | RK73HB1J473J | MG RESISTOR | 47kΩ 1/16W J | 1 | |
| | R321 | RK73HB1J101J | MG RESISTOR | 100Ω 1/16W J | 1 | |
| | R322 | RK73HB1J103J | MG RESISTOR | 10kΩ 1/16W J | 1 | |
| | R323 | RK73HB1J101J | MG RESISTOR | 100Ω 1/16W J | 1 | |
| | R324 | RK73HB1J101J | MG RESISTOR | 100Ω 1/16W J | 1 | |
| | R325 | RK73HB1J101J | MG RESISTOR | 100Ω 1/16W J | 1 | |
| | R326 | RK73HB1J101J | MG RESISTOR | 100Ω 1/16W J | 1 | |
| | R327 | RK73HB1J473J | MG RESISTOR | 47kΩ 1/16W J | 1 | |
| | R328 | RK73HB1J101J | MG RESISTOR | 100Ω 1/16W J | 1 | |
| | R329 | RK73HB1J473J | MG RESISTOR | 47kΩ 1/16W J | 1 | |
| | R331 | RK73HB1J101J | MG RESISTOR | 100Ω 1/16W J | 1 | |
| | R332 | RK73HB1J473J | MG RESISTOR | 47kΩ 1/16W J | 1 | |
| | R333 | RK73HB1J101J | MG RESISTOR | 100Ω 1/16W J | 1 | |
| | R334 | RK73HB1J101J | MG RESISTOR | 100Ω 1/16W J | 1 | |
| | R335 | RK73HB1J223J | MG RESISTOR | 22kΩ 1/16W J | 1 | |
| | R336 | RK73HB1J101J | MG RESISTOR | 100Ω 1/16W J | 1 | |
| | R337 | RK73HB1J101J | MG RESISTOR | 100Ω 1/16W J | 1 | |
| | R338 | RK73HB1J101J | MG RESISTOR | 100Ω 1/16W J | 1 | |
| | R339 | RK73HB1J101J | MG RESISTOR | 100Ω 1/16W J | 1 | |
| | R340 | RK73HB1J102J | MG RESISTOR | 1kΩ 1/16W J | 1 | |
| | R341 | RK73HB1J223J | MG RESISTOR | 22kΩ 1/16W J | 1 | |
| | R342 | RK73HB1J101J | MG RESISTOR | 100Ω 1/16W J | 1 | |
| | R343 | RK73HB1J101J | MG RESISTOR | 100Ω 1/16W J | 1 | |
| | R344 | RK73HB1J102J | MG RESISTOR | 1kΩ 1/16W J | 1 | |
| | R345 | RK73HB1J223J | MG RESISTOR | 22kΩ 1/16W J | 1 | |
| | R346 | RK73HB1J101J | MG RESISTOR | 100Ω 1/16W J | 1 | |
| | R347 | RK73HB1J102J | MG RESISTOR | 1kΩ 1/16W J | 1 | |
| | R348 | RK73HB1J223J | MG RESISTOR | 22kΩ 1/16W J | 1 | |
| | R349 | RK73HB1J101J | MG RESISTOR | 100Ω 1/16W J | 1 | |
| | R350 | RK73HB1J223J | MG RESISTOR | 22kΩ 1/16W J | 1 | |
| | R351 | RK73HB1J222J | MG RESISTOR | 2.2kΩ 1/16W J | 1 | |
| | R352 | RK73HB1J222J | MG RESISTOR | 2.2kΩ 1/16W J | 1 | |
| | R353 | RK73HB1J102J | MG RESISTOR | 1kΩ 1/16W J | 1 | |
| | R354 | RK73HB1J101J | MG RESISTOR | 100Ω 1/16W J | 1 | |
| | R355 | RK73HB1J102J | MG RESISTOR | 1kΩ 1/16W J | 1 | |
| | R356 | RK73HB1J101J | MG RESISTOR | 100Ω 1/16W J | 1 | |
| | R357 | RK73HB1J101J | MG RESISTOR | 100Ω 1/16W J | 1 | |
| | R358 | RK73HB1J101J | MG RESISTOR | 100Ω 1/16W J | 1 | |
| | R359 | RK73HB1J103J | MG RESISTOR | 10kΩ 1/16W J | 1 | |
| | R360 | RK73HB1J473J | MG RESISTOR | 47kΩ 1/16W J | 1 | |
| | R361 | RK73HB1J000J | MG RESISTOR | 0Ω 1/16W J | 1 | |
| | R362 | RK73HB1J103J | MG RESISTOR | 10kΩ 1/16W J | 1 | |
| | R363 | RK73HB1J103J | MG RESISTOR | 10kΩ 1/16W J | 1 | |
| | R364 | RK73HB1J000J | MG RESISTOR | 0Ω 1/16W J | 1 | |
| | R365 | RK73HB1J000J | MG RESISTOR | 0Ω 1/16W J | 1 | |
| | R366 | RK73HB1J473J | MG RESISTOR | 47kΩ 1/16W J | 1 | |
| | R367 | RK73HB1J101J | MG RESISTOR | 100Ω 1/16W J | 1 | |
| | R368 | RK73HB1J101J | MG RESISTOR | 100Ω 1/16W J | 1 | |
| | R369 | RK73HB1J101J | MG RESISTOR | 100Ω 1/16W J | 1 | |
| | R370 | RK73HB1J101J | MG RESISTOR | 100Ω 1/16W J | 1 | |
| | R371 | RK73HB1J101J | MG RESISTOR | 100Ω 1/16W J | 1 | |
| | R372 | RK73HB1J101J | MG RESISTOR | 100Ω 1/16W J | 1 | |

| | | | |
|----------|------|----------|------|
| MODEL | MARK | MODEL | MARK |
| DDX8706S | K2 | DDX8906S | K1 |

| Safe | Symbol No. | Parts No. | Parts Name | Description | QTY | Local |
|------|------------|--------------|-------------|---------------|-----|-------|
| | R373 | RK73HB1J103J | MG RESISTOR | 10kΩ 1/16W J | 1 | |
| | R374 | RK73HB1J103J | MG RESISTOR | 10kΩ 1/16W J | 1 | |
| | R375 | RK73HB1J224J | MG RESISTOR | 220kΩ 1/16W J | 1 | |
| | R376 | RK73HB1J471J | MG RESISTOR | 470Ω 1/16W J | 1 | |
| | R377 | RK73HB1J823J | MG RESISTOR | 82kΩ 1/16W J | 1 | |
| | R378 | RK73HB1J103J | MG RESISTOR | 10kΩ 1/16W J | 1 | |
| | R379 | RK73HB1J124J | MG RESISTOR | 120kΩ 1/16W J | 1 | |
| | R380 | RK73HB1J472J | MG RESISTOR | 4.7kΩ 1/16W J | 1 | |
| | R381 | RK73HB1J101J | MG RESISTOR | 100Ω 1/16W J | 1 | |
| | R382 | RK73HB1J101J | MG RESISTOR | 100Ω 1/16W J | 1 | |
| | R383 | RK73HB1J104J | MG RESISTOR | 100kΩ 1/16W J | 1 | |
| | R386 | RK73HB1J000J | MG RESISTOR | 0Ω 1/16W J | 1 | |
| | R389 | RK73HB1J473J | MG RESISTOR | 47kΩ 1/16W J | 1 | |
| | R391 | RK73HB1J101J | MG RESISTOR | 100Ω 1/16W J | 1 | |
| | R392 | RK73HB1J101J | MG RESISTOR | 100Ω 1/16W J | 1 | |
| | R393 | RK73HB1J473J | MG RESISTOR | 47kΩ 1/16W J | 1 | |
| | R394 | RK73HB1J103J | MG RESISTOR | 10kΩ 1/16W J | 1 | |
| | R395 | RK73HB1J102J | MG RESISTOR | 1kΩ 1/16W J | 1 | |
| | R396 | RK73HB1J473J | MG RESISTOR | 47kΩ 1/16W J | 1 | |
| | R397 | RK73HB1J473J | MG RESISTOR | 47kΩ 1/16W J | 1 | |
| | R398 | RK73HB1J473J | MG RESISTOR | 47kΩ 1/16W J | 1 | |
| | R401 | RK73GB2A101J | MG RESISTOR | 100Ω 1/10W J | 1 | |
| | R402 | RK73GB2A220J | MG RESISTOR | 22Ω 1/10W J | 1 | |
| | R403 | RK73HB1J473J | MG RESISTOR | 47kΩ 1/16W J | 1 | |
| | R404 | RK73HB1J101J | MG RESISTOR | 100Ω 1/16W J | 1 | |
| | R405 | RK73HB1J101J | MG RESISTOR | 100Ω 1/16W J | 1 | |
| | R406 | RK73HB1J101J | MG RESISTOR | 100Ω 1/16W J | 1 | |
| | R413 | RK73GH2A472D | MG RESISTOR | 4.7kΩ 1/10W D | 1 | |
| | R414 | RK73GH2A472D | MG RESISTOR | 4.7kΩ 1/10W D | 1 | |
| | R417 | RK73HB1J152J | MG RESISTOR | 1.5kΩ 1/16W J | 1 | |
| | R418 | RK73HB1J152J | MG RESISTOR | 1.5kΩ 1/16W J | 1 | |
| | R419 | RK73HB1J681J | MG RESISTOR | 680Ω 1/16W J | 1 | |
| | R420 | RK73HB1J681J | MG RESISTOR | 680Ω 1/16W J | 1 | |
| | R431 | RK73HB1J000J | MG RESISTOR | 0Ω 1/16W J | 1 | |
| | R432 | RK73HB1J000J | MG RESISTOR | 0Ω 1/16W J | 1 | |
| | R433 | RK73HB1J000J | MG RESISTOR | 0Ω 1/16W J | 1 | |
| | R437 | RK73HB1J000J | MG RESISTOR | 0Ω 1/16W J | 1 | |
| | R438 | RK73HB1J000J | MG RESISTOR | 0Ω 1/16W J | 1 | |
| | R439 | RK73HB1J000J | MG RESISTOR | 0Ω 1/16W J | 1 | |
| | R440 | RK73GB2A000J | MG RESISTOR | 0Ω 1/10W J | 1 | |
| | R501 | RK73HB1J100J | MG RESISTOR | 10Ω 1/16W J | 1 | |
| | R503 | RK73HB1J223J | MG RESISTOR | 22kΩ 1/16W J | 1 | |
| | R504 | RK73HB1J223J | MG RESISTOR | 22kΩ 1/16W J | 1 | |
| | R506 | RK73HB1J223J | MG RESISTOR | 22kΩ 1/16W J | 1 | |
| | R507 | RK73HB1J223J | MG RESISTOR | 22kΩ 1/16W J | 1 | |
| | R508 | RK73HB1J103J | MG RESISTOR | 10kΩ 1/16W J | 1 | |
| | R509 | RK73HB1J103J | MG RESISTOR | 10kΩ 1/16W J | 1 | |
| | R510 | RK73HB1J203J | MG RESISTOR | 20kΩ 1/16W J | 1 | |
| | R511 | RK73HB1J203J | MG RESISTOR | 20kΩ 1/16W J | 1 | |
| | R512 | RK73HB1J203J | MG RESISTOR | 20kΩ 1/16W J | 1 | |
| | R513 | RK73HB1J203J | MG RESISTOR | 20kΩ 1/16W J | 1 | |
| | R514 | RK73HB1J103J | MG RESISTOR | 10kΩ 1/16W J | 1 | |
| | R515 | RK73HB1J103J | MG RESISTOR | 10kΩ 1/16W J | 1 | |
| | R516 | RK73HB1J203J | MG RESISTOR | 20kΩ 1/16W J | 1 | |
| | R517 | RK73HB1J203J | MG RESISTOR | 20kΩ 1/16W J | 1 | |
| | R518 | RK73HB1J221J | MG RESISTOR | 220Ω 1/16W J | 1 | |
| | R519 | RK73HB1J221J | MG RESISTOR | 220Ω 1/16W J | 1 | |
| | R520 | RK73HB1J000J | MG RESISTOR | 0Ω 1/16W J | 1 | |
| | R521 | RK73HB1J221J | MG RESISTOR | 220Ω 1/16W J | 1 | |
| | R522 | RK73HB1J221J | MG RESISTOR | 220Ω 1/16W J | 1 | |
| | R523 | RK73HB1J000J | MG RESISTOR | 0Ω 1/16W J | 1 | |
| | R524 | RK73HB1J000J | MG RESISTOR | 0Ω 1/16W J | 1 | |
| | R525 | RK73HB1J203J | MG RESISTOR | 20kΩ 1/16W J | 1 | |
| | R526 | RK73HB1J203J | MG RESISTOR | 20kΩ 1/16W J | 1 | |
| | R527 | RK73HB1J000J | MG RESISTOR | 0Ω 1/16W J | 1 | |
| | R528 | RK73HB1J000J | MG RESISTOR | 0Ω 1/16W J | 1 | |
| | R529 | RK73GB2A2R2J | MG RESISTOR | 2.2Ω 1/10W J | 1 | |
| | R530 | RK73HB1J101J | MG RESISTOR | 100Ω 1/16W J | 1 | |
| | R531 | RK73HB1J101J | MG RESISTOR | 100Ω 1/16W J | 1 | |
| | R532 | RK73HB1J101J | MG RESISTOR | 100Ω 1/16W J | 1 | |
| | R533 | RK73HB1J000J | MG RESISTOR | 0Ω 1/16W J | 1 | |
| | R534 | RK73HB1J100J | MG RESISTOR | 10Ω 1/16W J | 1 | |
| | R535 | RK73HB1J100J | MG RESISTOR | 10Ω 1/16W J | 1 | |
| | R536 | RK73HB1J100J | MG RESISTOR | 10Ω 1/16W J | 1 | |
| | R537 | RK73GB2A100J | MG RESISTOR | 10Ω 1/10W J | 1 | |
| | R538 | RK73GB2A2R2J | MG RESISTOR | 2.2Ω 1/10W J | 1 | |
| | R539 | RK73HB1J221J | MG RESISTOR | 220Ω 1/16W J | 1 | |
| | R540 | RK73HB1J221J | MG RESISTOR | 220Ω 1/16W J | 1 | |
| | R541 | RK73HB1J221J | MG RESISTOR | 220Ω 1/16W J | 1 | |
| | R542 | RK73HB1J221J | MG RESISTOR | 220Ω 1/16W J | 1 | |
| | R543 | RK73HB1J000J | MG RESISTOR | 0Ω 1/16W J | 1 | |
| | R544 | RK73HB1J000J | MG RESISTOR | 0Ω 1/16W J | 1 | |
| | R545 | RK73HB1J101J | MG RESISTOR | 100Ω 1/16W J | 1 | |
| | R546 | RK73HB1J101J | MG RESISTOR | 100Ω 1/16W J | 1 | |
| | R547 | RK73HB1J000J | MG RESISTOR | 0Ω 1/16W J | 1 | |
| | R550 | RK73HB1J472J | MG RESISTOR | 4.7kΩ 1/16W J | 1 | |
| | R551 | RK73HB1J222J | MG RESISTOR | 2.2kΩ 1/16W J | 1 | |
| | R552 | RK73HB1J101J | MG RESISTOR | 100Ω 1/16W J | 1 | |
| | R553 | RK73HB1J101J | MG RESISTOR | 100Ω 1/16W J | 1 | |
| | R554 | RK73HB1J101J | MG RESISTOR | 100Ω 1/16W J | 1 | |
| | R555 | RK73HB1J101J | MG RESISTOR | 100Ω 1/16W J | 1 | |
| | R556 | RK73HB1J101J | MG RESISTOR | 100Ω 1/16W J | 1 | |

| | | | |
|----------|------|----------|------|
| MODEL | MARK | MODEL | MARK |
| DDX8706S | K2 | DDX8906S | K1 |

| Safe | Symbol No. | Parts No. | Parts Name | Description | QTY | Local |
|------|------------|---------------|-----------------|---------------|-----|-------|
| | R558 | RK73HB1J000J | MG RESISTOR | 0Ω 1/16W J | 1 | |
| | R559 | RK73HB1J101J | MG RESISTOR | 100Ω 1/16W J | 1 | |
| | R560 | RK73HB1J101J | MG RESISTOR | 100Ω 1/16W J | 1 | |
| | R561 | RK73HB1J101J | MG RESISTOR | 100Ω 1/16W J | 1 | |
| | R562 | RK73HB1J000J | MG RESISTOR | 0Ω 1/16W J | 1 | |
| | R563 | RK73HB1J000J | MG RESISTOR | 0Ω 1/16W J | 1 | |
| | R564 | RK73HB1J000J | MG RESISTOR | 0Ω 1/16W J | 1 | |
| | R565 | RK73HB1J101J | MG RESISTOR | 100Ω 1/16W J | 1 | |
| | R566 | RK73HB1J100J | MG RESISTOR | 10Ω 1/16W J | 1 | |
| | R567 | RK73HB1J100J | MG RESISTOR | 10Ω 1/16W J | 1 | |
| | R568 | RK73HB1J181J | MG RESISTOR | 180Ω 1/16W J | 1 | |
| | R569 | RK73HB1J223J | MG RESISTOR | 22kΩ 1/16W J | 1 | |
| | R570 | RK73HB1J100J | MG RESISTOR | 10Ω 1/16W J | 1 | |
| | R572 | RK73HB1J000J | MG RESISTOR | 0Ω 1/16W J | 1 | |
| | R574 | RK73HB1J100J | MG RESISTOR | 10Ω 1/16W J | 1 | |
| | R575 | RK73HB1J100J | MG RESISTOR | 10Ω 1/16W J | 1 | |
| | R576 | RK73HB1J000J | MG RESISTOR | 0Ω 1/16W J | 1 | |
| | R577 | RK73HB1J100J | MG RESISTOR | 10Ω 1/16W J | 1 | |
| | R578 | RK73GB2A2R2J | MG RESISTOR | 2.2Ω 1/10W J | 1 | |
| | R579 | RK73GB2A2R2J | MG RESISTOR | 2.2Ω 1/10W J | 1 | |
| | R581 | RK73HB1J101J | MG RESISTOR | 100Ω 1/16W J | 1 | |
| | R582 | RK73HB1J000J | MG RESISTOR | 0Ω 1/16W J | 1 | |
| | R583 | RK73HB1J000J | MG RESISTOR | 0Ω 1/16W J | 1 | |
| | R584 | RK73HB1J000J | MG RESISTOR | 0Ω 1/16W J | 1 | |
| | R585 | RK73GB2A000J | MG RESISTOR | 0Ω 1/10W J | 1 | |
| | R586 | RK73GB2A000J | MG RESISTOR | 0Ω 1/10W J | 1 | |
| | R587 | RK73HB1J392J | MG RESISTOR | 3.9kΩ 1/16W J | 1 | |
| | R588 | RK73HH1J221D | MG RESISTOR | 220Ω 1/16W D | 1 | |
| | R589 | RK73HH1J221D | MG RESISTOR | 220Ω 1/16W D | 1 | |
| | R590 | RK73HH1J221D | MG RESISTOR | 220Ω 1/16W D | 1 | |
| | R591 | RK73HH1J221D | MG RESISTOR | 220Ω 1/16W D | 1 | |
| | R592 | RK73HH1J221D | MG RESISTOR | 220Ω 1/16W D | 1 | |
| | R593 | RK73HH1J221D | MG RESISTOR | 220Ω 1/16W D | 1 | |
| | R594 | RK73HH1J221D | MG RESISTOR | 220Ω 1/16W D | 1 | |
| | R595 | RK73HH1J221D | MG RESISTOR | 220Ω 1/16W D | 1 | |
| | R596 | RK73HB1J223J | MG RESISTOR | 22kΩ 1/16W J | 1 | |
| | R597 | RK73HB1J101J | MG RESISTOR | 100Ω 1/16W J | 1 | |
| | R598 | RK73HB1J101J | MG RESISTOR | 100Ω 1/16W J | 1 | |
| | R599 | RK73GB2A000J | MG RESISTOR | 0Ω 1/10W J | 1 | |
| | R600 | RK73GB2A000J | MG RESISTOR | 0Ω 1/10W J | 1 | |
| | R604 | RK73HB1J000J | MG RESISTOR | 0Ω 1/16W J | 1 | |
| | R609 | RK73HB1J203J | MG RESISTOR | 20kΩ 1/16W J | 1 | |
| | R610 | RK73HB1J203J | MG RESISTOR | 20kΩ 1/16W J | 1 | |
| | R612 | RK73HB1J304J | MG RESISTOR | 300kΩ 1/16W J | 1 | |
| | R614 | RK73HB1J304J | MG RESISTOR | 300kΩ 1/16W J | 1 | |
| | R615 | RK73GB2A000J | MG RESISTOR | 0Ω 1/10W J | 1 | |
| | R616 | RK73HB1J223J | MG RESISTOR | 22kΩ 1/16W J | 1 | |
| | R617 | RK73HB1J223J | MG RESISTOR | 22kΩ 1/16W J | 1 | |
| | R618 | RK73HB1J333J | MG RESISTOR | 33kΩ 1/16W J | 1 | |
| | R620 | RK73HB1J123J | MG RESISTOR | 12kΩ 1/16W J | 1 | |
| | R622 | RK73GB2A2R2J | MG RESISTOR | 2.2Ω 1/10W J | 1 | |
| | R624 | RK73HB1J752J | MG RESISTOR | 7.5kΩ 1/16W J | 1 | |
| | R625 | RK73HB1J101J | MG RESISTOR | 100Ω 1/16W J | 1 | |
| | R638 | RK73HB1J000J | MG RESISTOR | 0Ω 1/16W J | 1 | |
| | R801 | RK73HB1J000J | MG RESISTOR | 0Ω 1/16W J | 1 | |
| | R802 | RK73HB1J000J | MG RESISTOR | 0Ω 1/16W J | 1 | |
| | R803 | RK73HB1J000J | MG RESISTOR | 0Ω 1/16W J | 1 | |
| | R805 | RK73HB1J220J | MG RESISTOR | 22Ω 1/16W J | 1 | |
| | R806 | RK73HB1J220J | MG RESISTOR | 22Ω 1/16W J | 1 | |
| | R807 | RK73HB1J000J | MG RESISTOR | 0Ω 1/16W J | 1 | |
| | R808 | RK73HB1J000J | MG RESISTOR | 0Ω 1/16W J | 1 | |
| | R811 | RK73PB2H100J | MG RESISTOR | 10Ω 1/2W J | 1 | |
| | R812 | RK73HB1J151J | MG RESISTOR | 150Ω 1/16W J | 1 | |
| | R813 | RK73HB1J103J | MG RESISTOR | 10kΩ 1/16W J | 1 | |
| | R814 | RK73HB1J102J | MG RESISTOR | 1kΩ 1/16W J | 1 | |
| | R815 | RK73HB1J000J | MG RESISTOR | 0Ω 1/16W J | 1 | |
| | R816 | RK73HB1J101J | MG RESISTOR | 100Ω 1/16W J | 1 | |
| | R817 | RK73HB1J102J | MG RESISTOR | 1kΩ 1/16W J | 1 | |
| | R818 | RK73HB1J223J | MG RESISTOR | 22kΩ 1/16W J | 1 | |
| | R820 | RK73GB2A000J | MG RESISTOR | 0Ω 1/10W J | 1 | |
| | RA261 | RK74GB1J301J | MG RESISTOR | 300Ω 1/16W J | 1 | |
| | RA281 | RK74GB1J301J | MG RESISTOR | 300Ω 1/16W J | 1 | |
| | RA282 | RK74GB1J301J | MG RESISTOR | 300Ω 1/16W J | 1 | |
| | L32 | LR79Z0DY100M | CHIP INDUCTOR | | 1 | |
| | L92 | LR79Z0DY100M | CHIP INDUCTOR | | 1 | |
| | L132 | LR79Z0DY100M | CHIP INDUCTOR | | 1 | |
| | L231 | LR73Z0AC100K | CHIP INDUCTOR | | 1 | |
| | L301 | LB73G0FK-001 | CHIP FERRITE | | 1 | |
| | L431 | LR79Z0AG100M | CHIP INDUCTOR | | 1 | |
| | L801 | LK73H0AM27NJ | M.CHIP INDUCTOR | 27nH | 1 | |
| | L802 | LR79H0HU7N5G | CHIP INDUCTOR | | 1 | |
| | L803 | LB73H0DZ-001 | CHIP FERRITE | | 1 | |
| | CN1 | EA120AP-2004A | W TO B CONNE | | 1 | |
| | CN71 | EA710AT-1004A | W TO B CONNE | | 1 | |
| | CN121 | EA110AP-2004A | W TO B CONNE | | 1 | |
| | CN201 | EA120CK-2004A | W TO B CONNE | | 1 | |
| | CN281 | EA110AP-2004A | W TO B CONNE | | 1 | |
| | CN301 | EA720AT-1008A | W TO B CONNE | | 1 | |
| | CN303 | EC720AA-0510A | FFC FPC CONNE | | 1 | |
| | CN401 | EA120CE-2503A | W TO B CONNE | | 1 | |
| | CN431 | EC710AM-0535A | FFC FPC CONNE | | 1 | |
| | CN601 | EB770AX-05C0A | B TO B CONNE | | 1 | |
| | CN602 | EC720AA-0550A | FFC FPC CONNE | | 1 | |

| MODEL | MARK | MODEL | MARK |
|----------|------|----------|------|
| DDX8706S | K2 | DDX8906S | K1 |

| Safe | Symbol No. | Parts No. | Parts Name | Description | QTY | Local |
|-----------------------------------|------------|---------------|-----------------|-----------------|-----|-------|
| | CN603 | EC720AA-0560A | FFC FPC CONNE | | 1 | |
| △ | F1 | FZA10BZ-7R0 | FUSE (CC) | | 1 | |
| △ | F201 | F53-0513-08 | PATTERN FUSE | 4A | 1 | |
| △ | F202 | F53-0513-08 | PATTERN FUSE | 4A | 1 | |
| △ | F261 | F53-0513-08 | PATTERN FUSE | 4A | 1 | |
| △ | F281 | F53-0513-08 | PATTERN FUSE | 4A | 1 | |
| △ | F401 | F53-0513-08 | PATTERN FUSE | 4A | 1 | |
| △ | F411 | F53-0513-08 | PATTERN FUSE | 4A | 1 | |
| △ | F431 | FZA10BF-1R0 | FUSE (CC) | | 1 | |
| | FL801 | L7K-0072-00 | FILTER | | 1 | |
| | J261 | E1B-0042-00 | 3.5D PHONE JACK | | 1 | |
| | J601 | E1B-0041-00 | 3.5D PHONE JACK | | 1 | |
| | J801 | E5J-0023-00 | R.RECEPTACLE | | 1 | |
| | VA204 | SDV1005A14//0 | VARIISTOR | | 1 | |
| | VA205 | SDV1005A14//0 | VARIISTOR | | 1 | |
| | VA261 | SDV1005E18//1 | VARIISTOR | | 1 | |
| | VA262 | SDV1005E18//1 | VARIISTOR | | 1 | |
| | VA263 | SDV1005A14//0 | VARIISTOR | | 1 | |
| | VA264 | SDV1005A14//0 | VARIISTOR | | 1 | |
| | VA281 | SDV1005E18//1 | VARIISTOR | | 1 | |
| | VA282 | SDV1005E18//1 | VARIISTOR | | 1 | |
| | VA283 | SDV1005E18//1 | VARIISTOR | | 1 | |
| | VA401 | SDV1005A14//0 | VARIISTOR | | 1 | |
| | VA402 | SDV1005A14//0 | VARIISTOR | | 1 | |
| | VA802 | F0K-0040-00 | SURGE ABSORBER | | 1 | |
| | X301 | L7J-0099-00 | QUARTZ CRYSTAL | | 1 | |
| | X501 | L7J-0026-00 | QUARTZ CRYSTAL | | 1 | |
| | X801 | L7H-0098-00 | TCXO | | 1 | |
| | X802 | L7J-0095-00 | QUARTZ CRYSTAL | | 1 | |
| SUB PWB ASSY(XJ5-005K-00) <XJ5> | | | | | | |
| | C1 | CK73JXR1A104K | C CAPACITOR | 0.1uF 10V K | 1 | |
| | C2 | CK73JXR1A104K | C CAPACITOR | 0.1uF 10V K | 1 | |
| | R1 | RK73HB1J181J | MG RESISTOR | 180Ω 1/16W J | 1 | |
| | R2 | RK73HB1J181J | MG RESISTOR | 180Ω 1/16W J | 1 | |
| | R3 | RK73HB1J101J | MG RESISTOR | 100Ω 1/16W J | 1 | |
| | R4 | RK73HB1J181J | MG RESISTOR | 180Ω 1/16W J | 1 | |
| | R5 | RK73HB1J181J | MG RESISTOR | 180Ω 1/16W J | 1 | |
| | R6 | RK73HB1J101J | MG RESISTOR | 100Ω 1/16W J | 1 | |
| | R7 | RK73HB1J000J | MG RESISTOR | 0Ω 1/16W J | 1 | |
| | CN1 | EC720AA-0510A | FFC FPC CONNE | | 1 | |
| | SN1 | ----- | SENSOR | NO SERVICE PART | 1 | |
| AUDIO PWB ASSY(XJ6-136K-0x) <XJ6> | | | | | | |
| | IC1 | LV5680NPVC-H | MOS IC | | 1 | |
| | IC31 | NJU7108F3 | MOS IC | | 1 | |
| | IC41 | XC6223B331P-G | ANALOG IC | | 1 | |
| | IC101 | JCV8031 | ANALOG IC | | 1 | |
| | IC115 | TC7SH17FUJC | MOS IC | | 1 | |
| | IC201 | TDA7715LV | ANALOG IC | | 1 | |
| | IC202 | NJM4580CV | ANALOG IC | | 1 | |
| | IC203 | NJM4580CV | ANALOG IC | | 1 | |
| | IC260 | NJM2123V-ZB | ANALOG IC | | 1 | |
| | IC301 | XC6223B331P-G | ANALOG IC | | 1 | |
| | IC302 | SDP2012AHNV25 | MOS IC | QFN | 1 | |
| | IC511 | TC7SET32FUJC | MOS IC | | 1 | |
| | IC512 | TC7SH17FUJC | MOS IC | | 1 | |
| | IC601 | NJW1240V | MOS IC | | 1 | |
| | IC781 | DRV8837CDSG | ANALOG IC | | 1 | |
| | IC790 | BD00C0AWFP | MOS IC | | 1 | |
| | IC851 | NJM2903CV | MOS IC | | 1 | |
| | IC852 | TC7SH126FUJC | MOS IC | | 1 | |
| | IC853 | TC7SH125FUJC | MOS IC | | 1 | |
| | IC1101 | NJM2746V | ANALOG IC | | 1 | K1 |
| | IC1102 | NJM2746V | ANALOG IC | | 1 | K1 |
| | Q11 | 2SB1689 | TRANSISTOR | | 1 | |
| | Q12 | LTC014YEBFS8 | DIGI TRANSISTOR | | 1 | |
| | Q51 | LSCR523EBFS8 | TRANSISTOR | | 1 | |
| | Q60 | LSAR523EBFS8 | TRANSISTOR | | 1 | |
| | Q61 | LSCR523EBFS8 | TRANSISTOR | | 1 | |
| | Q62 | LSAR523EBFS8 | TRANSISTOR | | 1 | |
| | Q63 | LSCR523EBFS8 | TRANSISTOR | | 1 | |
| | Q80 | LTA014YEBFS8 | DIGI TRANSISTOR | | 1 | |
| | Q81 | LSAR523EBFS8 | TRANSISTOR | | 1 | |
| | Q82 | LSCR523EBFS8 | TRANSISTOR | | 1 | |
| | Q90 | LTC024EEBFS8 | DIGI TRANSISTOR | | 1 | |
| | Q96 | LSCR523EBFS8 | TRANSISTOR | | 1 | |
| | Q151 | LTC014YEBFS8 | DIGI TRANSISTOR | | 1 | |
| | Q152 | LTA043ZEBFS8 | DIGI TRANSISTOR | | 1 | |
| | Q155 | LTC014YEBFS8 | DIGI TRANSISTOR | | 1 | |
| | Q156 | LTA043ZEBFS8 | DIGI TRANSISTOR | | 1 | |
| | Q161 | LTC043TEBFS8 | DIGI TRANSISTOR | | 1 | |
| | Q162 | LTC043TEBFS8 | DIGI TRANSISTOR | | 1 | |
| | Q163 | LTC043TEBFS8 | DIGI TRANSISTOR | | 1 | |
| | Q164 | LTC043TEBFS8 | DIGI TRANSISTOR | | 1 | |
| | Q165 | LTC043TEBFS8 | DIGI TRANSISTOR | | 1 | |
| | Q166 | LTC043TEBFS8 | DIGI TRANSISTOR | | 1 | |
| | Q191 | LTA043ZEBFS8 | DIGI TRANSISTOR | | 1 | |
| | Q193 | LTC043TEBFS8 | DIGI TRANSISTOR | | 1 | |
| | Q194 | LTC043TEBFS8 | DIGI TRANSISTOR | | 1 | |
| | Q781 | LTC014YEBFS8 | DIGI TRANSISTOR | | 1 | |
| | Q782 | LTC014YEBFS8 | DIGI TRANSISTOR | | 1 | |
| | D1 | 1N5402-BPC07 | DIODE | | 1 | |

| | | | |
|----------|------|----------|------|
| MODEL | MARK | MODEL | MARK |
| DDX8706S | K2 | DDX8906S | K1 |

| Safe | Symbol No. | Parts No. | Parts Name | Description | QTY | Local |
|------|------------|---------------|----------------|--------------|-----|-------|
| | D11 | RB161MM-20 | SCHOTTKY DIODE | | 1 | |
| | D32 | UDZV16B | ZENER DIODE | | 1 | |
| | D41 | GS1J-LTP | DIODE | | 1 | |
| | D42 | GS1J-LTP | DIODE | | 1 | |
| | D43 | GS1J-LTP | DIODE | | 1 | |
| | D44 | GS1J-LTP | DIODE | | 1 | |
| | D55 | UDZV6.2B | ZENER DIODE | | 1 | |
| | D60 | 1SS355VM | DIODE | | 1 | |
| | D61 | 1SS355VM | DIODE | | 1 | |
| | D71 | DAP202UM | DIODE | | 1 | |
| | D80 | 1SS355VM | DIODE | | 1 | |
| | D90 | 1SS355VM | DIODE | | 1 | |
| | D96 | UDZV16B | ZENER DIODE | | 1 | |
| | D101 | DAP202UM | DIODE | | 1 | |
| | D151 | DAP202UM | DIODE | | 1 | |
| | D155 | DAP202UM | DIODE | | 1 | |
| | D191 | DAP202UM | DIODE | | 1 | |
| | D202 | 1SS355VM | DIODE | | 1 | |
| | D203 | DAP202UM | DIODE | | 1 | |
| | D204 | DAP202UM | DIODE | | 1 | |
| | D205 | DAP202UM | DIODE | | 1 | |
| | D301 | GS1J-LTP | DIODE | | 1 | |
| | D791 | GS1J-LTP | DIODE | | 1 | |
| | C1 | CD04AZ1C332M2 | E CAPACITOR | 3300uF 16V M | 1 | K2 |
| | C1 | CD04EW1C332M2 | E CAPACITOR | 3300uF 16V M | 1 | K1 |
| | C11 | CE32CB1V101M | E CAPACITOR | 100uF 35V M | 1 | |
| | C12 | CK73JXR1H103K | C CAPACITOR | 0.01uF 50V K | 1 | |
| | C13 | CE32CB1C470M | E CAPACITOR | 47uF 16V M | 1 | |
| | C14 | CE32CB1C470M | E CAPACITOR | 47uF 16V M | 1 | |
| | C15 | CE32CB1A101M | E CAPACITOR | 100uF 10V M | 1 | |
| | C16 | CE32CC1C221M | E CAPACITOR | 220uF 16V M | 1 | |
| | C18 | CK73FXR1E106K | C CAPACITOR | 10uF 25V K | 1 | |
| | C19 | CK73FXR1E106K | C CAPACITOR | 10uF 25V K | 1 | |
| | C20 | CE32CC1C221M | E CAPACITOR | 220uF 16V M | 1 | |
| | C21 | CK73HXR1H104K | C CAPACITOR | 0.1uF 50V K | 1 | |
| | C22 | CE32CC1C221M | E CAPACITOR | 220uF 16V M | 1 | |
| | C23 | CK73HXR1C105K | C CAPACITOR | 1uF 16V K | 1 | |
| | C24 | CK73JXR1E104K | C CAPACITOR | 0.1uF 25V K | 1 | |
| | C25 | CK73JXR1C224K | C CAPACITOR | 0.22uF 16V K | 1 | |
| | C26 | CK73JXR1A104K | C CAPACITOR | 0.1uF 10V K | 1 | |
| | C27 | CE32CC1C221M | E CAPACITOR | 220uF 16V M | 1 | |
| | C28 | CE32CC1C221M | E CAPACITOR | 220uF 16V M | 1 | |
| | C31 | CK73JXR1H103K | C CAPACITOR | 0.01uF 50V K | 1 | |
| | C32 | CK73JXR1H103K | C CAPACITOR | 0.01uF 50V K | 1 | |
| | C41 | CK73GXR1E225K | C CAPACITOR | 2.2uF 25V K | 1 | |
| | C42 | CK73GXR1E225K | C CAPACITOR | 2.2uF 25V K | 1 | |
| | C51 | CK73JXR1H103K | C CAPACITOR | 0.01uF 50V K | 1 | |
| | C52 | CK73HXR1C105K | C CAPACITOR | 1uF 16V K | 1 | |
| | C60 | CC73JCH1H101J | C CAPACITOR | 100pF 50V J | 1 | |
| | C71 | CK73HXR1H104K | C CAPACITOR | 0.1uF 50V K | 1 | |
| | C80 | CK73GXR1E225K | C CAPACITOR | 2.2uF 25V K | 1 | |
| | C90 | CK73JXR1H103K | C CAPACITOR | 0.01uF 50V K | 1 | |
| | C96 | CK73JXR1H103K | C CAPACITOR | 0.01uF 50V K | 1 | |
| | C97 | CK73JXR1H103K | C CAPACITOR | 0.01uF 50V K | 1 | |
| | C100 | CE32CB1C100M | E CAPACITOR | 10uF 16V M | 1 | |
| | C101 | CK73HXR1E474K | C CAPACITOR | 0.47uF 25V K | 1 | |
| | C102 | CK73HXR1E474K | C CAPACITOR | 0.47uF 25V K | 1 | |
| | C103 | CK73HXR1E474K | C CAPACITOR | 0.47uF 25V K | 1 | |
| | C104 | CK73HXR1E474K | C CAPACITOR | 0.47uF 25V K | 1 | |
| | C105 | CC73HCH1H050C | C CAPACITOR | 5pF 50V C | 1 | |
| | C106 | CC73HCH1H050C | C CAPACITOR | 5pF 50V C | 1 | |
| | C109 | CK73HXR1E474K | C CAPACITOR | 0.47uF 25V K | 1 | |
| | C110 | CK73HXR1E474K | C CAPACITOR | 0.47uF 25V K | 1 | |
| | C111 | CK73HXR1E474K | C CAPACITOR | 0.47uF 25V K | 1 | |
| | C112 | CK73HXR1E474K | C CAPACITOR | 0.47uF 25V K | 1 | |
| | C113 | CK73HXR1E474K | C CAPACITOR | 0.47uF 25V K | 1 | |
| | C114 | CK73HXR1E474K | C CAPACITOR | 0.47uF 25V K | 1 | |
| | C115 | CK73JXR1A104K | C CAPACITOR | 0.1uF 10V K | 1 | |
| | C121 | CK73HXR1H102K | C CAPACITOR | 1000pF 50V K | 1 | |
| | C122 | CK73HXR1H102K | C CAPACITOR | 1000pF 50V K | 1 | |
| | C123 | CK73HXR1H102K | C CAPACITOR | 1000pF 50V K | 1 | |
| | C124 | CK73HXR1H102K | C CAPACITOR | 1000pF 50V K | 1 | |
| | C125 | CK73HXR1H102K | C CAPACITOR | 1000pF 50V K | 1 | |
| | C126 | CK73HXR1H102K | C CAPACITOR | 1000pF 50V K | 1 | |
| | C127 | CK73HXR1H102K | C CAPACITOR | 1000pF 50V K | 1 | |
| | C128 | CK73HXR1H102K | C CAPACITOR | 1000pF 50V K | 1 | |
| | C131 | CC73HCH1H221J | C CAPACITOR | 220pF 50V J | 1 | |
| | C132 | CC73HCH1H221J | C CAPACITOR | 220pF 50V J | 1 | |
| | C133 | CC73HCH1H221J | C CAPACITOR | 220pF 50V J | 1 | |
| | C134 | CC73HCH1H221J | C CAPACITOR | 220pF 50V J | 1 | |
| | C135 | CC73HCH1H221J | C CAPACITOR | 220pF 50V J | 1 | |
| | C136 | CC73HCH1H221J | C CAPACITOR | 220pF 50V J | 1 | |
| | C137 | CC73HCH1H221J | C CAPACITOR | 220pF 50V J | 1 | |
| | C138 | CC73HCH1H221J | C CAPACITOR | 220pF 50V J | 1 | |
| | C145 | CK73HXR1C105K | C CAPACITOR | 1uF 16V K | 1 | |
| | C146 | CK73HXR1C105K | C CAPACITOR | 1uF 16V K | 1 | |
| | C151 | CE32CB1C100M | E CAPACITOR | 10uF 16V M | 1 | |
| | C152 | CE32CB1C100M | E CAPACITOR | 10uF 16V M | 1 | |
| | C153 | CK73EXR1E106K | C CAPACITOR | 10uF 25V K | 1 | |
| | C154 | CK73EXR1E106K | C CAPACITOR | 10uF 25V K | 1 | |
| | C155 | CK73EXR1E106K | C CAPACITOR | 10uF 25V K | 1 | |
| | C156 | CK73EXR1E106K | C CAPACITOR | 10uF 25V K | 1 | |

| MODEL | MARK | MODEL | MARK |
|----------|------|----------|------|
| DDX8706S | K2 | DDX8906S | K1 |

| Safe | Symbol No. | Parts No. | Parts Name | Description | QTY | Local |
|------|------------|---------------|-------------|--------------|-----|-------|
| | C171 | CK73JXR1H102K | C CAPACITOR | 1000pF 50V K | 1 | |
| | C172 | CK73JXR1H102K | C CAPACITOR | 1000pF 50V K | 1 | |
| | C173 | CK73JXR1H102K | C CAPACITOR | 1000pF 50V K | 1 | |
| | C174 | CK73JXR1H102K | C CAPACITOR | 1000pF 50V K | 1 | |
| | C175 | CK73JXR1H102K | C CAPACITOR | 1000pF 50V K | 1 | |
| | C176 | CK73JXR1H102K | C CAPACITOR | 1000pF 50V K | 1 | |
| | C177 | CK73JXR1H102K | C CAPACITOR | 1000pF 50V K | 1 | |
| | C191 | CK73EXR1E106K | C CAPACITOR | 10uF 25V K | 1 | |
| | C192 | CK73EXR1E106K | C CAPACITOR | 10uF 25V K | 1 | |
| | C195 | CK73JXR1H102K | C CAPACITOR | 1000pF 50V K | 1 | |
| | C196 | CK73JXR1H102K | C CAPACITOR | 1000pF 50V K | 1 | |
| | C197 | CK73JXR1H102K | C CAPACITOR | 1000pF 50V K | 1 | |
| | C201 | CE32CB1C470M | E CAPACITOR | 47uF 16V M | 1 | |
| | C202 | CK73JXR1H103K | C CAPACITOR | 0.01uF 50V K | 1 | |
| | C203 | CK73JXR1H103K | C CAPACITOR | 0.01uF 50V K | 1 | |
| | C204 | CK73FXR1E106K | C CAPACITOR | 10uF 25V K | 1 | K2 |
| | C205 | CK73HXR1C105K | C CAPACITOR | 1uF 16V K | 1 | |
| | C206 | CK73HXR1C105K | C CAPACITOR | 1uF 16V K | 1 | |
| | C208 | CK73HXR1C105K | C CAPACITOR | 1uF 16V K | 1 | |
| | C211 | CK73HXR1C105K | C CAPACITOR | 1uF 16V K | 1 | |
| | C212 | CK73HXR1C105K | C CAPACITOR | 1uF 16V K | 1 | |
| | C215 | CK73HXR1C105K | C CAPACITOR | 1uF 16V K | 1 | |
| | C216 | CK73HXR1C105K | C CAPACITOR | 1uF 16V K | 1 | |
| | C219 | CK73HXR1C105K | C CAPACITOR | 1uF 16V K | 1 | |
| | C220 | CK73HXR1C105K | C CAPACITOR | 1uF 16V K | 1 | |
| | C223 | CK73HXR1C105K | C CAPACITOR | 1uF 16V K | 1 | |
| | C224 | CK73HXR1C105K | C CAPACITOR | 1uF 16V K | 1 | |
| | C225 | CK73FXR1E106K | C CAPACITOR | 10uF 25V K | 1 | |
| | C227 | CK73HXR1C105K | C CAPACITOR | 1uF 16V K | 1 | |
| | C228 | CK73HXR1C105K | C CAPACITOR | 1uF 16V K | 1 | |
| | C234 | CK73JXR1H103K | C CAPACITOR | 0.01uF 50V K | 1 | |
| | C235 | CK73JXR1H103K | C CAPACITOR | 0.01uF 50V K | 1 | |
| | C236 | CK73JXR1E104K | C CAPACITOR | 0.1uF 25V K | 1 | |
| | C237 | CK73HXR1C105K | C CAPACITOR | 1uF 16V K | 1 | |
| | C238 | CK73HXR1C105K | C CAPACITOR | 1uF 16V K | 1 | |
| | C239 | CK73JXR1E104K | C CAPACITOR | 0.1uF 25V K | 1 | |
| | C241 | CK73FXR1A106K | C CAPACITOR | 10uF 10V K | 1 | |
| | C243 | CC73JCH1H100D | C CAPACITOR | 10pF 50V D | 1 | |
| | C244 | CC73JCH1H100D | C CAPACITOR | 10pF 50V D | 1 | |
| | C264 | CK73JXR1H102K | C CAPACITOR | 1000pF 50V K | 1 | |
| | C265 | CK73JXR1H102K | C CAPACITOR | 1000pF 50V K | 1 | |
| | C266 | CK73JXR1H102K | C CAPACITOR | 1000pF 50V K | 1 | |
| | C267 | CK73FXR1E106K | C CAPACITOR | 10uF 25V K | 1 | |
| | C268 | CK73JXR1E104K | C CAPACITOR | 0.1uF 25V K | 1 | |
| | C269 | CK73FXR1E106K | C CAPACITOR | 10uF 25V K | 1 | |
| | C272 | CK73GXR1E225K | C CAPACITOR | 2.2uF 25V K | 1 | |
| | C273 | CK73GXR1E225K | C CAPACITOR | 2.2uF 25V K | 1 | |
| | C274 | CK73FXR1E106K | C CAPACITOR | 10uF 25V K | 1 | |
| | C283 | CK73JXR1H102K | C CAPACITOR | 1000pF 50V K | 1 | |
| | C284 | CK73JXR1H102K | C CAPACITOR | 1000pF 50V K | 1 | |
| | C285 | CK73JXR1H102K | C CAPACITOR | 1000pF 50V K | 1 | |
| | C301 | CK73GXR1E225K | C CAPACITOR | 2.2uF 25V K | 1 | |
| | C302 | CK73JXR1A104K | C CAPACITOR | 0.1uF 10V K | 1 | |
| | C303 | CK73JXR1H102K | C CAPACITOR | 1000pF 50V K | 1 | |
| | C304 | CK73JXR1A104K | C CAPACITOR | 0.1uF 10V K | 1 | |
| | C305 | CK73GXR1A106K | C CAPACITOR | 10uF 10V K | 1 | |
| | C308 | CK73FXR0J106K | C CAPACITOR | 10uF 6.3V K | 1 | |
| | C309 | CK73FXR0J106K | C CAPACITOR | 10uF 6.3V K | 1 | |
| | C310 | CK73JXR1A104K | C CAPACITOR | 0.1uF 10V K | 1 | |
| | C312 | CK73JXR1H103K | C CAPACITOR | 0.01uF 50V K | 1 | |
| | C313 | CK73JXR1A104K | C CAPACITOR | 0.1uF 10V K | 1 | |
| | C316 | CK73JXR1A104K | C CAPACITOR | 0.1uF 10V K | 1 | |
| | C317 | CK73JXR1C224K | C CAPACITOR | 0.22uF 16V K | 1 | |
| | C318 | CC73JCH1E102J | C CAPACITOR | 1000pF 25V J | 1 | |
| | C319 | CK73JXR1A104K | C CAPACITOR | 0.1uF 10V K | 1 | |
| | C323 | CC73HCH1H220J | C CAPACITOR | 22pF 50V J | 1 | |
| | C324 | CC73HCH1H220J | C CAPACITOR | 22pF 50V J | 1 | |
| | C325 | CC73GCH1H151J | C CAPACITOR | 150pF 50V J | 1 | |
| | C328 | CC73JCH1E102J | C CAPACITOR | 1000pF 25V J | 1 | |
| | C329 | CC73JCH1H010C | C CAPACITOR | 1pF 50V C | 1 | |
| | C330 | CC73JCH1H090C | C CAPACITOR | 9pF 50V C | 1 | |
| | C331 | CC73JCH1E102J | C CAPACITOR | 1000pF 25V J | 1 | |
| | C332 | CK73JXR1H152K | C CAPACITOR | 1500pF 50V K | 1 | |
| | C501 | CK73GXR1E225K | C CAPACITOR | 2.2uF 25V K | 1 | |
| | C502 | CK73GXR1E225K | C CAPACITOR | 2.2uF 25V K | 1 | |
| | C503 | CK73FXR1E106K | C CAPACITOR | 10uF 25V K | 1 | |
| | C511 | CK73JXR1A104K | C CAPACITOR | 0.1uF 10V K | 1 | |
| | C512 | CK73JXR1A104K | C CAPACITOR | 0.1uF 10V K | 1 | |
| | C601 | CE32CB1C100M | E CAPACITOR | 10uF 16V M | 1 | |
| | C602 | CE32CB1C100M | E CAPACITOR | 10uF 16V M | 1 | |
| | C603 | CK73EXR1E106K | C CAPACITOR | 10uF 25V K | 1 | |
| | C604 | CK73EXR1E106K | C CAPACITOR | 10uF 25V K | 1 | |
| | C605 | CK73EXR1E106K | C CAPACITOR | 10uF 25V K | 1 | |
| | C606 | CK73EXR1E106K | C CAPACITOR | 10uF 25V K | 1 | |
| | C610 | CK73FXR1E106K | C CAPACITOR | 10uF 25V K | 1 | |
| | C611 | CK73JXR1H103K | C CAPACITOR | 0.01uF 50V K | 1 | |
| | C612 | CK73HXR1C105K | C CAPACITOR | 1uF 16V K | 1 | |
| | C613 | CK73HXR1C105K | C CAPACITOR | 1uF 16V K | 1 | |
| | C614 | CK73HXR1C105K | C CAPACITOR | 1uF 16V K | 1 | |
| | C616 | CK73HXR1C105K | C CAPACITOR | 1uF 16V K | 1 | |
| | C618 | CK73HXR1C105K | C CAPACITOR | 1uF 16V K | 1 | |
| | C619 | CK73JXR1H102K | C CAPACITOR | 1000pF 50V K | 1 | |
| | C711 | CK73GXR1C475K | C CAPACITOR | 4.7uF 16V K | 1 | K2 |

| MODEL | MARK | MODEL | MARK |
|----------|------|----------|------|
| DDX8706S | K2 | DDX8906S | K1 |

| Safe | Symbol No. | Parts No. | Parts Name | Description | QTY | Local |
|------|------------|---------------|-------------|---------------|-----|-------|
| | C712 | CK73GXR1C475K | C CAPACITOR | 4.7uF 16V K | 1 | K2 |
| | C713 | CK73GXR1C475K | C CAPACITOR | 4.7uF 16V K | 1 | K2 |
| | C714 | CK73GXR1C475K | C CAPACITOR | 4.7uF 16V K | 1 | K2 |
| | C715 | CK73GXR1C475K | C CAPACITOR | 4.7uF 16V K | 1 | |
| | C716 | CK73GXR1C475K | C CAPACITOR | 4.7uF 16V K | 1 | |
| | C721 | CK73GXR1C475K | C CAPACITOR | 4.7uF 16V K | 1 | |
| | C722 | CK73GXR1C475K | C CAPACITOR | 4.7uF 16V K | 1 | |
| | C781 | CE32BJ1C101M | E CAPACITOR | 100uF 16V M | 1 | |
| | C782 | CK73JXR1E104K | C CAPACITOR | 0.1uF 25V K | 1 | |
| | C783 | CK73JXR1E104K | C CAPACITOR | 0.1uF 25V K | 1 | |
| | C790 | CK73EXR1H106K | C CAPACITOR | 10uF 50V K | 1 | |
| | C791 | CK73FXR1E106K | C CAPACITOR | 10uF 25V K | 1 | |
| | C792 | CK73FXR1E106K | C CAPACITOR | 10uF 25V K | 1 | |
| | C851 | CK73JXR1H472K | C CAPACITOR | 4700pF 50V K | 1 | |
| | C852 | CK73JXR1H472K | C CAPACITOR | 4700pF 50V K | 1 | |
| | C853 | CK73FXR0J226M | C CAPACITOR | 22uF 6.3V M | 1 | |
| | C854 | CK73JXR1H103K | C CAPACITOR | 0.01uF 50V K | 1 | |
| | C855 | CK73JXR1H103K | C CAPACITOR | 0.01uF 50V K | 1 | |
| | C856 | CK73JXR1H103K | C CAPACITOR | 0.01uF 50V K | 1 | |
| | C1204 | CB73QAD1C106M | F CAPACITOR | 10uF 16V M | 1 | K1 |
| | C1711 | CB73QAD1C106M | F CAPACITOR | 10uF 16V M | 1 | K1 |
| | C1712 | CB73QAD1C106M | F CAPACITOR | 10uF 16V M | 1 | K1 |
| | C1713 | CB73QAD1C106M | F CAPACITOR | 10uF 16V M | 1 | K1 |
| | C1714 | CB73QAD1C106M | F CAPACITOR | 10uF 16V M | 1 | K1 |
| | R11 | RK73HB1J000J | MG RESISTOR | 0Ω 1/16W J | 1 | |
| | R12 | RK73HH1J434D | MG RESISTOR | 430kΩ 1/16W D | 1 | |
| | R13 | RK73HB1J102J | MG RESISTOR | 1kΩ 1/16W J | 1 | |
| | R15 | RK73HH1J273D | MG RESISTOR | 27kΩ 1/16W D | 1 | |
| | R17 | RK73HH1J472D | MG RESISTOR | 4.7kΩ 1/16W D | 1 | |
| | R18 | RK73HB1J101J | MG RESISTOR | 100Ω 1/16W J | 1 | |
| | R19 | RK73HB1J101J | MG RESISTOR | 100Ω 1/16W J | 1 | |
| | R23 | RK73FB2B000J | MG RESISTOR | 0Ω 1/8W J | 1 | |
| | R24 | RK73FB2B000J | MG RESISTOR | 0Ω 1/8W J | 1 | |
| | R25 | RK73FB2B000J | MG RESISTOR | 0Ω 1/8W J | 1 | |
| | R27 | RK73FB2B000J | MG RESISTOR | 0Ω 1/8W J | 1 | |
| | R30 | RK73HB1J473J | MG RESISTOR | 47kΩ 1/16W J | 1 | |
| | R31 | RK73EB2E622J | MG RESISTOR | 6.2kΩ 1/4W J | 1 | |
| | R32 | RK73EB2E622J | MG RESISTOR | 6.2kΩ 1/4W J | 1 | |
| | R33 | RK73HB1J113J | MG RESISTOR | 11kΩ 1/16W J | 1 | |
| | R34 | RK73HH1J104D | MG RESISTOR | 100kΩ 1/16W D | 1 | |
| | R35 | RK73HH1J563D | MG RESISTOR | 56kΩ 1/16W D | 1 | |
| | R36 | RK73HH1J474D | MG RESISTOR | 470kΩ 1/16W D | 1 | |
| | R37 | RK73EB2E153J | MG RESISTOR | 15kΩ 1/4W J | 1 | |
| | R38 | RK73GH2A333D | MG RESISTOR | 33kΩ 1/10W D | 1 | |
| | R39 | RK73HB1J273J | MG RESISTOR | 27kΩ 1/16W J | 1 | |
| | R41 | RK73FB2B472J | MG RESISTOR | 4.7kΩ 1/8W J | 1 | |
| | R42 | RK73FB2B472J | MG RESISTOR | 4.7kΩ 1/8W J | 1 | |
| | R50 | RK73HB1J223J | MG RESISTOR | 22kΩ 1/16W J | 1 | |
| | R51 | RK73GB2A472J | MG RESISTOR | 4.7kΩ 1/10W J | 1 | |
| | R52 | RK73GB2A472J | MG RESISTOR | 4.7kΩ 1/10W J | 1 | |
| | R53 | RK73GB2A223J | MG RESISTOR | 22kΩ 1/10W J | 1 | |
| | R54 | RK73HB1J333J | MG RESISTOR | 33kΩ 1/16W J | 1 | |
| | R55 | RK73GB2A152J | MG RESISTOR | 1.5kΩ 1/10W J | 1 | |
| | R60 | RK73HB1J182J | MG RESISTOR | 1.8kΩ 1/16W J | 1 | |
| | R61 | RK73GB2A111J | MG RESISTOR | 110Ω 1/10W J | 1 | |
| | R62 | RK73HB1J103J | MG RESISTOR | 10kΩ 1/16W J | 1 | |
| | R63 | RK73HB1J243J | MG RESISTOR | 24kΩ 1/16W J | 1 | |
| | R64 | RK73HB1J472J | MG RESISTOR | 4.7kΩ 1/16W J | 1 | |
| | R65 | RK73HB1J472J | MG RESISTOR | 4.7kΩ 1/16W J | 1 | |
| | R66 | RK73HB1J103J | MG RESISTOR | 10kΩ 1/16W J | 1 | |
| | R67 | RK73HB1J473J | MG RESISTOR | 47kΩ 1/16W J | 1 | |
| | R68 | RK73HB1J223J | MG RESISTOR | 22kΩ 1/16W J | 1 | |
| | R69 | RK73HB1J472J | MG RESISTOR | 4.7kΩ 1/16W J | 1 | |
| | R70 | RK73HB1J473J | MG RESISTOR | 47kΩ 1/16W J | 1 | |
| | R72 | RK73HB1J123J | MG RESISTOR | 12kΩ 1/16W J | 1 | |
| | R73 | RK73HB1J683J | MG RESISTOR | 68kΩ 1/16W J | 1 | |
| | R74 | RK73HB1J103J | MG RESISTOR | 10kΩ 1/16W J | 1 | |
| | R80 | RK73HB1J471J | MG RESISTOR | 470Ω 1/16W J | 1 | |
| | R81 | RK73HB1J473J | MG RESISTOR | 47kΩ 1/16W J | 1 | |
| | R82 | RK73FB2B103J | MG RESISTOR | 10kΩ 1/8W J | 1 | |
| | R83 | RK73HB1J223J | MG RESISTOR | 22kΩ 1/16W J | 1 | |
| | R84 | RK73HB1J473J | MG RESISTOR | 47kΩ 1/16W J | 1 | |
| | R85 | RK73HB1J000J | MG RESISTOR | 0Ω 1/16W J | 1 | |
| | R90 | RK73GB2A272J | MG RESISTOR | 2.7kΩ 1/10W J | 1 | |
| | R91 | RK73HB1J102J | MG RESISTOR | 1kΩ 1/16W J | 1 | |
| | R96 | RK73FB2B752J | MG RESISTOR | 7.5kΩ 1/8W J | 1 | |
| | R97 | RK73HB1J753J | MG RESISTOR | 75kΩ 1/16W J | 1 | |
| | R100 | RK73HB1J473J | MG RESISTOR | 47kΩ 1/16W J | 1 | |
| | R101 | RK73HB1J000J | MG RESISTOR | 0Ω 1/16W J | 1 | K2 |
| | R101 | RK73HH1J680D | MG RESISTOR | 68Ω 1/16W D | 1 | K1 |
| | R102 | RK73HB1J000J | MG RESISTOR | 0Ω 1/16W J | 1 | K2 |
| | R102 | RK73HH1J680D | MG RESISTOR | 68Ω 1/16W D | 1 | K1 |
| | R103 | RK73HB1J000J | MG RESISTOR | 0Ω 1/16W J | 1 | K2 |
| | R103 | RK73HH1J680D | MG RESISTOR | 68Ω 1/16W D | 1 | K1 |
| | R104 | RK73HB1J000J | MG RESISTOR | 0Ω 1/16W J | 1 | K2 |
| | R104 | RK73HH1J680D | MG RESISTOR | 68Ω 1/16W D | 1 | K1 |
| | R115 | RK73HB1J101J | MG RESISTOR | 100Ω 1/16W J | 1 | |
| | R140 | RK73HB1J473J | MG RESISTOR | 47kΩ 1/16W J | 1 | |
| | R142 | RK73HB1J331J | MG RESISTOR | 330Ω 1/16W J | 1 | |
| | R143 | RK73HB1J223J | MG RESISTOR | 22kΩ 1/16W J | 1 | |
| | R144 | RK73HB1J751J | MG RESISTOR | 750Ω 1/16W J | 1 | K2 |
| | R144 | RK73HB1J432J | MG RESISTOR | 4.3kΩ 1/16W J | 1 | K1 |

| MODEL | MARK | MODEL | MARK |
|----------|------|----------|------|
| DDX8706S | K2 | DDX8906S | K1 |

| Safe | Symbol No. | Parts No. | Parts Name | Description | QTY | Local |
|------|------------|--------------|-------------|---------------|-----|-------|
| | R145 | RK73HB1J333J | MG RESISTOR | 33kΩ 1/16W J | 1 | |
| | R146 | RK73HB1J3R0J | MG RESISTOR | 3.0Ω 1/16W J | 1 | K2 |
| | R146 | RK73HB1J1R0J | MG RESISTOR | 1.0Ω 1/16W J | 1 | K1 |
| | R147 | RK73HB1J000J | MG RESISTOR | 0Ω 1/16W J | 1 | |
| | R148 | RK73HB1J000J | MG RESISTOR | 0Ω 1/16W J | 1 | |
| | R151 | RK73HB1J471J | MG RESISTOR | 470Ω 1/16W J | 1 | |
| | R152 | RK73HB1J471J | MG RESISTOR | 470Ω 1/16W J | 1 | |
| | R153 | RK73HB1J471J | MG RESISTOR | 470Ω 1/16W J | 1 | |
| | R154 | RK73HB1J471J | MG RESISTOR | 470Ω 1/16W J | 1 | |
| | R155 | RK73HB1J471J | MG RESISTOR | 470Ω 1/16W J | 1 | |
| | R156 | RK73HB1J471J | MG RESISTOR | 470Ω 1/16W J | 1 | |
| | R159 | RK73HB1J473J | MG RESISTOR | 47kΩ 1/16W J | 1 | |
| | R161 | RK73HB1J223J | MG RESISTOR | 22kΩ 1/16W J | 1 | |
| | R162 | RK73HB1J223J | MG RESISTOR | 22kΩ 1/16W J | 1 | |
| | R163 | RK73HB1J223J | MG RESISTOR | 22kΩ 1/16W J | 1 | |
| | R164 | RK73HB1J223J | MG RESISTOR | 22kΩ 1/16W J | 1 | |
| | R165 | RK73HB1J223J | MG RESISTOR | 22kΩ 1/16W J | 1 | |
| | R166 | RK73HB1J223J | MG RESISTOR | 22kΩ 1/16W J | 1 | |
| | R171 | RK73GB2A101J | MG RESISTOR | 100Ω 1/10W J | 1 | |
| | R172 | RK73GB2A101J | MG RESISTOR | 100Ω 1/10W J | 1 | |
| | R173 | RK73GB2A101J | MG RESISTOR | 100Ω 1/10W J | 1 | |
| | R174 | RK73GB2A101J | MG RESISTOR | 100Ω 1/10W J | 1 | |
| | R175 | RK73GB2A101J | MG RESISTOR | 100Ω 1/10W J | 1 | |
| | R191 | RK73HB1J471J | MG RESISTOR | 470Ω 1/16W J | 1 | |
| | R192 | RK73HB1J471J | MG RESISTOR | 470Ω 1/16W J | 1 | |
| | R193 | RK73HB1J223J | MG RESISTOR | 22kΩ 1/16W J | 1 | |
| | R194 | RK73HB1J223J | MG RESISTOR | 22kΩ 1/16W J | 1 | |
| | R195 | RK73GB2A101J | MG RESISTOR | 100Ω 1/10W J | 1 | |
| | R196 | RK73GB2A101J | MG RESISTOR | 100Ω 1/10W J | 1 | |
| | R201 | RK73GB2A2R2J | MG RESISTOR | 2.2Ω 1/10W J | 1 | |
| | R202 | RK73HB1J102J | MG RESISTOR | 1kΩ 1/16W J | 1 | |
| | R204 | RK73HB1J103J | MG RESISTOR | 10kΩ 1/16W J | 1 | |
| | R205 | RK73HB1J101J | MG RESISTOR | 100Ω 1/16W J | 1 | |
| | R206 | RK73HB1J101J | MG RESISTOR | 100Ω 1/16W J | 1 | |
| | R211 | RK73HH1J104D | MG RESISTOR | 100kΩ 1/16W D | 1 | |
| | R212 | RK73HH1J104D | MG RESISTOR | 100kΩ 1/16W D | 1 | |
| | R213 | RK73HH1J303D | MG RESISTOR | 30kΩ 1/16W D | 1 | |
| | R214 | RK73HH1J303D | MG RESISTOR | 30kΩ 1/16W D | 1 | |
| | R215 | RK73HH1J103D | MG RESISTOR | 10kΩ 1/16W D | 1 | |
| | R216 | RK73HH1J103D | MG RESISTOR | 10kΩ 1/16W D | 1 | |
| | R217 | RK73HH1J392D | MG RESISTOR | 3.9kΩ 1/16W D | 1 | |
| | R218 | RK73HH1J103D | MG RESISTOR | 10kΩ 1/16W D | 1 | |
| | R219 | RK73HH1J103D | MG RESISTOR | 10kΩ 1/16W D | 1 | |
| | R220 | RK73HB1J101J | MG RESISTOR | 100Ω 1/16W J | 1 | |
| | R272 | RK73HH1J103D | MG RESISTOR | 10kΩ 1/16W D | 1 | |
| | R273 | RK73HH1J103D | MG RESISTOR | 10kΩ 1/16W D | 1 | |
| | R274 | RK73HH1J393D | MG RESISTOR | 39kΩ 1/16W D | 1 | |
| | R275 | RK73HH1J393D | MG RESISTOR | 39kΩ 1/16W D | 1 | |
| | R276 | RK73HH1J473D | MG RESISTOR | 47kΩ 1/16W D | 1 | |
| | R277 | RK73HH1J473D | MG RESISTOR | 47kΩ 1/16W D | 1 | |
| | R278 | RK73HH1J473D | MG RESISTOR | 47kΩ 1/16W D | 1 | |
| | R279 | RK73HH1J393D | MG RESISTOR | 39kΩ 1/16W D | 1 | |
| | R280 | RK73HH1J393D | MG RESISTOR | 39kΩ 1/16W D | 1 | |
| | R281 | RK73HH1J393D | MG RESISTOR | 39kΩ 1/16W D | 1 | |
| | R282 | RK73HH1J393D | MG RESISTOR | 39kΩ 1/16W D | 1 | |
| | R283 | RK73HH1J473D | MG RESISTOR | 47kΩ 1/16W D | 1 | |
| | R284 | RK73HH1J473D | MG RESISTOR | 47kΩ 1/16W D | 1 | |
| | R285 | RK73HH1J473D | MG RESISTOR | 47kΩ 1/16W D | 1 | |
| | R286 | RK73HH1J393D | MG RESISTOR | 39kΩ 1/16W D | 1 | |
| | R287 | RK73HH1J393D | MG RESISTOR | 39kΩ 1/16W D | 1 | |
| | R289 | RK73HH1J473D | MG RESISTOR | 47kΩ 1/16W D | 1 | |
| | R290 | RK73HH1J473D | MG RESISTOR | 47kΩ 1/16W D | 1 | |
| | R291 | RK73HB1J101J | MG RESISTOR | 100Ω 1/16W J | 1 | |
| | R292 | RK73HB1J101J | MG RESISTOR | 100Ω 1/16W J | 1 | |
| | R293 | RK73GB2A2R2J | MG RESISTOR | 2.2Ω 1/10W J | 1 | |
| | R294 | RK73HB1J473J | MG RESISTOR | 47kΩ 1/16W J | 1 | |
| | R301 | RK73HB1J473J | MG RESISTOR | 47kΩ 1/16W J | 1 | |
| | R302 | RK73GB2A000J | MG RESISTOR | 0Ω 1/10W J | 1 | |
| | R303 | RK73GB2A102J | MG RESISTOR | 1kΩ 1/10W J | 1 | |
| | R304 | RK73HB1J000J | MG RESISTOR | 0Ω 1/16W J | 1 | |
| | R305 | RK73HB1J000J | MG RESISTOR | 0Ω 1/16W J | 1 | |
| | R306 | RK73HB1J000J | MG RESISTOR | 0Ω 1/16W J | 1 | |
| | R307 | RK73HB1J101J | MG RESISTOR | 100Ω 1/16W J | 1 | |
| | R308 | RK73HB1J101J | MG RESISTOR | 100Ω 1/16W J | 1 | |
| | R316 | RK73GB2A105J | MG RESISTOR | 1MΩ 1/10W J | 1 | |
| | R317 | RK73GB2A105J | MG RESISTOR | 1MΩ 1/10W J | 1 | |
| | R318 | RK73GB2A820J | MG RESISTOR | 82Ω 1/10W J | 1 | |
| | R319 | RK73GB2A000J | MG RESISTOR | 0Ω 1/10W J | 1 | |
| | R320 | RK73GB2A000J | MG RESISTOR | 0Ω 1/10W J | 1 | |
| | R325 | RK73HB1J000J | MG RESISTOR | 0Ω 1/16W J | 1 | K1 |
| | R326 | RK73HB1J000J | MG RESISTOR | 0Ω 1/16W J | 1 | K1 |
| | R327 | RK73HB1J000J | MG RESISTOR | 0Ω 1/16W J | 1 | K1 |
| | R328 | RK73HB1J000J | MG RESISTOR | 0Ω 1/16W J | 1 | K1 |
| | R500 | RK73EB2E000J | MG RESISTOR | 0Ω 1/4W J | 1 | |
| | R501 | RK73GB2A100J | MG RESISTOR | 10Ω 1/10W J | 1 | |
| | R502 | RK73GB2A100J | MG RESISTOR | 10Ω 1/10W J | 1 | |
| | R503 | RK73GB2A100J | MG RESISTOR | 10Ω 1/10W J | 1 | |
| | R511 | RK73GB2A101J | MG RESISTOR | 100Ω 1/10W J | 1 | |
| | R512 | RK73GB2A101J | MG RESISTOR | 100Ω 1/10W J | 1 | |
| | R513 | RK73GB2A101J | MG RESISTOR | 100Ω 1/10W J | 1 | |
| | R514 | RK73HB1J2R2J | MG RESISTOR | 2.2Ω 1/16W J | 1 | |
| | R515 | RK73HB1J272J | MG RESISTOR | 2.7kΩ 1/16W J | 1 | |
| | R516 | RK73HB1J473J | MG RESISTOR | 47kΩ 1/16W J | 1 | |

| | | | |
|----------|------|----------|------|
| MODEL | MARK | MODEL | MARK |
| DDX8706S | K2 | DDX8906S | K1 |

| Safe | Symbol No. | Parts No. | Parts Name | Description | QTY | Local |
|------|------------|---------------|-----------------|---------------|-----|-------|
| | R517 | RK73HB1J272J | MG RESISTOR | 2.7kΩ 1/16W J | 1 | |
| | R581 | RK73HB1J100J | MG RESISTOR | 10Ω 1/16W J | 1 | |
| | R582 | RK73HB1J100J | MG RESISTOR | 10Ω 1/16W J | 1 | |
| | R583 | RK73HB1J100J | MG RESISTOR | 10Ω 1/16W J | 1 | |
| | R611 | RK73GB2A2R2J | MG RESISTOR | 2.2Ω 1/10W J | 1 | |
| | R612 | RK73HB1J103J | MG RESISTOR | 10kΩ 1/16W J | 1 | |
| | R614 | RK73HB1J102J | MG RESISTOR | 1kΩ 1/16W J | 1 | |
| | R615 | RK73HB1J100J | MG RESISTOR | 10Ω 1/16W J | 1 | |
| | R616 | RK73HB1J684J | MG RESISTOR | 680kΩ 1/16W J | 1 | |
| | R716 | RK73GB2A101J | MG RESISTOR | 100Ω 1/10W J | 1 | |
| | R782 | RK73HB1J222J | MG RESISTOR | 2.2kΩ 1/16W J | 1 | |
| | R787 | RK73HB1J105J | MG RESISTOR | 1MΩ 1/16W J | 1 | |
| | R792 | RK73HH1J393D | MG RESISTOR | 39kΩ 1/16W D | 1 | |
| | R793 | RK73HH1J622D | MG RESISTOR | 6.2kΩ 1/16W D | 1 | |
| | R794 | RK73HH1J123D | MG RESISTOR | 12kΩ 1/16W D | 1 | |
| | R795 | RK73HB1J101J | MG RESISTOR | 100Ω 1/16W J | 1 | |
| | R796 | RK73HH1J103D | MG RESISTOR | 10kΩ 1/16W D | 1 | |
| | R797 | RK73HB1J472J | MG RESISTOR | 4.7kΩ 1/16W J | 1 | |
| | R851 | RK73GB2A103J | MG RESISTOR | 10kΩ 1/10W J | 1 | |
| | R852 | RK73GB2A103J | MG RESISTOR | 10kΩ 1/10W J | 1 | |
| | R853 | RK73HB1J563J | MG RESISTOR | 56kΩ 1/16W J | 1 | |
| | R854 | RK73HB1J563J | MG RESISTOR | 56kΩ 1/16W J | 1 | |
| | R855 | RK73HB1J222J | MG RESISTOR | 2.2kΩ 1/16W J | 1 | |
| | R856 | RK73HB1J182J | MG RESISTOR | 1.8kΩ 1/16W J | 1 | |
| | R857 | RK73HB1J101J | MG RESISTOR | 100Ω 1/16W J | 1 | |
| | R858 | RK73HB1J393J | MG RESISTOR | 39kΩ 1/16W J | 1 | |
| | R859 | RK73HB1J224J | MG RESISTOR | 220kΩ 1/16W J | 1 | |
| | R860 | RK73HB1J105J | MG RESISTOR | 1MΩ 1/16W J | 1 | |
| | R861 | RK73HB1J472J | MG RESISTOR | 4.7kΩ 1/16W J | 1 | |
| | R862 | RK73HB1J472J | MG RESISTOR | 4.7kΩ 1/16W J | 1 | |
| | R863 | RK73HB1J101J | MG RESISTOR | 100Ω 1/16W J | 1 | |
| | R864 | RK73HB1J101J | MG RESISTOR | 100Ω 1/16W J | 1 | |
| | R1101 | RK73HH1J680D | MG RESISTOR | 68Ω 1/16W D | 1 | |
| | R1102 | RK73HH1J680D | MG RESISTOR | 68Ω 1/16W D | 1 | |
| | R1103 | RK73HH1J680D | MG RESISTOR | 68Ω 1/16W D | 1 | |
| | R1104 | RK73HH1J680D | MG RESISTOR | 68Ω 1/16W D | 1 | |
| | R1111 | RK73HB1J120J | MG RESISTOR | 12Ω 1/16W J | 1 | K2 |
| | R1112 | RK73HB1J120J | MG RESISTOR | 12Ω 1/16W J | 1 | K2 |
| | R1113 | RK73HB1J120J | MG RESISTOR | 12Ω 1/16W J | 1 | K2 |
| | R1114 | RK73HB1J120J | MG RESISTOR | 12Ω 1/16W J | 1 | K2 |
| | R1146 | RK73HB1J000J | MG RESISTOR | 0Ω 1/16W J | 1 | K2 |
| | R1146 | RK73HH1J160D | MG RESISTOR | 16Ω 1/16W D | 1 | K1 |
| | L1 | L3D-0053-00 | CHOKE COIL | | 1 | |
| | L302 | LR73Z0AD4R7M | CHIP INDUCTOR | | 1 | |
| | L303 | LK73G0BER15K | M.CHIP INDUCTOR | | 1 | |
| | L304 | L3B-0005-00 | FM-RF COIL | | 1 | |
| | L305 | LK73G0BE1R0K | M.CHIP INDUCTOR | | 1 | |
| | L306 | LK73G0BER10K | M.CHIP INDUCTOR | | 1 | |
| | L307 | LK73G0BER47K | M.CHIP INDUCTOR | | 1 | |
| | L308 | LK73G0BE4R7K | M.CHIP INDUCTOR | | 1 | |
| | L601 | LK73G0AQ1R0K | M.CHIP INDUCTOR | | 1 | |
| | CN201 | EC720AA-0560A | FFC FPC CONNE | | 1 | |
| | CN301 | EC720AA-0550A | FFC FPC CONNE | | 1 | |
| | CN302 | EA110AP-2004A | W TO B CONNE | | 1 | |
| | CN781 | EA720AM-1205A | W TO B CONNE | | 1 | |
| △ | F6 | F53-0513-08 | PATTERN FUSE | 4A | 1 | |
| △ | F7 | F53-0513-08 | PATTERN FUSE | 4A | 1 | |
| △ | F171 | F53-0513-08 | PATTERN FUSE | 4A | 1 | |
| △ | F191 | F53-0513-08 | PATTERN FUSE | 4A | 1 | |
| △ | F581 | F53-0513-08 | PATTERN FUSE | 4A | 1 | |
| | J1 | E5J-0022-00 | R.RECEPTACLE | | 1 | |
| | J151 | E6D-0025-00 | PIN JACK | | 1 | K2 |
| | J151 | E6D-0027-00 | PIN JACK | | 1 | K1 |
| | J191 | E1B-0041-00 | 3.5D PHONE JACK | | 1 | |
| | J501 | E5G-0029-00 | CYL.RECEPTACLE | | 1 | |
| | J581 | E1B-0041-00 | 3.5D PHONE JACK | | 1 | |
| | VA52 | SDV1005E18//2 | VARIATOR | | 1 | |
| | VA55 | SDV1005E18//2 | VARIATOR | | 1 | |
| | VA60 | SDV1005E18//2 | VARIATOR | | 1 | |
| | VA72 | SDV1005E18//2 | VARIATOR | | 1 | |
| | VA74 | SDV1005E18//2 | VARIATOR | | 1 | |
| | VA75 | SDV1005E18//2 | VARIATOR | | 1 | |
| | VA96 | SDV1005E18//2 | VARIATOR | | 1 | |
| | VA171 | SDV1005A14//0 | VARIATOR | | 1 | |
| | VA172 | SDV1005A14//0 | VARIATOR | | 1 | |
| | VA173 | SDV1005A14//0 | VARIATOR | | 1 | |
| | VA174 | SDV1005A14//0 | VARIATOR | | 1 | |
| | VA175 | SDV1005A14//0 | VARIATOR | | 1 | |
| | VA176 | SDV1005A14//0 | VARIATOR | | 1 | |
| | VA177 | SDV1005A14//0 | VARIATOR | | 1 | |
| | VA195 | SDV1005A14//0 | VARIATOR | | 1 | |
| | VA196 | SDV1005A14//0 | VARIATOR | | 1 | |
| | VA197 | SDV1005A14//0 | VARIATOR | | 1 | |
| | VA301 | F0K-0010-00 | SURGE ABSORBER | | 1 | |
| | VA501 | SDV1005A14//0 | VARIATOR | | 1 | |
| | VA502 | SDV1005A14//0 | VARIATOR | | 1 | |
| | VA503 | SDV1005A14//0 | VARIATOR | | 1 | |
| | VA511 | SDV1005E18//2 | VARIATOR | | 1 | |
| | VA512 | SDV1005E18//2 | VARIATOR | | 1 | |
| | VA513 | SDV1005E18//2 | VARIATOR | | 1 | |
| | VA581 | SDV1005A14//0 | VARIATOR | | 1 | |
| | VA582 | SDV1005A14//0 | VARIATOR | | 1 | |

| MODEL | MARK | MODEL | MARK |
|----------|------|----------|------|
| DDX8706S | K2 | DDX8906S | K1 |

| Safe | Symbol No. | Parts No. | Parts Name | Description | QTY | Local |
|---------------------------------------|------------|---------------|-----------------|-----------------|-----|-------|
| | VA583 | SDV1005A14//0 | VARIATOR | | 1 | |
| | VA851 | SDV1005E18//2 | VARIATOR | | 1 | |
| | W301 | E3A-0388-00 | ANTENNA CABLE | | 1 | |
| | X301 | L7J-0014-00 | QUARTZ CRYSTAL | | 1 | |
| OPERATION PWB ASSY(XJ7-042K-00) <XJ7> | | | | | | |
| | IC1 | PICA38603-NV | IR DETECT UNIT | | 1 | |
| | D1 | NSSM124 | LED | | 1 | |
| | D2 | NSSM124 | LED | | 1 | |
| | D3 | NSSM124 | LED | | 1 | |
| | D4 | NSSM124 | LED | | 1 | |
| | C1 | CK73GXR1A105K | C CAPACITOR | 1uF 10V K | 1 | |
| | C2 | CK73HXR1C104K | C CAPACITOR | 0.1uF 16V K | 1 | |
| | R1 | RK73GB2A333J | MG RESISTOR | 33kΩ 1/10W J | 1 | |
| | R2 | RK73GB2A103J | MG RESISTOR | 10kΩ 1/10W J | 1 | |
| | R3 | RK73GB2A472J | MG RESISTOR | 4.7kΩ 1/10W J | 1 | |
| | R4 | RK73GB2A332J | MG RESISTOR | 3.3kΩ 1/10W J | 1 | |
| | R5 | RK73HB1J000J | MG RESISTOR | 0Ω 1/16W J | 1 | |
| | CN1 | EC720AT-0513A | FFC FPC CONNE | | 1 | |
| | S1 | S7A-0001-00 | TACTILE PUSH SW | | 1 | |
| | S2 | S7A-0001-00 | TACTILE PUSH SW | | 1 | |
| | S3 | S7A-0001-00 | TACTILE PUSH SW | | 1 | |
| | S4 | S7A-0001-00 | TACTILE PUSH SW | | 1 | |
| | S5 | S7A-0001-00 | TACTILE PUSH SW | | 1 | |
| | S6 | S7A-0001-00 | TACTILE PUSH SW | | 1 | |
| | S7 | S7A-0001-00 | TACTILE PUSH SW | | 1 | |
| VIDEO PWB ASSY(XJ8-066K-0x) <XJ8> | | | | | | |
| | IC100 | W3F-0466-00 | MCU IC | | 1 | |
| | IC102 | BU4228F | ANALOG IC | | 1 | |
| | IC103 | XC6223B331P-G | ANALOG IC | | 1 | |
| | IC105 | TC7SH32FUJC | MOS IC | | 1 | |
| | IC106 | TC7SH17FUJC | MOS IC | | 1 | |
| | IC200 | LM3481MMXNOPB | ANALOG IC | | 1 | |
| | IC201 | TC7SH17FUJC | MOS IC | | 1 | |
| | IC202 | XC6213B332N-G | MOS IC | | 1 | |
| | IC300 | NJM11100F1 | ANALOG IC | | 1 | |
| | IC301 | XC6701BF02M-G | ANALOG IC | | 1 | |
| | IC302 | XC6901DA01M-G | ANALOG IC | | 1 | |
| | IC502 | ----- | MOS IC | NO SERVICE PART | 1 | K1 |
| | IC503 | XC6223B331P-G | ANALOG IC | | 1 | K1 |
| | Q100 | LTC014YEBFS8 | DIGI TRANSISTOR | | 1 | |
| | Q101 | LTC014YEBFS8 | DIGI TRANSISTOR | | 1 | |
| | Q200 | LTA043ZEBFS8 | DIGI TRANSISTOR | | 1 | |
| | Q201 | LSAR523UBFS8 | TRANSISTOR | | 1 | |
| | Q202 | RTQ035N03 | FET | | 1 | |
| | Q203 | LSAR523UBFS8 | TRANSISTOR | | 1 | |
| | Q204 | LSCR523UBFS8 | TRANSISTOR | | 1 | |
| | Q205 | LSCR523UBFS8 | TRANSISTOR | | 1 | |
| | Q206 | LSCR523UBFS8 | TRANSISTOR | | 1 | |
| | Q207 | LSAR523UBFS8 | TRANSISTOR | | 1 | |
| | Q208 | LSCR523UBFS8 | TRANSISTOR | | 1 | |
| | Q209 | LSCR523UBFS8 | TRANSISTOR | | 1 | |
| | Q210 | LSCR523UBFS8 | TRANSISTOR | | 1 | |
| | Q211 | LSCR523UBFS8 | TRANSISTOR | | 1 | |
| | Q212 | LSCR523UBFS8 | TRANSISTOR | | 1 | |
| | Q213 | LTC043ZEBFS8 | DIGI TRANSISTOR | | 1 | |
| | Q214 | LTC043ZEBFS8 | DIGI TRANSISTOR | | 1 | |
| | Q300 | LSCR523UBFS8 | TRANSISTOR | | 1 | |
| | Q303 | LTA014YEBFS8 | DIGI TRANSISTOR | | 1 | |
| | Q304 | LTA044EEBFS8 | DIGI TRANSISTOR | | 1 | |
| | Q305 | LTC014YEBFS8 | DIGI TRANSISTOR | | 1 | |
| | Q306 | LTC014EEBFS8 | DIGI TRANSISTOR | | 1 | |
| | Q307 | LSAR523UBFS8 | TRANSISTOR | | 1 | |
| | Q308 | LSCR523UBFS8 | TRANSISTOR | | 1 | |
| | Q310 | LTA014YEBFS8 | DIGI TRANSISTOR | | 1 | |
| | Q311 | LTC014EEBFS8 | DIGI TRANSISTOR | | 1 | |
| | Q312 | LSCR523UBFS8 | TRANSISTOR | | 1 | |
| | Q313 | LSCR523UBFS8 | TRANSISTOR | | 1 | |
| | Q400 | LSCR523UBFS8 | TRANSISTOR | | 1 | |
| | Q401 | LSAR523UBFS8 | TRANSISTOR | | 1 | |
| | Q402 | LTC014YEBFS8 | DIGI TRANSISTOR | | 1 | |
| | Q403 | LTC014YEBFS8 | DIGI TRANSISTOR | | 1 | |
| | Q404 | LTC014YEBFS8 | DIGI TRANSISTOR | | 1 | |
| | Q500 | 2SC5585 | TRANSISTOR | | 1 | K2 |
| | Q501 | 2SC5585 | TRANSISTOR | | 1 | K2 |
| | Q502 | 2SA2018 | TRANSISTOR | | 1 | K2 |
| | Q503 | 2SA2018 | TRANSISTOR | | 1 | K2 |
| | Q504 | LTA014YEBFS8 | DIGI TRANSISTOR | | 1 | K2 |
| | Q505 | LSCR523UBFS8 | TRANSISTOR | | 1 | K2 |
| | Q506 | LSCR523UBFS8 | TRANSISTOR | | 1 | K2 |
| | Q600 | LSCR523UBFS8 | TRANSISTOR | | 1 | |
| | Q601 | LSCR523UBFS8 | TRANSISTOR | | 1 | |
| | Q602 | LSCR523UBFS8 | TRANSISTOR | | 1 | |
| | D100 | RB521S-30 | SCHOTTKY DIODE | | 1 | |
| | D200 | SJPB-L4 | SCHOTTKY DIODE | | 1 | |
| | D201 | DA2J101 | DIODE | | 1 | |
| | D202 | DA2J101 | DIODE | | 1 | |
| | D705 | DAN217WM | DIODE | | 1 | |
| | C100 | CC73JCH1H221J | C CAPACITOR | 220pF 50V J | 1 | |
| | C101 | CC73JCH1H101J | C CAPACITOR | 100pF 50V J | 1 | |
| | C102 | CC73JCH1H101J | C CAPACITOR | 100pF 50V J | 1 | |
| | C103 | CC73JCH1H101J | C CAPACITOR | 100pF 50V J | 1 | |
| | C104 | CC73JCH1H101J | C CAPACITOR | 100pF 50V J | 1 | |
| | C105 | CC73JCH1H221J | C CAPACITOR | 220pF 50V J | 1 | |

| | | | |
|----------|------|----------|------|
| MODEL | MARK | MODEL | MARK |
| DDX8706S | K2 | DDX8906S | K1 |

| Safe | Symbol No. | Parts No. | Parts Name | Description | QTY | Local |
|------|------------|---------------|-------------|---------------|-----|-------|
| | C106 | CK73JXR1C473K | C CAPACITOR | 0.047uF 16V K | 1 | |
| | C107 | CK73JXR1A104K | C CAPACITOR | 0.1uF 10V K | 1 | |
| | C108 | CK73HXR1A104K | C CAPACITOR | 0.1uF 10V K | 1 | |
| | C109 | CK73JXR1A104K | C CAPACITOR | 0.1uF 10V K | 1 | |
| | C111 | CK73HXR1C105K | C CAPACITOR | 1uF 16V K | 1 | |
| | C112 | CK73HXR1C105K | C CAPACITOR | 1uF 16V K | 1 | |
| | C113 | CK73HXR1C105K | C CAPACITOR | 1uF 16V K | 1 | |
| | C114 | CK73EXR1E106K | C CAPACITOR | 10uF 25V K | 1 | |
| | C115 | CK73HXR1C105K | C CAPACITOR | 1uF 16V K | 1 | |
| | C116 | CK73JXR1A104K | C CAPACITOR | 0.1uF 10V K | 1 | |
| | C117 | CK73JXR1A104K | C CAPACITOR | 0.1uF 10V K | 1 | |
| | C119 | CK73JXR1H472K | C CAPACITOR | 4700pF 50V K | 1 | |
| | C120 | CK73HXR1H102K | C CAPACITOR | 1000pF 50V K | 1 | |
| | C121 | CK73HXR1C105K | C CAPACITOR | 1uF 16V K | 1 | |
| | C123 | CC73JCH1H101J | C CAPACITOR | 100pF 50V J | 1 | K2 |
| | C124 | CC73JCH1H101J | C CAPACITOR | 100pF 50V J | 1 | K2 |
| | C125 | CC73JCH1H101J | C CAPACITOR | 100pF 50V J | 1 | K2 |
| | C126 | CC73JCH1H101J | C CAPACITOR | 100pF 50V J | 1 | K2 |
| | C127 | CK73GXR0J475K | C CAPACITOR | 4.7uF 6.3V K | 1 | K1 |
| | C140 | CK73JXR1H103K | C CAPACITOR | 0.01uF 50V K | 1 | |
| | C141 | CC73JCH1H101J | C CAPACITOR | 100pF 50V J | 1 | |
| | C200 | CK73HXR1C105K | C CAPACITOR | 1uF 16V K | 1 | |
| | C203 | CK73GXR1H104K | C CAPACITOR | 0.1uF 50V K | 1 | |
| | C204 | CK73EXR1E106K | C CAPACITOR | 10uF 25V K | 1 | |
| | C205 | CK73HXR1H103K | C CAPACITOR | 0.01uF 50V K | 1 | |
| | C206 | CK73GXR1H104K | C CAPACITOR | 0.1uF 50V K | 1 | |
| | C207 | CK73EXR1E106K | C CAPACITOR | 10uF 25V K | 1 | |
| | C208 | CK73EXR1E106K | C CAPACITOR | 10uF 25V K | 1 | |
| | C209 | CK73HXR1A104K | C CAPACITOR | 0.1uF 10V K | 1 | |
| | C210 | CK73HXR1C105K | C CAPACITOR | 1uF 16V K | 1 | |
| | C211 | CC73GCH1H391J | C CAPACITOR | 390pF 50V J | 1 | |
| | C212 | CK73GXR1H105K | C CAPACITOR | 1uF 50V K | 1 | |
| | C213 | CK73EXR1E106K | C CAPACITOR | 10uF 25V K | 1 | |
| | C214 | CK73JXR1A104K | C CAPACITOR | 0.1uF 10V K | 1 | |
| | C215 | CK73GXR1H104K | C CAPACITOR | 0.1uF 50V K | 1 | |
| | C216 | CK73GXR1H105K | C CAPACITOR | 1uF 50V K | 1 | |
| | C217 | CK73FXR0J226M | C CAPACITOR | 22uF 6.3V M | 1 | |
| | C218 | CK73HXR1H103K | C CAPACITOR | 0.01uF 50V K | 1 | |
| | C219 | CK73EXR1E106K | C CAPACITOR | 10uF 25V K | 1 | |
| | C220 | CK73EXR1E106K | C CAPACITOR | 10uF 25V K | 1 | |
| | C221 | CK73GXR1H105K | C CAPACITOR | 1uF 50V K | 1 | |
| | C300 | CK73GXR1E105K | C CAPACITOR | 1uF 25V K | 1 | |
| | C301 | CK73FXR1C106K | C CAPACITOR | 10uF 16V K | 1 | |
| | C302 | CK73GXR1H105K | C CAPACITOR | 1uF 50V K | 1 | |
| | C303 | CK73GXR1H105K | C CAPACITOR | 1uF 50V K | 1 | |
| | C304 | CK73GXR1H104K | C CAPACITOR | 0.1uF 50V K | 1 | |
| | C305 | CK73EXR1E106K | C CAPACITOR | 10uF 25V K | 1 | |
| | C307 | CK73FXR1E106K | C CAPACITOR | 10uF 25V K | 1 | |
| | C308 | CK73GXR1E105K | C CAPACITOR | 1uF 25V K | 1 | |
| | C309 | CK73FXR1E106K | C CAPACITOR | 10uF 25V K | 1 | |
| | C408 | CK73JXR1E104K | C CAPACITOR | 0.1uF 25V K | 1 | |
| | C409 | CK73HXR1C105K | C CAPACITOR | 1uF 16V K | 1 | |
| | C410 | CK73FXR1E475K | C CAPACITOR | 4.7uF 25V K | 1 | |
| | C411 | CK73GXR1H104K | C CAPACITOR | 0.1uF 50V K | 1 | |
| | C412 | CK73JXR1H103K | C CAPACITOR | 0.01uF 50V K | 1 | |
| | C413 | CK73FXR1E475K | C CAPACITOR | 4.7uF 25V K | 1 | |
| | C414 | CK73JXR1E104K | C CAPACITOR | 0.1uF 25V K | 1 | |
| | C415 | CK73JXR1H103K | C CAPACITOR | 0.01uF 50V K | 1 | |
| | C416 | CK73GXR0J106M | C CAPACITOR | 10uF 6.3V M | 1 | |
| | C417 | CK73JXR1A104K | C CAPACITOR | 0.1uF 10V K | 1 | |
| | C418 | CK73JXR1H103K | C CAPACITOR | 0.01uF 50V K | 1 | |
| | C419 | CK73FXR1C106K | C CAPACITOR | 10uF 16V K | 1 | |
| | C420 | CK73FXR1C106K | C CAPACITOR | 10uF 16V K | 1 | |
| | C421 | CK73GXR1H104K | C CAPACITOR | 0.1uF 50V K | 1 | |
| | C422 | CK73JXR1H103K | C CAPACITOR | 0.01uF 50V K | 1 | |
| | C508 | CK73GXR0J106M | C CAPACITOR | 10uF 6.3V M | 1 | K2 |
| | C509 | CK73HXR1C105K | C CAPACITOR | 1uF 16V K | 1 | K1 |
| | C510 | CK73HXR1C105K | C CAPACITOR | 1uF 16V K | 1 | K1 |
| | C511 | CK73JXR1H103K | C CAPACITOR | 0.01uF 50V K | 1 | K1 |
| | C512 | CK73HXR1E223K | C CAPACITOR | 0.022uF 25V K | 1 | K1 |
| | C513 | CK73HXR1E223K | C CAPACITOR | 0.022uF 25V K | 1 | K1 |
| | C514 | CK73GXR1E225K | C CAPACITOR | 2.2uF 25V K | 1 | K1 |
| | C515 | CK73HXR1E223K | C CAPACITOR | 0.022uF 25V K | 1 | K1 |
| | C517 | CK73HXR1E223K | C CAPACITOR | 0.022uF 25V K | 1 | K1 |
| | C518 | CK73HXR1C105K | C CAPACITOR | 1uF 16V K | 1 | K1 |
| | C520 | CK73GXR1E225K | C CAPACITOR | 2.2uF 25V K | 1 | K1 |
| | C521 | CK73GXR0J475K | C CAPACITOR | 4.7uF 6.3V K | 1 | K1 |
| | C539 | CK73GXR1E225K | C CAPACITOR | 2.2uF 25V K | 1 | K1 |
| | C540 | CK73HXR1E223K | C CAPACITOR | 0.022uF 25V K | 1 | K1 |
| | C600 | CK73JXR1A104K | C CAPACITOR | 0.1uF 10V K | 1 | |
| | C601 | CK73JXR1A104K | C CAPACITOR | 0.1uF 10V K | 1 | |
| | C602 | CK73JXR1A104K | C CAPACITOR | 0.1uF 10V K | 1 | |
| | C603 | CK73FXR0J226M | C CAPACITOR | 22uF 6.3V M | 1 | |
| | C604 | CK73HXR1H102K | C CAPACITOR | 1000pF 50V K | 1 | |
| | C605 | CK73GXR1H104K | C CAPACITOR | 0.1uF 50V K | 1 | |
| | C606 | CK73JXR1H103K | C CAPACITOR | 0.01uF 50V K | 1 | |
| | C607 | CK73HXR1H102K | C CAPACITOR | 1000pF 50V K | 1 | |
| | C608 | CK73HXR1H102K | C CAPACITOR | 1000pF 50V K | 1 | |
| | C609 | CK73HXR1H102K | C CAPACITOR | 1000pF 50V K | 1 | |
| | C611 | CK73EXR1E106K | C CAPACITOR | 10uF 25V K | 1 | |
| | C701 | CK73JXR1H103K | C CAPACITOR | 0.01uF 50V K | 1 | |
| | C702 | CK73FXR1C106K | C CAPACITOR | 10uF 16V K | 1 | |
| | R1 | RK73HB1J000J | MG RESISTOR | 0Ω 1/16W J | 1 | |

| | | | |
|----------|------|----------|------|
| MODEL | MARK | MODEL | MARK |
| DDX8706S | K2 | DDX8906S | K1 |

| Safe | Symbol No. | Parts No. | Parts Name | Description | QTY | Local |
|------|------------|--------------|-------------|---------------|-----|-------|
| | R6 | RK73HB1J000J | MG RESISTOR | 0Ω 1/16W J | 1 | |
| | R8 | RK73HB1J000J | MG RESISTOR | 0Ω 1/16W J | 1 | |
| | R9 | RK73HB1J000J | MG RESISTOR | 0Ω 1/16W J | 1 | |
| | R10 | RK73HB1J000J | MG RESISTOR | 0Ω 1/16W J | 1 | |
| | R11 | RK73HB1J000J | MG RESISTOR | 0Ω 1/16W J | 1 | |
| | R12 | RK73HB1J000J | MG RESISTOR | 0Ω 1/16W J | 1 | |
| | R13 | RK73HB1J000J | MG RESISTOR | 0Ω 1/16W J | 1 | |
| | R14 | RK73HB1J000J | MG RESISTOR | 0Ω 1/16W J | 1 | |
| | R15 | RK73HB1J000J | MG RESISTOR | 0Ω 1/16W J | 1 | |
| | R16 | RK73HB1J000J | MG RESISTOR | 0Ω 1/16W J | 1 | |
| | R17 | RK73HB1J000J | MG RESISTOR | 0Ω 1/16W J | 1 | |
| | R18 | RK73HB1J000J | MG RESISTOR | 0Ω 1/16W J | 1 | |
| | R19 | RK73HB1J000J | MG RESISTOR | 0Ω 1/16W J | 1 | |
| | R20 | RK73HB1J000J | MG RESISTOR | 0Ω 1/16W J | 1 | |
| | R21 | RK73HB1J000J | MG RESISTOR | 0Ω 1/16W J | 1 | |
| | R22 | RK73HB1J000J | MG RESISTOR | 0Ω 1/16W J | 1 | |
| | R23 | RK73HB1J000J | MG RESISTOR | 0Ω 1/16W J | 1 | |
| | R24 | RK73HB1J000J | MG RESISTOR | 0Ω 1/16W J | 1 | |
| | R25 | RK73HB1J000J | MG RESISTOR | 0Ω 1/16W J | 1 | |
| | R27 | RK73HB1J000J | MG RESISTOR | 0Ω 1/16W J | 1 | |
| | R29 | RK73HB1J000J | MG RESISTOR | 0Ω 1/16W J | 1 | |
| | R34 | RK73HB1J000J | MG RESISTOR | 0Ω 1/16W J | 1 | |
| | R39 | RK73HB1J000J | MG RESISTOR | 0Ω 1/16W J | 1 | |
| | R41 | RK73HB1J000J | MG RESISTOR | 0Ω 1/16W J | 1 | |
| | R42 | RK73HB1J000J | MG RESISTOR | 0Ω 1/16W J | 1 | |
| | R43 | RK73HB1J000J | MG RESISTOR | 0Ω 1/16W J | 1 | |
| | R44 | RK73HB1J000J | MG RESISTOR | 0Ω 1/16W J | 1 | |
| | R45 | RK73HB1J000J | MG RESISTOR | 0Ω 1/16W J | 1 | |
| | R46 | RK73HB1J000J | MG RESISTOR | 0Ω 1/16W J | 1 | |
| | R47 | RK73HB1J000J | MG RESISTOR | 0Ω 1/16W J | 1 | |
| | R48 | RK73HB1J000J | MG RESISTOR | 0Ω 1/16W J | 1 | |
| | R49 | RK73HB1J000J | MG RESISTOR | 0Ω 1/16W J | 1 | |
| | R50 | RK73HB1J000J | MG RESISTOR | 0Ω 1/16W J | 1 | |
| | R51 | RK73HB1J000J | MG RESISTOR | 0Ω 1/16W J | 1 | |
| | R52 | RK73HB1J000J | MG RESISTOR | 0Ω 1/16W J | 1 | |
| | R53 | RK73HB1J000J | MG RESISTOR | 0Ω 1/16W J | 1 | |
| | R54 | RK73HB1J000J | MG RESISTOR | 0Ω 1/16W J | 1 | |
| | R55 | RK73HB1J000J | MG RESISTOR | 0Ω 1/16W J | 1 | |
| | R56 | RK73HB1J000J | MG RESISTOR | 0Ω 1/16W J | 1 | |
| | R57 | RK73HB1J000J | MG RESISTOR | 0Ω 1/16W J | 1 | |
| | R58 | RK73HB1J000J | MG RESISTOR | 0Ω 1/16W J | 1 | |
| | R62 | RK73HB1J000J | MG RESISTOR | 0Ω 1/16W J | 1 | |
| | R63 | RK73HB1J000J | MG RESISTOR | 0Ω 1/16W J | 1 | |
| | R100 | RK73HB1J101J | MG RESISTOR | 100Ω 1/16W J | 1 | |
| | R101 | RK73HB1J101J | MG RESISTOR | 100Ω 1/16W J | 1 | |
| | R102 | RK73HB1J101J | MG RESISTOR | 100Ω 1/16W J | 1 | |
| | R103 | RK73HB1J101J | MG RESISTOR | 100Ω 1/16W J | 1 | |
| | R105 | RK73HB1J101J | MG RESISTOR | 100Ω 1/16W J | 1 | |
| | R106 | RK73HB1J101J | MG RESISTOR | 100Ω 1/16W J | 1 | |
| | R107 | RK73HB1J101J | MG RESISTOR | 100Ω 1/16W J | 1 | |
| | R108 | RK73HB1J272J | MG RESISTOR | 2.7kΩ 1/16W J | 1 | |
| | R109 | RK73HB1J101J | MG RESISTOR | 100Ω 1/16W J | 1 | |
| | R110 | RK73HB1J101J | MG RESISTOR | 100Ω 1/16W J | 1 | |
| | R111 | RK73HB1J101J | MG RESISTOR | 100Ω 1/16W J | 1 | |
| | R112 | RK73HB1J123J | MG RESISTOR | 12kΩ 1/16W J | 1 | |
| | R113 | RK73HB1J101J | MG RESISTOR | 100Ω 1/16W J | 1 | |
| | R114 | RK73HB1J101J | MG RESISTOR | 100Ω 1/16W J | 1 | |
| | R115 | RK73HB1J101J | MG RESISTOR | 100Ω 1/16W J | 1 | |
| | R116 | RK73HB1J101J | MG RESISTOR | 100Ω 1/16W J | 1 | |
| | R117 | RK73HB1J101J | MG RESISTOR | 100Ω 1/16W J | 1 | |
| | R120 | RK73HB1J101J | MG RESISTOR | 100Ω 1/16W J | 1 | |
| | R121 | RK73HB1J272J | MG RESISTOR | 2.7kΩ 1/16W J | 1 | |
| | R122 | RK73HB1J101J | MG RESISTOR | 100Ω 1/16W J | 1 | |
| | R123 | RK73HB1J272J | MG RESISTOR | 2.7kΩ 1/16W J | 1 | |
| | R125 | RK73HB1J101J | MG RESISTOR | 100Ω 1/16W J | 1 | |
| | R126 | RK73HB1J103J | MG RESISTOR | 10kΩ 1/16W J | 1 | |
| | R127 | RK73HB1J102J | MG RESISTOR | 1kΩ 1/16W J | 1 | |
| | R128 | RK73HB1J101J | MG RESISTOR | 100Ω 1/16W J | 1 | |
| | R129 | RK73HB1J101J | MG RESISTOR | 100Ω 1/16W J | 1 | |
| | R130 | RK73HB1J101J | MG RESISTOR | 100Ω 1/16W J | 1 | |
| | R131 | RK73HB1J101J | MG RESISTOR | 100Ω 1/16W J | 1 | |
| | R132 | RK73HB1J101J | MG RESISTOR | 100Ω 1/16W J | 1 | |
| | R133 | RK73HB1J101J | MG RESISTOR | 100Ω 1/16W J | 1 | |
| | R134 | RK73HB1J101J | MG RESISTOR | 100Ω 1/16W J | 1 | |
| | R135 | RK73HB1J101J | MG RESISTOR | 100Ω 1/16W J | 1 | |
| | R136 | RK73HB1J103J | MG RESISTOR | 10kΩ 1/16W J | 1 | |
| | R137 | RK73HB1J103J | MG RESISTOR | 10kΩ 1/16W J | 1 | |
| | R138 | RK73HB1J101J | MG RESISTOR | 100Ω 1/16W J | 1 | |
| | R139 | RK73HB1J101J | MG RESISTOR | 100Ω 1/16W J | 1 | |
| | R140 | RK73HB1J101J | MG RESISTOR | 100Ω 1/16W J | 1 | |
| | R141 | RK73HB1J473J | MG RESISTOR | 47kΩ 1/16W J | 1 | |
| | R142 | RK73HB1J473J | MG RESISTOR | 47kΩ 1/16W J | 1 | |
| | R143 | RK73HB1J472J | MG RESISTOR | 4.7kΩ 1/16W J | 1 | |
| | R144 | RK73HB1J472J | MG RESISTOR | 4.7kΩ 1/16W J | 1 | |
| | R145 | RK73HB1J103J | MG RESISTOR | 10kΩ 1/16W J | 1 | |
| | R146 | RK73HB1J102J | MG RESISTOR | 1kΩ 1/16W J | 1 | |
| | R147 | RK73HB1J101J | MG RESISTOR | 100Ω 1/16W J | 1 | |
| | R148 | RK73HB1J101J | MG RESISTOR | 100Ω 1/16W J | 1 | |
| | R149 | RK73HB1J101J | MG RESISTOR | 100Ω 1/16W J | 1 | |
| | R150 | RK73HB1J101J | MG RESISTOR | 100Ω 1/16W J | 1 | |
| | R151 | RK73HB1J331J | MG RESISTOR | 330Ω 1/16W J | 1 | |
| | R155 | RK73HB1J473J | MG RESISTOR | 47kΩ 1/16W J | 1 | |

| MODEL | MARK | MODEL | MARK |
|----------|------|----------|------|
| DDX8706S | K2 | DDX8906S | K1 |

| Safe | Symbol No. | Parts No. | Parts Name | Description | QTY | Local |
|------|------------|--------------|-------------|---------------|-----|-------|
| | R156 | RK73HB1J473J | MG RESISTOR | 47kΩ 1/16W J | 1 | |
| | R157 | RK73HB1J473J | MG RESISTOR | 47kΩ 1/16W J | 1 | K1 |
| | R158 | RK73HB1J473J | MG RESISTOR | 47kΩ 1/16W J | 1 | K1 |
| | R159 | RK73HB1J473J | MG RESISTOR | 47kΩ 1/16W J | 1 | K1 |
| | R160 | RK73HB1J473J | MG RESISTOR | 47kΩ 1/16W J | 1 | K1 |
| | R164 | RK73HB1J000J | MG RESISTOR | 0Ω 1/16W J | 1 | |
| | R165 | RK73HB1J000J | MG RESISTOR | 0Ω 1/16W J | 1 | |
| | R167 | RK73HB1J000J | MG RESISTOR | 0Ω 1/16W J | 1 | |
| | R200 | RK73HB1J000J | MG RESISTOR | 0Ω 1/16W J | 1 | |
| | R201 | RK73HB1J102J | MG RESISTOR | 1kΩ 1/16W J | 1 | |
| | R203 | RK73GB2A511J | MG RESISTOR | 510Ω 1/10W J | 1 | |
| | R204 | RK73GB2A511J | MG RESISTOR | 510Ω 1/10W J | 1 | |
| | R207 | RK73HH1J104D | MG RESISTOR | 100kΩ 1/16W D | 1 | |
| | R208 | RK73HH1J563D | MG RESISTOR | 56kΩ 1/16W D | 1 | |
| | R209 | RK73HB1J000J | MG RESISTOR | 0Ω 1/16W J | 1 | |
| | R210 | RK73HH1J152D | MG RESISTOR | 1.5kΩ 1/16W D | 1 | |
| | R211 | RK73HH1J164D | MG RESISTOR | 160kΩ 1/16W D | 1 | |
| | R212 | RK73HH1J103D | MG RESISTOR | 10kΩ 1/16W D | 1 | |
| | R213 | RK73HB1J000J | MG RESISTOR | 0Ω 1/16W J | 1 | |
| | R214 | RK73HB1J101J | MG RESISTOR | 100Ω 1/16W J | 1 | |
| | R215 | RK73HH1J563D | MG RESISTOR | 56kΩ 1/16W D | 1 | |
| | R216 | RK73HB1J4R7J | MG RESISTOR | 4.7Ω 1/16W J | 1 | |
| | R217 | RK73HB1J000J | MG RESISTOR | 0Ω 1/16W J | 1 | |
| | R218 | RZ73F0AK33LJ | RESISTOR | 0.033Ω 1/3W J | 1 | |
| | R219 | RK73HB1J103J | MG RESISTOR | 10kΩ 1/16W J | 1 | |
| | R220 | RK73GH2A431D | MG RESISTOR | 430Ω 1/10W D | 1 | |
| | R221 | RK73GH2A431D | MG RESISTOR | 430Ω 1/10W D | 1 | |
| | R222 | RK73GH2A431D | MG RESISTOR | 430Ω 1/10W D | 1 | |
| | R223 | RK73HB1J000J | MG RESISTOR | 0Ω 1/16W J | 1 | |
| | R224 | RK73HB1J102J | MG RESISTOR | 1kΩ 1/16W J | 1 | |
| | R225 | RK73HB1J101J | MG RESISTOR | 100Ω 1/16W J | 1 | |
| | R227 | RK73GB2A511J | MG RESISTOR | 510Ω 1/10W J | 1 | |
| | R228 | RK73GB2A511J | MG RESISTOR | 510Ω 1/10W J | 1 | |
| | R229 | RK73GH2A431D | MG RESISTOR | 430Ω 1/10W D | 1 | |
| | R230 | RK73GH2A431D | MG RESISTOR | 430Ω 1/10W D | 1 | |
| | R231 | RK73HB1J473J | MG RESISTOR | 47kΩ 1/16W J | 1 | |
| | R232 | RK73HB1J473J | MG RESISTOR | 47kΩ 1/16W J | 1 | |
| | R233 | RK73GH2A681D | MG RESISTOR | 680Ω 1/10W D | 1 | |
| | R234 | RK73GH2A431D | MG RESISTOR | 430Ω 1/10W D | 1 | |
| | R235 | RK73HB1J101J | MG RESISTOR | 100Ω 1/16W J | 1 | |
| | R236 | RK73GB2A511J | MG RESISTOR | 510Ω 1/10W J | 1 | |
| | R237 | RK73GH2A431D | MG RESISTOR | 430Ω 1/10W D | 1 | |
| | R238 | RK73HB1J101J | MG RESISTOR | 100Ω 1/16W J | 1 | |
| | R239 | RK73HB1J101J | MG RESISTOR | 100Ω 1/16W J | 1 | |
| | R240 | RK73HB1J101J | MG RESISTOR | 100Ω 1/16W J | 1 | |
| | R241 | RK73GH2A681D | MG RESISTOR | 680Ω 1/10W D | 1 | |
| | R242 | RK73GH2A681D | MG RESISTOR | 680Ω 1/10W D | 1 | |
| | R243 | RK73HB1J101J | MG RESISTOR | 100Ω 1/16W J | 1 | |
| | R244 | RK73GH2A681D | MG RESISTOR | 680Ω 1/10W D | 1 | |
| | R245 | RK73GB2A511J | MG RESISTOR | 510Ω 1/10W J | 1 | |
| | R246 | RZ73F0BS560J | RESISTOR | 56Ω J | 1 | |
| | R247 | RK73HB1J102J | MG RESISTOR | 1kΩ 1/16W J | 1 | |
| | R248 | RK73GH2A681D | MG RESISTOR | 680Ω 1/10W D | 1 | |
| | R249 | RK73HB1J473J | MG RESISTOR | 47kΩ 1/16W J | 1 | |
| | R250 | RK73HB1J101J | MG RESISTOR | 100Ω 1/16W J | 1 | |
| | R251 | RK73GH2A681D | MG RESISTOR | 680Ω 1/10W D | 1 | |
| | R252 | RK73GH2A681D | MG RESISTOR | 680Ω 1/10W D | 1 | |
| | R253 | RK73GH2A431D | MG RESISTOR | 430Ω 1/10W D | 1 | |
| | R254 | RK73HB1J101J | MG RESISTOR | 100Ω 1/16W J | 1 | |
| | R255 | RK73GH2A681D | MG RESISTOR | 680Ω 1/10W D | 1 | |
| | R256 | RK73HB1J473J | MG RESISTOR | 47kΩ 1/16W J | 1 | |
| | R257 | RK73HB1J103J | MG RESISTOR | 10kΩ 1/16W J | 1 | |
| | R259 | RK73FB2B000J | MG RESISTOR | 0Ω 1/8W J | 1 | |
| | R300 | RK73HB1J104J | MG RESISTOR | 100kΩ 1/16W J | 1 | |
| | R301 | RK73HB1J102J | MG RESISTOR | 1kΩ 1/16W J | 1 | |
| | R303 | RK73HB1J103J | MG RESISTOR | 10kΩ 1/16W J | 1 | |
| | R307 | RK73HH1J272D | MG RESISTOR | 2.7kΩ 1/16W D | 1 | |
| | R308 | RK73HH1J103D | MG RESISTOR | 10kΩ 1/16W D | 1 | |
| | R309 | RK73HB1J182J | MG RESISTOR | 1.8kΩ 1/16W J | 1 | |
| | R310 | RK73HB1J104J | MG RESISTOR | 100kΩ 1/16W J | 1 | |
| | R312 | RK73HH1J222D | MG RESISTOR | 2.2kΩ 1/16W D | 1 | |
| | R313 | RK73HB1J104J | MG RESISTOR | 100kΩ 1/16W J | 1 | |
| | R314 | RK73HB1J821J | MG RESISTOR | 820Ω 1/16W J | 1 | |
| | R315 | RK73GB2A103J | MG RESISTOR | 10kΩ 1/10W J | 1 | |
| | R316 | RK73GB2A103J | MG RESISTOR | 10kΩ 1/10W J | 1 | |
| | R317 | RK73HB1J751J | MG RESISTOR | 750Ω 1/16W J | 1 | |
| | R318 | RK73HB1J223J | MG RESISTOR | 22kΩ 1/16W J | 1 | |
| | R319 | RK73HB1J333J | MG RESISTOR | 33kΩ 1/16W J | 1 | |
| | R320 | RK73HB1J223J | MG RESISTOR | 22kΩ 1/16W J | 1 | |
| | R321 | RK73HB1J000J | MG RESISTOR | 0Ω 1/16W J | 1 | |
| | R322 | RK73HH1J823D | MG RESISTOR | 82kΩ 1/16W D | 1 | |
| | R323 | RK73HH1J103D | MG RESISTOR | 10kΩ 1/16W D | 1 | |
| | R324 | RK73HH1J271D | MG RESISTOR | 270Ω 1/16W D | 1 | |
| | R401 | RK73HB1J472J | MG RESISTOR | 4.7kΩ 1/16W J | 1 | |
| | R402 | RK73HB1J472J | MG RESISTOR | 4.7kΩ 1/16W J | 1 | |
| | R403 | RK73HB1J102J | MG RESISTOR | 1kΩ 1/16W J | 1 | |
| | R404 | RK73HH1J563D | MG RESISTOR | 56kΩ 1/16W D | 1 | |
| | R405 | RK73HH1J273D | MG RESISTOR | 27kΩ 1/16W D | 1 | |
| | R407 | RK73HH1J223D | MG RESISTOR | 22kΩ 1/16W D | 1 | |
| | R408 | RK73HH1J682D | MG RESISTOR | 6.8kΩ 1/16W D | 1 | |
| | R409 | RK73HH1J124D | MG RESISTOR | 120kΩ 1/16W D | 1 | |
| | R411 | RK73HB1J331J | MG RESISTOR | 330Ω 1/16W J | 1 | |

| | | | |
|----------|------|----------|------|
| MODEL | MARK | MODEL | MARK |
| DDX8706S | K2 | DDX8906S | K1 |

| Safe | Symbol No. | Parts No. | Parts Name | Description | QTY | Local |
|------|------------|--------------|-------------|---------------|-----|-------|
| | R412 | RK73EB2E392J | MG RESISTOR | 3.9kΩ 1/4W J | 1 | |
| | R413 | RK73HH1J243D | MG RESISTOR | 24kΩ 1/16W D | 1 | |
| | R416 | RK73HB1J101J | MG RESISTOR | 100Ω 1/16W J | 1 | |
| | R417 | RK73HB1J101J | MG RESISTOR | 100Ω 1/16W J | 1 | |
| | R419 | RK73HB1J102J | MG RESISTOR | 1kΩ 1/16W J | 1 | |
| | R421 | RK73HB1J331J | MG RESISTOR | 330Ω 1/16W J | 1 | |
| | R426 | RK73EB2E152J | MG RESISTOR | 1.5kΩ 1/4W J | 1 | |
| | R427 | RK73HB1J472J | MG RESISTOR | 4.7kΩ 1/16W J | 1 | |
| | R428 | RK73HH1J561D | MG RESISTOR | 560Ω 1/16W D | 1 | |
| | R481 | RK73HB1J000J | MG RESISTOR | 0Ω 1/16W J | 1 | |
| | R483 | RK73HB1J000J | MG RESISTOR | 0Ω 1/16W J | 1 | |
| | R484 | RK73HB1J000J | MG RESISTOR | 0Ω 1/16W J | 1 | |
| | R485 | RK73HB1J000J | MG RESISTOR | 0Ω 1/16W J | 1 | |
| | R486 | RK73HB1J000J | MG RESISTOR | 0Ω 1/16W J | 1 | |
| | R487 | RK73HB1J000J | MG RESISTOR | 0Ω 1/16W J | 1 | |
| | R488 | RK73HB1J000J | MG RESISTOR | 0Ω 1/16W J | 1 | |
| | R489 | RK73HB1J000J | MG RESISTOR | 0Ω 1/16W J | 1 | |
| | R490 | RK73HB1J000J | MG RESISTOR | 0Ω 1/16W J | 1 | |
| | R491 | RK73HB1J000J | MG RESISTOR | 0Ω 1/16W J | 1 | |
| | R492 | RK73HB1J000J | MG RESISTOR | 0Ω 1/16W J | 1 | |
| | R493 | RK73HB1J000J | MG RESISTOR | 0Ω 1/16W J | 1 | |
| | R494 | RK73HB1J000J | MG RESISTOR | 0Ω 1/16W J | 1 | |
| | R495 | RK73HB1J000J | MG RESISTOR | 0Ω 1/16W J | 1 | |
| | R496 | RK73HB1J000J | MG RESISTOR | 0Ω 1/16W J | 1 | |
| | R497 | RK73HB1J000J | MG RESISTOR | 0Ω 1/16W J | 1 | |
| | R498 | RK73HB1J000J | MG RESISTOR | 0Ω 1/16W J | 1 | |
| | R499 | RK73HB1J000J | MG RESISTOR | 0Ω 1/16W J | 1 | |
| | R500 | RK73HB1J000J | MG RESISTOR | 0Ω 1/16W J | 1 | |
| | R501 | RK73HB1J000J | MG RESISTOR | 0Ω 1/16W J | 1 | |
| | R517 | RK73GH2A220D | MG RESISTOR | 22Ω 1/10W D | 1 | K2 |
| | R518 | RK73GH2A100D | MG RESISTOR | 10Ω 1/10W D | 1 | K2 |
| | R519 | RK73GH2A220D | MG RESISTOR | 22Ω 1/10W D | 1 | K2 |
| | R520 | RK73GH2A100D | MG RESISTOR | 10Ω 1/10W D | 1 | K2 |
| | R521 | RK73HB1J222J | MG RESISTOR | 2.2kΩ 1/16W J | 1 | K2 |
| | R522 | RK73HB1J222J | MG RESISTOR | 2.2kΩ 1/16W J | 1 | K2 |
| | R523 | RK73HB1J473J | MG RESISTOR | 47kΩ 1/16W J | 1 | K2 |
| | R524 | RK73HB1J473J | MG RESISTOR | 47kΩ 1/16W J | 1 | K2 |
| | R525 | RK73HB1J222J | MG RESISTOR | 2.2kΩ 1/16W J | 1 | K2 |
| | R526 | RK73HB1J222J | MG RESISTOR | 2.2kΩ 1/16W J | 1 | K2 |
| | R527 | RK73HB1J473J | MG RESISTOR | 47kΩ 1/16W J | 1 | K2 |
| | R528 | RK73HB1J473J | MG RESISTOR | 47kΩ 1/16W J | 1 | K2 |
| | R529 | RK73HB1J103J | MG RESISTOR | 10kΩ 1/16W J | 1 | K2 |
| | R530 | RK73HB1J102J | MG RESISTOR | 1kΩ 1/16W J | 1 | K2 |
| | R531 | RK73HH1J621D | MG RESISTOR | 620Ω 1/16W D | 1 | K2 |
| | R532 | RK73GB2A101J | MG RESISTOR | 100Ω 1/10W J | 1 | K2 |
| | R533 | RK73GB2A101J | MG RESISTOR | 100Ω 1/10W J | 1 | K2 |
| | R534 | RK73GB2A101J | MG RESISTOR | 100Ω 1/10W J | 1 | K2 |
| | R535 | RK73GB2A101J | MG RESISTOR | 100Ω 1/10W J | 1 | K2 |
| | R536 | RK73GB2A224J | MG RESISTOR | 220kΩ 1/10W J | 1 | K2 |
| | R538 | RK73HB1J102J | MG RESISTOR | 1kΩ 1/16W J | 1 | K1 |
| | R539 | RK73HB1J102J | MG RESISTOR | 1kΩ 1/16W J | 1 | K1 |
| | R540 | RK73HB1J102J | MG RESISTOR | 1kΩ 1/16W J | 1 | K1 |
| | R541 | RK73HB1J102J | MG RESISTOR | 1kΩ 1/16W J | 1 | K1 |
| | R542 | RK73HB1J102J | MG RESISTOR | 1kΩ 1/16W J | 1 | K1 |
| | R543 | RK73HB1J102J | MG RESISTOR | 1kΩ 1/16W J | 1 | K1 |
| | R544 | RK73HB1J102J | MG RESISTOR | 1kΩ 1/16W J | 1 | K1 |
| | R545 | RK73HB1J102J | MG RESISTOR | 1kΩ 1/16W J | 1 | K1 |
| | R546 | RK73HB1J102J | MG RESISTOR | 1kΩ 1/16W J | 1 | K1 |
| | R547 | RK73HB1J102J | MG RESISTOR | 1kΩ 1/16W J | 1 | K1 |
| | R548 | RK73HB1J102J | MG RESISTOR | 1kΩ 1/16W J | 1 | K1 |
| | R549 | RK73HB1J102J | MG RESISTOR | 1kΩ 1/16W J | 1 | K1 |
| | R550 | RK73HB1J102J | MG RESISTOR | 1kΩ 1/16W J | 1 | K1 |
| | R551 | RK73HB1J102J | MG RESISTOR | 1kΩ 1/16W J | 1 | K1 |
| | R552 | RK73HB1J102J | MG RESISTOR | 1kΩ 1/16W J | 1 | K1 |
| | R553 | RK73HB1J102J | MG RESISTOR | 1kΩ 1/16W J | 1 | K1 |
| | R554 | RK73HB1J102J | MG RESISTOR | 1kΩ 1/16W J | 1 | K1 |
| | R555 | RK73HB1J102J | MG RESISTOR | 1kΩ 1/16W J | 1 | K1 |
| | R556 | RK73HB1J102J | MG RESISTOR | 1kΩ 1/16W J | 1 | K1 |
| | R557 | RK73HB1J102J | MG RESISTOR | 1kΩ 1/16W J | 1 | K1 |
| | R558 | RK73HB1J102J | MG RESISTOR | 1kΩ 1/16W J | 1 | K1 |
| | R559 | RK73HB1J102J | MG RESISTOR | 1kΩ 1/16W J | 1 | K1 |
| | R560 | RK73HB1J102J | MG RESISTOR | 1kΩ 1/16W J | 1 | K1 |
| | R561 | RK73HB1J102J | MG RESISTOR | 1kΩ 1/16W J | 1 | K1 |
| | R562 | RK73HB1J102J | MG RESISTOR | 1kΩ 1/16W J | 1 | K1 |
| | R563 | RK73HB1J103J | MG RESISTOR | 10kΩ 1/16W J | 1 | K1 |
| | R564 | RK73HB1J473J | MG RESISTOR | 47kΩ 1/16W J | 1 | K1 |
| | R565 | RK73HB1J332J | MG RESISTOR | 3.3kΩ 1/16W J | 1 | K1 |
| | R566 | RK73HB1J332J | MG RESISTOR | 3.3kΩ 1/16W J | 1 | K1 |
| | R567 | RK73HB1J103J | MG RESISTOR | 10kΩ 1/16W J | 1 | K1 |
| | R568 | RK73HB1J103J | MG RESISTOR | 10kΩ 1/16W J | 1 | K1 |
| | R569 | RK73HB1J103J | MG RESISTOR | 10kΩ 1/16W J | 1 | K1 |
| | R571 | RK73HB1J103J | MG RESISTOR | 10kΩ 1/16W J | 1 | K1 |
| | R572 | RK73HB1J102J | MG RESISTOR | 1kΩ 1/16W J | 1 | K1 |
| | R573 | RK73HB1J102J | MG RESISTOR | 1kΩ 1/16W J | 1 | K1 |
| | R574 | RK73HB1J102J | MG RESISTOR | 1kΩ 1/16W J | 1 | K1 |
| | R575 | RK73HB1J102J | MG RESISTOR | 1kΩ 1/16W J | 1 | K1 |
| | R576 | RK73HB1J102J | MG RESISTOR | 1kΩ 1/16W J | 1 | K1 |
| | R577 | RK73HB1J102J | MG RESISTOR | 1kΩ 1/16W J | 1 | K1 |
| | R578 | RK73HB1J102J | MG RESISTOR | 1kΩ 1/16W J | 1 | K1 |
| | R579 | RK73HB1J102J | MG RESISTOR | 1kΩ 1/16W J | 1 | K1 |
| | R580 | RK73HB1J000J | MG RESISTOR | 0Ω 1/16W J | 1 | K1 |
| | R581 | RK73HB1J000J | MG RESISTOR | 0Ω 1/16W J | 1 | K1 |
| | R582 | RK73HB1J000J | MG RESISTOR | 0Ω 1/16W J | 1 | K1 |

| MODEL | MARK | MODEL | MARK |
|----------|------|----------|------|
| DDX8706S | K2 | DDX8906S | K1 |

| Safe | Symbol No. | Parts No. | Parts Name | Description | QTY | Local |
|---|------------|---------------|---------------|-----------------|-----|-------|
| | R583 | RK73HB1J000J | MG RESISTOR | 0Ω 1/16W J | 1 | K1 |
| | R584 | RK73GB2A000J | MG RESISTOR | 0Ω 1/10W J | 1 | K1 |
| | R585 | RK73GB2A000J | MG RESISTOR | 0Ω 1/10W J | 1 | K1 |
| | R586 | RK73GB2A000J | MG RESISTOR | 0Ω 1/10W J | 1 | K1 |
| | R587 | RK73GB2A000J | MG RESISTOR | 0Ω 1/10W J | 1 | K1 |
| | R588 | RK73GB2A000J | MG RESISTOR | 0Ω 1/10W J | 1 | K1 |
| | R589 | RK73GB2A000J | MG RESISTOR | 0Ω 1/10W J | 1 | K1 |
| | R590 | RK73GB2A000J | MG RESISTOR | 0Ω 1/10W J | 1 | K1 |
| | R591 | RK73GB2A000J | MG RESISTOR | 0Ω 1/10W J | 1 | K1 |
| | R592 | RK73GB2A000J | MG RESISTOR | 0Ω 1/10W J | 1 | K1 |
| | R593 | RK73GB2A000J | MG RESISTOR | 0Ω 1/10W J | 1 | K1 |
| | R594 | RK73GB2A000J | MG RESISTOR | 0Ω 1/10W J | 1 | K1 |
| | R595 | RK73GB2A000J | MG RESISTOR | 0Ω 1/10W J | 1 | K1 |
| | R596 | RK73GB2A000J | MG RESISTOR | 0Ω 1/10W J | 1 | K1 |
| | R597 | RK73GB2A000J | MG RESISTOR | 0Ω 1/10W J | 1 | K1 |
| | R598 | RK73GB2A000J | MG RESISTOR | 0Ω 1/10W J | 1 | K1 |
| | R600 | RK73GB2A100J | MG RESISTOR | 10Ω 1/10W J | 1 | |
| | R601 | RK73GB2A100J | MG RESISTOR | 10Ω 1/10W J | 1 | |
| | R603 | RK73HB1J473J | MG RESISTOR | 47kΩ 1/16W J | 1 | |
| | R604 | RK73HB1J473J | MG RESISTOR | 47kΩ 1/16W J | 1 | |
| | R605 | RK73HB1J473J | MG RESISTOR | 47kΩ 1/16W J | 1 | |
| | R606 | RK73GB2A100J | MG RESISTOR | 10Ω 1/10W J | 1 | |
| | R607 | RK73GB2A100J | MG RESISTOR | 10Ω 1/10W J | 1 | |
| | R608 | RK73GB2A101J | MG RESISTOR | 100Ω 1/10W J | 1 | |
| | R612 | RK73GB2A100J | MG RESISTOR | 10Ω 1/10W J | 1 | |
| | R613 | RK73GB2A221J | MG RESISTOR | 220Ω 1/10W J | 1 | |
| | R614 | RK73HH1J301D | MG RESISTOR | 300Ω 1/16W D | 1 | |
| | R615 | RK73HH1J301D | MG RESISTOR | 300Ω 1/16W D | 1 | |
| | R616 | RK73HH1J301D | MG RESISTOR | 300Ω 1/16W D | 1 | |
| | R617 | RK73HB1J101J | MG RESISTOR | 100Ω 1/16W J | 1 | |
| | R618 | RK73HB1J101J | MG RESISTOR | 100Ω 1/16W J | 1 | |
| | R619 | RK73HB1J101J | MG RESISTOR | 100Ω 1/16W J | 1 | |
| | R620 | RK73GB2A100J | MG RESISTOR | 10Ω 1/10W J | 1 | |
| | R622 | RK73GB2A100J | MG RESISTOR | 10Ω 1/10W J | 1 | |
| | R623 | RK73HB1J000J | MG RESISTOR | 0Ω 1/16W J | 1 | |
| | R625 | RK73GB2A000J | MG RESISTOR | 0Ω 1/10W J | 1 | |
| | R626 | RK73HB1J000J | MG RESISTOR | 0Ω 1/16W J | 1 | K1 |
| | R628 | RK73HB1J104J | MG RESISTOR | 100kΩ 1/16W J | 1 | K2 |
| | R629 | RK73HB1J104J | MG RESISTOR | 100kΩ 1/16W J | 1 | K2 |
| | R630 | RK73HB1J101J | MG RESISTOR | 100Ω 1/16W J | 1 | K1 |
| | R631 | RK73HB1J101J | MG RESISTOR | 100Ω 1/16W J | 1 | K1 |
| | R632 | RK73HB1J101J | MG RESISTOR | 100Ω 1/16W J | 1 | K1 |
| | R633 | RK73HB1J101J | MG RESISTOR | 100Ω 1/16W J | 1 | K1 |
| | R660 | RK73GB2A101J | MG RESISTOR | 100Ω 1/10W J | 1 | |
| | R661 | RK73GB2A391J | MG RESISTOR | 390Ω 1/10W J | 1 | |
| | R662 | RK73GB2A101J | MG RESISTOR | 100Ω 1/10W J | 1 | |
| | R722 | RK73GB2A000J | MG RESISTOR | 0Ω 1/10W J | 1 | |
| | L100 | LB73G0EA-002 | CHIP FERRITE | | 1 | |
| | L102 | LB73G0EA-001 | CHIP FERRITE | | 1 | K1 |
| | L200 | LR7920FB220M | CHIP INDUCTOR | | 1 | |
| | L201 | LB73E0FU-004 | CHIP FERRITE | | 1 | |
| | L404 | LB73G0FV-003 | CHIP FERRITE | | 1 | |
| | L501 | LR73Z0AC100K | CHIP INDUCTOR | | 1 | K2 |
| | L502 | LB73G0EA-001 | CHIP FERRITE | | 1 | K1 |
| | L600 | LB73G0EA-001 | CHIP FERRITE | | 1 | |
| | L602 | LB73G0EA-002 | CHIP FERRITE | | 1 | |
| | CN1 | EC720AB-0570A | FFC FPC CONNE | | 1 | |
| | CN100 | EC720AT-0510A | FFC FPC CONNE | | 1 | |
| | CN200 | EC720BK-0510B | FFC FPC CONNE | | 1 | |
| | CN400 | EC720BK-0560B | FFC FPC CONNE | | 1 | |
| | CN500 | EC720AX-1004A | FFC FPC CONNE | | 1 | K2 |
| | CN501 | EC720CG-0550A | FFC FPC CONNE | | 1 | K1 |
| | CN502 | EC720AT-0508A | FFC FPC CONNE | | 1 | K1 |
| | CN600 | EC720AA-0522A | FFC FPC CONNE | | 1 | |
| | VA500 | EZJP0270EA | VARIATOR | | 1 | K2 |
| | VA501 | EZJP0270EA | VARIATOR | | 1 | K2 |
| | VA502 | EZJP0270EA | VARIATOR | | 1 | K2 |
| | VA503 | EZJP0270EA | VARIATOR | | 1 | K2 |
| | VA600 | EZJP0270EA | VARIATOR | | 1 | |
| | VA601 | EZJP0270EA | VARIATOR | | 1 | |
| | VA602 | EZJP0080MA | VARIATOR | | 1 | |
| | VA603 | EZJP0080MA | VARIATOR | | 1 | |
| | VA604 | EZJP0080MA | VARIATOR | | 1 | |
| DIGITAL IO PWB ASSY(XJA-067K-0x) <XJA> | | | | | | |
| | IC501 | TCC8974F-0AX1 | MPU IC | BGA | 1 | |
| | IC502 | RA8900CEUB | ANALOG IC | | 1 | |
| | IC503 | ----- | ROM IC | NO SERVICE PART | 1 | |
| | IC525 | ----- | ROM IC | NO SERVICE PART | 1 | |
| | IC531 | H5TQ463EFRRDI | DRAM IC | BGA | 1 | |
| | IC532 | H5TQ463EFRRDI | DRAM IC | BGA | 1 | |
| | IC541 | ML86251LAZ07F | MOS IC | BGA | 1 | |
| | IC542 | SN74TVC3010PW | ANALOG IC | | 1 | |
| | IC544 | TC7SH08FUJC | MOS IC | | 1 | |
| | IC546 | LSF0102DCU | ANALOG IC | | 1 | |
| | IC551 | SN74LVCU04APW | MOS IC | | 1 | K1 |
| | IC552 | SN74LVCU04APW | MOS IC | | 1 | K1 |
| | IC553 | SN74LVCU04APW | MOS IC | | 1 | |
| | IC554 | SN74AVC4T245S | MOS IC | | 1 | K1 |
| | IC555 | SN74AVC4T245S | MOS IC | | 1 | |
| | IC556 | TC7SZ00FUJC | MOS IC | | 1 | |
| | IC563 | MFI337S395901 | MCU IC | | 1 | |
| | IC571 | TPS2543RTE | MOS IC | | 1 | |

| | | | |
|----------|------|----------|------|
| MODEL | MARK | MODEL | MARK |
| DDX8706S | K2 | DDX8906S | K1 |

| Safe | Symbol No. | Parts No. | Parts Name | Description | QTY | Local |
|------|------------|---------------|-----------------|-------------|-----|-------|
| | IC573 | CYUSB230268LI | MOS IC | | 1 | |
| | IC574 | XC6223B121P-G | ANALOG IC | | 1 | |
| | IC591 | MP9943AGQ | ANALOG IC | | 1 | |
| | IC592 | MP9943AGQ | ANALOG IC | | 1 | |
| | IC594 | TC7SH08FUJC | MOS IC | | 1 | |
| | IC595 | XC6223D181P-G | ANALOG IC | | 1 | |
| | IC596 | BD00IC0EEFJ-M | ANALOG IC | | 1 | |
| | IC597 | BD15KA5WFP | MOS IC | | 1 | |
| | IC601 | MP9943AGQ | ANALOG IC | | 1 | |
| | IC602 | MP9942AGJ | ANALOG IC | | 1 | |
| | IC631 | NJM2561F1 | BIPOlar IC | | 1 | |
| | IC801 | RP108J081B-AE | MOS IC | | 1 | |
| | IC802 | MM3411A18NE | ANALOG IC | | 1 | |
| | Q551 | RE1C002ZP | FET | | 1 | |
| | Q5401 | LSCR523EBFS8 | TRANSISTOR | | 1 | |
| | Q5402 | LSCR523EBFS8 | TRANSISTOR | | 1 | |
| | Q5403 | LSCR523EBFS8 | TRANSISTOR | | 1 | |
| | Q5404 | LSCR523EBFS8 | TRANSISTOR | | 1 | |
| | Q5603 | LTC014YEBFS8 | DIGI TRANSISTOR | | 1 | |
| | Q5604 | LTC014YEBFS8 | DIGI TRANSISTOR | | 1 | |
| | Q5605 | LTC014YEBFS8 | DIGI TRANSISTOR | | 1 | |
| | Q5606 | LTC014YEBFS8 | DIGI TRANSISTOR | | 1 | |
| | Q5607 | LSAR523EBFS8 | TRANSISTOR | | 1 | |
| | Q5608 | 2SC4617EB/QR/ | TRANSISTOR | | 1 | |
| | Q5801 | 2SK3019 | FET | | 1 | |
| | Q5802 | LTC014YEBFS8 | DIGI TRANSISTOR | | 1 | |
| | Q5871 | LTA014YEBFS8 | DIGI TRANSISTOR | | 1 | |
| | Q5872 | LTC014YEBFS8 | DIGI TRANSISTOR | | 1 | |
| | D5871 | QSMR-C13SBCMN | LED | | 1 | |
| | C631 | CK73HXR1C105K | C CAPACITOR | 1uF 16V K | 1 | |
| | C632 | CK73JXR1C104K | C CAPACITOR | 0.1uF 16V K | 1 | |
| | C633 | CK73FXR1C106K | C CAPACITOR | 10uF 16V K | 1 | |
| | C5001 | CK73JXR1C104K | C CAPACITOR | 0.1uF 16V K | 1 | |
| | C5002 | CK73JXR1C104K | C CAPACITOR | 0.1uF 16V K | 1 | |
| | C5003 | CK73JXR1C104K | C CAPACITOR | 0.1uF 16V K | 1 | |
| | C5004 | CK73JXR1C104K | C CAPACITOR | 0.1uF 16V K | 1 | |
| | C5005 | CK73JXR1C104K | C CAPACITOR | 0.1uF 16V K | 1 | |
| | C5006 | CK73JXR1C104K | C CAPACITOR | 0.1uF 16V K | 1 | |
| | C5007 | CK73JXR1C104K | C CAPACITOR | 0.1uF 16V K | 1 | |
| | C5008 | CK73JXR1C104K | C CAPACITOR | 0.1uF 16V K | 1 | |
| | C5009 | CK73JXR1C104K | C CAPACITOR | 0.1uF 16V K | 1 | |
| | C5010 | CK73JXR1C104K | C CAPACITOR | 0.1uF 16V K | 1 | |
| | C5011 | CK73JXR1C104K | C CAPACITOR | 0.1uF 16V K | 1 | |
| | C5012 | CK73JXR1C104K | C CAPACITOR | 0.1uF 16V K | 1 | |
| | C5013 | CK73JXR1C104K | C CAPACITOR | 0.1uF 16V K | 1 | |
| | C5014 | CK73JXR1C104K | C CAPACITOR | 0.1uF 16V K | 1 | |
| | C5015 | CK73JXR1C104K | C CAPACITOR | 0.1uF 16V K | 1 | |
| | C5016 | CK73JXR1C104K | C CAPACITOR | 0.1uF 16V K | 1 | |
| | C5017 | CK73JXR1C104K | C CAPACITOR | 0.1uF 16V K | 1 | |
| | C5018 | CK73JXR1C104K | C CAPACITOR | 0.1uF 16V K | 1 | |
| | C5019 | CK73JXR1C104K | C CAPACITOR | 0.1uF 16V K | 1 | |
| | C5020 | CK73JXR1C104K | C CAPACITOR | 0.1uF 16V K | 1 | |
| | C5021 | CK73JXR1C104K | C CAPACITOR | 0.1uF 16V K | 1 | |
| | C5022 | CK73JXR1C104K | C CAPACITOR | 0.1uF 16V K | 1 | |
| | C5023 | CK73JXR1C104K | C CAPACITOR | 0.1uF 16V K | 1 | |
| | C5024 | CK73JXR1C104K | C CAPACITOR | 0.1uF 16V K | 1 | |
| | C5025 | CK73JXR1C104K | C CAPACITOR | 0.1uF 16V K | 1 | |
| | C5026 | CK73JXR1C104K | C CAPACITOR | 0.1uF 16V K | 1 | |
| | C5027 | CK73JXR1C104K | C CAPACITOR | 0.1uF 16V K | 1 | |
| | C5028 | CK73JXR1C104K | C CAPACITOR | 0.1uF 16V K | 1 | |
| | C5029 | CK73JXR1C104K | C CAPACITOR | 0.1uF 16V K | 1 | |
| | C5030 | CK73JXR1C104K | C CAPACITOR | 0.1uF 16V K | 1 | |
| | C5031 | CK73JXR1C104K | C CAPACITOR | 0.1uF 16V K | 1 | |
| | C5032 | CK73JXR1C104K | C CAPACITOR | 0.1uF 16V K | 1 | |
| | C5033 | CK73JXR1C104K | C CAPACITOR | 0.1uF 16V K | 1 | |
| | C5034 | CK73JXR1C104K | C CAPACITOR | 0.1uF 16V K | 1 | |
| | C5035 | CK73JXR1C104K | C CAPACITOR | 0.1uF 16V K | 1 | |
| | C5036 | CK73JXR1C104K | C CAPACITOR | 0.1uF 16V K | 1 | |
| | C5037 | CK73JXR1C104K | C CAPACITOR | 0.1uF 16V K | 1 | |
| | C5038 | CK73JXR1C104K | C CAPACITOR | 0.1uF 16V K | 1 | |
| | C5039 | CC73JCH1H060C | C CAPACITOR | 6pF 50V C | 1 | |
| | C5040 | CC73JCH1H060C | C CAPACITOR | 6pF 50V C | 1 | |
| | C5041 | CK73JXR1C104K | C CAPACITOR | 0.1uF 16V K | 1 | |
| | C5042 | CK73JXR1C104K | C CAPACITOR | 0.1uF 16V K | 1 | |
| | C5043 | CK73JXR1C104K | C CAPACITOR | 0.1uF 16V K | 1 | |
| | C5045 | CK73JXR1C104K | C CAPACITOR | 0.1uF 16V K | 1 | |
| | C5046 | CK73JXR1C104K | C CAPACITOR | 0.1uF 16V K | 1 | |
| | C5050 | CK73JXR1C104K | C CAPACITOR | 0.1uF 16V K | 1 | |
| | C5051 | CK73JXR1C104K | C CAPACITOR | 0.1uF 16V K | 1 | |
| | C5052 | CK73JXR1C104K | C CAPACITOR | 0.1uF 16V K | 1 | |
| | C5053 | CK73JXR1C104K | C CAPACITOR | 0.1uF 16V K | 1 | |
| | C5054 | CK73JXR1C104K | C CAPACITOR | 0.1uF 16V K | 1 | |
| | C5055 | CK73JXR1C104K | C CAPACITOR | 0.1uF 16V K | 1 | |
| | C5056 | CK73JXR1C104K | C CAPACITOR | 0.1uF 16V K | 1 | |
| | C5057 | CK73JXR1C104K | C CAPACITOR | 0.1uF 16V K | 1 | |
| | C5058 | CK73JXR1C104K | C CAPACITOR | 0.1uF 16V K | 1 | |
| | C5059 | CK73JXR1C104K | C CAPACITOR | 0.1uF 16V K | 1 | |
| | C5060 | CK73JXR1C104K | C CAPACITOR | 0.1uF 16V K | 1 | |
| | C5061 | CK73JXR1C104K | C CAPACITOR | 0.1uF 16V K | 1 | |
| | C5066 | CK73JXR1C104K | C CAPACITOR | 0.1uF 16V K | 1 | |
| | C5067 | CK73JXR1C104K | C CAPACITOR | 0.1uF 16V K | 1 | |
| | C5068 | CK73JXR1C104K | C CAPACITOR | 0.1uF 16V K | 1 | |

| MODEL | MARK | MODEL | MARK |
|----------|------|----------|------|
| DDX8706S | K2 | DDX8906S | K1 |

| Safe | Symbol No. | Parts No. | Parts Name | Description | QTY | Local |
|------|------------|---------------|----------------|--------------|-----|-------|
| | C5069 | CK73JXR1C104K | C CAPACITOR | 0.1uF 16V K | 1 | |
| | C5070 | CK73JXR1C104K | C CAPACITOR | 0.1uF 16V K | 1 | |
| | C5071 | CK73JXR1C104K | C CAPACITOR | 0.1uF 16V K | 1 | |
| | C5072 | CK73JXR1C104K | C CAPACITOR | 0.1uF 16V K | 1 | |
| | C5073 | CK73JXR1C104K | C CAPACITOR | 0.1uF 16V K | 1 | |
| | C5074 | CK73JXR1C104K | C CAPACITOR | 0.1uF 16V K | 1 | |
| | C5075 | CK73JXR1C104K | C CAPACITOR | 0.1uF 16V K | 1 | |
| | C5076 | CK73JXR1C104K | C CAPACITOR | 0.1uF 16V K | 1 | |
| | C5077 | CK73JXR1C104K | C CAPACITOR | 0.1uF 16V K | 1 | |
| | C5078 | CK73JXR1C104K | C CAPACITOR | 0.1uF 16V K | 1 | |
| | C5079 | CK73JXR1C104K | C CAPACITOR | 0.1uF 16V K | 1 | |
| | C5080 | CK73JXR1C104K | C CAPACITOR | 0.1uF 16V K | 1 | |
| | C5081 | CK73JXR1C104K | C CAPACITOR | 0.1uF 16V K | 1 | |
| | C5083 | CK73JXR1C104K | C CAPACITOR | 0.1uF 16V K | 1 | |
| | C5084 | CK73JXR1C104K | C CAPACITOR | 0.1uF 16V K | 1 | |
| | C5085 | CK73JXR1C104K | C CAPACITOR | 0.1uF 16V K | 1 | |
| | C5086 | CK73JXR1C104K | C CAPACITOR | 0.1uF 16V K | 1 | |
| | C5087 | CK73JXR1C104K | C CAPACITOR | 0.1uF 16V K | 1 | |
| | C5088 | CK73JXR1C104K | C CAPACITOR | 0.1uF 16V K | 1 | |
| | C5089 | CK73JXR1C104K | C CAPACITOR | 0.1uF 16V K | 1 | |
| | C5090 | CK73JXR1C104K | C CAPACITOR | 0.1uF 16V K | 1 | |
| | C5091 | CK73JXR1C104K | C CAPACITOR | 0.1uF 16V K | 1 | |
| | C5092 | CK73JXR1C104K | C CAPACITOR | 0.1uF 16V K | 1 | |
| | C5093 | CK73JXR1C104K | C CAPACITOR | 0.1uF 16V K | 1 | |
| | C5094 | CK73JXR1C104K | C CAPACITOR | 0.1uF 16V K | 1 | |
| | C5095 | CK73JXR1C104K | C CAPACITOR | 0.1uF 16V K | 1 | |
| | C5096 | CK73JXR1C104K | C CAPACITOR | 0.1uF 16V K | 1 | |
| | C5097 | CK73JXR1C104K | C CAPACITOR | 0.1uF 16V K | 1 | |
| | C5098 | CK73JXR1C104K | C CAPACITOR | 0.1uF 16V K | 1 | |
| | C5099 | CK73JXR1C104K | C CAPACITOR | 0.1uF 16V K | 1 | |
| | C5100 | CK73JXR1C104K | C CAPACITOR | 0.1uF 16V K | 1 | |
| | C5101 | CK73JXR1C104K | C CAPACITOR | 0.1uF 16V K | 1 | |
| | C5102 | CK73JXR1C104K | C CAPACITOR | 0.1uF 16V K | 1 | |
| | C5103 | CK73JXR1C104K | C CAPACITOR | 0.1uF 16V K | 1 | |
| | C5104 | CK73JXR1C104K | C CAPACITOR | 0.1uF 16V K | 1 | |
| | C5105 | CK73JXR1C104K | C CAPACITOR | 0.1uF 16V K | 1 | |
| | C5106 | CK73JXR1C104K | C CAPACITOR | 0.1uF 16V K | 1 | |
| | C5107 | CK73JXR1C104K | C CAPACITOR | 0.1uF 16V K | 1 | |
| | C5108 | CK73JXR1C104K | C CAPACITOR | 0.1uF 16V K | 1 | |
| | C5109 | CK73JXR1C104K | C CAPACITOR | 0.1uF 16V K | 1 | |
| | C5110 | CK73JXR1C104K | C CAPACITOR | 0.1uF 16V K | 1 | |
| | C5111 | CK73JXR1C104K | C CAPACITOR | 0.1uF 16V K | 1 | |
| | C5112 | CK73JXR1C104K | C CAPACITOR | 0.1uF 16V K | 1 | |
| | C5113 | CK73JXR1C104K | C CAPACITOR | 0.1uF 16V K | 1 | |
| | C5114 | CK73JXR1C104K | C CAPACITOR | 0.1uF 16V K | 1 | |
| | C5115 | CK73JXR1C104K | C CAPACITOR | 0.1uF 16V K | 1 | |
| | C5116 | CK73JXR1C104K | C CAPACITOR | 0.1uF 16V K | 1 | |
| | C5117 | CK73JXR1C104K | C CAPACITOR | 0.1uF 16V K | 1 | |
| | C5118 | CK73JXR1C104K | C CAPACITOR | 0.1uF 16V K | 1 | |
| | C5119 | CK73JXR1C104K | C CAPACITOR | 0.1uF 16V K | 1 | |
| | C5120 | CK73JXR1C104K | C CAPACITOR | 0.1uF 16V K | 1 | |
| | C5121 | CK73JXR1C104K | C CAPACITOR | 0.1uF 16V K | 1 | |
| | C5122 | CK73JXR1C104K | C CAPACITOR | 0.1uF 16V K | 1 | |
| | C5123 | CK73JXR1C104K | C CAPACITOR | 0.1uF 16V K | 1 | |
| | C5124 | CK73JXR1C104K | C CAPACITOR | 0.1uF 16V K | 1 | |
| | C5126 | CS77FBK0J101M | TA E CAPACITOR | 100uF 6.3V M | 1 | |
| | C5128 | CS77FBK0J101M | TA E CAPACITOR | 100uF 6.3V M | 1 | |
| | C5130 | CK73JXR1C104K | C CAPACITOR | 0.1uF 16V K | 1 | |
| | C5132 | CS77FBK0J101M | TA E CAPACITOR | 100uF 6.3V M | 1 | |
| | C5133 | CK73JXR1C104K | C CAPACITOR | 0.1uF 16V K | 1 | |
| | C5134 | CK73JXR1C104K | C CAPACITOR | 0.1uF 16V K | 1 | |
| | C5201 | CS77FBK0J101M | TA E CAPACITOR | 100uF 6.3V M | 1 | |
| | C5202 | CK73JXR1H102K | C CAPACITOR | 1000pF 50V K | 1 | |
| | C5203 | CK73JXR1C104K | C CAPACITOR | 0.1uF 16V K | 1 | |
| | C5204 | CK73JXR1C104K | C CAPACITOR | 0.1uF 16V K | 1 | |
| | C5251 | CK73FXR1C106K | C CAPACITOR | 10uF 16V K | 1 | |
| | C5252 | CK73FXR1C106K | C CAPACITOR | 10uF 16V K | 1 | |
| | C5253 | CK73JXR1C104K | C CAPACITOR | 0.1uF 16V K | 1 | |
| | C5255 | CK73JXR1C104K | C CAPACITOR | 0.1uF 16V K | 1 | |
| | C5259 | CK73JXR1C104K | C CAPACITOR | 0.1uF 16V K | 1 | |
| | C5263 | CK73FXR1C106K | C CAPACITOR | 10uF 16V K | 1 | |
| | C5269 | CK73FXR1C106K | C CAPACITOR | 10uF 16V K | 1 | |
| | C5301 | CS77FBK0J101M | TA E CAPACITOR | 100uF 6.3V M | 1 | |
| | C5302 | CC73JCH1H121J | C CAPACITOR | 120pF 50V J | 1 | |
| | C5303 | CK73JXR1C104K | C CAPACITOR | 0.1uF 16V K | 1 | |
| | C5304 | CC73JCH1H121J | C CAPACITOR | 120pF 50V J | 1 | |
| | C5305 | CK73JXR1C104K | C CAPACITOR | 0.1uF 16V K | 1 | |
| | C5306 | CC73JCH1H121J | C CAPACITOR | 120pF 50V J | 1 | |
| | C5307 | CK73JXR1C104K | C CAPACITOR | 0.1uF 16V K | 1 | |
| | C5308 | CC73JCH1H121J | C CAPACITOR | 120pF 50V J | 1 | |
| | C5309 | CK73JXR1C104K | C CAPACITOR | 0.1uF 16V K | 1 | |
| | C5311 | CK73JXR1C104K | C CAPACITOR | 0.1uF 16V K | 1 | |
| | C5312 | CC73JCH1H121J | C CAPACITOR | 120pF 50V J | 1 | |
| | C5313 | CK73JXR1C104K | C CAPACITOR | 0.1uF 16V K | 1 | |
| | C5314 | CC73JCH1H121J | C CAPACITOR | 120pF 50V J | 1 | |
| | C5315 | CK73JXR1C104K | C CAPACITOR | 0.1uF 16V K | 1 | |
| | C5316 | CC73JCH1H121J | C CAPACITOR | 120pF 50V J | 1 | |
| | C5317 | CC73JCH1H121J | C CAPACITOR | 120pF 50V J | 1 | |
| | C5318 | CK73JXR1C104K | C CAPACITOR | 0.1uF 16V K | 1 | |
| | C5319 | CK73JXR1C104K | C CAPACITOR | 0.1uF 16V K | 1 | |
| | C5320 | CC73JCH1H121J | C CAPACITOR | 120pF 50V J | 1 | |
| | C5321 | CC73JCH1H121J | C CAPACITOR | 120pF 50V J | 1 | |

| | | | |
|----------|------|----------|------|
| MODEL | MARK | MODEL | MARK |
| DDX8706S | K2 | DDX8906S | K1 |

| Safe | Symbol No. | Parts No. | Parts Name | Description | QTY | Local |
|------|------------|---------------|-------------|--------------|-----|-------|
| | C5322 | CK73JXR1C104K | C CAPACITOR | 0.1uF 16V K | 1 | |
| | C5323 | CK73JXR1C104K | C CAPACITOR | 0.1uF 16V K | 1 | |
| | C5324 | CK73JXR1C104K | C CAPACITOR | 0.1uF 16V K | 1 | |
| | C5325 | CK73JXR1C104K | C CAPACITOR | 0.1uF 16V K | 1 | |
| | C5326 | CK73JXR1C104K | C CAPACITOR | 0.1uF 16V K | 1 | |
| | C5327 | CK73JXR1C104K | C CAPACITOR | 0.1uF 16V K | 1 | |
| | C5328 | CK73JXR1C104K | C CAPACITOR | 0.1uF 16V K | 1 | |
| | C5329 | CK73JXR1C104K | C CAPACITOR | 0.1uF 16V K | 1 | |
| | C5330 | CC73JCH1H121J | C CAPACITOR | 120pF 50V J | 1 | |
| | C5331 | CK73JXR1C104K | C CAPACITOR | 0.1uF 16V K | 1 | |
| | C5332 | CC73JCH1H121J | C CAPACITOR | 120pF 50V J | 1 | |
| | C5333 | CK73JXR1C104K | C CAPACITOR | 0.1uF 16V K | 1 | |
| | C5334 | CC73JCH1H121J | C CAPACITOR | 120pF 50V J | 1 | |
| | C5335 | CK73JXR1C104K | C CAPACITOR | 0.1uF 16V K | 1 | |
| | C5336 | CC73JCH1H121J | C CAPACITOR | 120pF 50V J | 1 | |
| | C5337 | CK73JXR1C104K | C CAPACITOR | 0.1uF 16V K | 1 | |
| | C5338 | CC73JCH1H121J | C CAPACITOR | 120pF 50V J | 1 | |
| | C5339 | CK73JXR1C104K | C CAPACITOR | 0.1uF 16V K | 1 | |
| | C5340 | CC73JCH1H121J | C CAPACITOR | 120pF 50V J | 1 | |
| | C5341 | CK73JXR1C104K | C CAPACITOR | 0.1uF 16V K | 1 | |
| | C5342 | CC73JCH1H121J | C CAPACITOR | 120pF 50V J | 1 | |
| | C5343 | CK73JXR1C104K | C CAPACITOR | 0.1uF 16V K | 1 | |
| | C5344 | CC73JCH1H121J | C CAPACITOR | 120pF 50V J | 1 | |
| | C5345 | CK73JXR1C104K | C CAPACITOR | 0.1uF 16V K | 1 | |
| | C5346 | CC73JCH1H121J | C CAPACITOR | 120pF 50V J | 1 | |
| | C5347 | CK73JXR1C104K | C CAPACITOR | 0.1uF 16V K | 1 | |
| | C5348 | CC73JCH1H121J | C CAPACITOR | 120pF 50V J | 1 | |
| | C5349 | CC73JCH1H121J | C CAPACITOR | 120pF 50V J | 1 | |
| | C5350 | CC73JCH1H121J | C CAPACITOR | 120pF 50V J | 1 | |
| | C5351 | CC73JCH1H121J | C CAPACITOR | 120pF 50V J | 1 | |
| | C5352 | CK73JXR1C104K | C CAPACITOR | 0.1uF 16V K | 1 | |
| | C5353 | CC73JCH1H121J | C CAPACITOR | 120pF 50V J | 1 | |
| | C5354 | CK73JXR1C104K | C CAPACITOR | 0.1uF 16V K | 1 | |
| | C5355 | CC73JCH1H121J | C CAPACITOR | 120pF 50V J | 1 | |
| | C5356 | CK73JXR1C104K | C CAPACITOR | 0.1uF 16V K | 1 | |
| | C5357 | CC73JCH1H121J | C CAPACITOR | 120pF 50V J | 1 | |
| | C5358 | CK73JXR1C104K | C CAPACITOR | 0.1uF 16V K | 1 | |
| | C5359 | CK73JXR1C104K | C CAPACITOR | 0.1uF 16V K | 1 | |
| | C5360 | CK73JXR1C104K | C CAPACITOR | 0.1uF 16V K | 1 | |
| | C5361 | CK73JXR1C104K | C CAPACITOR | 0.1uF 16V K | 1 | |
| | C5362 | CK73JXR1C104K | C CAPACITOR | 0.1uF 16V K | 1 | |
| | C5363 | CK73JXR1C104K | C CAPACITOR | 0.1uF 16V K | 1 | |
| | C5364 | CK73JXR1C104K | C CAPACITOR | 0.1uF 16V K | 1 | |
| | C5365 | CC73JCH1H121J | C CAPACITOR | 120pF 50V J | 1 | |
| | C5366 | CK73JXR1C104K | C CAPACITOR | 0.1uF 16V K | 1 | |
| | C5367 | CC73JCH1H121J | C CAPACITOR | 120pF 50V J | 1 | |
| | C5368 | CK73JXR1C104K | C CAPACITOR | 0.1uF 16V K | 1 | |
| | C5369 | CC73JCH1H121J | C CAPACITOR | 120pF 50V J | 1 | |
| | C5370 | CC73JCH1H121J | C CAPACITOR | 120pF 50V J | 1 | |
| | C5372 | CK73JXR1C104K | C CAPACITOR | 0.1uF 16V K | 1 | |
| | C5373 | CC73JCH1H121J | C CAPACITOR | 120pF 50V J | 1 | |
| | C5374 | CK73JXR1C104K | C CAPACITOR | 0.1uF 16V K | 1 | |
| | C5375 | CC73JCH1H121J | C CAPACITOR | 120pF 50V J | 1 | |
| | C5376 | CK73JXR1C104K | C CAPACITOR | 0.1uF 16V K | 1 | |
| | C5377 | CC73JCH1H121J | C CAPACITOR | 120pF 50V J | 1 | |
| | C5378 | CK73JXR1C104K | C CAPACITOR | 0.1uF 16V K | 1 | |
| | C5379 | CC73JCH1H121J | C CAPACITOR | 120pF 50V J | 1 | |
| | C5380 | CK73JXR1C104K | C CAPACITOR | 0.1uF 16V K | 1 | |
| | C5381 | CC73JCH1H121J | C CAPACITOR | 120pF 50V J | 1 | |
| | C5382 | CC73JCH1H121J | C CAPACITOR | 120pF 50V J | 1 | |
| | C5383 | CK73JXR1C104K | C CAPACITOR | 0.1uF 16V K | 1 | |
| | C5385 | CK73JXR1H102K | C CAPACITOR | 1000pF 50V K | 1 | |
| | C5401 | CC73JCH1H221J | C CAPACITOR | 220pF 50V J | 1 | |
| | C5461 | CK73JXR1C104K | C CAPACITOR | 0.1uF 16V K | 1 | |
| | C5462 | CK73JXR1C104K | C CAPACITOR | 0.1uF 16V K | 1 | |
| | C5472 | CK73JXR1C104K | C CAPACITOR | 0.1uF 16V K | 1 | |
| | C5475 | CC73JCH1H221J | C CAPACITOR | 220pF 50V J | 1 | |
| | C5479 | CK73JXR1C104K | C CAPACITOR | 0.1uF 16V K | 1 | |
| | C5480 | CK73JXR1C104K | C CAPACITOR | 0.1uF 16V K | 1 | |
| | C5481 | CK73JXR1C104K | C CAPACITOR | 0.1uF 16V K | 1 | |
| | C5482 | CK73JXR1C104K | C CAPACITOR | 0.1uF 16V K | 1 | |
| | C5484 | CK73JXR1C104K | C CAPACITOR | 0.1uF 16V K | 1 | |
| | C5485 | CK73JXR1C104K | C CAPACITOR | 0.1uF 16V K | 1 | |
| | C5486 | CK73JXR1C104K | C CAPACITOR | 0.1uF 16V K | 1 | |
| | C5487 | CK73JXR1C104K | C CAPACITOR | 0.1uF 16V K | 1 | |
| | C5488 | CK73JXR1C104K | C CAPACITOR | 0.1uF 16V K | 1 | |
| | C5489 | CK73JXR1C104K | C CAPACITOR | 0.1uF 16V K | 1 | |
| | C5490 | CK73JXR1C104K | C CAPACITOR | 0.1uF 16V K | 1 | |
| | C5491 | CK73FXR1C106K | C CAPACITOR | 10uF 16V K | 1 | |
| | C5493 | CK73FXR1C106K | C CAPACITOR | 10uF 16V K | 1 | |
| | C5494 | CK73GXR0J106M | C CAPACITOR | 10uF 6.3V M | 1 | |
| | C5495 | CK73GXR0J106M | C CAPACITOR | 10uF 6.3V M | 1 | |
| | C5496 | CK73FXR1C106K | C CAPACITOR | 10uF 16V K | 1 | |
| | C5497 | CK73GXR0J106M | C CAPACITOR | 10uF 6.3V M | 1 | |
| | C5498 | CK73FXR1C106K | C CAPACITOR | 10uF 16V K | 1 | |
| | C5499 | CK73GXR0J106M | C CAPACITOR | 10uF 6.3V M | 1 | |
| | C5500 | CK73JXR1H103K | C CAPACITOR | 0.01uF 50V K | 1 | |
| | C5501 | CK73JXR1H103K | C CAPACITOR | 0.01uF 50V K | 1 | |
| | C5502 | CK73JXR1H103K | C CAPACITOR | 0.01uF 50V K | 1 | |
| | C5503 | CK73JXR1H103K | C CAPACITOR | 0.01uF 50V K | 1 | |
| | C5504 | CK73JXR1H102K | C CAPACITOR | 1000pF 50V K | 1 | |
| | C5505 | CK73JXR1H102K | C CAPACITOR | 1000pF 50V K | 1 | |
| | C5506 | CK73JXR1H102K | C CAPACITOR | 1000pF 50V K | 1 | |

| MODEL | MARK | MODEL | MARK |
|----------|------|----------|------|
| DDX8706S | K2 | DDX8906S | K1 |

| Safe | Symbol No. | Parts No. | Parts Name | Description | QTY | Local |
|------|------------|---------------|-------------|--------------|-----|-------|
| | C5507 | CK73HXR1C105K | C CAPACITOR | 1uF 16V K | 1 | |
| | C5508 | CK73HXR1C105K | C CAPACITOR | 1uF 16V K | 1 | |
| | C5509 | CK73HXR1C105K | C CAPACITOR | 1uF 16V K | 1 | |
| | C5510 | CK73HXR1C105K | C CAPACITOR | 1uF 16V K | 1 | |
| | C5511 | CC73JCH1H100D | C CAPACITOR | 10pF 50V D | 1 | |
| | C5512 | CC73JCH1H120J | C CAPACITOR | 12pF 50V J | 1 | |
| | C5513 | CK73HXR1C105K | C CAPACITOR | 1uF 16V K | 1 | |
| | C5514 | CK73HXR1C105K | C CAPACITOR | 1uF 16V K | 1 | |
| | C5515 | CK73HXR1C105K | C CAPACITOR | 1uF 16V K | 1 | |
| | C5516 | CK73GXR0J106M | C CAPACITOR | 10uF 6.3V M | 1 | |
| | C5517 | CK73GXR0J106M | C CAPACITOR | 10uF 6.3V M | 1 | |
| | C5518 | CK73FXR1C106K | C CAPACITOR | 10uF 16V K | 1 | |
| | C5519 | CK73FXR1C106K | C CAPACITOR | 10uF 16V K | 1 | |
| | C5521 | CK73HXR1C105K | C CAPACITOR | 1uF 16V K | 1 | |
| | C5523 | CK73HXR1C105K | C CAPACITOR | 1uF 16V K | 1 | |
| | C5524 | CK73HXR1C105K | C CAPACITOR | 1uF 16V K | 1 | |
| | C5531 | CK73FXR1C106K | C CAPACITOR | 10uF 16V K | 1 | |
| | C5532 | CK73JXR1C104K | C CAPACITOR | 0.1uF 16V K | 1 | |
| | C5534 | CK73HXR1C105K | C CAPACITOR | 1uF 16V K | 1 | |
| | C5535 | CK73HXR1C105K | C CAPACITOR | 1uF 16V K | 1 | |
| | C5536 | CK73HXR1C105K | C CAPACITOR | 1uF 16V K | 1 | |
| | C5537 | CK73HXR1C105K | C CAPACITOR | 1uF 16V K | 1 | |
| | C5538 | CK73FXR1C106K | C CAPACITOR | 10uF 16V K | 1 | |
| | C5539 | CK73JXR1C104K | C CAPACITOR | 0.1uF 16V K | 1 | |
| | C5541 | CK73JXR1C104K | C CAPACITOR | 0.1uF 16V K | 1 | K1 |
| | C5542 | CK73JXR1C104K | C CAPACITOR | 0.1uF 16V K | 1 | K1 |
| | C5543 | CK73JXR1C104K | C CAPACITOR | 0.1uF 16V K | 1 | |
| | C5544 | CK73JXR1C104K | C CAPACITOR | 0.1uF 16V K | 1 | K1 |
| | C5545 | CK73JXR1C104K | C CAPACITOR | 0.1uF 16V K | 1 | K1 |
| | C5546 | CK73HXR1C105K | C CAPACITOR | 1uF 16V K | 1 | K1 |
| | C5547 | CK73JXR1C104K | C CAPACITOR | 0.1uF 16V K | 1 | |
| | C5548 | CK73JXR1C104K | C CAPACITOR | 0.1uF 16V K | 1 | |
| | C5549 | CK73HXR1C105K | C CAPACITOR | 1uF 16V K | 1 | |
| | C5550 | CK73JXR1C104K | C CAPACITOR | 0.1uF 16V K | 1 | |
| | C5551 | CK73JXR1C104K | C CAPACITOR | 0.1uF 16V K | 1 | K1 |
| | C5552 | CK73JXR1C104K | C CAPACITOR | 0.1uF 16V K | 1 | K1 |
| | C5553 | CK73JXR1C104K | C CAPACITOR | 0.1uF 16V K | 1 | |
| | C5632 | CK73JXR1C104K | C CAPACITOR | 0.1uF 16V K | 1 | |
| | C5701 | CK73JXR1C104K | C CAPACITOR | 0.1uF 16V K | 1 | |
| | C5704 | CC73JCH1H080C | C CAPACITOR | 8pF 50V C | 1 | |
| | C5705 | CC73JCH1H080C | C CAPACITOR | 8pF 50V C | 1 | |
| | C5710 | CK73JXR1C104K | C CAPACITOR | 0.1uF 16V K | 1 | |
| | C5711 | CK73JXR1C104K | C CAPACITOR | 0.1uF 16V K | 1 | |
| | C5712 | CK73JXR1C104K | C CAPACITOR | 0.1uF 16V K | 1 | |
| | C5713 | CK73JXR1C104K | C CAPACITOR | 0.1uF 16V K | 1 | |
| | C5714 | CK73JXR1C104K | C CAPACITOR | 0.1uF 16V K | 1 | |
| | C5715 | CK73JXR1C104K | C CAPACITOR | 0.1uF 16V K | 1 | |
| | C5716 | CK73JXR1C104K | C CAPACITOR | 0.1uF 16V K | 1 | |
| | C5717 | CK73JXR1C104K | C CAPACITOR | 0.1uF 16V K | 1 | |
| | C5718 | CK73JXR1C104K | C CAPACITOR | 0.1uF 16V K | 1 | |
| | C5719 | CK73JXR1C104K | C CAPACITOR | 0.1uF 16V K | 1 | |
| | C5720 | CK73JXR1C104K | C CAPACITOR | 0.1uF 16V K | 1 | |
| | C5721 | CK73JXR1C104K | C CAPACITOR | 0.1uF 16V K | 1 | |
| | C5722 | CK73JXR1C104K | C CAPACITOR | 0.1uF 16V K | 1 | |
| | C5723 | CK73JXR1C104K | C CAPACITOR | 0.1uF 16V K | 1 | |
| | C5724 | CK73JXR1C104K | C CAPACITOR | 0.1uF 16V K | 1 | |
| | C5725 | CK73JXR1C104K | C CAPACITOR | 0.1uF 16V K | 1 | |
| | C5726 | CK73JXR1C104K | C CAPACITOR | 0.1uF 16V K | 1 | |
| | C5727 | CK73JXR1C104K | C CAPACITOR | 0.1uF 16V K | 1 | |
| | C5728 | CK73JXR1C104K | C CAPACITOR | 0.1uF 16V K | 1 | |
| | C5729 | CK73JXR1C104K | C CAPACITOR | 0.1uF 16V K | 1 | |
| | C5730 | CK73FXR1C106K | C CAPACITOR | 10uF 16V K | 1 | |
| | C5731 | CK73FXR1C106K | C CAPACITOR | 10uF 16V K | 1 | |
| | C5732 | CK73JXR1H102K | C CAPACITOR | 1000pF 50V K | 1 | |
| | C5740 | CK73FXR1C106K | C CAPACITOR | 10uF 16V K | 1 | |
| | C5741 | CK73FXR1C106K | C CAPACITOR | 10uF 16V K | 1 | |
| | C5801 | CK73HXR1H102K | C CAPACITOR | 1000pF 50V K | 1 | |
| | C5903 | CK73EXR1E106K | C CAPACITOR | 10uF 25V K | 1 | |
| | C5904 | CK73EXR1E106K | C CAPACITOR | 10uF 25V K | 1 | |
| | C5905 | CK73GXR1E224K | C CAPACITOR | 0.22uF 25V K | 1 | |
| | C5907 | CK73HXR1H104K | C CAPACITOR | 0.1uF 50V K | 1 | |
| | C5908 | CK73HXR1H104K | C CAPACITOR | 0.1uF 50V K | 1 | |
| | C5910 | CC73HCH1H101J | C CAPACITOR | 100pF 50V J | 1 | |
| | C5911 | CK73EXR0J476M | C CAPACITOR | 47uF 6.3V M | 1 | |
| | C5912 | CK73EXR0J476M | C CAPACITOR | 47uF 6.3V M | 1 | |
| | C5913 | CC73JCH1H221J | C CAPACITOR | 220pF 50V J | 1 | |
| | C5916 | CK73EXR1E106K | C CAPACITOR | 10uF 25V K | 1 | |
| | C5917 | CK73EXR1E106K | C CAPACITOR | 10uF 25V K | 1 | |
| | C5918 | CK73GXR1E224K | C CAPACITOR | 0.22uF 25V K | 1 | |
| | C5920 | CK73HXR1H104K | C CAPACITOR | 0.1uF 50V K | 1 | |
| | C5921 | CK73HXR1H104K | C CAPACITOR | 0.1uF 50V K | 1 | |
| | C5923 | CC73JCH1H470J | C CAPACITOR | 47pF 50V J | 1 | |
| | C5924 | CK73EXR0J476M | C CAPACITOR | 47uF 6.3V M | 1 | |
| | C5925 | CK73EXR0J476M | C CAPACITOR | 47uF 6.3V M | 1 | |
| | C5926 | CC73JCH1H221J | C CAPACITOR | 220pF 50V J | 1 | |
| | C5933 | CK73HXR1C105K | C CAPACITOR | 1uF 16V K | 1 | |
| | C5934 | CK73HXR1C105K | C CAPACITOR | 1uF 16V K | 1 | |
| | C5936 | CK73FXR1C106K | C CAPACITOR | 10uF 16V K | 1 | |
| | C5937 | CK73FXR1C106K | C CAPACITOR | 10uF 16V K | 1 | |
| | C5938 | CK73FXR1C106K | C CAPACITOR | 10uF 16V K | 1 | |
| | C5939 | CK73FXR1C106K | C CAPACITOR | 10uF 16V K | 1 | |
| | C5940 | CK73FXR1C106K | C CAPACITOR | 10uF 16V K | 1 | |

| MODEL | MARK | MODEL | MARK |
|----------|------|----------|------|
| DDX8706S | K2 | DDX8906S | K1 |

| Safe | Symbol No. | Parts No. | Parts Name | Description | QTY | Local |
|------|------------|---------------|-------------|---------------|-----|-------|
| | C5941 | CK73FXR1C106K | C CAPACITOR | 10uF 16V K | 1 | |
| | C5951 | CK73JXR1C104K | C CAPACITOR | 0.1uF 16V K | 1 | |
| | C5961 | CC73JCH1H220J | C CAPACITOR | 22pF 50V J | 1 | |
| | C5972 | CK73EXR1E106K | C CAPACITOR | 10uF 25V K | 1 | |
| | C5973 | CK73EXR1E106K | C CAPACITOR | 10uF 25V K | 1 | |
| | C5974 | CK73GXR1E224K | C CAPACITOR | 0.22uF 25V K | 1 | |
| | C5975 | CK73HXR1H104K | C CAPACITOR | 0.1uF 50V K | 1 | |
| | C5976 | CK73HXR1H104K | C CAPACITOR | 0.1uF 50V K | 1 | |
| | C5979 | CC73JCH1H560J | C CAPACITOR | 56pF 50V J | 1 | |
| | C5980 | CK73EXR0J476M | C CAPACITOR | 47uF 6.3V M | 1 | |
| | C5981 | CK73EXR0J476M | C CAPACITOR | 47uF 6.3V M | 1 | |
| | C5982 | CC73JCH1H221J | C CAPACITOR | 220pF 50V J | 1 | |
| | C6020 | CC73HCH1H470J | C CAPACITOR | 47pF 50V J | 1 | |
| | C6025 | CC73JCH1H221J | C CAPACITOR | 220pF 50V J | 1 | |
| | C6026 | CK73FXR1C106K | C CAPACITOR | 10uF 16V K | 1 | |
| | C6027 | CC73JCH1H221J | C CAPACITOR | 220pF 50V J | 1 | |
| | C6028 | CK73JXR1C104K | C CAPACITOR | 0.1uF 16V K | 1 | |
| | C6029 | CK73JXR1H103K | C CAPACITOR | 0.01uF 50V K | 1 | |
| | C6030 | CK73JXR1C104K | C CAPACITOR | 0.1uF 16V K | 1 | |
| | C6032 | CC73HCH1H470J | C CAPACITOR | 47pF 50V J | 1 | |
| | C6203 | CK73EXR1E106K | C CAPACITOR | 10uF 25V K | 1 | |
| | C6204 | CK73EXR1E106K | C CAPACITOR | 10uF 25V K | 1 | |
| | C6205 | CK73GXR1E224K | C CAPACITOR | 0.22uF 25V K | 1 | |
| | C6206 | CK73HXR1H104K | C CAPACITOR | 0.1uF 50V K | 1 | |
| | C6207 | CK73HXR1H104K | C CAPACITOR | 0.1uF 50V K | 1 | |
| | C6210 | CC73JCH1H560J | C CAPACITOR | 56pF 50V J | 1 | |
| | C6211 | CK73EXR1A476K | C CAPACITOR | 47uF 10V K | 1 | |
| | C6212 | CK73EXR1A476K | C CAPACITOR | 47uF 10V K | 1 | |
| | C6213 | CC73JCH1H221J | C CAPACITOR | 220pF 50V J | 1 | |
| | C6301 | CK73JXR1H103K | C CAPACITOR | 0.01uF 50V K | 1 | |
| | C8001 | CC73HCH1H100D | C CAPACITOR | 10pF 50V D | 1 | |
| | C8002 | CC73JCH1H100D | C CAPACITOR | 10pF 50V D | 1 | |
| | C8003 | CC73JCH1H100D | C CAPACITOR | 10pF 50V D | 1 | |
| | C8004 | CK73JXR1C104K | C CAPACITOR | 0.1uF 16V K | 1 | |
| | C8005 | CC73JCH1H100D | C CAPACITOR | 10pF 50V D | 1 | |
| | C8006 | CK73JXR1C104K | C CAPACITOR | 0.1uF 16V K | 1 | |
| | C8007 | CK73HXR1C105K | C CAPACITOR | 1uF 16V K | 1 | |
| | C8008 | CC73JCH1H100D | C CAPACITOR | 10pF 50V D | 1 | |
| | C8009 | CC73HCH1H100D | C CAPACITOR | 10pF 50V D | 1 | |
| | C8010 | CC73JCH1H100D | C CAPACITOR | 10pF 50V D | 1 | |
| | C8011 | CC73JCH1H100D | C CAPACITOR | 10pF 50V D | 1 | |
| | C8012 | CC73JCH1H100D | C CAPACITOR | 10pF 50V D | 1 | |
| | C8013 | CC73JCH1H150J | C CAPACITOR | 15pF 50V J | 1 | |
| | C8014 | CC73JCH1H100D | C CAPACITOR | 10pF 50V D | 1 | |
| | C8015 | CK73JXR1C104K | C CAPACITOR | 0.1uF 16V K | 1 | |
| | C8016 | CK73GXR1A475K | C CAPACITOR | 4.7uF 10V K | 1 | |
| | C8017 | CK73GXR1A475K | C CAPACITOR | 4.7uF 10V K | 1 | |
| | C8018 | CK73JXR1C104K | C CAPACITOR | 0.1uF 16V K | 1 | |
| | C8019 | CK73GXR1A475K | C CAPACITOR | 4.7uF 10V K | 1 | |
| | C8021 | CK73GXR1C225K | C CAPACITOR | 2.2uF 16V K | 1 | |
| | C8022 | CK73JXR1C104K | C CAPACITOR | 0.1uF 16V K | 1 | |
| | C8101 | CC73HCH1H030C | C CAPACITOR | 3pF 50V C | 1 | |
| | C8102 | CC73HCH1H0R5C | C CAPACITOR | 0.5pF 50V C | 1 | |
| | C8103 | CC73HCH1H100D | C CAPACITOR | 10pF 50V D | 1 | |
| | C8105 | CC73HCH1H020C | C CAPACITOR | 2pF 50V C | 1 | |
| | C8106 | CC73HCH1H010C | C CAPACITOR | 1pF 50V C | 1 | |
| | C8107 | CC73HCH1H060D | C CAPACITOR | 6pF 50V D | 1 | |
| | C8109 | CK73JXR1H103K | C CAPACITOR | 0.01uF 50V K | 1 | |
| | C8110 | CK73HXR1C105K | C CAPACITOR | 1uF 16V K | 1 | |
| | C8111 | CK73HXR1C105K | C CAPACITOR | 1uF 16V K | 1 | |
| | R632 | RK73HH1J271D | MG RESISTOR | 270Ω 1/16W D | 1 | |
| | R633 | RK73HH1J750D | MG RESISTOR | 75Ω 1/16W D | 1 | |
| | R5003 | RK73HB1J000J | MG RESISTOR | 0Ω 1/16W J | 1 | |
| | R5004 | RK73HB1J000J | MG RESISTOR | 0Ω 1/16W J | 1 | |
| | R5005 | RK73HB1J103J | MG RESISTOR | 10kΩ 1/16W J | 1 | |
| | R5006 | RK73HB1J105J | MG RESISTOR | 1MΩ 1/16W J | 1 | |
| | R5007 | RK73HB1J103J | MG RESISTOR | 10kΩ 1/16W J | 1 | |
| | R5008 | RK73HB1J101J | MG RESISTOR | 100Ω 1/16W J | 1 | |
| | R5012 | RK73HB1J752J | MG RESISTOR | 7.5kΩ 1/16W J | 1 | |
| | R5016 | RK73HB1J103J | MG RESISTOR | 10kΩ 1/16W J | 1 | |
| | R5017 | RK73HB1J103J | MG RESISTOR | 10kΩ 1/16W J | 1 | |
| | R5018 | RK73HB1J103J | MG RESISTOR | 10kΩ 1/16W J | 1 | |
| | R5023 | RK73HB1J472J | MG RESISTOR | 4.7kΩ 1/16W J | 1 | |
| | R5024 | RK73HB1J470J | MG RESISTOR | 47Ω 1/16W J | 1 | |
| | R5025 | RK73HB1J470J | MG RESISTOR | 47Ω 1/16W J | 1 | |
| | R5026 | RK73HB1J470J | MG RESISTOR | 47Ω 1/16W J | 1 | |
| | R5027 | RK73HH1J432D | MG RESISTOR | 4.3kΩ 1/16W D | 1 | |
| | R5028 | RK73HB1J103J | MG RESISTOR | 10kΩ 1/16W J | 1 | |
| | R5030 | RK73HB1J470J | MG RESISTOR | 47Ω 1/16W J | 1 | |
| | R5031 | RK73HB1J470J | MG RESISTOR | 47Ω 1/16W J | 1 | |
| | R5032 | RK73HB1J470J | MG RESISTOR | 47Ω 1/16W J | 1 | |
| | R5034 | RK73HB1J182J | MG RESISTOR | 1.8kΩ 1/16W J | 1 | |
| | R5036 | RK73HB1J472J | MG RESISTOR | 4.7kΩ 1/16W J | 1 | |
| | R5037 | RK73HB1J470J | MG RESISTOR | 47Ω 1/16W J | 1 | |
| | R5038 | RK73HB1J470J | MG RESISTOR | 47Ω 1/16W J | 1 | |
| | R5039 | RK73HB1J182J | MG RESISTOR | 1.8kΩ 1/16W J | 1 | |
| | R5040 | RK73HB1J103J | MG RESISTOR | 10kΩ 1/16W J | 1 | |
| | R5041 | RK73HB1J103J | MG RESISTOR | 10kΩ 1/16W J | 1 | |
| | R5042 | RK73HH1J102D | MG RESISTOR | 1kΩ 1/16W D | 1 | |
| | R5043 | RK73HH1J102D | MG RESISTOR | 1kΩ 1/16W D | 1 | |
| | R5044 | RK73HB1J473J | MG RESISTOR | 47kΩ 1/16W J | 1 | |
| | R5046 | RK73HH1J201D | MG RESISTOR | 200Ω 1/16W D | 1 | |
| | R5047 | RK73HB1J272J | MG RESISTOR | 2.7kΩ 1/16W J | 1 | |

| MODEL | MARK | MODEL | MARK |
|----------|------|----------|------|
| DDX8706S | K2 | DDX8906S | K1 |

| Safe | Symbol No. | Parts No. | Parts Name | Description | QTY | Local |
|------|------------|--------------|-------------|---------------|-----|-------|
| | R5048 | RK73HB1J102J | MG RESISTOR | 1kΩ 1/16W J | 1 | |
| | R5049 | RK73HH1J201D | MG RESISTOR | 200Ω 1/16W D | 1 | |
| | R5050 | RK73HB1J102J | MG RESISTOR | 1kΩ 1/16W J | 1 | |
| | R5051 | RK73HB1J272J | MG RESISTOR | 2.7kΩ 1/16W J | 1 | |
| | R5052 | RK73HB1J472J | MG RESISTOR | 4.7kΩ 1/16W J | 1 | |
| | R5053 | RK73HB1J472J | MG RESISTOR | 4.7kΩ 1/16W J | 1 | |
| | R5054 | RK73HB1J103J | MG RESISTOR | 10kΩ 1/16W J | 1 | |
| | R5056 | RK73HB1J472J | MG RESISTOR | 4.7kΩ 1/16W J | 1 | |
| | R5058 | RK73HB1J473J | MG RESISTOR | 47kΩ 1/16W J | 1 | |
| | R5059 | RK73HB1J272J | MG RESISTOR | 2.7kΩ 1/16W J | 1 | |
| | R5060 | RK73HB1J472J | MG RESISTOR | 4.7kΩ 1/16W J | 1 | |
| | R5062 | RK73HB1J472J | MG RESISTOR | 4.7kΩ 1/16W J | 1 | |
| | R5064 | RK73HB1J472J | MG RESISTOR | 4.7kΩ 1/16W J | 1 | |
| | R5068 | RK73HB1J103J | MG RESISTOR | 10kΩ 1/16W J | 1 | |
| | R5072 | RK73HB1J103J | MG RESISTOR | 10kΩ 1/16W J | 1 | |
| | R5073 | RK73HH1J104D | MG RESISTOR | 100kΩ 1/16W D | 1 | |
| | R5075 | RK73HB1J103J | MG RESISTOR | 10kΩ 1/16W J | 1 | |
| | R5076 | RK73HB1J103J | MG RESISTOR | 10kΩ 1/16W J | 1 | |
| | R5077 | RK73HH1J241D | MG RESISTOR | 240Ω 1/16W D | 1 | |
| | R5081 | RK73HB1J000J | MG RESISTOR | 0Ω 1/16W J | 1 | |
| | R5092 | RK73HB1J103J | MG RESISTOR | 10kΩ 1/16W J | 1 | |
| | R5094 | RK73HB1J103J | MG RESISTOR | 10kΩ 1/16W J | 1 | |
| | R5095 | RK73HB1J103J | MG RESISTOR | 10kΩ 1/16W J | 1 | |
| | R5097 | RK73HB1J223J | MG RESISTOR | 22kΩ 1/16W J | 1 | |
| | R5100 | RK73HB1J103J | MG RESISTOR | 10kΩ 1/16W J | 1 | |
| | R5101 | RK73HB1J103J | MG RESISTOR | 10kΩ 1/16W J | 1 | |
| | R5102 | RK73HB1J103J | MG RESISTOR | 10kΩ 1/16W J | 1 | |
| | R5103 | RK73HB1J103J | MG RESISTOR | 10kΩ 1/16W J | 1 | |
| | R5104 | RK73HB1J472J | MG RESISTOR | 4.7kΩ 1/16W J | 1 | |
| | R5105 | RK73HB1J103J | MG RESISTOR | 10kΩ 1/16W J | 1 | |
| | R5106 | RK73HB1J472J | MG RESISTOR | 4.7kΩ 1/16W J | 1 | |
| | R5109 | RK73HB1J182J | MG RESISTOR | 1.8kΩ 1/16W J | 1 | |
| | R5112 | RK73HB1J103J | MG RESISTOR | 10kΩ 1/16W J | 1 | |
| | R5113 | RK73HB1J103J | MG RESISTOR | 10kΩ 1/16W J | 1 | |
| | R5114 | RK73HB1J103J | MG RESISTOR | 10kΩ 1/16W J | 1 | |
| | R5115 | RK73HB1J103J | MG RESISTOR | 10kΩ 1/16W J | 1 | |
| | R5116 | RK73HB1J182J | MG RESISTOR | 1.8kΩ 1/16W J | 1 | |
| | R5117 | RK73HB1J103J | MG RESISTOR | 10kΩ 1/16W J | 1 | |
| | R5118 | RK73HB1J103J | MG RESISTOR | 10kΩ 1/16W J | 1 | |
| | R5119 | RK73HB1J103J | MG RESISTOR | 10kΩ 1/16W J | 1 | |
| | R5120 | RK73HB1J272J | MG RESISTOR | 2.7kΩ 1/16W J | 1 | |
| | R5121 | RK73HB1J103J | MG RESISTOR | 10kΩ 1/16W J | 1 | |
| | R5122 | RK73HB1J103J | MG RESISTOR | 10kΩ 1/16W J | 1 | |
| | R5123 | RK73HB1J103J | MG RESISTOR | 10kΩ 1/16W J | 1 | |
| | R5124 | RK73HB1J272J | MG RESISTOR | 2.7kΩ 1/16W J | 1 | |
| | R5126 | RK73HB1J103J | MG RESISTOR | 10kΩ 1/16W J | 1 | |
| | R5127 | RK73HB1J103J | MG RESISTOR | 10kΩ 1/16W J | 1 | |
| | R5128 | RK73HB1J103J | MG RESISTOR | 10kΩ 1/16W J | 1 | |
| | R5130 | RK73HB1J101J | MG RESISTOR | 100Ω 1/16W J | 1 | |
| | R5131 | RK73HB1J101J | MG RESISTOR | 100Ω 1/16W J | 1 | |
| | R5145 | RK73HH1J123D | MG RESISTOR | 12kΩ 1/16W D | 1 | |
| | R5146 | RK73HH1J243D | MG RESISTOR | 24kΩ 1/16W D | 1 | |
| | R5151 | RK73HB1J103J | MG RESISTOR | 10kΩ 1/16W J | 1 | |
| | R5153 | RK73HB1J000J | MG RESISTOR | 0Ω 1/16W J | 1 | |
| | R5154 | RK73HB1J101J | MG RESISTOR | 100Ω 1/16W J | 1 | |
| | R5155 | RK73HB1J101J | MG RESISTOR | 100Ω 1/16W J | 1 | |
| | R5156 | RK73HB1J473J | MG RESISTOR | 47kΩ 1/16W J | 1 | |
| | R5157 | RK73HB1J272J | MG RESISTOR | 2.7kΩ 1/16W J | 1 | |
| | R5203 | RK73HB1J103J | MG RESISTOR | 10kΩ 1/16W J | 1 | |
| | R5204 | RK73HB1J472J | MG RESISTOR | 4.7kΩ 1/16W J | 1 | |
| | R5205 | RK73HB1J102J | MG RESISTOR | 1kΩ 1/16W J | 1 | |
| | R5206 | RK73HB1J103J | MG RESISTOR | 10kΩ 1/16W J | 1 | |
| | R5207 | RK73HB1J103J | MG RESISTOR | 10kΩ 1/16W J | 1 | |
| | R5220 | RK73HB1J680J | MG RESISTOR | 68Ω 1/16W J | 1 | |
| | R5221 | RK73HB1J680J | MG RESISTOR | 68Ω 1/16W J | 1 | |
| | R5222 | RK73HB1J680J | MG RESISTOR | 68Ω 1/16W J | 1 | |
| | R5223 | RK73HB1J680J | MG RESISTOR | 68Ω 1/16W J | 1 | |
| | R5224 | RK73HB1J680J | MG RESISTOR | 68Ω 1/16W J | 1 | |
| | R5225 | RK73HB1J680J | MG RESISTOR | 68Ω 1/16W J | 1 | |
| | R5226 | RK73HB1J680J | MG RESISTOR | 68Ω 1/16W J | 1 | |
| | R5227 | RK73HB1J680J | MG RESISTOR | 68Ω 1/16W J | 1 | |
| | R5231 | RK73HB1J680J | MG RESISTOR | 68Ω 1/16W J | 1 | |
| | R5232 | RK73HB1J680J | MG RESISTOR | 68Ω 1/16W J | 1 | |
| | R5233 | RK73HB1J680J | MG RESISTOR | 68Ω 1/16W J | 1 | |
| | R5234 | RK73HB1J680J | MG RESISTOR | 68Ω 1/16W J | 1 | |
| | R5236 | RK73HB1J680J | MG RESISTOR | 68Ω 1/16W J | 1 | |
| | R5237 | RK73HB1J680J | MG RESISTOR | 68Ω 1/16W J | 1 | |
| | R5238 | RK73HB1J680J | MG RESISTOR | 68Ω 1/16W J | 1 | |
| | R5265 | RK73HB1J103J | MG RESISTOR | 10kΩ 1/16W J | 1 | |
| | R5266 | RK73HB1J473J | MG RESISTOR | 47kΩ 1/16W J | 1 | |
| | R5268 | RK73HB1J101J | MG RESISTOR | 100Ω 1/16W J | 1 | |
| | R5269 | RK73HB1J220J | MG RESISTOR | 22Ω 1/16W J | 1 | |
| | R5270 | RK73HB1J100J | MG RESISTOR | 10Ω 1/16W J | 1 | |
| | R5271 | RK73HB1J220J | MG RESISTOR | 22Ω 1/16W J | 1 | |
| | R5272 | RK73HB1J220J | MG RESISTOR | 22Ω 1/16W J | 1 | |
| | R5273 | RK73HB1J220J | MG RESISTOR | 22Ω 1/16W J | 1 | |
| | R5274 | RK73HB1J220J | MG RESISTOR | 22Ω 1/16W J | 1 | |
| | R5275 | RK73HB1J220J | MG RESISTOR | 22Ω 1/16W J | 1 | |
| | R5276 | RK73HB1J220J | MG RESISTOR | 22Ω 1/16W J | 1 | |
| | R5277 | RK73HB1J220J | MG RESISTOR | 22Ω 1/16W J | 1 | |
| | R5278 | RK73HB1J220J | MG RESISTOR | 22Ω 1/16W J | 1 | |
| | R5301 | RK73HH1J102D | MG RESISTOR | 1kΩ 1/16W D | 1 | |

| | | | |
|----------|------|----------|------|
| MODEL | MARK | MODEL | MARK |
| DDX8706S | K2 | DDX8906S | K1 |

| Safe | Symbol No. | Parts No. | Parts Name | Description | QTY | Local |
|------|------------|--------------|-------------|---------------|-----|-------|
| | R5302 | RK73HH1J102D | MG RESISTOR | 1kΩ 1/16W D | 1 | |
| | R5303 | RK73HH1J102D | MG RESISTOR | 1kΩ 1/16W D | 1 | |
| | R5304 | RK73HH1J102D | MG RESISTOR | 1kΩ 1/16W D | 1 | |
| | R5305 | RK73HH1J241D | MG RESISTOR | 240Ω 1/16W D | 1 | |
| | R5306 | RK73HH1J102D | MG RESISTOR | 1kΩ 1/16W D | 1 | |
| | R5307 | RK73HH1J102D | MG RESISTOR | 1kΩ 1/16W D | 1 | |
| | R5308 | RK73HH1J102D | MG RESISTOR | 1kΩ 1/16W D | 1 | |
| | R5309 | RK73HH1J102D | MG RESISTOR | 1kΩ 1/16W D | 1 | |
| | R5310 | RK73HH1J241D | MG RESISTOR | 240Ω 1/16W D | 1 | |
| | R5311 | RK73HH1J201D | MG RESISTOR | 200Ω 1/16W D | 1 | |
| | R5312 | RK73HH1J201D | MG RESISTOR | 200Ω 1/16W D | 1 | |
| | R5401 | RK73HH1J101D | MG RESISTOR | 100Ω 1/16W D | 1 | |
| | R5402 | RK73HH1J101D | MG RESISTOR | 100Ω 1/16W D | 1 | |
| | R5403 | RK73HH1J101D | MG RESISTOR | 100Ω 1/16W D | 1 | |
| | R5404 | RK73HH1J101D | MG RESISTOR | 100Ω 1/16W D | 1 | |
| | R5405 | RK73HH1J101D | MG RESISTOR | 100Ω 1/16W D | 1 | |
| | R5407 | RK73HB1J330J | MG RESISTOR | 33Ω 1/16W J | 1 | |
| | R5413 | RK73GB2A000J | MG RESISTOR | 0Ω 1/10W J | 1 | |
| | R5422 | RK73HH1J201D | MG RESISTOR | 200Ω 1/16W D | 1 | |
| | R5424 | RK73HH1J201D | MG RESISTOR | 200Ω 1/16W D | 1 | |
| | R5425 | RK73HH1J201D | MG RESISTOR | 200Ω 1/16W D | 1 | |
| | R5428 | RK73HB1J473J | MG RESISTOR | 47kΩ 1/16W J | 1 | |
| | R5429 | RK73HB1J102J | MG RESISTOR | 1kΩ 1/16W J | 1 | |
| | R5430 | RK73HB1J105J | MG RESISTOR | 1MΩ 1/16W J | 1 | |
| | R5434 | RK73HB1J000J | MG RESISTOR | 0Ω 1/16W J | 1 | |
| | R5435 | RK73HB1J101J | MG RESISTOR | 100Ω 1/16W J | 1 | |
| | R5444 | RK73HB1J103J | MG RESISTOR | 10kΩ 1/16W J | 1 | |
| | R5445 | RK73HB1J000J | MG RESISTOR | 0Ω 1/16W J | 1 | |
| | R5450 | RK73HB1J000J | MG RESISTOR | 0Ω 1/16W J | 1 | |
| | R5451 | RK73HB1J000J | MG RESISTOR | 0Ω 1/16W J | 1 | |
| | R5452 | RK73HB1J000J | MG RESISTOR | 0Ω 1/16W J | 1 | |
| | R5453 | RK73HB1J000J | MG RESISTOR | 0Ω 1/16W J | 1 | |
| | R5461 | RK73HB1J224J | MG RESISTOR | 220kΩ 1/16W J | 1 | |
| | R5462 | RK73HB1J472J | MG RESISTOR | 4.7kΩ 1/16W J | 1 | |
| | R5463 | RK73HB1J472J | MG RESISTOR | 4.7kΩ 1/16W J | 1 | |
| | R5471 | RK73HB1J103J | MG RESISTOR | 10kΩ 1/16W J | 1 | |
| | R5473 | RK73HB1J103J | MG RESISTOR | 10kΩ 1/16W J | 1 | |
| | R5474 | RK73HB1J101J | MG RESISTOR | 100Ω 1/16W J | 1 | |
| | R5481 | RK73HB1J330J | MG RESISTOR | 33Ω 1/16W J | 1 | |
| | R5482 | RK73HB1J330J | MG RESISTOR | 33Ω 1/16W J | 1 | |
| | R5483 | RK73HB1J330J | MG RESISTOR | 33Ω 1/16W J | 1 | |
| | R5484 | RK73HB1J330J | MG RESISTOR | 33Ω 1/16W J | 1 | |
| | R5498 | RK73HB1J101J | MG RESISTOR | 100Ω 1/16W J | 1 | |
| | R5501 | RK73HH1J201D | MG RESISTOR | 200Ω 1/16W D | 1 | |
| | R5502 | RK73HB1J823J | MG RESISTOR | 82kΩ 1/16W J | 1 | |
| | R5503 | RK73HB1J224J | MG RESISTOR | 220kΩ 1/16W J | 1 | |
| | R5504 | RK73HH1J201D | MG RESISTOR | 200Ω 1/16W D | 1 | |
| | R5505 | RK73HB1J823J | MG RESISTOR | 82kΩ 1/16W J | 1 | |
| | R5506 | RK73HB1J224J | MG RESISTOR | 220kΩ 1/16W J | 1 | |
| | R5507 | RK73HH1J201D | MG RESISTOR | 200Ω 1/16W D | 1 | |
| | R5508 | RK73HB1J823J | MG RESISTOR | 82kΩ 1/16W J | 1 | |
| | R5509 | RK73HB1J224J | MG RESISTOR | 220kΩ 1/16W J | 1 | |
| | R5510 | RK73HH1J201D | MG RESISTOR | 200Ω 1/16W D | 1 | |
| | R5511 | RK73HB1J823J | MG RESISTOR | 82kΩ 1/16W J | 1 | |
| | R5512 | RK73HB1J224J | MG RESISTOR | 220kΩ 1/16W J | 1 | |
| | R5521 | RK73HB1J472J | MG RESISTOR | 4.7kΩ 1/16W J | 1 | |
| | R5522 | RK73HB1J472J | MG RESISTOR | 4.7kΩ 1/16W J | 1 | |
| | R5523 | RK73HB1J472J | MG RESISTOR | 4.7kΩ 1/16W J | 1 | |
| | R5524 | RK73HB1J472J | MG RESISTOR | 4.7kΩ 1/16W J | 1 | |
| | R5525 | RK73HB1J472J | MG RESISTOR | 4.7kΩ 1/16W J | 1 | |
| | R5526 | RK73HB1J472J | MG RESISTOR | 4.7kΩ 1/16W J | 1 | |
| | R5527 | RK73HB1J472J | MG RESISTOR | 4.7kΩ 1/16W J | 1 | |
| | R5528 | RK73HB1J472J | MG RESISTOR | 4.7kΩ 1/16W J | 1 | |
| | R5529 | RK73HB1J472J | MG RESISTOR | 4.7kΩ 1/16W J | 1 | |
| | R5531 | RK73GB2A000J | MG RESISTOR | 0Ω 1/10W J | 1 | |
| | R5532 | RK73GB2A000J | MG RESISTOR | 0Ω 1/10W J | 1 | |
| | R5539 | RK73HB1J224J | MG RESISTOR | 220kΩ 1/16W J | 1 | |
| | R5541 | RK73HH1J302D | MG RESISTOR | 3kΩ 1/16W D | 1 | K1 |
| | R5542 | RK73HH1J302D | MG RESISTOR | 3kΩ 1/16W D | 1 | K1 |
| | R5543 | RK73HB1J101J | MG RESISTOR | 100Ω 1/16W J | 1 | K1 |
| | R5544 | RK73HB1J101J | MG RESISTOR | 100Ω 1/16W J | 1 | K1 |
| | R5545 | RK73HH1J302D | MG RESISTOR | 3kΩ 1/16W D | 1 | K1 |
| | R5546 | RK73HH1J302D | MG RESISTOR | 3kΩ 1/16W D | 1 | K1 |
| | R5547 | RK73HB1J101J | MG RESISTOR | 100Ω 1/16W J | 1 | K1 |
| | R5548 | RK73HB1J101J | MG RESISTOR | 100Ω 1/16W J | 1 | K1 |
| | R5549 | RK73HH1J302D | MG RESISTOR | 3kΩ 1/16W D | 1 | K1 |
| | R5550 | RK73HH1J302D | MG RESISTOR | 3kΩ 1/16W D | 1 | |
| | R5551 | RK73HB1J101J | MG RESISTOR | 100Ω 1/16W J | 1 | |
| | R5552 | RK73HB1J101J | MG RESISTOR | 100Ω 1/16W J | 1 | |
| | R5553 | RK73HH1J302D | MG RESISTOR | 3kΩ 1/16W D | 1 | |
| | R5554 | RK73HB1J101J | MG RESISTOR | 100Ω 1/16W J | 1 | |
| | R5559 | RK73HB1J104J | MG RESISTOR | 100kΩ 1/16W J | 1 | |
| | R5560 | RK73HB1J104J | MG RESISTOR | 100kΩ 1/16W J | 1 | |
| | R5561 | RK73HB1J104J | MG RESISTOR | 100kΩ 1/16W J | 1 | |
| | R5562 | RK73HB1J101J | MG RESISTOR | 100Ω 1/16W J | 1 | |
| | R5563 | RK73HB1J101J | MG RESISTOR | 100Ω 1/16W J | 1 | |
| | R5564 | RK73HB1J101J | MG RESISTOR | 100Ω 1/16W J | 1 | |
| | R5565 | RK73HB1J104J | MG RESISTOR | 100kΩ 1/16W J | 1 | K1 |
| | R5566 | RK73HB1J104J | MG RESISTOR | 100kΩ 1/16W J | 1 | K1 |
| | R5567 | RK73HB1J104J | MG RESISTOR | 100kΩ 1/16W J | 1 | K1 |
| | R5568 | RK73HB1J104J | MG RESISTOR | 100kΩ 1/16W J | 1 | K1 |
| | R5569 | RK73HB1J101J | MG RESISTOR | 100Ω 1/16W J | 1 | K1 |

| | | | |
|----------|------|----------|------|
| MODEL | MARK | MODEL | MARK |
| DDX8706S | K2 | DDX8906S | K1 |

| Safe | Symbol No. | Parts No. | Parts Name | Description | QTY | Local |
|------|------------|--------------|-------------|---------------|-----|-------|
| | R5570 | RK73HB1J101J | MG RESISTOR | 100Ω 1/16W J | 1 | K1 |
| | R5571 | RK73HB1J101J | MG RESISTOR | 100Ω 1/16W J | 1 | K1 |
| | R5572 | RK73HB1J101J | MG RESISTOR | 100Ω 1/16W J | 1 | K1 |
| | R5574 | RK73HB1J272J | MG RESISTOR | 2.7kΩ 1/16W J | 1 | |
| | R5575 | RK73HB1J104J | MG RESISTOR | 100kΩ 1/16W J | 1 | |
| | R5576 | RK73HB1J103J | MG RESISTOR | 10kΩ 1/16W J | 1 | |
| | R5641 | RK73HB1J122J | MG RESISTOR | 1.2kΩ 1/16W J | 1 | |
| | R5643 | RK73HB1J103J | MG RESISTOR | 10kΩ 1/16W J | 1 | |
| | R5644 | RK73HB1J272J | MG RESISTOR | 2.7kΩ 1/16W J | 1 | |
| | R5645 | RK73HB1J101J | MG RESISTOR | 100Ω 1/16W J | 1 | |
| | R5646 | RK73HB1J101J | MG RESISTOR | 100Ω 1/16W J | 1 | |
| | R5647 | RK73HB1J101J | MG RESISTOR | 100Ω 1/16W J | 1 | |
| | R5648 | RK73HB1J101J | MG RESISTOR | 100Ω 1/16W J | 1 | |
| | R5649 | RK73HB1J473J | MG RESISTOR | 47kΩ 1/16W J | 1 | |
| | R5651 | RK73HB1J101J | MG RESISTOR | 100Ω 1/16W J | 1 | |
| | R5658 | RK73HB1J473J | MG RESISTOR | 47kΩ 1/16W J | 1 | |
| | R5665 | RK73HB1J472J | MG RESISTOR | 4.7kΩ 1/16W J | 1 | |
| | R5666 | RK73HB1J103J | MG RESISTOR | 10kΩ 1/16W J | 1 | |
| | R5667 | RK73HB1J102J | MG RESISTOR | 1kΩ 1/16W J | 1 | |
| | R5668 | RK73HB1J472J | MG RESISTOR | 4.7kΩ 1/16W J | 1 | |
| | R5669 | RK73HB1J272J | MG RESISTOR | 2.7kΩ 1/16W J | 1 | |
| | R5670 | RK73HB1J472J | MG RESISTOR | 4.7kΩ 1/16W J | 1 | |
| | R5703 | RK73HB1J473J | MG RESISTOR | 47kΩ 1/16W J | 1 | |
| | R5704 | RK73HB1J473J | MG RESISTOR | 47kΩ 1/16W J | 1 | |
| | R5705 | RK73HB1J272J | MG RESISTOR | 2.7kΩ 1/16W J | 1 | |
| | R5709 | RK73HB1J473J | MG RESISTOR | 47kΩ 1/16W J | 1 | |
| | R5712 | RK73HB1J272J | MG RESISTOR | 2.7kΩ 1/16W J | 1 | |
| | R5713 | RK73HB1J103J | MG RESISTOR | 10kΩ 1/16W J | 1 | |
| | R5714 | RK73HB1J103J | MG RESISTOR | 10kΩ 1/16W J | 1 | |
| | R5717 | RK73HB1J103J | MG RESISTOR | 10kΩ 1/16W J | 1 | |
| | R5718 | RK73HB1J103J | MG RESISTOR | 10kΩ 1/16W J | 1 | |
| | R5719 | RK73HB1J000J | MG RESISTOR | 0Ω 1/16W J | 1 | |
| | R5723 | RK73HB1J103J | MG RESISTOR | 10kΩ 1/16W J | 1 | |
| | R5724 | RK73HB1J272J | MG RESISTOR | 2.7kΩ 1/16W J | 1 | |
| | R5727 | RK73HB1J000J | MG RESISTOR | 0Ω 1/16W J | 1 | |
| | R5729 | RK73HB1J103J | MG RESISTOR | 10kΩ 1/16W J | 1 | |
| | R5731 | RK73HB1J103J | MG RESISTOR | 10kΩ 1/16W J | 1 | |
| | R5732 | RK73HB1J103J | MG RESISTOR | 10kΩ 1/16W J | 1 | |
| | R5733 | RK73HH1J201D | MG RESISTOR | 200Ω 1/16W D | 1 | |
| | R5734 | RK73HH1J362D | MG RESISTOR | 3.6kΩ 1/16W D | 1 | |
| | R5735 | RK73HH1J222D | MG RESISTOR | 2.2kΩ 1/16W D | 1 | |
| | R5736 | RK73HH1J241D | MG RESISTOR | 240Ω 1/16W D | 1 | |
| | R5737 | RK73HB1J000J | MG RESISTOR | 0Ω 1/16W J | 1 | |
| | R5738 | RK73HB1J000J | MG RESISTOR | 0Ω 1/16W J | 1 | |
| | R5739 | RK73HB1J000J | MG RESISTOR | 0Ω 1/16W J | 1 | |
| | R5740 | RK73HB1J000J | MG RESISTOR | 0Ω 1/16W J | 1 | |
| | R5790 | RK73HB1J101J | MG RESISTOR | 100Ω 1/16W J | 1 | |
| | R5791 | RK73HB1J101J | MG RESISTOR | 100Ω 1/16W J | 1 | |
| | R5803 | RK73HB1J101J | MG RESISTOR | 100Ω 1/16W J | 1 | |
| | R5804 | RK73HB1J101J | MG RESISTOR | 100Ω 1/16W J | 1 | |
| | R5805 | RK73HB1J101J | MG RESISTOR | 100Ω 1/16W J | 1 | |
| | R5806 | RK73HB1J101J | MG RESISTOR | 100Ω 1/16W J | 1 | |
| | R5807 | RK73HB1J101J | MG RESISTOR | 100Ω 1/16W J | 1 | |
| | R5808 | RK73HB1J101J | MG RESISTOR | 100Ω 1/16W J | 1 | |
| | R5809 | RK73HB1J101J | MG RESISTOR | 100Ω 1/16W J | 1 | |
| | R5810 | RK73HB1J101J | MG RESISTOR | 100Ω 1/16W J | 1 | |
| | R5811 | RK73HB1J101J | MG RESISTOR | 100Ω 1/16W J | 1 | |
| | R5815 | RK73HB1J101J | MG RESISTOR | 100Ω 1/16W J | 1 | |
| | R5816 | RK73HB1J101J | MG RESISTOR | 100Ω 1/16W J | 1 | |
| | R5817 | RK73HB1J000J | MG RESISTOR | 0Ω 1/16W J | 1 | |
| | R5830 | RK73HB1J101J | MG RESISTOR | 100Ω 1/16W J | 1 | |
| | R5831 | RK73HB1J000J | MG RESISTOR | 0Ω 1/16W J | 1 | |
| | R5832 | RK73HB1J000J | MG RESISTOR | 0Ω 1/16W J | 1 | |
| | R5833 | RK73HB1J000J | MG RESISTOR | 0Ω 1/16W J | 1 | |
| | R5834 | RK73HB1J101J | MG RESISTOR | 100Ω 1/16W J | 1 | |
| | R5835 | RK73HB1J101J | MG RESISTOR | 100Ω 1/16W J | 1 | |
| | R5837 | RK73HB1J101J | MG RESISTOR | 100Ω 1/16W J | 1 | |
| | R5838 | RK73HB1J101J | MG RESISTOR | 100Ω 1/16W J | 1 | |
| | R5839 | RK73HB1J101J | MG RESISTOR | 100Ω 1/16W J | 1 | |
| | R5840 | RK73HB1J101J | MG RESISTOR | 100Ω 1/16W J | 1 | |
| | R5841 | RK73HB1J101J | MG RESISTOR | 100Ω 1/16W J | 1 | |
| | R5842 | RK73HB1J000J | MG RESISTOR | 0Ω 1/16W J | 1 | |
| | R5843 | RK73HB1J101J | MG RESISTOR | 100Ω 1/16W J | 1 | |
| | R5844 | RK73HB1J000J | MG RESISTOR | 0Ω 1/16W J | 1 | |
| | R5845 | RK73HB1J000J | MG RESISTOR | 0Ω 1/16W J | 1 | |
| | R5846 | RK73HB1J000J | MG RESISTOR | 0Ω 1/16W J | 1 | |
| | R5847 | RK73HB1J101J | MG RESISTOR | 100Ω 1/16W J | 1 | |
| | R5853 | RK73HB1J101J | MG RESISTOR | 100Ω 1/16W J | 1 | |
| | R5855 | RK73HB1J101J | MG RESISTOR | 100Ω 1/16W J | 1 | |
| | R5857 | RK73HB1J101J | MG RESISTOR | 100Ω 1/16W J | 1 | |
| | R5863 | RK73HB1J472J | MG RESISTOR | 4.7kΩ 1/16W J | 1 | |
| | R5864 | RK73HB1J472J | MG RESISTOR | 4.7kΩ 1/16W J | 1 | |
| | R5871 | RK73GB2A271J | MG RESISTOR | 270Ω 1/10W J | 1 | |
| | R5885 | RK73HB1J000J | MG RESISTOR | 0Ω 1/16W J | 1 | K1 |
| | R5886 | RK73HB1J000J | MG RESISTOR | 0Ω 1/16W J | 1 | K1 |
| | R5887 | RK73HB1J000J | MG RESISTOR | 0Ω 1/16W J | 1 | K1 |
| | R5888 | RK73HB1J000J | MG RESISTOR | 0Ω 1/16W J | 1 | K1 |
| | R5889 | RK73HB1J000J | MG RESISTOR | 0Ω 1/16W J | 1 | |
| | R5890 | RK73HB1J000J | MG RESISTOR | 0Ω 1/16W J | 1 | |
| | R5891 | RK73HB1J000J | MG RESISTOR | 0Ω 1/16W J | 1 | |
| | R5892 | RK73HB1J472J | MG RESISTOR | 4.7kΩ 1/16W J | 1 | |
| | R5911 | RK73HB1J000J | MG RESISTOR | 0Ω 1/16W J | 1 | |
| | R5912 | RK73HB1J000J | MG RESISTOR | 0Ω 1/16W J | 1 | |

| | | | |
|----------|------|----------|------|
| MODEL | MARK | MODEL | MARK |
| DDX8706S | K2 | DDX8906S | K1 |

| Safe | Symbol No. | Parts No. | Parts Name | Description | QTY | Local |
|------|------------|--------------|-------------|---------------|-----|-------|
| | R5915 | RK73GB2A000J | MG RESISTOR | 0Ω 1/10W J | 1 | |
| | R5918 | RK73GB2A200J | MG RESISTOR | 20Ω 1/10W J | 1 | |
| | R5920 | RK73HB1J000J | MG RESISTOR | 0Ω 1/16W J | 1 | |
| | R5921 | RK73HB1J000J | MG RESISTOR | 0Ω 1/16W J | 1 | |
| | R5922 | RK73HH1J102D | MG RESISTOR | 1kΩ 1/16W D | 1 | |
| | R5923 | RK73HH1J222D | MG RESISTOR | 2.2kΩ 1/16W D | 1 | |
| | R5924 | RK73HH1J393D | MG RESISTOR | 39kΩ 1/16W D | 1 | |
| | R5925 | RK73HH1J123D | MG RESISTOR | 12kΩ 1/16W D | 1 | |
| | R5926 | RK73GB2A331J | MG RESISTOR | 330Ω 1/10W J | 1 | |
| | R5927 | RK73HB1J101J | MG RESISTOR | 100Ω 1/16W J | 1 | |
| | R5928 | RK73GB2A200J | MG RESISTOR | 20Ω 1/10W J | 1 | |
| | R5930 | RK73HH1J273D | MG RESISTOR | 27kΩ 1/16W D | 1 | |
| | R5931 | RK73HB1J000J | MG RESISTOR | 0Ω 1/16W J | 1 | |
| | R5932 | RK73HH1J563D | MG RESISTOR | 56kΩ 1/16W D | 1 | |
| | R5933 | RK73HH1J222D | MG RESISTOR | 2.2kΩ 1/16W D | 1 | |
| | R5934 | RK73HH1J393D | MG RESISTOR | 39kΩ 1/16W D | 1 | |
| | R5935 | RK73HH1J823D | MG RESISTOR | 82kΩ 1/16W D | 1 | |
| | R5942 | RK73GB2A200J | MG RESISTOR | 20Ω 1/10W J | 1 | |
| | R5943 | RK73HB1J000J | MG RESISTOR | 0Ω 1/16W J | 1 | |
| | R5944 | RK73HH1J222D | MG RESISTOR | 2.2kΩ 1/16W D | 1 | |
| | R5945 | RK73HH1J393D | MG RESISTOR | 39kΩ 1/16W D | 1 | |
| | R5946 | RK73HH1J823D | MG RESISTOR | 82kΩ 1/16W D | 1 | |
| | R5947 | RK73HH1J243D | MG RESISTOR | 24kΩ 1/16W D | 1 | |
| | R5948 | RK73HB1J000J | MG RESISTOR | 0Ω 1/16W J | 1 | |
| | R5949 | RK73HH1J273D | MG RESISTOR | 27kΩ 1/16W D | 1 | |
| | R5951 | RK73HB1J101J | MG RESISTOR | 100Ω 1/16W J | 1 | |
| | R5954 | RK73HH1J183D | MG RESISTOR | 18kΩ 1/16W D | 1 | |
| | R5955 | RK73HH1J153D | MG RESISTOR | 15kΩ 1/16W D | 1 | |
| | R5956 | RK73HH1J751D | MG RESISTOR | 750Ω 1/16W D | 1 | |
| | R5960 | RK73HB1J102J | MG RESISTOR | 1kΩ 1/16W J | 1 | |
| | R5961 | RK73HB1J473J | MG RESISTOR | 47kΩ 1/16W J | 1 | |
| | R5964 | RK73HB1J101J | MG RESISTOR | 100Ω 1/16W J | 1 | |
| | R5966 | RK73HB1J221J | MG RESISTOR | 220Ω 1/16W J | 1 | |
| | R5970 | RK73GB2A331J | MG RESISTOR | 330Ω 1/10W J | 1 | |
| | R5971 | RK73GB2A331J | MG RESISTOR | 330Ω 1/10W J | 1 | |
| | R6002 | RK73HB1J101J | MG RESISTOR | 100Ω 1/16W J | 1 | |
| | R6003 | RK73HB1J101J | MG RESISTOR | 100Ω 1/16W J | 1 | |
| | R6004 | RK73HB1J101J | MG RESISTOR | 100Ω 1/16W J | 1 | |
| | R6005 | RK73HB1J101J | MG RESISTOR | 100Ω 1/16W J | 1 | |
| | R6006 | RK73HB1J330J | MG RESISTOR | 33Ω 1/16W J | 1 | |
| | R6007 | RK73HB1J330J | MG RESISTOR | 33Ω 1/16W J | 1 | |
| | R6009 | RK73HB1J101J | MG RESISTOR | 100Ω 1/16W J | 1 | |
| | R6010 | RK73HB1J101J | MG RESISTOR | 100Ω 1/16W J | 1 | |
| | R6011 | RK73HB1J101J | MG RESISTOR | 100Ω 1/16W J | 1 | |
| | R6012 | RK73HB1J101J | MG RESISTOR | 100Ω 1/16W J | 1 | |
| | R6013 | RK73HB1J101J | MG RESISTOR | 100Ω 1/16W J | 1 | |
| | R6014 | RK73HB1J101J | MG RESISTOR | 100Ω 1/16W J | 1 | |
| | R6015 | RK73HB1J101J | MG RESISTOR | 100Ω 1/16W J | 1 | |
| | R6016 | RK73HB1J101J | MG RESISTOR | 100Ω 1/16W J | 1 | |
| | R6018 | RK73HB1J4R7J | MG RESISTOR | 4.7Ω 1/16W J | 1 | |
| | R6019 | RK73HB1J4R7J | MG RESISTOR | 4.7Ω 1/16W J | 1 | |
| | R6020 | RK73HB1J4R7J | MG RESISTOR | 4.7Ω 1/16W J | 1 | |
| | R6021 | RK73HB1J4R7J | MG RESISTOR | 4.7Ω 1/16W J | 1 | |
| | R6022 | RK73HB1J4R7J | MG RESISTOR | 4.7Ω 1/16W J | 1 | |
| | R6023 | RK73HB1J4R7J | MG RESISTOR | 4.7Ω 1/16W J | 1 | |
| | R6024 | RK73HB1J4R7J | MG RESISTOR | 4.7Ω 1/16W J | 1 | |
| | R6025 | RK73HB1J4R7J | MG RESISTOR | 4.7Ω 1/16W J | 1 | |
| | R6026 | RK73HB1J4R7J | MG RESISTOR | 4.7Ω 1/16W J | 1 | |
| | R6027 | RK73HB1J4R7J | MG RESISTOR | 4.7Ω 1/16W J | 1 | |
| | R6028 | RK73HB1J4R7J | MG RESISTOR | 4.7Ω 1/16W J | 1 | |
| | R6029 | RK73HB1J4R7J | MG RESISTOR | 4.7Ω 1/16W J | 1 | |
| | R6030 | RK73HB1J4R7J | MG RESISTOR | 4.7Ω 1/16W J | 1 | |
| | R6031 | RK73HB1J4R7J | MG RESISTOR | 4.7Ω 1/16W J | 1 | |
| | R6032 | RK73HB1J4R7J | MG RESISTOR | 4.7Ω 1/16W J | 1 | |
| | R6033 | RK73HB1J4R7J | MG RESISTOR | 4.7Ω 1/16W J | 1 | |
| | R6034 | RK73HB1J4R7J | MG RESISTOR | 4.7Ω 1/16W J | 1 | |
| | R6035 | RK73HB1J4R7J | MG RESISTOR | 4.7Ω 1/16W J | 1 | |
| | R6036 | RK73HB1J4R7J | MG RESISTOR | 4.7Ω 1/16W J | 1 | |
| | R6037 | RK73HB1J4R7J | MG RESISTOR | 4.7Ω 1/16W J | 1 | |
| | R6038 | RK73HB1J100J | MG RESISTOR | 10Ω 1/16W J | 1 | |
| | R6039 | RK73HB1J4R7J | MG RESISTOR | 4.7Ω 1/16W J | 1 | |
| | R6040 | RK73HB1J4R7J | MG RESISTOR | 4.7Ω 1/16W J | 1 | |
| | R6041 | RK73HB1J4R7J | MG RESISTOR | 4.7Ω 1/16W J | 1 | |
| | R6042 | RK73HB1J4R7J | MG RESISTOR | 4.7Ω 1/16W J | 1 | |
| | R6043 | RK73HB1J000J | MG RESISTOR | 0Ω 1/16W J | 1 | |
| | R6044 | RK73HB1J000J | MG RESISTOR | 0Ω 1/16W J | 1 | |
| | R6045 | RK73HB1J000J | MG RESISTOR | 0Ω 1/16W J | 1 | |
| | R6046 | RK73HB1J000J | MG RESISTOR | 0Ω 1/16W J | 1 | |
| | R6047 | RK73HB1J000J | MG RESISTOR | 0Ω 1/16W J | 1 | |
| | R6048 | RK73HB1J000J | MG RESISTOR | 0Ω 1/16W J | 1 | |
| | R6049 | RK73HB1J000J | MG RESISTOR | 0Ω 1/16W J | 1 | |
| | R6050 | RK73HB1J000J | MG RESISTOR | 0Ω 1/16W J | 1 | |
| | R6051 | RK73HB1J000J | MG RESISTOR | 0Ω 1/16W J | 1 | |
| | R6052 | RK73HB1J000J | MG RESISTOR | 0Ω 1/16W J | 1 | |
| | R6053 | RK73HB1J000J | MG RESISTOR | 0Ω 1/16W J | 1 | |
| | R6054 | RK73HB1J000J | MG RESISTOR | 0Ω 1/16W J | 1 | |
| | R6055 | RK73HB1J000J | MG RESISTOR | 0Ω 1/16W J | 1 | |
| | R6056 | RK73HB1J000J | MG RESISTOR | 0Ω 1/16W J | 1 | |
| | R6057 | RK73HB1J000J | MG RESISTOR | 0Ω 1/16W J | 1 | |
| | R6058 | RK73HB1J000J | MG RESISTOR | 0Ω 1/16W J | 1 | |
| | R6059 | RK73HB1J000J | MG RESISTOR | 0Ω 1/16W J | 1 | |
| | R6060 | RK73HB1J000J | MG RESISTOR | 0Ω 1/16W J | 1 | |

| | | | |
|----------|------|----------|------|
| MODEL | MARK | MODEL | MARK |
| DDX8706S | K2 | DDX8906S | K1 |

| Safe | Symbol No. | Parts No. | Parts Name | Description | QTY | Local |
|------|------------|--------------|---------------|---------------|-----|-------|
| | R6061 | RK73HB1J000J | MG RESISTOR | 0Ω 1/16W J | 1 | |
| | R6063 | RK73HB1J000J | MG RESISTOR | 0Ω 1/16W J | 1 | |
| | R6064 | RK73HB1J000J | MG RESISTOR | 0Ω 1/16W J | 1 | |
| | R6065 | RK73HB1J000J | MG RESISTOR | 0Ω 1/16W J | 1 | |
| | R6066 | RK73HB1J000J | MG RESISTOR | 0Ω 1/16W J | 1 | |
| | R6067 | RK73HB1J000J | MG RESISTOR | 0Ω 1/16W J | 1 | |
| | R6081 | RK73HB1J123J | MG RESISTOR | 12kΩ 1/16W J | 1 | |
| | R6082 | RK73HB1J123J | MG RESISTOR | 12kΩ 1/16W J | 1 | |
| | R6110 | RK73HB1J103J | MG RESISTOR | 10kΩ 1/16W J | 1 | |
| | R6201 | RK73HB1J101J | MG RESISTOR | 100Ω 1/16W J | 1 | |
| | R6202 | RK73GB2A200J | MG RESISTOR | 20Ω 1/10W J | 1 | |
| | R6204 | RK73HH1J273D | MG RESISTOR | 27kΩ 1/16W D | 1 | |
| | R6205 | RK73HB1J000J | MG RESISTOR | 0Ω 1/16W J | 1 | |
| | R6206 | RK73HH1J222D | MG RESISTOR | 2.2kΩ 1/16W D | 1 | |
| | R6207 | RK73HH1J393D | MG RESISTOR | 39kΩ 1/16W D | 1 | |
| | R6208 | RK73HH1J752D | MG RESISTOR | 7.5kΩ 1/16W D | 1 | |
| | R6209 | RK73HH1J101D | MG RESISTOR | 100Ω 1/16W D | 1 | |
| | R6210 | RK73HB1J000J | MG RESISTOR | 0Ω 1/16W J | 1 | |
| | R6301 | RK73HB1J220J | MG RESISTOR | 22Ω 1/16W J | 1 | |
| | R6302 | RK73HB1J220J | MG RESISTOR | 22Ω 1/16W J | 1 | |
| | R6303 | RK73HB1J101J | MG RESISTOR | 100Ω 1/16W J | 1 | |
| | R6304 | RK73HB1J101J | MG RESISTOR | 100Ω 1/16W J | 1 | |
| | R6305 | RK73HB1J101J | MG RESISTOR | 100Ω 1/16W J | 1 | |
| | R6306 | RK73HB1J101J | MG RESISTOR | 100Ω 1/16W J | 1 | |
| | R6307 | RK73HB1J220J | MG RESISTOR | 22Ω 1/16W J | 1 | |
| | R6309 | RK73HB1J220J | MG RESISTOR | 22Ω 1/16W J | 1 | |
| | R6310 | RK73HB1J220J | MG RESISTOR | 22Ω 1/16W J | 1 | |
| | R6311 | RK73HB1J220J | MG RESISTOR | 22Ω 1/16W J | 1 | |
| | R6312 | RK73HB1J220J | MG RESISTOR | 22Ω 1/16W J | 1 | |
| | R6313 | RK73HB1J220J | MG RESISTOR | 22Ω 1/16W J | 1 | |
| | R6314 | RK73HB1J103J | MG RESISTOR | 10kΩ 1/16W J | 1 | |
| | R6315 | RK73HB1J103J | MG RESISTOR | 10kΩ 1/16W J | 1 | |
| | R6317 | RK73HB1J472J | MG RESISTOR | 4.7kΩ 1/16W J | 1 | |
| | R6318 | RK73HB1J472J | MG RESISTOR | 4.7kΩ 1/16W J | 1 | |
| | R6320 | RK73HB1J472J | MG RESISTOR | 4.7kΩ 1/16W J | 1 | |
| | R6321 | RK73HB1J472J | MG RESISTOR | 4.7kΩ 1/16W J | 1 | |
| | R6322 | RK73HB1J472J | MG RESISTOR | 4.7kΩ 1/16W J | 1 | |
| | R6323 | RK73HB1J103J | MG RESISTOR | 10kΩ 1/16W J | 1 | |
| | R6324 | RK73HB1J472J | MG RESISTOR | 4.7kΩ 1/16W J | 1 | |
| | R6327 | RK73HB1J223J | MG RESISTOR | 22kΩ 1/16W J | 1 | |
| | R6331 | RK73HB1J272J | MG RESISTOR | 2.7kΩ 1/16W J | 1 | |
| | R8002 | RK73HB1J103J | MG RESISTOR | 10kΩ 1/16W J | 1 | |
| | R8003 | RK73HB1J272J | MG RESISTOR | 2.7kΩ 1/16W J | 1 | |
| | R8004 | RK73HB1J272J | MG RESISTOR | 2.7kΩ 1/16W J | 1 | |
| | R8005 | RK73HB1J103J | MG RESISTOR | 10kΩ 1/16W J | 1 | |
| | R8006 | RK73HB1J103J | MG RESISTOR | 10kΩ 1/16W J | 1 | |
| | R8007 | RK73HB1J000J | MG RESISTOR | 0Ω 1/16W J | 1 | |
| | R8009 | RK73HB1J000J | MG RESISTOR | 0Ω 1/16W J | 1 | |
| | R8010 | RK73HB1J102J | MG RESISTOR | 1kΩ 1/16W J | 1 | |
| | R8011 | RK73HB1J000J | MG RESISTOR | 0Ω 1/16W J | 1 | |
| | R8012 | RK73HB1J330J | MG RESISTOR | 33Ω 1/16W J | 1 | |
| | R8013 | RK73HB1J330J | MG RESISTOR | 33Ω 1/16W J | 1 | |
| | R8014 | RK73HB1J330J | MG RESISTOR | 33Ω 1/16W J | 1 | |
| | R8015 | RK73HB1J330J | MG RESISTOR | 33Ω 1/16W J | 1 | |
| | R8016 | RK73HB1J473J | MG RESISTOR | 47kΩ 1/16W J | 1 | |
| | R8017 | RK73HB1J473J | MG RESISTOR | 47kΩ 1/16W J | 1 | |
| | R8018 | RK73HB1J473J | MG RESISTOR | 47kΩ 1/16W J | 1 | |
| | R8019 | RK73HB1J473J | MG RESISTOR | 47kΩ 1/16W J | 1 | |
| | R8020 | RK73HB1J473J | MG RESISTOR | 47kΩ 1/16W J | 1 | |
| | R8022 | RK73HB1J101J | MG RESISTOR | 100Ω 1/16W J | 1 | |
| | R8024 | RK73HB1J101J | MG RESISTOR | 100Ω 1/16W J | 1 | |
| | R8026 | RK73HB1J680J | MG RESISTOR | 68Ω 1/16W J | 1 | |
| | R8027 | RK73HB1J000J | MG RESISTOR | 0Ω 1/16W J | 1 | |
| | R8028 | RK73HB1J680J | MG RESISTOR | 68Ω 1/16W J | 1 | |
| | R8029 | RK73HB1J680J | MG RESISTOR | 68Ω 1/16W J | 1 | |
| | R8030 | RK73HH1J162D | MG RESISTOR | 1.6kΩ 1/16W D | 1 | |
| | R8031 | RK73HB1J000J | MG RESISTOR | 0Ω 1/16W J | 1 | |
| | R8032 | RK73HH1J562D | MG RESISTOR | 5.6kΩ 1/16W D | 1 | |
| | R8033 | RK73HH1J330D | MG RESISTOR | 33Ω 1/16W D | 1 | |
| | R8034 | RK73HH1J331D | MG RESISTOR | 330Ω 1/16W D | 1 | |
| | R8037 | RK73HH1J820D | MG RESISTOR | 82Ω 1/16W D | 1 | |
| | RA521 | RK74HB1J473J | NET RESISTOR | 47kΩ 1/16W J | 1 | |
| | RA522 | RK74HB1J473J | NET RESISTOR | 47kΩ 1/16W J | 1 | |
| | RA548 | RK74HB1J330J | MG RESISTOR | 33Ω 1/16W J | 1 | |
| | RA549 | RK74HB1J330J | MG RESISTOR | 33Ω 1/16W J | 1 | |
| | L631 | LB73G0ED-004 | CHIP FERRITE | | 1 | |
| | L5001 | LB73G0ED-003 | CHIP FERRITE | | 1 | |
| | L5002 | LB73G0ED-003 | CHIP FERRITE | | 1 | |
| | L5402 | LB73G0ED-004 | CHIP FERRITE | | 1 | |
| | L5403 | LB73G0ED-004 | CHIP FERRITE | | 1 | |
| | L5405 | LB73G0ED-004 | CHIP FERRITE | | 1 | |
| | L5406 | LB73G0ED-004 | CHIP FERRITE | | 1 | |
| | L5501 | LB73G0ED-004 | CHIP FERRITE | | 1 | |
| | L5704 | LB73G0ED-004 | CHIP FERRITE | | 1 | |
| | L5705 | LB73G0ED-004 | CHIP FERRITE | | 1 | |
| | L5706 | LB73G0ED-004 | CHIP FERRITE | | 1 | |
| | L5901 | LR79Z0EW5R1N | CHIP INDUCTOR | | 1 | |
| | L5902 | LR79Z0EW5R1N | CHIP INDUCTOR | | 1 | |
| | L5904 | LB73G0ED-004 | CHIP FERRITE | | 1 | |
| | L5908 | LR79Z0EW5R1N | CHIP INDUCTOR | | 1 | |
| | L6025 | LR79Z0JP5R1N | CHIP INDUCTOR | | 1 | |
| | L6027 | LB73H0EK-001 | CHIP FERRITE | | 1 | |

| | | | |
|----------|------|----------|------|
| MODEL | MARK | MODEL | MARK |
| DDX8706S | K2 | DDX8906S | K1 |

| Safe | Symbol No. | Parts No. | Parts Name | Description | QTY | Local |
|------|--|----------------|-----------------|---------------|-----|-------|
| | L6202 | LR7920EW5R1N | CHIP INDUCTOR | | 1 | |
| | L8001 | LB73G0ED-004 | CHIP FERRITE | | 1 | |
| | L8002 | LB73G0ED-004 | CHIP FERRITE | | 1 | |
| | L8003 | LB73G0ED-004 | CHIP FERRITE | | 1 | |
| | L8004 | LB73G0ED-004 | CHIP FERRITE | | 1 | |
| | L8101 | LK73H0AM2N2S | M.CHIP INDUCTOR | | 1 | |
| | L8102 | LK73H0AM2N2S | M.CHIP INDUCTOR | | 1 | |
| | A8001 | W0C-0340-00 | RF MODULE | | 1 | |
| | AT801 | T9A-0052-00 | CHIP ANTENNA | | 1 | |
| | AT802 | T9A-0052-00 | CHIP ANTENNA | | 1 | |
| | CN527 | EC720AT-0516A | FFC FPC CONNE | | 1 | |
| | CN571 | EA720AP-2005A | W TO B CONNE | | 1 | |
| | CN572 | EA720AX-1503A | W TO B CONNE | | 1 | |
| | CN581 | EB760AX-05C0B | B TO B CONNE | | 1 | |
| | CN601 | EC720AB-0570A | FFC FPC CONNE | | 1 | |
| △ | F5901 | FZA10BF-R50 | FUSE (CC) | | 1 | |
| | VA5730 | SDV1005H26//0 | VARIATOR | | 1 | |
| | VA5731 | SDV1005H26//0 | VARIATOR | | 1 | |
| | VA5732 | SDV1005H26//0 | VARIATOR | | 1 | |
| | VA5733 | SDV1005H26//0 | VARIATOR | | 1 | |
| | VA6301 | SDV1005H26//0 | VARIATOR | | 1 | |
| | VA6302 | SDV1005H26//0 | VARIATOR | | 1 | |
| | VA6303 | SDV1005H26//0 | VARIATOR | | 1 | |
| | X5001 | L7J-0138-00 | QUARTZ CRYSTAL | | 1 | |
| | X5401 | L7J-0146-00 | QUARTZ CRYSTAL | | 1 | |
| | X5701 | L7J-0156-00 | QUARTZ CRYSTAL | | 1 | |
| | X8001 | L7H-0052-00 | SPXO | | 1 | |
| | PANEL MECHA PWB ASSY (X16-7370-00) <X16> | | | | | |
| | VR1 | R31-0269-05 | V RESISTOR | | 1 | |
| | DVD MECHA PWB ASSY (LVA11172-04A) <L17> | | | | | |
| | IC1 | AN41250A | ANALOG IC | | 1 | |
| | IC2 | M12L1281686TN | DRAM IC | | 1 | |
| | IC3 | WZZ-0025-00 | PROGRAMMED IC | | 1 | |
| | IC4 | MN2DS0041MD | ANALOG IC | | 1 | |
| | IC5 | BD12KA5FP | ANALOG IC | | 1 | |
| | IC6 | XC6120N282N-G | MOS IC | | 1 | |
| | IC8 | MM1663DTE | MOS IC | | 1 | |
| | Q1 | 2SK3019 | FET | | 1 | |
| | Q2 | 2SK3019 | FET | | 1 | |
| | Q3 | LSCR523EBFS8 | TRANSISTOR | | 1 | |
| | Q4 | 2SB1709MG | TRANSISTOR | | 1 | |
| | Q5 | LSCR523EBFS8 | TRANSISTOR | | 1 | |
| | Q6 | 2SB1709MG | TRANSISTOR | | 1 | |
| | Q11 | LTA014TEBFS8 | DIGI TRANSISTOR | | 1 | |
| | Q12 | LTA014TEBFS8 | DIGI TRANSISTOR | | 1 | |
| | D1 | TAN1102W-22 | INFRARED LED | | 1 | |
| | D4 | TAN1102W-22 | INFRARED LED | | 1 | |
| | D5 | 1SS355VM | DIODE | | 1 | |
| | C1 | CK73HBB1E103K | C CAPACITOR | 0.01uF 25V K | 1 | |
| | C2 | NCJ20JK-106X-R | C CAPACITOR | 10uF 6.3V K | 1 | |
| | C6 | CK73FXR0J226M | C CAPACITOR | 22uF 6.3V M | 1 | |
| | C7 | CK73HBB1E103K | C CAPACITOR | 0.01uF 25V K | 1 | |
| | C8 | CK73HBB1E103K | C CAPACITOR | 0.01uF 25V K | 1 | |
| | C10 | CK73GXR0J475K | C CAPACITOR | 4.7uF 6.3V K | 1 | |
| | C12 | NCJ20JK-106X-R | C CAPACITOR | 10uF 6.3V K | 1 | |
| | C13 | NCJ20JK-106X-R | C CAPACITOR | 10uF 6.3V K | 1 | |
| | C14 | CK73HBB1A104K | C CAPACITOR | 0.1uF 10V K | 1 | |
| | C16 | CK73HBB1C333K | C CAPACITOR | 0.033uF 16V K | 1 | |
| | C17 | CK73HBB1A104K | C CAPACITOR | 0.1uF 10V K | 1 | |
| | C18 | CC73HCH1H120J | C CAPACITOR | 12pF 50V J | 1 | |
| | C19 | CK73HBB1A104K | C CAPACITOR | 0.1uF 10V K | 1 | |
| | C20 | CK73HBB1A104K | C CAPACITOR | 0.1uF 10V K | 1 | |
| | C21 | CK73HBB1A104K | C CAPACITOR | 0.1uF 10V K | 1 | |
| | C22 | CK73HBB1A104K | C CAPACITOR | 0.1uF 10V K | 1 | |
| | C23 | CC73HCH1H120J | C CAPACITOR | 12pF 50V J | 1 | |
| | C24 | CK73HXR0J105K | C CAPACITOR | 1uF 6.3V K | 1 | |
| | C25 | CK73HXR0J105K | C CAPACITOR | 1uF 6.3V K | 1 | |
| | C26 | CC73HCH1H102J | C CAPACITOR | 1000pF 50V J | 1 | |
| | C28 | NCJ20JK-106X-R | C CAPACITOR | 10uF 6.3V K | 1 | |
| | C29 | NCJ20JK-106X-R | C CAPACITOR | 10uF 6.3V K | 1 | |
| | C31 | CK73GXR0J475K | C CAPACITOR | 4.7uF 6.3V K | 1 | |
| | C33 | CK73HBB1H682K | C CAPACITOR | 6800pF 50V K | 1 | |
| | C34 | CK73HBB1H682K | C CAPACITOR | 6800pF 50V K | 1 | |
| | C35 | CC73HCH1H681J | C CAPACITOR | 680pF 50V J | 1 | |
| | C36 | CC73HCH1H471J | C CAPACITOR | 470pF 50V J | 1 | |
| | C37 | NCJ20JK-106X-R | C CAPACITOR | 10uF 6.3V K | 1 | |
| | C38 | NCJ20JK-106X-R | C CAPACITOR | 10uF 6.3V K | 1 | |
| | C45 | CK73HBB1A104K | C CAPACITOR | 0.1uF 10V K | 1 | |
| | C47 | CK73HBB1A104K | C CAPACITOR | 0.1uF 10V K | 1 | |
| | C48 | CK73HBB1H222K | C CAPACITOR | 2200pF 50V K | 1 | |
| | C49 | CK73HBB1A104K | C CAPACITOR | 0.1uF 10V K | 1 | |
| | C50 | CK73HBB1H222K | C CAPACITOR | 2200pF 50V K | 1 | |
| | C51 | CK73HBB1H472K | C CAPACITOR | 4700pF 50V K | 1 | |
| | C52 | CK73HBB1E103K | C CAPACITOR | 0.01uF 25V K | 1 | |
| | C53 | CK73HBB1H222K | C CAPACITOR | 2200pF 50V K | 1 | |
| | C55 | CK73HBB1A104K | C CAPACITOR | 0.1uF 10V K | 1 | |
| | C56 | CK73HBB1H222K | C CAPACITOR | 2200pF 50V K | 1 | |
| | C57 | CK73HBB1E103K | C CAPACITOR | 0.01uF 25V K | 1 | |
| | C58 | CK73HBB1E103K | C CAPACITOR | 0.01uF 25V K | 1 | |
| | C59 | CK73HBB1A104K | C CAPACITOR | 0.1uF 10V K | 1 | |
| | C60 | CK73HBB1A104K | C CAPACITOR | 0.1uF 10V K | 1 | |

| | | | |
|----------|------|----------|------|
| MODEL | MARK | MODEL | MARK |
| DDX8706S | K2 | DDX8906S | K1 |

| Safe | Symbol No. | Parts No. | Parts Name | Description | QTY | Local |
|------|------------|----------------|-------------|---------------|-----|-------|
| | C61 | CK73HBB1A104K | C CAPACITOR | 0.1uF 10V K | 1 | |
| | C62 | CK73HBB1A104K | C CAPACITOR | 0.1uF 10V K | 1 | |
| | C63 | CK73HBB1A104K | C CAPACITOR | 0.1uF 10V K | 1 | |
| | C64 | CK73HBB1A104K | C CAPACITOR | 0.1uF 10V K | 1 | |
| | C65 | CK73HBB1A104K | C CAPACITOR | 0.1uF 10V K | 1 | |
| | C66 | CK73HBB1A104K | C CAPACITOR | 0.1uF 10V K | 1 | |
| | C67 | CK73HBB1A104K | C CAPACITOR | 0.1uF 10V K | 1 | |
| | C68 | CK73HBB1E103K | C CAPACITOR | 0.01uF 25V K | 1 | |
| | C70 | CK73HXR0J105K | C CAPACITOR | 1uF 6.3V K | 1 | |
| | C71 | CK73HBB1A104K | C CAPACITOR | 0.1uF 10V K | 1 | |
| | C74 | CK73HBB1A104K | C CAPACITOR | 0.1uF 10V K | 1 | |
| | C75 | CC73HCH1H101J | C CAPACITOR | 100pF 50V J | 1 | |
| | C76 | CK73FXR0J226M | C CAPACITOR | 22uF 6.3V M | 1 | |
| | C77 | CK73HBB1A104K | C CAPACITOR | 0.1uF 10V K | 1 | |
| | C78 | CK73GXR0J475K | C CAPACITOR | 4.7uF 6.3V K | 1 | |
| | C79 | CK73HBB1H222K | C CAPACITOR | 2200pF 50V K | 1 | |
| | C80 | CK73HBB1H222K | C CAPACITOR | 2200pF 50V K | 1 | |
| | C81 | CK73HXR0J105K | C CAPACITOR | 1uF 6.3V K | 1 | |
| | C82 | CK73HXR0J105K | C CAPACITOR | 1uF 6.3V K | 1 | |
| | C83 | CK73HXR0J105K | C CAPACITOR | 1uF 6.3V K | 1 | |
| | C84 | NCJ20JK-106X-R | C CAPACITOR | 10uF 6.3V K | 1 | |
| | C85 | CK73HBB1A104K | C CAPACITOR | 0.1uF 10V K | 1 | |
| | C86 | CK73HBB1A104K | C CAPACITOR | 0.1uF 10V K | 1 | |
| | C87 | CK73HBB1A104K | C CAPACITOR | 0.1uF 10V K | 1 | |
| | C88 | CK73HBB1A104K | C CAPACITOR | 0.1uF 10V K | 1 | |
| | C89 | CK73HBB1A104K | C CAPACITOR | 0.1uF 10V K | 1 | |
| | C90 | CK73HBB1A104K | C CAPACITOR | 0.1uF 10V K | 1 | |
| | C91 | CK73HBB1A104K | C CAPACITOR | 0.1uF 10V K | 1 | |
| | C92 | CK73HBB1A104K | C CAPACITOR | 0.1uF 10V K | 1 | |
| | C93 | CK73HBB1A104K | C CAPACITOR | 0.1uF 10V K | 1 | |
| | C94 | CK73FXR0J226M | C CAPACITOR | 22uF 6.3V M | 1 | |
| | C95 | CK73FXR0J226M | C CAPACITOR | 22uF 6.3V M | 1 | |
| | C96 | CK73FXR0J226M | C CAPACITOR | 22uF 6.3V M | 1 | |
| | C101 | CK73FXR0J226M | C CAPACITOR | 22uF 6.3V M | 1 | |
| | C102 | CK73FXR0J226M | C CAPACITOR | 22uF 6.3V M | 1 | |
| | C103 | CK73HBB1H222K | C CAPACITOR | 2200pF 50V K | 1 | |
| | C104 | CK73HBB1H222K | C CAPACITOR | 2200pF 50V K | 1 | |
| | C105 | CC73HCH1H150J | C CAPACITOR | 15pF 50V J | 1 | |
| | C112 | CK73HBB1A104K | C CAPACITOR | 0.1uF 10V K | 1 | |
| | C115 | CK73HXR0J105K | C CAPACITOR | 1uF 6.3V K | 1 | |
| | C120 | CK73HBB1A104K | C CAPACITOR | 0.1uF 10V K | 1 | |
| | C121 | CK73HBB1A104K | C CAPACITOR | 0.1uF 10V K | 1 | |
| | R1 | RK73GB2A561J | MG RESISTOR | 560Ω 1/10W J | 1 | |
| | R2 | RK73HB1J271J | MG RESISTOR | 270Ω 1/16W J | 1 | |
| | R3 | RK73HB1J301J | MG RESISTOR | 300Ω 1/16W J | 1 | |
| | R4 | RK73GB2A561J | MG RESISTOR | 560Ω 1/10W J | 1 | |
| | R5 | RK73HB1J163J | MG RESISTOR | 16kΩ 1/16W J | 1 | |
| | R6 | RK73HB1J103J | MG RESISTOR | 10kΩ 1/16W J | 1 | |
| | R7 | RK73HB1J103J | MG RESISTOR | 10kΩ 1/16W J | 1 | |
| | R8 | RK73HB1J103J | MG RESISTOR | 10kΩ 1/16W J | 1 | |
| | R9 | RK73HB1J333J | MG RESISTOR | 33kΩ 1/16W J | 1 | |
| | R10 | RK73HB1J103J | MG RESISTOR | 10kΩ 1/16W J | 1 | |
| | R11 | RK73HB1J103J | MG RESISTOR | 10kΩ 1/16W J | 1 | |
| | R12 | RK73HB1J103J | MG RESISTOR | 10kΩ 1/16W J | 1 | |
| | R15 | RK73HB1J102J | MG RESISTOR | 1kΩ 1/16W J | 1 | |
| | R16 | RK73HB1J102J | MG RESISTOR | 1kΩ 1/16W J | 1 | |
| | R17 | RK73HB1J105J | MG RESISTOR | 1MΩ 1/16W J | 1 | |
| | R18 | RK73HH1J303D | MG RESISTOR | 30kΩ 1/16W D | 1 | |
| | R19 | RK73HB1J223J | MG RESISTOR | 22kΩ 1/16W J | 1 | |
| | R20 | RK73HB1J471J | MG RESISTOR | 470Ω 1/16W J | 1 | |
| | R21 | RK73HB1J100J | MG RESISTOR | 10Ω 1/16W J | 1 | |
| | R22 | RK73HB1J560J | MG RESISTOR | 56Ω 1/16W J | 1 | |
| | R23 | RK73HB1J2R2J | MG RESISTOR | 2.2Ω 1/16W J | 1 | |
| | R25 | RK73HB1J471J | MG RESISTOR | 470Ω 1/16W J | 1 | |
| | R27 | RK73HB1J471J | MG RESISTOR | 470Ω 1/16W J | 1 | |
| | R28 | RK73HB1J100J | MG RESISTOR | 10Ω 1/16W J | 1 | |
| | R29 | RK73HB1J560J | MG RESISTOR | 56Ω 1/16W J | 1 | |
| | R30 | RK73HB1J2R2J | MG RESISTOR | 2.2Ω 1/16W J | 1 | |
| | R31 | RK73PB2H270J | MG RESISTOR | 27Ω 1/2W J | 1 | |
| | R32 | RK73HB1J203J | MG RESISTOR | 20kΩ 1/16W J | 1 | |
| | R33 | RK73HB1J333J | MG RESISTOR | 33kΩ 1/16W J | 1 | |
| | R34 | RK73HB1J471J | MG RESISTOR | 470Ω 1/16W J | 1 | |
| | R35 | RK73PB2H270J | MG RESISTOR | 27Ω 1/2W J | 1 | |
| | R51 | RK73HB1J223J | MG RESISTOR | 22kΩ 1/16W J | 1 | |
| | R52 | RK73HB1J223J | MG RESISTOR | 22kΩ 1/16W J | 1 | |
| | R53 | RK73POCMR27J | MG RESISTOR | 0.27Ω J | 1 | |
| | R54 | RK73HB1J103J | MG RESISTOR | 10kΩ 1/16W J | 1 | |
| | R55 | RK73HB1J101J | MG RESISTOR | 100Ω 1/16W J | 1 | |
| | R56 | RK73HB1J103J | MG RESISTOR | 10kΩ 1/16W J | 1 | |
| | R57 | RK73HB1J103J | MG RESISTOR | 10kΩ 1/16W J | 1 | |
| | R58 | RK73HB1J103J | MG RESISTOR | 10kΩ 1/16W J | 1 | |
| | R59 | RK73HB1J103J | MG RESISTOR | 10kΩ 1/16W J | 1 | |
| | R60 | RK73HB1J821J | MG RESISTOR | 820Ω 1/16W J | 1 | |
| | R61 | RK73HB1J242J | MG RESISTOR | 2.4kΩ 1/16W J | 1 | |
| | R62 | RK73HB1J103J | MG RESISTOR | 10kΩ 1/16W J | 1 | |
| | R63 | RK73HB1J332J | MG RESISTOR | 3.3kΩ 1/16W J | 1 | |
| | R64 | RK73HB1J202J | MG RESISTOR | 2kΩ 1/16W J | 1 | |
| | R65 | RK73HB1J102J | MG RESISTOR | 1kΩ 1/16W J | 1 | |
| | R66 | RK73HB1J102J | MG RESISTOR | 1kΩ 1/16W J | 1 | |
| | R69 | RK73HB1J102J | MG RESISTOR | 1kΩ 1/16W J | 1 | |
| | R70 | RK73HB1J102J | MG RESISTOR | 1kΩ 1/16W J | 1 | |
| | R73 | RK73HB1J472J | MG RESISTOR | 4.7kΩ 1/16W J | 1 | |
| | R74 | RK73HB1J4R7J | MG RESISTOR | 4.7Ω 1/16W J | 1 | |

| MODEL | MARK | MODEL | MARK |
|----------|------|----------|------|
| DDX8706S | K2 | DDX8906S | K1 |

| Safe | Symbol No. | Parts No. | Parts Name | Description | QTY | Local |
|------|------------|---------------|-----------------|---------------|-----|-------|
| R75 | | RK73HB1J000J | MG RESISTOR | 0Ω 1/16W J | 1 | |
| R76 | | RK73HB1J472J | MG RESISTOR | 4.7kΩ 1/16W J | 1 | |
| R77 | | RK73HB1J4R7J | MG RESISTOR | 4.7Ω 1/16W J | 1 | |
| R78 | | RK73HB1J221J | MG RESISTOR | 220Ω 1/16W J | 1 | |
| R79 | | RK73HB1J221J | MG RESISTOR | 220Ω 1/16W J | 1 | |
| R80 | | RK73HB1J103J | MG RESISTOR | 10kΩ 1/16W J | 1 | |
| R81 | | RK73HB1J103J | MG RESISTOR | 10kΩ 1/16W J | 1 | |
| R82 | | RK73HB1J102J | MG RESISTOR | 1kΩ 1/16W J | 1 | |
| R86 | | RK73HB1J102J | MG RESISTOR | 1kΩ 1/16W J | 1 | |
| R92 | | RK73HB1J103J | MG RESISTOR | 10kΩ 1/16W J | 1 | |
| R95 | | RK73HB1J470J | MG RESISTOR | 47Ω 1/16W J | 1 | |
| R96 | | RK73HB1J103J | MG RESISTOR | 10kΩ 1/16W J | 1 | |
| R105 | | RK73HB1J101J | MG RESISTOR | 100Ω 1/16W J | 1 | |
| R106 | | RK73HB1J103J | MG RESISTOR | 10kΩ 1/16W J | 1 | |
| R107 | | RK73HB1J221J | MG RESISTOR | 220Ω 1/16W J | 1 | |
| R108 | | RK73HB1J221J | MG RESISTOR | 220Ω 1/16W J | 1 | |
| R113 | | RK73HB1J470J | MG RESISTOR | 47Ω 1/16W J | 1 | |
| R114 | | RK73HH1J5901D | MG RESISTOR | 5900Ω 1/16W D | 1 | |
| R120 | | RK73HB1J432J | MG RESISTOR | 4.3kΩ 1/16W J | 1 | |
| R121 | | RK73HB1J242J | MG RESISTOR | 2.4kΩ 1/16W J | 1 | |
| R122 | | RK73HB1J162J | MG RESISTOR | 1.6kΩ 1/16W J | 1 | |
| R123 | | RK73HB1J332J | MG RESISTOR | 3.3kΩ 1/16W J | 1 | |
| R125 | | RK73GB2A000J | MG RESISTOR | 0Ω 1/10W J | 1 | |
| R128 | | RK73GB2A000J | MG RESISTOR | 0Ω 1/10W J | 1 | |
| CN1 | | EC720AA-0526A | FFC FPC CONNE | | 1 | |
| CN4 | | EC720AA-0535A | FFC FPC CONNE | | 1 | |
| CN5 | | EC720AA-0518A | FFC FPC CONNE | | 1 | |
| CN9 | | EA720AX-1503A | W TO B CONNE | | 1 | |
| PH1 | | PS1192HB-22-X | OPT TRANSMITTER | | 1 | |
| PH2 | | PS1192HB-22-X | OPT TRANSMITTER | | 1 | |
| S1 | | NSW0351-001X | LEVER SWITCH | | 1 | |
| TH1 | | TH05-3H103F | N THERMISTOR | | 1 | |
| X1 | | NAX1135-001X | CRYSTAL | | 1 | |