

# 9. EXPLODED VIEWS AND PARTS LIST

NOTES: ● Parts marked by "NSP" are generally unavailable because they are not in our Master Spare Parts List.

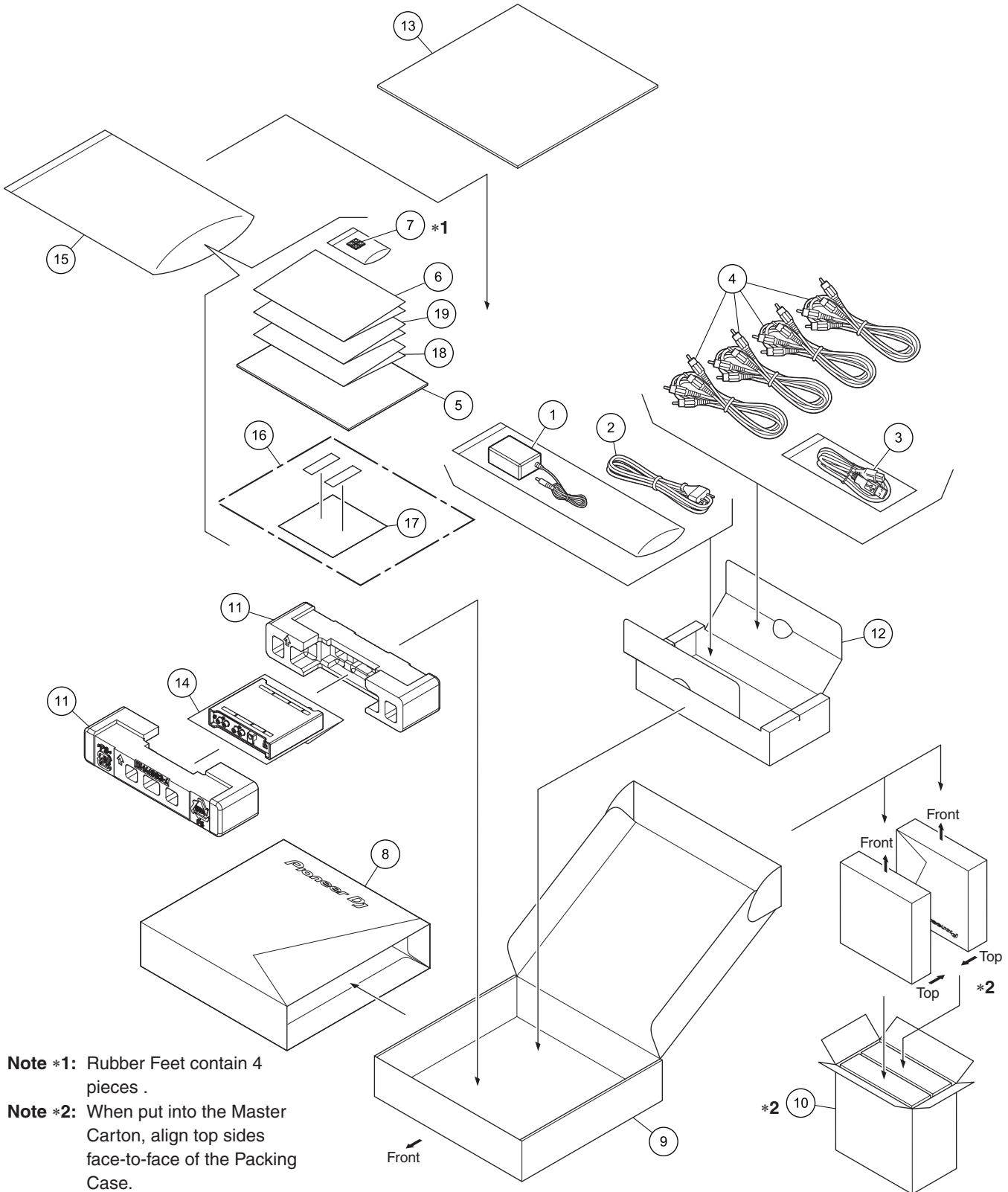
● The  $\triangle$  mark found on some component parts indicates the importance of the safety factor of the part. Therefore, when replacing, be sure to use parts of identical design.

● Screws adjacent to  $\nabla$  mark on product are used for disassembly.

● For the applying amount of lubricants or glue, follow the instructions in this manual.

(In the case of no amount instructions, apply as you think it appropriate.)

## 9.1 PACKING SECTION



**Note \*1:** Rubber Feet contain 4 pieces .

**Note \*2:** When put into the Master Carton, align top sides face-to-face of the Packing Case.

**(1) PACKING SECTION PARTS LIST**

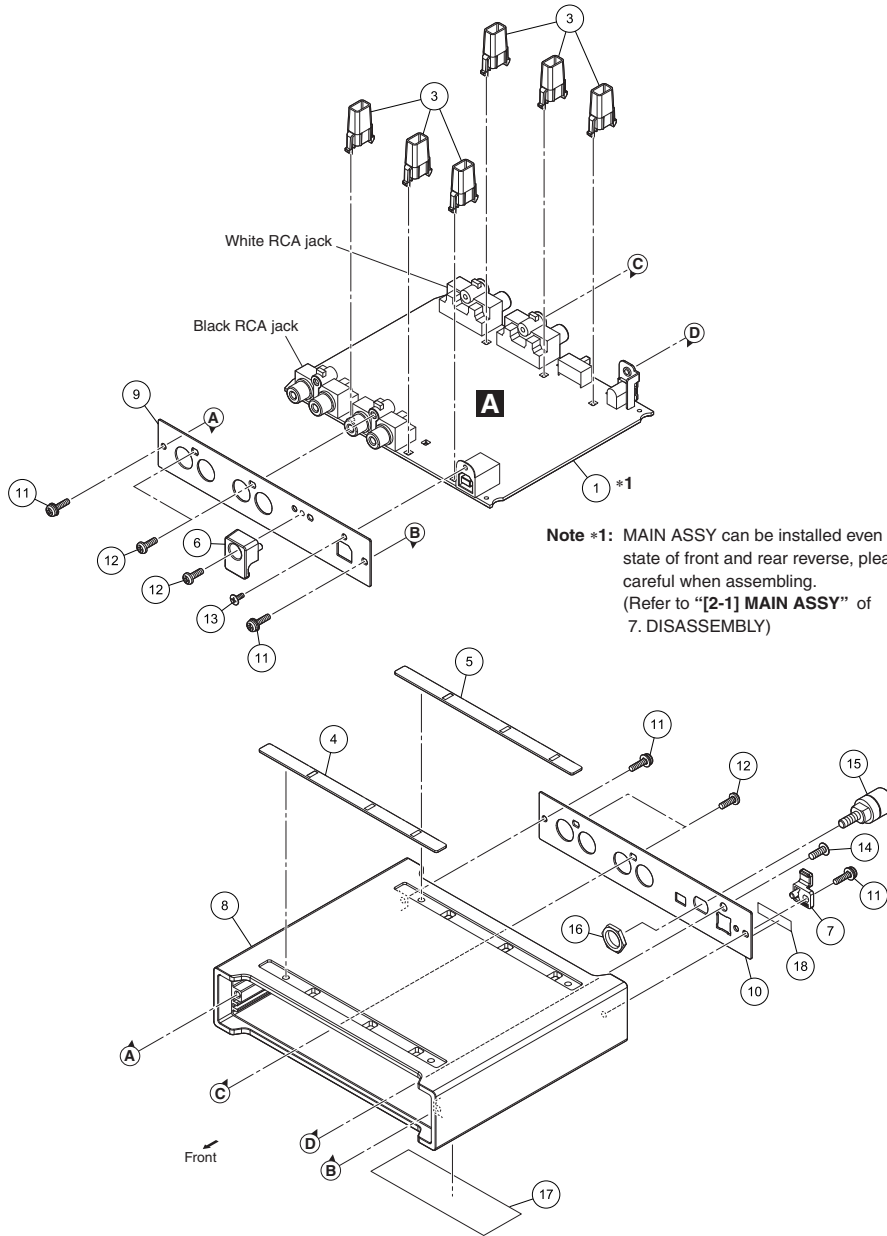
<u>Mark No.</u>	<u>Description</u>	<u>Part No.</u>
⚠	1 AC Adapter	See Contrast table (2)
⚠	2 Power Cord	See Contrast table (2)
	3 USB Cable	DDE1128
	4 Audio Cable	XDE3045
	5 Operating Instructions (Quick Start Guide)	See Contrast table (2)
NSP	6 Leaflet	See Contrast table (2)
	7 Rubber Feet	DXX2829
	8 Packing Case	See Contrast table (2)
	9 Packing Case	See Contrast table (2)
	10 Master Carton	See Contrast table (2)
	11 Pad	DHA1963
	12 Partition	DHC1100
	13 Packing Board	DHB1002
NSP	14 Polyethylene Bag	DHL1205
NSP	15 Polyethylene Bag	AHG7117
NSP	16 License Key Card ASSY	DEA1064
NSP	17 Leaflet	DRM1419
NSP	18 Warranty	See Contrast table (2)
NSP	19 Leaflet	See Contrast table (2)

**(2) CONTRAST TABLE**

SYXJ, UXJCB, FWLPWXJ and XJCN are constructed the same except for the following:

Mark	No.	Symbol and Description	SYXJ	UXJCB	FWLPWXJ	XJCN
⚠	1	AC Adapter	DWR1558	DWR1558	DWR1550	DWR1550
⚠	2	Power Cord	ADG1154	XDG3052	ADG1154	ADG7079
	5	Operating Instructions (Quick Start Guide)	DRH1441	DRH1442	DRH1443	DRH1445
NSP	6	Leaflet	DRH1431	DRH1431	DRH1431	DRH1432
	8	Packing Case	DHG3556	DHG3556	DHG3556	DHG3557
	9	Packing Case	DHG3558	DHG3559	DHG3560	DHG3566
	10	Master Carton	DHG3562	DHG3563	DHG3564	DHG3567
NSP	18	Warranty	DRY1270	Not used	Not used	Not used
NSP	19	Leaflet	Not used	Not used	Not used	DRM1423

## 9.2 MAIN UNIT SECTION



### MAIN UNIT SECTION PARTS LIST

Mark No.	Description	Part No.	Mark No.	Description	Part No.
1	MAIN ASSY	DWX3995	11	Screw	PMH30P080FTB
2	•••••		12	Screw	PBZ30P080FTB
3	Holder	DNK6697	13	Screw (M3*5)	DBA1340
4	Panel	DAH3148	14	Screw (Fe)	DBA1290
5	Panel	DAH3149	15	Earth Terminal	DKE1021
6	Hook	DNK6695	16	Nut	NK90FTC
7	Hook	DNK6696	NSP	17 Name Label	See Contrast table (2)
8	Case	DNB1257	NSP	18 Label	See Contrast table (2)
9	Panel	DNC2131			
10	Panel	DNC2132			

### (2) CONTRAST TABLE

SYXJ, UXJCB, FWPWXJ and XJCN are constructed the same except for the following:

Mark	No.	Symbol and Description	SYXJ	UXJCB	FWLPWXJ	XJCN
NSP	17	Name Label	Not used	Not used	Not used	DAL1354
NSP	18	Label	Not used	Not used	Not used	DRW2739

# 12. PCB PARTS LIST

NOTES: ● Parts marked by "NSP" are generally unavailable because they are not in our Master Spare Parts List.

● The  $\Delta$  mark found on some component parts indicates the importance of the safety factor of the part. Therefore, when replacing, be sure to use parts of identical designation.

● When ordering resistors, first convert resistance values into code form as shown in the following examples.

Ex.1 When there are 2 effective digits (any digit apart from 0), such as 560 ohm and 47 k ohm (tolerance is shown by J = 5%, and K = 10%).

560  $\Omega$  → 56 × 10<sup>1</sup> → 561.....RD1/4PU 5 6 1 J

47 k $\Omega$  → 47 × 10<sup>3</sup> → 473.....RD1/4PU 4 7 3 J

0.5  $\Omega$  → R50.....RN2H R 5 0 K

1  $\Omega$  → 1R0.....RS1P 1 R 0 K

Ex.2 When there are 3 effective digits (such as in high precision metal film resistors).

5.62 k $\Omega$  → 562 × 10<sup>1</sup> → 5621.....RN1/4PC 5 6 2 1 F

**Mark No. Description Part No.**

## LIST OF ASSEMBLIES

1..MAIN ASSY DWX3995

**Mark No. Description Part No.**

**A MAIN ASSY**

## SEMICONDUCTORS

	IC	1,2,11,12 IC	NJM4580MD
	IC	3,4 AD Converter IC	AK5358AET
	IC	10 CONV IC	AK4458VN
	IC	21 Reset IC	S-80940CNMC-G9A
$\Delta$	IC	22 DC/DC Controller	BD8152FVM
$\Delta$	IC	50 DC/DC CONV IC	BD8313HFN
$\Delta$	IC	51 Regulator IC	MM3411A33N
$\Delta$	IC	52,57 Regulator IC	NJM2878F3-33
$\Delta$	IC	53 Regulator IC	NJM78M06DL1A
$\Delta$	IC	54 Regulator IC	NJM79M06DL1A
$\Delta$	IC	55 IC	BD9851EFV
$\Delta$	IC	56 Regulator IC	NJM78M05DL1A
	IC	70,71 Logic IC	TC7S208FUS2
NSP	IC	72 Flash Blank UC IC	R5S72690RW266FP
	IC	73 Flash ROM	DYW2042 *

\*Part number of the initial firmware equipped

	IC	74 IC	S-80927CNMC-G8X
	IC	75 Logic IC	TC7SH08FUS2
	Q	1-4,14-17 Chip Transistor	INC2002AC1
	Q	5 Resistor Built-IN TR	LTA024EEB
	Q	20,25 Resistor Built-IN TR	LTC024EEB

	Q	21,27,30,34,38,40 Bipolar TR	LSCR523UB
	Q	22,29,37 Bipolar TR	LSAR523UB
$\Delta$	Q	28,50 FET	RSQ035P03
	Q	31-33 Resistor Built-IN TR	LTC024EEB
$\Delta$	Q	35,36,41 FET	RTQ040P02

$\Delta$	Q	51 FET	RTQ045N03
	Q	52,53 Resistor Built-IN TR	LTC024EEB
	Q	54 Transistor	2SAR502UB
	Q	70 Resistor Built-IN TR	LTC014YEB
	Q	73-87 Resistor Built-IN TR	LTC024EEB

	D	1-4 Switching Diode	DAN217UM
	D	20,21,27,29 Switching Diode	1SS355VM
	D	23,24 ESD Protector	EZAEG2N50A
$\Delta$	D	25 Diode	RB060M-30
	D	26 Zener Diode	DZ2J056M0

**Mark No. Description Part No.**

	D	28 Diode	RB060M-30
	D	30 Zener Diode	DZ2J039M0
$\Delta$	D	31 Diode	RB161M-20
	D	32,34,35,37 Switching Diode	1SS355VM
	D	33 Diode	RB161M-20

	D	54,59 Schottky Diode	DB2J41100
	D	55,56 Schottky Diode	RB501VM-40
	D	70-75 LED	NSSM124F-A21107

## MISCELLANEOUS

	L	20 Common Mode Coil	ATF7043
	L	21 Coil	ATH7015
	L	22 Power Inductor(22u)	DTL1100
	L	50 SMD SPL Inductor	CTH1532
	L	51,54 Inductor	CTF1389

	L	52,53 SMD SPL Inductor	CTH1533
	L	55 Inductor	CTF1635
	L	70-72 Chip Beeds Filter	BTX1047
X		70 Crystal Resonator	CSS1840
X		71 Crystal Oscillator	DSS1215

X		72 Crystal Oscillator	ASS7102
X		73 Resonator	CSS1760
$\Delta$	P	20 Protector(1.750A)	DEK1100
$\Delta$	P	21 Protector(1.250A)	DEK1123
	S	70 Slide Switch	DSH1025

VA		1,2,10,11,20,21 Varistors	EZJZ1V270RM
JA		1,2 RCA Jack	DKB1120
JA		10,11 RCA Jack	DKB1121
JA		20 DC-IN Jack	DKN1523
JA		21 USB Connector	DKN1237

## RESISTORS

R		1-4	RS1/10SR2000D
R		5-8	RS1/10SR1000D
R		13-16	RS1/10SR4702D
R		17,21,22,30	RN1/16SE5600D
R		18,23,24,31	RS1/10SR3303D

R		19,25,26,32	RS1/10SR2202D
R		34-37	RS1/10SR2201D
R		38,39,62,63	RS1/10SR0R0J
R		58-61	RS1/16SS1201D
R		109,115	RS1/10SR0R0J
R		114	RS1/10SR100J

R		116-123	RS1/10SR1201D
R		124-131	RS1/10SR1801D
R		132-139	RS1/10SR3301D

Mark	No.	Description	Part No.	Mark	No.	Description	Part No.
	R	144,146,148,150	RS1/10SR2200D	C	203,217,220	CKSSYB103K16	
	R	152,154,156,158	RS1/10SR3300D	C	208,241	CEVW471M10	
A	R	226	RS1/16SS4702D	C	209,214	ACE7129	
	R	229	RS1/16SS1803F	C	212	CCSRCH101J50	
	R	256,514	RS1/4SA0R0J	C	216,222,223,228,232,233	CKSSYB104K10	
	R	263,265,505,519	RS1/10SR0R0J	C	218,219	CCSSCH221J50	
	R	509	RS1/16SS8202D	C	224,225,240,249,500,503	DCH1201	
	R	511	RS1/16SS3303D	C	230	DCH1256	
	R	512,522	RS1/10SR1502D	C	234,235,237,251,505,508	CKSRYB105K10	
	R	513,533	RS1/10SR1002D	C	238	CKSSYB102K50	
	R	515,525	RS1/10SR3002D	C	239,512,515	CKSSYB104K10	
	R	516,531,535	RS1/10SR6802D	C	243	CKSSYB223K16	
B	R	517	RS1/10SR1003D	C	248	DCE1029	
	R	520,536	RS1/10SR5101D	C	501,506,507	CKSSYB104K16	
	R	529	RS1/8SQ0R0J	C	502,514,524,533,534	CCSSCH102J50	
	R	530	RS1/10SR6201D	C	509,525	CCG1218	
	R	537	RS1/10SR1202D	C	510	CCSSCH470J50	
	R	538	RS1/4SA0R0J	C	511	CKSSYB103K16	
	R	761	RS1/16SS5601F	C	513,526,527,541,547	CKSRYB105K10	
	R	813	RS1/10SR0R0J	C	516,517,538,544,546,556	DCH1201	
		Other Resistors	RS1/16SS###J	C	518	CKSRYB474K16	
				C	519	CKSQYB225K16	
				C	520,564	CEVW470M25	
				C	521,563	CKSQYB105K25	
				C	529,561	DCH1263	

**CAPACITORS**

C	C	1,3,5-12	CCSRCH102J50	C	530,531	CKSRYB103K50	
	C	2,4	CKSRYB104K25	C	532,559	CKSRYB104K25	
	C	13,18,19,34	CEVW101M16	C	535,557	CCSSCH271J50	
	C	14,20,21,35	ACE7125	C	536	CKSSYB332K50	
	C	15,22,23,36	CCSRCH150J50	C	540	CCSSCH221J50	
	C	16,28,29,37	ACE7124	C	543	CKSYB105K16	
	C	17,32,33,38	CKSRYB105K10	C	545	CKSQYB334K50	
	C	24,25	CEVW471M10	C	548	CCG1218	
	C	26,27,41,42,53,54	ACE7100	C	550,554,558	CCSRCH102J50	
	C	39,40	CCH1565	C	552	CKSSYB682K25	
D	C	43-46,51,52	CEVW100M16	C	555	CKSQYB104K50	
	C	47,48	CCH1961	C	560,565,566	CKSRYB105K10	
	C	49,50,63	CKSSYB104K10	C	562	CCSSCH102J50	
	C	55,56,106	CKSSYB104K16	C	567	CCG1232	
	C	57,59,60,62	CCSSCH101J50	C	702	CCH2090	
	C	58,61	CKSSYB102K50	C	703	CCH1565	
	C	64-67	ACE7129	C	704,705,722,723	CKSSYB104K16	
	C	68-71,101,102	CCSRCH102J50	C	706,708,710,712,714,716	DCH1266	
	C	100,103	CCSRCH221J50	C	707,709,711,713,715,717	CKSSYB104K10	
	C	104	CKSSYB103K16	C	718,720,724,726,728,730	DCH1266	
E	C	105	CKSRYB105K10	C	719,721,725,727,729,731	CKSSYB104K10	
	C	107	CCH1961	C	732,734,736	DCH1266	
	C	108,110-112,115,116,120	CCSSCH102J50	C	733,735,737-743,748,755	CKSSYB104K10	
	C	109,122	ACE7100	C	744-747,750,751,753,756	CKSSYB103K16	
	C	113,114,117,118,121	CKSSYB104K16	C	752,754,757,758,770,771	CCSSCH102J50	
	C	119,123	CEVW470M6R3	C	759,773	CCSSCH120J50	
	C	124-127	ACE7120	C	761,765,768,769,777,779	DCH1256	
	C	128-135	ACE7112	C	762,766,767,775,776,780	CKSSYB104K10	
	C	136-139	CKSRYB105K10	C	763,764,772,774	CKSSYB103K16	
	C	140-143	CCH2090	C	778,782	CCSSCH100D50	
	C	146,147,206,210	ACE7100	C	781	CKSSYB102K50	
	C	150-153	ACE7116	C	783,785-788,791	CKSSYB104K10	
F	C	158,160,227	CCSRCH102J50	C	784	CKSSYB222K50	
	C	159,161	CKSRYB104K25	C	789	CCSSCH220J50	
	C	202,204	ACE7120	C	794	CCSSCH102J50	