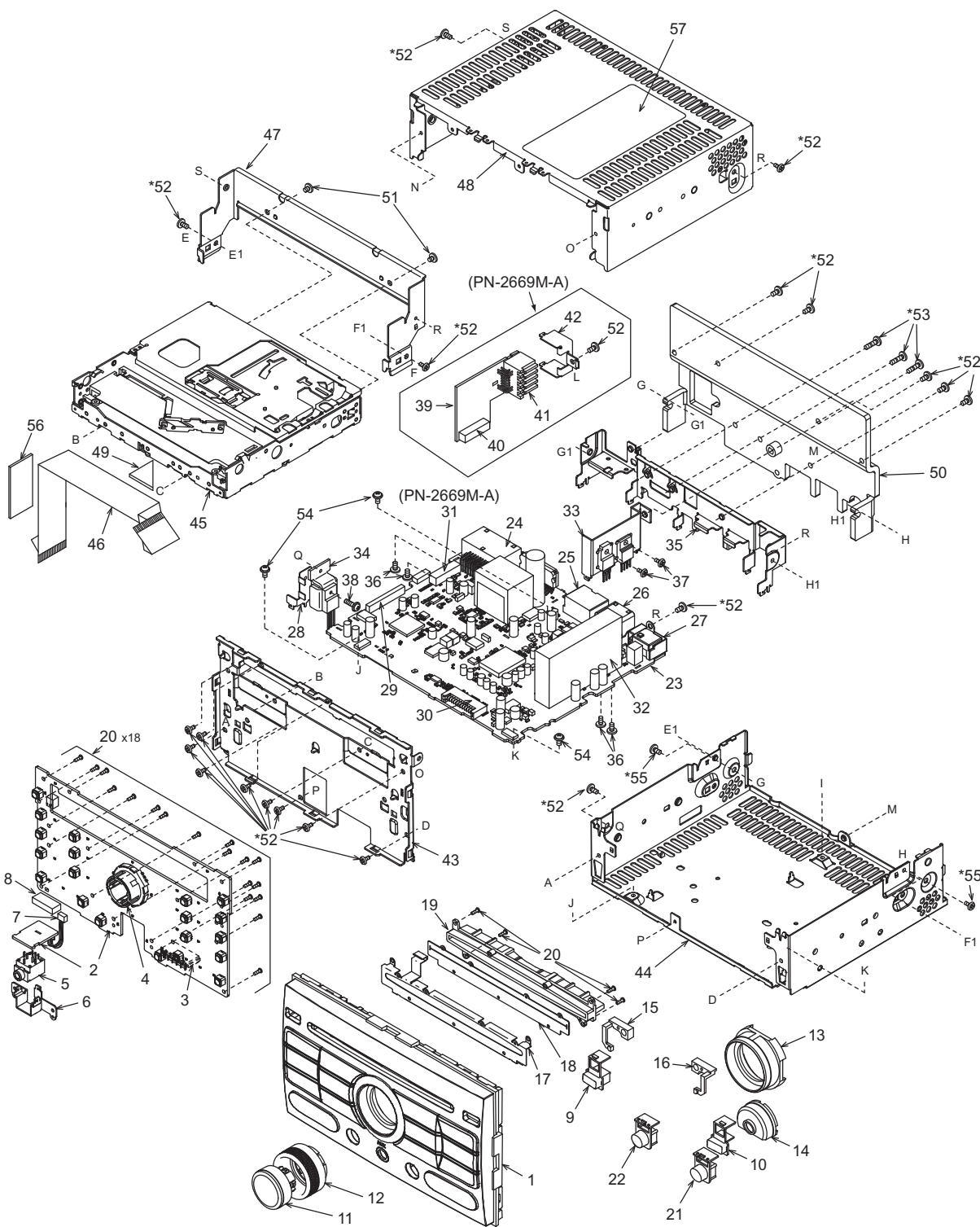
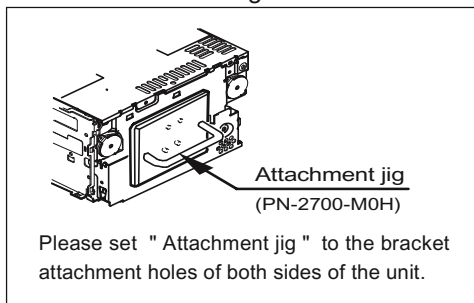


EXPLODED VIEW/PARTS LIST



Caution of assembling



When installing this unit into a vehicle, this unit side is equipped with an attachment bracket.
 In assembling the upper block(CD changer module) and the lower block(main unit) of the unit, please use the " Attachment jig ". (When the screws of mark[*] are tightened)
 After assembling, please check the attachment position of the unit with Attachment jig again.

Note) Some parts depend on each model. The model name is specified in the description.

NO.	PART NO.	DESCRIPTION	Q'TY	NO.	PART NO.	DESCRIPTION	Q'TY
1	940-8070-81 940-8070-83	ESCUTCHEON-ASSY (PN2669MA) ESCUTCHEON-ASSY (PN2669MB)	1	31	076-0368-20	PLUG 20P(PN2669MA)	1
2	-----	SWITCH PWB	1	32	880-2094A	TUNER PACK	1
3	074-1279-70	OUTLET SOCKET	1	33	313-1937-00	SUB HEAT SINK	1
4	016-7005-00	ROTARY ENCODER	1	34	313-1910-00	HEAT SINK(SUB)	1
5	075-0306-00	JACK(AUX)	1	35	307-0712-00	REAR-PLATE	1
6	331-4022-00	JACK HOLDER	1	36	778-3006-00	TAP SCREW(M3 x 5)	4
7	854-4601-50	EXTENSION LEAD	1	37	716-1494-50	IT SCREW(M2.6 x 6)	2
8	345-8217-01	CUSHION RUBBER	1	38	716-1646-50	IT SCREW(M2.6 x 8)	1
9	382-7207-81	BUTTON(MUTE)	1	39	-----	SUB PWB(PN2669MA)	1
10	382-7208-80	BUTTON(EJ)	1	40	074-0898-20	OUTLET SOCKET 20P (PN2669MA)	1
11	382-7225-80	BUTTON(POWER)	1	41	074-1013-00	OUTLET SOCKET A-12MW (PN2669MA)	1
12	380-5607-80	KNOB	1	42	331-3792-00	CONNECTR-HOLDER (PN2669MA)	1
13	335-7343-80	ILLUMI(RING)	1	43	331-4018-00	ES PLATE	1
14	335-7344-80	ILLUMI(AUX)	1	44	311-1904-00	LOWER CASE	1
15	335-7345-80	INDICATOR(L)	1	45	929-5001-81	CD MECH	1
16	335-7346-80	INDICATOR(R)	1	46	816-2549-01	FLAT WIRE	1
17	331-4021-00	SURGE PLATE	1	47	331-3796-00	MECH BRACKET	1
18	346-0149-00	LEATHER SHEET	1	48	310-1793-30	UPPER CASE	1
19	335-6805-00	DISC GUIDE	1	49	345-5802-00	CUSHION RUBBER	1
20	716-0778-50	WAVE SCREW(2 x 6)	22	50	313-1938-00 313-1938-10	HEAT SINK(PN2669MA) HEAT SINK(PN2669MB)	1
21	382-7223-80	BUTTON(<<)	1	51	714-2603-89	MACHINE SCREW(M2.6 x 3)	2
22	382-7224-80	BUTTON(TONE)	1	52	714-2606-8B 714-2606-8B	MACHINE SCREW(M2.6 x 6) (PN2669MA) MACHINE SCREW(M2.6 x 6) (PN2669MB)	21 20
23	-----	MAIN PWB	1	53	714-2612-89	MACHINE SCREW(M2.6 x 12)	3
24	074-4009-20	OUTLET SOCKET(TH18-CS2)	1	54	716-0878-50	IT SCREW(M2.6 x 5)	3
25	074-1284-00	OUTLET SOCKET(TK12 DISP)	1	55	714-2608-89	MACHINE SCREW(M2.6 x 8)	2
26	074-1302-12	OUTLET SOCKET(TH12 TEL)	1	56	347-7400-00	WIRE SUPPORT	1
27	092-2210-00	ANT RECEPT	1	57	982-2049-00 982-2049-10	SETPLATE(PN2669MA) SETPLATE(PN2669MB)	1
28	331-3880-00	TR HOLDER	1				
29	074-1192-26	OUTLET SOCKET(26P)	1				
30	076-0662-70	PLUG(20P)	1				

ELECTRICAL PARTS LIST

Main PWB(B1) section

Note) Some parts depend on each model. The model name is specified in the description.

REF No.	PART No.	DESCRIPTION	REF No.	PART No.	DESCRIPTION	REF No.	PART No.	DESCRIPTION
ANT101	092-2210-00	ANTENNA RECEPT	C325	166-1501-50	15pF CH	C523	168-1042-78	16V 0.1uF
BL101	880-2094A	AM/FM TUNER	C326	168-1042-78	16V 0.1uF	C524	178-8232-78	0.082uF
C101	168-2222-55	2200pF K	C327	168-1832-55	0.018uF K	C525	178-8232-78	0.082uF
C102	166-1511-50	150pF CH	C328	163-4753-55	35V 4.7uF	C526	178-8232-78	0.082uF
C103	166-1007-50	10pF CH	C329	163-1063-35	16V 10uF	C527	178-8232-78	0.082uF
C104	166-4701-50	47pF CH	C330	168-1032-55	0.01uF K	C528	042-1719-90	10V 22uF
C105	168-1022-55	1000pF K	C331	163-1063-35	16V 10uF	C529	189-3373-39	16V 330uF
C106	168-1022-55	1000pF K	C332	168-1032-55	0.01uF K	C530	178-1052-78	1uF
C107	189-1073-29	10V 100uF	C333	163-2263-35	16V 22uF	C531	168-1042-78	16V 0.1uF
C108	166-3301-50	33pF CH	C334	163-4753-55	35V 4.7uF	C532	168-2232-55	0.022uF K
C109	168-4732-78	0.047uF K	C335	163-1063-35	16V 10uF	C533	189-2273-29	10V 220uF
C110	189-1073-29	10V 100uF	C336	043-0548-50	2.2uF	C534	168-2232-55	0.022uF K
C111	168-4732-78	0.047uF K	C337	168-1032-55	0.01uF K	C535	168-2232-55	0.022uF K
C112	168-1022-55	1000pF K	C338	163-1063-35	16V 10uF	C536	168-2232-55	0.022uF K
C113	168-1022-55	1000pF K	C339	168-1032-55	0.01uF K	C537	168-2232-55	0.022uF K
C114	189-1073-29	10V 100uF	C340	168-2232-55	0.022uF K	C539	163-2263-35	16V 22uF
C115	168-1022-55	1000pF K	C341	178-1052-78	1uF	C540	168-2232-55	0.022uF K
C116	168-1022-55	1000pF K	C342	168-4712-55	470pF K	C541	163-1063-35	16V 100uF
C120	119-0000-05	1/10W 0 ohm JW	C343	168-1042-78	16V 0.1uF	C542	163-1073-35	16V 100uF
C121	119-0000-05	1/10W 0 ohm JW	C347	168-1222-55	1200pF K	C543	168-1042-78	16V 0.1uF
C201	166-5096-50	5pF CH(PN2669MA)	C348	168-1042-78	16V 0.1uF	C544	166-4701-50	47pF CH
C202	166-5096-50	5pF CH(PN2669MA)	C354	168-4712-55	470pF K	C545	163-1073-35	16V 100uF
C203	166-5096-50	5pF CH(PN2669MA)	C401	166-1011-50	100pF CH	C546	163-3343-65	50V 0.33uF
C204	166-5096-50	5pF CH(PN2669MA)	C402	166-1011-50	100pF CH	C547	168-2232-55	0.022uF K
C205	168-1522-55	1500pF K	C403	163-4763-35	16V 47uF	C548	168-2232-55	0.022uF K
C206	168-1522-55	1500pF K	C404	166-1801-50	18pF CH	C549	166-4701-50	47pF CH
C207	168-1042-78	16V 0.1uF	C405	168-1042-78	16V 0.1uF	C550	168-2232-55	0.022uF K
C208	168-1042-78	16V 0.1uF	C406	168-1022-55	1000pF K	C551	166-1511-50	150pF CH
C209	189-1073-39	16V 100uF	C407	168-1042-78	16V 0.1uF	C553	168-2232-55	0.022uF K
C210	168-1042-78	16V 0.1uF	C408	166-1011-50	100pF CH	C554	168-1042-78	16V 0.1uF
C212	043-0548-50	2.2uF	C409	166-2201-50	22pF CH	C555	172-1841-15	0.18uF
C213	189-3373-29	10V 330uF	C410	166-2201-50	22pF CH	C556	188-4753-58	35V 4.7uF
C215	189-1073-39	16V 100uF	C412	166-1007-50	10pF CH	C557	042-1718-00	16V 4700uF
C216	043-0568-90	25V 2.2uF	C413	166-1007-50	10pF CH	C558	188-4753-58	35V 4.7uF
C217	168-1042-78	16V 0.1uF	C414	168-1042-78	16V 0.1uF	C559	042-0423-97	16V 10uF
C218	168-1042-78	16V 0.1uF	C415	163-4763-15	6.3V 47uF	C560	168-1042-78	16V 0.1uF
C219	166-1011-50	100pF CH	C416	166-1011-50	100pF CH	C561	168-1042-78	16V 0.1uF
C220	166-1011-50	100pF CH	C417	168-1042-78	16V 0.1uF	C562	189-1073-39	16V 100uF
C221	166-1011-50	100pF CH	C418	168-1042-78	16V 0.1uF	C564	168-2232-55	0.022uF K
C227	168-5632-78	16V 0.056uF	C419	168-1032-55	0.01uF K	C565	168-2232-55	0.022uF K
C228	168-5632-78	16V 0.056uF	C420	166-2201-50	22pF CH	C566	168-6822-55	6800pF K
C229	168-1042-78	16V 0.1uF	C421	166-2201-50	22pF CH	C567	168-2232-55	0.022uF K
C301	178-2242-78	0.22uF	C422	166-2201-50	22pF CH	C568	168-2232-55	0.022uF K
C302	163-3353-65	50V 3.3uF (PN2669MA)	C423	166-2201-50	22pF CH	C569	168-2232-55	0.022uF K
C303	163-3353-65	50V 3.3uF (PN2669MA)	C424	166-2201-50	22pF CH	C570	168-2232-55	0.022uF K
C304	163-3353-65	50V 3.3uF	C425	166-2201-50	22pF CH	C571	168-2232-55	0.022uF K
C305	163-3353-65	50V 3.3uF	C426	043-0548-50	2.2uF	C572	168-2232-55	0.022uF K
C306	168-2232-55	0.022uF K	C427	043-0548-50	2.2uF	C573	178-1052-78	1uF
C307	168-2232-55	0.022uF K	C428	043-0548-50	2.2uF	C574	168-1042-78	16V 0.1uF
C308	168-2212-55	220pF K	C429	043-0548-50	2.2uF	C575	187-1063-37	16V 10uF
C309	168-1022-55	1000pF K (PN2669MA)	C501	178-3322-78	3300pF	C576	168-2232-55	0.022uF K
C310	168-2212-55	220pF K	C502	178-3322-78	3300pF	C577	178-3942-78	0.39uF
C311	168-1022-55	1000pF K (PN2669MA)	C503	178-3322-78	3300pF	C578	163-3363-25	10V 33uF
C312	166-2701-50	27pF CH	C504	178-3322-78	3300pF	C579	117-0000-05	1/8W 0 ohm JW
C313	168-1022-55	1000pF K	C505	166-5611-50	560pF CH	C580	117-0000-05	1/8W 0 ohm JW
C314	166-2701-50	27pF CH	C506	166-5611-50	560pF CH	C581	117-0000-05	1/8W 0 ohm JW
C315	168-1022-55	1000pF K	C507	166-5611-50	560pF CH	C582	117-0000-05	1/8W 0 ohm JW
C316	168-1522-55	1500pF K	C508	166-5611-50	560pF CH	C584	043-0568-90	25V 2.2uF
C317	168-4732-78	0.047uF K	C509	166-2201-50	22pF CH	C585	043-0568-90	25V 2.2uF
C318	163-2263-35	16V 22uF	C510	166-2201-50	22pF CH	CCT401	050-0140-54	1/32W 1k ohm x4J
C319	178-1052-78	1uF	C511	189-1073-39	16V 100uF	CCT402	050-0140-54	1/32W 1k ohm x4J
C320	178-1052-78	1uF	C512	166-2201-50	22pF CH	CCT403	050-0140-54	1/32W 1k ohm x4J
C321	168-1042-78	16V 0.1uF	C513	166-2201-50	22pF CH	CCT404	050-0140-54	1/32W 1k ohm x4J
C322	166-1501-50	15pF CH	C515	166-5611-50	560pF CH	D101	001-0466-90	S5688B
C323	163-4763-35	16V 47uF	C516	166-5611-50	560pF CH	D201	001-0529-32	MA8056-M
C324	168-1042-78	16V 0.1uF	C517	163-1063-35	16V 10uF	D202	001-0516-90	MA111
			C518	168-4722-55	4700pF K	D501	001-0529-49	MA8100-L
			C519	166-5611-50	560pF CH	D502	001-0516-90	MA111
			C520	166-5611-50	560pF CH	D503	001-0529-48	MA8091-H
			C522	163-1063-35	16V 10uF	D505	001-0529-47	MA8091-M

REF No.	PART No.	DESCRIPTION	REF No.	PART No.	DESCRIPTION	REF No.	PART No.	DESCRIPTION
D506	001-0516-90	MA111	R119	119-0000-05	1/10W 0 ohm JW	R334	119-1031-15	1/10W 10k ohm
D507	001-0516-90	MA111	R120	119-0000-05	1/10W 0 ohm JW	R335	119-4711-15	1/10W 470 ohm
D510	001-2015-00	RL253	R201	032-0106-65	1/10W 100k ohm D	R336	119-1031-15	1/10W 10k ohm
D511	001-0516-90	MA111			(PN2669MA)	R337	119-1031-15	1/10W 10k ohm
D513	001-0466-90	S5688B	R202	032-0106-65	1/10W 100k ohm D	R338	119-1021-15	1/10W 1k ohm
D514	001-0529-48	MA8091-H			(PN2669MA)	R339	119-1021-15	1/10W 1k ohm
D515	001-0516-90	MA111	R203	032-0106-65	1/10W 100k ohm D	R340	119-1021-15	1/10W 1k ohm
D516	001-0529-34	MA8062-L			(PN2669MA)	R341	119-1021-15	1/10W 1k ohm
D517	001-0516-90	MA111	R204	032-0106-65	1/10W 100k ohm D	R342	119-4731-15	1/10W 47k ohm
D518	001-0516-90	MA111			(PN2669MA)	R343	119-4731-15	1/10W 47k ohm
D522	001-0516-90	MA111	R205	032-0106-69	1/10W 39k ohm D	R344	119-0000-05	1/10W 0 ohm JW
IC201	051-3020-90	NJM4565V			(PN2669MA)	R346	168-2222-55	2200pF K
		(PN2669MA)	R206	032-0106-69	1/10W 39k ohm D	R347	168-2222-55	2200pF K
IC202	051-3340-00	LD1085P			(PN2669MA)	R348	168-2222-55	2200pF K
IC301	051-6360-30	SAA7706H-N210	R207	032-0106-69	1/10W 39k ohm D	R349	168-2222-55	2200pF K
IC401	051-6212-08	LC72191JM-TLM			(PN2669MA)	R401	119-1021-15	1/10W 1k ohm
IC402	051-9421-91	BR24L08FVM-WTR	R208	032-0106-69	1/10W 39k ohm D	R402	119-1021-15	1/10W 1k ohm
IC403	052-3208-00	M30843MW-M08GP			(PN2669MA)	R403	119-1021-15	1/10W 1k ohm
IC404	051-6607-08	PCA82C250T-T	R210	119-3011-15	1/10W 300 ohm	R404	119-0000-05	1/10W 0 ohm JW
IC405	051-5417-08	S-80927CNMC-G8X	R213	032-0140-89	1/10W 47k ohm F	R405	119-1021-15	1/10W 1k ohm
IC406	051-3020-90	NJM4565V	R214	032-0140-89	1/10W 47k ohm F	R406	119-1021-15	1/10W 1k ohm
IC501	051-3019-90	NJM2060V	R221	117-2211-15	1/8W 220 ohm	R407	119-1021-15	1/10W 1k ohm
IC502	051-3343-00	NJM2396F33	R222	119-1041-15	1/10W 100k ohm	R408	119-1021-15	1/10W 1k ohm
IC503	051-2055-00	TDA8593J/N3	R223	119-4721-15	1/10W 4.7k ohm	R409	119-4731-15	1/10W 47k ohm
IC505	051-3341-90	BD3931FP	R226	119-4721-15	1/10W 4.7k ohm	R410	119-4721-15	1/10W 4.7k ohm
IC506	051-5441-08	BD4828G-TR	R229	032-0140-98	1/10W 330 ohm F	R411	119-4731-15	1/10W 47k ohm
IC507	051-0352-91	TA78L05F	R230	032-0140-70	1/10W 1.8k ohm F	R412	119-4731-15	1/10W 47k ohm
J201	074-1302-12	12P	R232	119-4731-15	1/10W 47k ohm	R413	119-3311-15	1/10W 330 ohm
J202	074-1192-26	26P	R233	119-1021-15	1/10W 1k ohm	R414	119-3311-15	1/10W 330 ohm
J204	074-1284-00	12P	R234	119-1031-15	1/10W 10k ohm	R415	119-4721-15	1/10W 4.7k ohm
J502	074-4009-20	SOCKET(20P)	R235	119-6821-15	1/10W 6.8k ohm	R416	119-4721-15	1/10W 4.7k ohm
L101	010-2003-04	30uH	R236	119-4731-15	1/10W 47k ohm	R417	119-4721-15	1/10W 4.7k ohm
L102	010-3407-60	22uH J	R238	119-3911-15	1/10W 390 ohm	R418	119-1031-15	1/10W 10k ohm
L103	010-3407-56	3.3uH J	R239	119-3911-15	1/10W 390 ohm	R419	119-1031-15	1/10W 10k ohm
L104	010-3406-54	2.2uH J	R240	119-3911-15	1/10W 390 ohm	R420	119-1011-15	1/10W 100 ohm
L201	010-3406-66	22uH J	R241	119-3911-15	1/10W 390 ohm	R421	119-1011-15	1/10W 100 ohm
L301	010-2285-76	600 ohm/100MHz	R242	119-3911-15	1/10W 390 ohm	R422	119-1021-15	1/10W 1k ohm
L302	010-3407-70	47uH J	R243	119-3911-15	1/10W 390 ohm	R423	119-1011-15	1/10W 100 ohm
L303	010-2285-76	600 ohm/100MHz	R301	119-1041-15	1/10W 100k ohm	R424	119-1011-15	1/10W 100 ohm
L401	010-3406-66	22uH J	R302	119-6821-15	1/10W 6.8k ohm	R426	119-4731-15	1/10W 47k ohm
L402	010-3601-50	600 ohm/100MHz			(PN2669MA)	R428	119-1031-15	1/10W 10k ohm
L403	010-3406-54	2.2uH J	R303	119-6821-15	1/10W 6.8k ohm	R429	119-1031-15	1/10W 10k ohm
L501	010-3406-66	22uH J			(PN2669MA)	R430	119-2221-15	1/10W 2.2k ohm
L503	010-3105-62	1k ohm/100MHz	R304	119-7521-15	1/10W 7.5k ohm	R431	119-4731-15	1/10W 47k ohm
L504	010-3105-62	1k ohm/100MHz	R305	119-7521-15	1/10W 7.5k ohm	R433	119-4731-15	1/10W 47k ohm
L505	010-8040-00	Choke coil 370uH	R306	032-0140-89	1/10W 47k ohm F	R434	119-1031-15	1/10W 10k ohm
P201	076-0368-20	20P	R307	032-0140-89	1/10W 47k ohm F	R435	119-4731-15	1/10W 47k ohm
P401	076-0478-59	PLUG (9P)	R308	119-2231-15	1/10W 22k ohm	R436	119-4731-15	1/10W 47k ohm
P402	076-0662-70	20P	R309	119-2231-15	1/10W 22k ohm	R437	119-1021-15	1/10W 1k ohm
Q101	190-1162-00	2SA1162	R310	032-0140-63	1/10W 27k ohm F	R438	119-4731-15	1/10W 47k ohm
Q102	125-2032-92	RN1302	R311	119-5631-15	1/10W 56k ohm	R439	119-1021-15	1/10W 1k ohm
Q202	193-2118-00	2SD2118F5 Q,R,S	R312	032-0140-88	1/10W 100k ohm F	R440	119-1021-15	1/10W 1k ohm
Q203	125-9017-92	UMD3N-TR	R313	119-2721-15	1/10W 2.7k ohm	R441	119-2231-15	1/10W 22k ohm
Q205	125-0006-90	UN2110			(PN2669MA)	R442	119-4731-15	1/10W 47k ohm
Q206	125-2005-91	UN2211	R314	119-2721-15	1/10W 2.7k ohm	R443	119-4731-15	1/10W 47k ohm
Q301	125-2032-92	RN1302			(PN2669MA)	R444	119-0000-05	1/10W 0 ohm JW
Q302	125-2032-92	RN1302	R315	119-1031-15	1/10W 10k ohm	R445	119-1011-15	1/10W 100 ohm
Q503	103-2012-00	2SD2012	R316	119-1031-15	1/10W 10k ohm	R446	119-1011-15	1/10W 100 ohm
Q504	191-1240-00	2SB1240	R318	119-1001-15	1/10W 10 ohm	R447	119-1031-15	1/10W 10k ohm
Q505	125-2032-96	RN1306	R319	119-1001-15	1/10W 10 ohm	R448	119-4721-15	1/10W 4.7k ohm
Q506	191-1240-00	2SB1240	R320	119-1011-15	1/10W 100 ohm	R449	119-4721-15	1/10W 4.7k ohm
Q507	125-2032-96	RN1306	R321	119-0000-05	1/10W 0 ohm JW	R450	119-4731-15	1/10W 47k ohm
Q508	193-2118-00	2SD2118F5 Q,R,S	R322	119-1031-15	1/10W 10k ohm			(PN2669MB)
Q510	193-2118-00	2SD2118F5 Q,R,S	R323	119-0000-05	1/10W 0 ohm JW	R451	119-4731-15	1/10W 47k ohm
Q511	191-1204-61	2SB1204 R,S,T	R324	119-1031-15	1/10W 10k ohm	R452	119-4731-15	1/10W 47k ohm
Q512	192-4116-51	2SC4116 G,L	R325	119-1011-15	1/10W 100 ohm	R453	032-0148-56	1/16W 68k ohm
Q513	191-1197-50	2SB1197K Q,R	R326	119-1011-15	1/10W 100 ohm	R454	032-0148-56	1/16W 68k ohm
Q514	125-2032-92	RN1302	R327	119-1031-15	1/10W 10k ohm	R455	032-0148-56	1/16W 68k ohm
Q515	125-2032-92	RN1302	R328	119-1031-15	1/10W 10k ohm	R456	032-0148-56	1/16W 68k ohm
Q516	125-2032-92	RN1302	R329	119-1011-15	1/10W 100 ohm	R457	032-0148-51	1/10W 47k ohm
Q517	192-4116-00	2SC4116	R330	119-1031-15	1/10W 10k ohm	R458	032-0148-51	1/10W 47k ohm
Q518	192-4116-00	2SC4116	R331	119-1011-15	1/10W 100 ohm	R459	032-0148-51	1/10W 47k ohm
R107	119-1031-15	1/10W 10k ohm	R332	119-0000-05	1/10W 0 ohm JW	R460	032-0148-51	1/10W 47k ohm
R108	119-1031-15	1/10W 10k ohm	R333	119-0000-05	1/10W 0 ohm JW	R461	119-1031-15	1/10W 10k ohm

REF No.	PART No.	DESCRIPTION	REF No.	PART No.	DESCRIPTION	REF No.	PART No.	DESCRIPTION
R462	119-1031-15	1/10W 10k ohm	R520	119-1031-15	1/10W 10k ohm	R566	119-1041-15	1/10W 100k ohm
R463	119-1021-15	1/10W 1k ohm	R521	119-1031-15	1/10W 10k ohm	R567	119-1031-15	1/10W 10k ohm
R464	119-1021-15	1/10W 1k ohm	R523	119-1031-15	1/10W 10k ohm	R568	119-4721-15	1/10W 4.7k ohm
R465	119-1021-15	1/10W 1k ohm	R524	119-1031-15	1/10W 10k ohm	R569	119-4721-15	1/10W 4.7k ohm
R466	119-1021-15	1/10W 1k ohm	R525	116-1221-15	1/4W 1.2k ohm	R570	119-4721-15	1/10W 4.7k ohm
R467	119-1021-15	1/10W 1k ohm	R526	119-0000-05	1/10W 0 ohm JW	R571	119-4731-15	1/10W 47k ohm
R468	119-1021-15	1/10W 1k ohm	R527	119-0000-05	1/10W 0 ohm JW	R572	032-0148-54	1/16W 180k ohm
R469	119-1021-15	1/10W 1k ohm	R528	119-1031-15	1/10W 10k ohm	R573	032-0148-50	1/10W 100k ohm
R470	119-1021-15	1/10W 1k ohm	R529	119-0000-05	1/10W 0 ohm JW	R574	116-4721-15	1/4W 4.7k ohm
R471	119-1021-15	1/10W 1k ohm	R530	119-0000-05	1/10W 0 ohm JW	R575	119-2731-15	1/10W 27k ohm
R472	119-1021-15	1/10W 1k ohm	R531	116-2211-15	1/4W 220 ohm	R576	116-2721-15	1/4W 2.7k ohm
R473	119-4731-15	1/10W 47k ohm	R532	116-1091-15	1/4W 1 ohm	R577	119-4731-15	1/10W 47k ohm
R474	119-1041-15	1/10W 100k ohm	R533	119-1031-15	1/10W 10k ohm	R578	116-1531-15	1/4W 15k ohm
R475	119-1021-15	1/10W 1k ohm	R535	119-0000-05	1/10W 0 ohm JW	R579	119-2221-15	1/10W 2.2k ohm
R476	119-1041-15	1/10W 100k ohm	R536	117-1001-15	1/8W 10 ohm	R581	116-1531-15	1/4W 15k ohm
R477	119-1041-15	1/10W 100k ohm	R537	116-6811-15	1/4W 680 ohm	R582	116-1201-15	1/4W 12 ohm
R478	119-4731-15	1/10W 47k ohm	R538	119-0000-05	1/10W 0 ohm JW	R583	116-1201-15	1/4W 12 ohm
R479	119-4731-15	1/10W 47k ohm	R539	117-1001-15	1/8W 10 ohm	R585	119-5611-15	1/10W 560 ohm
R480	119-1021-15	1/10W 1k ohm	R540	119-1031-15	1/10W 10k ohm	R586	119-1031-15	1/10W 10k ohm
R481	119-1021-15	1/10W 1k ohm	R541	117-1001-15	1/8W 10 ohm	R587	119-0000-05	1/10W 0 ohm JW
R482	119-0000-05	1/10W 0 ohm JW	R542	117-1001-15	1/8W 10 ohm	R588	116-1011-15	1/4W 100 ohm
R483	119-0000-05	1/10W 0 ohm JW	R543	119-1231-15	1/10W 12k ohm	R589	116-1221-15	1/4W 1.2k ohm
R484	119-1041-15	1/10W 100k ohm	R545	119-0000-05	1/10W 0 ohm JW	R591	119-0000-05	1/10W 0 ohm JW
R486	119-1031-15	1/10W 10k ohm	R546	119-0000-05	1/10W 0 ohm JW	R592	119-0000-05	1/10W 0 ohm JW
R501	119-1031-15	1/10W 10k ohm	R547	119-0000-05	1/10W 0 ohm JW	R593	119-0000-05	1/10W 0 ohm JW
R502	119-1031-15	1/10W 10k ohm	R548	119-0000-05	1/10W 0 ohm JW	R594	119-0000-05	1/10W 0 ohm JW
R503	119-1031-15	1/10W 10k ohm	R549	119-2201-15	1/10W 22 ohm	R605	119-5631-15	1/10W 56k ohm
R504	119-1031-15	1/10W 10k ohm	R550	116-1221-15	1/4W 1.2k ohm	SUP121	060-0122-91	DSP-141N-S00B
R505	119-1031-15	1/10W 10k ohm	R551	117-1001-15	1/8W 10 ohm	TC401	004-1580-60	30pF
R506	119-1031-15	1/10W 10k ohm	R552	116-1221-15	1/4W 1.2k ohm	TH201	002-0229-90	PTH8L05B
R507	119-1031-15	1/10W 10k ohm	R553	116-1221-15	1/4W 1.2k ohm	TH502	002-0229-90	PTH8L05B
R508	119-1031-15	1/10W 10k ohm	R554	117-1001-15	1/8W 10 ohm	TH503	002-0229-90	PTH8L05B
R510	119-1031-15	1/10W 10k ohm	R555	116-4711-15	1/4W 470 ohm	TM101	073-0768-90	TERMINAL
R511	119-1031-15	1/10W 10k ohm	R556	119-1031-15	1/10W 10k ohm	X301	061-3536-80	CRYSTAL 11.2896MHz
R513	119-1051-15	1/10W 1M ohm	R557	119-1031-15	1/10W 10k ohm	X401	061-1066-00	7.2MHz
R514	119-1051-15	1/10W 1M ohm	R558	117-1001-15	1/8W 10 ohm	X402	061-3541-90	CRYSTAL 10MHz
R515	119-1051-15	1/10W 1M ohm	R559	119-4721-15	1/10W 4.7k ohm	PWB	039-2921-00	PWB(WITHOUT COMPONENTS)
R516	119-1051-15	1/10W 1M ohm	R560	117-1001-15	1/8W 10 ohm			
R517	119-1031-15	1/10W 10k ohm	R561	119-3321-15	1/10W 3.3k ohm			
R518	119-1031-15	1/10W 10k ohm	R564	119-1041-15	1/10W 100k ohm			
R519	116-1091-15	1/4W 1 ohm	R565	119-1521-15	1/10W 1.5k ohm			

Switch PWB(B2) section

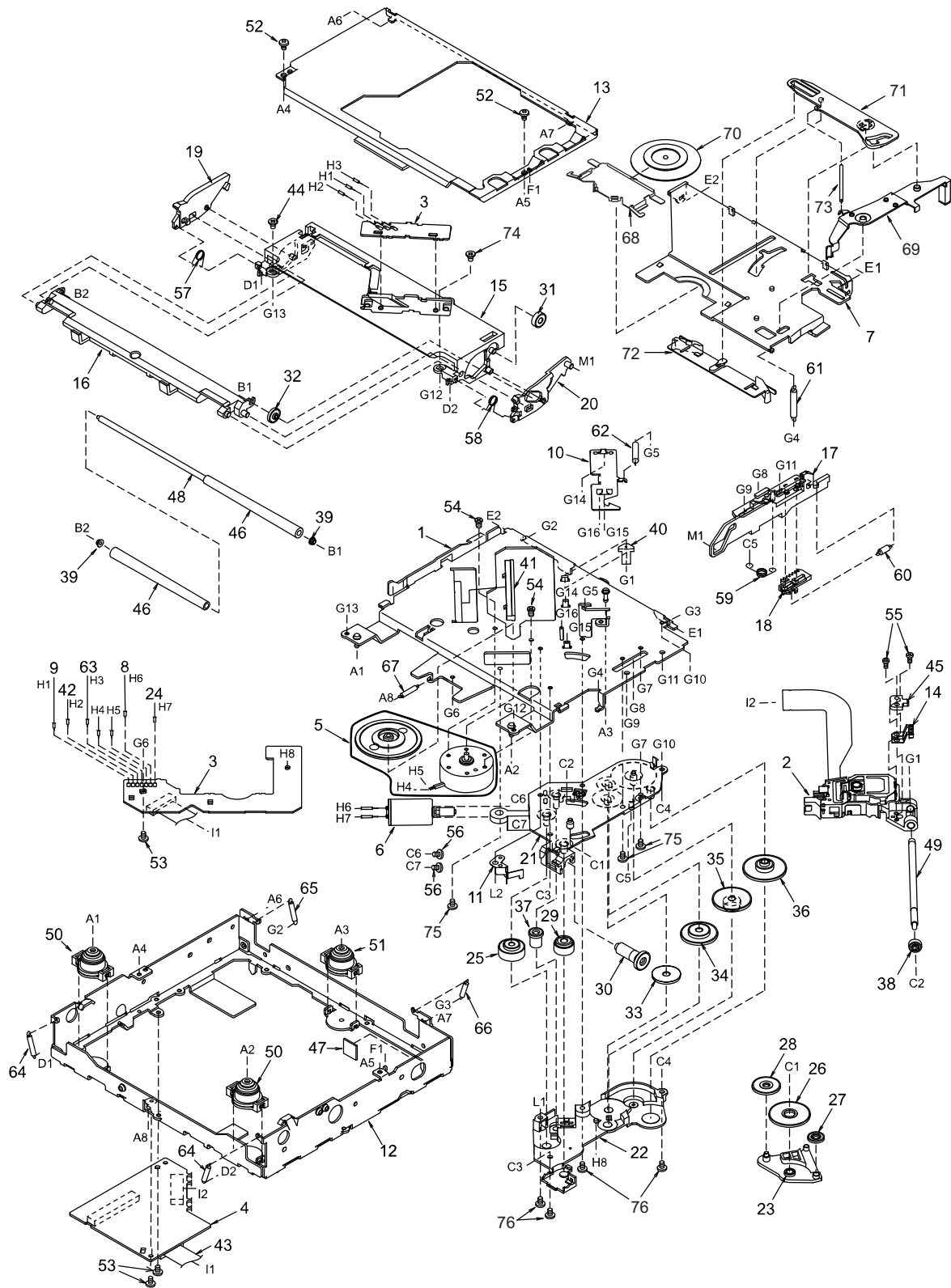
REF No.	PART No.	DESCRIPTION	REF No.	PART No.	DESCRIPTION	REF No.	PART No.	DESCRIPTION
C601	168-1042-78	16V 0.1uF	D615	001-7093-91	RFY1112H-16-TR YEL	D638	001-7093-91	RFY1112H-16-TR YEL
D601	001-7093-91	RFY1112H-16-TR YEL	D616	001-7093-91	RFY1112H-16-TR YEL	D639	001-7093-91	RFY1112H-16-TR YEL
D602	001-7093-91	RFY1112H-16-TR YEL	D617	001-7093-91	RFY1112H-16-TR YEL	D640	001-7093-91	RFY1112H-16-TR YEL
D603	001-7093-91	RFY1112H-16-TR YEL	D618	001-7093-91	RFY1112H-16-TR YEL	D641	001-7093-91	RFY1112H-16-TR YEL
D604	001-7093-91	RFY1112H-16-TR YEL	D624	001-0529-72	MA8200-M	D644	001-7093-91	RFY1112H-16-TR YEL
D605	001-7093-91	RFY1112H-16-TR YEL	D625	001-0529-72	MA8200-M	D645	001-7093-91	RFY1112H-16-TR YEL
D606	001-7093-91	RFY1112H-16-TR YEL	D626	001-0529-72	MA8200-M			
D607	001-7093-91	RFY1112H-16-TR YEL	D627	001-0529-72	MA8200-M	IC601	051-6618-18	M6606FP-42A
D608	001-7093-91	RFY1112H-16-TR YEL	D628	001-7093-91	RFY1112H-16-TR YEL	J601	074-1279-70	20P
D609	001-7093-91	RFY1112H-16-TR YEL	D629	001-7093-91	RFY1112H-16-TR YEL	P601	076-0478-55	PLUG
D610	001-7093-91	RFY1112H-16-TR YEL	D630	001-7093-91	RFY1112H-16-TR YEL	R601	119-0000-05	1/10W 0 ohm JW
D611	001-7093-91	RFY1112H-16-TR YEL	D631	001-7093-91	RFY1112H-16-TR YEL	R602	119-1021-15	1/10W 1k ohm
D612	001-7093-91	RFY1112H-16-TR YEL	D633	001-7093-91	RFY1112H-16-TR YEL	R603	119-1021-15	1/10W 1k ohm
D613	001-7093-91	RFY1112H-16-TR YEL	D634	001-7093-91	RFY1112H-16-TR YEL	R604	119-1021-15	1/10W 1k ohm
D614	001-7093-91	RFY1112H-16-TR YEL	D635	001-7093-91	RFY1112H-16-TR YEL	R605	119-1021-15	1/10W 1k ohm
			D636	001-7093-91	RFY1112H-16-TR YEL	R606	119-1021-15	1/10W 1k ohm
						R609	116-1821-15	1/4W 1.8k ohm
						R610	119-2231-15	1/10W 22k ohm
						R611	116-7511-15	1/4W 750 ohm
						R612	119-2231-15	1/10W 22k ohm
						R613	119-2231-15	1/10W 22k ohm
						R614	116-4721-15	1/4W 4.7k ohm
						R615	119-2231-15	1/10W 22k ohm
						R616	116-6821-15	1/4W 6.8k ohm

REF No.	PART No.	DESCRIPTION	REF No.	PART No.	DESCRIPTION	REF No.	PART No.	DESCRIPTION
R617	116-6821-15	1/4W 6.8k ohm	S605	013-6204-50	TACT SW	S615	013-6206-50	SKPMANE010
R618	116-5621-15	1/4W 5.6k ohm			SKPMASE010	S616	013-6206-50	SKPMANE010
R619	116-2721-15	1/4W 2.7k ohm	S606	013-6204-50	TACT SW	S617	013-6206-50	SKPMANE010
R620	116-2221-15	1/4W 2.2k ohm			SKPMASE010	S618	013-6204-50	TACT SW
R621	116-2421-15	1/4W 2.4k ohm	S607	013-6206-50	SKPMANE010			SKPMASE010
R622	116-2721-15	1/4W 2.7k ohm	S608	013-6206-50	SKPMANE010	S619	013-6204-50	TACT SW
R623	116-2421-15	1/4W 2.4k ohm	S609	013-6206-50	SKPMANE010			SKPMASE010
R624	116-4721-15	1/4W 4.7k ohm	S610	013-6206-50	SKPMANE010	S620	013-6206-50	SKPMANE010
R625	116-4721-15	1/4W 4.7k ohm	S611	013-6206-50	SKPMANE010	S621	013-6206-50	SKPMANE010
S601	013-6206-50	SKPMANE010	S612	013-6206-50	SKPMANE010	S623	013-6206-50	SKPMANE010
S603	013-6206-50	SKPMANE010	S613	013-6206-50	SKPMANE010	PWB	039-2922-00	PWB(WITHOUT COMPONENTS)
S604	013-6206-50	SKPMANE010	S614	013-6206-50	SKPMANE010			

Sub PWB(B3) section (For PN-2669M-A)

REF No.	PART No.	DESCRIPTION	REF No.	PART No.	DESCRIPTION	REF No.	PART No.	DESCRIPTION
C820	043-0548-50	2.2uF	D825	001-0516-90	MA111	R821	119-3011-15	1/10W 300 ohm
C821	043-0548-50	2.2uF	D826	001-0516-90	MA111	R822	119-1021-15	1/10W 1k ohm
C822	043-0548-50	2.2uF	J820	074-1013-00	12P	R824	119-5621-15	1/10W 5.6k ohm
C823	043-0548-50	2.2uF	J821	074-0898-20	20P	R825	119-5621-15	1/10W 5.6k ohm
C824	168-2232-55	0.022uF K	L801	010-3105-62	1k ohm/100MHz	R827	119-5631-15	1/10W 56k ohm
C826	168-1022-55	1000pF K	L802	010-3105-62	1k ohm/100MHz	R828	119-5631-15	1/10W 56k ohm
C827	168-1022-55	1000pF K	L803	010-3105-62	1k ohm/100MHz	R830	119-1031-15	1/10W 10k ohm
C828	168-1022-55	1000pF K	L804	010-3105-62	1k ohm/100MHz	R831	119-1031-15	1/10W 10k ohm
C831	168-1022-55	1000pF K	Q820	192-4116-00	2SC4116	R836	119-5631-15	1/10W 56k ohm
C832	168-1022-55	1000pF K	Q824	192-4116-00	2SC4116	R837	119-1031-15	1/10W 10k ohm
C833	168-1022-55	1000pF K	Q825	192-4116-00	2SC4116	R840	119-2231-15	1/10W 22k ohm
C834	168-1022-55	1000pF K	Q826	125-0020-91	UN5111	R842	119-4731-15	1/10W 47k ohm
D820	001-0529-44	MA8082-M	Q829	125-2026-91	UN5211	PWB	039-2559-00	PWB(WITHOUT COMPONENTS)
D823	001-4305-39	UDZSTE-17 36B	R820	119-3011-15	1/10W 300 ohm			

EXPLODED VIEW / PARTS LIST



ELECTRICAL PARTS LIST

CD PWB(BM1) section

NO.	PART NO.	DESCRIPTION	Q'TY	NO.	PART NO.	DESCRIPTION	Q'TY
1	966-1743-21	DRIVE-PLT-ASSY	1	39	621-1726-20	ROLLER SLEEVE	2
2	969-0071-30	PICKUP-ASSY	1	40	621-0623-23	LS-HOLDER	1
3	-----	LED PWB	1	41	621-0624-22	GUIDE RAIL	1
4	-----	CD PWB	1	42	816-2593-00	LEAD(PUR)	1
5	SMA-182-100	MOTOR ASSY(SPINDLE)	1	43	816-2542-01	FLAT WIRE	1
6	SMA-183-100	MOTOR ASSY(SLED)	1	44	716-3473-01	SCREW(M2x3)	1
7	620-1596-23	CLAMPER LINK	1	45	621-1729-20	SH-BASE	1
8	803-4906-60	VINYL-COAT-WIRE(ORG)	1	46	621-0711-20	LOADING ROLLER	2
9	816-2591-00	LEAD(YEL)	1	47	345-5476-20	CUSHION RUBBER	1
10	620-1753-20	ID-LOCK PLATE	1	48	622-1571-21	ROLLER SHAFT	1
11	620-1026-21	SPRING PLATE	1	49	624-0020-00	LEAD SCREW	1
12	620-1754-20	LOWER CHASSIS	1	50	629-0086-20	DAMPER F	2
13	620-1598-22	UPPER CHASSIS	1	51	629-0087-20	DAMPER R	1
14	966-1722-20	SH-RACK-ASSY	1	52	714-2003-8B	MACHIN SCREW(M2x3)	2
15	621-1742-20	UPPER GUIDE	1	53	716-1507-01	SCREW(M2x3)	3
16	621-0718-21	ROLLER GUIDE	1	54	716-1733-01	SCREW(M1.7x2.3)	2
17	621-1743-20	SHIFT LEVER	1	55	716-3469-01	SCREW(M3x4)	2
18	621-1744-20	RACK	1	56	716-3551-00	SCREW(M1.4x2.5)	2
19	621-1745-20	LOCK ARM L	1	57	750-6797-20	ROLLER SPRING L	1
20	621-1746-20	LOCK ARM R	1	58	750-6798-20	ROLLER SPRING R	1
21	621-1754-20	GEAR BASE	1	59	750-3467-21	SHIFT SPRING	1
22	621-1747-20	GEAR COVER	1	60	750-3468-20	RACK SPRING	1
23	621-1719-20	IDLE CASE	1	61	750-3469-20	CLAMPER SPRING	1
24	816-2590-00	LEAD(GRN)	1	62	750-3470-20	ID-LOCK SPRING	1
25	621-0608-21	SECOND GEAR	1	63	816-2592-00	LEAD(BLU)	1
26	621-0609-20	BASE GEAR	1	64	750-3472-21	DR-SPRING F	2
27	621-0610-20	IDLE GEAR A	1	65	750-3473-20	DR-SPRING RA	1
28	621-0611-20	IDLE GEAR B	1	66	750-3474-20	DR-SPRING RB	1
29	621-0612-21	ROLLER GEAR A	1	67	750-3475-21	DR-SPRING C	1
30	621-0719-20	ROLLER GEAR	1	68	620-1023-23	CLAMPER PLATE	1
31	621-0720-20	ROLLER GEAR C	1	69	620-1752-20	SENSOR ARM	1
32	621-0721-20	ROLLER GEAR D	1	70	621-1753-20	CLAMPER RING	1
33	621-1748-20	POWER GEAR A	1	71	621-0728-20	STOPPER LINK	1
34	621-1749-20	POWER GEAR B	1	72	621-1752-20	DISC STOPPER	1
35	621-1750-20	POWER GEAR C	1	73	750-3471-20	SENSOR SPRING	1
36	621-1751-20	POWER GEAR D	1	74	781-1730-00	SCREW(M1.7x3)	1
37	621-0620-20	THREAD GEAR A	1	75	780-2025-00	SCREW(M2x2.5)	3
38	621-0621-20	THREAD GEAR B	1	76	716-1670-01	SCREW(M2x4)	4

REF No.	PART No.	DESCRIPTION	REF No.	PART No.	DESCRIPTION	REF No.	PART No.	DESCRIPTION
C1	168-1042-78	16V 0.1uF	C35	046-6812-58	680pF	R9	033-2211-15	1/10W 220 ohm
C3	163-2273-05	4V220uF	C36	168-1042-78	16V 0.1uF	R11	033-1051-15	1/10W 1M ohm
C4	168-1042-78	16V 0.1uF	C37	168-1042-78	16V 0.1uF	R12	119-2221-15	1/10W 2.2k ohm
C5	163-1073-35	16V100uF	C38	046-1522-58	1500pF	R13	033-2211-15	1/10W 220 ohm
C6	163-1073-35	16V100uF	C39	046-4722-58	4700pF	R14	033-2211-15	1/10W 220 ohm
C7	168-1042-78	16V 0.1uF	C40	046-1032-78	0.01uF	R16	033-2231-15	1/10W 22k ohm
C9	178-1052-78	1uF	C41	046-1532-78	0.015uF	R17	033-3921-15	1/10W 3.9k ohm
C10	042-0560-85	6.3V100uF	C43	168-1042-78	16V 0.1uF	R18	033-3341-15	1/10W 330k ohm
C11	048-4712-58	470pF	C47	045-4701-50	47pF	R19	033-5621-15	1/10W 5.6k ohm
C12	178-1052-78	1uF	C48	168-1042-78	16V 0.1uF	R21	033-2231-15	1/10W 22k ohm
C13	046-4712-58	470pF	C49	168-1042-78	16V 0.1uF	R22	033-4731-15	1/10W 47k ohm
C15	168-1042-78	16V 0.1uF	C50	042-0666-00	12.5V 22uF	R24	033-1041-15	1/10W 100k ohm
C16	168-4732-78	0.047uF	C51	046-5622-58	5600pF	R26	033-1531-15	1/10W 15k ohm
C17	168-4732-78	0.047uF	C52	178-1052-78	1uF	R27	033-4731-15	1/10W 47k ohm
C18	168-1042-78	16V 0.1uF	C53	045-1007-50	10pF	R28	033-1831-15	1/10W 18k ohm
C19	168-1042-78	16V 0.1uF	C54	045-1007-50	10pF	R29	033-6821-15	1/10W 6.8k ohm
C21	046-6822-58	6800pF	C55	178-1052-78	1uF	R30	033-8231-15	1/10W 82k ohm
C22	046-3332-78	0.033uF	CCT2	050-0140-63	1/32W 47k ohm x4J	R31	033-9231-15	1/10W 92k ohm
C24	178-1052-78	1uF	D1	001-0367-91	1SS226	R32	119-1001-15	1/10W 10 ohm
C25	168-1042-78	16V 0.1uF	IC1	051-6071-08	BA5825FP-E2	R33	033-2731-15	1/10W 27k ohm
C26	168-1042-78	16V 0.1uF	IC2	051-6399-00	TC94A15F	R34	033-2731-15	1/10W 27k ohm
C28	168-1042-78	16V 0.1uF	J101	074-1228-76	26P	R35	033-2731-15	1/10W 27k ohm
C29	168-1042-78	16V 0.1uF	J201	074-1138-65	15P	R36	033-2731-15	1/10W 27k ohm
C30	045-6801-50	680pF	J301	074-1138-60	10P	R37	032-0162-50	1/10W 0.51 ohm
C31	168-1042-78	16V 0.1uF	Q1	131-1188-50	2SB1188PQR	TM1	073-0768-00	TERMINAL
C32	168-1042-78	16V 0.1uF	Q2	131-1188-50	2SB1188PQR	X2	061-3534-90	16.92MHz
C33	046-1532-78	0.015uF	R1	117-6811-15	1/8W 680 ohm	PWB	039-2846-20	PWB(WITHOUT COMPONENT)
C34	168-1042-78	16V 0.1uF	R2	117-1001-15	1/8W 10 ohm			

LED PWB(BM2) section

REF No.	PART No.	DESCRIPTION	REF No.	PART No.	DESCRIPTION	REF No.	PART No.	DESCRIPTION
D1	001-7058-90	AN1105W-RR	Q1	060-4015-91	PS1192HB-33-TR	S2	013-7413-50	LIMIT
D2	001-7058-90	AN1105W-RR	Q2	060-4015-91	PS1192HB-33-TR	PWB	039-1944-21	PWB(WITHOUT COMPONENT)
J1	074-1138-60	10P	S1	013-7414-50	CHUCKING			