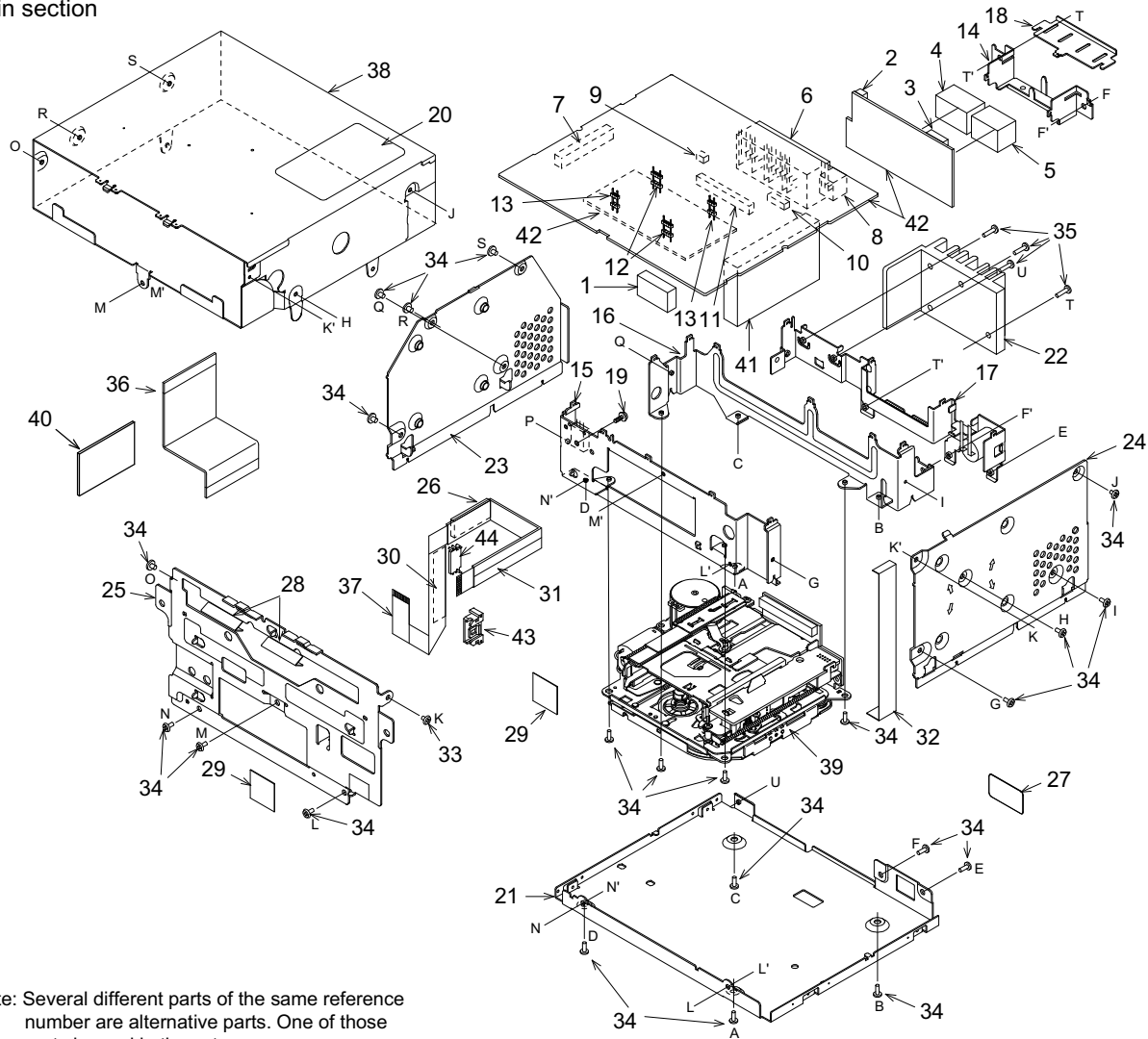


EXPLODED VIEW / PARTS LIST

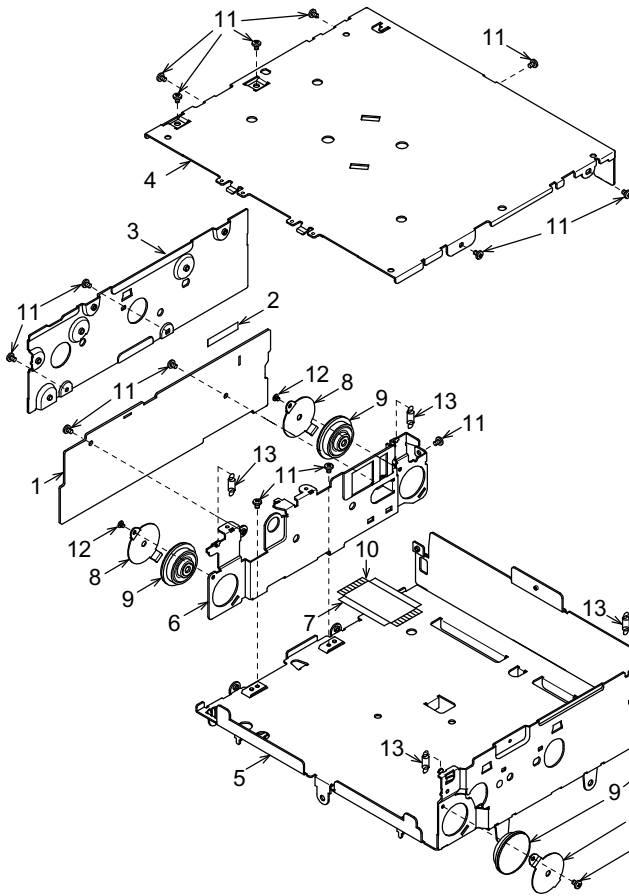
Main section



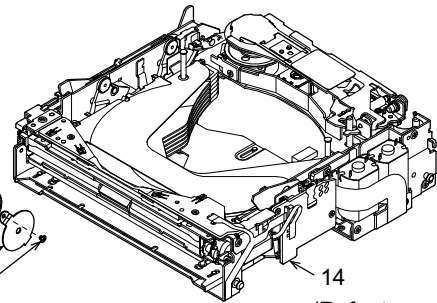
Note: Several different parts of the same reference number are alternative parts. One of those parts is used in the set.

NO.	PART NO.	DESCRIPTION	Q'TY	NO.	PART NO.	DESCRIPTION	Q'TY
1	074-0834-10	OUTLET SOCKET(10P)	1	24	331-3259-22	SIDE CASE(R)	1
2	074-0898-06	OUTLET SOCKET(6P)	1	25	331-3519-01	ES-PLATE	1
3	074-0898-16	OUTLET SOCKET(16P)	1	26	345-5300-01	CUSHIN SPONGE	1
4	074-1013-30	OUTLET SOCKET(12P)	1	27	347-6623-01	SPACER	1
5	074-1087-12	OUTLET SOCKET(16P)	1	28	347-6910-01	PROTECTOR	2
6	074-1141-00	OUTLET SOCKET(NS10+6)	1	29	347-6964-01	PROTECT SHEET	2
7	074-1192-22	OUTLET SOCKET(22P)	1	30	347-6965-01	DOUBLE FACE	1
8	074-1236-10	OUTLET SOCKET(8P)	1	31	347-6966-02	PROTECT SHEET	1
9	076-0368-06	PLUG(6P)	1	32	347-6967-01	PROTECT SHEET	1
10	076-0368-16	PLUG(16P)	1	33	714-2004-81	MACHINE SCREW (M2x4)	1
11	076-0509-20	PLUG(20P)	1	34	714-2605-81	MACHINE SCREW (M2.6x5)	22
12	076-0655-03	PLUG(3P)	2	35	714-2612-81	MACHINE SCREW (M2.6x12)	4
13	076-0655-04	PLUG(4P)	2	36	816-2563-10	FLAT WIRE	1
14	331-2025-21	CONNECTOR HOLDER	1		816-2563-00	FLAT WIRE	1
15	331-3236-22	MECH-BRKT(FRONT)	1	37	816-2638-01	FLAT WIRE	1
16	331-3237-21	MECH-BRKT(REAR)	1	38	929-0196-81	CD CHANGER MODULE	1
17	331-3238-41	REAR PLATE	1	39	930-0794-80	TAPE MECHANISM	1
18	331-3257-20	CONNECTOR HOLDER	1	40	335-6788-01	MOLDED PART	1
19	716-1494-00	IT SCREW(M2.6x6)	1	41	880-1921U	TUNER	1
20	286-9526-59	SETPLATE	1	42	-----	MAIN PWB	1
21	311-1834-23	LOWER CASE	1	43	076-0716-00	PLUG	1
22	313-1933-10	HEAT SINK	1	44	076-0716-10	PLUG	1
23	331-3258-22	SIDE CASE(L)	1				

CD changer module section

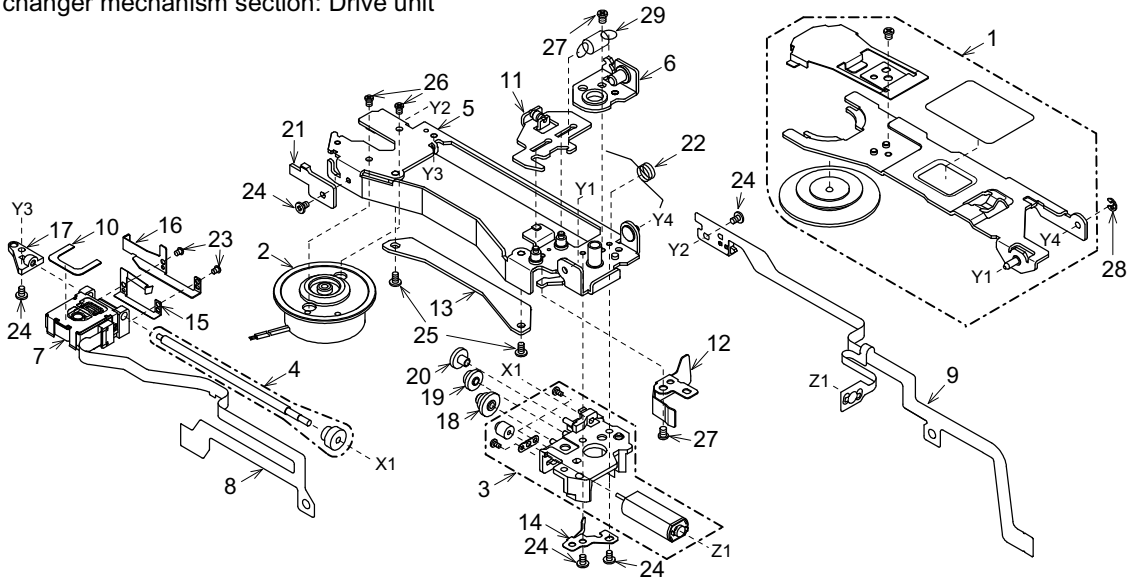


NO.	PART NO.	DESCRIPTION	Q'TY
1	-----	MAIN PWB	1
2	347-6657-01	LO-COVER SHEET	1
3	305-0315-21	SIDE COVER	1
4	310-1741-23	UPPER CASE	1
5	311-1837-25	LOWER CASE	1
6	331-3266-24	PWB-HOLDER	1
7	347-6619-00	INSULATOR	1
8	620-1086-20	DAMPER-H-PLT	4
9	629-0083-01	DAMPER	4
10	039-1957-01	FPC (WITHOUT COMPONENT)	1
11	716-1716-00	SCREW(M2 x 3)	14
12	716-3450-00	SCREW(M1.7 x 2)	4
13	750-3491-00	FL-SPRING	4
14	-----	CD CHANGER MECHANISM	1



(Refer to page 8,9)

CD changer mechanism section: Drive unit



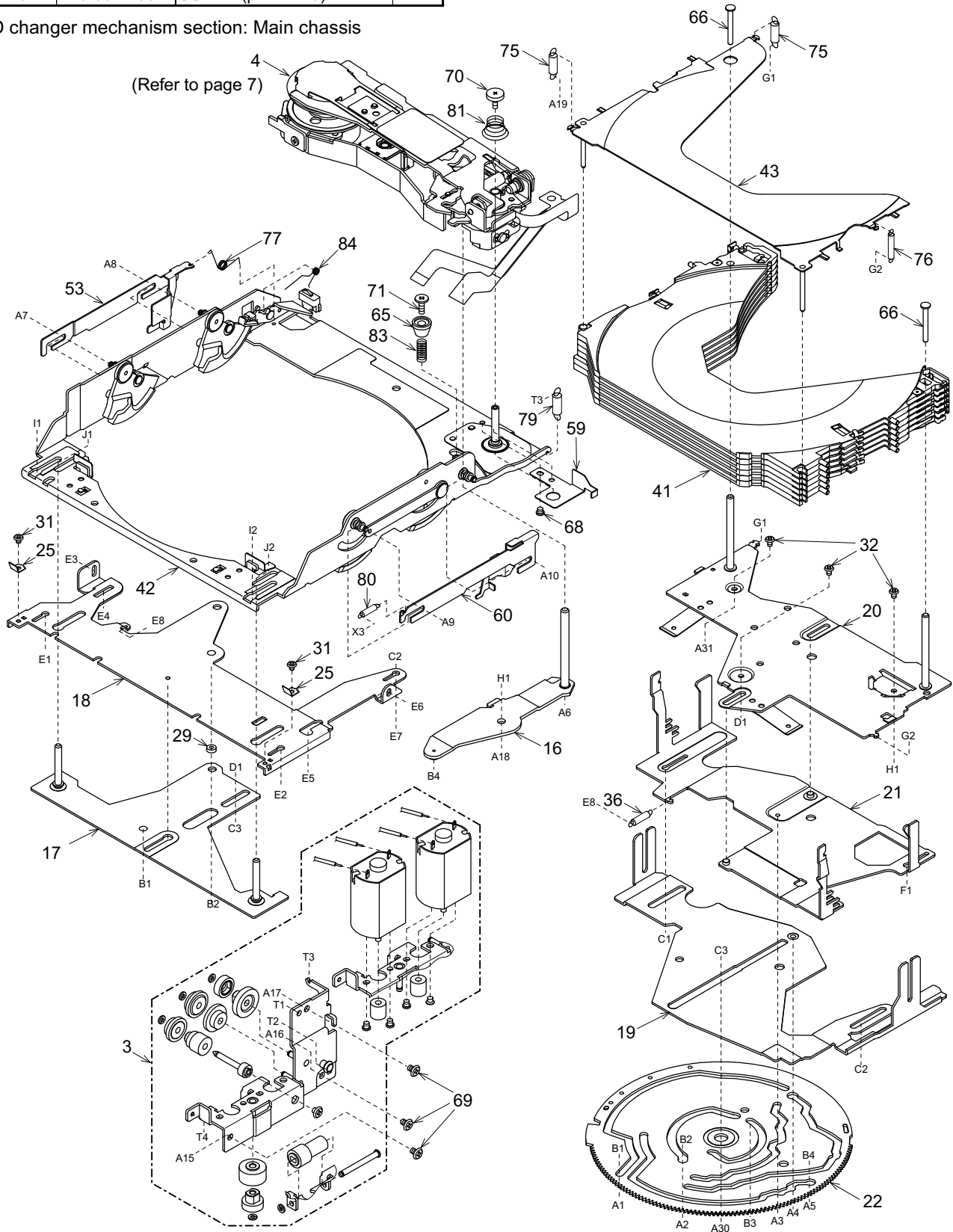
NO.	PART NO.	DESCRIPTION	Q'TY
1	HBS-532-100	CLAMP SUB-ASSY	1
2	SMA-185-101	SPINDLE MOTOR-ASSY	1
3	SMA-191-100	SLED MOTOR-ASSY	1
4	HBS-515-101	LS-ASSY	1
5	966-0649-82	DRIVE PLT-ASSY	1
6	966-0650-20	SPRING-PLT-ASSY	1
7	969-0011-00	PICK UP-ASSY	1
8	039-2015-01	P/U-FPC (WITHOUT COMPONENT)	1

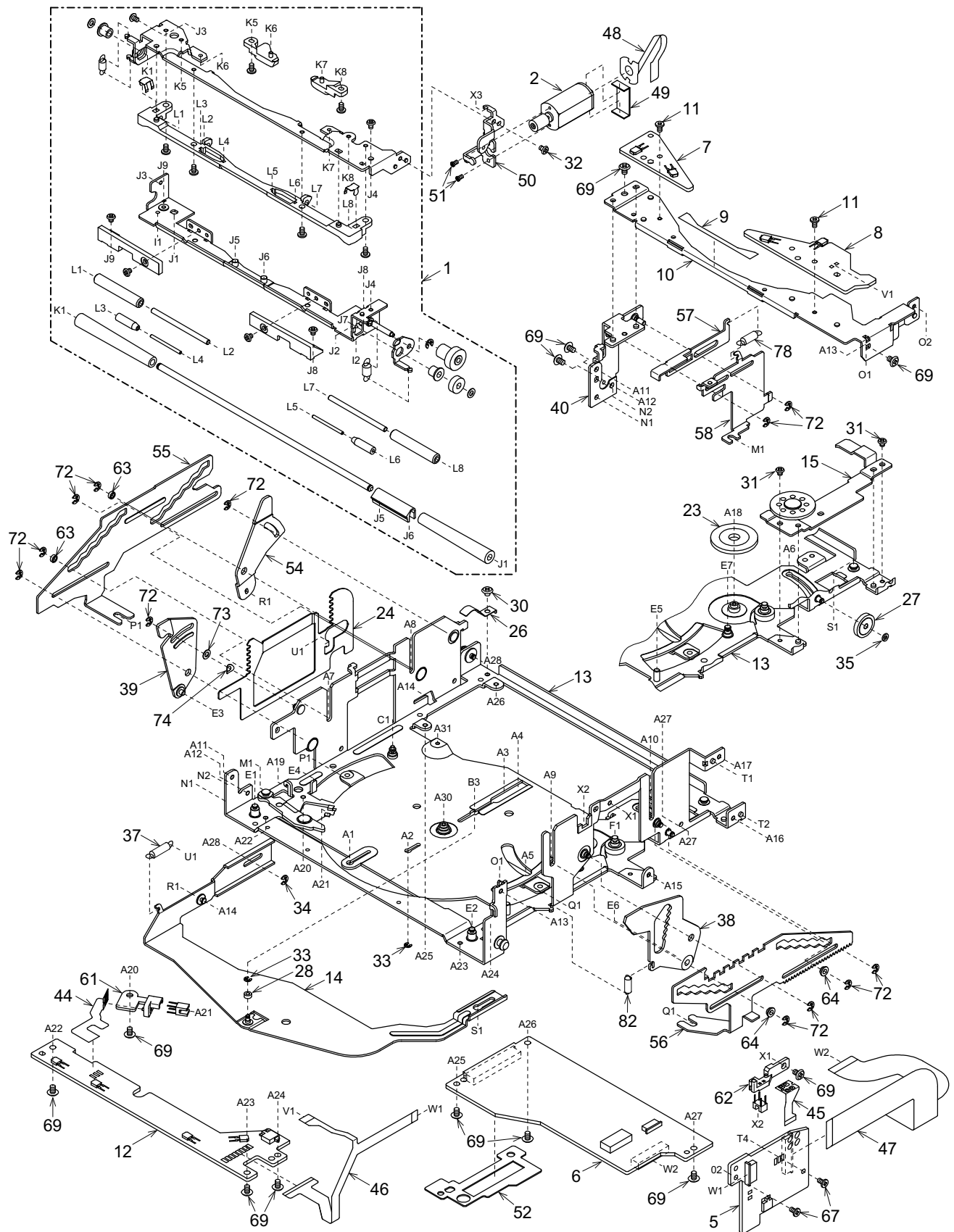
NO.	PART NO.	DESCRIPTION	Q'TY
9	039-2016-02	M/S-FPC (WITHOUT COMPONENT)	1
10	347-6632-00	PU-SHEET	1
11	HBS-542-101	D-SHIFT-PLATE ASSY	1
12	620-1078-20	PUSH PLATE	1
13	620-1080-22	PU-GUIDE-PLATE	1
14	620-1081-20	SCREW PUSH-PLT	1
15	620-1587-83	SH-SPRING-PLT	1
16	620-1730-81	SCREW-HOL-PLT	1

NO.	PART NO.	DESCRIPTION	Q'TY
17	621-0670-20	LS-HOLDER-L	1
18	621-0673-20	D-GEAR-A	1
19	621-0674-20	D-GEAR-B	1
20	621-0675-20	D-GEAR-C	1
21	621-0683-21	DU-STOPPER	1
22	750-3504-00	CLAMP-A-SPRING	1
23	716-3511-00	SCREW(phi1.4 x 3)	2

NO.	PART NO.	DESCRIPTION	Q'TY
24	716-3470-00	SCREW(M1.7 x 3)	5
25	716-3474-00	SCREW(M1.7 x 3)	2
26	738-1720-17	PRECISION SCREW(M1.7 x 2)	2
27	738-2025-17	PRECISION SCREW(M2 x 2.5)	2
28	743-1500-10	E-RING	1
29	750-3487-00	SHIFT-P-SPRING	1

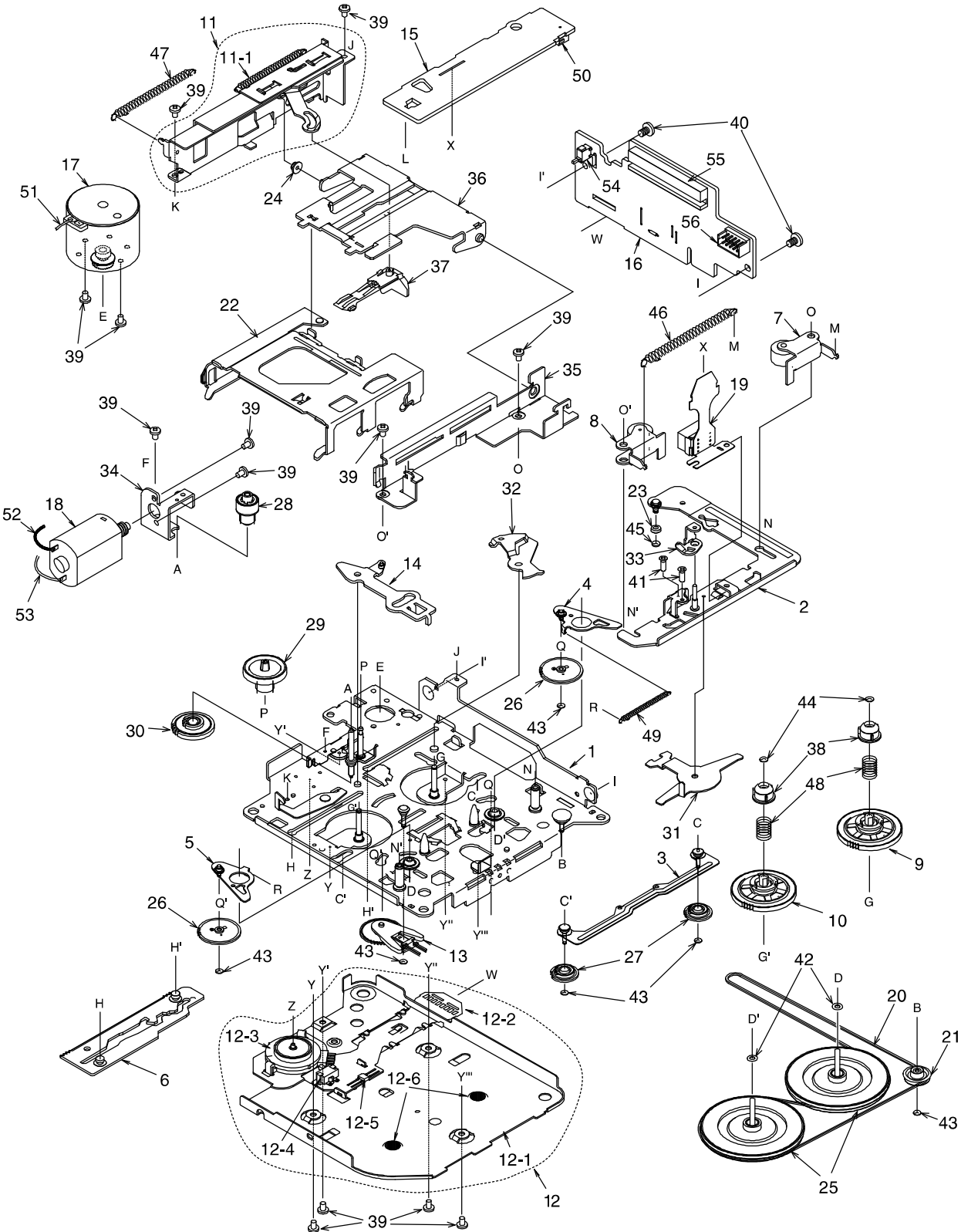
CD changer mechanism section: Main chassis





NO.	PART NO.	DESCRIPTION	Q'TY	NO.	PART NO.	DESCRIPTION	Q'TY
1	HBS-521-100	LOADING UNIT	1	45	039-2010-00	PIV-FPC (WITHOUT COMPONENT)	1
2	SMA-186-100	LOADING MOTOR-ASSY	1	46	039-2012-00	SENSOR-FPC (WITHOUT COMPONENT)	1
3	HBS-530-100	MTR-P-SUB-ASSY	1	47	039-2013-02	MOS-FPC (WITHOUT COMPONENT)	1
4	HBS-531-100	DRIVE UNIT	1	48	039-2014-01	L-MOTOR-FPC (WITHOUT COMPONENT)	1
5	-----	DRIVER-PWB	1	49	347-6657-01	LO-COVER SHEET	1
6	-----	CD-PWB	1	50	620-1576-20	LO-MOTOR-PLT	1
7	-----	LED-L-PWB	1	51	738-1422-11	SCREW(M1.4 x 2.2)	2
8	-----	LED-R-PWB	1	52	347-6974-21	FPC COVER	1
9	039-2011-01	LED-FPC (WITHOUT COMPONENT)	1	53	620-1056-22	HLR-PLATE-L	1
10	620-1577-20	FRONT-PLATE	1	54	620-1066-20	LOCK LINK-LR	1
11	716-1866-00	SCREW(M1.7 x 3)	2	55	620-1067-21	SLIDE PLATE L	1
12	-----	SENSOR-PWB	1	56	620-1068-22	SLIDE PLATE-R	1
13	966-0597-24	CHASSIS-ASSY	1	57	620-1071-21	EJECT ARM	1
14	966-0600-23	LOCK-P-RE-ASSY	1	58	620-1072-20	EJECT PLATE	1
15	966-0601-21	M-GEAR-P-ASSY	1	59	620-1083-20	FPC-PLATE	1
16	966-0602-24	DR-LINK-ASSY	1	60	620-1580-20	HLR-PLATE-R	1
17	966-0603-21	MODE-P-ASSY	1	61	621-0641-21	PI-HOLDER-M	1
18	966-0604-24	LOCK-PF-ASSY	1	62	621-0656-21	PI-HOLDER-V	1
19	966-0605-20	SHIFT-P-ASSY	1	63	622-1622-20	SL-G-ROLLER	2
20	966-0607-26	COV-PLATE-ASSY	1	64	622-1623-00	SL-G-ROLLER-R	2
21	966-0606-23	HLC-PLATE-ASSY	1	65	622-1648-23	DU-STP-SLEEVE	1
22	620-1041-26	GEAR PLATE	1	66	622-1650-23	COV-PLATE PIN B	2
23	620-1042-20	M-GEAR-H	1	67	716-1866-00	SCREW(M1.7 x 3)	2
24	620-1090-20	GAP PLATE	1	68	716-1873-00	SCREW(M2 x 1.6)	1
25	620-1568-20	RATTLE PLATE-F	2	69	716-3449-00	SCREW(M2 x 3)	15
26	620-1604-20	DR-PLATE-SPRING	1	70	716-3459-00	SCREW(M1.7 x 5)	1
27	621-0640-20	V-GEAR-G	1	71	716-3466-02	SCREW(M2 x 6)	1
28	622-1651-00	LOCK-RE-ROLLER	1	72	743-1500-10	E-RING	12
29	622-1652-00	LOCK-PF-ROLLER	1	73	746-0624-00	WASHER	1
30	716-1850-01	SCREW(M2 x 2)	1	74	746-0712-23	WASHER	1
31	716-3450-00	SCREW(M1.7 x 2)	4	75	750-3478-01	TOP-P-SP-L	2
32	716-3451-00	SCREW(M1.7 x 2.5)	4	76	750-3479-01	TOP-P-SP-R	1
33	743-1200-10	E-RING	2	77	750-3480-01	DR-LOCK-SP	1
34	743-1500-10	E-RING	1	78	750-3483-00	EJECT-A-SPRING	1
35	746-0761-00	WASHER	1	79	750-3484-01	DR-BASE-SPRING	1
36	750-3485-01	TENTION-SP-L	1	80	750-3486-01	LO-TENSION-SP	1
37	750-3497-00	GAP-P-SPRING L	1	81	750-3489-01	DRIVE-P-SPRING	1
38	966-0615-21	LOCK-L-RF-ASSY	1	82	750-3496-00	GAP-P-SPRING R	1
39	966-0616-20	LOCK-L-LF-ASSY	1	83	750-6711-01	DU-STP-SPRING	1
40	966-0618-21	EJECT-B-ASSY	1	84	750-6712-01	DR-LOCK-SP-B	1
41	966-0624-27	DISC-HOL-ASSY	1				
42	966-0652-22	DR-BASE-P-ASSY	1				
43	HBS-535-100	TOP PLATE-ASSY	1				
44	039-2009-00	PIM-FPC (WITHOUT COMPONENT)	1				

Tape mechanism section



NO.	PART NO.	DESCRIPTION	Q'TY	NO.	PART NO.	DESCRIPTION	Q'TY
1	960-4294-22	DECK PLATE ASSY	1	25	611-0091-03	FLYWHEEL	2
2	960-4261-20	HEAD PLATE ASSY	1	26	613-0662-00	IDLER GEAR	2
3	960-4262-04	FF/REW-P ASSY	1	27	613-0286-03	FF/REW GEAR	2
4	960-4263-03	IDLER-P-ASSY L	1	28	613-0288-01	HELICAL GEAR	1
5	960-4264-03	IDLER-P-ASSY R	1	29	613-0289-01	GEAR A	1
6	960-4266-20	MODE PLATE ASSY	1	30	613-0337-20	POWER GEAR	1
7	960-4269-05	ROLLER ASSY F	1	31	630-2597-01	CHANGE LINK	1
8	960-4270-05	ROLLER ASSY R	1	32	630-2598-05	EJECT LINK	1
9	960-4348-03	REEL ASSY F	1	33	630-2600-01	ADJUST LINK	1
10	960-4349-03	REEL ASSY R	1	34	630-2601-02	MOTOR PLATE	1
11	960-4389-20	EJECT SUB ASSY	1	35	630-2626-06	PWB FRAME	1
11-1	750-3020-01	SWITCH PLATE SPRING	1	36	630-2642-01	GUIDE ARM	1
12	960-4338-09	BOTTOM SUB ASSY	1	37	631-1992-02	PACK STOPPER	1
12-1	960-4295-02	BOTTOM P-ASSY	1	38	631-1993-01	SLIDE BUSH	2
12-2	099-9926-01	BOTTOM PWB (WITHOUT COMPONENT)	1	39	716-0484-00	SCREW(M2x2.5)	13
12-3	013-3951-32	SWITCH(MODE)	1	40	716-1676-00	PWB SCREW(M2.6x6)	2
12-4	013-3953-01	SWITCH(METAL)	1	41	716-0833-10	SCREW(M2x5.6)	2
12-5	051-1776-00	IC	1	42	746-0624-00	WASHER	2
12-6	746-0767-00	WASHER	2	43	746-0724-00	WASHER	6
13	960-4282-06	DETECT SUB ASSY	1	44	746-0761-00	WASHER	2
14	960-4301-02	PLAY LINK ASSY	1	45	746-0762-00	WASHER	1
15	-----	SIDE PWB	1	46	750-2946-02	PINCH SPRING	1
16	-----	REAR PWB	1	47	750-2947-04	EJECT P-SPRING	1
17	SMA-168-100	MAIN MOTOR ASSY	1	48	750-2949-00	SLIDE SPRING	2
18	SMA-169-100	POWER MOTOR ASSY	1	49	750-3017-02	IDLER P-SPRING	1
19	011-0328-01	HEAD	1	50	074-0898-10	OUTLET SOCKET(10P)	1
20	602-0118-00	BELT	1	51	802-4906-60	WIRE(RED)	1
21	604-0046-00	TENSION PULLEY	1	52	806-4914-60	WIRE(BLUE)	1
22	606-0093-07	PACK GUIDE	1	53	816-2349-00	WIRE(WHITE)	1
23	610-0342-01	HEAD P-ROLLER	1	54	013-3906-00	SWITCH(TAPE IN)	1
24	610-0343-00	GUIDE A-ROLLER	1	55	074-1012-20	OUTLET SOCKET(20P)	1
				56	076-0368-10	PLUG(10P)	1

ELECTRICAL PARTLIST

Main PWB(B1) section

Note: Several different parts of the same reference number are alternative parts. One of those parts is used in the set.

REF No.	PART No.	DESCRIPTION	REF No.	PART No.	DESCRIPTION	REF No.	PART No.	DESCRIPTION
BL101	880-1921U	FM/AM TUNER	C124	168-1042-78	16V 0.1uF	C149	168-5632-78	16V 0.056uF
C101	166-1511-50	150pF CH	C125	187-1073-37	16V 100uF	C150	168-5632-78	16V 0.056uF
C102	166-4701-50	47pF CH	C126	168-3312-55	330pF K	C151	166-1801-50	18pF CH
C103	166-4701-50	47pF CH	C127	166-1011-50	100pF CH	C152	168-4722-55	4700pF K
C104	178-1542-78	0.15uF	C128	166-1011-50	100pF CH	C153	166-1201-50	12pF CH
C105	168-1032-55	0.01uF K	C129	168-1042-78	16V 0.1uF	C154	168-1032-55	0.01uF K
C106	168-1032-55	0.01uF K	C130	187-1073-37	16V 100uF	C155	166-2201-50	22pF CH
C107	178-1052-78	1uF	C132	178-1052-78	1uF	C156	166-2201-50	22pF CH
C108	187-1063-37	16V10uF	C133	168-1232-55	0.012uF K	C157	168-1042-78	16V 0.1uF
C109	168-3322-55	3300pF K	C134	186-1053-69	50V1uF	C158	166-2201-50	22pF CH
C110	168-1022-55	1000pF K	C135	187-4763-37	16V 47uF	C159	168-1022-55	1000pF K
C111	168-4732-78	0.047uF K	C136	043-0277-51	0.022uF	C160	166-2201-50	22pF CH
C112	166-1501-50	15pF CH	C138	168-1022-55	1000pF K	C161	187-1073-37	16V100uF
C114	178-2242-78	0.22uF	C140	187-4763-37	16V 47uF	C162	178-1052-78	1uF
C115	166-1007-50	10pF CH	C141	168-2232-55	0.022uF K	C163	168-1022-55	1000pF K
C116	188-4763-38	16V 47uF	C142	166-1011-50	100pF CH	C164	168-1042-78	16V 0.1uF
C117	168-5612-55	560pF Z	C143	166-1011-50	100pF CH	C201	168-2222-55	2200pF K
C119	166-4701-50	47pF CH	C144	166-1011-50	100pF CH	C204	042-1562-67	16V 10uF
C120	188-2253-68	50V 2.2uF	C145	166-1011-50	100pF CH	C205	042-1562-67	16V 10uF
C121	187-1073-37	16V 100uF	C146	166-1801-50	18pF CH	C206	042-1562-67	16V 10uF
C122	043-0277-51	0.022uF	C147	168-3932-78	0.039uF K	C207	042-1562-67	16V 10uF
C123	166-5601-50	56pF CH	C148	168-3932-78	0.039uF K	C208	166-5096-50	5pF CH

REF No.	PART No.	DESCRIPTION	REF No.	PART No.	DESCRIPTION	REF No.	PART No.	DESCRIPTION
C209	166-5096-50	5pF CH	C607	168-2222-55	2200pF K	C887	172-3931-15	0.039uF
C210	166-2201-50	22pF CH	C608	168-2222-55	2200pF K	C888	188-1063-38	16V 10uF
C211	166-2201-50	22pF CH	C609	168-2222-55	2200pF K	C889	168-1022-55	1000pF K
C212	166-5096-50	5pF CH	C610	168-2222-55	2200pF K	C890	187-1053-67	50V 1uF
C213	166-5096-50	5pF CH	C611	172-1041-15	0.1uF	C892	168-6822-55	6800pF K
C305	042-1562-68	16V 22uF	C612	189-3383-32	16V 3300uF	C893	168-6822-55	6800pF K
C307	042-1562-86	50V 1uF	C613	187-1053-67	50V 1uF	C894	178-1052-78	1uF
C308	042-0592-73	50V 1uF	C743	042-1562-67	16V 10uF	C895	178-1052-78	1uF
C309	042-1562-86	50V 1uF	C744	042-1562-65	10V 220uF	C896	178-1052-78	1uF
C310	042-1562-86	50V 1uF	C745	166-2201-50	22pF CH	C897	178-1052-78	1uF
C311	042-0592-73	50V 1uF	C801	042-0592-58	16V 10uF	C898	163-4753-55	35V 4.7uF
C312	042-1562-86	50V 1uF	C802	042-0592-58	16V 10uF	C899	163-4753-55	35V 4.7uF
C313	178-4742-78	0.47uF	C803	042-0592-58	16V 10uF	C1001	042-1562-67	16V 10uF
C314	178-4742-78	0.47uF	C804	042-0592-58	16V 10uF	C1002	042-1562-67	16V 10uF
C315	168-1222-55	1200pF K	C809	166-2201-50	22pF CH	C1003	042-1562-67	16V 10uF
C316	042-1562-86	50V 1uF	C810	166-2201-50	22pF CH	C1004	042-1562-67	16V 10uF
C317	042-1562-86	50V 1uF	C811	166-2201-50	22pF CH	C1006	168-1022-55	1000pF K
C318	168-1222-55	1200pF K	C812	166-2201-50	22pF CH	C1007	168-2232-55	0.022uF K
C323	178-1842-78	0.18uF	C813	168-3922-55	3900pF K	C1010	168-1022-55	1000pF K
C324	178-1842-78	0.18uF	C814	168-3922-55	3900pF K	C1011	168-1022-55	1000pF K
C325	178-1842-78	0.18uF	C817	166-2201-50	22pF CH	C1012	188-1066-38	16V 10uF NP
C326	178-1842-78	0.18uF	C818	166-2201-50	22pF CH	C1013	188-1066-38	16V 10uF NP
C327	168-8212-55	820pF K	C819	166-2201-50	22pF CH	C1017	168-1022-55	1000pF K
C328	168-8212-55	820pF K	C820	166-2201-50	22pF CH	C1018	168-1022-55	1000pF K
C329	168-8212-55	820pF K	C821	178-3932-78	0.039uF	CCT401	050-0145-55	1/16W 10kohmx4
C330	168-8212-55	820pF K	C822	178-3932-78	0.039uF	CCT402	050-0145-52	1/16W 1k ohm x4
C331	042-1562-67	16V 10uF	C825	178-6832-78	0.068uF	CCT403	050-0145-52	1/16W 1k ohm x4
C332	042-1562-67	16V 10uF	C826	178-6832-78	0.068uF	CCT404	050-0145-52	1/16W 1k ohm x4
C333	168-1832-55	0.018uF K	C827	166-2201-50	22pF CH	CCT405	050-0145-52	1/16W 1k ohm x4
C334	168-1022-55	1000pF K	C828	166-2201-50	22pF CH	CCT407	050-0145-52	1/16W 1k ohm x4
C401	168-1042-78	16V 0.1uF	C838	178-2242-78	0.22uF	CCT409	050-0145-52	1/16W 1k ohm x4
C402	168-1042-78	16V 0.1uF	C839	178-2242-78	0.22uF	CCT411	050-0145-52	1/16W 1k ohm x4
C403	168-1042-78	16V 0.1uF	C842	178-8232-78	0.082uF	CCT412	050-0145-52	1/16W 1k ohm x4
C404	168-1042-78	16V 0.1uF	C843	178-8232-78	0.082uF	CCT414	050-0145-52	1/16W 1k ohm x4
C405	042-1505-82	16V 10uF	C846	166-2201-50	22pF CH	CCT417	050-0145-52	1/16W 1k ohm x4
C406	168-1042-78	16V 0.1uF	C847	166-2201-50	22pF CH	D101	001-3205-90	1SV251
C409	168-2232-55	0.022uF K	C849	166-2201-50	22pF CH	D102	001-3205-90	1SV251
C410	168-1042-78	16V 0.1uF	C850	166-2201-50	22pF CH	D402	001-0529-44	MA8082-M
C412	166-1011-50	100pF CH	C851	166-2201-50	22pF CH	D409	001-0424-24	MA4091
C414	166-1011-50	100pF CH	C852	166-2201-50	22pF CH	D502	001-0504-48	HZS9C2L
C416	166-1011-50	100pF CH	C853	178-1842-78	0.18uF	D503	001-0466-90	S5688B
C417	166-1011-50	100pF CH	C854	168-2232-55	0.022uF K	D504	001-0466-90	S5688B
C420	188-4763-17	6.3V 47uF	C855	168-2232-55	0.022uF K	D552	001-0504-49	HZS9C3L
C421	168-1042-78	16V 0.1uF	C856	178-1842-78	0.18uF	D602	001-0347-34	MA4062L
C422	168-1022-55	1000pF K	C857	178-1842-78	0.18uF	D605	001-0466-90	S5688B
C423	168-1042-78	16V 0.1uF	C858	168-3922-55	3900pF K	D606	001-0330-90	1SS119
C424	168-1032-55	0.01uF K	C859	168-3922-55	3900pF K	D607	001-2015-00	RL253
C434	168-2222-55	2200pF K	C860	178-1842-78	0.18uF	D608	001-0466-90	S5688B
C501	168-1042-78	16V 0.1uF	C865	168-1042-78	16V 0.1uF	D1002	001-0422-38	MTZJ36
C502	187-1073-37	16V 100uF	C868	168-8232-78	0.082uF K	D1003	001-0347-44	MA4082M
C504	042-1548-53	16V 100uF	C869	168-8232-78	0.082uF K	D1006	001-0330-90	1SS119
C505	168-1042-78	16V 0.1uF	C870	168-8232-78	0.082uF K	D1007	001-0330-90	1SS119
C506	163-1073-35	16V 100uF	C871	168-8232-78	0.082uF K	D1009	001-0424-34	MA4240
C507	187-1073-37	16V 100uF	C873	168-8232-78	0.082uF K	D1010	001-0330-90	1SS119
C508	187-1073-37	16V 100uF	C874	168-8232-78	0.082uF K	IC101	051-4617-90	LA1061M-TE-L
C509	042-0423-94	10V 4.7uF	C875	166-2201-50	22pF CH	IC102	051-4607-90	SAA6581T
C510	168-1042-78	16V 0.1uF	C876	166-2201-50	22pF CH	IC103	051-3020-90	NJM4565V
C511	042-0592-58	16V 10uF	C877	168-1042-78	16V 0.1uF	IC104	051-6212-08	LC72191JM-TLM
C515	163-4763-35	16V 47uF	C878	168-1042-78	16V 0.1uF	IC201	051-1292-90	NJM4565M-D
C554	187-1063-57	35V 10uF	C879	166-2201-50	22pF CH	IC302	051-5027-00	LC75412WH
C555	168-2232-55	0.022uF K	C880	166-2201-50	22pF CH	IC401	051-1014-08	TA7291F
C601	168-2232-55	0.022uF K	C881	168-8232-78	0.082uF K	IC403	051-0350-93	NJM4558M
C602	168-2222-55	2200pF K	C882	168-8232-78	0.082uF K	IC404	052-3177-12	M30624MGA-598GP
C603	168-2222-55	2200pF K	C883	042-0592-73	50V 1uF	IC405	051-5436-08	S-80933ANMP-DDX
C604	168-2222-55	2200pF K	C884	172-3931-15	0.039uF	IC501	051-1834-00	LM2936
C605	168-2222-55	2200pF K	C885	172-3931-15	0.039uF			
C606	168-2222-55	2200pF K	C886	172-3931-15	0.039uF			

REF No.	PART No.	DESCRIPTION	REF No.	PART No.	DESCRIPTION	REF No.	PART No.	DESCRIPTION
IC601	051-5418-08	S-80827ANMP	Q411	193-0601-00	2SD601A	Q1011	193-0601-00	2SD601A
IC707	051-1292-90	NJM4565M	Q411	192-2712-00	2SC2712	Q1011	192-2712-00	2SC2712
IC801	051-3019-90	NJM2060V	Q415	125-2005-91	UN2211	Q1012	125-0001-91	UN2111
IC802	051-3019-90	NJM2060V	Q415	125-2004-92	RN1402	Q1012	125-0002-92	RN2402
IC803	051-3019-90	NJM2060V	Q415	125-2020-92	DTC114EKA-T146	Q1012	125-0014-92	DTA114EK
IC804	051-3019-90	NJM2060V	Q416	193-0601-00	2SD601A	Q1013	193-0601-00	2SD601A
IC806	051-3019-90	NJM2060V	Q416	192-2712-00	2SC2712	Q1013	192-2712-00	2SC2712
IC808	051-2042-00	TA8275H	Q417	125-2005-91	UN2211	R101	119-1041-15	1/10W 100k ohm
J202	074-1236-10	8P	Q417	125-2004-92	RN1402	R102	119-1041-15	1/10W 100k ohm
J401	076-0509-20	20P	Q417	125-2020-92	DTC114EKA-T146	R103	119-2731-15	1/10W 27k ohm
J402	074-1192-22	22P	Q418	125-0001-91	UN2111	R104	119-2731-15	1/10W 27k ohm
J601	074-1141-00	NS10+6	Q418	125-0002-92	RN2402	R105	119-1041-15	1/10W 100k ohm
J1001	074-1087-12	A-16	Q418	125-0014-92	DTA114EK	R106	119-1041-15	1/10W 100k ohm
J1002	074-1013-30	A-12MW	Q502	193-2118-00	2SD2118F5 Q,R,S	R107	119-1031-15	1/10W 10k ohm
L101	010-2198-65	0.1uH	Q503	193-1858-00	2SD1858	R108	119-1031-15	1/10W 10k ohm
L102	010-2198-53	5.6uH	Q505	125-2005-91	UN2211	R109	119-5631-15	1/10W 56k ohm
L103	010-2312-52	0.27uH	Q505	125-2004-92	RN1402	R110	119-3911-15	1/10W 390 ohm
L104	010-2003-04	30uH	Q505	125-2020-92	DTC114EKA-T146	R111	119-4731-15	1/10W 47k ohm
L106	010-6009-76	22uH	Q506	190-1048-00	2SA1048	R113	119-2221-15	1/10W 2.2k ohm
L151	010-6009-76	22uH	Q507	191-1205-60	2SB1205 R,S,T	R114	119-1031-15	1/10W 10k ohm
L401	010-3407-66	22uH	Q508	125-0001-91	UN2111	R115	119-1021-15	1/10W 1k ohm
L601	010-8021-00	COIL	Q508	125-0002-92	RN2402	R116	119-1021-15	1/10W 1k ohm
P201	076-0368-16	16P	Q508	125-0014-92	DTA114EK	R117	119-4721-15	1/10W 4.7k ohm
P202	076-0368-06	6P	Q509	125-2005-91	UN2211	R118	119-1021-15	1/10W 1k ohm
P402	074-0834-10	10P	Q509	125-2004-92	RN1402	R119	119-1021-15	1/10W 1k ohm
P801	076-0655-04	4P	Q509	125-2020-92	DTC114EKA-T146	R120	119-2221-15	1/10W 2.2k ohm
P802	076-0655-03	3P	Q553	103-2353-00	2SD2353	R121	119-4721-15	1/10W 4.7k ohm
P803	076-0655-03	3P	Q554	125-0001-91	UN2111	R122	119-8201-15	1/10W 82 ohm
P804	076-0655-04	4P	Q554	125-0002-92	RN2402	R124	119-3321-15	1/10W 3.3k ohm
P1001	074-0898-16	16P	Q554	125-0014-92	DTA114EK	R125	119-1031-15	1/10W 10k ohm
P1002	074-0898-06	6P	Q555	125-2005-91	UN2211	R126	116-1501-15	1/4W 15 ohm
Q101	193-0601-00	2SD601A	Q555	125-2004-92	RN1402	R127	116-1001-15	1/4W 10 ohm
Q101	192-2712-00	2SC2712	Q555	125-2020-92	DTC114EKA-T146	R128	119-2221-15	1/10W 2.2k ohm
Q102	193-0601-00	2SD601A	Q603	193-0601-00	2SD601A	R129	119-2221-15	1/10W 2.2k ohm
Q102	192-2712-00	2SC2712	Q603	192-2712-00	2SC2712	R130	119-1031-15	1/10W 10k ohm
Q103	125-2005-91	UN2211	Q607	125-2005-91	UN2211	R131	119-1031-15	1/10W 10k ohm
Q103	125-2004-92	RN1402	Q607	125-2004-92	RN1402	R132	119-4721-15	1/10W 4.7k ohm
Q103	125-2020-92	DTC114EKA-T146	Q607	125-2020-92	DTC114EKA-T146	R133	119-1021-15	1/10W 1k ohm
Q104	125-2005-91	UN2211	Q608	191-0709-00	2SB709A Q,R,S	R134	119-2221-15	1/10W 2.2k ohm
Q104	125-2004-92	RN1402	Q608	190-1037-00	2SA1037	R135	119-1021-15	1/10W 1k ohm
Q104	125-2020-92	DTC114EKA-T146	Q609	100-1359-00	2SA1359	R136	119-1021-15	1/10W 1k ohm
Q105	192-2712-51	2SC2712 G,L	Q701	125-2005-91	UN2211	R137	116-2701-15	1/4W 27 ohm
Q106	125-2005-91	UN2211	Q701	125-2004-92	RN1402	R138	119-1021-15	1/10W 1k ohm
Q106	125-2004-92	RN1402	Q701	125-2020-92	DTC114EKA-T146	R140	119-4721-15	1/10W 4.7k ohm
Q106	125-2020-92	DTC114EKA-T146	Q804	125-4001-90	XN1504	R141	119-4731-15	1/10W 47k ohm
Q107	192-2712-51	2SC2712 G,L	Q805	125-4001-90	XN1504	R142	119-1031-15	1/10W 10k ohm
Q109	190-1298-00	2SA1298	Q806	125-0006-90	UN2110	R143	119-1031-15	1/10W 10k ohm
Q111	190-1298-00	2SA1298	Q806	125-0019-93	DTA1447KA	R144	119-1021-15	1/10W 1k ohm
Q113	193-0601-00	2SD601A	Q807	125-0006-90	UN2110	R145	119-1011-15	1/10W 100 ohm
Q113	192-2712-00	2SC2712	Q807	125-0019-93	DTA1447KA	R146	119-4741-15	1/10W 470k ohm
Q201	125-2005-91	UN2211	Q808	125-9003-92	IMD3	R161	119-0000-05	1/10W 0 ohm JW
Q201	125-2004-92	RN1402	Q808	125-9002-92	RN2402	R162	119-0000-05	1/10W 0 ohm JW
Q201	125-2020-92	DTC114EKA-T146	Q809	125-9003-92	IMD3	R201	116-1211-15	1/4W 120 ohm
Q204	125-2005-91	UN2211	Q809	125-9002-92	RN2402	R203	119-1831-15	1/10W 18k ohm
Q204	125-2004-92	RN1402	Q1001	125-0001-91	UN2111	R206	119-1031-15	1/10W 10k ohm
Q204	125-2020-92	DTC114EKA-T146	Q1001	125-0002-92	RN2402	R207	119-1031-15	1/10W 10k ohm
Q206	125-0001-91	UN2111	Q1001	125-0014-92	DTA114EK	R208	032-0106-65	1/8W 100k ohmD
Q206	125-0002-92	RN2402	Q1003	193-0601-00	2SD601A	R209	032-0106-65	1/8W 100k ohmD
Q206	125-0014-92	DTA114EK	Q1003	192-2712-00	2SC2712	R210	032-0106-65	1/8W 100k ohmD
Q401	125-2004-96	RN1406	Q1006	125-2005-91	UN2211	R211	032-0106-65	1/8W 100k ohmD
Q401	125-2020-96	DTC143ZK	Q1006	125-2004-92	RN1402	R212	032-0106-69	1/8W 39k ohm D
Q402	190-1428-00	2SA1428	Q1006	125-2020-92	DTC114EKA-T146	R213	032-0106-69	1/8W 39k ohm D
Q404	125-2005-91	UN2211	Q1007	125-9006-90	IMX1	R214	032-0106-69	1/8W 39k ohm D
Q404	125-2004-92	RN1402	Q1007	125-9007-90	HN1C01F	R215	032-0106-69	1/8W 39k ohm D
Q404	125-2020-92	DTC114EKA-T146	Q1010	125-2005-91	UN2211	R216	119-1021-15	1/10W 1k ohm
Q405	191-0709-00	2SB709A Q,R,S	Q1010	125-2004-92	RN1402	R310	032-0106-52	1/8W 27k ohm D
Q405	190-1037-00	2SA1037	Q1010	125-2020-92	DTC114EKA-T146	R311	032-0106-52	1/8W 27k ohm D

REF No.	PART No.	DESCRIPTION	REF No.	PART No.	DESCRIPTION	REF No.	PART No.	DESCRIPTION
R312	032-0106-52	1/8W 27k ohm D	R505	119-4721-15	1/10W 4.7k ohm	R879	119-8221-15	1/10W 8.2k ohm
R313	032-0106-52	1/8W 27k ohm D	R506	119-1021-15	1/10W 1k ohm	R880	119-8221-15	1/10W 8.2k ohm
R314	119-1821-15	1/10W 1.8k ohm	R507	119-1031-15	1/10W 10k ohm	R881	119-1031-15	1/10W 10k ohm
R315	119-1821-15	1/10W 1.8k ohm	R508	116-7501-15	1/4W 75 ohm	R882	119-1031-15	1/10W 10k ohm
R316	119-3931-15	1/10W 39k ohm	R509	116-2201-15	1/4W 22 ohm	R883	119-5131-15	1/10W 51k ohm
R317	119-3931-15	1/10W 39k ohm	R510	116-2201-15	1/4W 22 ohm	R884	119-5131-15	1/10W 51k ohm
R351	119-4721-15	1/10W 4.7k ohm	R552	111-2211-98	1/4W 220 ohm	R887	119-5131-15	1/10W 51k ohm
R352	119-4721-15	1/10W 4.7k ohm	R554	119-1041-15	1/10W 100k ohm	R888	119-5131-15	1/10W 51k ohm
R355	119-4721-15	1/10W 4.7k ohm	R601	119-4741-15	1/10W 470k ohm	R889	119-1031-15	1/10W 10k ohm
R356	119-4721-15	1/10W 4.7k ohm	R602	119-2741-15	1/10W 270k ohm	R890	119-1031-15	1/10W 10k ohm
R401	119-1031-15	1/10W 10k ohm	R605	119-1031-15	1/10W 10k ohm	R891	119-8221-15	1/10W 8.2k ohm
R402	119-1031-15	1/10W 10k ohm	R606	119-5611-15	1/10W 560 ohm	R892	119-8221-15	1/10W 8.2k ohm
R403	116-1221-15	1/4W 1.2k ohm	R611	116-1221-15	1/4W 1.2k ohm	R894	119-4731-15	1/10W 47k ohm
R404	116-1221-15	1/4W 1.2k ohm	R612	119-4721-15	1/10W 4.7k ohm	R895	119-4731-15	1/10W 47k ohm
R405	119-1031-15	1/10W 10k ohm	R613	116-1221-15	1/4W 1.2k ohm	R896	119-1031-15	1/10W 10k ohm
R406	116-1001-15	1/4W 10 ohm	R614	111-5691-98	1/4W 5.6 ohm	R897	119-1031-15	1/10W 10k ohm
R407	116-1001-15	1/4W 10 ohm	R615	111-5691-98	1/4W 5.6 ohm	R898	119-1031-15	1/10W 10k ohm
R408	116-1001-15	1/4W 10 ohm	R616	116-1531-15	1/4W 15k ohm	R899	119-1031-15	1/10W 10k ohm
R409	116-1001-15	1/4W 10 ohm	R703	119-2221-15	1/10W 2.2k ohm	R900	119-3331-15	1/10W 33k ohm
R410	119-2221-15	1/10W 2.2k ohm	R758	119-4731-15	1/10W 47k ohm	R901	119-1831-15	1/10W 18k ohm
R411	119-4721-15	1/10W 4.7k ohm	R759	119-4731-15	1/10W 47k ohm	R902	119-1831-15	1/10W 18k ohm
R412	119-1021-15	1/10W 1k ohm	R801	119-3331-15	1/10W 33k ohm	R903	119-3331-15	1/10W 33k ohm
R413	119-1041-15	1/10W 100k ohm	R802	119-3331-15	1/10W 33k ohm	R904	119-1031-15	1/10W 10k ohm
R414	119-4731-15	1/10W 47k ohm	R803	119-3331-15	1/10W 33k ohm	R905	119-1021-15	1/10W 1k ohm
R415	119-1021-15	1/10W 1k ohm	R804	119-3331-15	1/10W 33k ohm	R906	119-1021-15	1/10W 1k ohm
R416	119-4731-15	1/10W 47k ohm	R805	119-1831-15	1/10W 18k ohm	R913	119-2231-15	1/10W 22k ohm
R417	119-1021-15	1/10W 1k ohm	R806	119-1831-15	1/10W 18k ohm	R914	119-2231-15	1/10W 22k ohm
R418	119-1041-15	1/10W 100k ohm	R807	119-2231-15	1/10W 22k ohm	R915	119-2231-15	1/10W 22k ohm
R419	119-4731-15	1/10W 47k ohm	R808	119-2231-15	1/10W 22k ohm	R916	119-2231-15	1/10W 22k ohm
R420	119-1021-15	1/10W 1k ohm	R813	119-1031-15	1/10W 10k ohm	R917	119-1041-15	1/10W 100k ohm
R421	119-4731-15	1/10W 47k ohm	R814	119-1031-15	1/10W 10k ohm	R918	119-1041-15	1/10W 100k ohm
R422	119-1021-15	1/10W 1k ohm	R815	119-4721-15	1/10W 4.7k ohm	R919	119-1021-15	1/10W 1k ohm
R423	119-4731-15	1/10W 47k ohm	R816	119-4721-15	1/10W 4.7k ohm	R920	119-1021-15	1/10W 1k ohm
R428	119-4731-15	1/10W 47k ohm	R817	119-8221-15	1/10W 8.2k ohm	R921	119-1031-15	1/10W 10k ohm
R429	119-1021-15	1/10W 1k ohm	R818	119-8221-15	1/10W 8.2k ohm	R922	119-1031-15	1/10W 10k ohm
R431	119-4731-15	1/10W 47k ohm	R821	119-4721-15	1/10W 4.7k ohm	R923	119-4721-15	1/10W 4.7k ohm
R433	119-4731-15	1/10W 47k ohm	R822	119-4721-15	1/10W 4.7k ohm	R924	119-4721-15	1/10W 4.7k ohm
R434	119-2231-15	1/10W 22k ohm	R823	119-1031-15	1/10W 10k ohm	R1002	119-3011-15	1/10W 300 ohm
R436	119-2231-15	1/10W 22k ohm	R824	119-1031-15	1/10W 10k ohm	R1003	119-3011-15	1/10W 300 ohm
R437	032-0092-63	1/8W 18k ohm F	R825	119-2221-15	1/10W 2.2k ohm	R1004	119-1031-15	1/10W 10k ohm
R438	119-2231-15	1/10W 22k ohm	R828	119-2221-15	1/10W 2.2k ohm	R1005	119-5631-15	1/10W 56k ohm
R440	119-4731-15	1/10W 47k ohm	R829	119-2221-15	1/10W 2.2k ohm	R1006	119-1021-15	1/10W 1k ohm
R442	119-1021-15	1/10W 1k ohm	R832	119-2221-15	1/10W 2.2k ohm	R1010	119-2231-15	1/10W 22k ohm
R444	119-4731-15	1/10W 47k ohm	R833	119-3321-15	1/10W 3.3k ohm	R1015	119-4731-15	1/10W 47k ohm
R445	032-0092-63	1/8W 18k ohm F	R834	119-3321-15	1/10W 3.3k ohm	R1016	119-1031-15	1/10W 10k ohm
R447	119-4731-15	1/10W 47k ohm	R837	119-5611-15	1/10W 560 ohm	R1017	119-1031-15	1/10W 10k ohm
R448	032-0092-95	1/8W 100k ohmF	R838	119-5611-15	1/10W 560 ohm	R1018	119-5631-15	1/10W 56k ohm
R449	032-0092-95	1/8W 100k ohmF	R839	119-4731-15	1/10W 47k ohm	R1019	119-5631-15	1/10W 56k ohm
R452	119-1031-15	1/10W 10k ohm	R840	119-4731-15	1/10W 47k ohm	R1020	119-5621-15	1/10W 5.6k ohm
R453	119-4731-15	1/10W 47k ohm	R850	119-2721-15	1/10W 2.7k ohm	R1021	119-5621-15	1/10W 5.6k ohm
R458	119-4731-15	1/10W 47k ohm	R851	119-2721-15	1/10W 2.7k ohm	R1022	119-3011-15	1/10W 300 ohm
R459	119-4731-15	1/10W 47k ohm	R854	119-5611-15	1/10W 560 ohm	R1026	119-4731-15	1/10W 47k ohm
R460	119-1041-15	1/10W 100k ohm	R855	119-5611-15	1/10W 560 ohm	R1040	119-1031-15	1/10W 10k ohm
R463	119-4731-15	1/10W 47k ohm	R858	119-4731-15	1/10W 47k ohm	R1041	119-5631-15	1/10W 56k ohm
R469	119-4731-15	1/10W 47k ohm	R859	119-4731-15	1/10W 47k ohm	R1042	119-1031-15	1/10W 10k ohm
R472	119-4741-15	1/10W 470k ohm	R861	119-4731-15	1/10W 47k ohm	R1043	119-4721-15	1/10W 4.7k ohm
R474	119-4741-15	1/10W 470k ohm	R862	119-4731-15	1/10W 47k ohm	R1044	119-1531-15	1/10W 15k ohm
R478	119-4731-15	1/10W 47k ohm	R863	119-4731-15	1/10W 47k ohm	R1045	119-3321-15	1/10W 3.3k ohm
R480	119-4731-15	1/10W 47k ohm	R864	119-4731-15	1/10W 47k ohm	SUP101	060-0122-91	DSP-141N-S00B
R486	119-4731-15	1/10W 47k ohm	R865	119-5611-15	1/10W 560 ohm	SUP102	060-0122-91	DSP-141N-S00B
R487	119-4731-15	1/10W 47k ohm	R866	119-5611-15	1/10W 560 ohm	VR101	012-5203-63	470k ohm
R488	119-4731-15	1/10W 47k ohm	R867	119-5611-15	1/10W 560 ohm	VR102	012-5203-56	10k ohm
R489	119-4731-15	1/10W 47k ohm	R868	119-5611-15	1/10W 560 ohm	X101	061-3013-00	4.33M
R492	119-4731-15	1/10W 47k ohm	R869	119-3921-15	1/10W 3.9k ohm	X102	061-1066-00	7.2MHz
R493	119-4731-15	1/10W 47k ohm	R870	119-8221-15	1/10W 8.2k ohm	X401	060-1505-50	10MHz
R494	119-4731-15	1/10W 47k ohm	R871	119-8221-15	1/10W 8.2k ohm	PWB	039-2286-22	PWB(WITHOUT COMPONENT)
R502	116-3911-15	1/4W 390 ohm	R872	119-3921-15	1/10W 3.9k ohm			
R503	119-1031-15	1/10W 10k ohm	R876	119-4731-15	1/10W 47k ohm			
R504	116-1011-15	1/4W 100 ohm	R877	119-4731-15	1/10W 47k ohm			

Side PWB(B2) section: CD changer mechanism

REF No.	PART No.	DESCRIPTION	REF No.	PART No.	DESCRIPTION	REF No.	PART No.	DESCRIPTION
C101	168-1045-56	0.1uF Z	L101	010-3071-65	18uH	R126	119-2221-15	1/10W 2.2k ohm
C102	168-1042-78	16V 0.1uF	L102	010-3407-68	NLV32 33uH J	R504	119-5621-15	1/10W 5.6k ohm
C104	163-1073-15	6.3V 100uF	Q101	125-2004-92	RN1402	R505	119-1031-15	1/10W 10k ohm
C106	163-1063-35	16V 10uF	Q102	131-1188-50	2SB1188PQR	R506	119-1041-15	1/10W 100k ohm
C107	163-1073-15	6.3V 100uF	Q103	193-1758-00	2SD1758TK P,Q,R	R507	119-0000-05	1/10W 0 ohm JW
C108	168-1042-78	16V 0.1uF	Q104	193-1758-00	2SD1758TK P,Q,R	R509	119-4731-15	1/10W 47k ohm
C109	168-1042-78	16V 0.1uF	Q105	125-0014-92	DTA114EK	R510	119-1031-15	1/10W 10k ohm
C110	168-1042-78	16V 0.1uF	Q106	125-2004-92	RN1402	R511	119-1031-15	1/10W 10k ohm
C111	163-1073-35	16V100uF	Q502	190-1162-00	2SA1162	R512	050-0145-54	1/16W 47k ohm x4
C112	168-2722-55	2700pF K	Q503	190-1162-00	2SA1162	R513	119-1041-15	1/10W 100k ohm
C113	163-2263-35	16V 22uF	Q504	192-2712-00	2SC2712	R514	119-2241-15	1/10W 220k ohm
C114	163-2263-35	16V 22uF	Q505	125-2004-92	RN1402	R515	119-2241-15	1/10W 220k ohm
C115	166-3311-50	330pF CH	Q506	125-0014-92	DTA114EK	R516	119-2241-15	1/10W 220k ohm
C116	166-3311-50	330pF CH	Q507	125-0002-92	RN2402	R517	119-1041-15	1/10W 100k ohm
C117	166-1011-50	100pF CH	Q508	192-2712-00	2SC2712	R518	119-2241-15	1/10W 220k ohm
C118	166-1011-50	100pF CH	R101	119-4711-15	1/10W 470 ohm	R522	119-1041-15	1/10W 100k ohm
C119	168-2722-55	2700pF K	R102	119-2231-15	1/10W 22k ohm	R524	119-1041-15	1/10W 100k ohm
C120	168-1022-55	1000pF K	R103	119-1821-15	1/10W 1.8k ohm	R526	119-4731-15	1/10W 47k ohm
C121	163-2263-35	16V 22uF	R104	119-1831-15	1/10W 18k ohm	R529	119-1021-15	1/10W 1k ohm
C122	168-1022-55	1000pF K	R105	116-1211-15	1/4W 120 ohm	R531	119-1021-15	1/10W 1k ohm
C123	163-2263-35	16V 22uF	R106	119-1041-15	1/10W 100k ohm	R532	119-1021-15	1/10W 1k ohm
C124	042-0403-55	16V 33uF	R107	119-4731-15	1/10W 47k ohm	R533	119-1021-15	1/10W 1k ohm
C125	042-0403-55	16V 33uF	R108	119-1031-15	1/10W 10k ohm	R535	119-2231-15	1/10W 22k ohm
C501	163-1063-35	16V 10uF	R109	119-1031-15	1/10W 10k ohm	R536	119-2231-15	1/10W 22k ohm
C502	168-1045-56	0.1uF Z	R110	119-4741-15	1/10W 470k ohm	R538	119-1031-15	1/10W 10k ohm
C503	168-4735-56	0.047uF Z	R111	119-4741-15	1/10W 470k ohm	R539	119-5631-15	1/10W 56k ohm
C504	168-1045-56	0.1uF Z	R112	119-2731-15	1/10W 27k ohm	R541	119-1021-15	1/10W 1k ohm
D100	001-0516-90	MA111	R113	119-2731-15	1/10W 27k ohm	R542	119-4721-15	1/10W 4.7k ohm
D103	001-0504-07	HZS4BLL	R114	119-2731-15	1/10W 27k ohm	R543	119-1041-15	1/10W 100k ohm
D104	001-0516-90	MA111	R115	119-2731-15	1/10W 27k ohm	R544	119-1041-15	1/10W 100k ohm
D105	001-0529-31	MA8056-L	R116	119-5611-15	1/10W 560 ohm	R545	119-1041-15	1/10W 100k ohm
IC501	051-9400-28	BR93LC46F-WE2	R117	119-5611-15	1/10W 560 ohm	R546	119-1021-15	1/10W 1k ohm
IC502	052-5047-24	M30621MCM-4U9GP	R118	119-4731-15	1/10W 47k ohm	R547	119-1021-15	1/10W 1k ohm
IC503	051-5418-08	S-80827ANMP-EDQ	R119	119-4731-15	1/10W 47k ohm	R548	119-1021-15	1/10W 1k ohm
IC504	051-1407-90	NJM4556AM	R120	119-3941-15	1/10W 390k ohm	R549	119-1021-15	1/10W 1k ohm
J101	074-1189-95	45P	R121	119-1041-15	1/10W 100k ohm	X501	060-1505-50	10MHz
J102	074-1191-22	22P	R123	119-1041-15	1/10W 100k ohm	PWB	039-2433-20	PWB(WITHOUT COMPONENT)
			R124	119-1041-15	1/10W 100k ohm			
			R125	119-1041-15	1/10W 100k ohm			

CD PWB(B3) section: CD changer mechanism

REF No.	PART No.	DESCRIPTION	REF No.	PART No.	DESCRIPTION	REF No.	PART No.	DESCRIPTION
C2	046-1022-58	1000pF	C32	046-1022-58	1000pF	L2	010-3050-93	10uH
C3	168-1042-78	16V 0.1uF	C33	046-3322-58	3300pF	Q2	131-1188-00	2SB1188
C4	042-0636-54	4V 220uF	C34	168-2732-55	16V 0.027uF K	Q3	131-1188-00	2SB1188
C5	168-1042-78	16V 0.1uF	C35	178-2742-78	0.27uF	R2	033-1041-15	1/10W 100k ohm
C6	046-1032-78	0.01uF	C36	178-1052-78	1uF	R4	033-3311-15	1/10W 330 ohm
C7	168-1042-78	16V 0.1uF	C37	168-1042-78	16V 0.1uF	R5	033-1041-15	1/10W 100k ohm
C8	178-4742-78	0.47uF	C38	042-0472-91	16V 47uF	R6	033-3931-15	1/10W 39k ohm
C9	178-2242-78	0.22uF	C39	042-0636-50	6.3V 100uF	R7	033-1041-15	1/10W 100k ohm
C10	168-1042-78	16V 0.1uF	C40	045-1211-50	120pF	R8	033-5611-15	1/10W 560 ohm
C11	168-1042-78	16V 0.1uF	C41	045-1011-50	100pF	R9	033-5611-15	1/10W 560 ohm
C12	168-1042-78	16V 0.1uF	C42	168-1042-78	16V 0.1uF	R10	033-1011-15	1/10W 100 ohm
C13	046-2232-78	0.022uF	C43	042-0636-52	4V 47uF	R11	033-3911-15	1/10W 390 ohm
C14	168-5612-55	560pF Z	C50	168-1042-78	16V 0.1uF	R12	033-2221-15	1/10W 2.2k ohm
C15	168-1042-78	16V 0.1uF	C51	168-1042-78	16V 0.1uF	R13	033-6831-15	1/10W 68k ohm
C16	046-2212-58	220pF	C60	168-5612-55	560pF Z	R14	033-5621-15	1/10W 5.6k ohm
C17	046-2212-58	220pF	D1	001-0367-91	1SS226	R15	033-1021-15	1/10W 1k ohm
C18	168-1222-55	1200pF K	IC1	051-6365-00	MN662785TBUC	R16	033-5631-15	1/10W 56k ohm
C19	046-3322-58	3300pF	IC2	051-9318-00	MSM51V17400D-60TS-K	R17	033-1031-15	1/10W 10k ohm
C20	168-3932-78	0.039uF K	IC2	051-9318-51	K4E160412C-FC60	R18	033-1031-15	1/10W 10k ohm
C21	168-3932-78	0.039uF K	IC3	051-6060-08	BD7961FM-E2	R19	033-5621-15	1/10W 5.6k ohm
C22	042-0416-52	10V 10uF M TAN	IC4	051-5711-90	AN8882SB-E1	R20	033-6831-15	1/10W 68k ohm
C25	178-1052-78	1uF	J1	074-1189-95	45P	R21	033-5621-15	1/10W 5.6k ohm
C26	042-0472-91	16V 47uF	J4	074-1138-56	6P	R22	033-1031-15	1/10W 10k ohm
C27	178-3342-78	0.33uF	J5	074-1201-65	15P	R23	033-1031-15	1/10W 10k ohm
C29	168-2732-55	16V 0.027uF K	J6	074-1059-76	26P	R24	033-4731-15	1/10W 47k ohm
C30	042-0416-58	4V 100uF M TAN	L2	010-2155-93	10uH	R25	033-3931-15	1/10W 39k ohm
C31	042-0636-52	4V 47uF				R26	033-6831-15	1/10W 68k ohm

REF No.	PART No.	DESCRIPTION	REF No.	PART No.	DESCRIPTION	REF No.	PART No.	DESCRIPTION
R27	033-6831-15	1/10W 68k ohm	R39	033-1831-15	1/10W 18k ohm	R48	033-1031-15	1/10W 10k ohm
R28	033-1031-15	1/10W 10k ohm	R40	117-1001-15	1/8W 10 ohm	R49	033-1011-15	1/10W 100 ohm
R29	033-2201-15	1/10W 22 ohm	R41	033-6821-15	1/10W 6.8k ohm	R50	050-0140-74	1/32W 12k ohm x 4J
R31	033-8211-15	1/10W 820 ohm	R42	033-6821-15	1/10W 6.8k ohm	R60	033-2221-15	1/10W 2.2k ohm
R32	033-5631-15	1/10W 56k ohm	R43	033-3331-15	1/10W 33k ohm	TM1	073-0768-90	TERMINAL
R33	033-6831-15	1/10W 68k ohm	R44	033-5631-15	1/10W 56k ohm	X1	060-1527-90	33.8688MHz
R34	033-3331-15	1/10W 33k ohm	R45	116-4711-15	1/4W 470 ohm	PWB	039-2398-20	PWB(WITHOUT COMPONENT)
R35	033-6831-15	1/10W 68k ohm	R46	117-1811-15	1/8W 180 ohm			
R38	033-3931-15	1/10W 39k ohm	R47	116-4711-15	1/4W 470 ohm			

Sensor PWB(B4) section: CD changer mechanism

REF No.	PART No.	DESCRIPTION	REF No.	PART No.	DESCRIPTION	REF No.	PART No.	DESCRIPTION
PT3	060-0252-01	PT4850F	PT6	060-0252-01	PT4850F	PWB	039-1956-00	PWB(WITHOUT COMPONENT)
PT4	060-0252-01	PT4850F	S1	013-7414-50	SPVG22			
PT5	060-0252-01	PT4850F						

PIM-FPC PWB(B5) section: CD changer mechanism

REF No.	PART No.	DESCRIPTION
IC5	051-5806-02	GPIS95

Driver PWB(B6) section: CD changer mechanism

REF No.	PART No.	DESCRIPTION	REF No.	PART No.	DESCRIPTION	REF No.	PART No.	DESCRIPTION
C1	168-1045-56	0.1uF Z	J1	074-1239-76	26P	R3	032-0104-59	1/4W 2.2 ohm
C2	163-1073-35	16V100uF	J2	074-1100-59	9P	S2	013-7412-50	SPVG21
D1	001-0529-29	MA8051-M	R1	033-1021-15	1/10W 1k ohm	PWB	039-2242-00	PWB(WITHOUT COMPONENT)
IC1	051-6044-18	BA6920FP-Y	R2	032-0104-59	1/4W 2.2 ohm			

PIV-FPC PWB(B7) section: CD changer mechanism

REF No.	PART No.	DESCRIPTION
IC6	051-5806-01	GPIS93

LED-L-PWB(B8) section: CD changer mechanism

REF No.	PART No.	DESCRIPTION	REF No.	PART No.	DESCRIPTION
LED3	001-7042-00	GL4800	PWB	039-1954-20	PWB(WITHOUT COMPONENT)
LED4	001-7042-00	GL4800			

LED-R-PWB(B9) section: CD changer mechanism

REF No.	PART No.	DESCRIPTION	REF No.	PART No.	DESCRIPTION
LED5	001-7042-00	GL4800	PWB	039-1955-20	PWB(WITHOUT COMPONENT)
LED6	001-7042-00	GL4800			

L-Motor-FPC(B10) section: CD changer mechanism

REF No.	PART No.	DESCRIPTION
M1	SMA-186-100	LOADING

M/S-FPC(B11) section: CD changer mechanism

REF No.	PART No.	DESCRIPTION	REF No.	PART No.	DESCRIPTION	REF No.	PART No.	DESCRIPTION
M2	SMA-185-101	SPINDLE	M3	SMA-191-100	SLED	S3	013-7414-50	SPVG22

Side PWB(B12) section: Tape mechanism

REF No.	PART No.	DESCRIPTION	REF No.	PART No.	DESCRIPTION	REF No.	PART No.	DESCRIPTION
C1	168-5612-55	560pF	C16	168-1032-55	0.01uF	R8	119-3341-15	1/10W 330k ohm
C2	168-5612-55	560pF	C17	178-4745-79	0.47uF	R9	119-1131-15	1/10W 11k ohm
C3	168-5612-55	560pF	C18	168-1042-78	0.1uF	R10	119-1131-15	1/10W 11k ohm
C4	168-5612-55	560pF	C19	163-2263-35	16V 22uF	R11	119-1531-15	1/10W 15k ohm
C5	178-1055-79	1uF	IC1	051-5204-00	HA12216F	R12	119-1531-15	1/10W 15k ohm
C6	168-1232-55	0.012uF	J1	074-0898-10	10P	R13	032-0140-80	1/10W 18k ohm F
C7	168-1232-55	0.012uF	L1	010-2198-76	0.047uH	R14	119-1531-15	1/10W 15k ohm
C8	168-4732-78	0.047uF	L2	010-2198-76	0.047uH	R15	119-1031-15	1/10W 10k ohm
C9	168-4732-78	0.047uF	R1	119-2731-15	1/10W 27k ohm	R16	119-3921-15	1/10W 3.9k ohm
C10	168-5612-55	560pF	R2	119-2731-15	1/10W 27k ohm	R17	119-1241-15	1/10W 120k ohm
C11	168-5612-55	560pF	R3	119-2731-15	1/10W 27k ohm	R18	119-2231-15	1/10W 22k ohm
C12	168-1042-78	0.1uF	R4	119-2731-15	1/10W 27k ohm	VR1	012-6014-56	10k ohm
C13	168-1042-78	0.1uF	R5	119-1811-15	1/10W 180 ohm	VR2	012-6014-56	10k ohm
C14	168-1032-55	0.01uF	R6	119-1811-15	1/10W 180 ohm	PWB	039-1912-01	PWB(WITHOUT COMPONENT)
C15	163-4753-50	35V 4.7uF	R7	119-3341-15	1/10W 330k ohm			

Bottom PWB(B13) section: Tape mechanism

REF No.	PART No.	DESCRIPTION	REF No.	PART No.	DESCRIPTION	REF No.	PART No.	DESCRIPTION
IC2	051-1776-00	NJL5801K	SW1	013-3953-01	SPPB32	SW2	013-3951-32	MODE SWITCH

Rear PWB(B14) section: Tape mechanism

REF No.	PART No.	DESCRIPTION	REF No.	PART No.	DESCRIPTION	REF No.	PART No.	DESCRIPTION
P1	076-0368-10	10P	R19	111-5611-91	1/4WS 560 ohm	PWB	039-1913-00	PWB(WITHOUT COMPONENT)
J2	074-1012-20	20P	S1	013-3906-00	SPPB51			