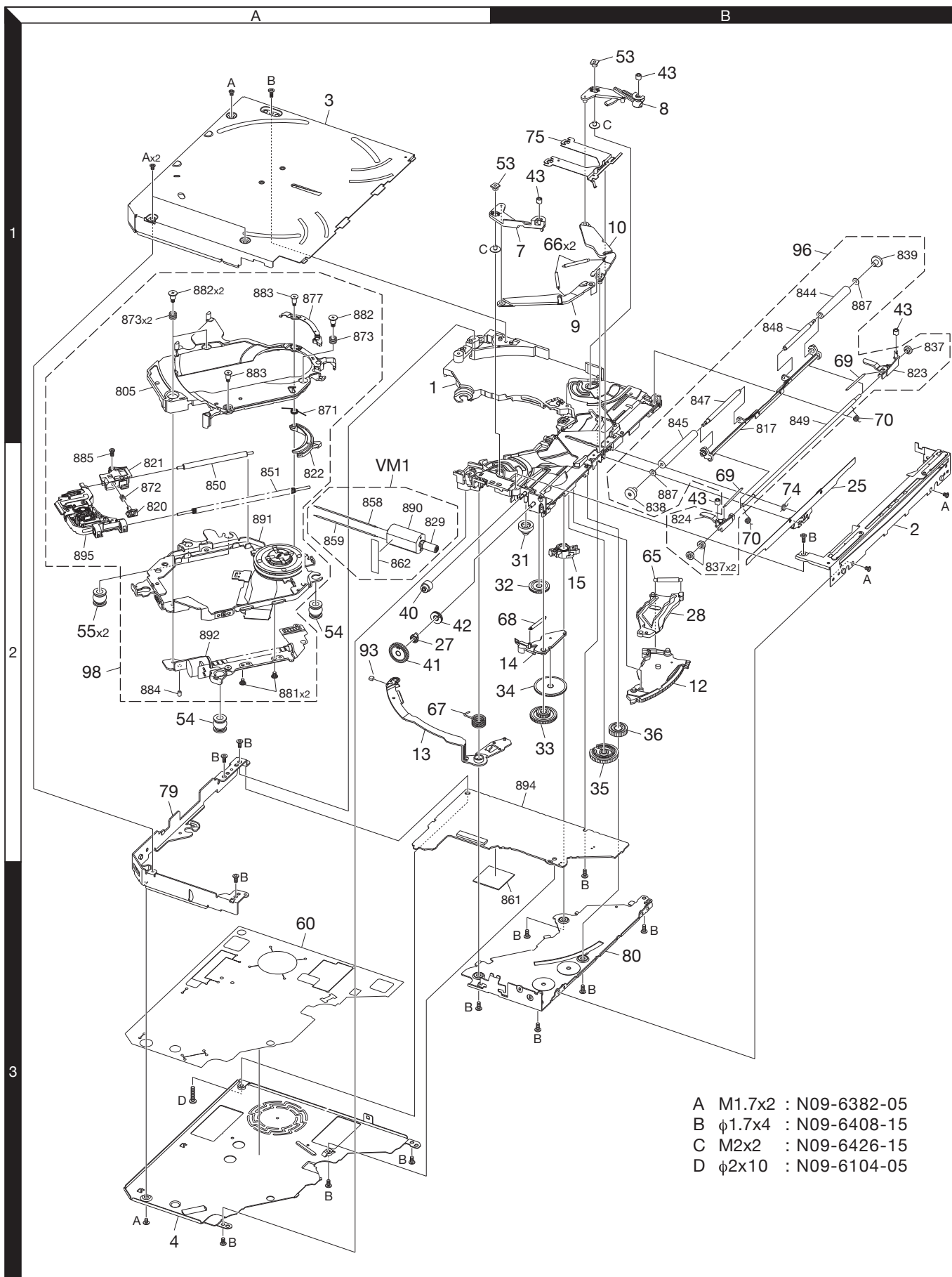
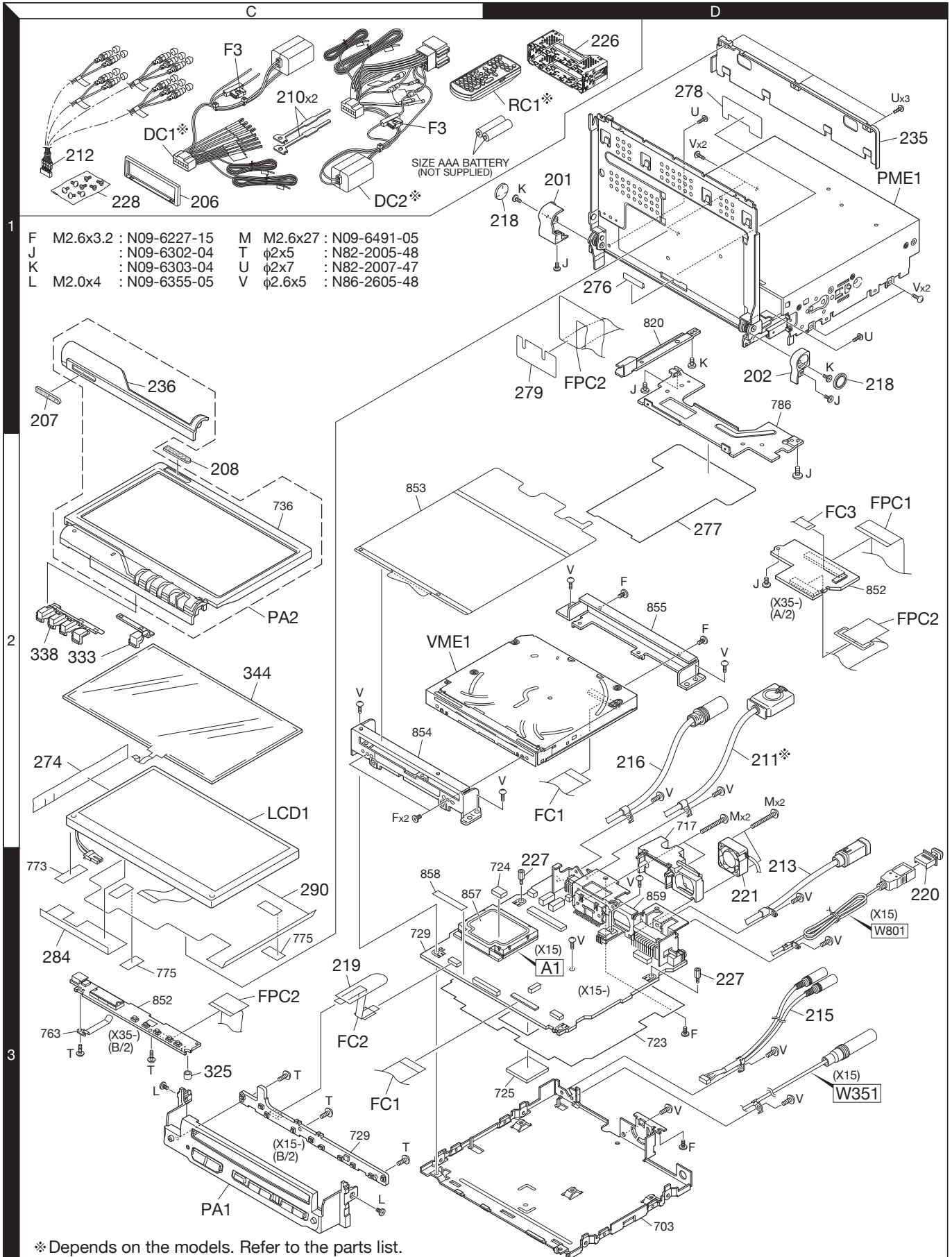


# EXPLODED VIEW (DVD MECHANISM)



Parts with the exploded numbers larger than 700 are not supplied.

# EXPLODED VIEW (UNIT)



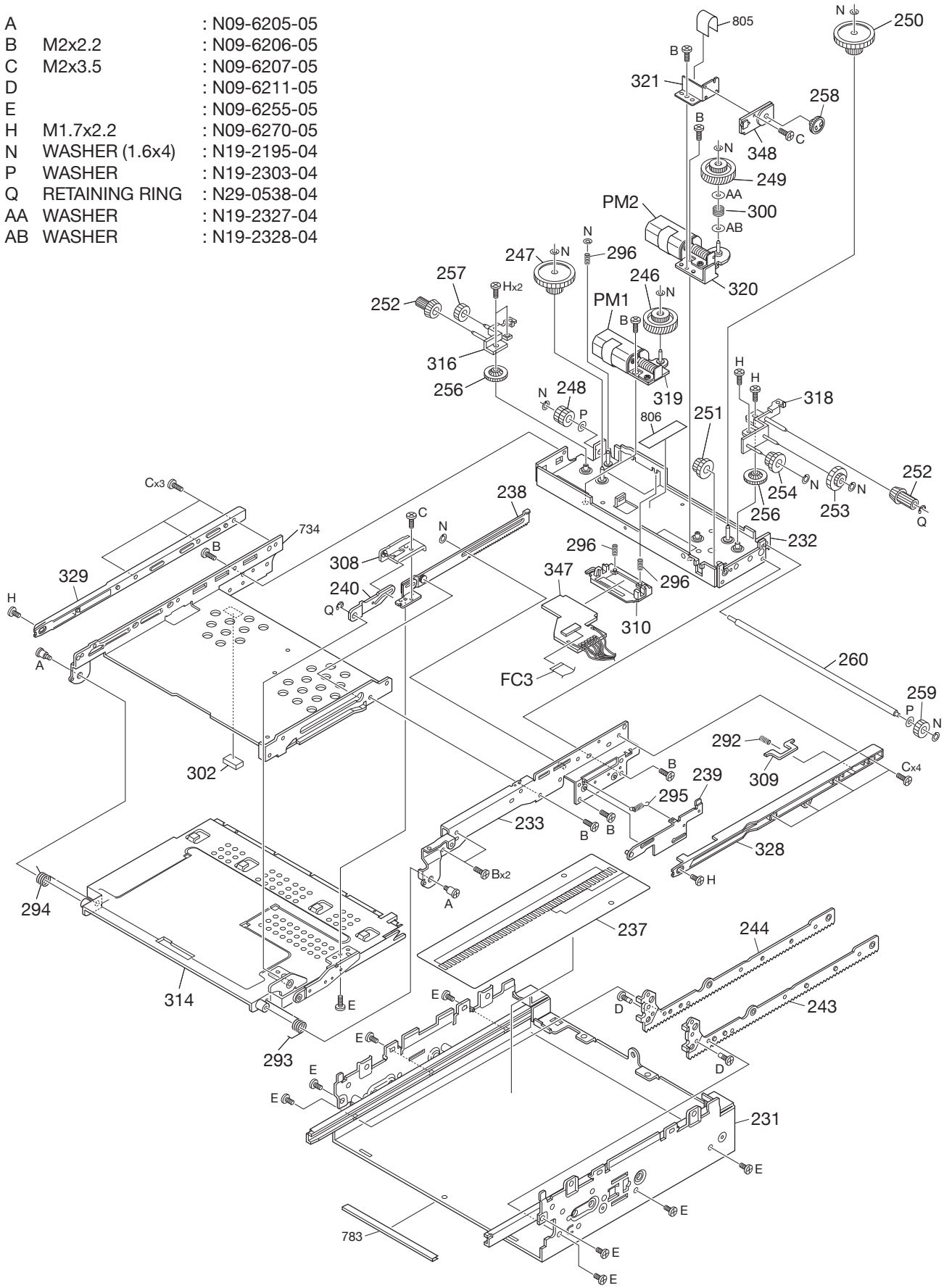
F	M2.6x3.2	: N09-6227-15	M	M2.6x27	: N09-6491-05
J		: N09-6302-04	T	φ2x5	: N82-2005-48
K		: N09-6303-04	U	φ2x7	: N82-2007-47
L	M2.0x4	: N09-6355-05	V	φ2.6x5	: N86-2605-48

\* Depends on the models. Refer to the parts list.

Parts with the exploded numbers larger than 700 are not supplied.

# EXPLODED VIEW (DISPLAY ASSY)

- |    |                |               |
|----|----------------|---------------|
| A  | :              | N09-6205-05   |
| B  | M2x2.2         | : N09-6206-05 |
| C  | M2x3.5         | : N09-6207-05 |
| D  |                | : N09-6211-05 |
| E  |                | : N09-6255-05 |
| H  | M1.7x2.2       | : N09-6270-05 |
| N  | WASHER (1.6x4) | : N19-2195-04 |
| P  | WASHER         | : N19-2303-04 |
| Q  | RETAINING RING | : N29-0538-04 |
| AA | WASHER         | : N19-2327-04 |
| AB | WASHER         | : N19-2328-04 |



Parts with the exploded numbers larger than 700 are not supplied.

# PARTS LIST

\* New parts

Parts without **Parts No.** are not supplied.

Les articles non mentionnés dans le **Parts No.** ne sont pas fournis.

Teile ohne **Parts No.** werden nicht geliefert.

Ref. No.	A d d	N e w	Parts No.	Description	Desti- nation
<b>KVT-50DVDRY/512/522DVD/522DVDY/532DVD/532DVDM</b>					
201	1D	*	A21-6612-02+	DRESSING PANEL	E3
201	1D	*	A21-6662-12+	DRESSING PANEL	KR1E1
201	1D	*	A21-6662-12+	DRESSING PANEL	E2M1M2
201	1D	*	A21-6662-12+	DRESSING PANEL	X1
202	1D	*	A21-6663-03+	DRESSING PANEL	
PA1	3C	*	A64-4489-02	PANEL ASSY	KR1X1
PA1	3C	*	A64-4491-02	PANEL ASSY	E1E2M1
PA1	3C	*	A64-4491-02	PANEL ASSY	M2E3
RC1	1C		A70-2083-15	REMOTE CONTROLLER ASS(RC-DV340	E2M1M2
RC1	1C		A70-2083-15	REMOTE CONTROLLER ASS (RC-DV340	X1E3
-		*	B54-4637-00	INSTALLATION MANU (ENG.FRE.SPA)	KR1
-		*	B54-4638-00	INSTALLATION MANUAL (POR.)	R1
-		*	B54-4639-00	INSTALLATION MANUAL (ENG.)	E1E2E3
-		*	B54-4640-00	INSTALLATION MANU (F.G.D.I.S.P)	E1
-		*	B54-4641-00	INSTALLATION MANUAL (RUS.)	E2E3
-		*	B54-4642-00	INSTALLATION MA (ENG.S-CHI.KOR)	M1M2X1
-		*	B64-4021-00	INSTRUCTION MANUAL (ENG.)	KR1
-		*	B64-4022-00	INSTRUCTION MANUAL (FRE.)	K
-		*	B64-4023-00	INSTRUCTION MANUAL (SPA.)	KR1
-		*	B64-4024-00	INSTRUCTION MANUAL (POR.)	R1
-		*	B64-4025-00	INSTRUCTION MANUAL (ENG.)	E1E2E3
-		*	B64-4026-00	INSTRUCTION MANUAL (FRE.)	E1
-		*	B64-4027-00	INSTRUCTION MANUAL (GER.)	E1
-		*	B64-4028-00	INSTRUCTION MANUAL (DUT.)	E1
-		*	B64-4029-00	INSTRUCTION MANUAL (ITA.)	E1
-		*	B64-4030-00	INSTRUCTION MANUAL (SPA.)	E1
-		*	B64-4031-00	INSTRUCTION MANUAL (POR.)	E1
-		*	B64-4032-00	INSTRUCTION MANUAL (RUS.)	E2E3
-		*	B64-4033-00	INSTRUCTION MANUAL (ENG.)	M1M2X1
-		*	B64-4034-00	INSTRUCTION MANUAL (S-CHI.)	M1
-		*	B64-4035-00	INSTRUCTION MANUAL (KOR.)	M1
206	1C		B07-3159-02	ESCUTCHEON	
207	1C		B43-1518-04	BADGE	
208	2C		B43-1527-04	BADGE	
210	1C		D10-4589-04	LEVER	
211	2D	*	E30-6812-05	CORD WITH PLUG	E1E2M1
211	2D	*	E30-6812-05	CORD WITH PLUG	M2X1E3
212	1C	*	E30-6813-05	CORD WITH PINPLUG	
213	3D	*	E30-6814-05	CONNECTING CORD ASSY	
215	3D	*	E30-6817-05	CORD WITH PLUG (IPOD)	
216	2D	*	E30-6818-05	CORD WITH PLUG (NAVI)	
△ DC1	1C	*	E30-6815-05	DC CORD	KR1M1
△ DC1	1C	*	E30-6815-05	DC CORD	M2X1
△ DC2	1C	*	E30-6816-05	DC CORD (ISO)	E1E2E3
FC1	2D	*	E39-0999-05	FLAT CABLE (50P)	
FC2	3C	*	E39-1000-05	FLAT CABLE (11P)	
218	1D	*	F07-1189-04	COVER	
219	3D		F09-1206-04	SHEET	
220	2D		F09-2929-04	CAP	
221	3D	*	F09-2971-05	FAN	
F3	1C		F05-1537-05	FUSE 15A	

Ref. No.	A d d	N e w	Parts No.	Description	Desti- nation
-		*	H54-4298-03	ITEM CARTON CASE	K
-		*	H54-4299-03	ITEM CARTON CASE	R1
-		*	H54-4300-03	ITEM CARTON CASE	M1X1
-		*	H54-4301-03	ITEM CARTON CASE	E1
-		*	H54-4302-03	ITEM CARTON CASE	E2
-		*	H54-4306-03	ITEM CARTON CASE	M2
-		*	H54-4382-03	ITEM CARTON CASE	E3
226	1D		J21-9716-03	MOUNTING HARDWARE ASSY	
227	3D	*	J32-1388-04	HEXAGON BOSS	
228	1C	*	N99-1758-15	SCREW SET	KR1M1
228	1C	*	N99-1758-15	SCREW SET	M2X1
F	3D		N09-6227-15	MACHINE SCREW (M2.6X 3.2NI)	
J	1D		N09-6302-04	MACHINE SCREW	
K	1D		N09-6303-04	MACHINE SCREW	
L	3C		N09-6355-05	MACHINE SCREW (M2.0X4)	
M	2D		N09-6491-05	MACHINE SCREW (M2.6X27)	
T	3C		N82-2005-48	BINDING HEAD TAPTITE SCREW	
V	3D		N86-2605-48	BINDING HEAD TAPTITE SCREW	
<b>DISPLAY ASSY</b>					
231	3F	*	A10-5164-12	CHASSIS CALKING ASSY	
232	2F	*	A10-5166-33	CHASSIS CALKING ASSY	
233	2F	*	A10-5168-13	CHASSIS CALKING ASSY	
235	1D	*	A46-1857-22+	REAR COVER	
PA2	2C	*	A64-4481-11+	PANEL ASSY	K
PA2	2C	*	A64-4482-11+	PANEL ASSY	R1
PA2	2C	*	A64-4483-11+	PANEL ASSY	E1E2
PA2	2C	*	A64-4484-11+	PANEL ASSY	M1M2X1
PA2	2C	*	A64-4611-01+	PANEL ASSY	E3
PME1	1D		A10-5171-51	CHASSIS ASSY	
236	1C	*	B07-3241-12	ESCUTCHEON	K
236	1C	*	B07-3242-12	ESCUTCHEON	M1M2X1
236	1C	*	B07-3243-12	ESCUTCHEON	E1E2
236	1C	*	B07-3266-02	ESCUTCHEON	R1
236	1C	*	B07-3267-02	ESCUTCHEON	E3
237	3F		B11-1453-04	REFLECTION SHEET	
LCD1	2C		B38-1196-05	LCD (7INCH)	
238	2F	*	D10-4836-13	ARM ASSY	
239	2F	*	D10-4837-34	LEVER ASSY	
240	2E		D10-4840-03	ARM	
243	3F		D13-2335-03	RACK (GEAR)	
244	3F		D13-2336-03	RACK (GEAR)	
246	1F		D13-2338-04	GEAR	
247	1F		D13-2339-04	GEAR	
248	2F		D13-2340-04	GEAR	
249	1F		D13-2341-04	GEAR	
250	1F		D13-2342-04	GEAR	
251	1F		D13-2343-04	GEAR	
252	1E		D13-2344-04	GEAR	
253	2F		D13-2345-04	GEAR	
254	2F		D13-2346-04	GEAR	
256	1E		D13-2349-04	GEAR	
257	1E		D13-2350-04	GEAR	
258	1F		D13-2351-04	GEAR	

E1 : KVT-522DVD E2 : KVT-522DVDY E3 : KVT-50DVDRY (Europe)

K : KVT-512 (North America) R1 : KVT-532DVD (Latin America)

X1 : KVT-532DVD (Australia) M1 : KVT-532DVD M2 : KVT-532DVDM (Other Areas)

△ Indicates safety critical components.

# PARTS LIST

## DISPLAY ASSY

Ref. No.	A d d	N e w	Parts No.	Description	Desti- nation
259	2F	*	D13-2457-04	GEAR	
260	2F	*	D21-2446-13	EXTENSION SHAFT	
FC3	2F		E39-0665-05	FLAT CABLE	
274	2C	*	F09-2950-04	SHEET	
276	1D	*	F09-2951-04	SHEET	
277	2D	*	F09-2952-04	SHEET	
278	1D	*	F09-2953-04	SHEET	
279	1D	*	F09-2954-04	SHEET	
284	3C	*	F12-0966-04	SHIELDING SHEET	
290	3C	*	F20-2447-03	INSULATING SHEET	
292	2F		G01-3222-04	COMPRESSION SPRING	
293	3E	*	G01-3223-14	TORSION COIL SPRING	
294	3E		G01-3224-04	TORSION COIL SPRING	
295	2F		G01-3225-04	EXTENSION SPRING	
296	2F		G01-3226-04	COMPRESSION SPRING	
300	1F		G01-4653-04	COMPRESSION SPRING	
302	2E		G11-3587-04	CUSHION	
308	2E		J19-7004-03	HOLDER	
309	2F		J19-7005-04	STABILIZER	
310	2F		J19-7007-03	HOLDER	
314	3E	*	J22-0198-32	MOUNTING HARDWARE ASSY	
316	1E	*	J22-0200-14	MOUNTING HARDWARE ASSY	
318	1F	*	J22-0202-14	MOUNTING HARDWARE ASSY	
319	1F	*	J22-0203-23	MOUNTING HARDWARE ASSY	
320	1F	*	J22-0206-33	MOUNTING HARDWARE ASSY	
321	1F		J22-0212-04	MOUNTING HARDWARE	
325	3C		J39-0864-14	SPACER	
328	2F		J90-1092-03	GUIDE	
329	2E		J90-1093-03	GUIDE	
FPC1	2D	*	J86-0052-05	FPC (LEAD FREE) (68P)	
FPC2			J86-0038-15	FPC (LEAD FREE) (50P)	
333	2C	*	K24-4866-03	PUSH KNOB (NAV)	
338	2C	*	K25-1925-02	PUSH KNOB (SRC/4KEY)	
A	2E		N09-6205-05	STEPPED SCREW	
AA	1F		N19-2327-04	FLAT WASHER	
AB	1F		N19-2328-04	FLAT WASHER	
B	2F		N09-6206-05	MACHINE SCREW (M2X2.2)	
C	2E		N09-6207-05	MACHINE SCREW (M2X3.5)	
D	3F		N09-6211-05	STEPPED SCREW	
E	3F		N09-6225-05	MACHINE SCREW	
H	2E		N09-6270-05	MACHINE SCREW (M1.7X2.2)	
J	2D		N09-6302-04	MACHINE SCREW	
K	1D		N09-6303-04	MACHINE SCREW	
N	1F		N19-2195-04	FLAT WASHER (1.6X4X0.25 BLUE)	
P	2F		N19-2303-04	FLAT WASHER	
Q	2E		N29-0538-04	RETAINING RING (2)	
T	3C		N82-2005-48	BINDING HEAD TAPTITE SCREW	
U	1D		N82-2007-47	BINDING HEAD TAPTITE SCREW	
344	2C		S79-0858-05	SWITCH ASSY (7INCH/T0.7)	
PM1	1F		T42-1097-04	MOTOR ASSY	
PM2	1F		T42-1099-04	MOTOR ASSY	

Ref. No.	A d d	N e w	Parts No.	Description	Desti- nation
347	2F		W02-5121-05	ELECTRIC CIRCUIT MODULE	
348	1F		W02-5122-05	ELECTRIC CIRCUIT MODULE	
<b>DVD PLAYER ASSY</b>					
F	2C		N09-6227-15	MACHINE SCREW (M2.6X 3.2NI)	
VME1	2C		X92-6160-00	DVD MECHANISM ASSY (DVS-8020V)	
<b>VIDEO CONTROL UNIT (X15-110x-xx)</b>					
D551-559			B30-1605-05	LED (2COLOR PG/RED)	
D560			B30-1779-05	LED (1608_SR)	
D561			B30-1605-05	LED (2COLOR PG/RED)	
C1			CK73FB1C105K	CHIP C 1.0UF K	
C2			CK73HB1E103K	CHIP C 0.010UF K	
C3,4			CK73FB1C105K	CHIP C 1.0UF K	
C5-7			CK73HB1E103K	CHIP C 0.010UF K	
C8			C90-5670-05	ELECTRO 2200UF 16WV	
C9			CK73FB1A335K	CHIP C 3.3UF K	
C10			CK73FB1C105K	CHIP C 1.0UF K	
C11			C90-5670-05	ELECTRO 2200UF 16WV	
C12			CK73GB1H104K	CHIP C 0.10UF K	
C13			CK73HB1E103K	CHIP C 0.010UF K	
C14			CK73FB1E474K	CHIP C 0.47UF K	
C15			CK73GB1H104K	CHIP C 0.10UF K	
C16			CK73EB1C106K	CHIP C 10UF K	
C18			CE32BF1C221M	CHIP EL 220UF 16WV	
C19			CE32BF0J101M	CHIP EL 100UF 6.3WV	
C21			CK73FB0J475K	CHIP C 4.7UF K	
C22			CK73HB0J105K	CHIP C 1.0UF K	
C24			CK73GB1H104K	CHIP C 0.10UF K	
C25			CE32BF1C101M	CHIP EL 100UF 16WV	
C26			CK73FB1E474K	CHIP C 0.47UF K	
C27			CK73GB1A105K	CHIP C 1.0UF K	
C28			CE32BF1C101M	CHIP EL 100UF 16WV	
C29			CK73FB0J475K	CHIP C 4.7UF K	
C31			CK73GB0J106M	CHIP C 10UF M	
C32			CK73FB1E104K	CHIP C 0.10UF K	
C35			CC73HCH1H101J	CHIP C 100PF J	
C36			CK73HB1C473K	CHIP C 0.047UF K	
C37			CC73HCH1H221J	CHIP C 220PF J	
C38			CC73HCH1H101J	CHIP C 100PF J	
C39			CC73HCH1H470J	CHIP C 47PF J	
C40			CC73HCH1H221J	CHIP C 220PF J	
C41			CK73HB1C473K	CHIP C 0.047UF K	
C43,44			CK73HB1E103K	CHIP C 0.010UF K	
C45			CK73HB1E223K	CHIP C 0.022UF K	
C46			CK73HB1E103K	CHIP C 0.010UF K	
C48-52			CK73HB1H102K	CHIP C 1000PF K	
C53			CK73FB0J106K	CHIP C 10UF K	
C54			CK73GB1H104K	CHIP C 0.10UF K	
C55			CK73HB1E103K	CHIP C 0.010UF K	
C56			CK73GB1C104K	CHIP C 0.10UF K	
C57			CK73FB0J106K	CHIP C 10UF K	
C58			CK73HB1E103K	CHIP C 0.010UF K	
C59-61			CK73GB1H104K	CHIP C 0.10UF K	
C62			CK73HB1H102K	CHIP C 1000PF K	

E1 : KVT-522DVD E2 : KVT-522DVDY E3 : KVT-50DVDRY (Europe)

K : KVT-512 (North America) R1 : KVT-532DVD (Latin America)

X1 : KVT-532DVD (Australia) M1 : KVT-532DVD M2 : KVT-532DVDM (Other Areas)

△ Indicates safety critical components.

# PARTS LIST

## VIDEO CONTROL UNIT (X15-110x-xx)

Ref. No.	Add	New	Parts No.	Description	Destination	Ref. No.	Add	New	Parts No.	Description	Destination
C63			CK73GB1C104K	CHIP C 0.10UF K		C148			CK73HB1E103K	CHIP C 0.010UF K	
C64,65			CK73HB1H102K	CHIP C 1000PF K		C149			CK73EB1A106K	CHIP C 10UF K	
C66			CK73EB1E225K	CHIP C 2.2UF K		C150			CK73HB1A104K	CHIP C 0.10UF K	
C67			CK73HB1H102K	CHIP C 1000PF K		C151			CK73HB1E103K	CHIP C 0.010UF K	
C68-70			CK73GB1H104K	CHIP C 0.10UF K		C152			CK73HB1A104K	CHIP C 0.10UF K	
C71			CK73HB1H102K	CHIP C 1000PF K		C153			CK73HB1E103K	CHIP C 0.010UF K	
C72,73			CK73HB1E103K	CHIP C 0.010UF K		C154			CK73HB1A104K	CHIP C 0.10UF K	
C74-76			CK73HB1H102K	CHIP C 1000PF K		C155			CK73HB1E103K	CHIP C 0.010UF K	
C77			CE32AV1A121M	CHIP EL 120UF 10WV		C156			CK73HB1A104K	CHIP C 0.10UF K	
C78			CE32AV0J221M	CHIP EL 220UF 6.3WV		C157			CK73HB1E103K	CHIP C 0.010UF K	
C80			CK73HB1E103K	CHIP C 0.010UF K		C161			CK73HB1E103K	CHIP C 0.010UF K	
C81			CK73GB1H104K	CHIP C 0.10UF K		C162			CK73HB1A104K	CHIP C 0.10UF K	
C82,83			CE32BQ1E680M	CHIP EL 68UF 25WV		C163			CK73HB1E103K	CHIP C 0.010UF K	
C84			CK73GB1H104K	CHIP C 0.10UF K		C164			CK73GB1C104K	CHIP C 0.10UF K	
C85			CK73HB1E103K	CHIP C 0.010UF K		C165,166			CK73HB0J105K	CHIP C 1.0UF K	
C87,88			CK73HB1E103K	CHIP C 0.010UF K		C167			CK73HB1A104K	CHIP C 0.10UF K	
C89,90			CK73HB1A104K	CHIP C 0.10UF K		C168			CK73HB1H221K	CHIP C 220PF K	
C91			CC73HCH1H101J	CHIP C 100PF J		C169			CK73HB1A104K	CHIP C 0.10UF K	
C92			CK73GB1C104K	CHIP C 0.10UF K		C170			CK73HB1H221K	CHIP C 220PF K	
C93			CC73HCH1H221J	CHIP C 220PF J		C171			CK73HB1A104K	CHIP C 0.10UF K	
C94,95			CC73HCH1H470J	CHIP C 47PF J		C172			CK73HB1H221K	CHIP C 220PF K	
C96			CC73HCH1H221J	CHIP C 220PF J		C173			CK73GB1H104K	CHIP C 0.10UF K	
C97			CK73HB1C473K	CHIP C 0.047UF K		C175			CK73EB1E106K	CHIP C 10UF K	
C99			CK73HB1E103K	CHIP C 0.010UF K		C178			CK73EB1E106K	CHIP C 10UF K	
C100			CK73HB1E223K	CHIP C 0.022UF K		C180			CK73EB1E106K	CHIP C 10UF K	
C101			CK73HB1E153K	CHIP C 0.015UF K		C181			CK73EB1E225K	CHIP C 2.2UF K	
C103-105			CK73HB1H102K	CHIP C 1000PF K		C182			CK73HB1A104K	CHIP C 0.10UF K	
C106			CK73FB0J106K	CHIP C 10UF K		C183			CK73HB1H102K	CHIP C 1000PF K	
C107			CK73GB1H104K	CHIP C 0.10UF K		C184,185			CK73GB0J106M	CHIP C 10UF M	
C108			CK73HB1E103K	CHIP C 0.010UF K		C186-192			CK73HB1A104K	CHIP C 0.10UF K	
C109			CK73GB1C104K	CHIP C 0.10UF K		C193			CC73HCH1H180J	CHIP C 18PF J	
C110			CK73FB0J106K	CHIP C 10UF K		C194			CC73HCH1H220J	CHIP C 22PF J	
C111			CK73HB1E103K	CHIP C 0.010UF K		C195			CK73HB1E103K	CHIP C 0.010UF K	
C112-114			CK73GB1H104K	CHIP C 0.10UF K		C196			CK73HB1A104K	CHIP C 0.10UF K	
C115			CK73HB1H102K	CHIP C 1000PF K		C197			CK73HB1E103K	CHIP C 0.010UF K	
C116			CK73GB1C104K	CHIP C 0.10UF K		C199-201			CK73HB1A104K	CHIP C 0.10UF K	
C117,118			CK73HB1H102K	CHIP C 1000PF K		C202			CK73HB1E103K	CHIP C 0.010UF K	
C119			CK73EB1E225K	CHIP C 2.2UF K		C203			CK73HB1H102K	CHIP C 1000PF K	
C120			CK73HB1H102K	CHIP C 1000PF K		C229			CK73HB1E103K	CHIP C 0.010UF K	
C121-123			CK73GB1H104K	CHIP C 0.10UF K		C351			CK73HB0J105K	CHIP C 1.0UF K	
C124			CK73HB1H102K	CHIP C 1000PF K		C352			CE32CL1E330M	CHIP EL 33UF 25WV	
C125,126			CK73HB1E103K	CHIP C 0.010UF K		C353-358			CK73FB1C105K	CHIP C 1.0UF K	
C127-129			CK73HB1H102K	CHIP C 1000PF K		C359			CK73HB1H102K	CHIP C 1000PF K	
C130,131			CE32AV0J221M	CHIP EL 220UF 6.3WV		C360			CK73HB0J105K	CHIP C 1.0UF K	
C133			CK73HB1E103K	CHIP C 0.010UF K		C361			CK73HB1A104K	CHIP C 0.10UF K	
C134			CK73GB1H104K	CHIP C 0.10UF K		C362			CK73EB1C106K	CHIP C 10UF K	
C135,136			CE32BQ1E680M	CHIP EL 68UF 25WV		C363,364			CK73HB1H102K	CHIP C 1000PF K	
C137			CK73GB1H104K	CHIP C 0.10UF K		C365			CK73EB1C106K	CHIP C 10UF K	
C138			CK73HB1E103K	CHIP C 0.010UF K		C366			CK73HB1A104K	CHIP C 0.10UF K	
C139			CK73EB1E225K	CHIP C 2.2UF K		C367			CK73EB1C106K	CHIP C 10UF K	
C140,141			CK73HB1E103K	CHIP C 0.010UF K		C368,369			CK73HB1H102K	CHIP C 1000PF K	
C142-144			CK73HB1A104K	CHIP C 0.10UF K		C370			CK73EB1C106K	CHIP C 10UF K	
C145			CK73HB1E103K	CHIP C 0.010UF K		C371			CK73HB1A104K	CHIP C 0.10UF K	
C146			CK73EB1A106K	CHIP C 10UF K		C372			CK73EB1A106K	CHIP C 10UF K	
C147			CK73HB1A104K	CHIP C 0.10UF K		C373,374			CK73HB1H102K	CHIP C 1000PF K	

E1 : KVT-522DVD E2 : KVT-522DVDY E3 : KVT-50DVDRY (Europe)  
K : KVT-512 (North America) R1 : KVT-532DVD (Latin America)  
X1 : KVT-532DVD (Australia) M1 : KVT-532DVD M2 : KVT-532DVDM (Other Areas)

△ Indicates safety critical components.

# PARTS LIST

## VIDEO CONTROL UNIT (X15-110x-xx)

Ref. No.	Add	New	Parts No.	Description	Destination	Ref. No.	Add	New	Parts No.	Description	Destination
C375			CK73EB1A106K	CHIP C 10UF K		C462			CK73HB0J105K	CHIP C 1.0UF K	
C376			CK73HB1E103K	CHIP C 0.010UF K		C463			CC73GCH1H101J	CHIP C 100PF J	KR1
C377			CK73GB1A474K	CHIP C 0.47UF K		C463			CC73GCH1H121J	CHIP C 120PF J	E1E2M1
C378			CK73GB0J106M	CHIP C 10UF M		C463			CC73GCH1H121J	CHIP C 120PF J	M2X1E3
C379			CK73GB1A474K	CHIP C 0.47UF K		C464			CC73GCH1H680J	CHIP C 68PF J	E1E2M1
C380-383			CK73FB1C105K	CHIP C 1.0UF K		C464			CC73GCH1H680J	CHIP C 68PF J	M2X1E3
C384			CK73FB1A475K	CHIP C 4.7UF K		C465			CK73HB0J105K	CHIP C 1.0UF K	E1E2M1
C385			CK73HB1H102K	CHIP C 1000PF K		C465			CK73HB0J105K	CHIP C 1.0UF K	M2X1E3
C386			CK73GB0J475K	CHIP C 4.7UF K		C466			CC73GCH1H100D	CHIP C 10PF D	E1E2M1
C387			CK73GB0J106M	CHIP C 10UF M		C466			CC73GCH1H100D	CHIP C 10PF D	M2X1E3
C388			CK73GB0J475K	CHIP C 4.7UF K		C466			CC73GCH1H101J	CHIP C 100PF J	KR1
C389			CK73HB1H102K	CHIP C 1000PF K		C467			CK73HB1A104K	CHIP C 0.10UF K	
C390-392			CK73HB1E103K	CHIP C 0.010UF K		C468			CK73GB0J106M	CHIP C 10UF M	
C397			CK73HB1A104K	CHIP C 0.10UF K		C469			CK73GB1C225K	CHIP C 2.2UF K	
C404			CK73EB1C106K	CHIP C 10UF K	KR1E1	C470			CK73HB0J105K	CHIP C 1.0UF K	
C404			CK73EB1C106K	CHIP C 10UF K	E2M1M2	C471			CK73GB1C225K	CHIP C 2.2UF K	
C404			CK73EB1C106K	CHIP C 10UF K	E3	C472-474			CK73HB0J105K	CHIP C 1.0UF K	
C405			CK73HB1E103K	CHIP C 0.010UF K	KR1E1	C475			CK73HB1A104K	CHIP C 0.10UF K	
C405			CK73HB1E103K	CHIP C 0.010UF K	E2M1M2	C476			CK73GB0J106M	CHIP C 10UF M	
C405			CK73HB1E103K	CHIP C 0.010UF K	E3	C477,478			CK73EB1A475K	CHIP C 4.7UF K	
C406,407			CC73HCH1H070D	CHIP C 7.0PF D	KR1E1	C479			CK73HB0J105K	CHIP C 1.0UF K	
C406,407			CC73HCH1H070D	CHIP C 7.0PF D	E2M1M2	C480			CK73HB1A104K	CHIP C 0.10UF K	
C406,407			CC73HCH1H070D	CHIP C 7.0PF D	E3	C481			CK73HB0J105K	CHIP C 1.0UF K	
C409			CK73EB1C106K	CHIP C 10UF K	KR1E1	C482			CK73EB1C106K	CHIP C 10UF K	
C409			CK73EB1C106K	CHIP C 10UF K	E2M1M2	C494-499			CK73HB0J105K	CHIP C 1.0UF K	
C409			CK73EB1C106K	CHIP C 10UF K	E3	C500			CK73HB1E103K	CHIP C 0.010UF K	
C410			CC73HCH1H331J	CHIP C 330PF J	KR1E1	C551			CK73FB1A225K	CHIP C 2.2UF K	
C410			CC73HCH1H331J	CHIP C 330PF J	E2M1M2	C601			CK73HB1A104K	CHIP C 0.10UF K	
C410			CC73HCH1H331J	CHIP C 330PF J	E3	C602,603			CK73HB1E103K	CHIP C 0.010UF K	
C411-413			CK73GB1A105K	CHIP C 1.0UF K		C604-606			CK73HB0J105K	CHIP C 1.0UF K	
C414			CK73HB1A104K	CHIP C 0.10UF K		C607			CK73GB0J106M	CHIP C 10UF M	
C417-419			CK73GB1A474K	CHIP C 0.47UF K	E1E2M1	C621-624			CK73HB1A104K	CHIP C 0.10UF K	
C417-419			CK73GB1A474K	CHIP C 0.47UF K	M2X1E3	C625			CK73GB0J475K	CHIP C 4.7UF K	
C423			CK73GB1A474K	CHIP C 0.47UF K		C626-630			CK73HB1A104K	CHIP C 0.10UF K	
C424			CK73GB0J106M	CHIP C 10UF M		C631			CK73GB0J475K	CHIP C 4.7UF K	
C425			CK73GB1A474K	CHIP C 0.47UF K		C632-638			CK73HB1A104K	CHIP C 0.10UF K	
C427			CK73HB1A104K	CHIP C 0.10UF K	E1E2M1	C655,656			CK73GB0J106M	CHIP C 10UF M	
C427			CK73HB1A104K	CHIP C 0.10UF K	M2X1E3	C657,658			CK73HB1A104K	CHIP C 0.10UF K	
C428,429			CK73FB1A335K	CHIP C 3.3UF K		C661,662			CK73GB0J106M	CHIP C 10UF M	
C430			CK73HB1A104K	CHIP C 0.10UF K	E1E2M1	C663,664			CK73HB1H222K	CHIP C 2200PF K	
C430			CK73HB1A104K	CHIP C 0.10UF K	M2X1E3	C665,666			CK73HB1H221K	CHIP C 220PF K	
C431			CK73FB1A475K	CHIP C 4.7UF K		C667,668			CK73GB0J106M	CHIP C 10UF M	
C432-434			CK73HB0J105K	CHIP C 1.0UF K		C672			CK73HB0J105K	CHIP C 1.0UF K	
C435,436			CK73GB1A105K	CHIP C 1.0UF K		C673			CK73GB0J106M	CHIP C 10UF M	
C437,438			CK73HB0J474K	CHIP C 0.47UF K		C681			CK73HB1A104K	CHIP C 0.10UF K	
C439,440			CK73GB1A105K	CHIP C 1.0UF K		C692,693			CK73GB1C104K	CHIP C 0.10UF K	
C441			CK73HB0J105K	CHIP C 1.0UF K		C701,702			CK73GB0J106M	CHIP C 10UF M	
C443			CK73HB1E103K	CHIP C 0.010UF K		C703	*		CE32BQ0J560M	CHIP EL 56UF 6.3WV	
C446			CK73HB1E103K	CHIP C 0.010UF K		C704			CK73HB0J105K	CHIP C 1.0UF K	
C447			CK73GB0J106M	CHIP C 10UF M		C705-725			CK73HB1A104K	CHIP C 0.10UF K	
C448,449			CK73FB1C105K	CHIP C 1.0UF K		C726,727			CC73GCH1H100D	CHIP C 10PF D	
C454,455			CC73HCH1H070D	CHIP C 7.0PF D		C728			CK73HB1A104K	CHIP C 0.10UF K	
C456			CE32CL1C470M	CHIP EL 47UF 16WV		C729,730			CC73HCH1H220J	CHIP C 22PF J	
C457			CE32BQ0J331M	CHIP EL 330UF 6.3WV		C731			CK73GB0J106M	CHIP C 10UF M	
C459,460			CK73HB1A104K	CHIP C 0.10UF K		C732,733			CK73HB1A104K	CHIP C 0.10UF K	

E1 : KVT-522DVD E2 : KVT-522DVDY E3 : KVT-50DVIDRY (Europe)

K : KVT-512 (North America) R1 : KVT-532DVD (Latin America)

X1 : KVT-532DVD (Australia) M1 : KVT-532DVD M2 : KVT-532DVDM (Other Areas)

△ Indicates safety critical components.

# PARTS LIST

## VIDEO CONTROL UNIT (X15-110x-xx)

Ref. No.	Add	New	Parts No.	Description	Destination	Ref. No.	Add	New	Parts No.	Description	Destination
C734,735			CK73HB1H102K	CHIP C 1000PF K		L12,13			L92-0319-05	CHIP FERRITE	
C741			CK73GB0J475K	CHIP C 4.7UF K		L353			L41-4795-33	SMALL FIXED INDUCTOR (4.7U)	
C742-748			CK73HB1A104K	CHIP C 0.10UF K		L355			L41-4795-33	SMALL FIXED INDUCTOR (4.7U)	X1
C751			CK73GB0J475K	CHIP C 4.7UF K		L355,356			L41-4795-33	SMALL FIXED INDUCTOR (4.7U)	KR1E1
C752-758			CK73HB1A104K	CHIP C 0.10UF K		L355,356			L41-4795-33	SMALL FIXED INDUCTOR (4.7U)	E2M1M2
C761,762			CK73GB0J106M	CHIP C 10UF M		L355,356			L41-4795-33	SMALL FIXED INDUCTOR (4.7U)	E3
C763,764			CK73HB1A104K	CHIP C 0.10UF K		L357			L92-0319-05	CHIP FERRITE	
C801-804			CK73GB1A105K	CHIP C 1.0UF K		L361			L92-0319-05	CHIP FERRITE	
C807			CK73HB0J105K	CHIP C 1.0UF K		L451			L41-1005-33	SMALL FIXED INDUCTOR (10U)	
C808,809			CK73HB1A104K	CHIP C 0.10UF K		L601-603			L92-0373-05	CHIP FERRITE	
C811			CK73HB0J105K	CHIP C 1.0UF K		L701-706			L92-0373-05	CHIP FERRITE	
C812-825			CK73HB1A104K	CHIP C 0.10UF K		L731			L92-0373-05	CHIP FERRITE	
C826			CK73HB0J105K	CHIP C 1.0UF K		L741			L92-0373-05	CHIP FERRITE	
C827,828			CK73HB1A104K	CHIP C 0.10UF K		L751			L92-0373-05	CHIP FERRITE	
C829			CK73HB0J105K	CHIP C 1.0UF K		L801			L92-0642-05	CHIP FERRITE	
C830			CK73HB1A104K	CHIP C 0.10UF K		L803			L92-0642-05	CHIP FERRITE	
C833			CK73HB0J105K	CHIP C 1.0UF K		L804,805			L92-0641-05	FERRITE CORE	
C834,835			CC73GC1H080D	CHIP C 8.0PF D		L806			L92-0651-05	CHIP FERRITE	
C836,837			CK73GB0J106M	CHIP C 10UF M		L811			L92-0373-05	CHIP FERRITE	
C840			CK73HB1A104K	CHIP C 0.10UF K		L851			L92-0373-05	CHIP FERRITE	
C841			CE32BF1C221M	CHIP EL 220UF 16WV		X1			L77-2921-05	CRYSTAL RESONATOR (32.768KHZ)	
C842			CK73HB1A104K	CHIP C 0.10UF K		X2		*	L78-1226-05	RESONATOR (11.059MHZ)	
C843			CK73GB0J106M	CHIP C 10UF M		X351		*	L77-2978-05	CRYSTAL RESONATOR (SMD 4.332M)	KR1E1
C844			CK73HB1A104K	CHIP C 0.10UF K		X351		*	L77-2978-05	CRYSTAL RESONATOR (SMD 4.332M)	E2M1M2
C851			CK73GB0J106M	CHIP C 10UF M		X351		*	L77-2978-05	CRYSTAL RESONATOR (SMD 4.332M)	E3
C852			CK73HB1A104K	CHIP C 0.10UF K		X701			L77-2866-05	CRYSTAL RESONATOR (27MHZ)	
C853,854			CC73GC1H030C	CHIP C 3.0PF C		X808			L77-2943-05	CRYSTAL RESONATOR (24.000MHZ)	
C855			CK73HB1A104K	CHIP C 0.10UF K		X851			L77-2921-05	CRYSTAL RESONATOR (32.768KHZ)	
CN2			E41-2735-05	PIN ASSY		V	3D		N86-2605-48	BINDING HEAD TAPTITE SCREW	
CN3			E41-2608-05	FLAT CABLE CONNECTOR		CP701-715			RK74HB1J220J	CHIP-COM 22 J 1/16W	
CN4	*		E41-2963-05	FLAT CABLE CONNECTOR		CP721-724			RK74HB1J330J	CHIP-COM 33 J 1/16W	
CN351	*		E41-2962-05	PIN ASSY		CP751,752			RK74HB1J103J	CHIP-COM 10K J 1/16W	
CN352			E41-2806-05	PIN ASSY		CP753,754			RK74HB1J220J	CHIP-COM 22 J 1/16W	
CN353	*		E41-2961-05	PIN ASSY		R1			RK73HB1J103J	CHIP R 10K J 1/16W	
CN354	*		E41-2960-05	PIN ASSY	E1E2M1	R2			RK73EB2E272J	CHIP R 2.7K J 1/4W	
CN354	*		E41-2960-05	PIN ASSY	M2X1E3	R3			RK73HB1J102J	CHIP R 1.0K J 1/16W	
CN355	*		E41-2958-05	PIN ASSY		R4			RK73HB1J473J	CHIP R 47K J 1/16W	
CN356			E40-9106-05	SOCKET FOR PIN ASSY		R5			RK73EB2E103J	CHIP R 10K J 1/4W	
CN357			E40-9093-05	SOCKET FOR PIN ASSY		R6			RK73EB2E102J	CHIP R 1.0K J 1/4W	
CN551	*		E41-2982-05	FLAT CABLE CONNECTOR		R7			RK73HB1J104J	CHIP R 100K J 1/16W	
CN701			E41-2603-05	FLAT CABLE CONNECTOR		R8			RK73EB2E272J	CHIP R 2.7K J 1/4W	
J1			E58-1043-05	RECTANGULAR RECEPTACLE		R9			RK73HB1J102J	CHIP R 1.0K J 1/16W	
J681			E11-0638-05	PHONE JACK		R10			RK73FB2B472J	CHIP R 4.7K J 1/8W	
W351	*		E30-6775-05	CORD WITH PLUG (FM/AM ANT)		R11			RK73HB1J223J	CHIP R 22K J 1/16W	
W801	*		E30-6778-05	CORD WITH CONNECTOR (USB)		R12,13		*	R92-5226-05	CHIP R 1K J 1/2W	
F1			F53-0306-05	FUSE (UL,CSA) 5A		R14			RK73HB1J000J	CHIP R 0.0 J 1/16W	E1E2E3
F2			F53-0297-05	FUSE (UL,CSA) 1.6A		R15			RK73FB2B472J	CHIP R 4.7K J 1/8W	
L1			L33-2369-05	CHOKE COIL		R16			RK73HB1J222J	CHIP R 2.2K J 1/16W	KR1M1
L2,3			L92-0373-05	CHIP FERRITE		R16			RK73HB1J222J	CHIP R 2.2K J 1/16W	M2X1
L4,5	*		L33-2455-05	CHOKE COIL		R17,18			RK73HB1J103J	CHIP R 10K J 1/16W	KR1M1
L6,7			L33-2369-05	CHOKE COIL		R17,18			RK73HB1J103J	CHIP R 10K J 1/16W	M2X1
L8,9	*		L33-2455-05	CHOKE COIL		R19,20		*	R92-5226-05	CHIP R 1K J 1/2W	KR1M1
L10,11			L33-2369-05	CHOKE COIL		R19,20		*	R92-5226-05	CHIP R 1K J 1/2W	M2X1
						R21			RK73HB1J000J	CHIP R 0.0 J 1/16W	

E1 : KVT-522DVD E2 : KVT-522DVDY E3 : KVT-50DVDRY (Europe)  
K : KVT-512 (North America) R1 : KVT-532DVD (Latin America)  
X1 : KVT-532DVD (Australia) M1 : KVT-532DVD M2 : KVT-532DVDM (Other Areas)

△ Indicates safety critical components.

# PARTS LIST

## VIDEO CONTROL UNIT (X15-110x-xx)

Ref. No.	A d d	N e w	Parts No.	Description	Desti- nation	Ref. No.	A d d	N e w	Parts No.	Description	Desti- nation
R25			RK73HB1J104J	CHIP R 100K J 1/16W		R105,106			RK73GH2A561D	CHIP R 560 D 1/10W	
R26			RK73HB1J473J	CHIP R 47K J 1/16W		R107			RK73HB1J000J	CHIP R 0.0 J 1/16W	
R27			RK73EB2E103J	CHIP R 10K J 1/4W		R108			RK73HB1J220J	CHIP R 22 J 1/16W	
R28,29			RK73EB2E622J	CHIP R 6.2K J 1/4W		R109,110			RK73HB1J000J	CHIP R 0.0 J 1/16W	
R30			RK73GB2A912J	CHIP R 9.1K J 1/10W		R111			RK73HB1J220J	CHIP R 22 J 1/16W	
R31			RK73HB1J153J	CHIP R 15K J 1/16W		R112-116			RK73EB2E100J	CHIP R 10 J 1/4W	
R32			RK73HB1J473J	CHIP R 47K J 1/16W		R117,118			R92-5160-05	CHIP R 0.047 J 1/4W	
R33			RK73GH2A104D	CHIP R 100K D 1/10W		R119			R92-5159-05	CHIP R 0.033 J 1/4W	
R34			RK73GH2A333D	CHIP R 33K D 1/10W		R121			RK73HB1J000J	CHIP R 0.0 J 1/16W	
R35			RK73GH2A513D	CHIP R 51K D 1/10W		R123			RK73HB1J000J	CHIP R 0.0 J 1/16W	
R36			RK73GH2A684D	CHIP R 680K D 1/10W		R124			RK73GH2A681D	CHIP R 680 D 1/10W	
R37,38			RK73GB2A000J	CHIP R 0.0 J 1/10W		R125			RK73GH2A561D	CHIP R 560 D 1/10W	
R39			RK73GH2A683D	CHIP R 68K D 1/10W		R126			RK73GH2A562D	CHIP R 5.6K D 1/10W	
R40			RK73GH2A913D	CHIP R 91K D 1/10W		R127,128			RK73GB2A683J	CHIP R 68K J 1/10W	
R41-45			RK73HB1J224J	CHIP R 220K J 1/16W		R129			RK73GH2A103D	CHIP R 10K D 1/10W	
R46			RK73HB1J304J	CHIP R 300K J 1/16W		R130			RK73HB1J103J	CHIP R 10K J 1/16W	
R47			RK73HB1J303J	CHIP R 30K J 1/16W		R133,134			RK73GH2A333D	CHIP R 33K D 1/10W	
R48			RK73HB1J224J	CHIP R 220K J 1/16W		R135-140			RK73HB1J000J	CHIP R 0.0 J 1/16W	
R49			RK73GB2A202J	CHIP R 2.0K J 1/10W		R141			RK73HB1J220J	CHIP R 22 J 1/16W	
R50			RK73HB1J101J	CHIP R 100 J 1/16W		R142,143			RK73HB1J000J	CHIP R 0.0 J 1/16W	
R51			RK73HB1J224J	CHIP R 220K J 1/16W		R144			RK73HB1J220J	CHIP R 22 J 1/16W	
R52			RK73GB2A154J	CHIP R 150K J 1/10W		R145-149			RK73EB2E100J	CHIP R 10 J 1/4W	
R53			RK73GB2A164J	CHIP R 160K J 1/10W		R150			R92-5158-05	CHIP R 0.022 J 1/4W	
R54			RK73GH2A104D	CHIP R 100K D 1/10W		R153			R92-5158-05	CHIP R 0.022 J 1/4W	
R55			RK73GH2A154D	CHIP R 150K D 1/10W		R154-157			RK73HB1J000J	CHIP R 0.0 J 1/16W	
R56			RK73GH2A433D	CHIP R 43K D 1/10W		R159-168			RK73HB1J101J	CHIP R 100 J 1/16W	
R57			RK73GB2A183J	CHIP R 18K J 1/10W		R170-172			RK73HB1J101J	CHIP R 100 J 1/16W	
R58			RK73HB1J000J	CHIP R 0.0 J 1/16W		R174			RK73GB2A272J	CHIP R 2.7K J 1/10W	
R59			RK73HB1J472J	CHIP R 4.7K J 1/16W		R175,176			RK73HB1J473J	CHIP R 47K J 1/16W	
R60			RK73HB1J561J	CHIP R 560 J 1/16W		R177			RK73GB2A432J	CHIP R 4.3K J 1/10W	
R68			RK73GB2A823J	CHIP R 82K J 1/10W		R178,179			RK73HB1J473J	CHIP R 47K J 1/16W	
R69			RK73HB1J103J	CHIP R 10K J 1/16W		R180			RK73GB2A432J	CHIP R 4.3K J 1/10W	
R70			RK73HB1J224J	CHIP R 220K J 1/16W		R181,182			RK73HB1J473J	CHIP R 47K J 1/16W	
R71			RK73HB1J333J	CHIP R 33K J 1/16W		R183,184			RK73EB2E101J	CHIP R 100 J 1/4W	
R72			RK73HB1J224J	CHIP R 220K J 1/16W		R185			RK73HB1J101J	CHIP R 100 J 1/16W	
R73			RK73FB2B221J	CHIP R 220 J 1/8W		R186			RK73EB2E102J	CHIP R 1.0K J 1/4W	
R74			RK73GH2A273D	CHIP R 27K D 1/10W		R187,188			RK73EB2E101J	CHIP R 100 J 1/4W	
R75			RK73GH2A472D	CHIP R 4.7K D 1/10W		R193			RK73HB1J473J	CHIP R 47K J 1/16W	
R76			RK73GH2A333D	CHIP R 33K D 1/10W		R195			RK73HB1J000J	CHIP R 0.0 J 1/16W	
R77			RK73GH2A393D	CHIP R 39K D 1/10W		R196			RK73HB1J473J	CHIP R 47K J 1/16W	
R78			RK73GH2A332D	CHIP R 3.3K D 1/10W		R198			RK73HB1J000J	CHIP R 0.0 J 1/16W	
R79			RK73HB1J272J	CHIP R 2.7K J 1/16W		R201			RK73HB1J104J	CHIP R 100K J 1/16W	
R80			RK73HB1J104J	CHIP R 100K J 1/16W		R202-205			RK73HB1J103J	CHIP R 10K J 1/16W	K
R81			RK73HB1J473J	CHIP R 47K J 1/16W		R202-206			RK73HB1J103J	CHIP R 10K J 1/16W	R1E1E2
R88			RK73HB1J000J	CHIP R 0.0 J 1/16W		R202-206			RK73HB1J103J	CHIP R 10K J 1/16W	M1M2X1
R89			RK73GH2A681D	CHIP R 680 D 1/10W		R202-206			RK73HB1J103J	CHIP R 10K J 1/16W	E3
R90			RK73GH2A622D	CHIP R 6.2K D 1/10W		R207			RK73GB2A103J	CHIP R 10K J 1/10W	KM1M2
R91			RK73HB1J333J	CHIP R 33K J 1/16W		R207			RK73GB2A303J	CHIP R 30K J 1/10W	X1
R92			RK73GB2A683J	CHIP R 68K J 1/10W		R207			RK73GB2A332J	CHIP R 3.3K J 1/10W	E1E2E3
R93			RK73GH2A562D	CHIP R 5.6K D 1/10W		R208			RK73HB1J473J	CHIP R 47K J 1/16W	
R94			RK73HB1J103J	CHIP R 10K J 1/16W		R210,211			RK73HB1J123J	CHIP R 12K J 1/16W	
R95			RK73GH2A113D	CHIP R 11K D 1/10W		R212			RK73HB1J473J	CHIP R 47K J 1/16W	
R98,99			RK73GH2A333D	CHIP R 33K D 1/10W		R213-215			RK73HB1J101J	CHIP R 100 J 1/16W	
R100,101			RK73GH2A561D	CHIP R 560 D 1/10W		R216			RK73HB1J103J	CHIP R 10K J 1/16W	
R102-104			RK73HB1J000J	CHIP R 0.0 J 1/16W		R217-220			RK73HB1J101J	CHIP R 100 J 1/16W	

E1 : KVT-522DVD E2 : KVT-522DVDY E3 : KVT-50DVDRY (Europe)

K : KVT-512 (North America) R1 : KVT-532DVD (Latin America)

X1 : KVT-532DVD (Australia) M1 : KVT-532DVD M2 : KVT-532DVDM (Other Areas)

△ Indicates safety critical components.

# PARTS LIST

## VIDEO CONTROL UNIT (X15-110x-xx)

Ref. No.	Add	New	Parts No.	Description	Destination	Ref. No.	Add	New	Parts No.	Description	Destination
R221,222			RK73HB1J473J	CHIP R 47K J 1/16W		R370			RK73HB1J473J	CHIP R 47K J 1/16W	
R223			RK73HB1J104J	CHIP R 100K J 1/16W		R372			RK73HB1J223J	CHIP R 22K J 1/16W	
R224			RK73HB1J103J	CHIP R 10K J 1/16W		R374			RK73FB2B101J	CHIP R 100 J 1/8W	
R225			RK73HB1J473J	CHIP R 47K J 1/16W		R375			RK73HB1J471J	CHIP R 470 J 1/16W	
R227			RK73HB1J473J	CHIP R 47K J 1/16W		R376			RK73FB2B101J	CHIP R 100 J 1/8W	
R228,229			RK73HB1J222J	CHIP R 2.2K J 1/16W		R377			RK73HB1J471J	CHIP R 470 J 1/16W	
R230,231			RK73HB1J101J	CHIP R 100 J 1/16W		R378			RK73HB1J223J	CHIP R 22K J 1/16W	
R232			RK73HB1J102J	CHIP R 1.0K J 1/16W		R381			RK73HB1J223J	CHIP R 22K J 1/16W	
R233			RK73HB1J223J	CHIP R 22K J 1/16W		R383			RK73FB2B101J	CHIP R 100 J 1/8W	
R234			RK73HB1J102J	CHIP R 1.0K J 1/16W		R384			RK73HB1J471J	CHIP R 470 J 1/16W	
R235-242			RK73HB1J101J	CHIP R 100 J 1/16W		R385			RK73HB1J102J	CHIP R 1.0K J 1/16W	
R243,244			RK73HB1J471J	CHIP R 470 J 1/16W		R386			RK73EB2E100J	CHIP R 10 J 1/4W	
R245-248			RK73HB1J103J	CHIP R 10K J 1/16W		R390			RK73EB2E4R7J	CHIP R 4.7 J 1/4W	
R249-253			RK73HB1J473J	CHIP R 47K J 1/16W		R394			RK73EB2E100J	CHIP R 10 J 1/4W	
R254-256			RK73HB1J101J	CHIP R 100 J 1/16W		R400			RK73EB2E101J	CHIP R 100 J 1/4W	
R257			RK73HB1J473J	CHIP R 47K J 1/16W		R401			RK73HB1J100J	CHIP R 10 J 1/16W	
R258			RK73HB1J101J	CHIP R 100 J 1/16W	KR1	R402			RK73HB1J750J	CHIP R 75 J 1/16W	
R258-261			RK73HB1J101J	CHIP R 100 J 1/16W	E1E2M1	R403			RK73EB2E750J	CHIP R 75 J 1/4W	
R258-261			RK73HB1J101J	CHIP R 100 J 1/16W	M2X1E3	R404			RK73EB2E100J	CHIP R 10 J 1/4W	
R260,261			RK73HB1J101J	CHIP R 100 J 1/16W	KR1	R405			RK73EB2E4R7J	CHIP R 4.7 J 1/4W	
R262			RK73HB1J000J	CHIP R 0.0 J 1/16W		R406			RK73EB2E100J	CHIP R 10 J 1/4W	
R263			RK73HB1J153J	CHIP R 15K J 1/16W		R407			RK73EB2E101J	CHIP R 100 J 1/4W	
R264			RK73HB1J473J	CHIP R 47K J 1/16W		R408			RK73HB1J100J	CHIP R 10 J 1/16W	
R265			RK73HB1J101J	CHIP R 100 J 1/16W		R409			RK73HB1J560J	CHIP R 56 J 1/16W	
R266			RK73HB1J472J	CHIP R 4.7K J 1/16W		R410			RK73EB2E101J	CHIP R 100 J 1/4W	
R267,268			RK73HB1J101J	CHIP R 100 J 1/16W		R411			RK73HB1J102J	CHIP R 1.0K J 1/16W	
R269			RK73HB1J473J	CHIP R 47K J 1/16W		R412			RK73HB1J223J	CHIP R 22K J 1/16W	
R270,271			RK73HB1J472J	CHIP R 4.7K J 1/16W		R413			RK73HB1J222J	CHIP R 2.2K J 1/16W	KR1E1
R272-276			RK73HB1J473J	CHIP R 47K J 1/16W		R413			RK73HB1J222J	CHIP R 2.2K J 1/16W	E2M1M2
R277			RK73HB1J104J	CHIP R 100K J 1/16W		R413			RK73HB1J222J	CHIP R 2.2K J 1/16W	E3
R278-280			RK73HB1J473J	CHIP R 47K J 1/16W		R416,417			RK73HB1J222J	CHIP R 2.2K J 1/16W	KR1E1
R281			RK73HB1J000J	CHIP R 0.0 J 1/16W		R416,417			RK73HB1J222J	CHIP R 2.2K J 1/16W	E2M1M2
R282			RK73HB1J102J	CHIP R 1.0K J 1/16W		R416,417			RK73HB1J222J	CHIP R 2.2K J 1/16W	E3
R283			RK73HB1J152J	CHIP R 1.5K J 1/16W		R418			RK73EB2E100J	CHIP R 10 J 1/4W	
R284			RK73HB1J104J	CHIP R 100K J 1/16W		R419			RK73EB2E4R7J	CHIP R 4.7 J 1/4W	
R286			RK73HB1J103J	CHIP R 10K J 1/16W		R420			RK73EB2E100J	CHIP R 10 J 1/4W	
R288			RK73HB1J103J	CHIP R 10K J 1/16W		R421			RK73EB2E101J	CHIP R 100 J 1/4W	
R351			RK73HB1J333J	CHIP R 33K J 1/16W		R422			RK73EB2E102J	CHIP R 1.0K J 1/4W	
R352			RK73HB1J100J	CHIP R 10 J 1/16W		R423			RK73EB2E101J	CHIP R 100 J 1/4W	
R353			RK73GB2A432J	CHIP R 4.3K J 1/10W		R424			RK73EB2E472J	CHIP R 4.7K J 1/4W	
R354			RK73HB1J471J	CHIP R 470 J 1/16W		R425-427			RK73HB1J101J	CHIP R 100 J 1/16W	
R355			RK73HB1J223J	CHIP R 22K J 1/16W		R428			RK73HB1J750J	CHIP R 75 J 1/16W	E1E2M1
R356			RK73GB2A221J	CHIP R 220 J 1/10W		R428			RK73HB1J750J	CHIP R 75 J 1/16W	M2X1E3
R357			RK73GB2A123J	CHIP R 12K J 1/10W		R438			RK73HB1J100J	CHIP R 10 J 1/16W	E1E2M1
R358			RK73FB2B101J	CHIP R 100 J 1/8W		R438			RK73HB1J100J	CHIP R 10 J 1/16W	M2X1E3
R359			RK73HB1J471J	CHIP R 470 J 1/16W		R439			RK73EB2E101J	CHIP R 100 J 1/4W	E1E2M1
R360			RK73HB1J223J	CHIP R 22K J 1/16W		R439			RK73EB2E101J	CHIP R 100 J 1/4W	M2X1E3
R361			RK73HB1J471J	CHIP R 470 J 1/16W		R440,441			RK73EB2E102J	CHIP R 1.0K J 1/4W	E1E2M1
R363			RK73HB1J223J	CHIP R 22K J 1/16W		R440,441			RK73EB2E102J	CHIP R 1.0K J 1/4W	M2X1E3
R364			RK73HB1J473J	CHIP R 47K J 1/16W		R442-444			RK73EB2E101J	CHIP R 100 J 1/4W	E1E2M1
R365			RK73FB2B101J	CHIP R 100 J 1/8W		R442-444			RK73EB2E101J	CHIP R 100 J 1/4W	M2X1E3
R366			RK73HB1J471J	CHIP R 470 J 1/16W		R445			RK73EB2E000J	CHIP R 0.0 J 1/4W	E1E2M1
R367			RK73FB2B101J	CHIP R 100 J 1/8W		R445			RK73EB2E000J	CHIP R 0.0 J 1/4W	M2X1E3
R368			RK73HB1J471J	CHIP R 470 J 1/16W		R446			RK73EB2E102J	CHIP R 1.0K J 1/4W	E1E2M1
R369			RK73HB1J223J	CHIP R 22K J 1/16W		R446			RK73EB2E102J	CHIP R 1.0K J 1/4W	M2X1E3

E1 : KVT-522DVD E2 : KVT-522DVDY E3 : KVT-50DVDRY (Europe)  
K : KVT-512 (North America) R1 : KVT-532DVD (Latin America)  
X1 : KVT-532DVD (Australia) M1 : KVT-532DVD M2 : KVT-532DVDM (Other Areas)

△ Indicates safety critical components.

# PARTS LIST

## VIDEO CONTROL UNIT (X15-110x-xx)

Ref. No.	A d d	N e w	Parts No.	Description	Desti- nation	Ref. No.	A d d	N e w	Parts No.	Description	Desti- nation
R447			RK73HB1J100J	CHIP R 10 J 1/16W	E1E2M1	R568			RK73GB2A221J	CHIP R 220 J 1/10W	
R447			RK73HB1J100J	CHIP R 10 J 1/16W	M2X1E3	R569			RK73GB2A561J	CHIP R 560 J 1/10W	
R448			RK73EB2E102J	CHIP R 1.0K J 1/4W	E1E2M1	R570			RK73GB2A221J	CHIP R 220 J 1/10W	
R448			RK73EB2E102J	CHIP R 1.0K J 1/4W	M2X1E3	R571			RK73GB2A561J	CHIP R 560 J 1/10W	
R449			RK73EB2E100J	CHIP R 10 J 1/4W	E1E2M1	R572			RK73GB2A221J	CHIP R 220 J 1/10W	
R449			RK73EB2E100J	CHIP R 10 J 1/4W	M2X1E3	R573			RK73GB2A561J	CHIP R 560 J 1/10W	
R450			RK73EB2E4R7J	CHIP R 4.7 J 1/4W	E1E2M1	R574			RK73GB2A221J	CHIP R 220 J 1/10W	
R450			RK73EB2E4R7J	CHIP R 4.7 J 1/4W	M2X1E3	R575			RK73GB2A561J	CHIP R 560 J 1/10W	
R451,452			RK73EB2E100J	CHIP R 10 J 1/4W	E1E2M1	R576			RK73GB2A221J	CHIP R 220 J 1/10W	
R451,452			RK73EB2E100J	CHIP R 10 J 1/4W	M2X1E3	R577			RK73GB2A561J	CHIP R 560 J 1/10W	
R452			RK73EB2E100J	CHIP R 10 J 1/4W	KR1	R578			RK73GB2A221J	CHIP R 220 J 1/10W	
R453			RK73EB2E4R7J	CHIP R 4.7 J 1/4W		R579			RK73GB2A220J	CHIP R 22 J 1/10W	
R454			RK73EB2E100J	CHIP R 10 J 1/4W		R580			RK73GB2A181J	CHIP R 180 J 1/10W	
R455			RK73HB1J100J	CHIP R 10 J 1/16W		R581			RK73GB2A391J	CHIP R 390 J 1/10W	
R456			RK73EB2E101J	CHIP R 100 J 1/4W		R582-586			RK73EB2E000J	CHIP R 0.0 J 1/4W	
R457			RK73HB1J100J	CHIP R 10 J 1/16W		R587			RK73GB2A182J	CHIP R 1.8K J 1/10W	
R458			RK73EB2E101J	CHIP R 100 J 1/4W		R588			RK73GB2A222J	CHIP R 2.2K J 1/10W	
R459			RK73HB1J100J	CHIP R 10 J 1/16W		R589			RK73GB2A512J	CHIP R 5.1K J 1/10W	
R460			RK73EB2E101J	CHIP R 100 J 1/4W		R590			RK73GB2A163J	CHIP R 16K J 1/10W	
R461			RK73HB1J100J	CHIP R 10 J 1/16W		R591			RK73GB2A513J	CHIP R 51K J 1/10W	
R462			RK73EB2E101J	CHIP R 100 J 1/4W		R612			RK73GH2A750D	CHIP R 75 D 1/10W	
R463-466			RK73HB1J750J	CHIP R 75 J 1/16W		R613			RK73GH2A301D	CHIP R 300 D 1/10W	
R467-469			RK73EB2E102J	CHIP R 1.0K J 1/4W		R614			RK73GH2A330D	CHIP R 33 D 1/10W	
R470			RK73HB1J104J	CHIP R 100K J 1/16W		R620-625			RK73GH2A750D	CHIP R 75 D 1/10W	
R471			RK73HB1J102J	CHIP R 1.0K J 1/16W		R626			RK73GH2A360D	CHIP R 36 D 1/10W	
R472-475			RK73HB1J103J	CHIP R 10K J 1/16W		R627			RK73GH2A151D	CHIP R 150 D 1/10W	
R476			RK73HB1J101J	CHIP R 100 J 1/16W		R651-654			RK73HB1J220J	CHIP R 22 J 1/16W	
R477			RK73HB1J103J	CHIP R 10K J 1/16W		R661,662			RK73HB1J203J	CHIP R 20K J 1/16W	
R478			RK73HB1J101J	CHIP R 100 J 1/16W		R663,664			RK73HB1J102J	CHIP R 1.0K J 1/16W	
R479			RK73GB2A472J	CHIP R 4.7K J 1/10W		R665,666			RK73HB1J153J	CHIP R 15K J 1/16W	
R480			RK73HB1J272J	CHIP R 2.7K J 1/16W		R667,668			RK73HB1J561J	CHIP R 560 J 1/16W	
R481,482			RK73HB1J122J	CHIP R 1.2K J 1/16W		R669,670			RK73HB1J473J	CHIP R 47K J 1/16W	
R483			RK73GB2A103J	CHIP R 10K J 1/10W		R673,674			RK73HB1J272J	CHIP R 2.7K J 1/16W	
R486,487			RK73HB1J102J	CHIP R 1.0K J 1/16W		R676			RK73HB1J104J	CHIP R 100K J 1/16W	
R488,489			RK73HB1J100J	CHIP R 10 J 1/16W		R677			RK73HB1J394J	CHIP R 390K J 1/16W	
R492			RK73HB1J332J	CHIP R 3.3K J 1/16W		R681			RK73HB1J103J	CHIP R 10K J 1/16W	
R493,494			RK73GH2A271D	CHIP R 270 D 1/10W		R683			RK73HB1J220J	CHIP R 22 J 1/16W	
R495			RK73GH2A123D	CHIP R 12K D 1/10W		R684,685			RK73HB1J331J	CHIP R 330 J 1/16W	
R501-503			RK73HB1J000J	CHIP R 0.0 J 1/16W		R686			RK73HB1J220J	CHIP R 22 J 1/16W	
R510,511			RK73GH2A102D	CHIP R 1.0K D 1/10W		R687			RK73HB1J103J	CHIP R 10K J 1/16W	
R512,513			RK73HB1J101J	CHIP R 100 J 1/16W		R688			RK73HB1J220J	CHIP R 22 J 1/16W	
R515			RK73HB1J101J	CHIP R 100 J 1/16W		R690			RK73HB1J000J	CHIP R 0.0 J 1/16W	
R516-519			RK73GH2A102D	CHIP R 1.0K D 1/10W		R691			RK73HB1J100J	CHIP R 10 J 1/16W	
R543-548			RK73HB1J105J	CHIP R 1.0M J 1/16W		R692			RK73GB2A151J	CHIP R 150 J 1/10W	
R551			RK73GB2A101J	CHIP R 100 J 1/10W		R693			RK73EB2E750J	CHIP R 75 J 1/4W	
R554			RK73GB2A332J	CHIP R 3.3K J 1/10W		R694,695			RK73HB1J000J	CHIP R 0.0 J 1/16W	
R556			RK73GB2A822J	CHIP R 8.2K J 1/10W		R696			RK73HB1J220J	CHIP R 22 J 1/16W	
R559			RK73EB2E101J	CHIP R 100 J 1/4W		R697,698			RK73GB2A151J	CHIP R 150 J 1/10W	
R561			RK73GB2A561J	CHIP R 560 J 1/10W		R699			RK73HB1J000J	CHIP R 0.0 J 1/16W	
R562			RK73GB2A221J	CHIP R 220 J 1/10W		R702			RK73HB1J000J	CHIP R 0.0 J 1/16W	
R563			RK73GB2A561J	CHIP R 560 J 1/10W		R703			RK73HB1J102J	CHIP R 1.0K J 1/16W	
R564			RK73GB2A221J	CHIP R 220 J 1/10W		R704			RK73HB1J101J	CHIP R 100 J 1/16W	
R565			RK73GB2A561J	CHIP R 560 J 1/10W		R706-708			RK73HB1J000J	CHIP R 0.0 J 1/16W	
R566			RK73GB2A221J	CHIP R 220 J 1/10W		R709-714			RK73HB1J220J	CHIP R 22 J 1/16W	
R567			RK73GB2A561J	CHIP R 560 J 1/10W		R715-730			RK73HB1J000J	CHIP R 0.0 J 1/16W	

E1 : KVT-522DVD E2 : KVT-522DVDY E3 : KVT-50DVIDRY (Europe)

K : KVT-512 (North America) R1 : KVT-532DVD (Latin America)

X1 : KVT-532DVD (Australia) M1 : KVT-532DVD M2 : KVT-532DVDM (Other Areas)

△ Indicates safety critical components.

# PARTS LIST

## VIDEO CONTROL UNIT (X15-110x-xx)

Ref. No.	Add	New	Parts No.	Description	Destination	Ref. No.	Add	New	Parts No.	Description	Destination
R732-738			RK73HB1J220J	CHIP R 22 J 1/16W		D3			UDZW6.2(B)	ZENER DIODE	
R739,740			RK73HB1J000J	CHIP R 0.0 J 1/16W		D4,5			1SS355	DIODE	
R742-747			RK73HB1J000J	CHIP R 0.0 J 1/16W		D6-9			1SR154-400	DIODE	
R748-753			RK73HB1J220J	CHIP R 22 J 1/16W		D11			UDZW4.7(B)	ZENER DIODE	
R754-756			RK73HB1J000J	CHIP R 0.0 J 1/16W		D12			1SS355	DIODE	
R758			RK73HB1J105J	CHIP R 1.0M J 1/16W		D13			UDZW6.2(B)	ZENER DIODE	
R759			RK73HB1J102J	CHIP R 1.0K J 1/16W		D14			EP05Q04	DIODE	
R760-762			RK73HB1J000J	CHIP R 0.0 J 1/16W		D15-18			1SS357-F	DIODE	
R763,764			RK73HB1J220J	CHIP R 22 J 1/16W		D19-23			CVS10A120M	VARIATOR	
R765			RK73HB1J000J	CHIP R 0.0 J 1/16W		D24,25			CVS10A180M	VARIATOR	
R769			RK73GH2A153D	CHIP R 15K D 1/10W		D27-31			CVS10A120M	VARIATOR	
R770			RK73GH2A123D	CHIP R 12K D 1/10W		D32			DA204U	DIODE	
R772,773			RK73HB1J103J	CHIP R 10K J 1/16W		D33-36			CVS10A120M	VARIATOR	
R776			RK73HB1J103J	CHIP R 10K J 1/16W		D37			CVS10A180M	VARIATOR	
R777			RK73HB1J102J	CHIP R 1.0K J 1/16W		D39			CVS10A180M	VARIATOR	
R805,806			RK73EB2E4R7J	CHIP R 4.7 J 1/4W		D40,41			CVS10A120M	VARIATOR	
R810,811			RK73HB1J000J	CHIP R 0.0 J 1/16W		D42			1SS355	DIODE	
R812			RK73HB1J103J	CHIP R 10K J 1/16W		D351			DAP202U	DIODE	
R814			RK73HB1J103J	CHIP R 10K J 1/16W		D352			1SS355	DIODE	
R815			RK73GH2A622D	CHIP R 6.2K D 1/10W		D353,354			CVS10A180M	VARIATOR	
R816,817			RK73HB1J220J	CHIP R 22 J 1/16W		D355,356			DAP202U	DIODE	
R820			RK73HB1J000J	CHIP R 0.0 J 1/16W		D357,358			CVS10A180M	VARIATOR	
R823			RK73HB1J103J	CHIP R 10K J 1/16W		D359,360			DAP202U	DIODE	
R825			RK73HB1J102J	CHIP R 1.0K J 1/16W		D361,362			CVS10A180M	VARIATOR	
R826			RK73HB1J103J	CHIP R 10K J 1/16W		D363,364			DAP202U	DIODE	
R831			RK73HB1J000J	CHIP R 0.0 J 1/16W		D365			UDZW6.8(B)	ZENER DIODE	
R832			RK73GB2A515J	CHIP R 5.1M J 1/10W		D366			UDZW6.2(B)	ZENER DIODE	
R833-836			RK73HB1J103J	CHIP R 10K J 1/16W		D367			UDZW6.8(B)	ZENER DIODE	
R837			RK73HB1J000J	CHIP R 0.0 J 1/16W		D368			DAP202U	DIODE	
R838			RK73HB1J220J	CHIP R 22 J 1/16W		D369-376			CVL10C270M300	VARIATOR	
R840,841			RK73HB1J103J	CHIP R 10K J 1/16W		D378			UDZW6.8(B)	ZENER DIODE	
R843			RK73HB1J000J	CHIP R 0.0 J 1/16W		D379			UDZW6.2(B)	ZENER DIODE	
R844			RK73HB1J103J	CHIP R 10K J 1/16W		D380,381			CVS10A120M	VARIATOR	
R845			RK73GH2A104D	CHIP R 100K D 1/10W		D382,383			UDZS6.2B	ZENER DIODE	
R846			RK73HB1J102J	CHIP R 1.0K J 1/16W		D384			CVL10C270M300	VARIATOR	E1E2M1
R847			RK73HB1J103J	CHIP R 10K J 1/16W		D384			CVL10C270M300	VARIATOR	M2X1E3
R848			RK73HB1J104J	CHIP R 100K J 1/16W		D388			UDZW6.2(B)	ZENER DIODE	E1E2M1
R851			RK73HB1J473J	CHIP R 47K J 1/16W		D388			UDZW6.2(B)	ZENER DIODE	M2X1E3
R852			RK73HB1J000J	CHIP R 0.0 J 1/16W		D389-392			CVS10A120M	VARIATOR	E1E2M1
R854-856			RK73HB1J103J	CHIP R 10K J 1/16W		D389-392			CVS10A120M	VARIATOR	M2X1E3
R857,858			RK73HB1J152J	CHIP R 1.5K J 1/16W		D393			UDZW6.8(B)	ZENER DIODE	E1E2M1
R859-861			RK73HB1J472J	CHIP R 4.7K J 1/16W		D393			UDZW6.8(B)	ZENER DIODE	M2X1E3
R863-880			RK73HB1J103J	CHIP R 10K J 1/16W		D394,395			UDZW6.2(B)	ZENER DIODE	E1E2M1
R881			RK73GB2A202J	CHIP R 2.0K J 1/10W		D394,395			UDZW6.2(B)	ZENER DIODE	M2X1E3
R883			RK73HB1J103J	CHIP R 10K J 1/16W		D396			UDZW6.8(B)	ZENER DIODE	
R884,885			RK73HB1J000J	CHIP R 0.0 J 1/16W		D397-400			CVL10C270M300	VARIATOR	
R886,887			RK73HB1J473J	CHIP R 47K J 1/16W		D401			UDZW6.8(B)	ZENER DIODE	
R900			RK73HB1J220J	CHIP R 22 J 1/16W		D402,403			UDZW6.2(B)	ZENER DIODE	
R915			RK73HB1J000J	CHIP R 0.0 J 1/16W		D404,405			1SS355	DIODE	
R919			RK73HB1J000J	CHIP R 0.0 J 1/16W		D406-408			DAP202U	DIODE	
R920			RK73HB1J103J	CHIP R 10K J 1/16W		D409			UDZW6.8(B)	ZENER DIODE	KR1
S551-560			S70-0901-05	TACT SWITCH		D409,410			UDZW6.8(B)	ZENER DIODE	E1E2M1
						D409,410			UDZW6.8(B)	ZENER DIODE	M2X1E3
						D411-414			UDZW6.2(B)	ZENER DIODE	E1E2M1
						D411-414			UDZW6.2(B)	ZENER DIODE	M2X1E3
D1,2			1SS355	DIODE							

E1 : KVT-522DVD E2 : KVT-522DVDY E3 : KVT-50DVDRY (Europe)  
K : KVT-512 (North America) R1 : KVT-532DVD (Latin America)  
X1 : KVT-532DVD (Australia) M1 : KVT-532DVD M2 : KVT-532DVDM (Other Areas)

△ Indicates safety critical components.

# PARTS LIST

## VIDEO CONTROL UNIT (X15-110x-xx)

Ref. No.	A d d	N e w	Parts No.	Description	Desti- nation	Ref. No.	A d d	N e w	Parts No.	Description	Desti- nation
D413,414 D415 D571-591 D592 D651			UDZW6.2(B) 1SS355 CVS10A180M CVL10C270M300 DAP202U	ZENER DIODE DIODE VARISTOR VARISTOR DIODE	KR1	Q6 Q7 Q8 Q8 Q9		DTA114EE DTC143ZE 2SB1188(R) 2SB1188(R) 2SC4617	DIGITAL TRANSISTOR DIGITAL TRANSISTOR TRANSISTOR TRANSISTOR TRANSISTOR	KR1M1 M2X1 KR1M1	
D681 D682 D701 D801,802 IC1			CVL10C270M300 DA204U DAP202U AVRL1613R3FTA XC6201P502PR	VARISTOR DIODE DIODE VARISTOR ANALOGUE IC		Q9 Q11-13 Q14 Q15 Q16		2SC4617 2SC4617 2SA1774 DTC143ZE 2SA1774	TRANSISTOR TRANSISTOR TRANSISTOR DIGITAL TRANSISTOR TRANSISTOR	M2X1	
IC2 IC3,4 IC5,6 IC7 IC8			M5237ML-CF0J LTC3728LEGN LB1836M-TLM-E R1114N331B-TR 74AHC1G08GW	ANALOGUE IC ANALOGUE IC ANALOGUE IC ANALOGUE IC (3.3V LF) MOS-IC		Q17 Q18 Q19 Q20 Q21,22		2SC4617 DTA114TUA DTA114EE DTC143ZE 2SC4617	TRANSISTOR DIGITAL TRANSISTOR DIGITAL TRANSISTOR DIGITAL TRANSISTOR TRANSISTOR		
IC9 IC10 IC10 IC10 IC10 IC10 IC12 IC13 IC351 IC354 IC355		*	30878MJB A22GP W05-1387-00 W05-1388-00 W05-1388-00 W05-1389-00 W05-1390-00 S-80835C NNB-G 74AHC1G32GW E-TDA7850A NJM2505AF-ZB E-TDA7478AD	MICROCONTROLLER IC ROM IC ROM IC ROM IC ROM IC ROM IC MOS-IC MOS-IC ANALOGUE IC ANALOGUE IC ANALOGUE IC	K E1E2E3 M2 M1 R1X1	Q23 Q24 Q25 Q26 Q27		2SB1184 2SC4617 2SA1774 2SC4617 2SA1576A	TRANSISTOR TRANSISTOR TRANSISTOR TRANSISTOR TRANSISTOR		
IC355 IC355 IC356 IC357 IC358		*	E-TDA7478AD E-TDA7478AD 74AHCT08PW E-TDA7415CB AK4220	ANALOGUE IC ANALOGUE IC MOS-IC ANALOGUE IC ANALOGUE IC	KR1E1 E2M1M2 E3	Q28 Q29 Q30 Q35 Q36,37		2SC4617 DTC143ZE 2SB1689 DTC114YE 2SA1774	TRANSISTOR DIGITAL TRANSISTOR TRANSISTOR DIGITAL TRANSISTOR TRANSISTOR		
IC361 IC401,402 IC401,402 IC551 IC601			NJM2286V-ZB 74AHC1GU04GW 74AHC1GU04GW PNA4S22M02KW MM1671XNRE	ANALOGUE IC MOS-IC MOS-IC ANALOGUE IC ANALOGUE IC	E1E2M1 M2X1E3	Q38 Q39 Q40 Q41 Q42		TPC8110-F KTA1046-P 2SA1576A 2SC4081 2SA1576A	FET TRANSISTOR TRANSISTOR TRANSISTOR TRANSISTOR		
IC602 IC651 IC652 IC691 IC692			NJM2573V-ZB PCM1754DB NJM4565V-ZB 74AHC1G04GW 74AHC1G08GW	ANALOGUE IC MOS-IC ANALOGUE IC MOS-IC MOS-IC		Q43 Q44 Q45 Q46 Q51		2SC4081 2SA1576A DTC143ZE TPC8110-F DTC124XUA	TRANSISTOR TRANSISTOR DIGITAL TRANSISTOR FET DIGITAL TRANSISTOR		
IC701 IC702 IC703,704 IC705 IC801		*	MS8312A-IQG S29GL64A914Z4 A2V28S40CTPG6 SI-3010KD S1R72C05F15	MICROPROCESSOR IC ROM IC DRAM IC ANALOGUE IC MOS-IC		Q52 Q53 Q54,55 Q56,57 Q58,59		DTC143ZE DTC124XUA HAT2218R-E DTC124XUA HAT2218R-E	DIGITAL TRANSISTOR DIGITAL TRANSISTOR DUAL FET DIGITAL TRANSISTOR DUAL FET		
IC804 IC805 IC806 IC807 IC851		*	MIC2005-08YM6 XC6219B332PR XC6219B182PR 74AHC573PW 341S2094	MOS-IC ANALOGUE IC ANALOGUE IC MOS-IC MICROPROCESSOR IC		Q60 Q61 Q62 Q63 Q64		2SA1576A 2SC4617 2SA1576A 2SC4617 2SA1576A	TRANSISTOR TRANSISTOR TRANSISTOR TRANSISTOR TRANSISTOR		
Q1 Q2 Q3 Q4 Q5			DTC124EE DTA143ZE DTC124EE 2SB1188(R) 2SA1774	DIGITAL TRANSISTOR DIGITAL TRANSISTOR DIGITAL TRANSISTOR TRANSISTOR TRANSISTOR		Q65 Q66 Q67 Q68 Q69		2SC4617 DTB123YK DTC143EE DTB123YK DTC143EE	TRANSISTOR DIGITAL TRANSISTOR DIGITAL TRANSISTOR DIGITAL TRANSISTOR DIGITAL TRANSISTOR		
Q6 Q7 Q8 Q8 Q9			DTA114EE DTC143ZE 2SB1188(R) 2SB1188(R) 2SC4617	DIGITAL TRANSISTOR DIGITAL TRANSISTOR TRANSISTOR TRANSISTOR TRANSISTOR		Q71 Q72 Q73,74 Q75 Q76		DTA124EE DTC124EE DTC144EE DTA114EUA 2SK3019	DIGITAL TRANSISTOR DIGITAL TRANSISTOR DIGITAL TRANSISTOR DIGITAL TRANSISTOR FET		

E1 : KVT-522DVD E2 : KVT-522DVDY E3 : KVT-50DVIDRY (Europe)

K : KVT-512 (North America) R1 : KVT-532DVD (Latin America)

X1 : KVT-532DVD (Australia) M1 : KVT-532DVD M2 : KVT-532DVDM (Other Areas)

△ Indicates safety critical components.

# PARTS LIST

## VIDEO CONTROL UNIT (X15-110x-xx)

Ref. No.	Add	New	Parts No.	Description	Destination	Ref. No.	Add	New	Parts No.	Description	Destination
Q77			DTA124XUA	DIGITAL TRANSISTOR		C25		*	C93-1460-05	CHIP C 2200PF	F
Q78,79			2SK3019	FET		C28			C93-1283-05	CHIP C 1.0UF	K
Q80			DTA114EE	DIGITAL TRANSISTOR		C100			CC73GCH1H151J	CHIP C 150PF	J
Q82			DTA124EE	DIGITAL TRANSISTOR		C101			CK73GB1C104K	CHIP C 0.10UF	K
Q350			2SC4081	TRANSISTOR		C102			CK73FB0J106K	CHIP C 10UF	K
Q351			DTC143TUA	DIGITAL TRANSISTOR		C103			CK73GB1H103K	CHIP C 0.010UF	K
Q352			DTA144EE	DIGITAL TRANSISTOR		C104		*	CK73FB1C106K	CHIP C 10UF	K
Q353,354			DTC143TUA	DIGITAL TRANSISTOR		C105			CK73GB1C104K	CHIP C 0.10UF	K
Q355			DTA144EE	DIGITAL TRANSISTOR		C106			CK73EB1A106K	CHIP C 10UF	K
Q356,357			DTC143TUA	DIGITAL TRANSISTOR		C107			CK73EB1C106K	CHIP C 10UF	K
Q358			DTA144EE	DIGITAL TRANSISTOR		C108			CK73GB1C104K	CHIP C 0.10UF	K
Q359			DTC124EE	DIGITAL TRANSISTOR		C109			CK73FB1C105K	CHIP C 1.0UF	K
Q360			DTC143TUA	DIGITAL TRANSISTOR		C110			CK73GB1H103K	CHIP C 0.010UF	K
Q361			2SA1577	TRANSISTOR		C112			CK73FB1E154K	CHIP C 0.15UF	K
Q362			DTC124EE	DIGITAL TRANSISTOR		C113			CK73EB1E225K	CHIP C 2.2UF	K
Q370			2SC4081	TRANSISTOR		C114			CK73GB1C224K	CHIP C 0.22UF	K
Q371			DTA144EE	DIGITAL TRANSISTOR		C115			CK73GB1C104K	CHIP C 0.10UF	K
Q372,373			DTC143TUA	DIGITAL TRANSISTOR		C116			CK73EB0J226K	CHIP C 22UF	K
Q451			2SA1576A	TRANSISTOR	E1E2M1	C117			CK73HB1H102K	CHIP C 1000PF	K
Q452			DTC144EE	DIGITAL TRANSISTOR		C118			CK73GB1H103K	CHIP C 0.010UF	K
Q452			DTC144EE	DIGITAL TRANSISTOR	M2X1E3	C119			CK73HB1E103K	CHIP C 0.010UF	K
Q453			2SA1774	TRANSISTOR		C120			CK73GB1C104K	CHIP C 0.10UF	K
Q454,455			DTC144EE	DIGITAL TRANSISTOR		C121			CK73HB1E103K	CHIP C 0.010UF	K
Q651,652			DTC143TUA	DIGITAL TRANSISTOR		C122			CK73HB1A104K	CHIP C 0.10UF	K
Q653			DTA114EUA	DIGITAL TRANSISTOR		C129			CK73EB1C106K	CHIP C 10UF	K
Q654			2SA1774	TRANSISTOR		C130			CK73GB1H103K	CHIP C 0.010UF	K
Q655			2SC4617	TRANSISTOR		C131			CK73EB1E106K	CHIP C 10UF	K
Q681			2SA1576A	TRANSISTOR		C132			CK73GB1H104K	CHIP C 0.10UF	K
Q683			DTC143ZE	DIGITAL TRANSISTOR		C133			CK73GB1H103K	CHIP C 0.010UF	K
TH351			PRF18BE471QS2	POSITIVE RESISTOR		C134			CK73FB0J106K	CHIP C 10UF	K
A1		*	X86-4030-16	FRONT-END UNIT	KR1X1	C135			CK73GB1H103K	CHIP C 0.010UF	K
A1		*	X86-4032-72	FRONT-END UNIT	E1E2M1	C140			CC73GCH1H151J	CHIP C 150PF	J
A1		*	X86-4032-72	FRONT-END UNIT	M2E3	C145			CK73EB1C106K	CHIP C 10UF	K
<b>VIDEO UNIT (X35-4960-10)</b>						C150,151		*	CK73FB1C106K	CHIP C 10UF	K
D451-453			B30-3201-05	LED (RGB F3)		C200			CK73EB1A106K	CHIP C 10UF	K
C1,2			CK73EB1E106K	CHIP C 10UF	K	C202			CK73EB1C106K	CHIP C 10UF	K
C3			C93-1283-05	CHIP C 1.0UF	K	C203			CK73HB1E103K	CHIP C 0.010UF	K
C5			C93-1363-05	CHIP C 10PF		C204			CC73HCH1H560J	CHIP C 56PF	J
C6		*	C93-1464-05	CHIP C 0.012UF	F	C205			CK73EB1C106K	CHIP C 10UF	K
C7			CK73GB1H473K	CHIP C 0.047UF	K	C206			CK73HB1E103K	CHIP C 0.010UF	K
C8			C93-1383-05	CHIP C 220PF	F	C221			CK73GB1C104K	CHIP C 0.10UF	K
C9			CK73GB0J225K	CHIP C 2.2UF	K	C222			CC73HCH1H102J	CHIP C 1000PF	J
C11			CK73GB0J225K	CHIP C 2.2UF	K	C223-225			CK73EB1C106K	CHIP C 10UF	K
C12			CK73HB1E103K	CHIP C 0.010UF	K	C300			CK73GB1A105K	CHIP C 1.0UF	K
C13			CK73GB1A474K	CHIP C 0.47UF	K	C301			CK73GB1H103K	CHIP C 0.010UF	K
C14			CK73HB1E103K	CHIP C 0.010UF	K	C302			CK73FB0J106K	CHIP C 10UF	K
C15			CK73GB1H473K	CHIP C 0.047UF	K	C303			CK73GB1H103K	CHIP C 0.010UF	K
C16			CK73HB1C183K	CHIP C 0.018UF	K	C304			CK73GB1A105K	CHIP C 1.0UF	K
C17			CK73HB1E103K	CHIP C 0.010UF	K	C306			CC73HCH1H101J	CHIP C 100PF	J
C18			C93-1283-05	CHIP C 1.0UF	K	C307			CK73HB1A104K	CHIP C 0.10UF	K
C21			CK73GB0J225K	CHIP C 2.2UF	K	C308			CC73HCH1H101J	CHIP C 100PF	J
C22			CK73HB1H152K	CHIP C 1500PF	K	C309-314			CK73HB1A104K	CHIP C 0.10UF	K
C23			CK73EB1E106K	CHIP C 10UF	K	C315			CC73HCH1H101J	CHIP C 100PF	J
C24			CK73GB1H103K	CHIP C 0.010UF	K	C316-318			CK73HB1E103K	CHIP C 0.010UF	K
						C319-321			CK73HB1A104K	CHIP C 0.10UF	K

E1 : KVT-522DVD E2 : KVT-522DVDY E3 : KVT-50DVDRY (Europe)  
K : KVT-512 (North America) R1 : KVT-532DVD (Latin America)  
X1 : KVT-532DVD (Australia) M1 : KVT-532DVD M2 : KVT-532DVDM (Other Areas)

△ Indicates safety critical components.

# PARTS LIST

## VIDEO UNIT (X35-4960-10)

Ref. No.	A d d	N e w	Parts No.	Description	Desti- nation	Ref. No.	A d d	N e w	Parts No.	Description	Desti- nation
C322,323 C324 C325,326 C327,328 C329-331			CK73HB1E103K CC73HCH1H101J CK73HB1E103K CC73GCH1H180J CC73HCH1H101J	CHIP C 0.010UF K CHIP C 100PF J CHIP C 0.010UF K CHIP C 18PF J CHIP C 100PF J		X300		L77-2963-05	CRYSTAL RESONATOR (12M)		
C332-338 C339 C340,341 C342 C343			CK73HB1E103K CK73GB1C104K CK73HB1E103K CK73HB1A104K CK73HB1E103K	CHIP C 0.010UF K CHIP C 0.10UF K CHIP C 0.010UF K CHIP C 0.10UF K CHIP C 0.010UF K		R1 R3 R4 R5 R6		RK73HB1J512J RK73HB1J220J RK73GH2A433D RK73HB1J153J RK73HH1J563D	CHIP R 5.1K J 1/16W CHIP R 22 J 1/16W CHIP R 43K D 1/10W CHIP R 15K J 1/16W CHIP R 56K D 1/16W		
C344,345 C346,347 C348 C349 C350			CK73HB1A104K CK73HB1H102K CC73HCH1H101J CK73HB1H102K CK73FB0J106K	CHIP C 0.10UF K CHIP C 1000PF K CHIP C 100PF J CHIP C 1000PF K CHIP C 10UF K		R7 R8 R9 R10 R11		RK73HB1J220J RK73HB1J512J RK73HH1J204D RK73FB2B152J RK73HB1J220J	CHIP R 22 J 1/16W CHIP R 5.1K J 1/16W CHIP R 200K D 1/16W CHIP R 1.5K J 1/8W CHIP R 22 J 1/16W		
C351 C352 C353 C354 C355			CK73HB1A104K CK73FB0J106K CK73HB1A104K CK73FB0J106K CK73HB1A104K	CHIP C 0.10UF K CHIP C 10UF K CHIP C 0.10UF K CHIP C 10UF K CHIP C 0.10UF K		R12 R13 R14 R15 R16,17		RK73HB1J105J RK73HB1J220J RK73GH2A471D RK73GH2A513D RK73HB1J220J	CHIP R 1.0M J 1/16W CHIP R 22 J 1/16W CHIP R 470 D 1/10W CHIP R 51K D 1/10W CHIP R 22 J 1/16W		
C356 C357 C360-365 C401 C500			CK73HB1E103K CC73HCH1H101J CK73HB1A104K CK73HB1H102K CK73GB0J225K	CHIP C 0.010UF K CHIP C 100PF J CHIP C 0.10UF K CHIP C 1000PF K CHIP C 2.2UF K		R18 R21 R22 R23 R24		RK73HB1J222J RK73HB1J104J RK73GB2A515J RK73HH1J824D RK73HB1J472J	CHIP R 2.2K J 1/16W CHIP R 100K J 1/16W CHIP R 5.1M J 1/10W CHIP R 820K D 1/16W CHIP R 4.7K J 1/16W		
C501-503 C504 C505 C506 C507			CK73HB1E103K CK73FB0J106K CK73GB1A105K CK73FB0J106K CK73EB1E105K	CHIP C 0.010UF K CHIP C 10UF K CHIP C 1.0UF K CHIP C 10UF K CHIP C 1.0UF K		R100 R101 R102 R103 R104		RK73HB1J100J RK73GH2A104D RK73GH2A113D RK73GH2A164D RK73GH2A123D	CHIP R 10 J 1/16W CHIP R 100K D 1/10W CHIP R 11K D 1/10W CHIP R 160K D 1/10W CHIP R 12K D 1/10W		
CN1 CN101 CN102 CN103 CN104			E41-2874-05 E41-2608-05 E41-2264-05 E41-2359-05 E41-2444-05	PIN ASSY FLAT CABLE CONNECTOR PIN ASSY PIN ASSY FLAT CABLE CONNECTOR		R105 R108,109 R110 R111 R112		RK73GB2A562J RK73GB2A103J RK73GB2A472J RK73HB1J473J RK73GB2A472J	CHIP R 5.6K J 1/10W CHIP R 10K J 1/10W CHIP R 4.7K J 1/10W CHIP R 47K J 1/16W CHIP R 4.7K J 1/10W		
CN302 CN501 CN502 CN503			E41-2761-05 E41-2087-05 E41-2762-05 E41-2901-15	FLAT CABLE CONNECTOR FLAT CABLE CONNECTOR FLAT CABLE CONNECTOR FLAT CABLE CONNECTOR		R113,114 R118 R119 R201 R202		RK73GB2A000J RK73HB1J754J RK73FB2B222J RK73HB1J243J RK73HB1J183J	CHIP R 0.0 J 1/10W CHIP R 750K J 1/16W CHIP R 2.2K J 1/8W CHIP R 24K J 1/16W CHIP R 18K J 1/16W		
F1 F100			F53-0297-05 F53-0280-05	FUSE (UL,CSA) 1.6A FUSE 0.63A		R204,205 R206 R207 R208 R209,210		RK73HB1J000J RK73HH1J472D RK73HH1J222D RK73HH1J153D RK73HB1J000J	CHIP R 0.0 J 1/16W CHIP R 4.7K D 1/16W CHIP R 2.2K D 1/16W CHIP R 15K D 1/16W CHIP R 0.0 J 1/16W		
L1 L100 L101,102 L103 L104-106		*	L19-0783-05 L33-2454-05 L41-3392-13 L41-4792-13 L41-1005-33	TRANSFORMER FOR CONVERTER CHOKE COIL SMALL FIXED INDUCTOR (3.3UH) SMALL FIXED INDUCTOR (4.7UH) SMALL FIXED INDUCTOR (10U)		R212 R214,215 R216 R220 R221		RK73HB1J000J RK73GB2A470J RK73HB1J101J RK73HH1J202D RK73HH1J182D	CHIP R 0.0 J 1/16W CHIP R 47 J 1/10W CHIP R 100 J 1/16W CHIP R 2.0K D 1/16W CHIP R 1.8K D 1/16W		
L200 L300 L302-304 L305-307 L308		*	L41-1005-33 L33-2454-05 L41-1005-33 L92-0319-05 L41-1005-33	SMALL FIXED INDUCTOR (10U) CHOKE COIL SMALL FIXED INDUCTOR (10U) CHIP FERRITE SMALL FIXED INDUCTOR (10U)		R222 R223,224 R225 R301,302 R303		RK73HB1J222J RK73HH1J473D RK73GB2A000J RK73HB1J101J RK73HB1J102J	CHIP R 2.2K J 1/16W CHIP R 47K D 1/16W CHIP R 0.0 J 1/10W CHIP R 100 J 1/16W CHIP R 1.0K J 1/16W		
L309-312 L314 L501			L92-0319-05 L41-8281-15 L41-1005-33	CHIP FERRITE SMALL FIXED INDUCTOR (0.82U) SMALL FIXED INDUCTOR (10U)		R306 R309-312 R313,314		RK73HB1J101J RK73HB1J000J RK73HB1J101J	CHIP R 100 J 1/16W CHIP R 0.0 J 1/16W CHIP R 100 J 1/16W		

E1 : KVT-522DVD E2 : KVT-522DVDY E3 : KVT-50DVIDRY (Europe)

K : KVT-512 (North America) R1 : KVT-532DVD (Latin America)

X1 : KVT-532DVD (Australia) M1 : KVT-532DVD M2 : KVT-532DVDM (Other Areas)

△ Indicates safety critical components.

# PARTS LIST

## VIDEO UNIT (X35-4960-10)

Ref. No.	Add	New	Parts No.	Description	Destination
R336			RK73HB1J105J	CHIP R 1.0M J 1/16W	
R341-343			RK73HB1J000J	CHIP R 0.0 J 1/16W	
R344,345			RK73HB1J101J	CHIP R 100 J 1/16W	
R346			RK73HB1J000J	CHIP R 0.0 J 1/16W	
R347-349			RK73HB1J473J	CHIP R 47K J 1/16W	
R350			RK73HB1J000J	CHIP R 0.0 J 1/16W	
R351,352			RK73HB1J101J	CHIP R 100 J 1/16W	
R353-355			RK73HB1J473J	CHIP R 47K J 1/16W	
R356,357			RK73HB1J102D	CHIP R 1.0K D 1/16W	
R358			RK73HB1J472J	CHIP R 4.7K J 1/16W	
R366-373			RK73HB1J101J	CHIP R 100 J 1/16W	
R375			RK73HB1J820J	CHIP R 82 J 1/16W	
R376			RK73HB1J300J	CHIP R 30 J 1/16W	
R380			RK73HB1J103J	CHIP R 10K J 1/16W	
R382			RK73HB1J000J	CHIP R 0.0 J 1/16W	
R402			RK73HB1J392J	CHIP R 3.9K J 1/16W	
R403			RK73HB1J822J	CHIP R 8.2K J 1/16W	
R404			RK73HB1J243J	CHIP R 24K J 1/16W	
R405,406			RK73GB2A620J	CHIP R 62 J 1/10W	
R441			RK73GB2A820J	CHIP R 82 J 1/10W	
R453			RK73GB2A820J	CHIP R 82 J 1/10W	
R454			RK73GB2A620J	CHIP R 62 J 1/10W	
R455-458			RK73GB2A820J	CHIP R 82 J 1/10W	
R501,502			RK73HB1J333J	CHIP R 33K J 1/16W	
R503-506			RK73GB2A100J	CHIP R 10 J 1/10W	
R507			RK73GB2A000J	CHIP R 0.0 J 1/10W	
VR200			R32-0350-05	SEMI FIXED VARIABLE RESISTOR	
S401-405			S70-0901-05	TACT SWITCH	
D1,2			UDZW5.6(B)	ZENER DIODE	
D3			1SS355	DIODE	
D4,5			DA204U	DIODE	
D6			MA2S784-F	DIODE	
D7			UDZW5.6(B)	ZENER DIODE	
D8			CVS10A120M	VARISTOR	
D9			DA204U	DIODE	
D10			1SS355	DIODE	
D11			CVS10A120M	VARISTOR	
D12			DA204U	DIODE	
D101			EP05Q04	DIODE	
D102			EP05Q06	DIODE	
D103,104			EP05Q04	DIODE	
D300			DA204U	DIODE	
D302			CVS10A120M	VARISTOR	
D307,308			DA204U	DIODE	
D401			CVS10A120M	VARISTOR	
D409-411			CVS10A180M	VARISTOR	
D501-504			CVS10A180M	VARISTOR	
D505-507			CVS10A120M	VARISTOR	
IC1			OZ964ISN-C-SN	ANALOGUE IC	
IC101			LT1947-PBF	ANALOGUE IC	
IC102			TC7WH123FU-F	MOS-IC	
IC103			74AHC1G04GW	MOS-IC	
IC200			TA75W558FU-F	ANALOGUE IC	

Ref. No.	Add	New	Parts No.	Description	Destination
IC300			S-1112B25MCG	ANALOGUE IC	
IC302		*	AT25F2048-4Z8	ROM IC	
IC304			MST7988LA-ALF	MOS-IC	
Q1			2SC4081	TRANSISTOR	
Q2,3			SI5504DC-E3	DUAL FET	
Q4			DTC114YUA	DIGITAL TRANSISTOR	
Q5			2SC4081	TRANSISTOR	
Q101			2SC4081	TRANSISTOR	
Q102			2SA1576A	TRANSISTOR	
Q200			2SC4097	TRANSISTOR	
Q202			2SA1577	TRANSISTOR	
Q203			UMZ1N	TRANSISTOR	
Q501			DTC114YE	DIGITAL TRANSISTOR	
Q502,503			PUMD10	DUAL TRANSISTOR	
<b>DVD UNIT (X37-1100-03)</b>					
C3			CK73HB1A104K	CHIP C 0.10UF	K
C4			CC73HCH1H471J	CHIP C 470PF	J
C5-7			CK73HB1E103K	CHIP C 0.010UF	K
C8			CC73HCH1H471J	CHIP C 470PF	J
C9			CK73HB0J105K	CHIP C 1.0UF	K
C10			CK73GB0J475K	CHIP C 4.7UF	K
C11,12			CK73HB1E103K	CHIP C 0.010UF	K
C13			CK73HB1H472K	CHIP C 4700PF	K
C14			CK73GB0J106M	CHIP C 10UF	M
C15			CK73HB1A104K	CHIP C 0.10UF	K
C16			CK73GB0J106M	CHIP C 10UF	M
C17			CK73GB0J475K	CHIP C 4.7UF	K
C18			CK73FB0J226M	CHIP C 22UF	M
C21			CK73GB0J106M	CHIP C 10UF	M
C22,23			CK73GB0J475K	CHIP C 4.7UF	K
C50			CK73HB1E103K	CHIP C 0.010UF	K
C51			CK73HB1A104K	CHIP C 0.10UF	K
C52			CK73HB1E223K	CHIP C 0.022UF	K
C53			CC73HCH1H470J	CHIP C 47PF	J
C54			CC73HCH1H102J	CHIP C 1000PF	J
C55			CC73HCH1H100D	CHIP C 10PF	D
C56			CC73HCH1H102J	CHIP C 1000PF	J
C57			CC73HCH1E681J	CHIP C 680PF	J
C58			CK73HB1H682K	CHIP C 6800PF	K
C60,61			CK73HB1A104K	CHIP C 0.10UF	K
C62			CC73HCH1H102J	CHIP C 1000PF	J
C63			CC73HCH1H331J	CHIP C 330PF	J
C64			CK73HB1H222K	CHIP C 2200PF	K
C65			CC73HCH1E681J	CHIP C 680PF	J
C66			CK73HB1H152K	CHIP C 1500PF	K
C67,68			CC73HCH1H102J	CHIP C 1000PF	J
C69-72			CC73HCH1H151J	CHIP C 150PF	J
C73-82			CK73HB1A104K	CHIP C 0.10UF	K
C83			C93-1228-05	CHIP C 1UF	M
C84			CK73HB0J105K	CHIP C 1.0UF	K
C85			CK73HB1A104K	CHIP C 0.10UF	K
C86			C93-1228-05	CHIP C 1UF	M
C90			CK73HB1E103K	CHIP C 0.010UF	K
C92			C93-1228-05	CHIP C 1UF	M
C93-95			CK73HB1A104K	CHIP C 0.10UF	K

E1 : KVT-522DVD E2 : KVT-522DVDY E3 : KVT-50DVDRY (Europe)  
K : KVT-512 (North America) R1 : KVT-532DVD (Latin America)  
X1 : KVT-532DVD (Australia) M1 : KVT-532DVD M2 : KVT-532DVDM (Other Areas)

△ Indicates safety critical components.

# PARTS LIST

## DVD UNIT (X37-1100-03)

Ref. No.	Add	New	Parts No.	Description	Destination	Ref. No.	Add	New	Parts No.	Description	Destination
C97			CK73HB1A104K	CHIP C 0.10UF K		R28,29			R92-5147-05	CHIP R 1.2 D 1/4W	
C99			CK73HB1A104K	CHIP C 0.10UF K		R31			RK73HB1J102J	CHIP R 1.0K J 1/16W	
C100			CK73FB0J226M	CHIP C 22UF M		R50,51			RK73HB1J510J	CHIP R 51 J 1/16W	
C101			CK73GB0J475K	CHIP C 4.7UF K		R52			RK73HH1J153D	CHIP R 15K D 1/16W	
C103,104			CK73FB0J226M	CHIP C 22UF M		R53			RK73HB1J105J	CHIP R 1.0M J 1/16W	
C120,121			CK73HB1E223K	CHIP C 0.022UF K		R54			RK73HB1J472J	CHIP R 4.7K J 1/16W	
C143,144			CC73HCH1H120J	CHIP C 12PF J		R55			RK73HB1J103J	CHIP R 10K J 1/16W	
C202			CK73FB0J226M	CHIP C 22UF M		R56			RK73HH1J472D	CHIP R 4.7K D 1/16W	
C207,208			CK73HB1A104K	CHIP C 0.10UF K		R57,58			RK73HB1J202J	CHIP R 2.0K J 1/16W	
C210			CK73HB1A104K	CHIP C 0.10UF K		R59,60			RK73HB1J103J	CHIP R 10K J 1/16W	
C212			CK73HB1A104K	CHIP C 0.10UF K		R63			RK73HB1J103J	CHIP R 10K J 1/16W	
C213			CK73HB1H332K	CHIP C 3300PF K		R64,65			RK73HB1J472J	CHIP R 4.7K J 1/16W	
C214,215			CK73HB1A104K	CHIP C 0.10UF K		R81			RK73HB1J103J	CHIP R 10K J 1/16W	
C216			CC73HCH1H471J	CHIP C 470PF J		R83,84			RK73HB1J473J	CHIP R 47K J 1/16W	
C217			CK73HB1A104K	CHIP C 0.10UF K		R85			RK73HB1J223J	CHIP R 22K J 1/16W	
C218			CK73HB1C473K	CHIP C 0.047UF K		R86			RK73HB1J103J	CHIP R 10K J 1/16W	
C219-224			CK73HB1A104K	CHIP C 0.10UF K		R87			RK73HB1J105J	CHIP R 1.0M J 1/16W	
C225			CK73GB0J475K	CHIP C 4.7UF K		R88			RK73HB1J152J	CHIP R 1.5K J 1/16W	
C227			CK73FB0J226M	CHIP C 22UF M		R89,90			RK73HB1J123J	CHIP R 12K J 1/16W	
C434			CK73GB0J106M	CHIP C 10UF M		R91			RK73HB1J472J	CHIP R 4.7K J 1/16W	
C435			CK73HB1E103K	CHIP C 0.010UF K		R92			RK73HB1J273J	CHIP R 27K J 1/16W	
C436,437			CK73HB1A104K	CHIP C 0.10UF K		R96			RK73HB1J103J	CHIP R 10K J 1/16W	
C440-442			CK73FB0J226M	CHIP C 22UF M		R98			RK73HB1J202J	CHIP R 2.0K J 1/16W	
C444			CC73HCH1H102J	CHIP C 1000PF J		R101			RK73HH1J273D	CHIP R 27K D 1/16W	
C445			CK73HB1E103K	CHIP C 0.010UF K		R102			RK73GB2A470J	CHIP R 47 J 1/10W	
C446			CC73HCH1H101J	CHIP C 100PF J		R105			RK73HB1J103J	CHIP R 10K J 1/16W	
C447,448			CC73HCH1H102J	CHIP C 1000PF J		R113			RK73HB1J153J	CHIP R 15K J 1/16W	
C449,450			CK73HB1H472K	CHIP C 4700PF K		R120			RK73HB1J103J	CHIP R 10K J 1/16W	
C451			CC73HCH1H102J	CHIP C 1000PF J		R121			RK73HB1J820J	CHIP R 82 J 1/16W	
CN1			E41-2594-05	FLAT CABLE CONNECTOR		R122			RK73HB1J103J	CHIP R 10K J 1/16W	
CN2			E41-2603-05	FLAT CABLE CONNECTOR		R123			RK73HB1J330J	CHIP R 33 J 1/16W	
CN3			E41-2596-05	FLAT CABLE CONNECTOR		R124-126			RK73HB1J820J	CHIP R 82 J 1/16W	
L1			L92-0365-05	CHIP FERRITE		R150,151			RK73HB1J102J	CHIP R 1.0K J 1/16W	
L5			L92-0365-05	CHIP FERRITE		R152,153			RK73HB1J104J	CHIP R 100K J 1/16W	
L6			L92-0617-05	CHIP FERRITE		R154,155			RK73HB1J103J	CHIP R 10K J 1/16W	
X1			L77-2870-05	CRYSTAL RESONATOR		R158,159			RK73HB1J1R0J	CHIP R 1.0 J 1/16W	
CP2-4			RK74HB1J103J	CHIP-COM 10K J 1/16W		R160			R92-3350-05	CHIP R 2.2 F 1/10W	
CP5-9			RK74HB1J330J	CHIP-COM 33 J 1/16W		R162,163			RK73HB1J104J	CHIP R 100K J 1/16W	
CP10			RK74HB1J820J	CHIP-COM 82 J 1/16W		R164,165			RK73HH1J101D	CHIP R 100 D 1/16W	
CP11			RK74HB1J103J	CHIP-COM 10K J 1/16W		R166			RK73HB1J225J	CHIP R 2.2M J 1/16W	
R1			RK73HB1J103J	CHIP R 10K J 1/16W		R167			RK73HH1J113D	CHIP R 11K D 1/16W	
R3,4			RK73HB1J103J	CHIP R 10K J 1/16W		R168			RK73HH1J273D	CHIP R 27K D 1/16W	
R5,6			RK73HH1J123D	CHIP R 12K D 1/16W		R169			RK73HB1J125J	CHIP R 1.2M J 1/16W	
R7			RK73HH1J333D	CHIP R 33K D 1/16W		R255			R92-5112-05	CHIP R 4.7 F 1/10W	
R8,9			RK73HB1J103J	CHIP R 10K J 1/16W		R256			RK73HH1J111D	CHIP R 110 D 1/16W	
R10			RK73HB1J163J	CHIP R 16K J 1/16W		R257			RK73HH1J202D	CHIP R 2.0K D 1/16W	
R11			RK73HB1J102J	CHIP R 1.0K J 1/16W		R258,259			RK73HB1J103J	CHIP R 10K J 1/16W	
R13			RK73HB1J103J	CHIP R 10K J 1/16W		R260			RK73HH1J132D	CHIP R 1.3K D 1/16W	
R16			RK73HB1J103J	CHIP R 10K J 1/16W		R261			RK73HH1J203D	CHIP R 20K D 1/16W	
R17			RK73HB1J271J	CHIP R 270 J 1/16W		R262			RK73HB1J821J	CHIP R 820 J 1/16W	
R18			RK73HH1J270D	CHIP R 27 D 1/16W		R263			RK73HB1J242J	CHIP R 2.4K J 1/16W	
R19			RK73HB1J301J	CHIP R 300 J 1/16W		R265-268			RK73HB1J000J	CHIP R 0.0 J 1/16W	
R21,22			RK73HH1J103D	CHIP R 10K D 1/16W		R270			RK73HB1J000J	CHIP R 0.0 J 1/16W	
R26,27			R92-5146-05	CHIP R 1.0 D 1/4W		R271			RK73HB1J471J	CHIP R 470 J 1/16W	
						R272			RK73HH1J682D	CHIP R 6.8K D 1/16W	

E1 : KVT-522DVD E2 : KVT-522DVDY E3 : KVT-50DVIDRY (Europe)

K : KVT-512 (North America) R1 : KVT-532DVD (Latin America)

X1 : KVT-532DVD (Australia) M1 : KVT-532DVD M2 : KVT-532DVDM (Other Areas)

△ Indicates safety critical components.

# PARTS LIST

## DVD UNIT (X37-1100-03)

Ref. No.	A d d	N e w	Parts No.	Description	Desti- nation
R273			RK73HH1J122D	CHIP R 1.2K D 1/16W	
R274			RK73HH1J682D	CHIP R 6.8K D 1/16W	
R275			RK73HH1J122D	CHIP R 1.2K D 1/16W	
R278			R92-5112-05	CHIP R 4.7 F 1/10W	
R279			RK73HH1J102D	CHIP R 1.0K D 1/16W	
R280			RK73HB1J4R7J	CHIP R 4.7 J 1/16W	
R284			RK73HB1J000J	CHIP R 0.0 J 1/16W	
R285-287			RK73GB2A000J	CHIP R 0.0 J 1/10W	
S1			S68-0911-15	PUSH SWITCH	
S2			S68-0914-05	PUSH SWITCH	
D1			1SS402-F	DIODE	
D5,6			015AZ5.1-F(Y)	ZENER DIODE	
D8			1SS387-F	DIODE	
IC1			AN22022ABV	ANALOGUE IC	
IC3			-	ROM IC	
IC4			MN103S71F	MOS-IC	
IC5			S1000N2814T1G	ANALOGUE IC	
IC7			TA48S033AF-Q	ANALOGUE IC	
IC8			S-80812CNPF-G	ANALOGUE IC	
IC9			TA48S015AF-Q	ANALOGUE IC	
IC10			AN41250A-VB	ANALOGUE IC	
IC11			-	ROM IC	
IC12			NJU7042	ANALOGUE IC	
Q1-4			DTA143XE	TRANSISTOR	
Q5,6			2SK3019	FET	
Q12,13			2SB1709	TRANSISTOR	
Q14			SSM3J15FU-F	FET	
Q15			DTA143ZE	TRANSISTOR	
Q18			DTA143ZE	TRANSISTOR	
Q19			DTC114EE	TRANSISTOR	

## DVD MECHANISM ASSY (X92-6160-00) (DVS-8020V)

1	1A		A10-5331-51	CHASSIS	
2	2B		A10-5332-51	CHASSIS	
3	1A		A10-5333-31	CHASSIS	
4	3A		A10-5460-02	CHASSIS	
7	1B		D10-4918-22	ARM	
8	1B		D10-4919-22	ARM	
9	1B		D10-4920-02	LEVER	
10	1B		D10-4921-02	LEVER	
12	2B		D10-4922-12	SLIDER	
13	2A		D10-7011-02	ARM	
14	2B		D10-4924-13	ARM	
15	2B		D10-4925-12	ARM	
25	2B		D10-4973-04	SLIDER ASSY	
27	2A		D10-4945-04	LEVER	
28	2B		D12-0639-02	CAM	
31	2B		D13-2402-04	GEAR	
32	2B		D13-2403-04	GEAR	
33	2B		D13-2404-04	GEAR	
34	2B		D13-2405-04	GEAR	
35	2B		D13-2406-04	GEAR	
36	2B		D13-2407-04	GEAR	
40	2A		D13-2413-04	GEAR	
41	2A		D13-2415-04	GEAR	

Ref. No.	A d d	N e w	Parts No.	Description	Desti- nation
42	2A		D13-2416-04	GEAR	
43	1B		D14-1013-14	ROLLER	
53	1B		D21-2487-24	SHAFT	
54	2A		D39-0275-05	DAMPER	
55	2A		D39-0276-05	DAMPER	
60	3A		F09-2825-23	SHEET	
65	2B		G01-3298-04	EXTENSION SPRING	
66	1B		G01-3299-04	EXTENSION SPRING	
67	2A		G01-3300-14	TORSION COIL SPRING	
68	2B		G01-4601-04	EXTENSION SPRING	
69	1B		G01-4602-04	EXTENSION SPRING	
70	1B		G01-4604-04	TORSION COIL SPRING	
74	2B		G01-4609-14	TORSION COIL SPRING	
75	1B		G02-1564-03	FLAT SPRING	
79	2A		J22-0475-21	MOUNTING HARDWARE	
80	3B		J22-0636-01	MOUNTING HARDWARE	
A	1A		N09-6382-05	MACHINE SCREW (M1.7X2.0)	
B	3B		N09-6408-15	TAPTITE SCREW (1.7X4 P-TITE)	
C	1B		N09-6426-15	MACHINE SCREW (LOAD ARM SCREW)	
D	3A		N09-6104-05	MACHINE SCREW (2X10 S-TITE)	
93	2A		T99-0471-05	MAGNET	
96	1B		X94-2080-00	ROLLER ASSY	
98	2A		X94-2060-00	TRAVERSE ASSY (PICKUP,SPINDLE)	
VM1	2A		X94-2070-00	MOTOR ASSY (LOADING)	

**E1** : KVT-522DVD **E2** : KVT-522DVDY **E3** : KVT-50DVDRY (Europe)  
**K** : KVT-512 (North America) **R1** : KVT-532DVD (Latin America)  
**X1** : KVT-532DVD (Australia) **M1** : KVT-532DVD **M2** : KVT-532DVDM (Other Areas)

The IC3, and IC11 in the DVD unit (X37-1100-03) are not replaceable components. When these ICs are defective, replace the whole DVD mechanism assembly (X92-6160-00).