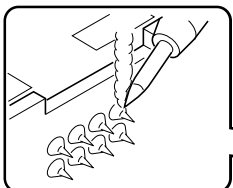
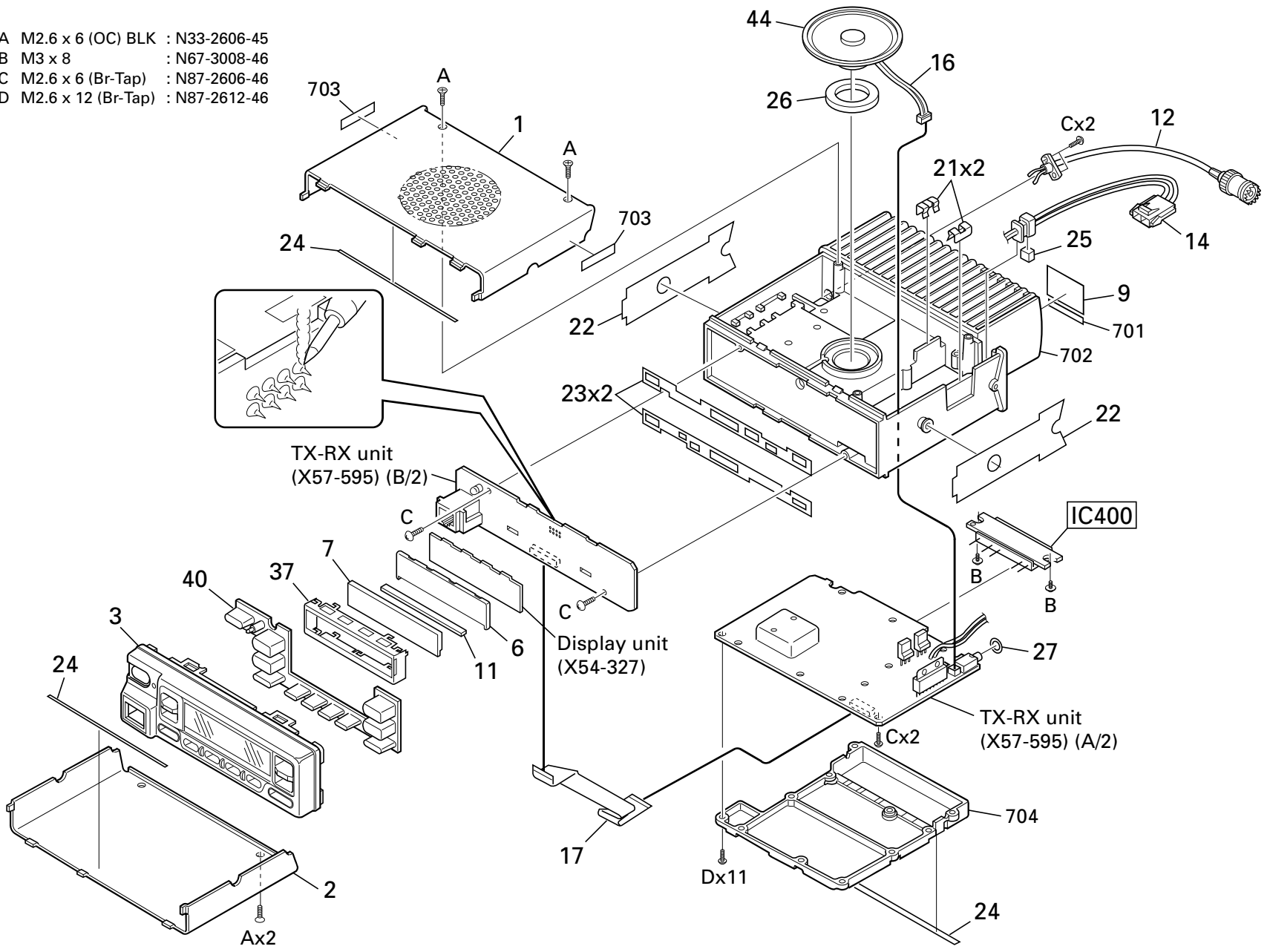


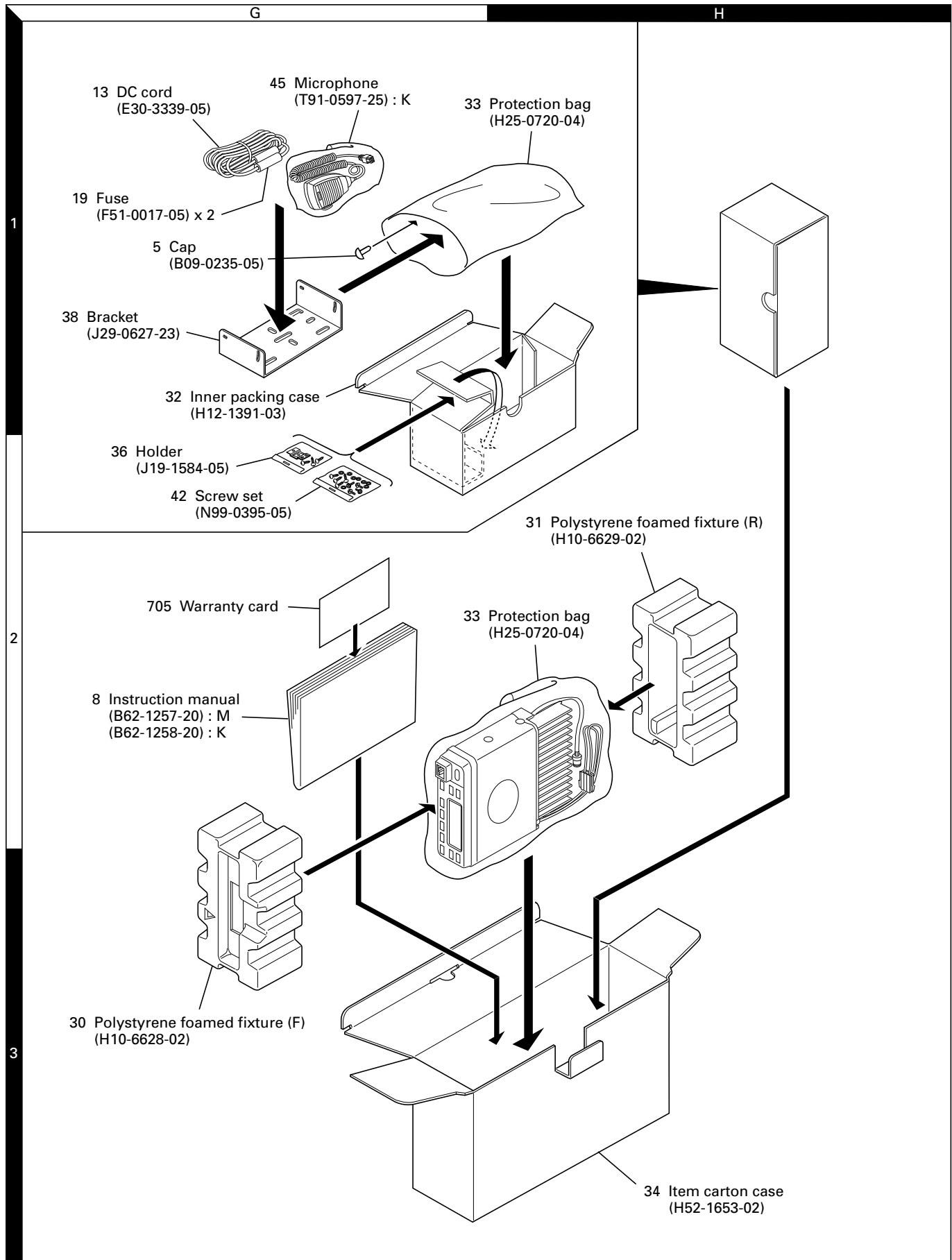
TK-760HG/762HG

EXPLODED VIEW (TK-760HG)

- A M2.6 x 6 (OC) BLK : N33-2606-45
- B M3 x 8 : N67-3008-46
- C M2.6 x 6 (Br-Tap) : N87-2606-46
- D M2.6 x 12 (Br-Tap) : N87-2612-46



PACKING



TK-760HG/762HG

PARTS LIST

*New Parts. ⚠ indicates safety critical components.

Parts without **Parts No.** are not supplied.

Les articles non mentionnés dans le **Parts No.** ne sont pas fournis.

Teile ohne **Parts No.** werden nicht geliefert.

L : Scandinavia

K : USA

P : Canada

Y : PX (Far East, Hawaii)

T : England

E : Europe

Y : AAFES (Europe)

X : Australia

M : Other Areas

TK-760HG/762HG

DISPLAY UNIT (X54-3270-10) : TK-760HG, DISPLAY UNIT (X54-3280-10) : TK-762HG

Ref. No.	Address	New parts	Parts No.	Description	Destination
TK-760HG/762HG					
1	1B,1E		A01-2165-13	CABINET UPPER	
2	2A,2D		A01-2166-13	CABINET LOWER	
3	2A		A62-0642-03	PANEL ASSY	760
3	2D		A62-0731-03	PANEL ASSY	762
5	1G		B09-0235-05	CAP	
6	2B		B11-1226-03	ILLUMINATION GUIDE	760
6	2E		B11-1230-03	ILLUMINATION GUIDE	762
7	2A		B38-0824-05	LCD	760
7	2E		B38-0825-05	LCD	762
8	2G		B62-1257-20	INSTRUCTION MANUAL	M
8	2G	*	B62-1258-20	INSTRUCTION MANUAL	K
9	1C		B72-1816-04	MODEL NAME PLATE	760K
9	1C		B72-1817-04	MODEL NAME PLATE	760M
9	1F		B72-1818-04	MODEL NAME PLATE	762
11	2B		E29-1179-04	INTER CONNECTOR	760
11	2E		E29-1183-04	INTER CONNECTOR	762
12	1C		E30-2145-15	ANTENNA CABLE	
13	1G		E30-3339-05	DC CORD ACC	
14	1C,1F		E30-3340-05	DC CORD RADIO	
-	-		E30-3404-05	EXTENSION CABLE	
16	1C,1F		E37-0790-25	LEAD WIRE WITH CONNECTOR (SP)	
17	2B,2E		E37-0815-05	FLAT CABLE	
19	1G		F51-0017-05	FUSE (6*30)	
21	1C,1F		G02-0791-04	FLAT SPRING AF, APC	
22	1B,1E		G10-1221-04	FIBROUS SHEET SIDE	
23	1B,1E		G10-1222-14	FIBROUS SHEET UP, DOWN	
24	1A,1D		G10-1223-14	FIBROUS SHEET SHIELD	
25	1C,1F		G13-1468-04	CUSHION DC CORD	
26	1B,1E		G13-1759-04	CUSHION SP	
27	2C,2F		G53-0796-04	PACKING PHONE JACK	
28	2E		G53-0889-04	PACKING DISPLAY UNIT	762
30	3G		H10-6628-02	POLYSTYRENE FOAMED FIXTURE (F)	
31	2H		H10-6629-02	POLYSTYRENE FOAMED FIXTURE (R)	
32	1G		H12-1391-03	INNER PACKING CASE	
33	1H,2H		H25-0720-04	PROTECTION BAG (200X350)	
34	3H		H52-1653-02	ITEM CARTON CASE	
36	2G		J19-1584-05	HOLDER ACC	
37	2A,2D		J21-8382-03	HARDWARE FIXTURE	
38	1G		J29-0627-23	BRACKET	
40	2A		K29-5343-02	KEY TOP	760
40	2D		K29-5344-02	KEY TOP	762
A	2A,2D		N33-2606-45	OVAL HEAD MACHINE SCREW	
B	2C,2F		N67-3008-46	PAN HEAD SEMS SCREW W	
C	2B,2E		N87-2606-46	BRAZIER HEAD TAPTITE SCREW	
D	2B,2E		N87-2612-46	BRAZIER HEAD TAPTITE SCREW	
42	2G		N99-0395-05	SCREW SET	
44	1B,1E		T07-0368-05	SPEAKER	
45	1G		T91-0597-25	MICROPHONE	K

Ref. No.	Address	New parts	Parts No.	Description	Destination
DISPLAY UNIT (X54-3270-10) : TK-760HG					
D802-805			B30-2220-05	LED (2P/YELLOW)	
C801-803			CC73GCH1H101J	CHIP C 100PF J	
C804			CK73GF1A105Z	CHIP C 1.0UF Z	
C805			CK73GB1H102K	CHIP C 1000PF K	
C806,807			CK73GB1H471K	CHIP C 470PF K	
CN801			E40-6020-05	PIN ASSY	
L801			L92-0138-05	FERRITE CHIP	
R801-803			RK73GB1J103J	CHIP R 10K J 1/16W	
R804			RK73GB1J473J	CHIP R 47K J 1/16W	
R805			RK73GB1J474J	CHIP R 470K J 1/16W	
R806			R92-1252-05	CHIP R 0 OHM	
R808			RK73GB1J392J	CHIP R 3.9K J 1/16W	
R809			RK73FB2A270J	CHIP R 27 J 1/10W	
D801			MA2S111	DIODE	
D808			HSB123	DIODE	
IC801			LC75823W	IC (LCD DRIVER)	
Q801			2SB1132(Q,R)	TRANSISTOR	
DISPLAY UNIT (X54-3280-10) : TK-762HG					
D801			B30-2204-05	LED (RED/YELLOW)	
D803			B30-2220-05	LED (2P/YELLOW)	
D804			B30-2204-05	LED (RED/YELLOW)	
C801			CK73GB1H471K	CHIP C 470PF K	
C802-804			CC73GCH1H101J	CHIP C 100PF J	
C805			CK73GF1A105Z	CHIP C 1.0UF Z	
C806			CK73GB1H471K	CHIP C 470PF K	
C807			CK73GB1H102K	CHIP C 1000PF K	
C808			CK73GB1H471K	CHIP C 470PF K	
C812			CK73GB1H471K	CHIP C 470PF K	
CN801			E40-6020-05	PIN ASSY	
L801			L92-0138-05	FERRITE CHIP	
R801,802			RK73GB1J103J	CHIP R 10K J 1/16W	
R803			RK73FB2A123J	CHIP R 12K J 1/10W	
R804			RK73GB1J103J	CHIP R 10K J 1/16W	
R805			RK73FB2A332J	CHIP R 3.3K J 1/10W	
R806			RK73GB1J474J	CHIP R 470K J 1/16W	
R807			R92-1252-05	CHIP R 0 OHM	
R808			RK73GB1J393J	CHIP R 39K J 1/16W	
R809			RK73FB2A123J	CHIP R 12K J 1/10W	
R810			RK73FB2A332J	CHIP R 3.3K J 1/10W	
R812			RK73FB2A561J	CHIP R 560 J 1/10W	
R813-816			RK73GB1J473J	CHIP R 47K J 1/16W	
D802			MA2S111	DIODE	
IC801			LC75833W	IC (LCD DRIVER)	
Q801-803			DTA114EKA	DIGITAL TRANSISTOR	
Q804			KRA225S	DIGITAL TRANSISTOR	
Q805			DTA114EKA	DIGITAL TRANSISTOR	
Q806-809			2SK1824	FET	

PARTS LIST

TX-RX UNIT (X57-5950-XX)

Ref. No.	Address	New parts	Parts No.	Description	Destination	Ref. No.	Address	New parts	Parts No.	Description	Destination
TX-RX UNIT (X57-5950-XX)						TX-RX UNIT (X57-5950-XX)					
-14 : TK-760HG						-15 : TK-762HG					
D509-514			B30-2050-05	LED		C98			CK73GB1H103K	CHIP C	0.010UF K
D521			B30-2151-05	LED (RED/GREEN)		C99			C92-0004-05	CHIP-TAN	1.0UF 16WV
C1-11			CK73GB1H102K	CHIP C	1000PF K	C100			CK73GB1H102K	CHIP C	1000PF K
C13-19			CK73GB1H102K	CHIP C	1000PF K	C101			CC73GCH1H040C	CHIP C	4.0PF C
C20			C92-0507-05	CHIP-TAN	4.7UF 6.3WV	C102,103			CK73GB1H102K	CHIP C	1000PF K
C21			CK73GB1H102K	CHIP C	1000PF K	C104			C92-0002-05	CHIP-TAN	0.22UF 35WV
C22			CK73GB1C104K	CHIP C	0.10UF K	C105			CK73GB1H102K	CHIP C	1000PF K
C23,24			C92-0507-05	CHIP-TAN	4.7UF 6.3WV	C106			CC73GCH1H180J	CHIP C	18PF J
C26			CK73GB1H102K	CHIP C	1000PF K	C107			CK73GB1H102K	CHIP C	1000PF K
C29			C92-0507-05	CHIP-TAN	4.7UF 6.3WV	C110			CC73GCH1H180J	CHIP C	18PF J
C30			CC73GCH1H050C	CHIP C	5.0PF C	C111			CC73GCH1H040C	CHIP C	4.0PF C
C31			CK73GB1H102K	CHIP C	1000PF K	C112			CK73GB1H102K	CHIP C	1000PF K
C32			C92-0662-05	CHIP-TAN	15UF 6.3WV	C113			C92-0507-05	CHIP-TAN	4.7UF 6.3WV
C33			CC73GCH1H220J	CHIP C	22PF J	C114			C92-0697-05	CHIP-TAN	3.3UF 16WV
C35			CK73GB1C104K	CHIP C	0.10UF K	C115			CK73GB1H102K	CHIP C	1000PF K
C36			CK73GB1H102K	CHIP C	1000PF K	C116			CK73GB1H103K	CHIP C	0.010UF K
C37			CK73FB1C334K	CHIP C	0.33UF K	C117			CK73GB1H102K	CHIP C	1000PF K
C40,41			CK73GB1H103K	CHIP C	0.010UF K	C118			CC73GCH1H100D	CHIP C	10PF D
C43			C92-0507-05	CHIP-TAN	4.7UF 6.3WV	C119			CK73GB1H103K	CHIP C	0.010UF K
C44			CK73GB1H331K	CHIP C	330PF K	C120			CC73GCH1H220J	CHIP C	22PF J
C45			CK73GB1H102K	CHIP C	1000PF K	C121			CK73GB1H102K	CHIP C	1000PF K
C46			CK73GB1H103K	CHIP C	0.010UF K	C122,123			CK73GB1C104K	CHIP C	0.10UF K
C47			C92-0561-05	CHIP-ELE	22UF 16WV	C124			CC73GCH1H101J	CHIP C	100PF J
C49			CK73GB1H102K	CHIP C	1000PF K	C125			C92-0004-05	CHIP-TAN	1.0UF 16WV
C50			CC73GCH1H220J	CHIP C	22PF J	C126			CC73GCH1H180J	CHIP C	18PF J
C51			CK73GB1C104K	CHIP C	0.10UF K	C127			CK73GB1H103K	CHIP C	0.010UF K
C52			CC73GCH1H680J	CHIP C	68PF J	C128			C92-0543-05	CHIP-TAN	3.3UF 10WV
C53			CK73GB1C104K	CHIP C	0.10UF K	C129			CK73FF1C105Z	CHIP C	1.0UF Z
C54			CK73GB1H103K	CHIP C	0.010UF K	C130			CK73GB1H103K	CHIP C	0.010UF K
C56			CC73GCH1H220J	CHIP C	22PF J	C131-133			CK73GB1H102K	CHIP C	1000PF K
C58			CK73GB1E223K	CHIP C	0.022UF K	C134			CK73FB1E104K	CHIP C	0.10UF K
C60,61			CK73GB1H102K	CHIP C	1000PF K	C135			CC73GCH1H090D	CHIP C	9.0PF D
C62			CC73GCH1H101J	CHIP C	100PF J	C136			CK73GB1C104K	CHIP C	0.10UF K
C63			CK73GB1C104K	CHIP C	0.10UF K	C137			CC73GCH1H101J	CHIP C	100PF J
C64			CK73GB1H103K	CHIP C	0.010UF K	C138			CK73FB1E104K	CHIP C	0.10UF K
C66,67			CK73GB1H102K	CHIP C	1000PF K	C139			CK73GB1H102K	CHIP C	1000PF K
C69			CK73GB1E223K	CHIP C	0.022UF K	C141			C92-0719-05	ELECTRO	47UF 25WV
C70			C92-0507-05	CHIP-TAN	4.7UF 6.3WV	C142-144			CK73GB1H102K	CHIP C	1000PF K
C72			C92-0507-05	CHIP-TAN	4.7UF 6.3WV	C146-149			CK73GB1H102K	CHIP C	1000PF K
C74,75			CK73GB1H102K	CHIP C	1000PF K	C150			CK73FF1C105Z	CHIP C	1.0UF Z
C77			C90-2046-05	ELECTRO	22UF 10WV	C151			CK73GB1H102K	CHIP C	1000PF K
C78			CK73GB1H102K	CHIP C	1000PF K	C152			CC73GCH1H030C	CHIP C	3.0PF C
C79,80			CK73GB1H221K	CHIP C	220PF K	C153			CC73GCH1H330J	CHIP C	33PF J
C81			CK73GB1H102K	CHIP C	1000PF K	C154			CK73GB1H102K	CHIP C	1000PF K
C82			C92-0507-05	CHIP-TAN	4.7UF 6.3WV	C155			CC73GCH1H220J	CHIP C	22PF J
C83			CC73GCH1H270J	CHIP C	27PF J	C156,157			CK73GB1H102K	CHIP C	1000PF K
C84			C92-0507-05	CHIP-TAN	4.7UF 6.3WV	C158			CC73GCH1H270J	CHIP C	27PF J
C86			C92-0662-05	CHIP-TAN	15UF 6.3WV	C159			CC73GCH1H180J	CHIP C	18PF J
C87			CC73GCH1H330J	CHIP C	33PF J	C160,161			C92-0719-05	ELECTRO	47UF 25WV
C88			CK73GB1H103K	CHIP C	0.010UF K	C162			CK73GB1H102K	CHIP C	1000PF K
C91			CC73GCH1H050C	CHIP C	5.0PF C	C163			CC73GCH1H010B	CHIP C	1.0PF B
C92			CK73GB1H102K	CHIP C	1000PF K	C164			CK73GB1H102K	CHIP C	1000PF K
C93			C92-0555-05	CHIP-TAN	0.047UF 35WV	C165			C92-0719-05	ELECTRO	47UF 25WV
C94			CK73GB1H102K	CHIP C	1000PF K	C166			CE04EW1E471M	ELECTRO	470UF 25WV
C95			CC73GCH1H020B	CHIP C	2.0PF B	C167			CC73GCH1H150J	CHIP C	15PF J
C96			CK73GB1H102K	CHIP C	1000PF K	C168-170			CK73GB1H102K	CHIP C	1000PF K
C97			C92-0546-05	CHIP-TAN	68UF 6.3WV	C171			CC73GCH1H020B	CHIP C	2.0PF B
						C172			CE04EW1E471M	ELECTRO	470UF 25WV
						C173			CK73GB1C104K	CHIP C	0.10UF K
						C174			CK73GB1H102K	CHIP C	1000PF K

TK-760HG : K,M
TK-762HG : K

TK-760HG/762HG

PARTS LIST

TX-RX UNIT (X57-5950-XX)

Ref. No.	Address	New parts	Parts No.	Description	Destination	Ref. No.	Address	New parts	Parts No.	Description	Destination
C175			CC73GCH1H080D	CHIP C 8.0PF D		C522			C92-0507-05	CHIP-TAN 4.7UF 6.3WV	
C177			CK73GB1H102K	CHIP C 1000PF K		C523			CC73GCH1H221J	CHIP C 220PF J	
C179			CK73GB1H102K	CHIP C 1000PF K		C524			CK73GB1H103K	CHIP C 0.010UF K	
C180			CK73GB1H103K	CHIP C 0.010UF K		C525			CK73GB1E123K	CHIP C 0.012UF K	
C181			CC73FCH1H270J	CHIP C 27PF J		C526			CK73GB1C683K	CHIP C 0.068UF K	
C183			CK73GB1H102K	CHIP C 1000PF K		C527			CK73GB1H222K	CHIP C 2200PF K	
C185			CK73GB1C104K	CHIP C 0.10UF K		C528			CK73GB1H103K	CHIP C 0.010UF K	
C186,187			CK73GB1H102K	CHIP C 1000PF K		C529			CK73GB1H272K	CHIP C 2700PF K	
C189,190			CK73GB1H102K	CHIP C 1000PF K		C530			CK73GB1H152K	CHIP C 1500PF K	
C192			CK73GB1H102K	CHIP C 1000PF K		C531			CK73GB1H272K	CHIP C 2700PF K	
C194			CK73GB1C104K	CHIP C 0.10UF K		C532,533			CK73GB1C104K	CHIP C 0.10UF K	
C195			C92-0719-05	ELECTRO 47UF 25WV		C534,535			CK73GB1H103K	CHIP C 0.010UF K	
C196			CK73GB1H102K	CHIP C 1000PF K		C536,537			CK73GB1C104K	CHIP C 0.10UF K	
C198			CK73GB1H102K	CHIP C 1000PF K		C538			C92-0566-05	CHIP-TAN 10UF 6.3WV	
C200			CK73GB1H102K	CHIP C 1000PF K		C539			CK73GB1H103K	CHIP C 0.010UF K	
C201			CK73GB1C104K	CHIP C 0.10UF K		C540,541			CK73GB1C104K	CHIP C 0.10UF K	
C203			CK73GB1H102K	CHIP C 1000PF K		C542			CC73GCH1H331J	CHIP C 330PF J	
C204			C92-0004-05	CHIP-TAN 1.0UF 16WV		C543			CK73GB1H102K	CHIP C 1000PF K	
C205			C93-0560-05	CHIP C 10PF D		C544-546			CK73GB1H562K	CHIP C 5600PF K	
C207			CK73GB1H103K	CHIP C 0.010UF K		C547			CC73GCH1H030C	CHIP C 3.0PF C	
C208			CC73FCH1H030C	CHIP C 3.0PF C		C548-550			CK73GB1H272K	CHIP C 2700PF K	
C209			C93-0561-05	CHIP C 12PF J		C551			CC73GCH1H151J	CHIP C 150PF J	
C210			CK73GB1H103K	CHIP C 0.010UF K		C552			CC73GCH1H030C	CHIP C 3.0PF C	
C211			C93-0564-05	CHIP C 22PF J		C553			CK73GB1H102K	CHIP C 1000PF K	
C212			CK73GB1H102K	CHIP C 1000PF K		C554			CK73GB1H122K	CHIP C 1200PF K	
C213			C93-0563-05	CHIP C 18PF J		C555			C92-0566-05	CHIP-TAN 10UF 6.3WV	
C214			C93-0603-05	CHIP C 1000PF K		C556			CK73GB1C333K	CHIP C 0.033UF K	
C215			C93-0560-05	CHIP C 10PF B		C557			CK73GB1C104K	CHIP C 0.10UF K	
C216			CC73GCH1H0R5B	CHIP C 0.5PF B		C558			CC73GCH1H101J	CHIP C 100PF J	
C217			CC73GCH1H010B	CHIP C 1.0PF B		C559			CK73GB1H102K	CHIP C 1000PF K	
C218			CK73GB1C104K	CHIP C 0.10UF K		C560-563			CK73GB1C104K	CHIP C 0.10UF K	
C219			C93-0563-05	CHIP C 18PF J		C564			C92-0507-05	CHIP-TAN 4.7UF 6.3WV	
C220			CK73GB1H102K	CHIP C 1000PF K		C565,566			CK73GB1H472K	CHIP C 4700PF K	
C221			C93-0562-05	CHIP C 15PF J		C567			CC73GCH1H101J	CHIP C 100PF J	
C222			CC73GCH1H0R5B	CHIP C 0.5PF B		C568			C92-0507-05	CHIP-TAN 4.7UF 6.3WV	
C223			CC73GCH1H020B	CHIP C 2.0PF B		C569			CK73GB1E223K	CHIP C 0.022UF K	
C224			CK73GB1H102K	CHIP C 1000PF K		C570			CK73FF1C105Z	CHIP C 1.0UF Z	
C230,231			CK73GB1C104K	CHIP C 0.10UF K		C571,572			CK73GB1H102K	CHIP C 1000PF K	
C241			CM73F2H040D	CHIP C 4.0PF D		C573			CK73FB1H563K	CHIP C 0.056UF K	
C248			C92-0585-05	CHIP-TAN 4.7UF 16WV		C574			CC73GCH1H470J	CHIP C 47PF J	
C259			CK73GB1C104K	CHIP C 0.10UF K		C575			CK73GB1H102K	CHIP C 1000PF K	
C270			CK73GB1C104K	CHIP C 0.10UF K		C576			CK73GB1C104K	CHIP C 0.10UF K	
C271			CK73GB1H472K	CHIP C 4700PF K		C577,578			CK73GB1H103K	CHIP C 0.010UF K	
C274			CK73GB1C104K	CHIP C 0.10UF K		C579			CC73GCH1H101J	CHIP C 100PF J	
C501			CK73GB1H102K	CHIP C 1000PF K		C580			CK73GB1C104K	CHIP C 0.10UF K	
C502			CK73GB1C104K	CHIP C 0.10UF K		C581			CK73GB1H102K	CHIP C 1000PF K	
C503			CK73GB1H471K	CHIP C 470PF K		C582			CK73GB1C473K	CHIP C 0.047UF K	
C504			CK73GB1H103K	CHIP C 0.010UF K		C583			C92-0566-05	CHIP-TAN 10UF 6.3WV	
C505			CK73GB1C104K	CHIP C 0.10UF K		C584			CK73GB1H103K	CHIP C 0.010UF K	
C506,507			CK73GB1H103K	CHIP C 0.010UF K		C585			CC73GCH1H101J	CHIP C 100PF J	
C508			CK73GB1H472K	CHIP C 4700PF K		C587			CK73GB1H103K	CHIP C 0.010UF K	
C509			C92-0507-05	CHIP-TAN 4.7UF 6.3WV		C589			C92-0606-05	CHIP-TAN 4.7UF 10WV	
C514			CC73GCH1H680J	CHIP C 68PF J		C590			CK73GB1H102K	CHIP C 1000PF K	
C515			CK73GB1H103K	CHIP C 0.010UF K		C594			CK73GB1H102K	CHIP C 1000PF K	
C516			CC73GCH1H270J	CHIP C 27PF J		C596			CK73GB1H102K	CHIP C 1000PF K	
C517			CK73GB1C683K	CHIP C 0.068UF K		C597			CC73GCH1H101J	CHIP C 100PF J	
C518			CC73GCH1H270J	CHIP C 27PF J		C598			CK73GB1H102K	CHIP C 1000PF K	
C519			CK73GB1H102K	CHIP C 1000PF K		C599			CC73GCH1H101J	CHIP C 100PF J	
C520			CK73GB1C104K	CHIP C 0.10UF K		C600			CK73GB1H102K	CHIP C 1000PF K	
C521			CK73GB1H102K	CHIP C 1000PF K		C601,602			CC73GCH1H101J	CHIP C 100PF J	

PARTS LIST

TX-RX UNIT (X57-5950-XX)

Ref. No.	Address	New parts	Parts No.	Description	Desti- nation	Ref. No.	Address	New parts	Parts No.	Description	Desti- nation
C603			CK73GB1H102K	CHIP C 1000PF K		L503,504			L92-0138-05	FERRITE CHIP	
C604-606			CC73GCH1H101J	CHIP C 100PF J		L510			L92-0138-05	FERRITE CHIP	
C608-610			CC73GCH1H101J	CHIP C 100PF J		X1			L77-1826-05	TCXO (16.8M)	
C611,612			CK73GB1H471K	CHIP C 470PF K		X501			L77-1708-05	CRYSTAL RESONATOR (3.579545MHZ)	
C613			CC73GCH1H101J	CHIP C 100PF J		X502			L78-0462-05	RESONATOR (9.8304M/8*2.5)	
C615			CK73GB1H471K	CHIP C 470PF K		XF1			L71-0551-15	MCF (49.95MHZ/5.0K)	
C616			CC73GCH1H101J	CHIP C 100PF J		CP501-505			R90-0741-05	MULTIPLE RESISTOR	
C618			CK73GB1H102K	CHIP C 1000PF K		CP508-514			R90-0741-05	MULTIPLE RESISTOR	
C620			CK73GB1H471K	CHIP C 470PF K		CP516-524			R90-0741-05	MULTIPLE RESISTOR	
C621			CK73GB1H102K	CHIP C 1000PF K		CP526,527			R90-0741-05	MULTIPLE RESISTOR	
C623			CK73GB1H102K	CHIP C 1000PF K		CP529-536			R90-0741-05	MULTIPLE RESISTOR	
C626			CK73GB1C104K	CHIP C 0.10UF K		CP538			R90-0741-05	MULTIPLE RESISTOR	
C628			CK73GB1C104K	CHIP C 0.10UF K		CP539			R90-0724-05	MULTI-COMP 1K X4	
C629			CC73GCH1H470J	CHIP C 47PF J		R1			R92-1252-05	CHIP R 0 OHM	
C630			C92-0507-05	CHIP-TAN 4.7UF 6.3WV		R2			RK73GB1J102J	CHIP R 1.0K J 1/16W	
C631			CK73GB1H103K	CHIP C 0.010UF K		R3			R92-1252-05	CHIP R 0 OHM	
C632			CK73FF1C105Z	CHIP C 1.0UF Z		R4			RK73GB1J333J	CHIP R 33K J 1/16W	
C633			CK73GB1C104K	CHIP C 0.10UF K		R6			R92-1252-05	CHIP R 0 OHM	
C720			C92-0566-05	CHIP-TAN 10UF 6.3WV		R7,8			RK73GB1J102J	CHIP R 1.0K J 1/16W	
CN1			E40-6047-05	PIN ASSY		R9,10			R92-1252-05	CHIP R 0 OHM	
CN2			E40-6021-05	FLAT CABLE CONNECTOR		R11			RK73GB1J102J	CHIP R 1.0K J 1/16W	
CN3			E40-3247-05	PIN ASSY		R12			RK73GB1J104J	CHIP R 100K J 1/16W	
CN4			E40-5737-05	PIN ASSY		R13			RK73GB1J473J	CHIP R 47K J 1/16W	
CN5			E40-5738-05	PIN ASSY		R14			RK73GB1J474J	CHIP R 470K J 1/16W	
CN7			E40-3247-05	PIN ASSY		R15			RK73GB1J104J	CHIP R 100K J 1/16W	
CN8			E40-3246-05	PIN ASSY		R16			RK73GB1J220J	CHIP R 22 J 1/16W	
CN501			E40-6021-05	FLAT CABLE CONNECTOR		R17			RK73GB1J154J	CHIP R 150K J 1/16W	
J1			E11-0442-05	3.5D PHONE JACK (3P)		R18			RK73GB1J104J	CHIP R 100K J 1/16W	
J501			E08-0877-05	MODULAR JACK		R19			RK73GB1J392J	CHIP R 3.9K J 1/16W	
F1			F53-0108-05	FUSE		R20			RK73GB1J224J	CHIP R 220K J 1/16W	
-			J31-0543-05	COLLAR (LH-5-1.5)		R21			RK73GB1J102J	CHIP R 1.0K J 1/16W	
CF1			L72-0959-05	CERAMIC FILTER		R22			RK73GB1J474J	CHIP R 470K J 1/16W	
CF2			L72-0973-05	CERAMIC FILTER		R23			RK73GB1J223J	CHIP R 22K J 1/16W	
L1			L40-1005-34	SMALL FIXED INDUCTOR (10UH/8)		R24			RK73GB1J183J	CHIP R 18K J 1/16W	
L2-4			L40-3381-86	SMALL FIXED INDUCTOR (0.33U/160)		R25,26			R92-1252-05	CHIP R 0 OHM	
L5			L34-4530-05	COIL		R29			R92-1252-05	CHIP R 0 OHM	
L6			L40-1581-86	SMALL FIXED INDUCTOR (0.15U/160)		R30			RK73GB1J103J	CHIP R 10K J 1/16W	
L7			L40-4785-85	SMALL FIXED INDUCTOR (0.47U/252)		R31			RK73GB1J152J	CHIP R 1.5K J 1/16W	
L8			L40-8285-85	SMALL FIXED INDUCTOR (0.82U/252)		R32			RK73GB1J103J	CHIP R 10K J 1/16W	
L9			L40-1085-77	SMALL FIXED INDUCTOR (100NH/160)		R33			R92-1252-05	CHIP R 0 OHM	
L10			L40-6875-77	SMALL FIXED INDUCTOR (68NH/1608)		R34			RK73GB1J104J	CHIP R 100K J 1/16W	
L11			L34-4472-05	COIL		R35			RK73GB1J224J	CHIP R 220K J 1/16W	
L12			L40-3375-34	SMALL FIXED INDUCTOR (33NH/8)		R36			RK73GB1J223J	CHIP R 22K J 1/16W	
L13			L34-4473-05	COIL		R37			RK73GB1J220J	CHIP R 22 J 1/16W	
L14			L40-6875-34	SMALL FIXED INDUCTOR (68NH/8)		R38-40			RK73GB1J103J	CHIP R 10K J 1/16W	
L15			L34-4473-05	COIL		R41			RK73GB1J224J	CHIP R 220K J 1/16W	
L17			L92-0179-05	FERRITE CHIP		R42			RK73GB1J473J	CHIP R 47K J 1/16W	
L18			L34-4472-05	COIL		R43			RK73GB1J683J	CHIP R 68K J 1/16W	
L20			L34-4481-05	AIR-CORE COIL		R44			RK73GB1J153J	CHIP R 15K J 1/16W	
L21			L34-4478-05	AIR-CORE COIL		R46			RK73GB1J223J	CHIP R 22K J 1/16W	
L22			L34-4480-05	AIR-CORE COIL		R47			RK73GB1J101J	CHIP R 100 J 1/16W	
L23		*	L34-4655-05	AIR-CORE COIL		R48			RK73GB1J184J	CHIP R 180K J 1/16W	
L24			L34-4481-05	AIR-CORE COIL		R49			RK73GB1J152J	CHIP R 1.5K J 1/16W	
L25			L34-4478-05	AIR-CORE COIL		R50			RK73GB1J473J	CHIP R 47K J 1/16W	
L26			L40-4775-77	SMALL FIXED INDUCTOR (47NH/1608)		R51-53			RK73GB1J102J	CHIP R 1.0K J 1/16W	
L27			L40-1581-86	SMALL FIXED INDUCTOR (0.15U/160)		R54			R92-1252-05	CHIP R 0 OHM	
L33,34			L92-0179-05	FERRITE CHIP		R55			RK73GB1J104J	CHIP R 100K J 1/16W	
L501			L92-0138-05	FERRITE CHIP		R56			RK73GB1J101J	CHIP R 100 J 1/16W	
						R57			RK73GB1J471J	CHIP R 470 J 1/16W	

TK-760HG : K,M
TK-762HG : K

TK-760HG/762HG

PARTS LIST

TX-RX UNIT (X57-5950-XX)

Ref. No.	Address	New parts	Parts No.	Description	Destination	Ref. No.	Address	New parts	Parts No.	Description	Destination
R58			RK73GB1J332J	CHIP R 3.3K J 1/16W		R125			RK73GB1J333J	CHIP R 33K J 1/16W	
R59			RK73GB1J472J	CHIP R 4.7K J 1/16W		R126			RK73GB1J471J	CHIP R 470 J 1/16W	
R60			RK73GB1J334J	CHIP R 330K J 1/16W		R127			RK73GB1J222J	CHIP R 2.2K J 1/16W	
R61			RK73GB1J102J	CHIP R 1.0K J 1/16W		R128			RK73GB1J220J	CHIP R 22 J 1/16W	
R62			RK73GB1J224J	CHIP R 220K J 1/16W		R129			RK73GB1J152J	CHIP R 1.5K J 1/16W	
R63			RK73GB1J474J	CHIP R 470K J 1/16W		R130			RK73GB1J103J	CHIP R 10K J 1/16W	
R64			RK73GB1J223J	CHIP R 22K J 1/16W		R131			RK73GB1J681J	CHIP R 680 J 1/16W	
R65			RK73GB1J183J	CHIP R 18K J 1/16W		R132			RK73FB2A470J	CHIP R 47 J 1/10W	
R66			RK73GB1J101J	CHIP R 100 J 1/16W		R133-136			R92-1252-05	CHIP R 0 OHM	
R67			RK73GB1J472J	CHIP R 4.7K J 1/16W		R137			RK73FB2A100J	CHIP R 10 J 1/10W	
R68			RK73GB1J182J	CHIP R 1.8K J 1/16W		R138			RK73GB1J102J	CHIP R 1.0K J 1/16W	
R69			R92-1252-05	CHIP R 0 OHM		R139			RK73GB1J103J	CHIP R 10K J 1/16W	
R70			RK73GB1J562J	CHIP R 5.6K J 1/16W		R140			RK73FB2A2R2J	CHIP R 2.2 J 1/10W	
R71			RK73GB1J103J	CHIP R 10K J 1/16W		R141			RK73GB1J103J	CHIP R 10K J 1/16W	
R72			R92-1252-05	CHIP R 0 OHM		R142			RK73GB1J473J	CHIP R 47K J 1/16W	
R73			RK73GB1J223J	CHIP R 22K J 1/16W		R144			R92-0685-05	CHIP R 22 J 1/2W	
R75			RK73GB1J471J	CHIP R 470 J 1/16W		R145,146			RK73GB1J473J	CHIP R 47K J 1/16W	
R76			RK73GB1J223J	CHIP R 22K J 1/16W		R147			RK73GB1J102J	CHIP R 1.0K J 1/16W	
R77			RK73GB1J154J	CHIP R 150K J 1/16W		R148			RK73GB1J104J	CHIP R 100K J 1/16W	
R78			RK73GB1J104J	CHIP R 100K J 1/16W		R149			RK73GB1J470J	CHIP R 47 J 1/16W	
R79			RK73GB1J681J	CHIP R 680 J 1/16W		R150			RK73GB1J104J	CHIP R 100K J 1/16W	
R80			RK73GB1J471J	CHIP R 470 J 1/16W		R151			RK73FB2A821J	CHIP R 820 J 1/10W	
R81			RK73GB1J101J	CHIP R 100 J 1/16W		R152			R92-1252-05	CHIP R 0 OHM	
R82			RK73GB1J152J	CHIP R 1.5K J 1/16W		R153			R92-0670-05	CHIP R 0 OHM	
R83			RK73GB1J684J	CHIP R 680K J 1/16W		R154			RK73GB1J152J	CHIP R 1.5K J 1/16W	
R85			RK73GB1J272J	CHIP R 2.7K J 1/16W		R155			RK73FB2A5R6J	CHIP R 5.6 J 1/10W	
R86			RK73GB1J122J	CHIP R 1.2K J 1/16W		R157			RK73GB1J271J	CHIP R 270 J 1/16W	
R87			RK73GB1J102J	CHIP R 1.0K J 1/16W		R159			RK73GB1J473J	CHIP R 47K J 1/16W	
R88			RK73GB1J271J	CHIP R 270 J 1/16W		R160			RK73FB2A821J	CHIP R 820 J 1/10W	
R89			RK73GB1J102J	CHIP R 1.0K J 1/16W		R161			RK73GB1J334J	CHIP R 330K J 1/16W	
R90,91			RK73GB1J104J	CHIP R 100K J 1/16W		R162			RK73GB1J333J	CHIP R 33K J 1/16W	
R92			R92-1252-05	CHIP R 0 OHM		R163			R92-0670-05	CHIP R 0 OHM	
R93			RK73GB1J152J	CHIP R 1.5K J 1/16W		R164			R92-1213-05	CHIP R 100 J 1/2W	
R94			R92-1252-05	CHIP R 0 OHM		R166			RK73GB1J221J	CHIP R 220 J 1/16W	
R95			RK73GB1J103J	CHIP R 10K J 1/16W		R167			R92-1252-05	CHIP R 0 OHM	
R97			RK73GB1J473J	CHIP R 47K J 1/16W		R168,169			RK73GB1J103J	CHIP R 10K J 1/16W	
R98			RK73GB1J223J	CHIP R 22K J 1/16W		R170			RK73FB2A222J	CHIP R 2.2K J 1/10W	
R99			RK73GB1J271J	CHIP R 270 J 1/16W		R171			RK73GB1J153J	CHIP R 15K J 1/16W	
R100,101			RK73GB1J101J	CHIP R 100 J 1/16W		R172			RK73GB1J334J	CHIP R 330K J 1/16W	
R103			RK73GB1J472J	CHIP R 4.7K J 1/16W		R173			RK73GB1J332J	CHIP R 3.3K J 1/16W	
R105			RK73GB1J470J	CHIP R 47 J 1/16W		R174			RK73GB1J103J	CHIP R 10K J 1/16W	
R106			RK73GB1J222J	CHIP R 2.2K J 1/16W		R175			RK73GB1J682J	CHIP R 6.8K J 1/16W	
R107			RK73GB1J473J	CHIP R 47K J 1/16W		R176			RK73GB1J104J	CHIP R 100K J 1/16W	
R108			RK73GB1J181J	CHIP R 180 J 1/16W		R177			R92-1214-05	CHIP R 120 J 1/2W	
R109			RK73GB1J102J	CHIP R 1.0K J 1/16W		R178			RK73GB1J822J	CHIP R 8.2K J 1/16W	
R110			RK73GB1J220J	CHIP R 22 J 1/16W		R179			RK73GB1J393J	CHIP R 39K J 1/16W	
R111			RK73GB1J330J	CHIP R 33 J 1/16W		R180			RK73GB1J332J	CHIP R 3.3K J 1/16W	
R112			RK73GB1J333J	CHIP R 33K J 1/16W		R181			RK73GB1J562J	CHIP R 5.6K J 1/16W	
R113			RK73GB1J181J	CHIP R 180 J 1/16W		R182			RK73GB1J102J	CHIP R 1.0K J 1/16W	
R114			RK73GB1J472J	CHIP R 4.7K J 1/16W		R183			R92-0670-05	CHIP R 0 OHM	
R115			RK73GB1J103J	CHIP R 10K J 1/16W		R184			R92-1252-05	CHIP R 0 OHM	
R116			RK73GB1J473J	CHIP R 47K J 1/16W		R185			RK73GB1J473J	CHIP R 47K J 1/16W	
R117			RK73GB1J222J	CHIP R 2.2K J 1/16W		R186			R92-1252-05	CHIP R 0 OHM	
R118			RK73GB1J102J	CHIP R 1.0K J 1/16W		R188			RK73GB1J102J	CHIP R 1.0K J 1/16W	
R119			RK73GB1J103J	CHIP R 10K J 1/16W		R189			RK73GB1J101J	CHIP R 100 J 1/16W	
R120			R92-1252-05	CHIP R 0 OHM		R190			RK73GB1J473J	CHIP R 47K J 1/16W	
R121			RK73GB1J100J	CHIP R 10 J 1/16W		R192			RK73GB1J103J	CHIP R 10K J 1/16W	
R122			R92-1215-05	CHIP R 470 J 1/2W		R193			RK73GB1J102J	CHIP R 1.0K J 1/16W	
R123			RK73GB1J472J	CHIP R 4.7K J 1/16W		R196			RK73GB1J332J	CHIP R 3.3K J 1/16W	
R124			RK73GB1J103J	CHIP R 10K J 1/16W		R197			R92-1252-05	CHIP R 0 OHM	

PARTS LIST

TX-RX UNIT (X57-5950-XX)

Ref. No.	Address	New parts	Parts No.	Description	Destination	Ref. No.	Address	New parts	Parts No.	Description	Destination
R201,202			R92-1252-05	CHIP R 0 OHM		R569			RK73GB1J102J	CHIP R 1.0K J 1/16W	
R208			R92-0670-05	CHIP R 0 OHM		R570			RK73GB1J155J	CHIP R 1.5M J 1/16W	
R210			R92-1252-05	CHIP R 0 OHM		R571			RN73GH1J682D	CHIP R 6.8K D 1/16W	
R219-221			R92-1252-05	CHIP R 0 OHM		R572			RK73GB1J473J	CHIP R 47K J 1/16W	
R501			RK73GB1J473J	CHIP R 47K J 1/16W		R573			RK73GB1J474J	CHIP R 470K J 1/16W	
R502			RK73GB1J472J	CHIP R 4.7K J 1/16W		R574			RN73GH1J683D	CHIP R 68K D 1/16W	
R503			RK73GB1J102J	CHIP R 1.0K J 1/16W		R575			RK73GB1J101J	CHIP R 100 J 1/16W	
R504-507			RK73GB1J473J	CHIP R 47K J 1/16W		R576			RK73GB1J224J	CHIP R 220K J 1/16W	
R508			RK73GB1J102J	CHIP R 1.0K J 1/16W		R577			RK73GB1J103J	CHIP R 10K J 1/16W	
R509,510			R92-1252-05	CHIP R 0 OHM		R578			RN73GH1J682D	CHIP R 6.8K D 1/16W	
R511			RK73GB1J473J	CHIP R 47K J 1/16W		R579			RK73GB1J223J	CHIP R 22K J 1/16W	
R512			RK73GB1J104J	CHIP R 100K J 1/16W		R580			R92-1252-05	CHIP R 0 OHM	
R513			RK73GB1J223J	CHIP R 22K J 1/16W		R581			RK73GB1J394J	CHIP R 390K J 1/16W	
R514			RK73GB1J473J	CHIP R 47K J 1/16W		R582			RK73GB1J273J	CHIP R 27K J 1/16W	
R515,516			RK73GB1J223J	CHIP R 22K J 1/16W		R583			RK73GB1J470J	CHIP R 47 J 1/16W	
R517			RK73GB1J473J	CHIP R 47K J 1/16W		R584			RK73GB1J220J	CHIP R 22 J 1/16W	
R518			RK73GB1J472J	CHIP R 4.7K J 1/16W		R585			R92-1252-05	CHIP R 0 OHM	
R519			RK73GB1J103J	CHIP R 10K J 1/16W		R586			RK73GB1J473J	CHIP R 47K J 1/16W	
R520-523			RK73GB1J102J	CHIP R 1.0K J 1/16W		R587			R92-1252-05	CHIP R 0 OHM	
R526			RK73GB1J154J	CHIP R 150K J 1/16W		R588			RK73GB1J103J	CHIP R 10K J 1/16W	
R527			R92-1252-05	CHIP R 0 OHM		R590			RK73GB1J333J	CHIP R 33K J 1/16W	
R528			RK73GB1J472J	CHIP R 4.7K J 1/16W		R591			R92-1252-05	CHIP R 0 OHM	
R529			RK73GB1J154J	CHIP R 150K J 1/16W		R592			RK73GB1J103J	CHIP R 10K J 1/16W	
R530			RK73GB1J473J	CHIP R 47K J 1/16W		R593			RK73GB1J181J	CHIP R 180 J 1/16W	
R531			RK73GB1J394J	CHIP R 390K J 1/16W		R594			RK73GB1J392J	CHIP R 3.9K J 1/16W	
R532			RK73GB1J103J	CHIP R 10K J 1/16W		R595			RK73GB1J181J	CHIP R 180 J 1/16W	
R533			RK73GB1J104J	CHIP R 100K J 1/16W		R598			RK73GB1J473J	CHIP R 47K J 1/16W	
R534			RK73GB1J823J	CHIP R 82K J 1/16W		R599			RK73GB1J102J	CHIP R 1.0K J 1/16W	
R535			RK73GB1J103J	CHIP R 10K J 1/16W		R600			R92-1252-05	CHIP R 0 OHM	
R536			RK73GB1J153J	CHIP R 15K J 1/16W		R602			RK73GB1J473J	CHIP R 47K J 1/16W	
R537			RK73GB1J105J	CHIP R 1.0M J 1/16W		R603			RK73GB1J101J	CHIP R 100 J 1/16W	
R538			RK73GB1J103J	CHIP R 10K J 1/16W		R604			RK73GB1J472J	CHIP R 4.7K J 1/16W	
R539			R92-1252-05	CHIP R 0 OHM		R605			RK73GB1J332J	CHIP R 3.3K J 1/16W	
R540			RK73GB1J223J	CHIP R 22K J 1/16W		R606			RK73GB1J102J	CHIP R 1.0K J 1/16W	
R541			RK73GB1J184J	CHIP R 180K J 1/16W		R607			RK73GB1J101J	CHIP R 100 J 1/16W	
R542			RK73GB1J102J	CHIP R 1.0K J 1/16W		R608			RK73GB1J122J	CHIP R 1.2K J 1/16W	
R543			RK73GB1J184J	CHIP R 180K J 1/16W		R610,611			RK73GB1J473J	CHIP R 47K J 1/16W	
R544			RK73GB1J103J	CHIP R 10K J 1/16W		R612			R92-1201-05	CHIP R 220 1/2W	
R545			RK73GB1J472J	CHIP R 4.7K J 1/16W		R613			RK73GB1J103J	CHIP R 10K J 1/16W	
R546			RN73GH1J913D	CHIP R 91K D 1/16W		R614,615			R92-1252-05	CHIP R 0 OHM	
R547			RK73GB1J103J	CHIP R 10K J 1/16W		R616			RK73GB1J474J	CHIP R 470K J 1/16W	
R548			RN73GH1J333D	CHIP R 33K D 1/16W		R617			RK73GB1J472J	CHIP R 4.7K J 1/16W	
R549			RN73GH1J913D	CHIP R 91K D 1/16W		R618			RK73GB1J683J	CHIP R 68K J 1/16W	
R550			RN73GH1J683D	CHIP R 68K D 1/16W		R619			RK73GB1J104J	CHIP R 100K J 1/16W	
R551,552			RK73GB1J223J	CHIP R 22K J 1/16W		R620,621			RK73GB1J103J	CHIP R 10K J 1/16W	
R553			RK73GB1J105J	CHIP R 1.0M J 1/16W		R622			RK73GB1J473J	CHIP R 47K J 1/16W	
R554			RN73GH1J913D	CHIP R 91K D 1/16W		R630			R92-1252-05	CHIP R 0 OHM	
R555,556			RK73GB1J104J	CHIP R 100K J 1/16W		R701			RK73GB1J473J	CHIP R 47K J 1/16W	
R557			RN73GH1J274D	CHIP R 270K D 1/16W		R704			RK73GB1J223J	CHIP R 22K J 1/16W	
R558			R92-1252-05	CHIP R 0 OHM		R720			R92-1252-05	CHIP R 0 OHM	
R559			RK73GB1J333J	CHIP R 33K J 1/16W		R722			R92-1252-05	CHIP R 0 OHM	
R560			RK73GB1J474J	CHIP R 470K J 1/16W		D1			HSB123	DIODE	
R561			RK73GB1J333J	CHIP R 33K J 1/16W		D2			02DZ20(Y,Z)	ZENER DIODE	
R562			R92-1252-05	CHIP R 0 OHM		D3-5			HSB123	DIODE	
R563			RK73GB1J473J	CHIP R 47K J 1/16W		D8			DAN235K	DIODE	
R564			RK73GB1J223J	CHIP R 22K J 1/16W		D9			1SS355	DIODE	
R565			R92-1252-05	CHIP R 0 OHM		D10			DAN235K	DIODE	
R566			RK73GB1J563J	CHIP R 56K J 1/16W		D11			MA742	DIODE	
R567			RK73GB1J334J	CHIP R 330K J 1/16W		D14			1SS355	DIODE	
R568			RK73GB1J473J	CHIP R 47K J 1/16W							

PARTS LIST

PLL/VCO (X58-4670-10)

Ref. No.	Address	New parts	Parts No.	Description	Destination	Ref. No.	Address	New parts	Parts No.	Description	Destination
TC109			C05-0384-05	CERAMIC TRIMMER CAP (10P/8)							
CN101			E40-6019-05	PIN ASSY							
-			F10-2279-04	SHIELDING CASE							
L101-104			L40-1595-34	SMALL FIXED INDUCTOR (1.5UH/8)							
L105			L40-3975-34	SMALL FIXED INDUCTOR (39NH/8)							
L106			L40-2775-34	SMALL FIXED INDUCTOR (27NH/8)							
L107,108			L40-1098-76	SMALL FIXED INDUCTOR (1UH/2522)							
L109,110			L40-1595-34	SMALL FIXED INDUCTOR (1.5UH/8)							
L111			L34-4547-05	AIR-CORE COIL							
L116			L34-4549-05	AIR-CORE COIL							
R101,102			RK73GB1J101J	CHIP R 100 J 1/16W							
R103			RK73GB1J102J	CHIP R 1.0K J 1/16W							
R104			RK73GB1J470J	CHIP R 47 J 1/16W							
R105			RK73GB1J154J	CHIP R 150K J 1/16W							
R106			RK73GB1J470J	CHIP R 47 J 1/16W							
R107-110			RK73GB1J103J	CHIP R 10K J 1/16W							
R111			RK73GB1J331J	CHIP R 330 J 1/16W							
R112,113			RK73GB1J181J	CHIP R 180 J 1/16W							
R114			RK73GB1J470J	CHIP R 47 J 1/16W							
R115			RK73GB1J103J	CHIP R 10K J 1/16W							
R116			RK73GB1J392J	CHIP R 3.9K J 1/16W							
R117			RK73GB1J101J	CHIP R 100 J 1/16W							
D101-104			1SV283	VARIABLE CAPACITANCE DIODE							
D105			HVU363A	DIODE							
Q101			2SK508NV(K52)	FET							
Q102			DTC114EUA	DIGITAL TRANSISTOR							
Q103			2SK508NV(K52)	FET							
Q104,105			2SC4081	TRANSISTOR							
Q106			2SC4226(R24)	TRANSISTOR							