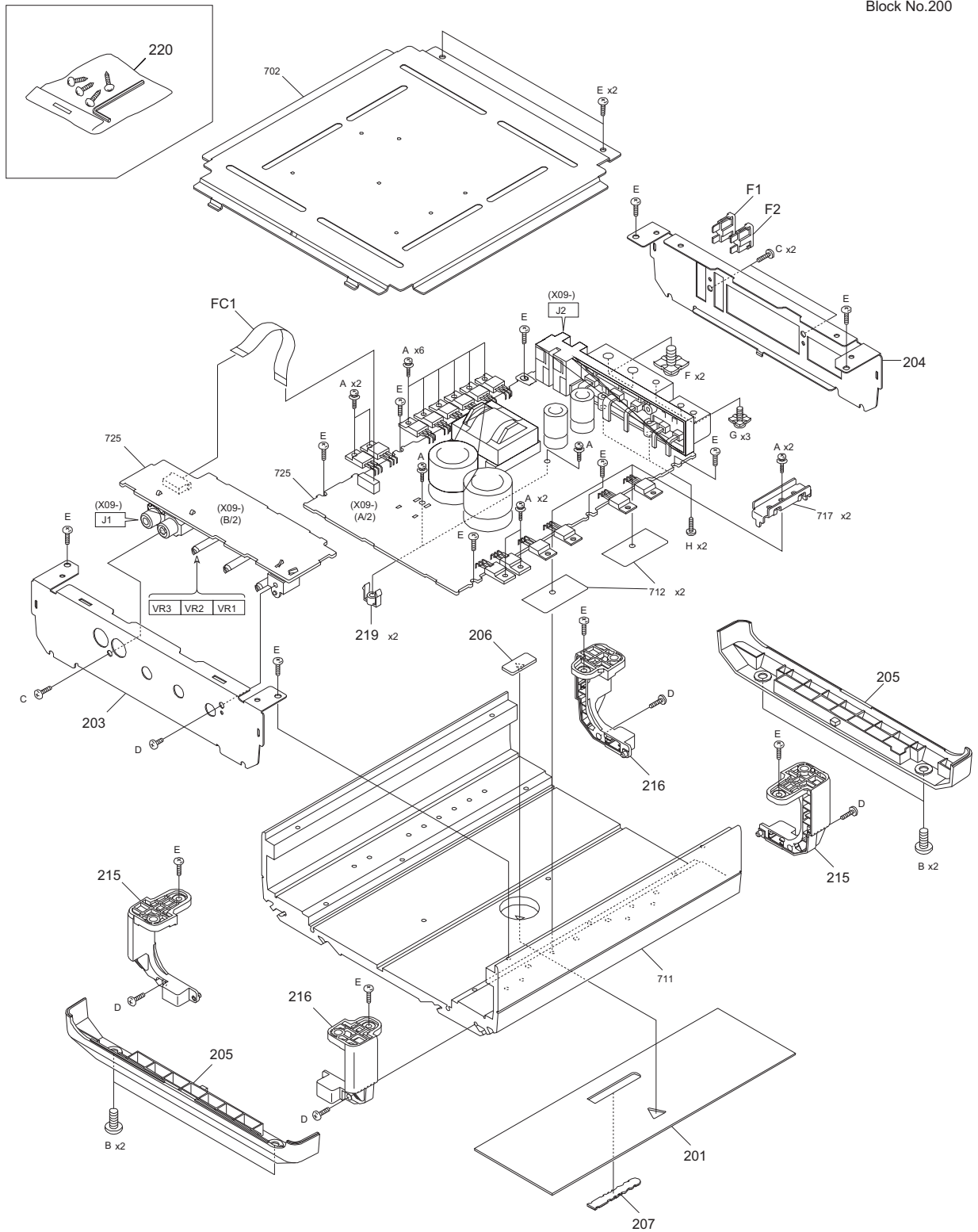


EXPLODED VIEW

Block No.200



MODEL	MARK
X500-1	

Safe	Symbol No.	Parts No.	Parts Name	Description	QTY	Local
EXPLODED VIEW <200>						
	F1	F52-0045-05	CARTRIDGE FUSE	30A	1	
	F2	F52-0045-05	CARTRIDGE FUSE	30A	1	
	FC1	E39-0968-05	FLAT CABLE		1	
	A	N09-6365-05	TAPTITE SCREW		14	
	B	N09-6897-05	DRESSED SCREW		4	
	C	N80-3010-43	TAPTITE SCREW	PAN HEAD	3	
	D	N89-3008-43	TAPTITE SCREW	BINDING HEAD	5	
	E	N89-3008-48	TAPTITE SCREW	BINDING HEAD	16	
	F	N09-6393-08	SCREW	M6 Ni	2	
	G	N09-4215-08	SCREW	M4 Ni	3	
	H	N09-6447-05	TAPTITE SCREW	3x10mm	2	
	201	A21-6838-02	DRESSING PANEL		1	
	203	A64-5298-01	PANEL (FRONT)		1	
	204	A64-5299-01	PANEL (REAR)		1	
	205	B07-3366-02	ESCUTCHEON		2	
	206	B19-2526-04	LIGHTING BOARD		1	
	207	B43-1553-04	BADGE		1	
	215	J02-1213-02	FOOT (L)		2	
	216	J02-1214-02	FOOT (R)		2	
	219	J30-1066-14	SPACER		2	
	220	N99-1820-05	WRENCH KEY SET		1	
	-	B64-4915-00	INSTRUCTION MANUAL	ENG FRE SPA	1	
	-	H54-5149-03	ITEM CARTON CASE		1	
AUDIO UNIT (X09-9090-10) <X09>						
	IC1	NJM4565E-ZB	ANALOGUE IC		1	
	IC2	NJM4565E-ZB	ANALOGUE IC		1	
	IC3	NJM4565E-ZB	ANALOGUE IC		1	
	IC4	NJM4565E-ZB	ANALOGUE IC		1	
	IC5	NJM4565E-ZB	ANALOGUE IC		1	
	IC6	BA2903F	ANALOGUE IC		1	
	IC7	TC74HC00AFN-F	MOS-IC		1	
	IC8	74HC3GU04DP	MOS-IC		1	
	IC9	BA2903F	ANALOGUE IC		1	
	IC10	TL494IDR	ANALOGUE IC		1	
	IC11	BA4560RF	ANALOGUE IC		1	
	IC12	BA2903F	ANALOGUE IC		1	
	IC13	BA4560RF	ANALOGUE IC		1	
	Q1	2SC4154(F)	TRANSISTOR		1	
	Q2	2SB1241	TRANSISTOR		1	
	Q3	2SC4154(F)	TRANSISTOR		1	
	Q4	RT1N141M-T111	TRANSISTOR		1	
	Q5	RT1P141M-T111	TRANSISTOR		1	
	Q9	2SC4154(F)	TRANSISTOR		1	
	Q10	ISA1602AM1(F)	TRANSISTOR		1	
	Q11	2SA1577	TRANSISTOR		1	
	Q12	2SA1577	TRANSISTOR		1	
	Q13	STP60NF06FP	FET		1	
	Q14	STP60NF06FP	FET		1	
	Q15	STP60NF06FP	FET		1	
	Q16	STP60NF06FP	FET		1	
	Q17	STP60NF06FP	FET		1	
	Q18	STP60NF06FP	FET		1	
	Q19	KTC3200-P	TRANSISTOR		1	
	Q20	KTA1268-P	TRANSISTOR		1	
	Q21	2SC4883ANF	TRANSISTOR		1	
	Q22	2SA1859ANF	TRANSISTOR		1	
	Q23	ISA1602AM1(F)	TRANSISTOR		1	
	Q24	ISA1602AM1(F)	TRANSISTOR		1	
	Q25	2SC1627A-F	TRANSISTOR		1	
	Q27	2SC4154(F)	TRANSISTOR		1	
	Q28	2SC4497-F	TRANSISTOR		1	
	Q29	2SC4497-F	TRANSISTOR		1	
	Q30	2SA1721-F	TRANSISTOR		1	
	Q31	2SA1721-F	TRANSISTOR		1	
	Q32	2SA1163-F	TRANSISTOR		1	
	Q33	2SA1163-F	TRANSISTOR		1	
	Q34	2SC2713-F	TRANSISTOR		1	
	Q35	ISA1602AM1(F)	TRANSISTOR		1	
	Q36	2SC4154(F)	TRANSISTOR		1	
	Q37	2SC4154(F)	TRANSISTOR		1	
	Q38	2SC4154(F)	TRANSISTOR		1	
	Q39	RT1N141M-T111	TRANSISTOR		1	
	Q40	RT1N141M-T111	TRANSISTOR		1	
	Q41	RT1P141M-T111	TRANSISTOR		1	
	Q42	2SC4154(F)	TRANSISTOR		1	
	Q43	RT1N141M-T111	TRANSISTOR		1	
	Q44	RT1N141M-T111	TRANSISTOR		1	
	Q201	RT1P141M-T111	TRANSISTOR		1	
	Q202	2SC4154(F)	TRANSISTOR		1	
	Q203	ISA1602AM1(F)	TRANSISTOR		1	
	Q204	2SA1689(E,F)	TRANSISTOR		1	
	Q205	2SC4449(E,F)	TRANSISTOR		1	
	Q206	2SA1370	TRANSISTOR		1	
	Q207	2SA1689(E,F)	TRANSISTOR		1	
	Q208	2SC3415S	TRANSISTOR		1	
	Q209	2SC3902	TRANSISTOR		1	
	Q210	2SC3415S	TRANSISTOR		1	
	Q211	2SB1427	TRANSISTOR		1	
	Q212	2SC3902	TRANSISTOR		1	
	Q213	2SB1427	TRANSISTOR		1	

MODEL	MARK
X500-1	

Safe	Symbol No.	Parts No.	Parts Name	Description	QTY	Local
	Q214	IRFB31N20DPBF	FET		1	
	Q215	IRFB31N20DPBF	FET		1	
	Q216	IRFB31N20DPBF	FET		1	
	Q217	IRFB31N20DPBF	FET		1	
	D1	RKZ6.8KG(B2)	ZENER DIODE		1	
	D2	RKZ15KG(B2)	ZENER DIODE		1	
	D3	B30-1743-05	LED	RED	1	
	D4	LM1MA142WK-G	DIODE		1	
	D5	HSU119TRF-E	DIODE		1	
	D6	HSU119TRF-E	DIODE		1	
	D7	FCH10A20	DIODE		1	
	D8	FRH10A20	DIODE		1	
	D9	RKZ16KG(B2)	ZENER DIODE		1	
	D10	RKZ16KG(B2)	ZENER DIODE		1	
	D11	HSU119TRF-E	DIODE		1	
	D12	HSU119TRF-E	DIODE		1	
	D13	HSU119TRF-E	DIODE		1	
	D14	HSU119TRF-E	DIODE		1	
	D15	RKZ15KG(B2)	ZENER DIODE		1	
	D17	HSU119TRF-E	DIODE		1	
	D18	HSU119TRF-E	DIODE		1	
	D19	HSU119TRF-E	DIODE		1	
	D20	HSU119TRF-E	DIODE		1	
	D21	HSU119TRF-E	DIODE		1	
	D23	RKZ12KG(B2)	ZENER DIODE		1	
	D24	HSU119TRF-E	DIODE		1	
	D25	HSU119TRF-E	DIODE		1	
	D26	HSU119TRF-E	DIODE		1	
	D27	HSU119TRF-E	DIODE		1	
	D28	RKZ11KG(B2)	ZENER DIODE		1	
	D101	RKZ15KG(B2)	ZENER DIODE		1	
	D102	RKZ15KG(B2)	ZENER DIODE		1	
	D196	HSU119TRF-E	DIODE		1	
	D197	HSU119TRF-E	DIODE		1	
	D198	RKZ6.8KG(B2)	ZENER DIODE		1	
	D199	RKZ6.8KG(B2)	ZENER DIODE		1	
	D201	HSU119TRF-E	DIODE		1	
	D202	RKZ5.6KG(B2)	ZENER DIODE		1	
	D203	RKZ5.6KG(B2)	ZENER DIODE		1	
	D204	RKZ5.1KG(B2)	ZENER DIODE		1	
	D205	HSU119TRF-E	DIODE		1	
	D206	HSU119TRF-E	DIODE		1	
	D207	HSU119TRF-E	DIODE		1	
	D208	HSU119TRF-E	DIODE		1	
	D209	HSU119TRF-E	DIODE		1	
	C1	CD04AU1H100M	NP-ELEC	10uF 50W V	1	
	C2	CK73GB1H103K	CHIP C	0.010uF K	1	
	C3	CK73GB1C105K	CHIP C	1.0uF K	1	
	C4	CK73GB1H102K	CHIP C	1000pF K	1	
	C5	CK73GB1H104K	CHIP C	0.10uF K	1	
	C6	CK73GB1H104K	CHIP C	0.10uF K	1	
	C7	CK73GB1H104K	CHIP C	0.10uF K	1	
	C8	CK73GB1H102K	CHIP C	1000pF K	1	
	C9	CD04BN1H470M	ELECTRO	47uF 50W V	1	
	C10	CK73GB1H104K	CHIP C	0.10uF K	1	
	C11	CK73GB1A105K	CHIP C	1.0uF K	1	
	C13	CK73GB1H103K	CHIP C	0.010uF K	1	
	C14	CK73GB1H103K	CHIP C	0.010uF K	1	
	C15	CD04BJ1H100M	ELECTRO	10uF 50W V	1	
	C16	C90-6936-05	ELECTRO	3900uF 16W V	1	
	C17	C90-6936-05	ELECTRO	3900uF 16W V	1	
	C18	CK73GB1H682K	CHIP C	6800pF K	1	
	C19	CK73GB1H222K	CHIP C	2200pF K	1	
	C20	CK73GB1H222K	CHIP C	2200pF K	1	
	C21	CK73GB1H222K	CHIP C	2200pF K	1	
	C22	CK73GB1H222K	CHIP C	2200pF K	1	
	C23	C90-6933-05	ELECTRO	1500uF 100W V	1	
	C24	C90-6933-05	ELECTRO	1500uF 100W V	1	
	C25	CD04BN1H470M	ELECTRO	47uF 50W V	1	
	C26	CD04BN1H470M	ELECTRO	47uF 50W V	1	
	C27	CD04BN1H470M	ELECTRO	47uF 50W V	1	
	C28	CD04BN1H470M	ELECTRO	47uF 50W V	1	
	C29	CD04BN1H470M	ELECTRO	47uF 50W V	1	
	C30	CD04BN1H470M	ELECTRO	47uF 50W V	1	
	C31	CD04BN1H470M	ELECTRO	47uF 50W V	1	
	C33	CD04BJ1H100M	ELECTRO	10uF 50W V	1	
	C36	CK73GB1H102K	CHIP C	1000pF K	1	
	C37	CK73GB1H102K	CHIP C	1000pF K	1	
	C38	CD04BJ1H100M	ELECTRO	10uF 50W V	1	
	C39	CD04BJ1H100M	ELECTRO	10uF 50W V	1	
	C40	CK73GB1H103K	CHIP C	0.010uF K	1	
	C41	CK73GB1H103K	CHIP C	0.010uF K	1	
	C42	CK73GB1H103K	CHIP C	0.010uF K	1	
	C43	CK73FB1C684K	CHIP C	0.68uF K	1	
	C44	CK73GB1H102K	CHIP C	1000pF K	1	
	C45	CD04BN1C101M	ELECTRO	100uF 16W V	1	
	C46	CK73GB1H102K	CHIP C	1000pF K	1	
	C48	CK73GB1H103K	CHIP C	0.010uF K	1	
	C49	CK73GB1H103K	CHIP C	0.010uF K	1	
	C98	CK73GB1H103K	CHIP C	0.010uF K	1	
	C99	CK73FB1E474K	CHIP C	0.47uF K	1	
	C101	CK73GB1H102K	CHIP C	1000pF K	1	
	C102	CK73GB1H102K	CHIP C	1000pF K	1	

MODEL	MARK
X500-1	

Safe	Symbol No.	Parts No.	Parts Name	Description	QTY	Local
	C103	CD04BJ1H100M	ELECTRO	10uF 50W V	1	
	C104	CD04BJ1H100M	ELECTRO	10uF 50W V	1	
	C105	CC73GCH1H470J	CHIP C	47pF J	1	
	C106	CC73GCH1H470J	CHIP C	47pF J	1	
	C107	CK73GB1H103K	CHIP C	0.010uF K	1	
	C108	CK73GB1H103K	CHIP C	0.010uF K	1	
	C109	CC73GCH1H101J	CHIP C	100pF J	1	
	C110	CC73GCH1H330J	CHIP C	33pF J	1	
	C111	CC73GCH1H101J	CHIP C	100pF J	1	
	C112	CD04BJ1H100M	ELECTRO	10uF 50W V	1	
	C116	CK73GB1H103K	CHIP C	0.010uF K	1	
	C117	CK73GB1H103K	CHIP C	0.010uF K	1	
	C118	CC73GCH1H101J	CHIP C	100pF J	1	
	C119	CK73GB1H683K	CHIP C	0.068uF K	1	
	C120	CK73GB1E154K	CHIP C	0.15uF K	1	
	C121	CK73GB1H223K	CHIP C	0.022uF K	1	
	C122	CK73GB1H103K	CHIP C	0.010uF K	1	
	C123	CK73GB1H103K	CHIP C	0.010uF K	1	
	C124	CK73GB1H683K	CHIP C	0.068uF K	1	
	C125	CK73GB1E154K	CHIP C	0.15uF K	1	
	C126	CK73GB1H333K	CHIP C	0.033uF K	1	
	C127	CK73GB1H104K	CHIP C	0.10uF K	1	
	C128	CD04BJ1H4R7M	ELECTRO	50W V	1	
	C129	CK73GB1H103K	CHIP C	0.010uF K	1	
	C130	CK73GB1H103K	CHIP C	0.010uF K	1	
	C131	CC73GCH1H101J	CHIP C	100pF J	1	
	C135	CD04BJ1H100M	ELECTRO	10uF 50W V	1	
	C136	CD04BJ1H100M	ELECTRO	10uF 50W V	1	
	C193	CK73GB1H104K	CHIP C	0.10uF K	1	
	C194	CK73GB1H104K	CHIP C	0.10uF K	1	
	C195	CC73GCH1H101J	CHIP C	100pF J	1	
	C196	CK73GB1H103K	CHIP C	0.010uF K	1	
	C197	CK73GB1H103K	CHIP C	0.010uF K	1	
	C198	CC73GCH1H101J	CHIP C	100pF J	1	
	C199	CK73GB1H103K	CHIP C	0.010uF K	1	
	C201	CD04BJ1H2R2M	ELECTRO	2.2uF 50W V	1	
	C202	CK73GB1H473K	CHIP C	0.047uF K	1	
	C203	CC73GCH1H470J	CHIP C	47pF J	1	
	C204	CQ92FMJ1H332J	CHIP C	3300pF J	1	
	C205	CK73GB1H102K	CHIP C	1000pF K	1	
	C206	CK73GB1H103K	CHIP C	0.010uF K	1	
	C207	CK73GB1H103K	CHIP C	0.010uF K	1	
	C208	CC73GCH1H331J	CHIP C	330pF J	1	
	C209	CK73GB1H103K	CHIP C	0.010uF K	1	
	C210	CK73GB1H103K	CHIP C	0.010uF K	1	
	C211	CK73GB1H103K	CHIP C	0.010uF K	1	
	C212	CK73GB1H103K	CHIP C	0.010uF K	1	
	C213	CD04BN1H470M	ELECTRO	47uF 50W V	1	
	C214	CC73GCH1H560J	CHIP C	56pF J	1	
	C215	CC73GCH1H470J	CHIP C	47pF J	1	
	C216	CK73GB1H103K	CHIP C	0.010uF K	1	
	C217	CK73GB1H103K	CHIP C	0.010uF K	1	
	C218	CD04BJ1H220M	22uF	50W V	1	
	C219	CK73GB1H682K	CHIP C	6800pF K	1	
	C220	C91-2292-05	CHIP C	0.047uF K	1	
	C221	C91-2295-05	CHIP C	1500pF K	1	
	C222	C91-2290-05	CHIP C	4.7uF	1	
	C223	C91-2290-05	CHIP C	4.7uF	1	
	C224	C91-2290-05	CHIP C	4.7uF	1	
	C225	CK73GB1H223K	CHIP C	0.022uF K	1	
	C226	CK73GB1H223K	CHIP C	0.022uF K	1	
	C227	CK73GB1H223K	CHIP C	0.022uF K	1	
	C228	CK73GB1H223K	CHIP C	0.022uF K	1	
	C401	CC73GCH1H180J	CHIP C	18pF J	1	
	C402	CC73GCH1H180J	CHIP C	18pF J	1	
	C404	CC73GCH1H180J	CHIP C	18pF J	1	
	C405	CC73GCH1H180J	CHIP C	18pF J	1	
	C406	CC73GCH1H180J	CHIP C	18pF J	1	
	C407	CC73GCH1H180J	CHIP C	18pF J	1	
	C408	CC73GCH1H180J	CHIP C	18pF J	1	
	R1	RK73EB2E392J	CHIP R	3.9kΩ J 1/4W	1	
	R2	RK73GB2A392J	CHIP R	3.9kΩ J 1/10W	1	
	R3	RK73GB2A152J	CHIP R	1.5kΩ J 1/10W	1	
	R4	RK73GB2A682J	CHIP R	6.8kΩ J 1/10W	1	
	R5	RK73GB2A392J	CHIP R	3.9kΩ J 1/10W	1	
	R6	RK73GB2A392J	CHIP R	3.9kΩ J 1/10W	1	
	R7	RK73GB2A472J	CHIP R	4.7kΩ J 1/10W	1	
	R8	RK73GB2A472J	CHIP R	4.7kΩ J 1/10W	1	
	R9	RK73GB2A203J	CHIP R	20kΩ J 1/10W	1	
	R10	RK73GB2A104J	CHIP R	100kΩ J 1/10W	1	
	R11	RK73GB2A222J	CHIP R	2.2kΩ J 1/10W	1	
	R12	RK73GB2A100J	CHIP R	10Ω J 1/10W	1	
	R13	RK73GB2A184J	CHIP R	180kΩ J 1/10W	1	
	R14	RK73GB2A102J	CHIP R	1.0kΩ J 1/10W	1	
	R15	RK73GB2A182J	CHIP R	1.8kΩ J 1/10W	1	
	R16	RK73GB2A103J	CHIP R	10kΩ J 1/10W	1	
	R17	RK73GB2A103J	CHIP R	10kΩ J 1/10W	1	
	R18	RK73GB2A104J	CHIP R	100kΩ J 1/10W	1	
	R19	RK73EB2E152J	CHIP R	1.5kΩ J 1/4W	1	
	R22	RK73GB2A273J	CHIP R	27kΩ J 1/10W	1	
	R23	RK73GB2A103J	CHIP R	10kΩ J 1/10W	1	
	R24	RK73GB2A333J	CHIP R	33kΩ J 1/10W	1	

MODEL	MARK
X500-1	

Safe	Symbol No.	Parts No.	Parts Name	Description	QTY	Local
	R25	RK73GB2A101J	CHIP R	100Ω J 1/10W	1	
	R26	RK73GB2A753J	CHIP R	75kΩ J 1/10W	1	
	R27	RK73GB2A102J	CHIP R	1.0kΩ J 1/10W	1	
	R28	RK73GB2A102J	CHIP R	1.0kΩ J 1/10W	1	
	R29	RK73GB2A102J	CHIP R	1.0kΩ J 1/10W	1	
	R30	RK73GB2A472J	CHIP R	4.7kΩ J 1/10W	1	
	R31	RK73GB2A472J	CHIP R	4.7kΩ J 1/10W	1	
	R32	RK73GB2A820J	CHIP R	82Ω J 1/10W	1	
	R33	RK73GB2A820J	CHIP R	82Ω J 1/10W	1	
	R34	RK73GB2A820J	CHIP R	82Ω J 1/10W	1	
	R35	RK73GB2A820J	CHIP R	82Ω J 1/10W	1	
	R36	RK73GB2A820J	CHIP R	82Ω J 1/10W	1	
	R37	RK73GB2A820J	CHIP R	82Ω J 1/10W	1	
	R38	RK73PB2H100J	CHIP R	10Ω J 1/2W	1	
	R39	RK73PB2H220J	CHIP R	22Ω J 1/2W	1	
	R40	RK73PB2H220J	CHIP R	22Ω J 1/2W	1	
	R41	RK73EB2E473J	CHIP R	47kΩ J 1/4W	1	
	R42	RK73EB2E473J	CHIP R	47kΩ J 1/4W	1	
	R43	RK73EB2E100J	CHIP R	10Ω J 1/4W	1	
	R44	RK73EB2E303J	CHIP R	30kΩ J 1/4W	1	
	R45	RK73EB2E303J	CHIP R	30kΩ J 1/4W	1	
	R46	RK73EB2E100J	CHIP R	10Ω J 1/4W	1	
	R47	RK73GB2A100J	CHIP R	10Ω J 1/10W	1	
	R48	RK73GB2A821J	CHIP R	820Ω J 1/10W	1	
	R49	RK73GB2A472J	CHIP R	4.7kΩ J 1/10W	1	
	R50	RK73GB2A103J	CHIP R	10kΩ J 1/10W	1	
	R51	RK73GB2A153J	CHIP R	15kΩ J 1/10W	1	
	R52	RK73EB2E101J	CHIP R	100Ω J 1/4W	1	
	R53	RK73GB2A562J	CHIP R	5.6kΩ J 1/10W	1	
	R54	RK73GB2A563J	CHIP R	56kΩ J 1/10W	1	
	R56	RK73GB2A103J	CHIP R	10kΩ J 1/10W	1	
	R57	RK73GB2A183J	CHIP R	18kΩ J 1/10W	1	
	R58	R92-5576-05	METAL R	0.02Ω 5W	1	
	R59	R92-5576-05	METAL R	0.02Ω 5W	1	
	R60	RK73GB2A332J	CHIP R	3.3kΩ J 1/10W	1	
	R61	RK73GB2A302J	CHIP R	3.0kΩ J 1/10W	1	
	R62	RK73GB2A224J	CHIP R	220kΩ J 1/10W	1	
	R63	RK73GB2A472J	CHIP R	4.7kΩ J 1/10W	1	
	R64	RK73GB2A332J	CHIP R	3.3kΩ J 1/10W	1	
	R65	RK73GB2A223J	CHIP R	22kΩ J 1/10W	1	
	R66	RK73GB2A123J	CHIP R	12kΩ J 1/10W	1	
	R67	RK73GB2A103J	CHIP R	10kΩ J 1/10W	1	
	R68	RK73GB2A103J	CHIP R	10kΩ J 1/10W	1	
	R69	R92-5576-05	METAL R	0.02Ω 5W	1	
	R70	RK73GB2A103J	CHIP R	10kΩ J 1/10W	1	
	R71	RK73GB2A123J	CHIP R	12kΩ J 1/10W	1	
	R72	RK73GB2A133J	CHIP R	13kΩ J 1/10W	1	
	R73	RK73GB2A203J	CHIP R	20kΩ J 1/10W	1	
	R74	RK73GB2A272J	CHIP R	2.7kΩ J 1/10W	1	
	R75	RK73GB2A203J	CHIP R	20kΩ J 1/10W	1	
	R76	RK73GB2A203J	CHIP R	20kΩ J 1/10W	1	
	R77	RK73GB2A103J	CHIP R	10kΩ J 1/10W	1	
	R78	RK73GB2A362J	CHIP R	3.6kΩ J 1/10W	1	
	R79	RK73GB2A123J	CHIP R	12kΩ J 1/10W	1	
	R80	RK73GB2A203J	CHIP R	20kΩ J 1/10W	1	
	R81	RK73GB2A102J	CHIP R	1.0kΩ J 1/10W	1	
	R82	RK73GB2A103J	CHIP R	10kΩ J 1/10W	1	
	R83	RK73GB2A224J	CHIP R	220kΩ J 1/10W	1	
	R84	RK73GB2A103J	CHIP R	10kΩ J 1/10W	1	
	R85	RK73GB2A333J	CHIP R	33kΩ J 1/10W	1	
	R86	RK73GB2A823J	CHIP R	82kΩ J 1/10W	1	
	R87	RK73GB2A103J	CHIP R	10kΩ J 1/10W	1	
	R88	RK73GB2A222J	CHIP R	2.2kΩ J 1/10W	1	
	R89	RK73GB2A393J	CHIP R	39kΩ J 1/10W	1	
	R92	RK73GB2A103J	CHIP R	10kΩ J 1/10W	1	
	R93	RK73GB2A623J	CHIP R	62kΩ J 1/10W	1	
	R94	RK73GB2A202J	CHIP R	2.0kΩ J 1/10W	1	
	R96	RK73GB2A822J	CHIP R	8.2kΩ J 1/10W	1	
	R97	RK73GB2A472J	CHIP R	4.7kΩ J 1/10W	1	
	R98	RK73GB2A333J	CHIP R	33kΩ J 1/10W	1	
	R100	RK73EB2E562J	CHIP R	5.6kΩ J 1/4W	1	
	R101	RK73EB2E102J	CHIP R	1.0kΩ J 1/4W	1	
	R102	RK73EB2E102J	CHIP R	1.0kΩ J 1/4W	1	
	R103	RK73GB2A103J	CHIP R	10kΩ J 1/10W	1	
	R104	RK73GB2A103J	CHIP R	10kΩ J 1/10W	1	
	R105	RK73GB2A273J	CHIP R	27kΩ J 1/10W	1	
	R106	RK73GB2A273J	CHIP R	27kΩ J 1/10W	1	
	R107	RK73GB2A102J	CHIP R	1.0kΩ J 1/10W	1	
	R108	RK73GB2A153J	CHIP R	15kΩ J 1/10W	1	
	R109	RK73GB2A103J	CHIP R	10kΩ J 1/10W	1	
	R110	RK73GB2A333J	CHIP R	33kΩ J 1/10W	1	
	R111	RK73GH2A103D	CHIP R	10kΩ D 1/10W	1	
	R112	RK73GH2A103D	CHIP R	10kΩ D 1/10W	1	
	R113	RK73GH2A103D	CHIP R	10kΩ D 1/10W	1	
	R114	RK73GH2A103D	CHIP R	10kΩ D 1/10W	1	
	R120	RK73GB2A431J	CHIP R	430Ω J 1/10W	1	
	R121	RK73GB2A102J	CHIP R	1.0kΩ J 1/10W	1	
	R122	RK73GB2A473J	CHIP R	47kΩ J 1/10W	1	
	R123	RK73GB2A122J	CHIP R	1.2kΩ J 1/10W	1	
	R124	RK73GB2A752J	CHIP R	7.5kΩ J 1/10W	1	
	R125	RK73GB2A133J	CHIP R	13kΩ J 1/10W	1	
	R126	RK73GB2A332J	CHIP R	3.3kΩ J 1/10W	1	

MODEL	MARK
X500-1	

Safe	Symbol No.	Parts No.	Parts Name	Description	QTY	Local
	R127	RK73GB2A222J	CHIP R	2.2kΩ J 1/10W	1	
	R128	RK73GB2A153J	CHIP R	15kΩ J 1/10W	1	
	R129	RK73GB2A153J	CHIP R	15kΩ J 1/10W	1	
	R130	RK73GB2A123J	CHIP R	12kΩ J 1/10W	1	
	R131	RK73GB2A222J	CHIP R	2.2kΩ J 1/10W	1	
	R132	RK73GB2A153J	CHIP R	15kΩ J 1/10W	1	
	R133	RK73GB2A154J	CHIP R	150kΩ J 1/10W	1	
	R134	RK73GB2A241J	CHIP R	240Ω J 1/10W	1	
	R135	RK73GB2A133J	CHIP R	13kΩ J 1/10W	1	
	R136	RK73GB2A202J	CHIP R	2.0kΩ J 1/10W	1	
	R137	RK73GB2A222J	CHIP R	2.2kΩ J 1/10W	1	
	R140	RK73GB2A202J	CHIP R	2.0kΩ J 1/10W	1	
	R141	RK73GB2A100J	CHIP R	10Ω J 1/10W	1	
	R142	RK73GB2A100J	CHIP R	10Ω J 1/10W	1	
	R143	RK73GB2A101J	CHIP R	100Ω J 1/10W	1	
	R191	RK73GB2A153J	CHIP R	15kΩ J 1/10W	1	
	R192	RK73GB2A623J	CHIP R	62kΩ J 1/10W	1	
	R193	RK73GB2A333J	CHIP R	33kΩ J 1/10W	1	
	R194	RK73GB2A133J	CHIP R	13kΩ J 1/10W	1	
	R195	RK73GB2A114J	CHIP R	110kΩ J 1/10W	1	
	R196	RK73GB2A103J	CHIP R	10kΩ J 1/10W	1	
	R197	RK73GB2A103J	CHIP R	10kΩ J 1/10W	1	
	R201	RK73GB2A332J	CHIP R	3.3kΩ J 1/10W	1	
	R202	RK73GB2A473J	CHIP R	47kΩ J 1/10W	1	
	R203	RK73GB2A102J	CHIP R	1.0kΩ J 1/10W	1	
	R204	RK73GB2A471J	CHIP R	470Ω J 1/10W	1	
	R205	RK73GB2A102J	CHIP R	1.0kΩ J 1/10W	1	
	R206	RK73GB2A684J	CHIP R	680kΩ J 1/10W	1	
	R207	RK73GB2A683J	CHIP R	68kΩ J 1/10W	1	
	R208	RK73EB2E123J	CHIP R	12kΩ J 1/4W	1	
	R209	RK73EB2E123J	CHIP R	12kΩ J 1/4W	1	
	R210	RK73GB2A103J	CHIP R	10kΩ J 1/10W	1	
	R211	RK73GB2A103J	CHIP R	10kΩ J 1/10W	1	
	R212	RK73GB2A103J	CHIP R	10kΩ J 1/10W	1	
	R213	RK73GB2A682J	CHIP R	6.8kΩ J 1/10W	1	
	R214	RK73GB2A103J	CHIP R	10kΩ J 1/10W	1	
	R215	RK73GB2A911J	CHIP R	910Ω J 1/10W	1	
	R216	RK73GB2A103J	CHIP R	10kΩ J 1/10W	1	
	R217	RK73GB2A392J	CHIP R	3.9kΩ J 1/10W	1	
	R218	RK73GB2A622J	CHIP R	6.2kΩ J 1/10W	1	
	R219	RK73GB2A622J	CHIP R	6.2kΩ J 1/10W	1	
	R220	RK73GB2A103J	CHIP R	10kΩ J 1/10W	1	
	R221	RK73EB2E681J	CHIP R	680Ω J 1/4W	1	
	R222	RK73GB2A112J	CHIP R	1.1kΩ J 1/10W	1	
	R223	RK73GB2A103J	CHIP R	10kΩ J 1/10W	1	
	R224	RK73GB2A103J	CHIP R	10kΩ J 1/10W	1	
	R225	RK73GB2A103J	CHIP R	10kΩ J 1/10W	1	
	R226	RK73GB2A103J	CHIP R	10kΩ J 1/10W	1	
	R227	RK73GB2A103J	CHIP R	10kΩ J 1/10W	1	
	R228	RK73GB2A104J	CHIP R	100kΩ J 1/10W	1	
	R229	RK73GB2A103J	CHIP R	10kΩ J 1/10W	1	
	R230	RK73GB2A103J	CHIP R	10kΩ J 1/10W	1	
	R231	RK73GB2A393J	CHIP R	39kΩ J 1/10W	1	
	R232	RK73GB2A303J	CHIP R	30kΩ J 1/10W	1	
	R233	RK73EB2E331J	CHIP R	330Ω J 1/4W	1	
	R234	RK73GB2A103J	CHIP R	10kΩ J 1/10W	1	
	R235	RK73GB2A103J	CHIP R	10kΩ J 1/10W	1	
	R236	RK73GB2A182J	CHIP R	1.8kΩ J 1/10W	1	
	R237	RK73GB2A472J	CHIP R	4.7kΩ J 1/10W	1	
	R238	RK73GB2A472J	CHIP R	4.7kΩ J 1/10W	1	
	R239	RK73GB2A182J	CHIP R	1.8kΩ J 1/10W	1	
	R240	RK73GB2A681J	CHIP R	680Ω J 1/10W	1	
	R241	RK73GB2A911J	CHIP R	910Ω J 1/10W	1	
	R242	RK73GB2A471J	CHIP R	470Ω J 1/10W	1	
	R243	RK73GB2A751J	CHIP R	750Ω J 1/10W	1	
	R244	RK73GB2A510J	CHIP R	51Ω J 1/10W	1	
	R245	RK73EB2E151J	CHIP R	150Ω J 1/4W	1	
	R246	RK73EB2E181J	CHIP R	180Ω J 1/4W	1	
	R247	RK73GB2A681J	CHIP R	680Ω J 1/10W	1	
	R248	RK73EB2E101J	CHIP R	100Ω J 1/4W	1	
	R249	RK73EB2E510J	CHIP R	51Ω J 1/4W	1	
	R250	RK73EB2E101J	CHIP R	100Ω J 1/4W	1	
	R251	RK73EB2E510J	CHIP R	51Ω J 1/4W	1	
	R252	RK73GB2A473J	CHIP R	47kΩ J 1/10W	1	
	R253	RK73GB2A473J	CHIP R	47kΩ J 1/10W	1	
	R254	RK73EB2E100J	CHIP R	10Ω J 1/4W	1	
	R255	RK73EB2E100J	CHIP R	10Ω J 1/4W	1	
	R256	RK73EB2E100J	CHIP R	10Ω J 1/4W	1	
	R257	RK73EB2E100J	CHIP R	10Ω J 1/4W	1	
	R258	RS14KB3D4R7JP	FL-PROOF RS	4.7Ω J 2W	1	
	R259	RK73EB2E331J	CHIP R	330Ω J 1/4W	1	
	R301	RK73GB2A103J	CHIP R	10kΩ J 1/10W	1	
	R302	RK73GB2A103J	CHIP R	10kΩ J 1/10W	1	
	R401	RK73GB2A300J	CHIP R	30Ω J 1/10W	1	
	R402	RK73GB2A300J	CHIP R	30Ω J 1/10W	1	
	R403	RK73GB2A101J	CHIP R	100Ω J 1/10W	1	
	R404	RK73GB2A101J	CHIP R	100Ω J 1/10W	1	
	R406	RK73GB2A300J	CHIP R	30Ω J 1/10W	1	
	R407	RK73PB2H300J	CHIP R	30Ω J 1/2W	1	
	R408	RK73PB2H300J	CHIP R	30Ω J 1/2W	1	
	VR1	R31-0223-15	VARIABLE RESISTOR	10kΩ A	1	
	VR2	R31-0208-15	VARIABLE RESISTOR	50kΩ C	1	
	VR3	R31-0229-15	VARIABLE RESISTOR	10kΩ C	1	

MODEL	MARK
X500-1	

Safe	Symbol No.	Parts No.	Parts Name	Description	QTY	Local
	L2	L19-0849-05	TRANSFORMER	FOR CONVERTER	1	
	L3	L33-2458-15	CHOKO COIL		1	
	CN1	E41-2447-05	FLAT CABLE CONNECTOR		1	
	CN11	E41-2945-05	FLAT CABLE CONNECTOR		1	
	J1	E63-0964-05	PIN JACK		1	
	J2	E70-0870-05	SCREW TERMINAL BOARD		1	
	TH1	NCP18WB473J0S	THERMISTOR		1	