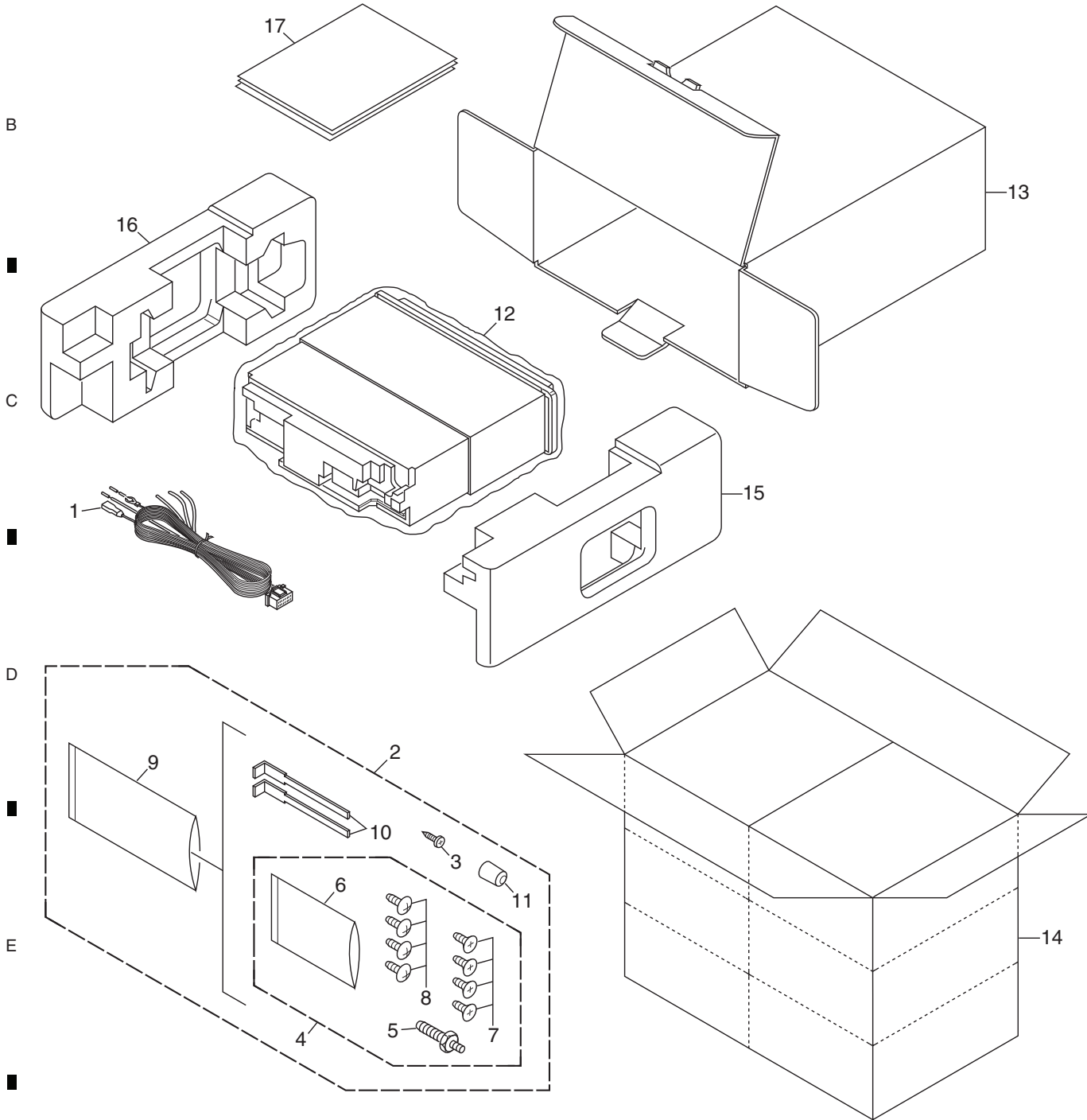


2. EXPLODED VIEWS AND PARTS LIST

NOTES : • Parts marked by " * " are generally unavailable because they are not in our Master Spare Parts List.

- The \triangle mark found on some component parts indicates the importance of the safety factor of the part. Therefore, when replacing, be sure to use parts of identical designation.
- Screw adjacent to ∇ mark on the product are used for disassembly.
- For the applying amount of lubricants or glue, follow the instructions in this manual.
(In the case of no amount instructions, apply as you think it appropriate.)

2.1 PACKING



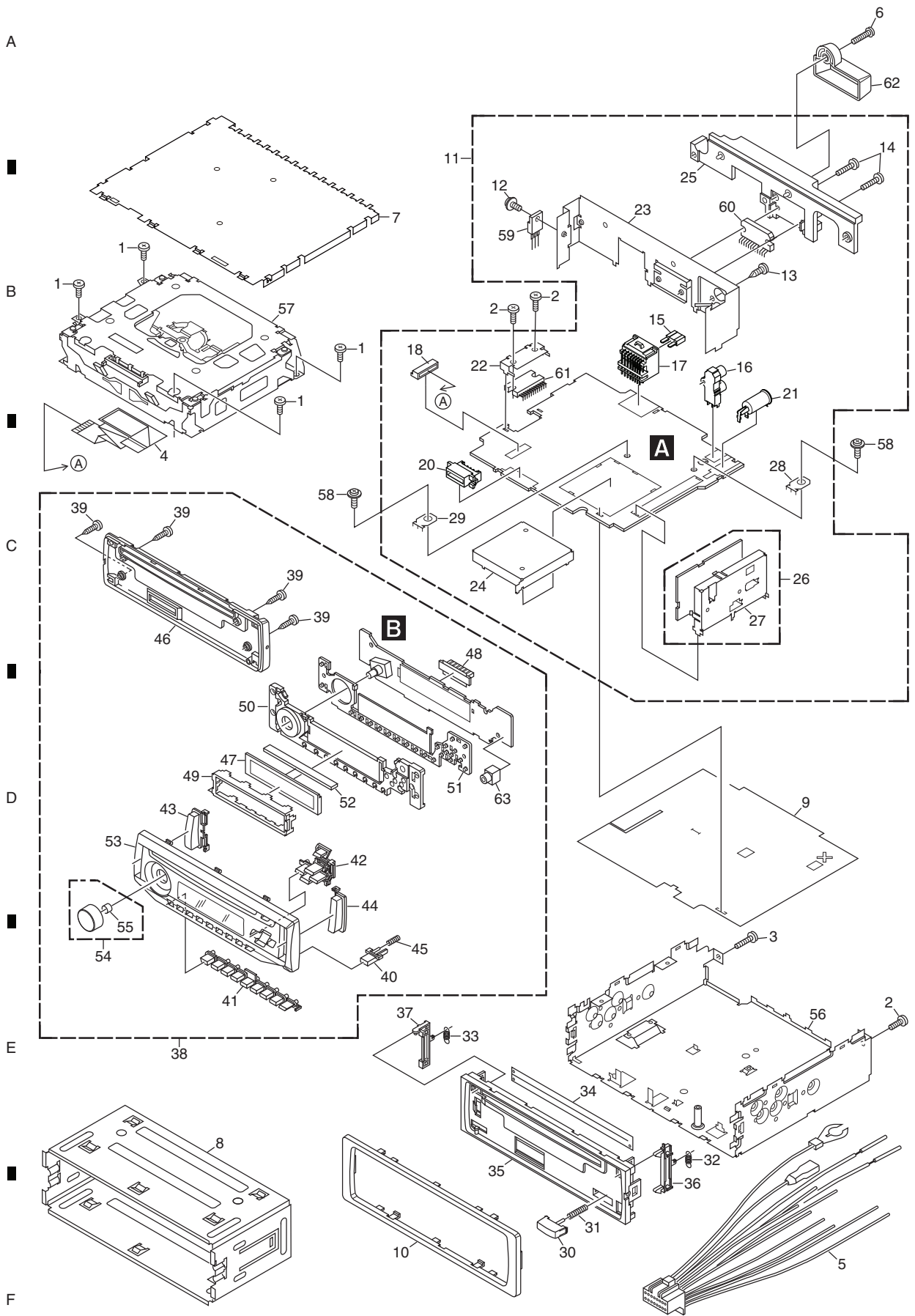
PACKING SECTION PARTS LIST

<u>Mark No.</u>	<u>Description</u>	<u>Part No.</u>	<u>Mark No.</u>	<u>Description</u>	<u>Part No.</u>
1	Cord Assy	CDP1017	11	Bush	CNV3930
2	Accessory Assy	CEA6707	12	Polyethylene Bag	CEG1374
3	Screw	BPZ20P080FTC	13	Carton	CHG6006
4	Screw Assy	CEA3849	14	Contain Box	CHL6006
5	Screw	CBA1650	15	Protector	CHP3279
* 6	Polyethylene Bag	CEG-127	16	Protector	CHP3280
7	Screw	CRZ50P090FTC	17-1	Installation Manual	CRD4137
8	Screw	TRZ50P080FTC	17-2	Owner's Manual	CRD4145
9	Polyethylene Bag	CEG1160	17-3	Caution Card	CRP1310
10	Handle	CND3707	* 17-4	Warranty Card	CRY1247

Owner's Manual,Installation Manual

Part No.	Language
CRD4145, CRD4137	English, French, Spanish

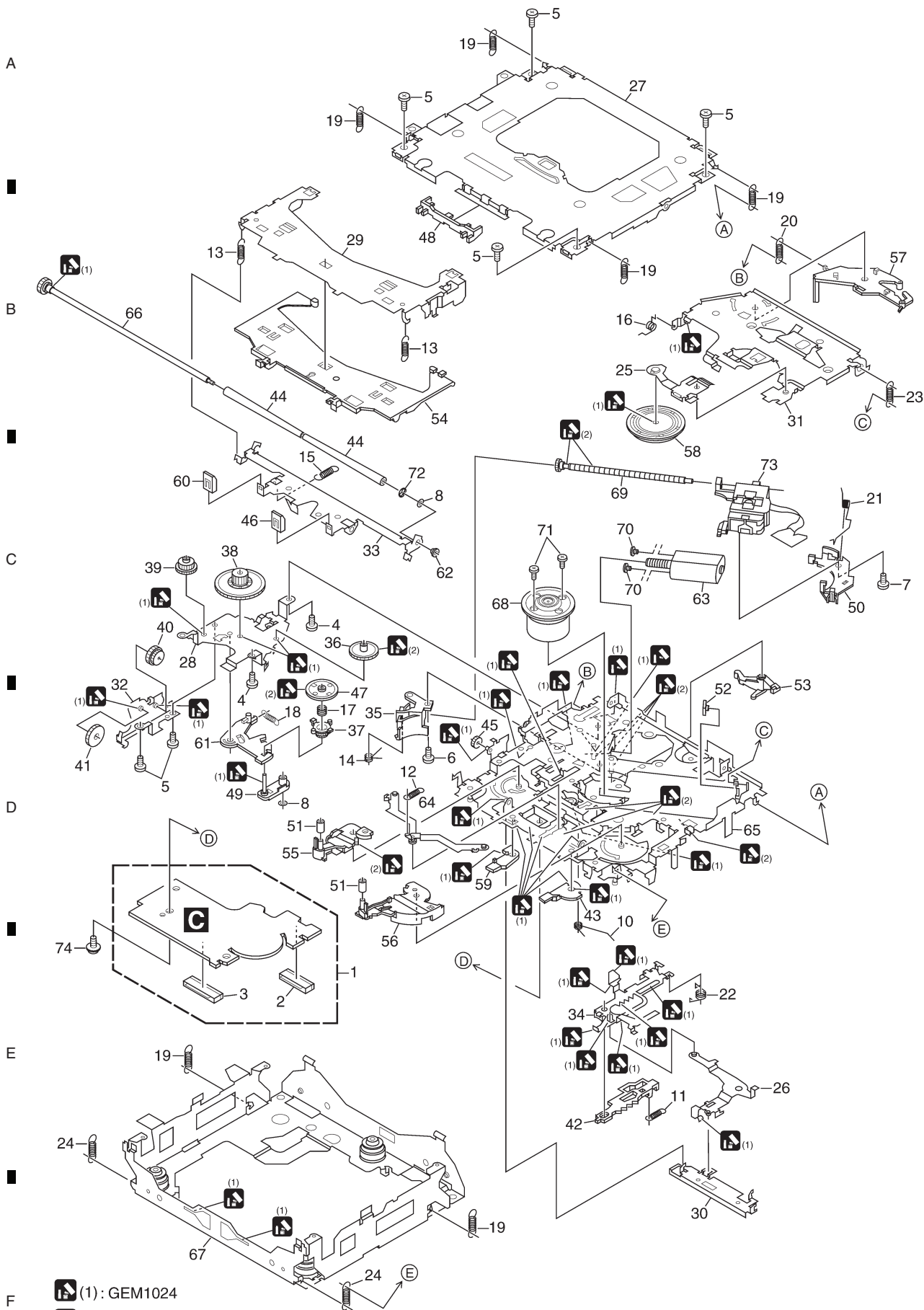
2.2 EXTERIOR



EXTERIOR SECTION PARTS LIST

<u>Mark No.</u>	<u>Description</u>	<u>Part No.</u>	<u>Mark No.</u>	<u>Description</u>	<u>Part No.</u>
1	Screw	BSZ26P060FTC	50	Lighting Conductor	CNV9301
2	Screw	BSZ26P100FTC			
3	Screw	BSZ26P180FTC	51	Rubber	CNV9302
4	Cable	CDE8337	52	Connector	CNV9306
5	Cord Assy	CDP1017	53	Grille Unit	CXC6971
			54	Knob Unit(VOLUME)	CXC7059
6	Screw	BMZ40P140FTC	55	Spring	CBL1761
7	Case	CNB2793			
8	Holder	CND3598	56	Chassis Unit	CXC7391
9	Insulator	CNN1385	57	CD Mechanism Module(S10.5)	CXK5700
10	Panel	CNS8762	58	Screw	ISS26P055FTC
			59	Transistor(Q991)	2SD2396
11	Tuner Amp Unit	CWN2127	60	IC(IC301)	PAL007C
12	Screw	BSZ26P060FTC			
13	Screw	BPZ26P080FTC	61	IC(IC911)	BA4918-V12
14	Screw	BSZ26P160FTC	62	Holder	CNV7619
⚠ 15	Fuse(10 A)	CEK1208	63	Jack(CN1802)	CKN1047
16	Pin Jack(CN351)	CKB1059			
17	Plug(CN901)	CKM1376			
18	Connector(CN651)	CKS3832			
19	•••••				
20	Connector(CN831)	CKS5664			
21	Antenna Jack(CN401)	CKX1056			
22	Holder	CND3545			
23	Holder	CND3754			
24	Holder	CND3706			
25	Heat Sink	CNR1668			
26	FM/AM Tuner Unit	CWE2025			
27	Holder	CND3466			
28	Terminal(CN402)	VNF1084			
29	Terminal(CN601)	VNF1084			
30	Button(DETACH)	CAC4836			
31	Spring	CBH2367			
32	Spring	CBH2961			
33	Spring	CBH2962			
34	Cover	CNN1665			
35	Panel	CNS8760			
36	Arm	CNV9311			
37	Arm	CNV9312			
38	Detach Grille Assy	CXC7316			
39	Screw	BPZ20P100FTC			
40	Button(Detach)	CAC9382			
41	Button(1-6)	CAC9863			
42	Button(<,>,UP,DOWN)	CAC9864			
43	Button(SOURCE,BAND)	CAC9861			
44	Button(AUDIO,FUNC)	CAC9862			
45	Spring	CBH2210			
46	Cover	CNS8744			
47	LCD	CAW1930			
48	Connector(CN1801)	CKS5663			
49	Holder	CND3642			

2.3 CD MECHANISM MODULE



(1): GEM1024
 (2): GEM1045

CD MECHANISM MODULE SECTION PARTS LIST

<u>Mark No.</u>	<u>Description</u>	<u>Part No.</u>	<u>Mark No.</u>	<u>Description</u>	<u>Part No.</u>
1	CD Core Unit(S10.5)	CWX3090	50	Rack	CNV8342
2	Connector(CN101)	CKS4808			
3	Connector(CN702)	CKS5283	51	Roller	CNV8343
4	Screw	BMZ20P025FTC	52	Holder	CNV8344
5	Screw	BSZ20P040FTC	53	Arm	CNV8345
			54	Guide	CNV8347
6	Screw(M2 x 3)	CBA1511	55	Arm	CNV8348
7	Screw(M2 x 4)	CBA1835			
8	Washer	CBF1038	56	Arm	CNV8349
9		57	Arm	CNV8350
10	Spring	CBH2609	58	Clamper	CNV8365
			59	Arm	CNV8386
11	Spring	CBH2612	60	Guide	CNV8396
12	Spring	CBH2614			
13	Spring	CBH2616	61	Arm	CNV8413
14	Spring	CBH2617	62	Collar	CNV8447
15	Spring	CBH2620	63	Motor Unit(M2)	CXC4026
			64	Arm Unit	CXC4027
16	Spring	CBH2855	65	Chassis Unit	CXC4028
17	Spring	CBH2937			
18	Spring	CBH2735	66	Gear Unit	CXC4029
19	Spring	CBH2854	67	Frame Unit	CXC4031
20	Spring	CBH2642	68	Motor Unit(M1)	CXC7134
			69	Screw Unit	CXC6359
21	Spring	CBH2856	70	Screw	JFZ20P020FTC
22	Spring	CBH2857			
23	Spring	CBH2860	71	Screw	JGZ17P022FTC
24	Spring	CBH2861	72	Washer	YE20FTC
25	Spring	CBL1686	73	Pickup Unit(P10.5)(Service)	CXX1942
			74	Screw	IMS26P030FTC
26	Arm	CND1909			
27	Frame	CND2582			
28	Bracket	CND2583			
29	Arm	CND2584			
30	Lever	CND2585			
31	Arm	CND2586			
32	Bracket	CND2587			
33	Arm	CND2588			
34	Lever	CND2589			
35	Holder	CNV7201			
36	Gear	CNV7207			
37	Gear	CNV7208			
38	Gear	CNV7209			
39	Gear	CNV7210			
40	Gear	CNV7211			
41	Gear	CNV7212			
42	Rack	CNV7214			
43	Arm	CNV7216			
44	Roller	CNV8189			
45	Gear	CNV7219			
46	Guide	CNV7361			
47	Gear	CNV7595			
48	Guide	CNV8448			
49	Arm	CNV7805			

5. ELECTRICAL PARTS LIST

NOTE:

- Parts whose parts numbers are omitted are subject to being not supplied.
- The part numbers shown below indicate chip components.

Chip Resistor

RS1/○S○○○○J,RS1/○○S○○○○J

Chip Capacitor (except for CQS.....)

CKS....., CCS....., CSZS.....

- The \triangle mark found on some component parts indicates the importance of the safety factor of the part. Therefore, when replacing, be sure to use parts of identical designation.
- Meaning of the figures and others in the parentheses in the parts list.

Example) IC 301 is on the point (face A, 91 of x-axis, and 111 of y-axis) of the corresponding PC board.

IC 301 (A, 91, 111) IC NJM2068V

<u>Circuit Symbol and No.</u>	<u>Part No.</u>	<u>Circuit Symbol and No.</u>	<u>Part No.</u>
Unit Number: CWN2127		L 407 (B,163,64) Inductor	CTF1473
Unit Name : Tuner Amp Unit		L 601 (B,116,19) Inductor	CTF1389
Unit Number:		L 602 (A,150,22) Inductor	LAUR47K
Unit Name : Keyboard Unit		L 603 (A,111,76) Inductor	LAU2R2K
Unit Number: CWX3090		L 604 (A,119,67) Inductor	LAUR47K
Unit Name : CD Core Unit(S10.5)		L 605 (A,125,66) Inductor	LAUR47K
		L 606 (A,145,67) Inductor	LAU1R0K
		L 607 (A,146,59) Inductor	LAU1R0K
		L 608 (A,133,67) Inductor	LAU1R5K
		L 609 (A,130,67) Inductor	LAU1R5K
		L 610 (A,137,64) Inductor	LAU1R2J
		L 611 (B,134,79) Inductor	CTF1379
		L 612 (B,132,79) Inductor	CTF1379
		L 613 (B,143,58) Inductor	CTF1379
		L 614 (B,120,64) Inductor	CTF1379
		L 615 (B,150,71) Inductor	CTF1379
		L 616 (B,142,75) Inductor	CTF1379
		L 617 (B,145,50) Inductor	CTF1389
		L 801 (A,71,22) Inductor	LAU2R2K
		L 901 (A,34,96) Choke Coil 600 μ H	CTH1291
		X 601 (A,140,60) Crystal 74.100 MHz	CSS1728
		X 602 (A,112,56) Crystal 4.718 6 MHz	CSS1727
		\triangle FU351 (B,132,130) Fuse 3 A	CEK1286
		AR401 (B,162,108) Surge Protector	IMSA-6801-01Y901
		\triangle Fuse 10 A	CEK1208
		FM/AM Tuner Unit	CWE2025
MISCELLANEOUS			
IC 151 (B,121,99) IC	PML014A		
IC 301 (A,92,131) IC	PAL007C		
IC 601 (B,126,41) IC	PN5010A		
IC 911 (A,20,78) IC	BA4918-V12		
Q 201 (B,127,127) Transistor	UMD2N		
Q 351 (B,159,125) Transistor	UMH3N		
Q 601 (A,149,64) Transistor	2SD1858		
Q 821 (B,29,10) Transistor	2SA1036K		
Q 822 (B,20,9) Transistor	DTC114EUA		
Q 931 (B,57,95) Transistor	2SC2412K		
Q 991 (A,6,113) Transistor	2SD2396		
Q 992 (B,11,103) Transistor	UMD2N		
D 301 (A,64,121) Diode	MPG06G-6415G3		
D 302 (A,52,121) Diode	MPG06G-6415G3		
D 832 (B,73,5) Diode	FTZ6R8E		
D 901 (A,47,107) Diode	MPG06G-6415G3		
D 902 (A,47,104) Diode	MPG06G-6415G3		
D 911 (A,49,78) Diode	MPG06G-6415G3		
D 912 (A,43,78) Diode	MPG06G-6415G3		
D 931 (A,63,106) Diode	HZS7L(A1)		
D 991 (A,17,110) Diode	HZS7L(C3)		
L 151 (A,135,103) Inductor	LAU2R2K		
L 401 (A,147,79) Inductor	LAU2R2K		
L 402 (A,143,96) Inductor	LAU2R2K		
RESISTORS			
R 151 (B,87,93)	RAB4C102J		
R 156 (B,88,86)	RS1/16S681J		
R 157 (B,92,86)	RS1/16S681J		
R 162 (B,137,99)	RS1/16S102J		
R 163 (B,103,104)	RS1/16S102J		
R 201 (B,123,127)	RS1/16S103J		
R 202 (B,129,131)	RS1/16S153J		
R 203 (B,123,129)	RS1/16S221J		
R 251 (B,101,104)	RS1/16S223J		
R 252 (B,135,99)	RS1/16S223J		
R 301 (B,93,105)	RS1/16S153J		
R 351 (B,163,128)	RS1/16S223J		
R 352 (B,163,132)	RS1/16S223J		

Circuit Symbol and No.**Part No.****Circuit Symbol and No.****Part No.**

C 618 (B,110,52) CCSRCH270J50
 C 619 (B,141,68) CKSRYB103K50
 C 620 (B,142,54) CKSRYB105K10

D 1814 (A,36,73) LED CL-195PG-CD
 D 1815 (A,36,83) LED CL-195PG-CD
 D 1816 (A,36,94) LED CL-195PG-CD
 D 1817 (A,37,124) LED CL-195PG-CD

A

C 621 (B,149,67) CKSRYB103K50
 C 622 (B,139,51) CKSRYB104K16
 C 623 (B,131,64) CKSRYB102K50
 C 624 (B,129,64) CKSRYB102K50
 C 625 (B,135,70) CCSRCH270J50

D 1818 (A,36,115) LED CL-195PG-CD
 D 1819 (A,36,104) LED CL-195PG-CD
 D 1820 (A,15,146) LED CL-195PG-CD
 D 1821 (A,20,151) LED CL-195PG-CD
 D 1822 (A,25,141) LED CL-195PG-CD

C 626 (B,128,70) CCSRCH270J50
 C 627 (B,133,76) CCSRCH150J50
 C 628 (B,141,62) CKSRYB102K50
 C 629 (B,134,57) CCSRCH4R0C50
 C 630 (B,141,66) CCSRCH8R0D50

D 1823 (A,26,155) LED CL-195PG-CD
 D 1825 (A,4,153) LED CL-195PG-CD
 D 1826 (B,31,145) Diode MALSO68X
 D 1827 (B,29,138) Diode MALSO68X
 D 1828 (B,36,130) Diode MALSO68X

B

C 631 (B,105,70) CKSRYB472K50
 C 632 (B,128,21) CKSRYB104K16
 C 633 (B,144,29) CKSRYB104K16
 C 634 (B,110,55) CCSRCH270J50
 C 635 (B,145,52) CKSRYB104K16

X 1801 (B,34,88) Ceramic Resonator 5 MHz CSS1731
 S 1831 (A,22,27) Rotary Encoder(VOLUME) YSD5001
 LCD CAW1930

C 640 (B,122,57) CKSRYB104K16
 C 642 (B,106,100) CKSRYB182K50
 C 643 (B,131,97) CKSRYB182K50
 C 652 (B,31,22) CKSRYB103K50
 C 821 (B,34,7) CKSRYB104K16

RESISTORS

R 1801 (B,27,78) RS1/16S222J
 R 1802 (B,28,78) RS1/16S222J
 R 1803 (B,21,15) RS1/4SA561J
 R 1804 (B,28,8) RS1/4SA561J
 R 1805 (B,17,18) RS1/4SA561J

C

C 825 (B,59,6) CCSRCH221J50
 C 826 (B,79,11) CCSRCH221J50
 C 827 (B,69,5) CCSRCH221J50
 C 828 (B,67,5) CCSRCH221J50
 C 829 (B,61,5) CCSRCH221J50

R 1806 (B,25,8) RS1/4SA561J
 R 1807 (B,17,149) RS1/4SA561J
 R 1808 (B,14,147) RS1/4SA561J
 R 1809 (B,20,149) RS1/4SA821J
 R 1813 (B,24,146) RS1/4SA681J

C 830 (B,63,5) CKSRYB104K16
 C 831 (B,65,5) CCSRCH221J50
 C 901 (A,50,112) 3 300 μ F/16 V CCH1732
 C 911 (A,56,59) CEJQ100M16
 C 912 (A,46,64) CEAT102M16

R 1832 (B,22,33) RS1/16S473J
 R 1837 (B,27,138) RS1/16S101J
 R 1838 (B,32,132) RS1/16S101J

D

C 913 (B,26,69) CKSRYB104K16
 C 914 (A,50,59) CEAT221M10
 C 915 (A,44,53) CEJQ100M16
 C 916 (A,53,49) CEJQ100M16
 C 917 (B,26,74) CKSRYB104K16

CAPACITORS

C 1801 (B,15,102) CKSRYB105K10
 C 1802 (A,26,126) CKSRYB104Z25
 C 1810 (B,26,138) CKSRYB472K50
 C 1811 (B,33,131) CKSRYB472K50

C 991 (B,9,106) CKSRYB473K25
 C 992 (A,10,95) CEJQ101M10

C**Unit Number : CWX3090****Unit Name : CD Core Unit(S10.5)****MISCELLANEOUS**

IC 201 (A,34,50) IC PE5497B
 IC 301 (A,28,14) IC BA5839FP
 Q 101 (B,57,70) Transistor 2SA1577
 Q 102 (B,15,23) Transistor 2SB1689
 X 201 (A,27,62) Ceramic Resonator 16.934 MHz CSS1603

S 901 (A,53,37) Switch(HOME) CSN1067
 S 903 (B,20,58) Switch(DSCSNS) CSN1067
 S 904 (B,39,66) Switch(12EJ) CSN1068
 S 905 (B,25,68) Switch(8EJ) CSN1068

RESISTORS

R 101 (B,57,73) RS1/10SR2R4J
 R 102 (B,60,73) RS1/10SR2R4J
 R 103 (B,60,70) RS1/10SR2R7J

B**Unit Number :****Unit Name : Keyboard Unit****MISCELLANEOUS**

IC 1801 (B,26,97) IC PD6340A
 D 1803 (A,6,11) LED CL-195PG-CD
 D 1804 (A,15,23) LED CL-195PG-CD
 D 1805 (A,27,12) LED CL-195PG-CD
 D 1806 (A,36,62) LED CL-195PG-CD

D 1807 (A,36,52) LED CL-195PG-CD
 D 1808 (A,36,44) LED CL-195PG-CD
 D 1809 (A,20,136) LED CL-195PG-CD
 D 1810 (A,22,126) LED NESW505C-5273
 D 1812 (A,31,29) LED CL-195PG-CD

D 1813 (A,20,35) LED CL-195PG-CD

<u>Circuit Symbol and No.</u>		<u>Part No.</u>	<u>Circuit Symbol and No.</u>		<u>Part No.</u>
R 105	(B,14,26)	RS1/16SS102J	C 233	(B,26,51)	CKSSYB103K16
R 106	(B,15,26)	RS1/16SS473J			
R 108	(B,58,64)	RS1/16SS105J	C 236	(B,38,54)	CKSSYB104K10
R 109	(B,44,59)	RS1/16SS102J	C 238	(A,34,66)	CKSRYB104K10
R 214	(A,43,41)	RS1/16SS332J	C 240	(A,34,64)	CKSRYB104K10
R 215	(A,42,40)	RS1/16SS183J	C 304	(A,35,19)	CKSSYB472K25
R 216	(A,45,48)	RS1/16SS122J	C 305	(A,36,22)	CKSSYB223K16
R 217	(A,47,45)	RS1/16SS562J	C 306	(A,21,10)	CKSRYB105K10
R 218	(A,47,48)	RS1/16SS472J	C 705	(B,9,34)	CCSSCH101J50
R 232	(A,24,59)	RS1/16SS0R0J	C 710	(B,10,32)	CKSSYB102K50
R 235	(A,36,30)	RS1/16SS103J			
R 236	(A,36,29)	RS1/16SS103J			
R 237	(B,24,47)	RS1/16SS221J			
R 240	(B,20,44)	RS1/16SS473J	M 1	Motor Unit(SPINDEL)	CXC7134
R 242	(A,28,32)	RS1/16SS103J	M 2	Motor Unit(LOADING/CARRIAGE)	CXC4026
R 243	(A,27,32)	RS1/16SS473J			
R 245	(B,23,49)	RS1/16SS104J			
R 246	(A,44,39)	RS1/16SS103J			
R 252	(B,23,51)	RS1/16SS104J			
R 253	(B,23,50)	RS1/16SS104J			
R 254	(B,31,47)	RS1/16SS104J			
R 260	(B,21,40)	RS1/16SS103J			
R 262	(A,36,31)	RS1/16SS472J			
R 263	(A,36,28)	RS1/16SS472J			
R 264	(B,26,31)	RS1/16SS102J			
R 305	(A,34,19)	RS1/16SS183J			
R 306	(A,37,20)	RS1/16SS183J			
R 307	(A,35,21)	RS1/16SS183J			
R 308	(A,38,23)	RS1/16SS183J			
R 601	(A,33,68)	RS1/16SS101J			
R 602	(A,32,66)	RS1/16SS101J			
R 702	(A,22,41)	RS1/16SS221J			
R 706	(B,12,35)	RS1/16SS221J			

Miscellaneous Parts List

	Pickup Unit(P10.5)(Service)	CXX1942
M 1	Motor Unit(SPINDEL)	CXC7134
M 2	Motor Unit(LOADING/CARRIAGE)	CXC4026

CAPACITORS

C 103	(B,54,64)	CEVW101M16
C 203	(A,35,60)	CKSSYB104K10
C 205	(B,43,51)	CEVW220M6R3
C 206	(A,32,60)	CKSSYB103K16
C 209	(A,28,60)	CKSRYB104K10
C 210	(A,24,55)	CKSSYB104K10
C 211	(A,24,54)	CKSSYB104K10
C 212	(A,34,40)	CKSSYB104K10
C 213	(A,43,39)	CKSSYB103K16
C 214	(A,42,39)	CKSSYB104K10
C 215	(A,38,40)	CKSSYB104K10
C 216	(A,47,43)	CKSSYB182K50
C 217	(A,47,47)	CCSSCH560J50
C 218	(A,47,49)	CCSSCH5R0C50
C 219	(A,43,47)	CKSSYB104K10
C 220	(B,39,45)	CKSSYB104K10
C 221	(A,43,43)	CKSSYB104K10
C 222	(A,44,50)	CKSSYB104K10
C 223	(A,46,54)	CCSSCH680J50
C 224	(A,44,56)	CCSSCH470J50
C 225	(A,44,60)	CKSSYB103K16
C 229	(B,46,55)	CKSSYB104K10
C 231	(B,33,32)	CKSSYB102K50
C 232	(B,32,29)	CKSSYB102K50