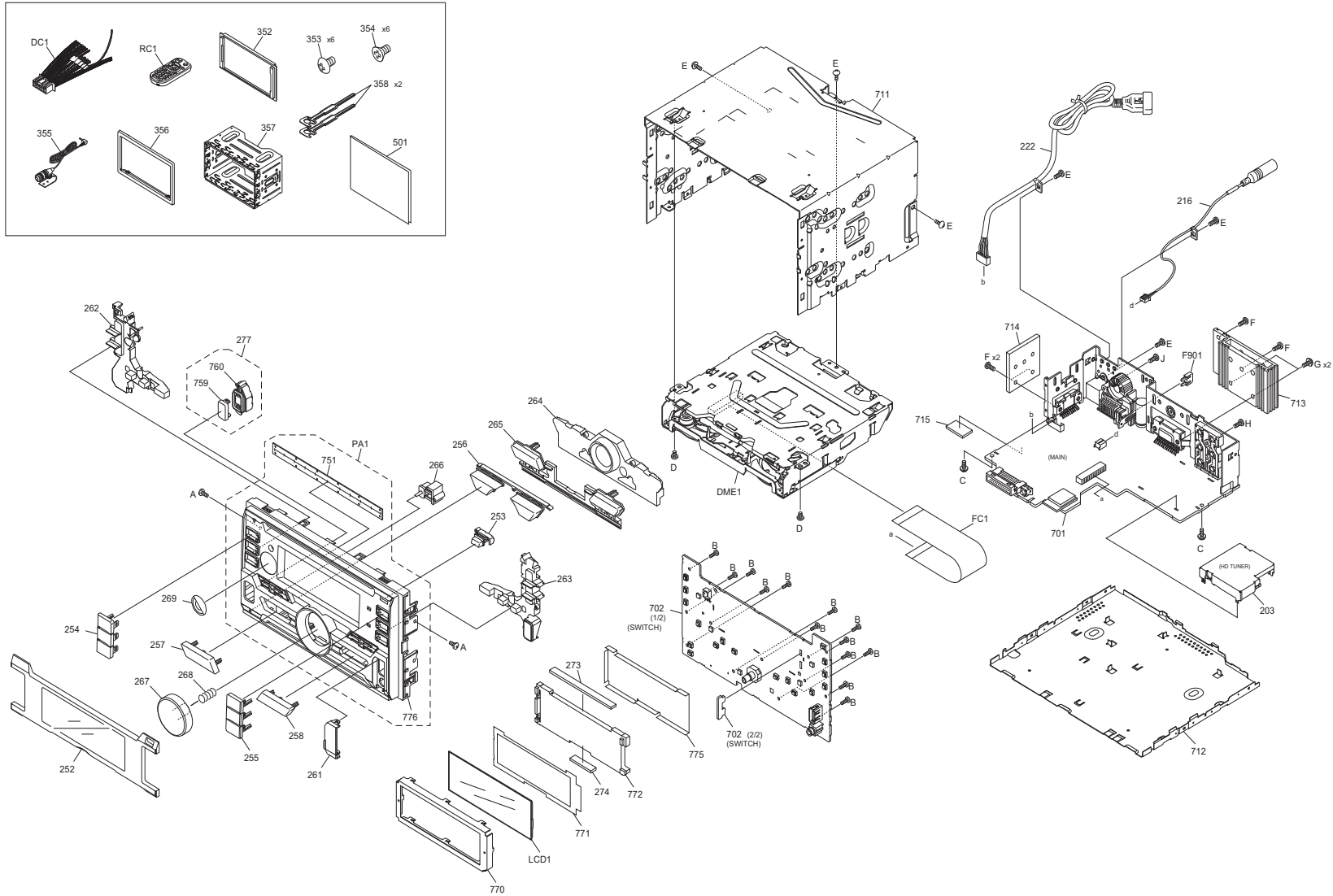


EXPLODED VIEW (UNIT)

Block No.M1MM



WA217 <Rev.001>
No.WA217

Parts with the exploded numbers larger than 700 are not supplied.
created date:2016-02-08

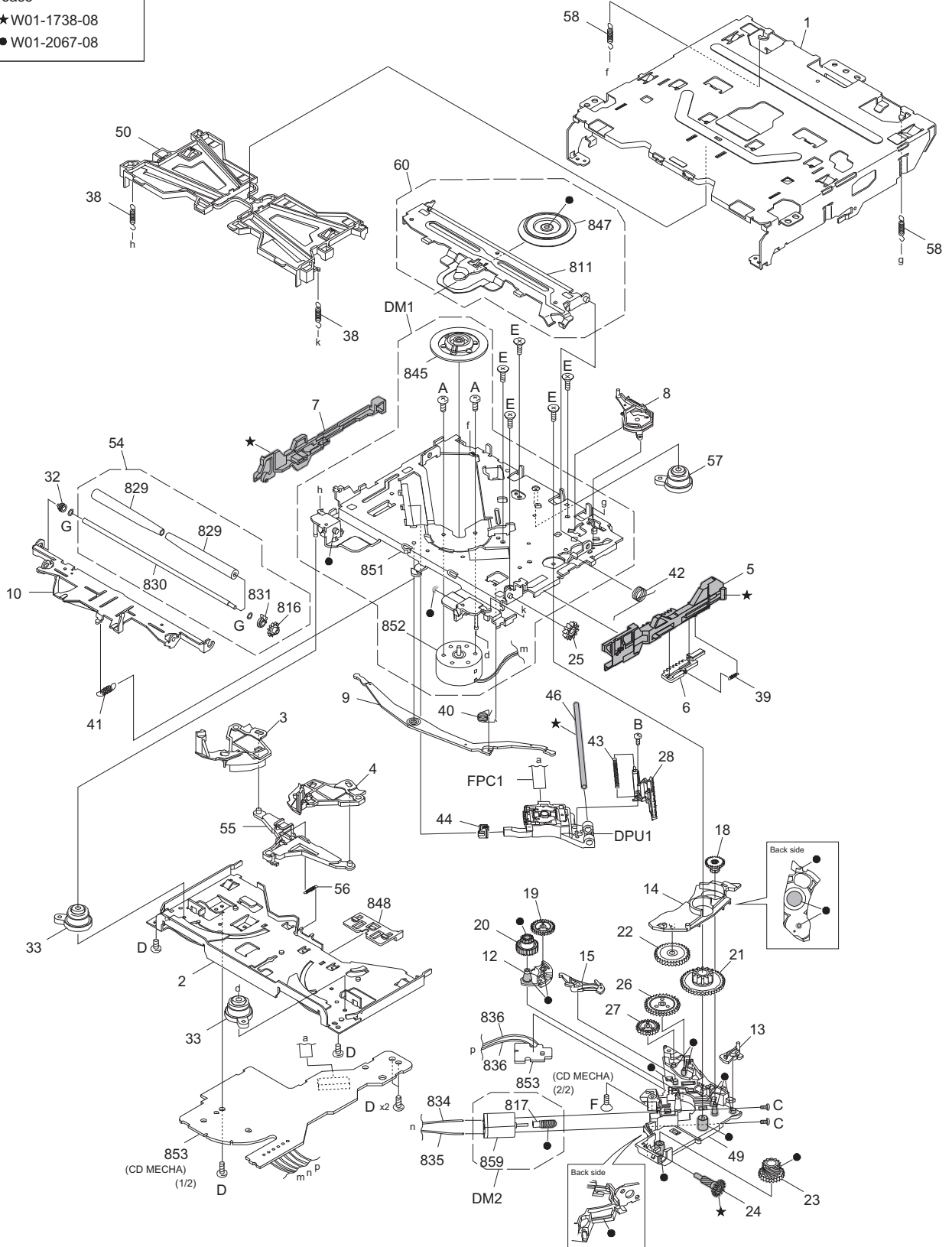
MODEL	MARK	MODEL	MARK
DPX792BH	K0	DPX702BH	K1

Safe	Symbol No.	Parts No.	Parts Name	Description	QTY	Local
EXPLODED VIEW (UNIT) <M1MM>						
△	DC1	QAM1623-002	DC CORD		1	
	DME1	XJJ-0410-00	CD MECHANISM		1	
△	F901	FZB10BT-100	BLADE FUSE		1	
	FC1	E3F-0100-00	FLAT CABLE		1	
	LCD1	B3H-0037-00	LCD		1	
	PA1	A6D-0064-03	PANEL ASSY		1	K0
	PA1	A6D-0064-02	PANEL ASSY		1	K1
	RC1	QAL1303-004	REMOCON		1	
	A	QYSDST2004ZA	TAP SCREW	M2 x 4mm	2	
	B	QYSDSF2006ZA	TAP SCREW	M2 x 6mm	13	
	C	GE40377-002A	SPECIAL SCREW		2	
	D	QYSDST2604ZA	TAP SCREW	M2.6 x 4mm	2	
	E	QYSDST2606ZA	TAP SCREW	M2.6 x 6mm	6	
	F	QYSDST2610ZA	TAP SCREW	M2.6 x 10mm	4	
	G	GE40377-005A	SPECIAL SCREW		2	
	H	QYSDSF2608ZA	TAP SCREW	M2.6 x 8mm	1	
	J	QYSPSG3008ZA	TAP SCREW	M3 x 8mm	1	
	203	XJM-0120-11	HD TUNER PWB ASSY		1	
	216	E3A-0212-00	CORD W.CON.		1	
	222	E3A-0188-00	DC CORD ASSY		1	
	252	B1A-0045-00	FRONT GLASS		1	K0
	252	B1A-0045-0G	FRONT GLASS		1	K1
	253	K2E-0038-00	PUSH KNOB		1	
	254	K2F-0041-00	PUSH KNOB		1	
	255	K2F-0042-00	PUSH KNOB		1	
	256	K2F-0043-00	PUSH KNOB		1	
	257	K2F-0044-00	PUSH KNOB		1	
	258	K2F-0045-00	PUSH KNOB		1	
	261	F0G-0126-00	COVER		1	
	262	B1K-0043-00	LIGHTING BOARD		1	
	263	B1K-0044-00	LIGHTING BOARD		1	
	264	B1K-0045-00	LIGHTING BOARD		1	
	265	K2F-0046-02	PUSH KNOB		1	K0
	265	K2F-0046-05	PUSH KNOB		1	K1
	266	K2E-0039-00	PUSH KNOB		1	
	267	K28-0533-13	KNOB		1	
	268	G01-4826-04	TOR.COIL SPRING		1	
	269	W0C-0170-00	RF TAG		1	
	273	QNZ1122-001	RUBBER CONNE		1	
	274	QNZ1123-001	RUBBER CONNE		1	
	277	K2K-0184-00	KNOB ASSY		1	
	352	B9H-0002-00	ESCUTCHEON		1	
	353	QYSDSP5008ZA	SCREW	M5 x 8mm	6	K0
	354	QYSSSP5008ZA	SCREW	M5 x 8mm	6	K0
	355	QAN0126-001	MICROPHONE		1	
	356	GE20366-001A	TRIM PLATE		1	
	357	LV22876-001A	SLEEVE ASSY		1	
	358	LV45516-001A	LEVER		2	
	501	B5A-0909-00	INST.MANUAL	ENG FRE SPA	1	
	701	-----	MAIN PWB ASSY	NO SERVICE PART	1	K0
	701	-----	MAIN PWB ASSY	NO SERVICE PART	1	K1
	702	-----	SWITCH PWB ASSY	NO SERVICE PART	1	
	711	-----	TOP CHASSIS	NO SERVICE PART	1	
	712	-----	BOTTOM PLATE	NO SERVICE PART	1	
	713	-----	HEAT SINK	NO SERVICE PART	1	
	714	-----	REG HEAT SINK	NO SERVICE PART	1	
	715	-----	COOL SHEET	NO SERVICE PART	1	
	751	-----	BLIND PLATE	NO SERVICE PART	1	
	759	-----	KEY TOP	NO SERVICE PART	1	
	760	-----	KNOB BASE	NO SERVICE PART	1	
	770	-----	LCD CASE	NO SERVICE PART	1	
	771	-----	LIGHTING SHEET	NO SERVICE PART	1	
	772	-----	LCD LENS	NO SERVICE PART	1	
	775	-----	REFLECTION SHT	NO SERVICE PART	1	
	776	-----	PANEL	NO SERVICE PART	1	K0
	776	-----	PANEL	NO SERVICE PART	1	K1

EXPLODED VIEW (CD MECHANISM: XJJ-0410-00)

Block No.MBMM

Grease
 ★W01-1738-08
 ●W01-2067-08



Parts with the exploded numbers larger than 800 are not supplied.

MODEL	MARK	MODEL	MARK
DPX792BH	K0	DPX702BH	K1

Safe	Symbol No.	Parts No.	Parts Name	Description	QTY	Local
EXPLODED VIEW (CD MECHANISM: XJJ-0410-00) <MBMM>						
	DM1	CM-FC2-MD	MD CHASSIS ASSY		1	
	DM2	CM-FC2-M	LOADING MOTOR ASSY		1	
	DPU1	T2F-0002-00	CD OPT PICKUP		1	
	FPC1	QAL1465-001	FPC		1	
	A	LV45568-001A	MINI SCREW		2	
	B	QYSPSGT1745ZA	TAP SCREW	M1.7 x 4.5mm	1	
	C	QYSPSPT2025MA	SCREW	M2 x 2.5mm	2	
	D	VKZ4539-054	MINI SCREW		5	
	E	LV45818-001A	G.HOLDER SCREW		5	
	F	LV45815-001A	M. SHAFT SCREW		1	
	G	LV45816-001A	ROLLER WASHER		2	
	1	LV11877-003A	OUTER CHASSIS		1	
	2	LV11878-004A	LOWER CHASSIS		1	
	3	LV3A174-002A	DISC ARM L		1	
	4	LV3A175-001A	DISC ARM R		1	
	5	LV23057-001A	SLIDER R		1	
	6	LV3A178-001A	TRIGGER SLIDER		1	
	7	LV23058-001A	SLIDER L		1	
	8	LV3A179-002A	TRIGGER ARM		1	
	9	LV3A173-001A	JOINT LEVER		1	
	10	LV23055-003A	ROLLER LEVER		1	
	12	LV3A181-002A	TRANSFER ARM		1	
	13	LV45797-002A	SL LOCK CAM		1	
	14	LV3A182-003A	SL LOCK ARM		1	
	15	LV3A183-001A	PICK LOCK ARM		1	
	18	LV3A187-002A	HELICAL GEAR 1		1	
	19	LV3A188-001A	TRANSFER GEAR		1	
	20	LV3A189-001A	LOAD GEAR H		1	
	21	LV3A190-001A	DRIVE GEAR		1	
	22	LV3A191-001A	JOINT GEAR		1	
	23	LV3A192-001A	WORM GEAR 2		1	
	24	LV3A193-001A	HELICAL GEAR 2		1	
	25	LV3A194-001A	LOAD GEAR V		1	
	26	LV3A195-001A	PICK GEAR 1		1	
	27	LV3A196-001A	PICK GEAR 2		1	
	28	LV3A197-001A	RACK GEAR		1	
	32	LV45796-001A	R.RETAINER L		1	
	33	D39-0403-05	DAMPER		2	
	38	LV45809-001A	FLOAT SPRING(F)		2	
	39	LV45810-001A	TRIGGER SPRING		1	
	40	LV45811-001A	LOAD SPRING		1	
	41	LV45812-001A	ROLLER SPRING		1	
	42	LV45813-002A	CLAMP SPRING		1	
	43	LV45814-001A	PICK SPRING		1	
	44	LV36813-201A	SUB GUIDE CAP		1	
	46	LV44555-001A	MAIN SHAFT		1	
	49	LV11881-002A	GEAR HOLDER		1	
	50	LV11880-003A	DISC GUIDE		1	
	54	CM-FC2-R	ROLLER ASSY		1	
	55	D10-7176-03	ARM		1	
	56	G01-4809-04	EXTEN.SPRING		1	
	57	D39-0404-05	DAMPER		1	
	58	LV45835-001A	FLOAT SPRING(R)		2	
	60	LV3A271-001A	CL BASE ASSY		1	
	811	-----	CLAMP ARM	NO SERVICE PART	1	
	816	-----	ROLLER GEAR	NO SERVICE PART	1	
	817	-----	WORM GEAR 1	NO SERVICE PART	1	
	829	-----	ROLLER	NO SERVICE PART	2	
	830	-----	ROLLER SHAFT	NO SERVICE PART	1	
	831	-----	R.RETAINER R	NO SERVICE PART	1	
	834	-----	SIN TWIST WIRE	NO SERVICE PART	1	
	835	-----	SIN TWIST WIRE	NO SERVICE PART	1	
	836	-----	SIN TWIST WIRE	NO SERVICE PART	2	
	845	-----	HC TURN TABLE	NO SERVICE PART	1	
	847	-----	CLAMPER	NO SERVICE PART	1	
	848	-----	WIRE HOLDER	NO SERVICE PART	1	
	851	-----	MD CHASSIS ASSY	NO SERVICE PART	1	
	852	-----	SPINDLE MOTOR	NO SERVICE PART	1	
	853	-----	CD MECHA PWB ASSY	NO SERVICE PART	1	
	859	-----	MOTOR	NO SERVICE PART	1	

MODEL	MARK	MODEL	MARK
DPX792BH	K0	DPX702BH	K1

Safe	Symbol No.	Parts No.	Parts Name	Description	QTY	Local
MAIN PWB ASSY (XJ1-148K-0x) <XJ1>						
	IC101	TC74HCT4053FT	MOS IC		1	
	IC102	NJM8065V	ANALOG IC		1	
	IC141	BD2242G-G	MOS IC		1	
	IC161	NJM8065V	ANALOG IC		1	
	IC162	NJM8065V	ANALOG IC		1	
	IC163	NJM8065V	ANALOG IC		1	
	IC164	NJM11100F1	ANALOG IC		1	
	IC220	NJM8065V	ANALOG IC		1	
△	IC301	JCV8034	IC		1	
	IC411	MF1337S395901	MCU IC		1	
	IC470	TC7SH08FUJF	MOS IC		1	
	IC540	BD2242G-G	MOS IC		1	
△	IC701	STA1080	MPU IC		1	
△	IC702	TC7SH08FUJF	MOS IC		1	
△	IC821	W3F-0151-00	ROM IC		1	
△	IC822	W25Q16DVSSIG	ROM IC		1	
	IC831	BU4228F-W	IC		1	
	IC841	BR24T02FJ-W-X	IC		1	
	IC851	BD00IA5WEFJ	ANALOG IC		1	
	IC862	MP9943AGQ	ANALOG IC		1	
	IC863	MP9943AGQ	ANALOG IC		1	
△	IC901	LV5685PV-H	ANALOG IC		1	
	IC930	BD33IC0WEFJ	ANALOG IC		1	
	IC941	BU33TD3WG	MOS IC		1	
	IC1303	W0C-0168-00	CIRCUIT MODULE		1	
	Q220	2SC1623/5-6/-X	TRANSISTOR		1	
	Q240	IMX9-W	PAIR TRANSISTOR		1	
	Q270	LTA024EEB-X	DIGI TRANSISTOR		1	
	Q271	LSAR523UBFS8	TRANSISTOR		1	
	Q272	LTC024EEB-X	DIGI TRANSISTOR		1	
	Q273	LTA024EEB-X	DIGI TRANSISTOR		1	
	Q370	IMX9-W	PAIR TRANSISTOR		1	
	Q380	IMX9-W	PAIR TRANSISTOR		1	
	Q470	LTC014EEBFS8	DIGI TRANSISTOR		1	
	Q471	LTC043TEB-X	DIGI TRANSISTOR		1	
	Q880	LTC043EUBFS8	DIGI TRANSISTOR		1	
	Q920	LTA014YEBFS8	DIGI TRANSISTOR		1	
	Q960	RSQ030P03-W	MOS FET		1	
	Q961	LTC044EUBFS8	DIGI TRANSISTOR		1	
	Q962	RTR020P02	FET		1	
	Q963	LTC014EUBFS8	DIGI TRANSISTOR		1	
	Q2001	LTC043TEB-X	DIGI TRANSISTOR		1	
	Q2002	LTA043EEBFS8	DIGI TRANSISTOR		1	
	Q2010	LTC043TEB-X	DIGI TRANSISTOR		1	
	Q2011	LTC043TEB-X	DIGI TRANSISTOR		1	
	Q2020	LTC043TEB-X	DIGI TRANSISTOR		1	
	Q2021	LTC043TEB-X	DIGI TRANSISTOR		1	
	Q2030	LTC043TEB-X	DIGI TRANSISTOR		1	
	Q2031	LTC043TEB-X	DIGI TRANSISTOR		1	
	D100	DZ2J075M	ZENER DIODE		1	
	D101	DZ2J075M	ZENER DIODE		1	
	D140	DZ2J056M	ZENER DIODE		1	
	D141	DZ2J056M	ZENER DIODE		1	
	D220	DZ2J068M	ZENER DIODE		1	
	D221	DZ2J068M	ZENER DIODE		1	
	D222	DZ2J056M	ZENER DIODE		1	
	D271	BAW56-TP-X	SI DIODE		1	
	D273	DA2J101	DIODE		1	
	D370	BAW56-TP-X	SI DIODE		1	
	D390	MBRX130	SCHOTTKY DIODE		1	
	D391	MBR0530-X	SB DIODE		1	
	D400	RB521SM-30-X	SB DIODE		1	
	D401	DZ2J051M	ZENER DIODE		1	
	D471	RSB6.8SM-X	BP Z DIODE		1	
	D472	RSB6.8SM-X	BP Z DIODE		1	
	D473	RSB6.8SM-X	BP Z DIODE		1	
	D474	RSB6.8SM-X	BP Z DIODE		1	
	D475	DZ2J068M	ZENER DIODE		1	
	D476	DZ2J068M	ZENER DIODE		1	
	D701	DZ2J051M	ZENER DIODE		1	
	D702	DZ2J051M	ZENER DIODE		1	
	D704	DZ2J051M	ZENER DIODE		1	
	D706	DZ2J051M	ZENER DIODE		1	
	D707	DZ2J051M	ZENER DIODE		1	
	D709	DZ2J051M	ZENER DIODE		1	
	D710	DZ2J051M	ZENER DIODE		1	
	D711	DZ2J051M	ZENER DIODE		1	
	D862	DB22306	SCHOTTKY DIODE		1	
	D902	SK34A-L-X	SB DIODE		1	
	D903	SK34A-L-X	SB DIODE		1	
	D930	GS1J-LTP	DIODE		1	
△	D990	1N5401-BPC04	SI DIODE		1	
	D2003	DA2J101	DIODE		1	
	D2004	DA2J101	DIODE		1	
	D2005	MBRX130	SCHOTTKY DIODE		1	
	D2101	DA2J101	DIODE		1	
	D2102	DA2J101	DIODE		1	
	C103	CK73FXR1C475K	C CAPACITOR	4.7uF 16V K	1	
	C104	CK73FXR1C106K	C CAPACITOR	10uF 16V K	1	
	C105	CK73FXR1C475K	C CAPACITOR	4.7uF 16V K	1	
	C106	CK73GXR1A105K	C CAPACITOR	1uF 10V K	1	

MODEL	MARK	MODEL	MARK
DPX792BH	K0	DPX702BH	K1

Safe	Symbol No.	Parts No.	Parts Name	Description	QTY	Local
	C120	CC73HCH1H180J	C CAPACITOR	18pF 50V J	1	
	C121	CC73HCH1H180J	C CAPACITOR	18pF 50V J	1	
	C122	CK73FXR1C475K	C CAPACITOR	4.7uF 16V K	1	
	C123	CK73FXR1C475K	C CAPACITOR	4.7uF 16V K	1	
	C124	CC73HCH1H050C	C CAPACITOR	5pF 50V C	1	
	C125	CC73HCH1H050C	C CAPACITOR	5pF 50V C	1	
	C126	CK73FXR1C106K	C CAPACITOR	10uF 16V K	1	
	C127	CK73FXR1C106K	C CAPACITOR	10uF 16V K	1	
	C141	CK73HXR1A105K	C CAPACITOR	1uF 10V K	1	
	C142	CK73FXR0J106K	C CAPACITOR	10uF 6.3V K	1	
	C143	CC73HCH1H270J	C CAPACITOR	27pF 50V J	1	
	C144	CC73HCH1H270J	C CAPACITOR	27pF 50V J	1	
	C145	CK73HBB1H471K	C CAPACITOR	470pF 50V K	1	
	C146	CK73HBB1H221K	C CAPACITOR	220pF 50V K	1	
	C160	CK73FXR1C106K	C CAPACITOR	10uF 16V K	1	
	C161	CK73FXR1C106K	C CAPACITOR	10uF 16V K	1	
	C162	CC73HCH1H270J	C CAPACITOR	27pF 50V J	1	
	C163	CK73HBB1H221K	C CAPACITOR	220pF 50V K	1	
	C164	CC73HCH1H270J	C CAPACITOR	27pF 50V J	1	
	C165	CK73FXR1C106K	C CAPACITOR	10uF 16V K	1	
	C166	CC73HCH1H270J	C CAPACITOR	27pF 50V J	1	
	C167	CK73FXR1C106K	C CAPACITOR	10uF 16V K	1	
	C169	CK73FXR1C106K	C CAPACITOR	10uF 16V K	1	
	C170	CC73HCH1H270J	C CAPACITOR	27pF 50V J	1	
	C171	CK73FXR1C106K	C CAPACITOR	10uF 16V K	1	
	C172	CC73HCH1H270J	C CAPACITOR	27pF 50V J	1	
	C173	CK73FXR1C106K	C CAPACITOR	10uF 16V K	1	
	C174	CK73HBB1H221K	C CAPACITOR	220pF 50V K	1	
	C175	CC73HCH1H270J	C CAPACITOR	27pF 50V J	1	
	C176	CC73HCH1H270J	C CAPACITOR	27pF 50V J	1	
	C177	CK73FXR1C106K	C CAPACITOR	10uF 16V K	1	
	C179	CK73FXR1C106K	C CAPACITOR	10uF 16V K	1	
	C180	CK73FXR1C106K	C CAPACITOR	10uF 16V K	1	
	C181	CK73FXR1C106K	C CAPACITOR	10uF 16V K	1	
	C182	CC73HCH1H270J	C CAPACITOR	27pF 50V J	1	
	C183	CK73HBB1H221K	C CAPACITOR	220pF 50V K	1	
	C184	CC73HCH1H270J	C CAPACITOR	27pF 50V J	1	
	C185	CK73FXR1C106K	C CAPACITOR	10uF 16V K	1	
	C186	CC73HCH1H270J	C CAPACITOR	27pF 50V J	1	
	C187	CK73FXR1C106K	C CAPACITOR	10uF 16V K	1	
	C189	CK73FXR1C106K	C CAPACITOR	10uF 16V K	1	
	C190	CK73HBB1H221K	C CAPACITOR	220pF 50V K	1	
	C191	CK73FXR0J106K	C CAPACITOR	10uF 6.3V K	1	
	C192	CK73FXR0J106K	C CAPACITOR	10uF 6.3V K	1	
	C193	CK73HBB1C103K	C CAPACITOR	0.01uF 16V K	1	
	C194	CK73FXR1C106K	C CAPACITOR	10uF 16V K	1	
	C195	CC73HCH1H270J	C CAPACITOR	27pF 50V J	1	
	C196	CC73HCH1H270J	C CAPACITOR	27pF 50V J	1	
	C197	CK73FXR1C106K	C CAPACITOR	10uF 16V K	1	
	C198	CK73HBB1H221K	C CAPACITOR	220pF 50V K	1	
	C222	CK73GBB1H333K	C CAPACITOR	0.033uF 50V K	1	
	C223	CK73GBB1H333K	C CAPACITOR	0.033uF 50V K	1	
	C224	CK73HXR1A105K	C CAPACITOR	1uF 10V K	1	
	C225	CK73HXR1A105K	C CAPACITOR	1uF 10V K	1	
	C226	CC73HCH1H220J	C CAPACITOR	22pF 50V J	1	
	C227	CK73HBB1H471K	C CAPACITOR	470pF 50V K	1	
	C228	CK73HXR1A105K	C CAPACITOR	1uF 10V K	1	
	C229	CK73HXR1A105K	C CAPACITOR	1uF 10V K	1	
	C230	CK73HXR1A105K	C CAPACITOR	1uF 10V K	1	
	C231	CK73HBB1H471K	C CAPACITOR	470pF 50V K	1	
	C234	CK73GXR1C105K	C CAPACITOR	1uF 16V K	1	
	C235	CK73GXR1C105K	C CAPACITOR	1uF 16V K	1	
	C236	CK73HBB1A104K	C CAPACITOR	0.1uF 10V K	1	
	C237	CK73HBB1C103K	C CAPACITOR	0.01uF 16V K	1	
	C251	CK73EXR1A106K	C CAPACITOR	10uF 10V K	1	
	C261	CK73EXR1A106K	C CAPACITOR	10uF 10V K	1	
	C273	CK73GXR1A105K	C CAPACITOR	1uF 10V K	1	
	C304	CD04EX1C220M	E CAPACITOR	22uF 16V M	1	
	C311	CK73FBB0J475K	C CAPACITOR	4.7uF 6.3V K	1	
	C312	CK730AV1C105K	C CAPACITOR	1uF 16V K	1	
	C316	CK730AV1C224K	C CAPACITOR	0.22uF 16V K	1	
	C317	CK730AV1C224K	C CAPACITOR	0.22uF 16V K	1	
	C318	CK730AV1C224K	C CAPACITOR	0.22uF 16V K	1	
	C319	CK730AV1C224K	C CAPACITOR	0.22uF 16V K	1	
	C321	CK73EXR1A106K	C CAPACITOR	10uF 10V K	1	
	C331	CK73EXR1A106K	C CAPACITOR	10uF 10V K	1	
	C341	CK73EXR1A106K	C CAPACITOR	10uF 10V K	1	
	C351	CK73EXR1A106K	C CAPACITOR	10uF 10V K	1	
	C370	CK73GXR1H104K	C CAPACITOR	0.1uF 50V K	1	
	C390	CK73FBB1H224K	C CAPACITOR	0.22uF 50V K	1	
	C391	CK73FBB1H224K	C CAPACITOR	0.22uF 50V K	1	
	C402	CK73GXR1H104K	C CAPACITOR	0.1uF 50V K	1	
	C410	CK73GXR1H104K	C CAPACITOR	0.1uF 50V K	1	
	C472	CK73GXR1H104K	C CAPACITOR	0.1uF 50V K	1	
	C473	CK73FXR1C106K	C CAPACITOR	10uF 16V K	1	
	C474	CK73GXR1C225K	C CAPACITOR	2.2uF 16V K	1	
	C475	CK73GXR1C225K	C CAPACITOR	2.2uF 16V K	1	
	C540	CK73GXR1C105K	C CAPACITOR	1uF 16V K	1	
	C541	CK73GXR1C105K	C CAPACITOR	1uF 16V K	1	
	C542	CK73FXR0J106K	C CAPACITOR	10uF 6.3V K	1	
	C625	CK73GBB1H472K	C CAPACITOR	4700pF 50V K	1	
	C626	CK73FXR0J106K	C CAPACITOR	10uF 6.3V K	1	

MODEL	MARK	MODEL	MARK
DPX792BH	K0	DPX702BH	K1

Safe	Symbol No.	Parts No.	Parts Name	Description	QTY	Local
	C627	CK73GXR1H104K	C CAPACITOR	0.1uF 50V K	1	
	C628	CC73GCH1H050C	C CAPACITOR	5pF 50V C	1	
	C629	CC73GCH1H020C	C CAPACITOR	2pF 50V C	1	
	C702	CK73FXR1C106K	C CAPACITOR	10uF 16V K	1	
	C703	CK73HBB1H103K	C CAPACITOR	0.01uF 50V K	1	
	C704	CC73HCH1H150J	C CAPACITOR	15pF 50V J	1	
	C705	CC73HCH1H150J	C CAPACITOR	15pF 50V J	1	
	C706	CK73FXR1C106K	C CAPACITOR	10uF 16V K	1	
	C707	CK73HBB1E223K	C CAPACITOR	0.022uF 25V K	1	
	C708	CC73GCH1H101J	C CAPACITOR	100pF 50V J	1	
	C709	CC73GCH1H100D	C CAPACITOR	10pF 50V D	1	
	C710	CK73HBB1H222K	C CAPACITOR	2200pF 50V K	1	
	C711	CK73GGB1H471K	C CAPACITOR	470pF 50V K	1	
	C713	CK73GXR1A105K	C CAPACITOR	1uF 10V K	1	
	C714	CK73GGB1H103K	C CAPACITOR	0.01uF 50V K	1	
	C716	CC73GCH1H101J	C CAPACITOR	100pF 50V J	1	
	C719	CK73GXR1A105K	C CAPACITOR	1uF 10V K	1	
	C720	CK73GXR1H104K	C CAPACITOR	0.1uF 50V K	1	
	C722	CK73FXR0J106K	C CAPACITOR	10uF 6.3V K	1	
	C724	CK73GGB1H103K	C CAPACITOR	0.01uF 50V K	1	
	C725	CK73FXR1C106K	C CAPACITOR	10uF 16V K	1	
	C726	CK73GGB1H103K	C CAPACITOR	0.01uF 50V K	1	
	C727	CK73FXR1C106K	C CAPACITOR	10uF 16V K	1	
	C728	CC73GCH1H101J	C CAPACITOR	100pF 50V J	1	
	C729	CK73FXR1A475K	C CAPACITOR	4.7uF 10V K	1	
	C730	CC73GCH1H101J	C CAPACITOR	100pF 50V J	1	
	C731	CK73FXR1A475K	C CAPACITOR	4.7uF 10V K	1	
	C733	CK73GXR0J475K	C CAPACITOR	4.7uF 6.3V K	1	
	C735	CK73GGB1H472K	C CAPACITOR	4700pF 50V K	1	
	C736	CC73HCH1H070D	C CAPACITOR	7pF 50V D	1	
	C737	CC73HCH1H070D	C CAPACITOR	7pF 50V D	1	
	C738	CK73GGB1H472K	C CAPACITOR	4700pF 50V K	1	
	C740	CK73GGB1H472K	C CAPACITOR	4700pF 50V K	1	
	C741	CC73GCH1H100D	C CAPACITOR	10pF 50V D	1	
	C742	CC73GCH1H101J	C CAPACITOR	100pF 50V J	1	
	C750	CK73FXR1A475K	C CAPACITOR	4.7uF 10V K	1	
	C756	CK73HXR1A105K	C CAPACITOR	1uF 10V K	1	
	C757	CC73HCH1H330J	C CAPACITOR	33pF 50V J	1	
	C820	CK73GGB1H472K	C CAPACITOR	4700pF 50V K	1	
	C821	CK73GGB1H471K	C CAPACITOR	470pF 50V K	1	
	C824	CC73GCH1H101J	C CAPACITOR	100pF 50V J	1	
	C830	CK73HBB1H471K	C CAPACITOR	470pF 50V K	1	
	C831	CK73GXR1C105K	C CAPACITOR	1uF 16V K	1	
	C840	CK73GGB1C473K	C CAPACITOR	0.047uF 16V K	1	
	C851	CK73FXR1C475K	C CAPACITOR	4.7uF 16V K	1	
	C868	QE20850-157Z	E CAPACITOR	150uF	1	
	C871	CK73HBB0J224K	C CAPACITOR	0.22uF 6.3V K	1	
	C873	CK73EBB1A106K	C CAPACITOR	10uF 10V K	1	
	C876	CK73GXR1H104K	C CAPACITOR	0.1uF 50V K	1	
	C878	CK73EBB1A106K	C CAPACITOR	10uF 10V K	1	
	C880	CK73HBB1A104K	C CAPACITOR	0.1uF 10V K	1	
	C881	CK73GGB1C224K	C CAPACITOR	0.22uF 16V K	1	
	C883	CC73HCH1H150J	C CAPACITOR	15pF 50V J	1	
	C884	QE20850-157Z	E CAPACITOR	150uF	1	
	C885	CK73EBB1A106K	C CAPACITOR	10uF 10V K	1	
	C887	CK73GXR1H104K	C CAPACITOR	0.1uF 50V K	1	
	C888	CK73GXR1H104K	C CAPACITOR	0.1uF 50V K	1	
	C889	CK73GXR1H104K	C CAPACITOR	0.1uF 50V K	1	
	C890	CK73EBB1A106K	C CAPACITOR	10uF 10V K	1	
	C891	CK73EBB1A106K	C CAPACITOR	10uF 10V K	1	
	C892	CK73GGB1C224K	C CAPACITOR	0.22uF 16V K	1	
	C893	CK73HBB0J224K	C CAPACITOR	0.22uF 6.3V K	1	
	C894	CC73HCH1H150J	C CAPACITOR	15pF 50V J	1	
	C895	CK73HBB1A104K	C CAPACITOR	0.1uF 10V K	1	
	C903	CD04AS1C220M	E CAPACITOR	22uF 16V M	1	
	C904	CK73GXR1A105K	C CAPACITOR	1uF 10V K	1	
	C905	CD04AR1C471M	E CAPACITOR	470uF 16V M	1	
	C906	CK73GXR1A105K	C CAPACITOR	1uF 10V K	1	
	C907	CD04AS0J101M	E CAPACITOR	100uF 6.3V M	1	
	C908	CK73GXR1A105K	C CAPACITOR	1uF 10V K	1	
	C909	CK73GXR1H104K	C CAPACITOR	0.1uF 50V K	1	
	C911	CK73GXR1H104K	C CAPACITOR	0.1uF 50V K	1	
	C912	CK73GXR1A105K	C CAPACITOR	1uF 10V K	1	
	C914	CK73GXR1A105K	C CAPACITOR	1uF 10V K	1	
	C916	CK73GGB1H103K	C CAPACITOR	0.01uF 50V K	1	
	C930	CK73GXR1H104K	C CAPACITOR	0.1uF 50V K	1	
	C931	CK73FXR0J106K	C CAPACITOR	10uF 6.3V K	1	
	C932	CK73GXR1A105K	C CAPACITOR	1uF 10V K	1	
	C940	CK73FXR0J106K	C CAPACITOR	10uF 6.3V K	1	
	C941	CK73GXR1H104K	C CAPACITOR	0.1uF 50V K	1	
	C942	CK73GXR1C105K	C CAPACITOR	1uF 16V K	1	
	C960	CK73GXR0J225K	C CAPACITOR	2.2uF 6.3V K	1	
	C990	QE20981-228	E CAPACITOR	2200uF	1	
	C1003	CK73GXR1H104K	C CAPACITOR	0.1uF 50V K	1	
	C1020	CK73GGB1C104K	C CAPACITOR	0.1uF 16V K	1	
	C1034	CK73GXR1H104K	C CAPACITOR	0.1uF 50V K	1	
	C1243	CK73GXR1A105K	C CAPACITOR	1uF 10V K	1	
	C1252	CC73GCH1H020C	C CAPACITOR	2pF 50V C	1	
	C1253	CC73GCH1H020C	C CAPACITOR	2pF 50V C	1	
	C1300	CK73GXR1A105K	C CAPACITOR	1uF 10V K	1	
	C1301	CK73GGB1H103K	C CAPACITOR	0.01uF 50V K	1	
	C1431	CK73GXR1H104K	C CAPACITOR	0.1uF 50V K	1	
	C1604	CK73GXR1H104K	C CAPACITOR	0.1uF 50V K	1	

MODEL	MARK	MODEL	MARK
DPX792BH	K0	DPX702BH	K1

Safe	Symbol No.	Parts No.	Parts Name	Description	QTY	Local
	C1701	CK73GGB1H472K	C CAPACITOR	4700pF 50V K	1	
	C1702	CK73GGB1H472K	C CAPACITOR	4700pF 50V K	1	
	C1900	CK73GGB1H103K	C CAPACITOR	0.01uF 50V K	1	
	C1901	CK73GGB1H472K	C CAPACITOR	4700pF 50V K	1	
	C2001	CC73GCH1H330J	C CAPACITOR	33pF 50V J	1	
	C2002	CK73GGB1H103K	C CAPACITOR	0.01uF 50V K	1	
	C2003	CK73GXR1H104K	C CAPACITOR	0.1uF 50V K	1	
	C2004	CK73GGB1H103K	C CAPACITOR	0.01uF 50V K	1	
	C2005	CK73GGB1H471K	C CAPACITOR	470pF 50V K	1	
	C2006	CK73GGB1H471K	C CAPACITOR	470pF 50V K	1	
	C2007	CK73GXR1H104K	C CAPACITOR	0.1uF 50V K	1	
	C2010	CK73FXR0J106K	C CAPACITOR	10uF 6.3V K	1	
	C2011	CK73GGB1H103K	C CAPACITOR	0.01uF 50V K	1	
	C2012	CK73GXR1H104K	C CAPACITOR	0.1uF 50V K	1	
	C2013	CK73GGB1H103K	C CAPACITOR	0.01uF 50V K	1	
	C2015	CK73GGB1H472K	C CAPACITOR	4700pF 50V K	1	
	C2018	RK73GB2A330J	MG RESISTOR	33Ω 1/10W J	1	
	C2019	CK73GXR1H104K	C CAPACITOR	0.1uF 50V K	1	
	C2020	CK73GXR1A105K	C CAPACITOR	1uF 10V K	1	
	C2021	CK73GGB1H472K	C CAPACITOR	4700pF 50V K	1	
	C2022	CK73GXR1H104K	C CAPACITOR	0.1uF 50V K	1	
	C2023	CK73GGB1H472K	C CAPACITOR	4700pF 50V K	1	
	C2024	CK73GGB1H471K	C CAPACITOR	470pF 50V K	1	
	C2025	CK73HBB1C103K	C CAPACITOR	0.01uF 16V K	1	
	C2026	CK73FXR0J106K	C CAPACITOR	10uF 6.3V K	1	
	C2029	CC73GCH1H050C	C CAPACITOR	5pF 50V C	1	
	C2030	CC73GCH1H050C	C CAPACITOR	5pF 50V C	1	
	C2031	CK73GGB1H103K	C CAPACITOR	0.01uF 50V K	1	
	C2032	RK73GH2A100D	MG RESISTOR	10Ω 1/10W D	1	
	C2033	CK73GGB1H103K	C CAPACITOR	0.01uF 50V K	1	
	C2034	CK73GGB1H103K	C CAPACITOR	0.01uF 50V K	1	
	C2035	CK73GXR1A105K	C CAPACITOR	1uF 10V K	1	
	C2036	CK73GGB1H103K	C CAPACITOR	0.01uF 50V K	1	
	C2038	CC73GCH1H101J	C CAPACITOR	100pF 50V J	1	
	C2040	CC73GCH1H100D	C CAPACITOR	10pF 50V D	1	
	C2041	CC73HCH1H101J	C CAPACITOR	100pF 50V J	1	
	C2042	CC73GCH1H101J	C CAPACITOR	100pF 50V J	1	
	C2043	CK73GGB1H103K	C CAPACITOR	0.01uF 50V K	1	
	C2044	CC73GCH1H101J	C CAPACITOR	100pF 50V J	1	
	C2045	CK73GGB1H472K	C CAPACITOR	4700pF 50V K	1	
	C2046	CK73GGB1H103K	C CAPACITOR	0.01uF 50V K	1	
	C2047	RK73GB2A000J	MG RESISTOR	0Ω 1/10W J	1	
	C2050	CK73GXR1A105K	C CAPACITOR	1uF 10V K	1	
	C2051	CC73HCH1H050C	C CAPACITOR	5pF 50V C	1	
	C2052	CC73GCH1H470J	C CAPACITOR	47pF 50V J	1	
	C2054	CK73GXR1H104K	C CAPACITOR	0.1uF 50V K	1	
	C2055	CK73FXR1C106K	C CAPACITOR	10uF 16V K	1	
	C2058	CK73GGB1H103K	C CAPACITOR	0.01uF 50V K	1	
	C2060	CK73GGB1H472K	C CAPACITOR	4700pF 50V K	1	
	C2061	CK73GGB1H103K	C CAPACITOR	0.01uF 50V K	1	
	C2062	CK73HBB1A104K	C CAPACITOR	0.1uF 10V K	1	
	C2063	CK73GGB1H103K	C CAPACITOR	0.01uF 50V K	1	
	C2064	CC73GCH1H101J	C CAPACITOR	100pF 50V J	1	
	C2065	CK73GXR1A105K	C CAPACITOR	1uF 10V K	1	
	C2066	CK73GXR1A105K	C CAPACITOR	1uF 10V K	1	
	C2067	CC73GCH1H101J	C CAPACITOR	100pF 50V J	1	
	C2069	CK73GGB1H472K	C CAPACITOR	4700pF 50V K	1	
	C2070	CK73GGB1H103K	C CAPACITOR	0.01uF 50V K	1	
	C2072	CK73HBB1H472K	C CAPACITOR	4700pF 50V K	1	
	C2073	CC73HCH1H101J	C CAPACITOR	100pF 50V J	1	
	C2074	CK73EBB1E105K	C CAPACITOR	1uF 25V K	1	
	C2076	CC73GCH1H330J	C CAPACITOR	33pF 50V J	1	
	C2077	CK73GXR1C105K	C CAPACITOR	1uF 16V K	1	
	C2079	CK73GGB1H472K	C CAPACITOR	4700pF 50V K	1	
	C2080	CC73GCH1H330J	C CAPACITOR	33pF 50V J	1	
	C2081	CK73GGB1H472K	C CAPACITOR	4700pF 50V K	1	
	C2082	CK73GGB1H103K	C CAPACITOR	0.01uF 50V K	1	
	C2083	CK73GGB1H471K	C CAPACITOR	470pF 50V K	1	
	C2085	CC73HCH1H050C	C CAPACITOR	5pF 50V C	1	
	C2087	CC73HCH1H101J	C CAPACITOR	100pF 50V J	1	
	C2088	CK73FXR0J106K	C CAPACITOR	10uF 6.3V K	1	
	C2089	CK73HBB1H331K	C CAPACITOR	330pF 50V K	1	
	C2090	CK73HBB1H331K	C CAPACITOR	330pF 50V K	1	
	C2091	CK73GXR0J475K	C CAPACITOR	4.7uF 6.3V K	1	
	C2092	CK73GXR0J475K	C CAPACITOR	4.7uF 6.3V K	1	
	C2093	CK73HBB1H331K	C CAPACITOR	330pF 50V K	1	
	C2094	CK73HBB1H331K	C CAPACITOR	330pF 50V K	1	
	C2095	CK73GXR0J475K	C CAPACITOR	4.7uF 6.3V K	1	
	C2096	CK73GXR0J475K	C CAPACITOR	4.7uF 6.3V K	1	
	C2097	CK73HBB1H331K	C CAPACITOR	330pF 50V K	1	
	C2098	CK73HBB1H331K	C CAPACITOR	330pF 50V K	1	
	C2099	CK73GXR0J475K	C CAPACITOR	4.7uF 6.3V K	1	
	C2100	CK73GXR0J475K	C CAPACITOR	4.7uF 6.3V K	1	
	C2101	CK73FXR1C106K	C CAPACITOR	10uF 16V K	1	
	C2102	CK73FXR1C106K	C CAPACITOR	10uF 16V K	1	
	C2103	CK73FXR1A106K	C CAPACITOR	10uF 10V K	1	
	C2104	CK73GGB1H103K	C CAPACITOR	0.01uF 50V K	1	
	C2111	CK73GGB1H471K	C CAPACITOR	470pF 50V K	1	
	C2112	CK73GGB1H472K	C CAPACITOR	4700pF 50V K	1	
	C2114	CK73GGB1H472K	C CAPACITOR	4700pF 50V K	1	
	C2115	CK73GGB1H472K	C CAPACITOR	4700pF 50V K	1	
	C2116	CK73GGB1H103K	C CAPACITOR	0.01uF 50V K	1	

MODEL	MARK	MODEL	MARK
DPX792BH	K0	DPX702BH	K1

Safe	Symbol No.	Parts No.	Parts Name	Description	QTY	Local
	C2120	CK73GXR1H104K	C CAPACITOR	0.1uF 50V K	1	
	C2213	CK73GXR1H104K	C CAPACITOR	0.1uF 50V K	1	
	C2216	CK73GBB1H472K	C CAPACITOR	4700pF 50V K	1	
	R100	RK73GB2A471J	MG RESISTOR	470Ω 1/10W J	1	
	R101	RK73HB1J000J	MG RESISTOR	0Ω 1/16W J	1	
	R102	RK73HB1J000J	MG RESISTOR	0Ω 1/16W J	1	
	R110	RK73HB1J473J	MG RESISTOR	47kΩ 1/16W J	1	
	R111	RK73HB1J473J	MG RESISTOR	47kΩ 1/16W J	1	
	R112	RK73HB1J473J	MG RESISTOR	47kΩ 1/16W J	1	
	R113	RK73GB2A473J	MG RESISTOR	47kΩ 1/10W J	1	
	R114	RK73HB1J473J	MG RESISTOR	47kΩ 1/16W J	1	
	R115	RK73HB1J473J	MG RESISTOR	47kΩ 1/16W J	1	
	R120	RK73HB1J913J	MG RESISTOR	91kΩ 1/16W J	1	
	R121	RK73HB1J913J	MG RESISTOR	91kΩ 1/16W J	1	
	R122	RK73HB1J913J	MG RESISTOR	91kΩ 1/16W J	1	
	R123	RK73HB1J913J	MG RESISTOR	91kΩ 1/16W J	1	
	R124	RK73HB1J473J	MG RESISTOR	47kΩ 1/16W J	1	
	R125	RK73HB1J473J	MG RESISTOR	47kΩ 1/16W J	1	
	R126	RK73HB1J473J	MG RESISTOR	47kΩ 1/16W J	1	
	R127	RK73HB1J473J	MG RESISTOR	47kΩ 1/16W J	1	
	R141	RK73HB1J222J	MG RESISTOR	2.2kΩ 1/16W J	1	
	R143	RK73HH1J123D	MG RESISTOR	12kΩ 1/16W D	1	
	R144	RK73GB2A000J	MG RESISTOR	0Ω 1/10W J	1	
	R146	RK73GB2A123J	MG RESISTOR	12kΩ 1/10W J	1	
	R147	RK73HB1J000J	MG RESISTOR	0Ω 1/16W J	1	
	R148	RK73HB1J153J	MG RESISTOR	15kΩ 1/16W J	1	
	R149	RK73HB1J000J	MG RESISTOR	0Ω 1/16W J	1	
	R150	RK73GB2A123J	MG RESISTOR	12kΩ 1/10W J	1	
	R151	RK73HB1J153J	MG RESISTOR	15kΩ 1/16W J	1	
	R152	RK73GB2A120J	MG RESISTOR	12Ω 1/10W J	1	
	R153	RK73GB2A200J	MG RESISTOR	20Ω 1/10W J	1	
	R154	RK73GB2A120J	MG RESISTOR	12Ω 1/10W J	1	
	R155	RK73GB2A200J	MG RESISTOR	20Ω 1/10W J	1	
	R156	RK73GB2A200J	MG RESISTOR	20Ω 1/10W J	1	
	R157	RK73GB2A200J	MG RESISTOR	20Ω 1/10W J	1	
	R158	RK73GB2A000J	MG RESISTOR	0Ω 1/10W J	1	
	R159	RK73GB2A000J	MG RESISTOR	0Ω 1/10W J	1	
	R160	RK73HB1J000J	MG RESISTOR	0Ω 1/16W J	1	
	R161	RK73GB2A202J	MG RESISTOR	2kΩ 1/10W J	1	
	R162	RK73HB1J823J	MG RESISTOR	82kΩ 1/16W J	1	
	R163	RK73HB1J153J	MG RESISTOR	15kΩ 1/16W J	1	
	R164	RK73HB1J823J	MG RESISTOR	82kΩ 1/16W J	1	
	R165	RK73GB2A123J	MG RESISTOR	12kΩ 1/10W J	1	
	R166	RK73HB1J153J	MG RESISTOR	15kΩ 1/16W J	1	
	R167	RK73GB2A120J	MG RESISTOR	12Ω 1/10W J	1	
	R168	RK73GB2A200J	MG RESISTOR	20Ω 1/10W J	1	
	R169	RK73HB1J153J	MG RESISTOR	15kΩ 1/16W J	1	
	R170	RK73GB2A202J	MG RESISTOR	2kΩ 1/10W J	1	
	R171	RK73HB1J823J	MG RESISTOR	82kΩ 1/16W J	1	
	R172	RK73HB1J823J	MG RESISTOR	82kΩ 1/16W J	1	
	R173	RK73GB2A202J	MG RESISTOR	2kΩ 1/10W J	1	
	R174	RK73HB1J823J	MG RESISTOR	82kΩ 1/16W J	1	
	R175	RK73HB1J153J	MG RESISTOR	15kΩ 1/16W J	1	
	R176	RK73HB1J823J	MG RESISTOR	82kΩ 1/16W J	1	
	R177	RK73GB2A120J	MG RESISTOR	12Ω 1/10W J	1	
	R178	RK73GB2A123J	MG RESISTOR	12kΩ 1/10W J	1	
	R179	RK73HB1J000J	MG RESISTOR	0Ω 1/16W J	1	
	R180	RK73HB1J153J	MG RESISTOR	15kΩ 1/16W J	1	
	R181	RK73HB1J153J	MG RESISTOR	15kΩ 1/16W J	1	
	R182	RK73GB2A202J	MG RESISTOR	2kΩ 1/10W J	1	
	R183	RK73HB1J823J	MG RESISTOR	82kΩ 1/16W J	1	
	R184	RK73HH1J392D	MG RESISTOR	3.9kΩ 1/16W D	1	
	R185	RK73GB2A123J	MG RESISTOR	12kΩ 1/10W J	1	
	R186	RK73HB1J823J	MG RESISTOR	82kΩ 1/16W J	1	
	R187	RK73HB1J153J	MG RESISTOR	15kΩ 1/16W J	1	
	R188	RK73HB1J823J	MG RESISTOR	82kΩ 1/16W J	1	
	R189	RK73HB1J000J	MG RESISTOR	0Ω 1/16W J	1	
	R190	RK73GB2A202J	MG RESISTOR	2kΩ 1/10W J	1	
	R191	RK73HB1J153J	MG RESISTOR	15kΩ 1/16W J	1	
	R192	RK73GB2A200J	MG RESISTOR	20Ω 1/10W J	1	
	R193	RK73HB1J153J	MG RESISTOR	15kΩ 1/16W J	1	
	R194	RK73GB2A202J	MG RESISTOR	2kΩ 1/10W J	1	
	R195	RK73HB1J823J	MG RESISTOR	82kΩ 1/16W J	1	
	R196	RK73HB1J823J	MG RESISTOR	82kΩ 1/16W J	1	
	R197	RK73HB1J823J	MG RESISTOR	82kΩ 1/16W J	1	
	R198	RK73HH1J102D	MG RESISTOR	1kΩ 1/16W D	1	
	R199	RK73GB2A123J	MG RESISTOR	12kΩ 1/10W J	1	
	R200	RK73GB2A000J	MG RESISTOR	0Ω 1/10W J	1	
	R201	RK73GB2A000J	MG RESISTOR	0Ω 1/10W J	1	
	R220	RK73HB1J101J	MG RESISTOR	100Ω 1/16W J	1	
	R221	RK73HB1J101J	MG RESISTOR	100Ω 1/16W J	1	
	R222	RK73GB2A000J	MG RESISTOR	0Ω 1/10W J	1	
	R223	RK73HB1J822J	MG RESISTOR	8.2kΩ 1/16W J	1	
	R224	RK73HB1J103J	MG RESISTOR	10kΩ 1/16W J	1	
	R225	RK73HB1J333J	MG RESISTOR	33kΩ 1/16W J	1	
	R226	RK73HB1J122J	MG RESISTOR	1.2kΩ 1/16W J	1	
	R227	RK73HB1J124J	MG RESISTOR	120kΩ 1/16W J	1	
	R229	RK73HB1J122J	MG RESISTOR	1.2kΩ 1/16W J	1	
	R230	RK73HB1J124J	MG RESISTOR	120kΩ 1/16W J	1	
	R231	RK73HB1J103J	MG RESISTOR	10kΩ 1/16W J	1	
	R232	RK73HB1J103J	MG RESISTOR	10kΩ 1/16W J	1	
	R233	RK73GB2A681J	MG RESISTOR	680Ω 1/10W J	1	

MODEL	MARK	MODEL	MARK
DPX792BH	K0	DPX702BH	K1

Safe	Symbol No.	Parts No.	Parts Name	Description	QTY	Local
	R234	RK73GB2A222J	MG RESISTOR	2.2kΩ 1/10W J	1	
	R236	RK73GB2A000J	MG RESISTOR	0Ω 1/10W J	1	
	R237	RK73GB2A471J	MG RESISTOR	470Ω 1/10W J	1	
	R238	RK73HB1J103J	MG RESISTOR	10kΩ 1/16W J	1	
	R239	RK73HB1J000J	MG RESISTOR	0Ω 1/16W J	1	
	R240	RK73HB1J153J	MG RESISTOR	15kΩ 1/16W J	1	
	R250	RK73GB2A181J	MG RESISTOR	180Ω 1/10W J	1	
	R251	RK73HB1J223J	MG RESISTOR	22kΩ 1/16W J	1	
	R252	RK73GB2A331J	MG RESISTOR	330Ω 1/10W J	1	
	R254	RK73HB1J472J	MG RESISTOR	4.7kΩ 1/16W J	1	
	R260	RK73GB2A181J	MG RESISTOR	180Ω 1/10W J	1	
	R261	RK73HB1J223J	MG RESISTOR	22kΩ 1/16W J	1	
	R262	RK73GB2A331J	MG RESISTOR	330Ω 1/10W J	1	
	R264	RK73HB1J472J	MG RESISTOR	4.7kΩ 1/16W J	1	
	R270	RK73GB2A104J	MG RESISTOR	100kΩ 1/10W J	1	
	R271	RK73GB2A331J	MG RESISTOR	330Ω 1/10W J	1	
	R272	RK73HB1J303J	MG RESISTOR	30kΩ 1/16W J	1	
	R273	RK73EB2E223J	MG RESISTOR	22kΩ 1/4W J	1	
	R302	RK73GB2A821J	MG RESISTOR	820Ω 1/10W J	1	
	R303	RK73EB2E3R0J	MG RESISTOR	3Ω 1/4W J	1	
	R304	RK73GB2A473J	MG RESISTOR	47kΩ 1/10W J	1	
	R320	RK73GB2A181J	MG RESISTOR	180Ω 1/10W J	1	
	R321	RK73HB1J223J	MG RESISTOR	22kΩ 1/16W J	1	
	R322	RK73HB1J472J	MG RESISTOR	4.7kΩ 1/16W J	1	
	R323	RK73GB2A331J	MG RESISTOR	330Ω 1/10W J	1	
	R330	RK73GB2A181J	MG RESISTOR	180Ω 1/10W J	1	
	R331	RK73HB1J223J	MG RESISTOR	22kΩ 1/16W J	1	
	R332	RK73HB1J472J	MG RESISTOR	4.7kΩ 1/16W J	1	
	R333	RK73GB2A331J	MG RESISTOR	330Ω 1/10W J	1	
	R340	RK73GB2A181J	MG RESISTOR	180Ω 1/10W J	1	
	R341	RK73HB1J223J	MG RESISTOR	22kΩ 1/16W J	1	
	R342	RK73HB1J472J	MG RESISTOR	4.7kΩ 1/16W J	1	
	R343	RK73GB2A331J	MG RESISTOR	330Ω 1/10W J	1	
	R350	RK73GB2A181J	MG RESISTOR	180Ω 1/10W J	1	
	R351	RK73HB1J223J	MG RESISTOR	22kΩ 1/16W J	1	
	R352	RK73HB1J472J	MG RESISTOR	4.7kΩ 1/16W J	1	
	R353	RK73GB2A331J	MG RESISTOR	330Ω 1/10W J	1	
	R370	RK73GB2A683J	MG RESISTOR	68kΩ 1/10W J	1	
	R371	RK73GB2A123J	MG RESISTOR	12kΩ 1/10W J	1	
	R372	RK73GB2A103J	MG RESISTOR	10kΩ 1/10W J	1	
	R390	RK73EB2E472J	MG RESISTOR	4.7kΩ 1/4W J	1	
	R400	RK73GB2A102J	MG RESISTOR	1kΩ 1/10W J	1	
	R402	RK73HB1J222J	MG RESISTOR	2.2kΩ 1/16W J	1	
	R410	RK73HB1J101J	MG RESISTOR	100Ω 1/16W J	1	
	R411	RK73HB1J101J	MG RESISTOR	100Ω 1/16W J	1	
	R412	RK73HB1J472J	MG RESISTOR	4.7kΩ 1/16W J	1	
	R413	RK73HB1J472J	MG RESISTOR	4.7kΩ 1/16W J	1	
	R414	RK73GB2A472J	MG RESISTOR	4.7kΩ 1/10W J	1	
	R437	RK73GB2A000J	MG RESISTOR	0Ω 1/10W J	1	
	R438	RK73GB2A000J	MG RESISTOR	0Ω 1/10W J	1	
	R439	RK73GB2A000J	MG RESISTOR	0Ω 1/10W J	1	
	R444	RK73EB2E000J	MG RESISTOR	0Ω 1/4W J	1	
	R467	RK73HB1J100J	MG RESISTOR	10Ω 1/16W J	1	
	R468	RK73HB1J4R7J	MG RESISTOR	4.7Ω 1/16W J	1	
	R469	RK73HB1J100J	MG RESISTOR	10Ω 1/16W J	1	
	R471	RK73HB1J101J	MG RESISTOR	100Ω 1/16W J	1	
	R472	RK73HB1J101J	MG RESISTOR	100Ω 1/16W J	1	
	R473	RK73GB2A472J	MG RESISTOR	4.7kΩ 1/10W J	1	
	R474	RK73FB2B221J	MG RESISTOR	220Ω 1/8W J	1	
	R475	RK73HB1J100J	MG RESISTOR	10Ω 1/16W J	1	
	R476	RK73GB2A223J	MG RESISTOR	22kΩ 1/10W J	1	
	R477	RK73GB2A104J	MG RESISTOR	100kΩ 1/10W J	1	
	R540	RK73GH2A123D	MG RESISTOR	12kΩ 1/10W D	1	
	R542	RK73GB2A222J	MG RESISTOR	2.2kΩ 1/10W J	1	
	R543	RK73GB2A000J	MG RESISTOR	0Ω 1/10W J	1	
	R607	RK73GB2A100J	MG RESISTOR	10Ω 1/10W J	1	
	R608	RK73GB2A000J	MG RESISTOR	0Ω 1/10W J	1	
	R650	RK73GB2A101J	MG RESISTOR	100Ω 1/10W J	1	
	R651	RK73GB2A101J	MG RESISTOR	100Ω 1/10W J	1	
	R652	RK73GB2A101J	MG RESISTOR	100Ω 1/10W J	1	
	R653	RK73GB2A101J	MG RESISTOR	100Ω 1/10W J	1	
	R654	RK73GB2A101J	MG RESISTOR	100Ω 1/10W J	1	
	R680	RK73GB2A101J	MG RESISTOR	100Ω 1/10W J	1	
	R682	RK73HB1J101J	MG RESISTOR	100Ω 1/16W J	1	
	R683	RK73GB2A000J	MG RESISTOR	0Ω 1/10W J	1	
	R684	RK73HB1J392J	MG RESISTOR	3.9kΩ 1/16W J	1	
	R685	RK73HB1J392J	MG RESISTOR	3.9kΩ 1/16W J	1	
	R688	RK73GB2A332J	MG RESISTOR	3.3kΩ 1/10W J	1	
	R701	RK73HB1J000J	MG RESISTOR	0Ω 1/16W J	1	
	R702	RK73HB1J222J	MG RESISTOR	2.2kΩ 1/16W J	1	
	R703	RK73HB1J101J	MG RESISTOR	100Ω 1/16W J	1	
	R704	RK73HB1J222J	MG RESISTOR	2.2kΩ 1/16W J	1	
	R705	RK73HB1J101J	MG RESISTOR	100Ω 1/16W J	1	
	R709	RK73HB1J472J	MG RESISTOR	4.7kΩ 1/16W J	1	
	R710	RK73HB1J473J	MG RESISTOR	47kΩ 1/16W J	1	
	R711	RK73HB1J473J	MG RESISTOR	47kΩ 1/16W J	1	
	R712	RK73HB1J473J	MG RESISTOR	47kΩ 1/16W J	1	
	R713	RK73HB1J101J	MG RESISTOR	100Ω 1/16W J	1	
	R714	RK73HB1J473J	MG RESISTOR	47kΩ 1/16W J	1	
	R715	RK73GB2A101J	MG RESISTOR	100Ω 1/10W J	1	
	R718	RK73HB1J472J	MG RESISTOR	4.7kΩ 1/16W J	1	
	R721	RK73HB1J101J	MG RESISTOR	100Ω 1/16W J	1	
	R723	RK73GB2A101J	MG RESISTOR	100Ω 1/10W J	1	

MODEL	MARK	MODEL	MARK
DPX792BH	K0	DPX702BH	K1

Safe	Symbol No.	Parts No.	Parts Name	Description	QTY	Local
	R725	RK73GB2A101J	MG RESISTOR	100Ω 1/10W J	1	
	R726	RK73HB1J103J	MG RESISTOR	10kΩ 1/16W J	1	
	R730	RK73HB1J222J	MG RESISTOR	2.2kΩ 1/16W J	1	
	R731	RK73GB2A101J	MG RESISTOR	100Ω 1/10W J	1	
	R733	RK73GB2A103J	MG RESISTOR	10kΩ 1/10W J	1	
	R734	RK73GB2A101J	MG RESISTOR	100Ω 1/10W J	1	
	R737	RK73GB2A101J	MG RESISTOR	100Ω 1/10W J	1	
	R739	RK73GB2A102J	MG RESISTOR	1kΩ 1/10W J	1	
	R740	RK73GB2A472J	MG RESISTOR	4.7kΩ 1/10W J	1	
	R743	RK73HB1J222J	MG RESISTOR	2.2kΩ 1/16W J	1	
	R744	RK73GB2A101J	MG RESISTOR	100Ω 1/10W J	1	
	R746	RK73HB1J000J	MG RESISTOR	0Ω 1/16W J	1	
	R748	RK73GB2A101J	MG RESISTOR	100Ω 1/10W J	1	
	R750	RK73GB2A101J	MG RESISTOR	100Ω 1/10W J	1	
	R752	RK73GB2A101J	MG RESISTOR	100Ω 1/10W J	1	
	R755	RK73HB1J103J	MG RESISTOR	10kΩ 1/16W J	1	
	R756	RK73GB2A101J	MG RESISTOR	100Ω 1/10W J	1	
	R769	RK73HB1J473J	MG RESISTOR	47kΩ 1/16W J	1	
	R770	RK73GB2A223J	MG RESISTOR	22kΩ 1/10W J	1	K0
	R770	RK73GB2A153J	MG RESISTOR	15kΩ 1/10W J	1	K1
	R771	RK73HB1J273J	MG RESISTOR	27kΩ 1/16W J	1	K0
	R771	RK73HB1J333J	MG RESISTOR	33kΩ 1/16W J	1	K1
	R772	RK73HB1J101J	MG RESISTOR	100Ω 1/16W J	1	
	R777	RK73HB1J101J	MG RESISTOR	100Ω 1/16W J	1	
	R778	RK73HB1J101J	MG RESISTOR	100Ω 1/16W J	1	
	R780	RK73GB2A000J	MG RESISTOR	0Ω 1/10W J	1	
	R781	RK73HB1J000J	MG RESISTOR	0Ω 1/16W J	1	
	R782	RK73HB1J000J	MG RESISTOR	0Ω 1/16W J	1	
	R783	RK73HB1J000J	MG RESISTOR	0Ω 1/16W J	1	
	R784	RK73HB1J000J	MG RESISTOR	0Ω 1/16W J	1	
	R785	RK73HB1J000J	MG RESISTOR	0Ω 1/16W J	1	
	R786	RK73HB1J000J	MG RESISTOR	0Ω 1/16W J	1	
	R787	RK73GB2A000J	MG RESISTOR	0Ω 1/10W J	1	
	R788	RK73GH2A823D	MG RESISTOR	82kΩ 1/10W D	1	
	R789	RK73GH2A393D	MG RESISTOR	39kΩ 1/10W D	1	
	R790	RK73GB2A000J	MG RESISTOR	0Ω 1/10W J	1	
	R792	RK73GB2A000J	MG RESISTOR	0Ω 1/10W J	1	
	R794	RK73GB2A101J	MG RESISTOR	100Ω 1/10W J	1	
	R795	RK73HB1J101J	MG RESISTOR	100Ω 1/16W J	1	
	R796	RK73GH2A302D	MG RESISTOR	3kΩ 1/10W D	1	
	R797	RK73HB1J222J	MG RESISTOR	2.2kΩ 1/16W J	1	
	R798	RK73HB1J222J	MG RESISTOR	2.2kΩ 1/16W J	1	
	R799	RK73HB1J105J	MG RESISTOR	1MΩ 1/16W J	1	
	R800	RK73HB1J000J	MG RESISTOR	0Ω 1/16W J	1	
	R801	RK73HB1J222J	MG RESISTOR	2.2kΩ 1/16W J	1	
	R803	RK73HB1J225J	MG RESISTOR	2.2MΩ 1/16W J	1	
	R805	RK73GB2A102J	MG RESISTOR	1kΩ 1/10W J	1	
	R806	RK73HB1J102J	MG RESISTOR	1kΩ 1/16W J	1	
	R808	RK73HB1J222J	MG RESISTOR	2.2kΩ 1/16W J	1	
	R809	RK73HB1J102J	MG RESISTOR	1kΩ 1/16W J	1	
	R817	RK73HB1J222J	MG RESISTOR	2.2kΩ 1/16W J	1	
	R820	RK73HB1J473J	MG RESISTOR	47kΩ 1/16W J	1	
	R823	RK73GB2A470J	MG RESISTOR	47Ω 1/10W J	1	
	R824	RK73HB1J473J	MG RESISTOR	47kΩ 1/16W J	1	
	R827	RK73HB1J103J	MG RESISTOR	10kΩ 1/16W J	1	
	R828	RK73GB2A103J	MG RESISTOR	10kΩ 1/10W J	1	
	R829	RK73HB1J000J	MG RESISTOR	0Ω 1/16W J	1	
	R830	RK73GB2A101J	MG RESISTOR	100Ω 1/10W J	1	
	R840	RK73GB2A101J	MG RESISTOR	100Ω 1/10W J	1	
	R841	RK73GB2A101J	MG RESISTOR	100Ω 1/10W J	1	
	R842	RK73GB2A101J	MG RESISTOR	100Ω 1/10W J	1	
	R850	RK73HH1J123D	MG RESISTOR	12kΩ 1/16W D	1	
	R851	RK73HH1J243D	MG RESISTOR	24kΩ 1/16W D	1	
	R868	RK73GB2A512J	MG RESISTOR	5.1kΩ 1/10W J	1	
	R869	RK73GB2A102J	MG RESISTOR	1kΩ 1/10W J	1	
	R870	RK73GB2A000J	MG RESISTOR	0Ω 1/10W J	1	
	R871	RK73HB1J393J	MG RESISTOR	39kΩ 1/16W J	1	
	R872	RK73HB1J200J	MG RESISTOR	20Ω 1/16W J	1	
	R873	RK73HH1J183D	MG RESISTOR	18kΩ 1/16W D	1	
	R875	RK73HH1J393D	MG RESISTOR	39kΩ 1/16W D	1	
	R876	RK73HH1J683D	MG RESISTOR	68kΩ 1/16W D	1	
	R878	RK73GB2A103J	MG RESISTOR	10kΩ 1/10W J	1	
	R879	RK73HB1J393J	MG RESISTOR	39kΩ 1/16W J	1	
	R880	RK73HB1J222J	MG RESISTOR	2.2kΩ 1/16W J	1	
	R881	RK73HB1J200J	MG RESISTOR	20Ω 1/16W J	1	
	R882	RK73HH1J393D	MG RESISTOR	39kΩ 1/16W D	1	
	R884	RK73HH1J183D	MG RESISTOR	18kΩ 1/16W D	1	
	R885	RK73HH1J683D	MG RESISTOR	68kΩ 1/16W D	1	
	R886	RK73GB2A513J	MG RESISTOR	51kΩ 1/10W J	1	
	R888	RK73GB2A103J	MG RESISTOR	10kΩ 1/10W J	1	
	R889	RK73HB1J332J	MG RESISTOR	3.3kΩ 1/16W J	1	
	R890	RK73GB2A000J	MG RESISTOR	0Ω 1/10W J	1	
	R905	RK73GB2A101J	MG RESISTOR	100Ω 1/10W J	1	
	R940	RK73EB2E1R0J	MG RESISTOR	1Ω 1/4W J	1	
	R960	RK73GB2A103J	MG RESISTOR	10kΩ 1/10W J	1	
	R961	RK73GB2A151J	MG RESISTOR	150Ω 1/10W J	1	
	R962	RK73GB2A223J	MG RESISTOR	22kΩ 1/10W J	1	
	R963	RK73GB2A471J	MG RESISTOR	470Ω 1/10W J	1	
	R964	RK73GB2A332J	MG RESISTOR	3.3kΩ 1/10W J	1	
	R966	RK73GB2A152J	MG RESISTOR	1.5kΩ 1/10W J	1	
	R967	RK73GB2A822J	MG RESISTOR	8.2kΩ 1/10W J	1	
	R980	RK73EB2E682J	MG RESISTOR	6.8kΩ 1/4W J	1	

MODEL	MARK	MODEL	MARK
DPX792BH	K0	DPX702BH	K1

Safe	Symbol No.	Parts No.	Parts Name	Description	QTY	Local
	R981	RK73EB2E682J	MG RESISTOR	6.8kΩ 1/4W J	1	
	R982	RK73EB2E473J	MG RESISTOR	47kΩ 1/4W J	1	
	R984	RK73EB2E473J	MG RESISTOR	47kΩ 1/4W J	1	
	R1001	RK73GB2A000J	MG RESISTOR	0Ω 1/10W J	1	
	R1003	RK73GB2A000J	MG RESISTOR	0Ω 1/10W J	1	
	R1034	RK73GB2A102J	MG RESISTOR	1kΩ 1/10W J	1	
	R1070	RK73GB2A103J	MG RESISTOR	10kΩ 1/10W J	1	
	R1086	RK73GB2A102J	MG RESISTOR	1kΩ 1/10W J	1	
	R1087	RK73GB2A102J	MG RESISTOR	1kΩ 1/10W J	1	
	R1300	RK73GB2A562J	MG RESISTOR	5.6kΩ 1/10W J	1	
	R1739	RK73HB1J101J	MG RESISTOR	100Ω 1/16W J	1	
	R2003	RK73HB1J220J	MG RESISTOR	22Ω 1/16W J	1	
	R2004	RK73HB1J220J	MG RESISTOR	22Ω 1/16W J	1	
	R2005	RK73EB2E2R2J	MG RESISTOR	2.2Ω 1/4W J	1	
	R2006	RK73GB2A000J	MG RESISTOR	0Ω 1/10W J	1	
	R2007	RK73HB1J222J	MG RESISTOR	2.2kΩ 1/16W J	1	
	R2008	RK73HB1J101J	MG RESISTOR	100Ω 1/16W J	1	
	R2009	RK73HB1J101J	MG RESISTOR	100Ω 1/16W J	1	
	R2014	RK73HB1J103J	MG RESISTOR	10kΩ 1/16W J	1	
	R2016	RK73HB1J220J	MG RESISTOR	22Ω 1/16W J	1	
	R2017	RK73HB1J220J	MG RESISTOR	22Ω 1/16W J	1	
	R2028	RK73GB2A000J	MG RESISTOR	0Ω 1/10W J	1	
	R2029	RK73GB2A332J	MG RESISTOR	3.3kΩ 1/10W J	1	
	R2030	RK73GB2A000J	MG RESISTOR	0Ω 1/10W J	1	
	R2031	RK73GB2A000J	MG RESISTOR	0Ω 1/10W J	1	
	R2032	RK73GB2A000J	MG RESISTOR	0Ω 1/10W J	1	
	R2033	RK73HB1J103J	MG RESISTOR	10kΩ 1/16W J	1	
	R2034	RK73HB1J222J	MG RESISTOR	2.2kΩ 1/16W J	1	
	R2038	RK73EB2E000J	MG RESISTOR	0Ω 1/4W J	1	
	R2039	RK73GB2A000J	MG RESISTOR	0Ω 1/10W J	1	
	R2040	CC73GCH1H050C	C CAPACITOR	5pF 50V C	1	
	R2041	RK73HB1J103J	MG RESISTOR	10kΩ 1/16W J	1	
	R2042	RK73HB1J303J	MG RESISTOR	30kΩ 1/16W J	1	
	R2043	RK73HB1J432J	MG RESISTOR	4.3kΩ 1/16W J	1	
	R2044	RK73HB1J432J	MG RESISTOR	4.3kΩ 1/16W J	1	
	R2045	RK73HB1J103J	MG RESISTOR	10kΩ 1/16W J	1	
	R2046	RK73HB1J103J	MG RESISTOR	10kΩ 1/16W J	1	
	R2047	RK73HB1J432J	MG RESISTOR	4.3kΩ 1/16W J	1	
	R2052	RK73GB2A000J	MG RESISTOR	0Ω 1/10W J	1	
	R2053	RK73GB2A000J	MG RESISTOR	0Ω 1/10W J	1	
	R2054	RK73GB2A000J	MG RESISTOR	0Ω 1/10W J	1	
	R2055	RK73GB2A000J	MG RESISTOR	0Ω 1/10W J	1	
	R2057	RK73HB1J432J	MG RESISTOR	4.3kΩ 1/16W J	1	
	R2058	RK73HB1J103J	MG RESISTOR	10kΩ 1/16W J	1	
	R2059	RK73HB1J103J	MG RESISTOR	10kΩ 1/16W J	1	
	R2060	RK73HB1J432J	MG RESISTOR	4.3kΩ 1/16W J	1	
	R2061	RK73GH2A100D	MG RESISTOR	10Ω 1/10W D	1	
	R2062	RK73HB1J432J	MG RESISTOR	4.3kΩ 1/16W J	1	
	R2063	RK73HB1J103J	MG RESISTOR	10kΩ 1/16W J	1	
	R2065	RK73GB2A000J	MG RESISTOR	0Ω 1/10W J	1	
	R2066	RK73GB2A000J	MG RESISTOR	0Ω 1/10W J	1	
	R2067	RK73GB2A000J	MG RESISTOR	0Ω 1/10W J	1	
	R2068	RK73GB2A000J	MG RESISTOR	0Ω 1/10W J	1	
	R2069	RK73GB2A000J	MG RESISTOR	0Ω 1/10W J	1	
	R2070	RK73GB2A000J	MG RESISTOR	0Ω 1/10W J	1	
	R2072	RK73HB1J000J	MG RESISTOR	0Ω 1/16W J	1	
	R2074	RK73HB1J000J	MG RESISTOR	0Ω 1/16W J	1	
	R2075	RK73HB1J472J	MG RESISTOR	4.7kΩ 1/16W J	1	
	R2076	RK73HB1J472J	MG RESISTOR	4.7kΩ 1/16W J	1	
	R2077	RK73HB1J472J	MG RESISTOR	4.7kΩ 1/16W J	1	
	R2083	RK73GB2A000J	MG RESISTOR	0Ω 1/10W J	1	
	R2085	RK73GB2A000J	MG RESISTOR	0Ω 1/10W J	1	
	R2086	RK73GB2A000J	MG RESISTOR	0Ω 1/10W J	1	
	R2091	RK73GB2A103J	MG RESISTOR	10kΩ 1/10W J	1	
	R2092	RK73HB1J103J	MG RESISTOR	10kΩ 1/16W J	1	
	R2093	RK73HB1J000J	MG RESISTOR	0Ω 1/16W J	1	
	R2267	RK73HB1J103J	MG RESISTOR	10kΩ 1/16W J	1	
	R2269	RK73HB1J471J	MG RESISTOR	470Ω 1/16W J	1	
	L140	L7K-0030-00	FILTER		1	
	L411	LR73Z0AD4R7M	CHIP INDUCTOR	4.7uH	1	
	L608	LB73G0BA-005	CHIP FERRITE		1	
	L609	LB73G0AM-004	CHIP FERRITE		1	
	L610	LR73Z0AD4R7M	CHIP INDUCTOR	4.7uH	1	
	L701	LR73Z0AD4R7M	CHIP INDUCTOR	4.7uH	1	
	L702	NQR0713-001X	FERRITE BEADS		1	
	L703	LB73H0AY-004	CHIP FERRITE		1	
	L704	NQR0713-001X	FERRITE BEADS		1	
	L705	NQR0713-001X	FERRITE BEADS		1	
	L706	LB73H0CT-002	CHIP FERRITE		1	
	L707	LB73H0CT-002	CHIP FERRITE		1	
	L811	LB73H0AY-004	CHIP FERRITE		1	
	L821	LB73G0BK-006	CHIP FERRITE		1	
	L822	LB73H0CT-002	CHIP FERRITE		1	
	L824	LB73H0CT-002	CHIP FERRITE		1	
	L825	LB73H0CT-002	CHIP FERRITE		1	
	L826	LB73H0CT-002	CHIP FERRITE		1	
	L827	LB73H0CT-002	CHIP FERRITE		1	
	L828	LB73H0CT-002	CHIP FERRITE		1	
	L829	LB73H0CT-002	CHIP FERRITE		1	
	L830	LB73G0BK-006	CHIP FERRITE		1	
	L831	NQR0713-001X	FERRITE BEADS		1	
	L863	NQLL6EM-100X	INDUCTOR	10uH M	1	
	L864	NQLH65M-4R7X	INDUCTOR	4.7uH M	1	

MODEL	MARK	MODEL	MARK
DPX792BH	K0	DPX702BH	K1

Safe	Symbol No.	Parts No.	Parts Name	Description	QTY	Local
	L865	NQLL6EM-100X	INDUCTOR	10uH M	1	
	L866	NQLH65M-4R7X	INDUCTOR	4.7uH M	1	
	L960	LR73Z0AD4R7M	CHIP INDUCTOR	4.7uH	1	
	L961	LR73Z0AD4R7M	CHIP INDUCTOR	4.7uH	1	
	L990	QQR1927-001	CHOKO COIL		1	
	L1005	NQR0713-001X	FERRITE BEADS		1	
	L1006	NQR0713-001X	FERRITE BEADS		1	
	L1007	NQR0713-001X	FERRITE BEADS		1	
	L2000	LB73H0CT-002	CHIP FERRITE		1	
	L2001	LB73H0CT-002	CHIP FERRITE		1	
	L2002	NQR0593-001X	FERRITE BEADS		1	
	L2005	LR73Z0AD100M	CHIP INDUCTOR	10uH	1	
	L2007	NQR0713-001X	FERRITE BEADS		1	
	L2008	NQR0713-001X	FERRITE BEADS		1	
	L2009	NQR0713-001X	FERRITE BEADS		1	
	L2010	NQR0713-001X	FERRITE BEADS		1	
	CN141	QGA2001C1-05	W TO B CONNE	W-B (1-5)	1	
	CN220	QGA2001F1-02	W TO B CONNE	W-B (1-2)	1	
	CN502	QGF1040C1-26	FFC/FPC CONNE	FFC/FPC (1-26)	1	
	CN702	QGB1004K2-20W	B TO B CONNE	B-B (1-20)	1	
	CN990	QNZ0607-001	CAR CONNECTOR		1	
	E2	QZW0010-001	STYLE PIN		1	
△	F3	FZA10BH-2R5	FUSE (CC)		1	
	J321	QNN0866-001	PIN JACK		1	
	J470	QNZ0907-001	CIR CONNECTOR		1	
	J601	QNB0356-001	ANT TERMINAL		1	
	VA601	F0K-0010-00	SURGE ABSORBER		1	
	VA602	F0K-0010-00	SURGE ABSORBER		1	
	X701	L7J-0092-00	QUARTZ CRYSTAL		1	
	X702	NAX1256-001X	CRYSTAL		1	
△	F1	F53-0513-08	PATTERN FUSE	4A	1	
△	F1000	F53-0513-08	PATTERN FUSE	4A	1	
SWITCH PWB ASSY (XJ6-077K-00) <XJ6>						
	IC1	BU97550KV-M	MOS IC		1	
	IC3	NJM431SF	ANALOG IC		1	
	IC90	SIR8630B6T	IR DETECT UNIT		1	
	Q50	LSCR523EBFS8	TRANSISTOR		1	
	Q51	LSCR523EBFS8	TRANSISTOR		1	
	Q52	LSCR523EBFS8	TRANSISTOR		1	
	Q53	LSCR523EBFS8	TRANSISTOR		1	
	Q54	LSCR523EBFS8	TRANSISTOR		1	
	Q55	LSCR523EBFS8	TRANSISTOR		1	
	Q57	LSCR523EBFS8	TRANSISTOR		1	
	Q58	LSCR523EBFS8	TRANSISTOR		1	
	D2	MBRX130	SCHOTTKY DIODE		1	
	D3	MBRX130	SCHOTTKY DIODE		1	
	D12	SML-D12V8WT	LED		1	
	D13	SML-D12V8WT	LED		1	
	D20	SML-D12V8WT	LED		1	
	D21	LRTBGFTG/Z1Z1X	LED		1	
	D22	LRTBGFTG/Z1Z1X	LED		1	
	D23	LRTBGFTG/Z1Z1X	LED		1	
	D24	LRTBGFTG/Z1Z1X	LED		1	
	D31	LRTBGFTG/Z1Z1X	LED		1	
	D32	LRTBGFTG/Z1Z1X	LED		1	
	D48	LRTBGFTG/Z1Z1X	LED		1	
	D49	LRTBGFTG/Z1Z1X	LED		1	
	D80	DZ2J051M	ZENER DIODE		1	
	D81	DZ2J051M	ZENER DIODE		1	
	C1	CK73GXR1C105K	C CAPACITOR	1uF 16V K	1	
	C5	CK73GXR1C105K	C CAPACITOR	1uF 16V K	1	
	C6	CK73EXR1C106K	C CAPACITOR	10uF 16V K	1	
	C60	CK73GBB1H102K	C CAPACITOR	1000pF 50V K	1	
	C61	CK73GBB1H102K	C CAPACITOR	1000pF 50V K	1	
	C80	CC73GCH1H270J	C CAPACITOR	27pF 50V J	1	
	C81	CC73GCH1H270J	C CAPACITOR	27pF 50V J	1	
	C82	CK73EXR1C106K	C CAPACITOR	10uF 16V K	1	
	C83	CK73GBB1H471K	C CAPACITOR	470pF 50V K	1	
	C84	CK73GBB1H472K	C CAPACITOR	470pF 50V K	1	
	C85	CK73GBB1H471K	C CAPACITOR	470pF 50V K	1	
	C86	CK73GBB1H472K	C CAPACITOR	470pF 50V K	1	
	C91	CK73GXR1A105K	C CAPACITOR	1uF 10V K	1	
	R1	RK73GH2A103D	MG RESISTOR	10kΩ 1/10W D	1	
	R2	RK73GH2A752D	MG RESISTOR	7.5kΩ 1/10W D	1	
	R3	RK73EB2E471J	MG RESISTOR	470Ω 1/4W J	1	
	R4	RK73GB2A101J	MG RESISTOR	100Ω 1/10W J	1	
	R6	RK73EB2E101J	MG RESISTOR	100Ω 1/4W J	1	
	R7	RK73EB2E000J	MG RESISTOR	0Ω 1/4W J	1	
	R10	RK73FB2B132J	MG RESISTOR	1.3kΩ 1/8W J	1	
	R12	RK73GB2A132J	MG RESISTOR	1.3kΩ 1/10W J	1	
	R13	RK73GB2A132J	MG RESISTOR	1.3kΩ 1/10W J	1	
	R14	RK73GB2A184J	MG RESISTOR	180kΩ 1/10W J	1	
	R18	RK73GB2A101J	MG RESISTOR	100Ω 1/10W J	1	
	R20	RK73FB2B911J	MG RESISTOR	910Ω 1/8W J	1	
	R21	RK73FB2B162J	MG RESISTOR	1.6kΩ 1/8W J	1	
	R22	RK73FB2B241J	MG RESISTOR	240Ω 1/8W J	1	
	R23	RK73FB2B331J	MG RESISTOR	330Ω 1/8W J	1	
	R24	RK73FB2B911J	MG RESISTOR	910Ω 1/8W J	1	
	R25	RK73FB2B162J	MG RESISTOR	1.6kΩ 1/8W J	1	
	R26	RK73FB2B241J	MG RESISTOR	240Ω 1/8W J	1	
	R27	RK73FB2B331J	MG RESISTOR	330Ω 1/8W J	1	
	R36	RK73FB2B911J	MG RESISTOR	910Ω 1/8W J	1	

MODEL	MARK	MODEL	MARK
DPX792BH	K0	DPX702BH	K1

Safe	Symbol No.	Parts No.	Parts Name	Description	QTY	Local
	R37	RK73FB2B162J	MG RESISTOR	1.6kΩ 1/8W J	1	
	R38	RK73FB2B241J	MG RESISTOR	240Ω 1/8W J	1	
	R39	RK73FB2B331J	MG RESISTOR	330Ω 1/8W J	1	
	R41	RK73FB2B431J	MG RESISTOR	430Ω 1/8W J	1	
	R42	RK73FB2B181J	MG RESISTOR	180Ω 1/8W J	1	
	R43	RK73FB2B301J	MG RESISTOR	300Ω 1/8W J	1	
	R57	RK73GB2A682J	MG RESISTOR	6.8kΩ 1/10W J	1	
	R60	RK73EB2E101J	MG RESISTOR	100Ω 1/4W J	1	
	R61	RK73EB2E101J	MG RESISTOR	100Ω 1/4W J	1	
	R62	RK73EB2E4R7J	MG RESISTOR	4.7Ω 1/4W J	1	
	R80	RK73EB2E221J	MG RESISTOR	220Ω 1/4W J	1	
	R1006	RK73GB2A000J	MG RESISTOR	0Ω 1/10W J	1	
	RA1	RK74GB1J101J	NET RESISTOR	100Ω 1/16W J	1	
	RA2	RK74GB1J101J	NET RESISTOR	100Ω 1/16W J	1	
	RA3	RK74GB1J101J	NET RESISTOR	100Ω 1/16W J	1	
	RA50	RK74GB1J682J	NET RESISTOR	6.8kΩ 1/16W J	1	
	RA53	RK74GB1J682J	NET RESISTOR	6.8kΩ 1/16W J	1	
	L2	LR7320AD4R7M	CHIP INDUCTOR	4.7uH	1	
	CN1	EB760AW-1020A	B TO B CONNE		1	
	FL80	L7K-0030-00	FILTER		1	
	J60	QNS0320-001	3.5 JACK		1	
	J80	E5J-0069-00	USB TERMINAL		1	
	S1	NSW0246-001X	TACT SWITCH		1	
	S2	NSW0246-001X	TACT SWITCH		1	
	S3	NSW0246-001X	TACT SWITCH		1	
	S4	NSW0246-001X	TACT SWITCH		1	
	S5	NSW0246-001X	TACT SWITCH		1	
	S6	NSW0246-001X	TACT SWITCH		1	
	S7	NSW0246-001X	TACT SWITCH		1	
	S8	NSW0246-001X	TACT SWITCH		1	
	S9	NSW0246-001X	TACT SWITCH		1	
	S10	NSW0246-001X	TACT SWITCH		1	
	S11	NSW0246-001X	TACT SWITCH		1	
	S12	NSW0246-001X	TACT SWITCH		1	
	S13	NSW0246-001X	TACT SWITCH		1	
	S14	NSW0246-001X	TACT SWITCH		1	
	S15	NSW0246-001X	TACT SWITCH		1	
	S16	NSW0246-001X	TACT SWITCH		1	
	S18	NSW0246-001X	TACT SWITCH		1	
	S20	T9K-0007-00	ROTARY ENCODER		1	
	HD TUNER PWB ASSY (XJM-0120-11) <XJM>					
	IC1	SI4763-A42-GM	MOS IC		1	
	IC2	SI4613-A10-GM	MOS IC		1	
	IC3	W25Q16DVSSIG	ROM IC		1	
	IC4	XC6213B182N-G	MOS IC		1	
	C2	CC73HCH1H101J	C CAPACITOR	100pF 50V J	1	
	C3	CK73HBB1H222K	C CAPACITOR	2200pF 50V K	1	
	C4	CK73HBB1H222K	C CAPACITOR	2200pF 50V K	1	
	C5	CK73HBB1H222K	C CAPACITOR	2200pF 50V K	1	
	C6	CK73FXR1C106K	C CAPACITOR	10uF 16V K	1	
	C7	CK73GBB1H222K	C CAPACITOR	2200pF 50V K	1	
	C8	CK73GBB1H102K	C CAPACITOR	1000pF 50V K	1	
	C9	CC73GCH1H390J	C CAPACITOR	39pF 50V J	1	
	C10	CC73GCH1H270J	C CAPACITOR	27pF 50V J	1	
△	C15	CC73GCH1H010C	C CAPACITOR	1pF 50V C	1	
	C16	CC73GCH1H050C	C CAPACITOR	5pF 50V C	1	
	C18	CK73GBB1C104K	C CAPACITOR	0.1uF 16V K	1	
	C19	CK73GBB1H103K	C CAPACITOR	0.01uF 50V K	1	
	C20	CK73FXR1C106K	C CAPACITOR	10uF 16V K	1	
	C21	CK73GBB1C104K	C CAPACITOR	0.1uF 16V K	1	
	C22	CK73GBB1H102K	C CAPACITOR	1000pF 50V K	1	
	C25	CK73GBB1H682K	C CAPACITOR	6800pF 50V K	1	
	C26	CK73GBB1H682K	C CAPACITOR	6800pF 50V K	1	
	C27	CK73GXR1C105K	C CAPACITOR	1uF 16V K	1	
	C28	CK73GXR1C105K	C CAPACITOR	1uF 16V K	1	
	C29	CC73HCH1H060D	C CAPACITOR	6pF 50V D	1	
	C30	CC73HCH1H060D	C CAPACITOR	6pF 50V D	1	
	C32	CK73GXR1C105K	C CAPACITOR	1uF 16V K	1	
	C33	CK73GXR1C105K	C CAPACITOR	1uF 16V K	1	
	C40	CC73GCH1H020C	C CAPACITOR	2pF 50V C	1	
	C101	CC73GCH1H220J	C CAPACITOR	22pF 50V J	1	
	C102	CC73GCH1H220J	C CAPACITOR	22pF 50V J	1	
	C103	CC73GCH1H220J	C CAPACITOR	22pF 50V J	1	
	C120	CC73GCH1H020C	C CAPACITOR	2pF 50V C	1	
	C121	CK73HBB1C104K	C CAPACITOR	0.1uF 16V K	1	
	C122	CK73GBB1H102K	C CAPACITOR	1000pF 50V K	1	
	C123	CC73HCH1H180J	C CAPACITOR	18pF 50V J	1	
	C124	CC73HCH1H180J	C CAPACITOR	18pF 50V J	1	
	C125	CC73HCH1H180J	C CAPACITOR	18pF 50V J	1	
	C127	CK73GBB1C104K	C CAPACITOR	0.1uF 16V K	1	
	C128	CC73GCH1H020C	C CAPACITOR	2pF 50V C	1	
	C129	CK73HBB1H222K	C CAPACITOR	2200pF 50V K	1	
	C131	CC73HCH1H180J	C CAPACITOR	18pF 50V J	1	
	C143	CK73HBB1H222K	C CAPACITOR	2200pF 50V K	1	
	C144	CK73HBB1H222K	C CAPACITOR	2200pF 50V K	1	
	C146	CK73HBB1H222K	C CAPACITOR	2200pF 50V K	1	
	R1	RK73GB2A000J	MG RESISTOR	0Ω 1/10W J	1	
	R3	RK73GB2A240J	MG RESISTOR	24Ω 1/10W J	1	
	R4	RK73GB2A474J	MG RESISTOR	470kΩ 1/10W J	1	
	R5	RK73GB2A474J	MG RESISTOR	470kΩ 1/10W J	1	
	R10	RK73HB1J222J	MG RESISTOR	2.2kΩ 1/16W J	1	
	R11	RK73HB1J222J	MG RESISTOR	2.2kΩ 1/16W J	1	

MODEL	MARK	MODEL	MARK
DPX792BH	K0	DPX702BH	K1

Safe	Symbol No.	Parts No.	Parts Name	Description	QTY	Local
R12		RK73HB1J103J	MG RESISTOR	10kΩ 1/16W J	1	
R14		RK73GB2A471J	MG RESISTOR	470Ω 1/10W J	1	
R16		RK73HB1J470J	MG RESISTOR	47Ω 1/16W J	1	
R17		RK73HB1J470J	MG RESISTOR	47Ω 1/16W J	1	
R18		RK73HB1J470J	MG RESISTOR	47Ω 1/16W J	1	
R20		RK73GB2A000J	MG RESISTOR	0Ω 1/10W J	1	
R26		RK73HB1J000J	MG RESISTOR	0Ω 1/16W J	1	
R29		RK73GB2A000J	MG RESISTOR	0Ω 1/10W J	1	
R30		RK73GB2A000J	MG RESISTOR	0Ω 1/10W J	1	
R31		RK73GB2A000J	MG RESISTOR	0Ω 1/10W J	1	
R39		RK73GB2A102J	MG RESISTOR	1kΩ 1/10W J	1	
R40		RK73GB2A000J	MG RESISTOR	0Ω 1/10W J	1	
R41		RK73GB2A000J	MG RESISTOR	0Ω 1/10W J	1	
R42		RK73GB2A000J	MG RESISTOR	0Ω 1/10W J	1	
R43		RK73GB2A000J	MG RESISTOR	0Ω 1/10W J	1	
R44		RK73GB2A000J	MG RESISTOR	0Ω 1/10W J	1	
R51		RK73HB1J000J	MG RESISTOR	0Ω 1/16W J	1	
R52		RK73HB1J000J	MG RESISTOR	0Ω 1/16W J	1	
R53		RK73HB1J000J	MG RESISTOR	0Ω 1/16W J	1	
R54		RK73HB1J000J	MG RESISTOR	0Ω 1/16W J	1	
R103		RK73GB2A000J	MG RESISTOR	0Ω 1/10W J	1	
R104		RK73GB2A000J	MG RESISTOR	0Ω 1/10W J	1	
R105		RK73GB2A000J	MG RESISTOR	0Ω 1/10W J	1	
R107		RK73HB1J000J	MG RESISTOR	0Ω 1/16W J	1	
R108		RK73HB1J000J	MG RESISTOR	0Ω 1/16W J	1	
R109		RK73GB2A000J	MG RESISTOR	0Ω 1/10W J	1	
R110		RK73GB2A000J	MG RESISTOR	0Ω 1/10W J	1	
R111		RK73GB2A000J	MG RESISTOR	0Ω 1/10W J	1	
R112		RK73GB2A000J	MG RESISTOR	0Ω 1/10W J	1	
R114		RK73HB1J470J	MG RESISTOR	47Ω 1/16W J	1	
R115		RK73GB2A223J	MG RESISTOR	22kΩ 1/10W J	1	
R116		RK73GB2A223J	MG RESISTOR	22kΩ 1/10W J	1	
R121		RK73GB2A470J	MG RESISTOR	47Ω 1/10W J	1	
R122		RK73GB2A470J	MG RESISTOR	47Ω 1/10W J	1	
R123		RK73GB2A470J	MG RESISTOR	47Ω 1/10W J	1	
R124		RK73GB2A470J	MG RESISTOR	47Ω 1/10W J	1	
R127		RK73GB2A470J	MG RESISTOR	47Ω 1/10W J	1	
R129		RK73HB1J470J	MG RESISTOR	47Ω 1/16W J	1	
R140		RK73GB2A000J	MG RESISTOR	0Ω 1/10W J	1	
R141		RK73HB1J103J	MG RESISTOR	10kΩ 1/16W J	1	
R142		RK73HB1J103J	MG RESISTOR	10kΩ 1/16W J	1	
R143		RK73HB1J103J	MG RESISTOR	10kΩ 1/16W J	1	
R144		RK73HB1J103J	MG RESISTOR	10kΩ 1/16W J	1	
R145		RK73GB2A102J	MG RESISTOR	1kΩ 1/10W J	1	
R155		RK73GB2A470J	MG RESISTOR	47Ω 1/10W J	1	
R166		RK73GB2A470J	MG RESISTOR	47Ω 1/10W J	1	
L1		LK73G0BER15K	M.CHIP INDUCTOR		1	
L2		LK73G0BE82NK	M.CHIP INDUCTOR		1	
L3		LK73G0BER12K	M.CHIP INDUCTOR		1	
L4		LK73G0BER82K	M.CHIP INDUCTOR		1	
L5		LK73G0BE1R8K	M.CHIP INDUCTOR		1	
L8		LK73G0BER39K	M.CHIP INDUCTOR		1	
L10		L1K-0001-00	BALUN TRANS		1	
L14		LK73G0BE100K	M.CHIP INDUCTOR		1	
L21		NQR0592-004X	FERRITE BEADS		1	
L22		NQR0592-004X	FERRITE BEADS		1	
L101		NQR0713-001X	FERRITE BEADS		1	
CN1		EA110AD-2017B	W TO B CONNE		1	
CN2		EA110AD-2003B	W TO B CONNE		1	
X1		L7J-0021-00	QUARTZ CRYSTAL		1	
CD MECHA PWB ASSY (XJD-0030-00) <XJD>						
IC1		MN6627553APA	IC		1	
IC2		BD8266EFV-M-X	IC		1	
Q1		2SA2188/E-X	TRANSISTOR		1	
C1		CK73HBB1A104K	C CAPACITOR	0.1uF 10V K	1	
C3		CK73HBB1A104K	C CAPACITOR	0.1uF 10V K	1	
C4		CK73HBB1A104K	C CAPACITOR	0.1uF 10V K	1	
C7		CK73GBB1C334K	C CAPACITOR	0.33uF 16V K	1	
C8		CK73HBB1H102K	C CAPACITOR	1000pF 50V K	1	
C9		CK73HBB1C823K	C CAPACITOR	0.082uF 16V K	1	
C10		CK73HBB1H102K	C CAPACITOR	1000pF 50V K	1	
C11		CK73HBB1A104K	C CAPACITOR	0.1uF 10V K	1	
C12		CK73HBB1E153K	C CAPACITOR	0.015uF 25V K	1	
C13		CC73HCH1H681J	C CAPACITOR	680pF 50V J	1	
C14		CK73HBB1A104K	C CAPACITOR	0.1uF 10V K	1	
C15		CK73GXR0J475K	C CAPACITOR	4.7uF 6.3V K	1	
C16		CK730AU0J105K	C CAPACITOR	1uF 6.3V K	1	
C17		CK73GBB1C334K	C CAPACITOR	0.33uF 16V K	1	
C18		CK73HBB1H332K	C CAPACITOR	3300pF 50V K	1	
C19		CK73HBB1E223K	C CAPACITOR	0.022uF 25V K	1	
C20		NCB20JK-106X	C CAPACITOR	10uF 6.3V K	1	
C21		CK73GBB1C334K	C CAPACITOR	0.33uF 16V K	1	
C26		CK73FXR1C106K	C CAPACITOR	10uF 16V K	1	
C27		CK73HBB1A104K	C CAPACITOR	0.1uF 10V K	1	
C28		CK73HBB1A104K	C CAPACITOR	0.1uF 10V K	1	
C50		CK73HBB1H682K	C CAPACITOR	6800pF 50V K	1	
C51		CK73HBB1H682K	C CAPACITOR	6800pF 50V K	1	
C52		CK73HBB1H103K	C CAPACITOR	0.01uF 50V K	1	
C53		CK73HBB1H103K	C CAPACITOR	0.01uF 50V K	1	
C55		CK73HBB1A104K	C CAPACITOR	0.1uF 10V K	1	
C60		CC73HCH1H821J	C CAPACITOR	820pF 50V J	1	
C61		CC73HCH1H821J	C CAPACITOR	820pF 50V J	1	

MODEL	MARK	MODEL	MARK
DPX792BH	K0	DPX702BH	K1

Safe	Symbol No.	Parts No.	Parts Name	Description	QTY	Local
	C62	CK73GXR0J106M	C CAPACITOR	10uF 6.3V M	1	
	C82	CC73HCH1H471J	C CAPACITOR	470pF 50V J	1	
	C83	CC73HCH1H120J	C CAPACITOR	12pF 50V J	1	
	C84	CC73HCH1H120J	C CAPACITOR	12pF 50V J	1	
	C85	CK73HBB1A104K	C CAPACITOR	0.1uF 10V K	1	
	C244	CK73GBB1C154K	C CAPACITOR	0.15uF 16V K	1	
	R3	RK73HB1J102J	MG RESISTOR	1kΩ 1/16W J	1	
	R4	RK73HB1J105J	MG RESISTOR	1MΩ 1/16W J	1	
	R7	RK73HB1J272J	MG RESISTOR	2.7kΩ 1/16W J	1	
	R8	RK73HB1J821J	MG RESISTOR	820Ω 1/16W J	1	
	R9	RK73HB1J823J	MG RESISTOR	82kΩ 1/16W J	1	
	R10	RK73FB2B4R7J	MG RESISTOR	4.7Ω 1/8W J	1	
	R11	RK73HB1J472J	MG RESISTOR	4.7kΩ 1/16W J	1	
	R12	RK73HB1J225J	MG RESISTOR	2.2MΩ 1/16W J	1	
	R17	RK73HB1J123J	MG RESISTOR	12kΩ 1/16W J	1	
	R18	RK73HB1J822J	MG RESISTOR	8.2kΩ 1/16W J	1	
	R20	RK73HB1J103J	MG RESISTOR	10kΩ 1/16W J	1	
	R21	RK73HB1J822J	MG RESISTOR	8.2kΩ 1/16W J	1	
	R23	RK73HB1J183J	MG RESISTOR	18kΩ 1/16W J	1	
	R24	RK73HB1J272J	MG RESISTOR	2.7kΩ 1/16W J	1	
	R26	RK73HB1J223J	MG RESISTOR	22kΩ 1/16W J	1	
	R28	RK73HB1J114J	MG RESISTOR	110kΩ 1/16W J	1	
	R31	RK73HB1J821J	MG RESISTOR	820Ω 1/16W J	1	
	R32	RK73HB1J821J	MG RESISTOR	820Ω 1/16W J	1	
	R33	RK73HB1J131J	MG RESISTOR	130Ω 1/16W J	1	
	R37	RK73HB1J103J	MG RESISTOR	10kΩ 1/16W J	1	
	R44	RK73HB1J101J	MG RESISTOR	100Ω 1/16W J	1	
	R47	RK73HB1J101J	MG RESISTOR	100Ω 1/16W J	1	
	R305	RK73HB1J101J	MG RESISTOR	100Ω 1/16W J	1	
	RA1	RK74HB1J562J	NET RESISTOR	5.6kΩ 1/16W J	1	
	RA2	RK74HB1J101J	NET RESISTOR	100Ω 1/16W J	1	
	L1	LB73G0BF-002	CHIP FERRITE		1	
	L2	LB73H0AY-004	CHIP FERRITE		1	
	L3	LB73H0AY-004	CHIP FERRITE		1	
	CN1	QGF1044F2-26X	FFC/FPC CONNE	FFC/FPC (1-26)	1	
	CN2	QGF0522F6-15W	FFC/FPC CONNE	FFC/FPC (1-15)	1	
	S1	NSW0291-001X	DETECT SWITCH		1	
	S2	NSW0291-001X	DETECT SWITCH		1	
	S3	NSW0313-001X	DETECT SWITCH		1	
	X1	NAX1158-001X	CRYSTAL		1	