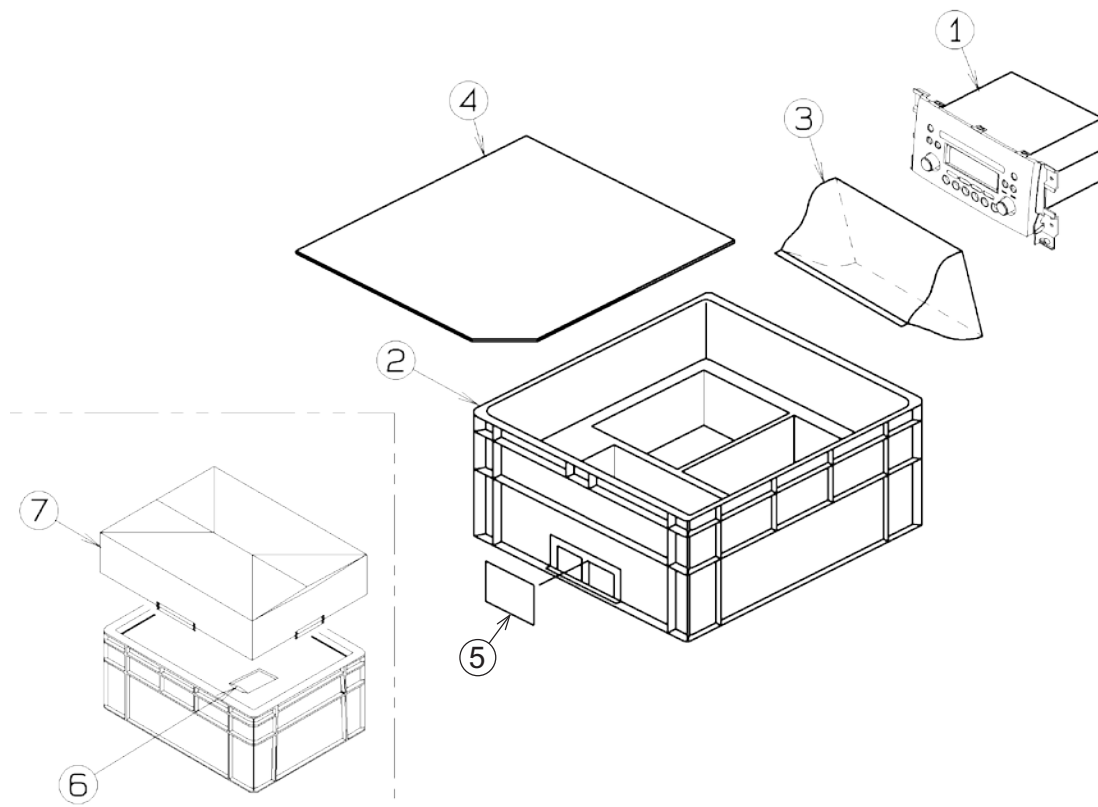


# COMPONENTS

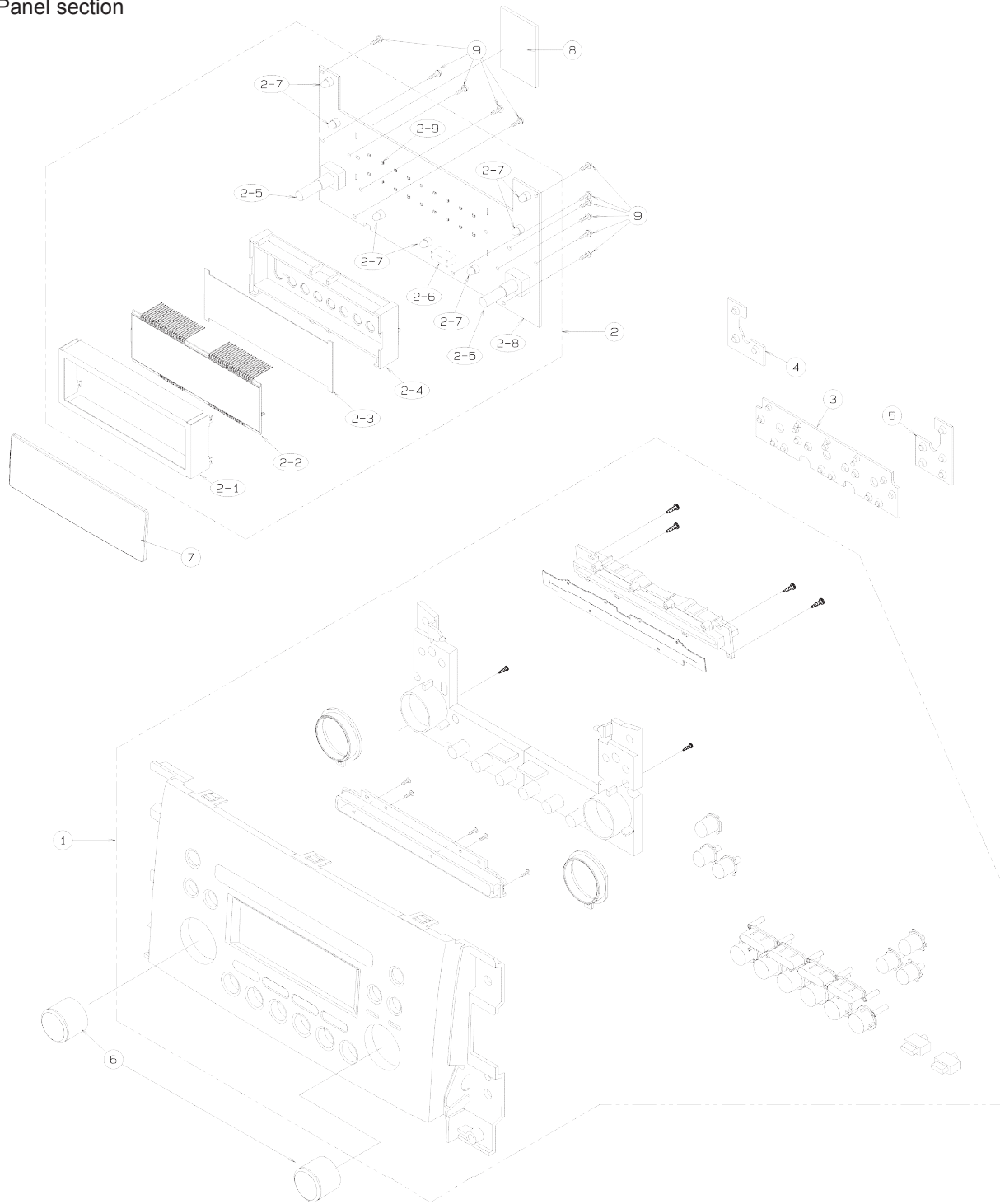
PS-3099D-C / PS-3099D-D

- 1. Main unit
- 2. Container
- 3. Poly bag
- 4. Inner carton
- 5. Label
- 6. Silicagel
- 7. Poly bag



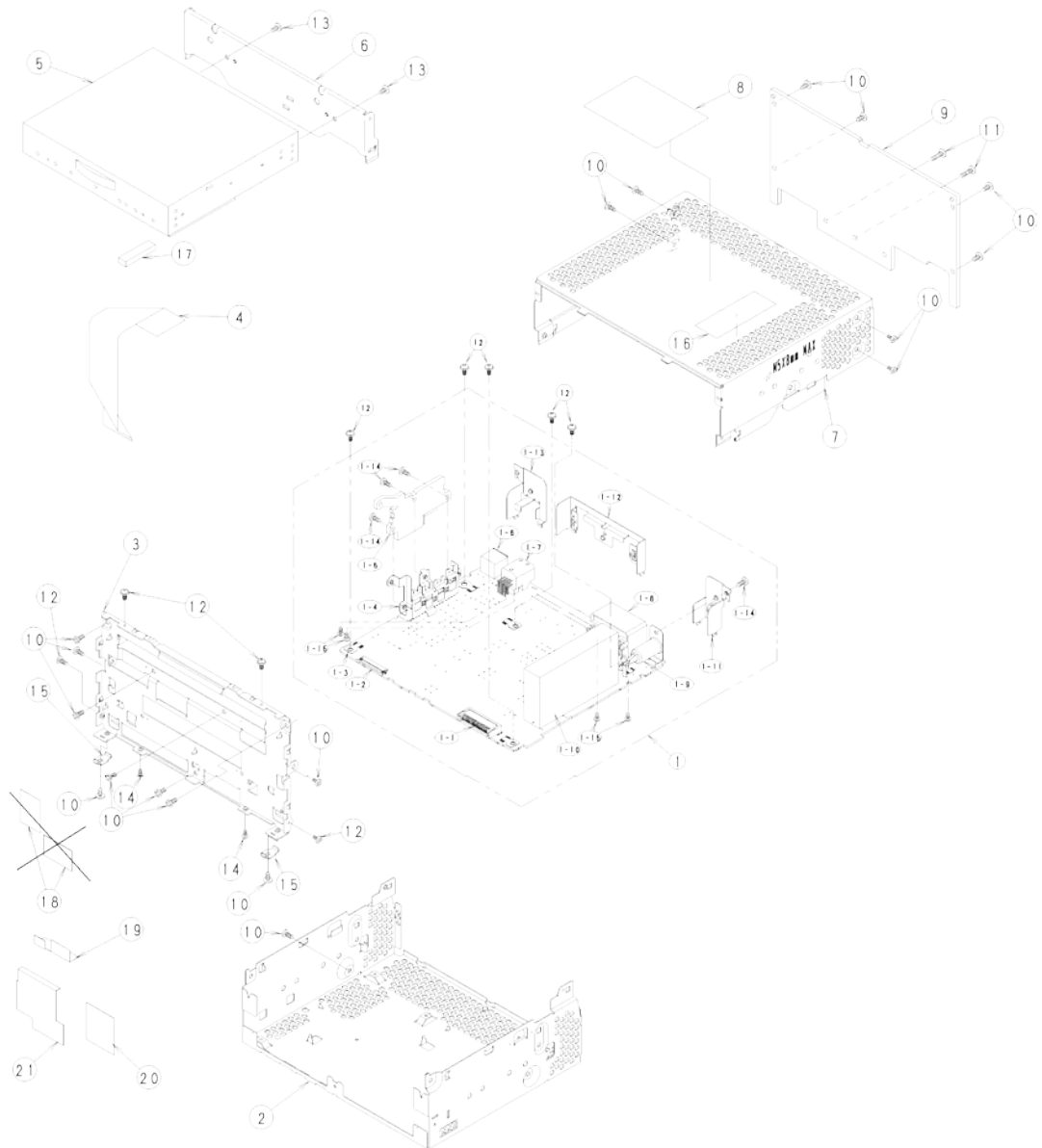
# EXPLODED VIEW / PARTS LIST

Panel section



NO.	PART NO.	DESCRIPTION	Q'TY	NO.	PART NO.	DESCRIPTION	Q'TY
1	940-8229-32 940-8229-34	ES-ASSY(PS3099DC Black) ES-ASSY(PS3099DD Brown)	1	2-8	-----	SW PWB(329200-039)	1
2	-----	SW-PWB-ASSY(3099BH-77)	1	2-9	001-7094-91	DIODE	18
2-1	331-4550-01	LCD CVR	1	3	345-5782-11	RUBBER SW(A)	1
2-2	379-1429-50	INDICATOR	1	4	345-5783-00	RUBBER SW (B)	1
2-3	335-8274-00	COLOR FILTER	1	5	345-6227-00	RUBBER SW(D)	1
2-4	335-8273-00	LCD HOLDER	1	6	380-5610-00	KNOB	2
2-5	016-0018-17	VR W/SHAFT	2	7	373-1175-00	DIAL-CVR	1
2-6	074-3013-74	OUTLET SOCKET	1	8	345-6006-00	PROTECTOR	1
2-7	017-0420-43	PILOTLAMP	7	9	716-0778-51	SPECIAL SCREW	11

Main section



NO.	PART NO.	DESCRIPTION	Q'TY
1	-----	MAIN-PWB-ASSY(3099BH-75)	1
1-1	076-3011-74	PLUG(24P)	1
1-2	074-1189-88	OUTLET SOCKET(GS-1)	1
1-3	073-0762-90	TERMINAL	5
1-4	331-4126-00	TR HOLDER	1
1-5	313-1966-00	SUB HEAT SINK	1
1-6	074-1194-00	OUTLET SOCKET	1
1-7	074-1302-08	OUTLET SOCKET	1
1-8	074-4007-20	OUTLET SOCKET	1
1-9	092-0702-50	ANT-RECEPT	1
1-10	941-0221-70	TUNER PACK	1
1-11	331-4549-00	ANT HOLDER	1
1-12	331-4548-00	IC HOLDER	1
1-13	331-4547-00	SOCKET HOLDER	1
1-14	714-2606-8B	MACHINE SCREW	4
1-15	778-3006-00	TAP-SCREW	4
2	311-1919-70	LOWER CASE	1
3	309-0836-02	ES PLATE	1
4	816-3034-51	FLAT WIRE	1

NO.	PART NO.	DESCRIPTION	Q'TY
5	929-5026-82	CD-MECH-MODULE	1
6	331-4123-00	CD BRKT	1
7	310-1826-50	UPPER CASE	1
8	276-0588-01 276-0588-02	SETPLATE(PS3099DC) SETPLATE(PS3099DD)	1
9	313-1962-00	HEAT SINK	1
10	714-2606-8B	MACHINE SCREW	18
11	714-2610-89	MACHINE SCREW	2
12	716-0878-50	SPECIAL SCREW	9
13	714-2603-8B	MACHINE SCREW	2
14	780-2603-06	SPECIAL-M-SCREW	2
15	331-4193-20	SU-PLATE	2
16	285-1960-00	GUIDE LABEL	1
17	345-5994-00	CUSHION RUBBER	1
18	-	(PROTECTOR)	-
19	347-8737-00	PROTECTOR	1
20	347-8738-00	PROTECTOR	1
21	347-8746-00	PROTECTOR	1

# ELECTRICAL PARTS LIST

## Main PWB(B1) section

REF No.	PART No.	DESCRIPTION	REF No.	PART No.	DESCRIPTION	REF No.	PART No.	DESCRIPTION
ANT101	092-0702-50	ANT-RECEPT	C402	043-0570-90	16V 2.2uF K	IC351	051-3034-90	NJM4558V
BL101	941-0221-70	AM/FM TUNER	C403	168-5632-78	16V 0.056uF	IC391	051-2040-00	TA8276H
C102	168-2232-55	0.022uF K	C404	043-0570-90	16V 2.2uF K	IC401	051-5046-90	CL7639V20
C103	168-2232-55	0.022uF K	C405	188-1063-38	16V 10uF	IC501	052-3220-02	M30624MHP-E63GP
C104	188-1073-28	10V 100uF	C406	188-1073-28	10V 100uF	IC502	051-0869-58	NJM2103M
C105	168-1042-78	16V 0.1uF	C407	168-1042-78	16V 0.1uF	IC503	051-9402-68	BR93L56F-W
C106	168-1042-78	16V 0.1uF	C408	166-3911-50	390pF CH	IC504	051-6600-58	HA12187FP
C107	188-1073-28	10V 100uF	C409	043-0570-90	16V 2.2uF K	IC741	051-3369-00	NJM2388F84
C108	168-1042-78	16V 0.1uF	C410	168-5632-78	16V 0.056uF	J221	074-1189-88	SOCKET
C109	168-2232-55	0.022uF K	C411	043-0570-90	16V 2.2uF K	J701	074-1194-00	13P Ce-NET
C111	168-2232-55	0.022uF K	C412	168-1042-78	16V 0.1uF	J721	074-1302-08	TH8P-SOCKET
C112	168-4745-79	0.47uF Z	C417	178-4742-78	0.47uF	J801	074-4007-20	20P
C113	168-8232-78	0.082uF K	C418	168-4722-55	4700pF K	L101	010-2003-04	30uH
C114	168-8232-78	0.082uF K	C419	178-4742-78	0.47uF	L102	010-6009-76	22uH J
C121	166-1801-50	18pF CH	C420	168-4722-55	4700pF K	L103	010-6009-76	22uH J
C122	188-4763-38	16V 47uF	C421	178-4742-78	0.47uF	L122	010-6009-76	22uH J
C123	168-1022-55	1000pF K	C422	168-4722-55	4700pF K	L501	010-6009-76	22uH J
C124	042-1458-90	50V 1uF LN	C423	178-4742-78	0.47uF	L502	010-6009-76	22uH J
C126	166-1011-50	100pF CH	C424	168-4722-55	4700pF K	L801	010-8026-00	210uH
C127	166-1011-50	100pF CH	C501	168-1042-78	16V 0.1uF	P501	076-3011-74	24P
C128	166-1011-50	100pF CH	C502	188-4763-18	6.3V 47uF	Q121	191-1197-50	2SB1197K Q,R
C129	166-1011-50	100pF CH	C503	168-1032-55	0.01uF K	Q122	191-1197-50	2SB1197K Q,R
C130	168-2232-55	0.022uF K	C504	168-1032-55	0.01uF K	Q123	191-1197-50	2SB1197K Q,R
C131	188-4763-38	16V 47uF	C505	168-1032-55	0.01uF K	Q124	192-4116-51	2SC4116 G,L
C133	168-1042-78	16V 0.1uF	C506	168-1042-78	16V 0.1uF	Q125	192-4116-51	2SC4116 G,L
C160	168-1042-78	16V 0.1uF	C507	188-1053-68	50V 1uF	Q391	125-2027-93	DTC144EUA
C212	188-4763-38	16V 47uF	C509	168-1022-55	1000pF K	Q502	190-2071-00	2SA2071 T100
C222	168-1042-78	16V 0.1uF	C510	168-1022-55	1000pF K	Q503	192-4116-51	2SC4116 G,L
C243	188-4763-38	16V 47uF	C511	168-1042-78	16V 0.1uF	Q504	192-4116-51	2SC4116 G,L
C244	168-1042-78	16V 0.1uF	C512	168-1032-55	0.01uF K	Q505	192-4116-51	2SC4116 G,L
C245	168-1042-78	16V 0.1uF	C513	189-1073-29	10V 100uF	Q506	193-2118-50	2SD2118F5 R,S
C271	188-4763-38	16V 47uF	C514	168-1042-78	16V 0.1uF	Q701	192-4116-51	2SC4116 G,L
C273	043-0328-90	0.1uF	C515	166-1011-50	100pF CH	Q711	190-2071-00	2SA2071 T100
C274	189-2273-29	10V 220uF	C516	188-1063-38	16V 10uF	Q712	192-4116-51	2SC4116 G,L
C276	043-0328-90	0.1uF	C517	042-0559-00	5.5V 0.1F	Q761	192-5810-00	2SC5810 TE12L
C301	178-1052-78	1uF	C722	168-1042-78	16V 0.1uF	Q762	125-0021-91	DTA114EUA
C302	178-1052-78	1uF	C731	172-1041-15	0.1uF	Q763	125-2027-91	DTC114EUA
C305	178-1052-78	1uF	C732	188-1053-68	50V 1uF	Q771	192-5886-00	2SC5886
C306	178-1052-78	1uF	C741	043-0328-90	0.1uF	Q775	192-4116-51	2SC4116 G,L
C309	168-1232-55	0.012uF K	C744	188-1073-28	10V 100uF	Q776	125-0021-91	DTA114EUA
C310	168-1232-55	0.012uF K	C761	188-1063-38	16V 10uF	Q777	125-2027-91	DTC114EUA
C311	188-2253-68	50V 2.2uF	C762	188-1063-38	16V 10uF	Q791	192-4116-51	2SC4116 G,L
C312	188-2253-68	50V 2.2uF	C771	188-1073-28	10V 100uF	Q792	192-4116-51	2SC4116 G,L
C313	188-2253-68	50V 2.2uF	C772	188-1063-38	16V 10uF	Q793	192-4116-51	2SC4116 G,L
C314	188-2253-68	50V 2.2uF	C791	188-4756-58	35V 4.7uF	Q821	190-2071-00	2SA2071 T100
C318	168-1522-55	1500pF K	C792	168-1042-78	16V 0.1uF	Q822	192-4116-51	2SC4116 G,L
C319	168-1522-55	1500pF K	C811	172-1041-15	0.1uF	R101	119-0000-05	1/10W 0 ohm JW
C334	166-4711-50	470pF CH	C821	188-1063-38	16V 10uF	R102	119-0000-05	1/10W 0 ohm JW
C335	166-4711-50	470pF CH	CCT501	050-0140-54	1/32W 1k ohm x4J	R103	119-1041-15	1/10W 100k ohm
C346	188-1073-28	10V 100uF	CCT504	050-0140-54	1/32W 1k ohm x4J	R104	119-2221-15	1/10W 2.2k ohm
C352	168-1042-78	16V 0.1uF	CCT505	050-0140-54	1/32W 1k ohm x4J	R105	119-6811-15	1/10W 680 ohm
C353	042-1562-65	10V 220uF	D391	001-0580-90	1SS352	R106	119-2221-15	1/10W 2.2k ohm
C354	166-2201-50	22pF CH	D505	001-0580-90	1SS352	R107	116-1001-15	1/4W 10 ohm
C355	166-2201-50	22pF CH	D506	001-2403-90	M1F60	R108	119-2231-15	1/10W 22k ohm
C356	166-1007-50	10pF CH	D507	001-4301-25	HZU4.7B1	R109	119-6821-15	1/10W 6.8k ohm
C357	166-1007-50	10pF CH	D508	001-0466-90	S5688B	R111	166-8201-50	82pF CH
C358	188-1063-38	16V 10uF	D509	001-0504-36	HZS7 A1L	R122	119-3321-15	1/10W 3.3k ohm
C359	188-1063-38	16V 10uF	D701	001-0424-31	MA4180	R123	119-4721-15	1/10W 4.7k ohm
C360	188-1063-38	16V 10uF	D702	001-0424-31	MA4180	R124	119-2221-15	1/10W 2.2k ohm
C361	188-1063-38	16V 10uF	D703	001-0424-31	MA4180	R125	119-1021-15	1/10W 1k ohm
C391	168-1042-78	16V 0.1uF	D711	001-0466-90	S5688B	R126	119-0000-05	1/10W 0 ohm JW
C392	168-1042-78	16V 0.1uF	D712	001-0466-90	S5688B	R127	119-5631-15	1/10W 56k ohm
C393	168-1042-78	16V 0.1uF	D731	001-0466-90	S5688B	R128	119-4731-15	1/10W 47k ohm
C394	168-1042-78	16V 0.1uF	D761	001-0504-40	HZS7B3L-TJ	R129	119-4731-15	1/10W 47k ohm
C395	168-1032-55	0.01uF K	D771	001-0347-44	MA4082M	R130	119-2221-15	1/10W 2.2k ohm
C396	163-1053-65	50V 1uF	D801	001-0592-00	RM4Z	R131	119-1031-15	1/10W 10k ohm
C397	042-1624-00	16V 4700uF	D851	001-4301-68	HZU18B1	R132	119-1031-15	1/10W 10k ohm
C398	163-1063-35	16V 10uF	IC121	051-6212-18	LC72191JM-UC	R133	119-2221-15	1/10W 2.2k ohm
C399	163-1053-65	50V 1uF	IC241	051-3395-90	NJU7780U1-15-TES	R134	119-2221-15	1/10W 2.2k ohm
C400	166-2201-50	22pF CH	IC271	051-3333-00	NJM2396F05	R135	119-1031-15	1/10W 10k ohm
C401	166-3911-50	390pF CH	IC272	051-3366-00	NJM2396F08	R221	119-4731-15	1/10W 47k ohm

REF No.	PART No.	DESCRIPTION	REF No.	PART No.	DESCRIPTION	REF No.	PART No.	DESCRIPTION
R271	119-4731-15	1/10W 47k ohm	R512	119-4721-15	1/10W 4.7k ohm	R704	119-2231-15	1/10W 22k ohm
R275	119-0000-05	1/10W 0 ohm JW	R513	119-4721-15	1/10W 4.7k ohm	R711	116-2221-15	1/4W 2.2k ohm
R301	119-1021-15	1/10W 1k ohm	R514	119-1021-15	1/10W 1k ohm	R712	117-1031-15	1/8W 10k ohm
R302	119-1021-15	1/10W 1k ohm	R515	119-1041-15	1/10W 100k ohm	R713	116-2221-15	1/4W 2.2k ohm
R305	119-1021-15	1/10W 1k ohm	R516	119-1041-15	1/10W 100k ohm	R714	119-1031-15	1/10W 10k ohm
R306	119-1021-15	1/10W 1k ohm	R517	116-1001-15	1/4W 10 ohm	R715	119-3321-15	1/10W 3.3k ohm
R309	119-1031-15	1/10W 10k ohm	R520	119-4731-15	1/10W 47k ohm	R726	119-1021-15	1/10W 1k ohm
R310	119-1031-15	1/10W 10k ohm	R522	119-4731-15	1/10W 47k ohm	R731	116-5621-15	1/4W 5.6k ohm
R311	119-5631-15	1/10W 56k ohm	R527	119-4721-15	1/10W 4.7k ohm	R732	116-4721-15	1/4W 4.7k ohm
R312	119-5631-15	1/10W 56k ohm	R528	032-0140-66	1/10W 220 ohm F	R761	032-0092-56	1/8W 22k ohm F
R313	119-5631-15	1/10W 56k ohm	R529	119-1031-15	1/10W 10k ohm	R762	032-0092-31	1/8W 150k ohm F
R314	119-5631-15	1/10W 56k ohm	R530	119-1041-15	1/10W 100k ohm	R763	032-0092-51	1/8W 1k ohm F
R323	119-0000-05	1/10W 0 ohm JW	R531	119-1031-15	1/10W 10k ohm	R764	119-1221-15	1/10W 1.2k ohm
R324	119-0000-05	1/10W 0 ohm JW	R532	119-4721-15	1/10W 4.7k ohm	R773	116-1021-15	1/4W 1k ohm
R325	119-0000-05	1/10W 0 ohm JW	R533	119-4721-15	1/10W 4.7k ohm	R779	116-1821-15	1/4W 1.8k ohm
R326	119-0000-05	1/10W 0 ohm JW	R534	119-1021-15	1/10W 1k ohm	R780	117-1821-15	1/8W 1.8k ohm
R351	119-8211-15	1/10W 820 ohm	R535	119-1031-15	1/10W 10k ohm	R791	119-0000-05	1/10W 0 ohm JW
R352	119-1021-15	1/10W 1k ohm	R536	119-2221-15	1/10W 2.2k ohm	R792	116-4721-15	1/4W 4.7k ohm
R353	032-0140-50	1/10W 10k ohm F	R537	119-1031-15	1/10W 10k ohm	R795	119-4721-15	1/10W 4.7k ohm
R354	032-0140-50	1/10W 10k ohm F	R538	119-1031-15	1/10W 10k ohm	R796	116-5611-15	1/4W 560 ohm
R355	032-0140-50	1/10W 10k ohm F	R539	119-1031-15	1/10W 10k ohm	R797	119-4721-15	1/10W 4.7k ohm
R356	032-0140-50	1/10W 10k ohm F	R540	119-4731-15	1/10W 47k ohm	R798	119-4721-15	1/10W 4.7k ohm
R357	032-0140-50	1/10W 10k ohm F	R541	119-5621-15	1/10W 5.6k ohm	R799	119-1831-15	1/10W 18k ohm
R358	032-0140-50	1/10W 10k ohm F	R542	119-2231-15	1/10W 22k ohm	R801	119-0000-05	1/10W 0 ohm JW
R359	032-0140-50	1/10W 10k ohm F	R544	119-4731-15	1/10W 47k ohm	R802	119-0000-05	1/10W 0 ohm JW
R360	032-0140-50	1/10W 10k ohm F	R545	119-6831-15	1/10W 68k ohm	R821	116-4721-15	1/4W 4.7k ohm
R391	119-5631-15	1/10W 56k ohm	R546	119-1021-15	1/10W 1k ohm	R822	119-3321-15	1/10W 3.3k ohm
R392	119-1221-15	1/10W 1.2k ohm	R547	119-1021-15	1/10W 1k ohm	R823	119-1031-15	1/10W 10k ohm
R393	119-2221-15	1/10W 2.2k ohm	R548	119-1031-15	1/10W 10k ohm	R824	116-2221-15	1/4W 2.2k ohm
R394	119-2221-15	1/10W 2.2k ohm	R549	119-3341-15	1/10W 330k ohm	R825	116-2221-15	1/4W 2.2k ohm
R395	119-2221-15	1/10W 2.2k ohm	R550	032-0140-22	1/10W 68k ohm F	R826	119-8221-15	1/10W 8.2k ohm
R396	119-2221-15	1/10W 2.2k ohm	R551	032-0140-00	1/10W 56k ohm F	R901	119-0000-05	1/10W 0 ohm JW
R397	119-1031-15	1/10W 10k ohm	R552	117-6821-15	1/8W 6.8k ohm	R902	119-0000-05	1/10W 0 ohm JW
R400	119-1031-15	1/10W 10k ohm	R553	119-4731-15	1/10W 47k ohm	R903	119-0000-05	1/10W 0 ohm JW
R401	119-2731-15	1/10W 27k ohm	R554	119-4731-15	1/10W 47k ohm	SUP101	060-0122-20	DSP-141N-S00B
R402	119-2021-15	1/10W 2k ohm	R555	119-5621-15	1/10W 5.6k ohm	TC121	004-1580-10	30PF GRN
R403	119-2731-15	1/10W 27k ohm	R556	119-1021-15	1/10W 1k ohm	TH711	002-0318-21	THERMISTOR
R404	119-2021-15	1/10W 2k ohm	R557	119-4731-15	1/10W 47k ohm	TM101	073-0762-90	TERMINAL
R405	119-0000-05	1/10W 0 ohm JW	R558	119-1031-15	1/10W 10k ohm	TM501	073-0762-90	TERMINAL
R502	119-4721-15	1/10W 4.7k ohm	R567	119-4731-15	1/10W 47k ohm	TM502	073-0762-90	TERMINAL
R504	119-4721-15	1/10W 4.7k ohm	R570	119-4731-15	1/10W 47k ohm	TM801	073-0762-90	TERMINAL
R505	119-1041-15	1/10W 100k ohm	R572	119-4731-15	1/10W 47k ohm	TM802	073-0762-90	TERMINAL
R506	119-1041-15	1/10W 100k ohm	R574	119-4731-15	1/10W 47k ohm	X121	061-1066-00	7.2MHz
R507	119-4731-15	1/10W 47k ohm	R577	119-4731-15	1/10W 47k ohm	X501	060-1533-90	CSTCE10M0G52-RO
R508	119-4731-15	1/10W 47k ohm	R701	116-1211-15	1/4W 120 ohm	PWB	039-3295-00	PWB(WITHOUT COMPONENT)
R510	119-4721-15	1/10W 4.7k ohm	R702	116-6801-15	1/4W 68 ohm			
R511	119-4721-15	1/10W 4.7k ohm	R703	119-2231-15	1/10W 22k ohm			

Switch PWB(B2) section

REF No.	PART No.	DESCRIPTION	REF No.	PART No.	DESCRIPTION	REF No.	PART No.	DESCRIPTION
C901	168-1042-78	16V 0.1uF	D918	001-7094-91	VFR1112H-TR	R915	119-0000-05	1/10W 0 ohm JW
C902	168-1042-78	16V 0.1uF	D919	001-7094-91	VFR1112H-TR	R916	119-0000-05	1/10W 0 ohm JW
C903	168-1042-78	16V 0.1uF	D920	001-7094-91	VFR1112H-TR	R918	119-4341-15	1/10W 430k ohm
C904	168-1042-78	16V 0.1uF	D921	001-7094-91	VFR1112H-TR	R919	119-1021-15	1/10W 1k ohm
C905	168-1042-78	16V 0.1uF	D922	001-7094-91	VFR1112H-TR	R920	119-1021-15	1/10W 1k ohm
C906	178-1052-78	1uF	D923	001-7094-91	VFR1112H-TR	R921	119-1841-15	1/10W 180k ohm
D901	001-0580-90	1SS352	IC901	051-6084-00	NJU6625FG1-03	R922	119-1841-15	1/10W 180k ohm
D902	001-0580-90	1SS352	J901	074-3013-74	24P	R923	119-1841-15	1/10W 180k ohm
D903	001-0580-90	1SS352	L901	010-3406-66	22uH J	R924	119-1841-15	1/10W 180k ohm
D904	001-0580-90	1SS352	LCD901	379-1429-50	INDICATOR	R925	119-2711-15	1/10W 270 ohm
D905	001-7094-91	VFR1112H-TR	PL901	017-0420-43	14V 40mA RED	R926	119-2711-15	1/10W 270 ohm
D906	001-7094-91	VFR1112H-TR	PL902	017-0420-43	14V 40mA RED	R927	119-3011-15	1/10W 300 ohm
D907	001-7094-91	VFR1112H-TR	PL903	017-0420-43	14V 40mA RED	R928	119-2711-15	1/10W 270 ohm
D908	001-7094-91	VFR1112H-TR	PL904	017-0420-43	14V 40mA RED	R929	119-2711-15	1/10W 270 ohm
D909	001-7094-91	VFR1112H-TR	PL905	017-0420-43	14V 40mA RED	R930	119-3011-15	1/10W 300 ohm
D910	001-7094-91	VFR1112H-TR	PL907	017-0420-43	14V 40mA RED	R931	119-2711-15	1/10W 270 ohm
D911	001-7094-91	VFR1112H-TR	PL908	017-0420-43	14V 40mA RED	R932	119-2711-15	1/10W 270 ohm
D912	001-7094-91	VFR1112H-TR	R901	119-0000-05	1/10W 0 ohm JW	R933	119-3011-15	1/10W 300 ohm
D913	001-7094-91	VFR1112H-TR	R902	119-0000-05	1/10W 0 ohm JW	R934	119-2711-15	1/10W 270 ohm
D914	001-0580-90	1SS352	R907	119-0000-05	1/10W 0 ohm JW	R935	119-2711-15	1/10W 270 ohm
D915	001-7094-91	VFR1112H-TR	R908	119-0000-05	1/10W 0 ohm JW	R936	119-3011-15	1/10W 300 ohm
D916	001-7094-91	VFR1112H-TR	R909	119-0000-05	1/10W 0 ohm JW	R937	119-2711-15	1/10W 270 ohm
D917	001-7094-91	VFR1112H-TR	R910	119-0000-05	1/10W 0 ohm JW	R938	119-2711-15	1/10W 270 ohm

REF No.	PART No.	DESCRIPTION	REF No.	PART No.	DESCRIPTION	REF No.	PART No.	DESCRIPTION
R939	119-3011-15	1/10W 300 ohm	TH901	002-0315-00	TN10-3U153JT	PWB	039-3292-00	PWB(WITHOUT COMPONENT)
R941	119-2711-15	1/10W 270 ohm	VR901	016-0018-17	VR W/SHAFT			
R942	119-2711-15	1/10W 270 ohm	VR902	016-0018-17	VR W/SHAFT			
R943	119-3011-15	1/10W 300 ohm	VR903	012-6004-63	470k ohm B VR			