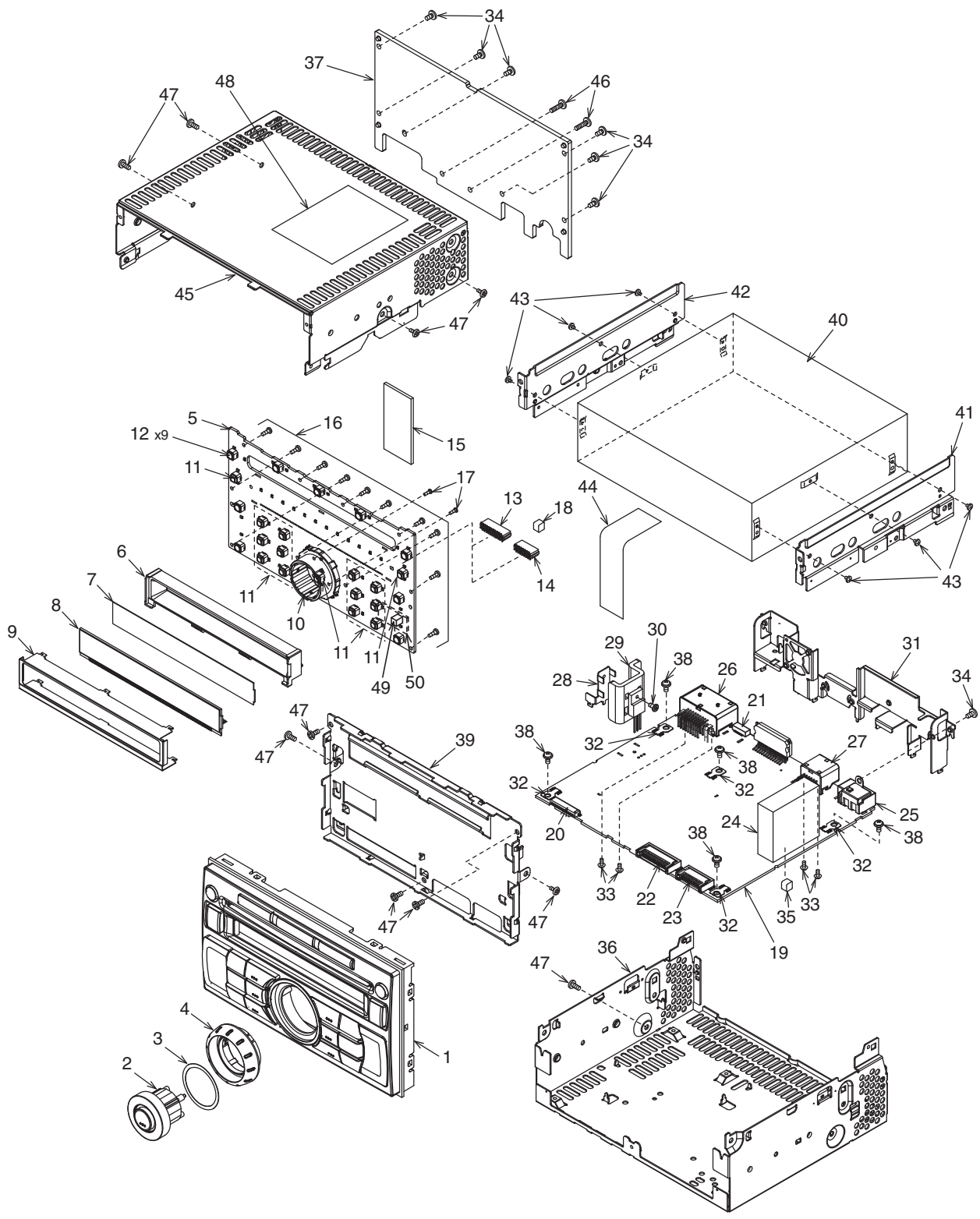


# EXPLODED VIEW/PARTS LIST



Note) Some parts depend on each model. The model name is specified in the description.

NO.	PART NO.	DESCRIPTION	Q'TY	NO.	PART NO.	DESCRIPTION	Q'TY
1	940-8420-29	ES-ASSY	1	27	074-1302-12	OUTLET SOCKET	1
2	947-0591-00	KNOB ASSY	1	28	331-3880-00	TR HOLDER	1
3	347-7959-00	SHADE	1	29	313-1980-00	HEAT SINK	1
4	380-5655-10	KNOB	1	30	716-1646-50	IT SCREW (M2.6 x 8)	1
5	-----	SWITCH PWB	1	31	307-0720-00	REAR PLATE	1
6	335-7693-00	LCD HOLDER	1	32	073-0762-90	TERMINAL	5
7	335-7801-00	LCD LEFLECTOR	1	33	778-3006-00	SCREW (3 x 6)	4
8	379-1392-52	INDICATOR (LCD)	1	34	714-2608-8B	MACHINE SCREW (M2.6 x 6)	7
9	331-4166-00	LCD COVER	1	35	345-5805-01	GASKET	1
10	016-7004-00	ROTARY SWITCH	1	36	311-1914-00	LOWER CASE	1
11	013-6201-52	TACT SWITCH	15	37	313-1967-00	HEAT SINK	1
12	013-6202-52	TACT SWITCH	9	38	716-0878-50	SCREW (M2.6 x 5)	5
13	074-3013-72	OUTLET SOCKET (22P)	1	39	309-0822-00	ES PLATE (6CD)	1
14	074-3013-66	OUTLET SOCKET (16P)	1	40	929-0390-82	CD MECH MODULE	1
15	345-8090-00	CUSHION RUBBER	1	41	331-4092-10	CD MECH BRKT (RH)	1
16	716-0778-52	WAVE SCREW (2 x 6)	10	42	331-4091-10	CD MECH BRKT (LH)	1
17	716-0872-51	PAD SCREW (M1.7 x 5)	2	43	716-3552-00	SCREW (M2.3 x 2.5)	6
18	345-5805-01	GASKET	1	44	816-4024-50	FLAT WIRE	1
19	-----	MAIN PWB	1	45	310-1823-10	UPPER CASE	1
20	074-1237-69	OUTLET SOCKET (19P)	1	46	735-2614-1B	MACHINE SCREW (M2.6 x 14)	2
21	076-0478-59	PLUG (9P)	1	47	714-2606-8B	MACHINE SCREW (M2.6 x 6)	10
22	076-3011-72	PLUG (22P)	1	48	276-0034-75	SET PLATE (PN-3124N-A)	1
23	076-3011-66	PLUG (16P)	1		276-0034-76	SET PLATE (PN-3124N-B)	1
24	880-2091M	TUNER PACK	1	49	060-8062-50	CERAMIC-ANT	1
25	092-2210-01	ANT RECEPT	1	50	060-8079-90	BLUETOOTH MODULE	1
26	074-4009-20	OUTLET SOCKET	1				

# ELECTRICAL PARTS LIST

## Switch PWB(B1) section

REF No.	PART No.	DESCRIPTION	REF No.	PART No.	DESCRIPTION	REF No.	PART No.	DESCRIPTION
ANT902	060-8062-50	CERAMIC-ANT	D835	001-7093-91	RFY1112H-16-TR	R802	119-3331-15	1/10W 33k ohm
C802	168-1042-78	16V 0.1uF			YEL	R803	119-1021-15	1/10W 1k ohm
C803	168-1042-78	16V 0.1uF	D836	001-7093-91	RFY1112H-16-TR	R804	116-3321-15	1/4W 3.3k ohm
C804	168-4732-78	0.047uF K			YEL	R805	116-3321-15	1/4W 3.3k ohm
C805	168-4732-78	0.047uF K	D837	001-7093-91	RFY1112H-16-TR	R806	116-3321-15	1/4W 3.3k ohm
C806	168-4732-78	0.047uF K			YEL	R807	116-3321-15	1/4W 3.3k ohm
C807	166-2211-50	220pF CH	D838	001-7093-91	RFY1112H-16-TR	R808	116-3321-15	1/4W 3.3k ohm
C901	168-1042-78	16V 0.1uF			YEL	R809	116-3921-15	1/4W 3.9k ohm
C902	166-1011-50	100pF CH	D839	001-7093-91	RFY1112H-16-TR	R810	116-2421-15	1/4W 2.4k ohm
C903	168-1042-78	16V 0.1uF			YEL	R811	116-4721-15	1/4W 4.7k ohm
C904	166-1011-50	100pF CH	D846	001-7093-91	RFY1112H-16-TR	R812	116-4721-15	1/4W 4.7k ohm
C905	166-1011-50	100pF CH			YEL	R813	116-4721-15	1/4W 4.7k ohm
C906	042-0423-97	16V 10uF	D847	001-7093-91	RFY1112H-16-TR	R814	116-4721-15	1/4W 4.7k ohm
C907	168-1042-78	16V 0.1uF			YEL	R815	116-2221-15	1/4W 2.2k ohm
C908	168-1042-78	16V 0.1uF	D848	001-7093-91	RFY1112H-16-TR	R816	116-2221-15	1/4W 2.2k ohm
C909	178-3312-78	330pF			YEL	R817	119-1521-15	1/10W 1.5k ohm
CCT801	050-0145-52	1/16W 1k ohm x4	D849	001-7093-91	RFY1112H-16-TR	R819	116-3321-15	1/4W 3.3k ohm
D801	001-0529-32	MA8056-M			YEL	R822	119-2421-15	1/10W 2.4k ohm
D802	001-0529-32	MA8056-M	D850	001-7093-91	RFY1112H-16-TR	R823	116-4721-15	1/4W 4.7k ohm
D803	001-0529-32	MA8056-M			YEL	R824	119-2421-15	1/10W 2.4k ohm
D804	001-0529-32	MA8056-M	D851	001-7093-91	RFY1112H-16-TR	R825	116-4721-15	1/4W 4.7k ohm
D805	001-0529-32	MA8056-M			YEL	R826	119-2421-15	1/10W 2.4k ohm
D806	001-7093-91	RFY1112H-16-TR	D852	001-7093-91	RFY1112H-16-TR	R827	116-3921-15	1/4W 3.9k ohm
		YEL			YEL	R828	119-2421-15	1/10W 2.4k ohm
D807	001-7093-91	RFY1112H-16-TR	D853	001-7093-91	RFY1112H-16-TR	R829	116-2421-15	1/4W 2.4k ohm
		YEL			YEL	R830	119-2421-15	1/10W 2.4k ohm
D808	001-7093-91	RFY1112H-16-TR	D855	001-7093-91	RFY1112H-16-TR	R831	116-4721-15	1/4W 4.7k ohm
		YEL			YEL	R832	119-2421-15	1/10W 2.4k ohm
D809	001-7093-91	RFY1112H-16-TR	D856	001-7093-91	RFY1112H-16-TR	R833	119-1521-15	1/10W 1.5k ohm
		YEL			YEL	R905	119-2711-15	1/10W 270 ohm
D810	001-7093-91	RFY1112H-16-TR	D857	001-7093-91	RFY1112H-16-TR	R909	119-1031-15	1/10W 10k ohm
		YEL			YEL	R914	119-5631-15	1/10W 56k ohm
D811	001-7093-91	RFY1112H-16-TR	D858	001-7093-91	RFY1112H-16-TR	R916	119-1821-15	1/10W 1.8k ohm
		YEL			YEL	R917	119-2711-15	1/10W 270 ohm
D812	001-7093-91	RFY1112H-16-TR	D859	001-7093-91	RFY1112H-16-TR	R918	119-1011-15	1/10W 100 ohm
		YEL			YEL	R919	119-1011-15	1/10W 100 ohm
D813	001-7093-91	RFY1112H-16-TR	D860	001-7093-91	RFY1112H-16-TR	S801	016-7004-00	ROTARY SWITCH
		YEL			YEL	S802	013-6201-52	SKPMAP010
D814	001-7093-91	RFY1112H-16-TR	D861	001-7093-91	RFY1112H-16-TR	S803	013-6202-52	SKPMBJE010
		YEL			YEL	S804	013-6202-52	SKPMBJE010
D815	001-7093-91	RFY1112H-16-TR	D862	001-7093-91	RFY1112H-16-TR	S807	013-6202-52	SKPMBJE010
		YEL			YEL	S808	013-6201-52	SKPMAP010
D816	001-7093-91	RFY1112H-16-TR	D864	001-7093-91	RFY1112H-16-TR	S809	013-6201-52	SKPMAP010
		YEL			YEL	S810	013-6202-52	SKPMBJE010
D817	001-7093-91	RFY1112H-16-TR	D865	001-7093-91	RFY1112H-16-TR	S811	013-6202-52	SKPMBJE010
		YEL			YEL	S812	013-6202-52	SKPMBJE010
D818	001-7093-91	RFY1112H-16-TR	D866	001-7093-91	RFY1112H-16-TR	S813	013-6201-52	SKPMAP010
		YEL			YEL	S814	013-6201-52	SKPMAP010
D819	001-7093-91	RFY1112H-16-TR	D867	001-7093-91	RFY1112H-16-TR	S815	013-6202-52	SKPMBJE010
		YEL			YEL	S816	013-6202-52	SKPMBJE010
D820	001-7093-91	RFY1112H-16-TR	D869	001-7093-91	RFY1112H-16-TR	S818	013-6201-52	SKPMAP010
		YEL			YEL	S819	013-6201-52	SKPMAP010
D821	001-7093-91	RFY1112H-16-TR	D870	001-7093-91	RFY1112H-16-TR	S820	013-6201-52	SKPMAP010
		YEL			YEL	S821	013-6202-52	SKPMBJE010
D822	001-7093-91	RFY1112H-16-TR	IC801	051-6075-00	LC75816W-8722-E	S822	013-6201-52	SKPMAP010
		YEL	IC901	060-8079-90	UGZ5-601D	S823	013-6201-52	SKPMAP010
D823	001-7093-91	RFY1112H-16-TR	J801	074-3013-72	22P	S824	013-6201-52	SKPMAP010
		YEL	J901	074-3013-66	16P	S825	013-6201-52	SKPMAP010
D824	001-7093-91	RFY1112H-16-TR	LCD801	379-1392-52	INDICATOR (LCD)	S826	013-6201-52	SKPMAP010
		YEL	L901	010-3104-54	600 ohm/100MHz	S827	013-6201-52	SKPMAP010
D830	001-7093-91	RFY1112H-16-TR	L902	010-3104-54	600 ohm/100MHz	S828	013-6201-52	SKPMAP010
		YEL	L903	010-3104-54	600 ohm/100MHz	TM901	073-0778-90	TERMINAL
D831	001-7093-91	RFY1112H-16-TR	L904	010-3104-54	600 ohm/100MHz	TM902	073-0778-90	TERMINAL
		YEL	L906	010-3104-54	600 ohm/100MHz	TM903	073-0778-90	TERMINAL
D832	001-7093-91	RFY1112H-16-TR	L907	010-3104-54	600 ohm/100MHz	TM904	073-0778-90	TERMINAL
		YEL	L909	010-3104-54	600 ohm/100MHz	PWB	039-2925-01	PWB(WITHOUT COMPONENT)
D833	001-7093-91	RFY1112H-16-TR	L910	010-3104-54	600 ohm/100MHz			
		YEL	L911	010-3104-54	600 ohm/100MHz			
D834	001-7093-91	RFY1112H-16-TR	L912	010-3104-54	600 ohm/100MHz			
		YEL	R801	119-0000-05	1/10W 0 ohm JW			

## Main PWB(B2) section

(Note) Some parts depend on each model. The model name is specified in the description.

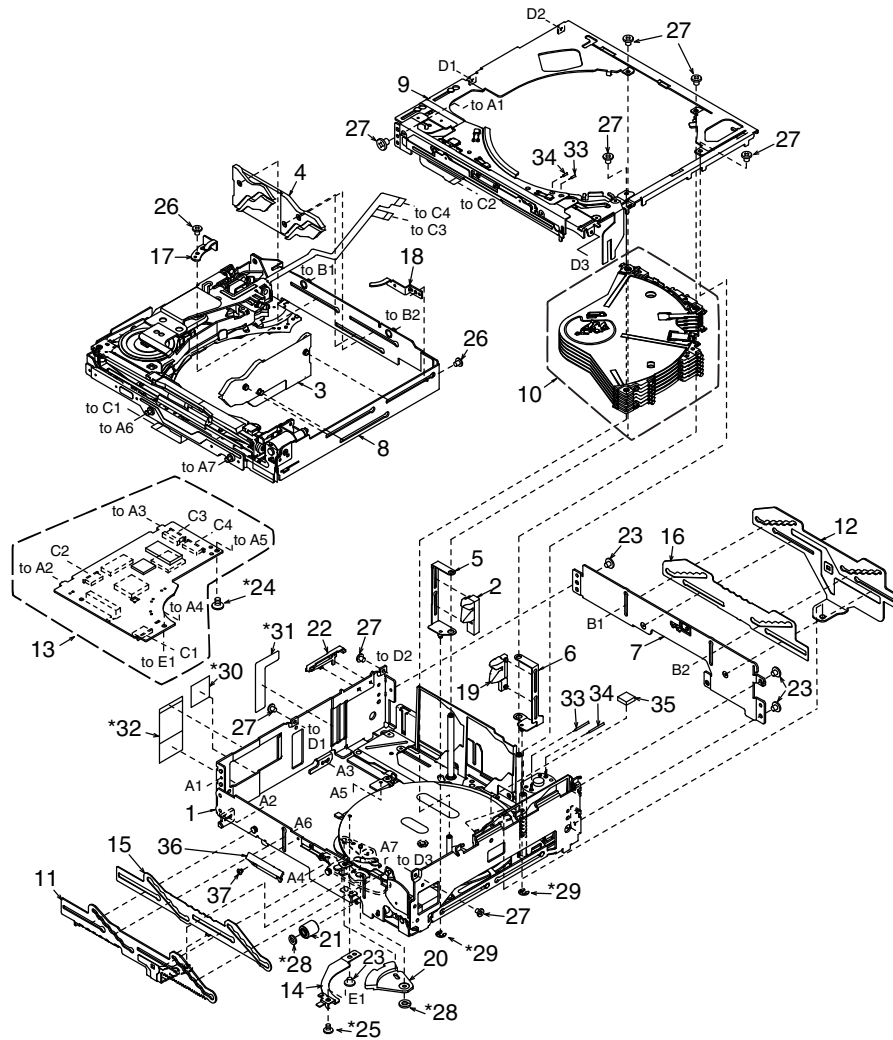
REF No.	PART No.	DESCRIPTION	REF No.	PART No.	DESCRIPTION	REF No.	PART No.	DESCRIPTION
ANT101	092-2210-01	ANTENNA RECEPT	C315	168-1022-55	1000pF K	C533	168-5632-78	16V 0.056uF
BL101	880-2091M	FM/AM TUNER	C316	168-1022-55	1000pF K	C534	168-5632-78	16V 0.056uF
C104	168-2222-55	2200pF K (PN-3124N-A)	C317	166-1011-50	100pF CH	C535	168-5632-78	16V 0.056uF
C108	166-1511-50	150pF CH (PN-3124N-A)	C318	168-1042-78	16V 0.1uF	C536	168-5632-78	16V 0.056uF
C108	119-0000-05	1/10W 0 ohm JW (PN-3124N-B)	C319	168-5622-55	5600pF K	C537	178-1052-78	1uF
C109	166-2201-50	22pF CH	C320	168-5622-55	5600pF K	C540	163-1063-35	16V 10uF
C110	168-1042-78	16V 0.1uF	C323	168-1022-55	1000pF K	C541	168-1522-55	1500pF K
C111	178-3342-78	0.33uF	C324	163-2273-05	4V 220uF	C546	168-1042-78	16V 0.1uF
C112	163-4763-15	6.3V 47uF	C325	168-2222-55	2200pF K	C547	178-1052-78	1uF
C113	178-1052-78	1uF	C326	166-4711-50	470pF CH	C549	163-2273-25	10V 220uF
C114	178-1052-78	1uF	C327	163-2263-35	16V 22uF	C550	178-4742-78	0.47uF
C115	119-0000-05	1/10W 0 ohm JW	C328	168-1022-55	1000pF K	C551	168-1042-38	50V 0.1uF
C116	168-1222-55	1200pF K	C329	166-1007-50	10pF CH	C552	163-4763-35	16V 47uF
C117	178-1052-78	1uF	C330	163-1063-35	16V 10uF	C553	163-4763-35	16V 47uF
C118	168-4732-78	0.047uF K	C331	166-1011-50	100pF CH	C554	189-3383-31	16V 3300uF
C119	168-1022-55	1000pF K	C333	168-1042-78	16V 0.1uF	C556	172-1041-15	0.1uF
C120	168-4722-55	4700pF K	C334	163-4763-15	6.3V 47uF	C557	163-4763-35	16V 47uF
C121	168-4722-55	4700pF K	C335	178-1052-78	1uF	C559	168-6822-55	6800pF K
C122	163-1073-35	16V 100uF	C336	168-3332-78	0.033uF K	C560	168-6822-55	6800pF K
C123	168-2222-55	2200pF K	C338	168-1022-55	1000pF K	C561	168-6822-55	6800pF K
C124	168-1022-55	1000pF K	C339	168-1022-55	1000pF K	C562	168-6822-55	6800pF K
C125	168-2232-55	0.022uF K	C340	166-1007-50	10pF CH	C563	168-6822-55	6800pF K
C126	168-2232-55	0.022uF K	C341	168-4712-55	470pF K	C564	166-2201-50	22pF CH
C127	168-1022-55	1000pF K	C342	168-1042-78	16V 0.1uF	C565	168-6822-55	6800pF K
C128	168-1022-55	1000pF K	C343	168-1022-55	1000pF K	C566	168-6822-55	6800pF K
C129	178-1052-78	1uF	C345	168-3322-55	3300pF K	C567	043-0604-90	25V 10uF B
C130	168-1022-55	1000pF K	C346	168-3322-55	3300pF K	C568	168-6822-55	6800pF K
C131	163-1073-35	16V 100uF	C347	168-3322-55	3300pF K	C569	168-6822-55	6800pF K
C132	166-2201-50	22pF CH	C348	168-3322-55	3300pF K	C571	043-0566-90	50V 2.2uF K
C133	166-2201-50	22pF CH	C350	042-0643-58	6.3V 330uF	C572	178-1052-78	1uF
C134	166-2201-50	22pF CH	C351	168-4722-55	4700pF K	C573	168-1042-78	16V 0.1uF
C135	166-2201-50	22pF CH	C352	168-2222-55	2200pF K	C574	163-1063-35	16V 10uF
C136	178-1052-78	1uF	C353	168-2222-55	2200pF K	C575	168-2232-55	0.022uF K
C137	178-1052-78	1uF	C354	168-2222-55	2200pF K	C576	163-1073-35	16V 100uF
C138	178-3342-78	0.33uF	C355	168-2222-55	2200pF K	C577	168-2212-55	220pF K
C140	163-1063-35	16V 10uF	C356	163-1073-15	6.3V 100uF	C578	119-0000-05	1/10W 0 ohm JW
C141	163-1063-35 (PN-3124N-A)	16V 10uF	C359	168-1022-55	1000pF K	CCT401	050-0145-52	1/16W 1k ohm x4
C142	168-1042-78	16V 0.1uF	C360	166-4711-50	470pF CH	CCT402	050-0145-52	1/16W 1k ohm x4
C143	166-6801-50	68pF CH	C361	043-0554-90	25V 10uF	CCT403	050-0145-52	1/16W 1k ohm x4
C144	043-0548-50	2.2uF	C401	168-1042-78	16V 0.1uF	CCT402	050-0145-52	1/16W 1k ohm x4
C201	043-0548-50	2.2uF	C402	168-1042-78	16V 0.1uF	D106	001-0580-90	1SS352
C202	043-0548-50	2.2uF	C404	166-5096-50	5pF CH	D108	001-0529-48	MA8091-H
C203	043-0548-50	2.2uF	C406	166-5096-50	5pF CH	D109	001-0580-90	1SS352 (PN-3124N-A)
C204	043-0548-50	2.2uF	C407	168-1042-78	16V 0.1uF	D208	001-0580-90	1SS352
C220	163-3373-15	6.3V 330uF	C408	163-4763-15	6.3V 47uF	D210	001-0529-72	MA8200-M
C227	042-0643-58	6.3V 330uF	C409	168-1042-78	16V 0.1uF	D211	001-9210-50	AVR- M1608C270MTAAD
C228	163-2273-25	10V 220uF	C412	168-1032-55	0.01uF K	D212	001-9210-50	AVR- M1608C270MTAAD
C229	163-1063-35	16V 10uF	C413	163-1073-35	16V 100uF	D213	001-9210-50	AVR- M1608C270MTAAD
C230	168-1042-78	16V 0.1uF	C501	168-1042-78	16V 0.1uF	D214	001-9210-50	AVR- M1608C270MTAAD
C232	163-1063-35	16V 10uF	C502	168-1042-78	16V 0.1uF	D215	001-2412-90	RR264M-400
C233	168-1042-78	16V 0.1uF	C503	168-1042-78	16V 0.1uF	D505	001-0529-48	MA8091-H
C236	178-1052-78	1uF	C504	168-1042-78	16V 0.1uF	D506	001-2640-90	D1FJ4
C238	178-3342-78	0.33uF	C505	166-5611-50	560pF CH	D508	001-0529-48	MA8091-H
C241	168-1022-55	1000pF K	C506	166-5611-50	560pF CH	D510	001-2015-00	RL253
C242	168-1022-55	1000pF K	C507	166-5611-50	560pF CH	D511	001-0580-90	1SS352
C301	163-4753-65	50V 4.7uF	C508	166-5611-50	560pF CH	D512	001-0529-48	MA8091-H
C302	168-1042-78	16V 0.1uF	C509	166-2201-50	22pF CH	D514	001-0580-90	1SS352
C303	166-1811-50	180pF CH	C510	166-2201-50	22pF CH	D515	001-0529-34	MA8062-L
C304	166-1007-50	10pF CH	C511	043-0554-90	25V 10uF	D516	001-0580-90	1SS352
C306	168-1042-78	16V 0.1uF	C512	178-3342-78	0.33uF	D567	001-0580-90	1SS352
C307	168-1042-78	16V 0.1uF	C513	166-2201-50	22pF CH	D568	001-0580-90	1SS352
C308	166-8097-50	8pF C CH	C514	166-2201-50	22pF CH	D569	001-4301-68	HZU18B1
C309	166-8097-50	8pF C CH	C516	166-5611-50	560pF CH	D570	001-4301-68	HZU18B1
C310	168-1022-55	1000pF K	C517	166-5611-50	560pF CH	D571	001-4301-68	HZU18B1
C311	163-4753-65	50V 4.7uF	C519	166-5611-50	560pF CH	IC101	051-6524-90	AK2301A-E1
C312	168-1042-78	16V 0.1uF	C520	166-5611-50	560pF CH	IC103	051-3034-90	NJM4558V
C313	163-4753-65	50V 4.7uF	C521	168-1042-78	16V 0.1uF	IC104	051-3519-90	NJU7771F05-TE2
C314	168-1042-78	16V 0.1uF	C522	178-3342-78	0.33uF			
			C523	163-1063-35	16V 10uF			
			C525	163-1073-35	16V 100uF			
			C530	163-1073-35	16V 100uF			
			C532	168-1042-78	16V 0.1uF			

REF No.	PART No.	DESCRIPTION	REF No.	PART No.	DESCRIPTION	REF No.	PART No.	DESCRIPTION
IC107	051-7255-08	SN74AHC1G66	Q403	191-0709-00	2SB709A Q,R,S	R210	119-1021-15	1/10W 1k ohm
		HDCKR	Q404	192-2712-00	2SC2712	R212	119-3331-15	1/10W 33k ohm
IC204	051-3340-00	LD1085P	Q503	125-2027-91	DTC114EUA	R215	119-4731-15	1/10W 47k ohm
IC205	051-3516-90	S-1132B33-U5T1G	Q504	191-1197-50	2SB1197K Q,R	R220	119-1041-15	1/10W 100k ohm
IC301	-----	SAF7730HV/N317	Q506	125-2027-91	DTC114EUA	R224	119-4721-15	1/10W 4.7k ohm
IC402	-----	M30876FJGBP	Q507	191-1197-50	2SB1197K Q,R	R227	119-4721-15	1/10W 4.7k ohm
IC404	051-5417-08	S-80927CNMC-G8X	Q509	193-2118-00	2SD2118F5 Q,R,S	R229	119-4721-15	1/10W 4.7k ohm
IC406	051-9425-80	S-24CS64A0I-J8T1G	Q512	125-2027-91	DTC114EUA	R233	119-4721-15	1/10W 4.7k ohm
IC501	051-3019-90	NJM2060V	Q515	193-1664-00	2SD1664 P,Q,R	R248	116-2201-15	1/4W 22 ohm
IC502	051-3518-90	NJM2846DL3-33-TE1	Q516	192-4116-51	2SC4116 G,L	R249	032-0140-98	1/10W 330 ohm F
			Q517	191-1204-61	2SB1204 R,S,T	R250	116-1221-15	1/4W 1.2k ohm
IC503	051-2042-00	TA8275H	Q518	125-2027-91	DTC114EUA	R251	032-0140-93	1/10W 2k ohm F
IC504	051-3396-90	NJM2386ADL3-33-TE1	Q519	191-1197-50	2SB1197K Q,R	R252	119-1031-15	1/10W 10k ohm
			Q520	192-4116-00	2SC4116	R301	119-1031-15	1/10W 10k ohm
IC505	051-3517-90	LT3481EMSE	Q521	192-4081-00	2SC4081	R302	119-1031-15	1/10W 10k ohm
		#TRPBF	Q522	125-2027-91	DTC114EUA	R303	119-2201-15	1/10W 22 ohm
			Q523	192-4081-00	2SC4081	R304	032-0140-80	1/10W 18k ohm F
IC506	051-5441-08	BD4828G-TR	R103	119-3321-15	1/10W 3.3k ohm	R305	032-0140-80	1/10W 18k ohm F
J201	074-1302-12	TH12P-SOCKET	R106	119-0000-05	1/10W 0 ohm JW	R306	032-0140-80	1/10W 18k ohm F
J202	074-1237-69	19PIN	R109	119-3321-15	1/10W 3.3k ohm	R307	032-0140-80	1/10W 18k ohm F
J502	074-4009-20	SOCKET(20P)	R111	119-3321-15	1/10W 3.3k ohm	R314	119-1011-15	1/10W 100 ohm
L105	010-2003-04	30uH	R112	119-0000-05	1/10W 0 ohm JW	R315	119-1031-15	1/10W 10k ohm
L106	010-3104-54	600 ohm/100MHz	R113	119-3321-15	1/10W 3.3k ohm	R316	119-1021-15	1/10W 1k ohm
L107	010-3104-54	600 ohm/100MHz	R116	119-2741-15	1/10W 270k ohm	R317	119-1031-15	1/10W 10k ohm
L108	010-2198-50	0.15uH	R117	119-3331-15	1/10W 33k ohm	R318	119-3921-15	1/10W 3.9k ohm
L301	010-3104-54	600 ohm/100MHz	R118	119-3931-15	1/10W 39k ohm	R319	119-1031-15	1/10W 10k ohm
L302	010-3104-54	600 ohm/100MHz	R121	119-3931-15	1/10W 39k ohm	R320	119-3921-15	1/10W 3.9k ohm
L303	010-3104-54	600 ohm/100MHz	R122	119-1031-15	1/10W 10k ohm	R321	119-1031-15	1/10W 10k ohm
L304	010-3104-54	600 ohm/100MHz	R123	119-1031-15	1/10W 10k ohm	R322	119-0000-05	1/10W 0 ohm JW
L305	010-3104-54	600 ohm/100MHz	R124	119-3931-15	1/10W 39k ohm	R323	119-1031-15	1/10W 10k ohm
L306	010-3104-54	600 ohm/100MHz	R125	119-1031-15	1/10W 10k ohm	R324	119-1041-15	1/10W 100k ohm
L307	010-3104-54	600 ohm/100MHz	R126	119-1011-15	1/10W 100 ohm	R325	119-1041-15	1/10W 100k ohm
L308	010-3104-54	600 ohm/100MHz	R127	119-4731-15	1/10W 47k ohm	R326	119-1001-15	1/10W 10 ohm
L309	010-3104-54	600 ohm/100MHz	R128	119-4731-15	1/10W 47k ohm	R327	119-3921-15	1/10W 3.9k ohm
L310	010-3104-54	600 ohm/100MHz	R129	119-4731-15	1/10W 47k ohm	R328	119-0000-05	1/10W 0 ohm JW
L311	010-3104-54	600 ohm/100MHz	R130	119-8221-15	1/10W 8.2k ohm	R329	119-1021-15	1/10W 1k ohm
L312	010-3104-54	600 ohm/100MHz	R131	119-1011-15	1/10W 100 ohm	R330	119-3921-15	1/10W 3.9k ohm
L313	010-3104-54	600 ohm/100MHz	R132	119-1011-15	1/10W 100 ohm	R331	119-0000-05	1/10W 0 ohm JW
L402	010-3406-54	2.2uH J	R134	119-1031-15	1/10W 10k ohm	R332	032-0140-50	1/10W 10k ohm F
L501	010-3104-54	600 ohm/100MHz	R135	119-2231-15	1/10W 22k ohm	R334	032-0140-50	1/10W 10k ohm F
L503	010-3414-90	6.8uH	R136	116-6891-15	1/4W 6.8 ohm	R336	032-0140-50	1/10W 10k ohm F
P101	076-3011-66	16P	R138	119-1031-15	1/10W 10k ohm	R337	032-0140-50	1/10W 10k ohm F
P401	076-0478-59	PLUG (9P)	R139	119-1041-15	1/10W 100k ohm	R338	032-0140-50	1/10W 10k ohm F
P402	076-3011-72	22P	R140	119-1001-15	1/10W 10 ohm	R339	032-0140-50	1/10W 10k ohm F
Q101	198-3018-00	2SK3018	R141	119-1031-15	1/10W 10k ohm	R340	032-0140-50	1/10W 10k ohm F
Q102	198-3018-00	2SK3018	R143	119-2231-15	1/10W 22k ohm	R341	119-1031-15	1/10W 10k ohm
Q104	125-9017-92	UMD3N-TR	R144	119-2231-15	1/10W 22k ohm	R342	119-1031-15	1/10W 10k ohm
Q105	125-2027-91	DTC114EUA	R145	119-1001-15	1/10W 10 ohm	R343	119-1031-15	1/10W 10k ohm
Q106	125-2027-91	DTC114EUA	R146	119-1031-15	1/10W 10k ohm	R344	119-1011-15	1/10W 100 ohm
Q107	125-2027-91	DTC114EUA	R148	116-1091-15	1/4W 1 ohm	R345	119-1011-15	1/10W 100 ohm
Q108	125-2027-91	DTC114EUA			(PN-3124N-A)	R346	119-0000-05	1/10W 0 ohm JW
Q109	192-5886-00	2SC5886	R149	116-1221-15	1/4W 1.2k ohm	R347	119-0000-05	1/10W 0 ohm JW
Q110	125-2027-90	DTC143EU			(PN-3124N-A)	R348	119-0000-05	1/10W 0 ohm JW
		(PN-3124N-A)	R150	116-3911-15	1/4W 390 ohm	R349	119-0000-05	1/10W 0 ohm JW
Q111	190-2060-00	2SA2060	R151	119-1031-15	1/10W 10k ohm	R350	119-1031-15	1/10W 10k ohm
		(PN-3124N-A)			(PN-3124N-A)	R351	119-0000-05	1/10W 0 ohm JW
Q112	125-9017-92	UMD3N-TR	R153	119-1041-15	1/10W 100k ohm	R352	119-4731-15	1/10W 47k ohm
Q201	192-4081-00	2SC4081	R162	119-0000-05	1/10W 0 ohm JW	R353	119-1021-15	1/10W 1k ohm
Q204	125-9017-92	UMD3N-TR	R165	119-1031-15	1/10W 10k ohm	R354	119-1021-15	1/10W 1k ohm
Q206	198-3018-00	2SK3018	R166	119-1031-15	1/10W 10k ohm	R355	119-1021-15	1/10W 1k ohm
Q207	198-3018-00	2SK3018	R167	119-1031-15	1/10W 10k ohm	R356	119-1021-15	1/10W 1k ohm
Q219	125-2027-90	DTC143EU	R168	119-1031-15	1/10W 10k ohm	R357	119-4731-15	1/10W 47k ohm
Q220	191-1197-50	2SB1197K Q,R	R169	119-1031-15	1/10W 10k ohm	R358	119-1001-15	1/10W 10 ohm
Q222	125-9017-92	UMD3N-TR	R170	119-1031-15	1/10W 10k ohm	R359	119-4731-15	1/10W 47k ohm
Q301	125-7007-90	Si5441BDC-TI-E3	R171	119-0000-05	1/10W 0 ohm JW	R360	119-4731-15	1/10W 47k ohm
Q302	125-2027-91	DTC114EUA	R172	119-0000-05	1/10W 0 ohm JW	R361	119-4731-15	1/10W 47k ohm
Q303	125-2027-91	DTC114EUA	R173	119-1531-15	1/10W 15k ohm	R362	119-4731-15	1/10W 47k ohm
Q304	125-2027-91	DTC114EUA	R174	119-2231-15	1/10W 22k ohm	R400	119-0000-05	1/10W 0 ohm JW
Q305	125-2027-91	DTC114EUA	R175	119-1021-15	1/10W 1k ohm	R401	119-1021-15	1/10W 1k ohm
Q306	125-2027-91	DTC114EUA	R176	119-3931-15	1/10W 39k ohm	R402	119-1021-15	1/10W 1k ohm
Q307	125-2027-91	DTC114EUA	R177	119-6821-15	1/10W 6.8k ohm	R403	119-1021-15	1/10W 1k ohm
Q308	125-2027-91	DTC114EUA	R207	119-3011-15	1/10W 300 ohm	R404	119-0000-05	1/10W 0 ohm JW
Q401	125-2027-91	DTC114EUA	R208	119-3011-15	1/10W 300 ohm	R405	119-1021-15	1/10W 1k ohm
Q402	125-0021-91	DTA114EUA						

REF No.	PART No.	DESCRIPTION	REF No.	PART No.	DESCRIPTION	REF No.	PART No.	DESCRIPTION
R406	119-1021-15	1/10W 1k ohm	R471	119-1241-15	1/10W 120k ohm	R568	116-1221-15	1/4W 1.2k ohm
R407	119-1021-15	1/10W 1k ohm	R472	119-3331-15	1/10W 33k ohm	R569	116-1221-15	1/4W 1.2k ohm
R408	119-4721-15	1/10W 4.7k ohm	R473	119-6801-15	1/10W 68 ohm	R570	119-1031-15	1/10W 10k ohm
R409	119-4721-15	1/10W 4.7k ohm	R474	119-2241-15	1/10W 220k ohm	R571	119-4721-15	1/10W 4.7k ohm
R410	119-4731-15	1/10W 47k ohm	R489	119-4731-15	1/10W 47k ohm	R572	119-1031-15	1/10W 10k ohm
R411	119-3311-15	1/10W 330 ohm	R502	119-1031-15	1/10W 10k ohm	R573	032-0148-50	1/10W 100k ohm
R412	119-3311-15	1/10W 330 ohm	R503	119-1031-15	1/10W 10k ohm	R574	032-0140-16	1/10W 180k ohm F
R413	119-4731-15	1/10W 47k ohm	R504	119-1031-15	1/10W 10k ohm	R575	116-2721-15	1/4W 2.7k ohm
R416	119-4731-15	1/10W 47k ohm	R505	119-1031-15	1/10W 10k ohm	R576	116-1531-15	1/4W 15k ohm
R417	119-4731-15	1/10W 47k ohm	R507	119-1031-15	1/10W 10k ohm	R577	119-0000-05	1/10W 0 ohm JW
R422	119-1011-15	1/10W 100 ohm	R508	119-1031-15	1/10W 10k ohm	R578	119-2221-15	1/10W 2.2k ohm
R423	119-1011-15	1/10W 100 ohm	R509	119-1031-15	1/10W 10k ohm	R580	116-1531-15	1/4W 15k ohm
R424	119-1011-15	1/10W 100 ohm	R510	119-1031-15	1/10W 10k ohm	R581	119-1031-15	1/10W 10k ohm
R425	119-1011-15	1/10W 100 ohm	R511	119-0000-05	1/10W 0 ohm JW	R582	119-5611-15	1/10W 560 ohm
R426	119-1011-15	1/10W 100 ohm	R512	119-1031-15	1/10W 10k ohm	R583	116-4791-15	1/4W 4.7 ohm
R427	119-1011-15	1/10W 100 ohm	R513	119-1031-15	1/10W 10k ohm	R584	116-4791-15	1/4W 4.7 ohm
R428	119-1031-15	1/10W 10k ohm	R514	119-1051-15	1/10W 1M ohm	R585	119-1031-15	1/10W 10k ohm
R429	119-1031-15	1/10W 10k ohm	R515	119-1051-15	1/10W 1M ohm	R586	119-0000-05	1/10W 0 ohm JW
R436	119-1021-15	1/10W 1k ohm	R517	119-1051-15	1/10W 1M ohm	R587	119-2231-15	1/10W 22k ohm
R437	119-1021-15	1/10W 1k ohm	R518	119-1051-15	1/10W 1M ohm	R588	119-3321-15	1/10W 3.3k ohm
R440	119-4721-15	1/10W 4.7k ohm	R519	119-1031-15	1/10W 10k ohm	R590	119-0000-05	1/10W 0 ohm JW
R441	119-1021-15	1/10W 1k ohm	R520	119-1031-15	1/10W 10k ohm	R591	119-0000-05	1/10W 0 ohm JW
R442	119-1031-15	1/10W 10k ohm	R521	119-1031-15	1/10W 10k ohm	R592	119-0000-05	1/10W 0 ohm JW
R443	119-4731-15	1/10W 47k ohm	R522	119-1031-15	1/10W 10k ohm	R593	119-0000-05	1/10W 0 ohm JW
R445	119-0000-05	1/10W 0 ohm JW	R523	119-1031-15	1/10W 10k ohm	R594	119-0000-05	1/10W 0 ohm JW
R446	119-4731-15	1/10W 47k ohm	R524	119-1031-15	1/10W 10k ohm	R595	119-4731-15	1/10W 47k ohm
R447	119-1031-15	1/10W 10k ohm	R525	119-1031-15	1/10W 10k ohm	R596	119-4731-15	1/10W 47k ohm
R448	119-4731-15	1/10W 47k ohm	R526	119-1031-15	1/10W 10k ohm	R597	119-7531-15	1/10W 75k ohm
R449	119-1021-15	1/10W 1k ohm	R533	119-1031-15	1/10W 10k ohm	R598	119-4731-15	1/10W 47k ohm
R450	119-1021-15	1/10W 1k ohm	R534	119-1031-15	1/10W 10k ohm	R943	119-1021-15	1/10W 1k ohm
R451	119-4731-15	1/10W 47k ohm	R535	119-1031-15	1/10W 10k ohm	SUP102	060-0122-91	DSP-141N-S00B
R452	119-4731-15	1/10W 47k ohm	R540	116-6811-15	1/4W 680 ohm	TH101	002-0229-00	PTH8L05BAIR8M1B
R453	119-4731-15	1/10W 47k ohm	R542	032-0140-03	1/10W 220k ohm F	TH201	002-0229-00	PTH8L05BAIR8M1B
R454	119-4731-15	1/10W 47k ohm	R543	032-0140-19	1/10W 75k ohm F	T508	009-0670-81	180uH
R455	119-2231-15	1/10W 22k ohm	R548	119-2241-15	1/10W 220k ohm	TM101	073-0762-90	TERMINAL
R456	119-4731-15	1/10W 47k ohm	R551	119-1031-15	1/10W 10k ohm	TM102	073-0762-90	TERMINAL
R458	119-1011-15	1/10W 100 ohm	R553	119-4721-15	1/10W 4.7k ohm	TM201	073-0762-90	TERMINAL
R459	119-1011-15	1/10W 100 ohm	R554	032-0140-51	1/10W 15k ohm F	TM501	073-0762-90	TERMINAL
R460	119-4721-15	1/10W 4.7k ohm	R556	119-4721-15	1/10W 4.7k ohm	TM502	073-0762-90	TERMINAL
R461	119-4721-15	1/10W 4.7k ohm	R557	119-4721-15	1/10W 4.7k ohm	X301	061-3537-90	41.6MHz
R464	119-2231-15	1/10W 22k ohm	R563	116-3911-15	1/4W 390 ohm	X401	061-3541-90	CRYSTAL 10MHz
R465	119-4731-15	1/10W 47k ohm	R564	116-1221-15	1/4W 1.2k ohm	PWB	039-3125-00	PWB(WITHOUT COMPONENT)
R468	119-1031-15	1/10W 10k ohm	R565	116-1221-15	1/4W 1.2k ohm			
R469	119-1031-15	1/10W 10k ohm	R566	119-1521-15	1/10W 1.5k ohm			
R470	119-4731-15	1/10W 47k ohm	R567	119-1031-15	1/10W 10k ohm			

# EXPLODED VIEW/PARTS LIST

## Main section

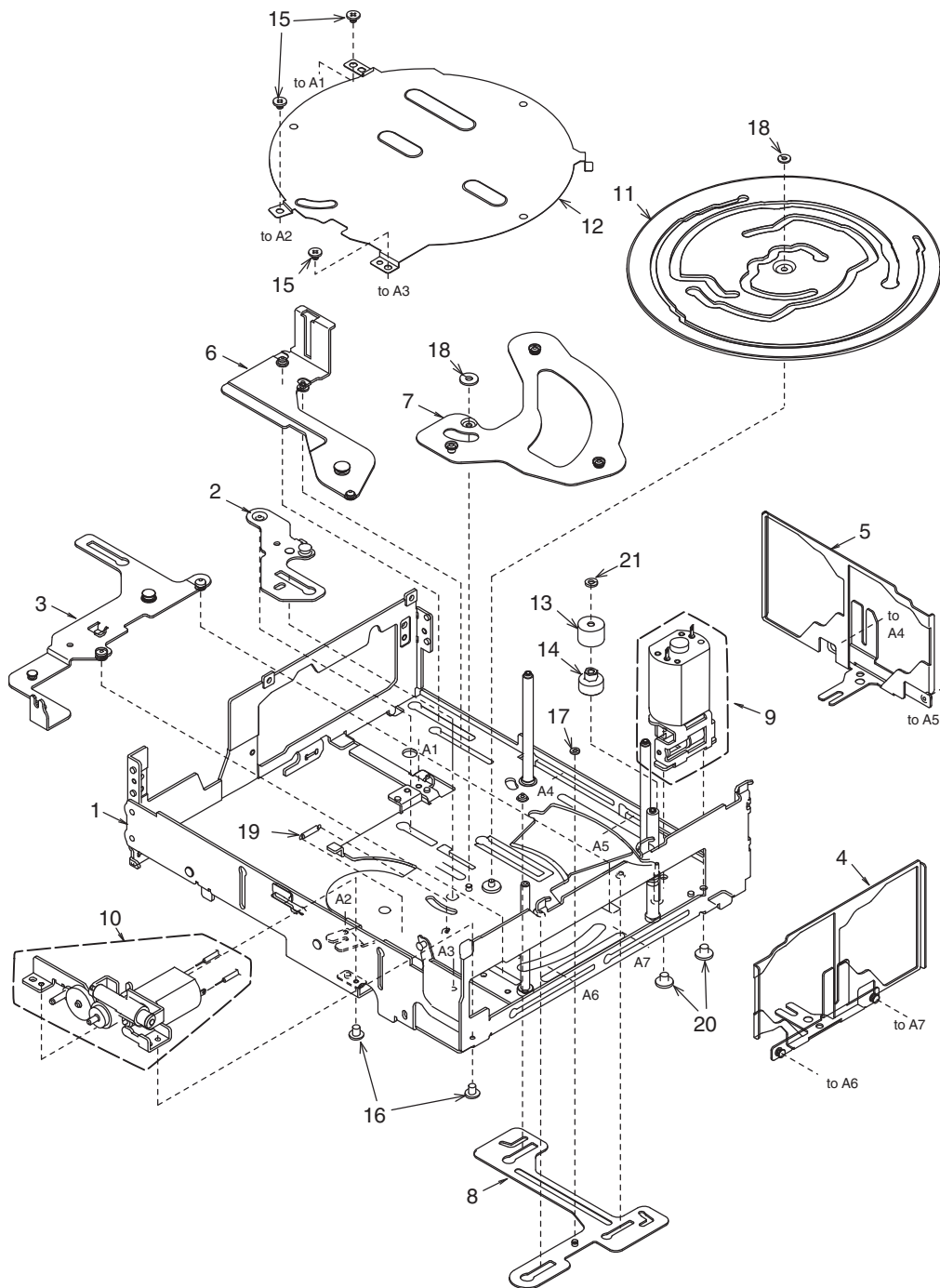


\* Do not reuse the following parts.

(No.24,25,28,29,30,31,32)

NO.	PART NO.	DESCRIPTION	Q'TY	NO.	PART NO.	DESCRIPTION	Q'TY
1	HBS-610-100	LOWER UNIT ASSY	1	20	621-1636-24	SW LINK	1
2	966-0667-21	DISC STP-ASSY L	1	21	621-1765-20	UD-GEAR-D	1
3	HBS-584-100	DH-SEL-ASSY S	1	22	621-1715-20	FPC-STOPPER	1
4	HBS-583-100	DH-SEL-ASSY R	1	23	716-1850-01	SCREW (M2.0x2.0)	4
5	966-0670-22	DS-SP-ASSY L	1	24	716-3629-00	SCREW (M2.0x2.5)	1
6	966-0671-23	DS-SP-ASSY R	1	25	716-1851-02	SCREW (M2.0x3.0)	1
7	966-0672-21	REAR-P-ASSY	1	26	716-3450-00	SCREW (M1.7x2.0)	2
8	966-1871-21	N-DRIVE-CH UNIT	1	27	716-3451-01	SCREW (M1.7x2.5)	8
9	966-1764-23	UPPRR UNIT ASSY	1	28	746-0761-00	WASHER	2
10	HBS-566-300	DISCHOLDER UNIT	1	29	744-0045-01	C-RING	2
11	966-1771-21	SLIDE-P-ASSY F	1	30	347-7271-00	FPC SHEET	1
12	966-0709-21	SLIDE-P-ASSY R	1	31	347-7275-00	PROTECT SHEET	1
13	HBS-605-100	CD-PWB-ASSY	1	32	347-7276-00	FPC-SHEET C	1
14	620-1640-21	SW-H-PLATE	1	33	800-4921-60	VINYL-COAT WIRE	1
15	620-1778-21	GAP PLATE F	1	34	802-4921-60	VINYL-COAT WIRE	1
16	620-1662-21	GAP PLATE R	1	35	345-5824-00	RUBBER PART	1
17	620-1685-21	DS-PLATE L	1	36	621-1763-20	LOADING GUIDE B	1
18	620-1686-20	DS-PLATE R	1	37	716-1859-01	SCREW (M1.7x2.0)	1
19	621-1634-23	DISC STOPPER R	1				


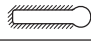



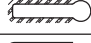


Lower unit assy section

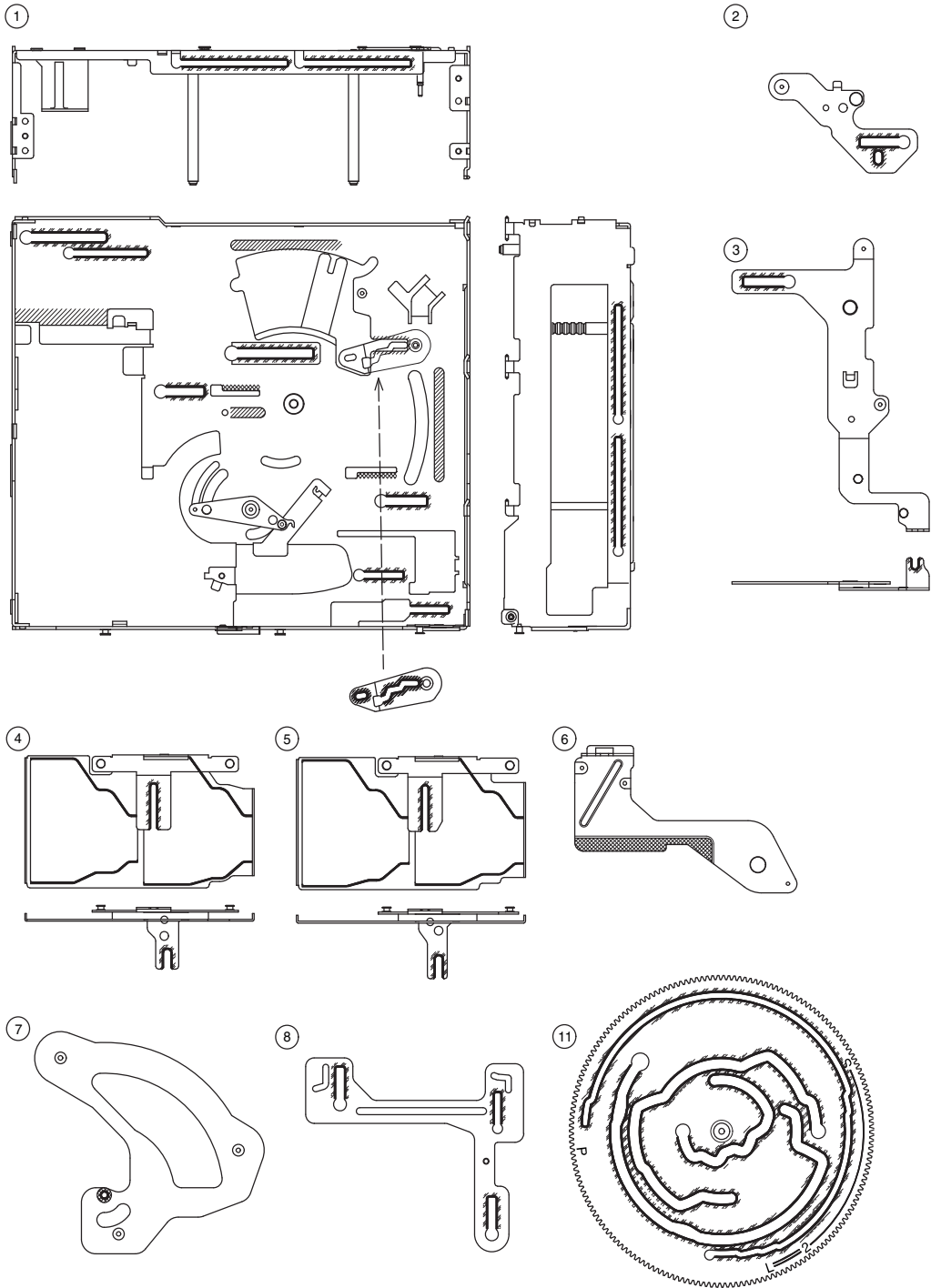


NO.	PART NO.	DESCRIPTION	Q'TY	NO.	PART NO.	DESCRIPTION	Q'TY
1	966-1869-20	LOWER-C-ASSY	1	12	620-1624-24	GEAR COVER	1
2	966-0658-22	DH-SP-ASSY A	1	13	621-0732-21	M-GEAR B	1
3	966-1758-20	DS-SP-ASSY A	1	14	621-0733-20	M-GEAR C	1
4	966-1808-20	DH-SP-ASSY S	1	15	716-1850-01	SCREW(M2.0x2.0)	3
5	966-1809-20	DH-SP-ASSY R	1	16	716-3451-01	SCREW(M1.7x2.5)	2
6	966-0677-23	D-SHT PL-B-ASSY	1	17	746-0761-00	WASHER	1
7	966-0659-22	DH-SP-ASSY B	1	18	746-0768-00	WASHER	2
8	966-0666-22	DS-SP-ASSY B	1	19	750-6756-20	SW-L-SPRING	1
9	HBS-546-100	M-MTR SUB ASSY	1	20	716-1851-03	SCREW(M2.0x3.0)	2
10	HBS-568-200	UD-MOTOR-ASSY	1	21	746-0941-00	WASHER	1
11	620-1623-24	CAM GEAR	1				

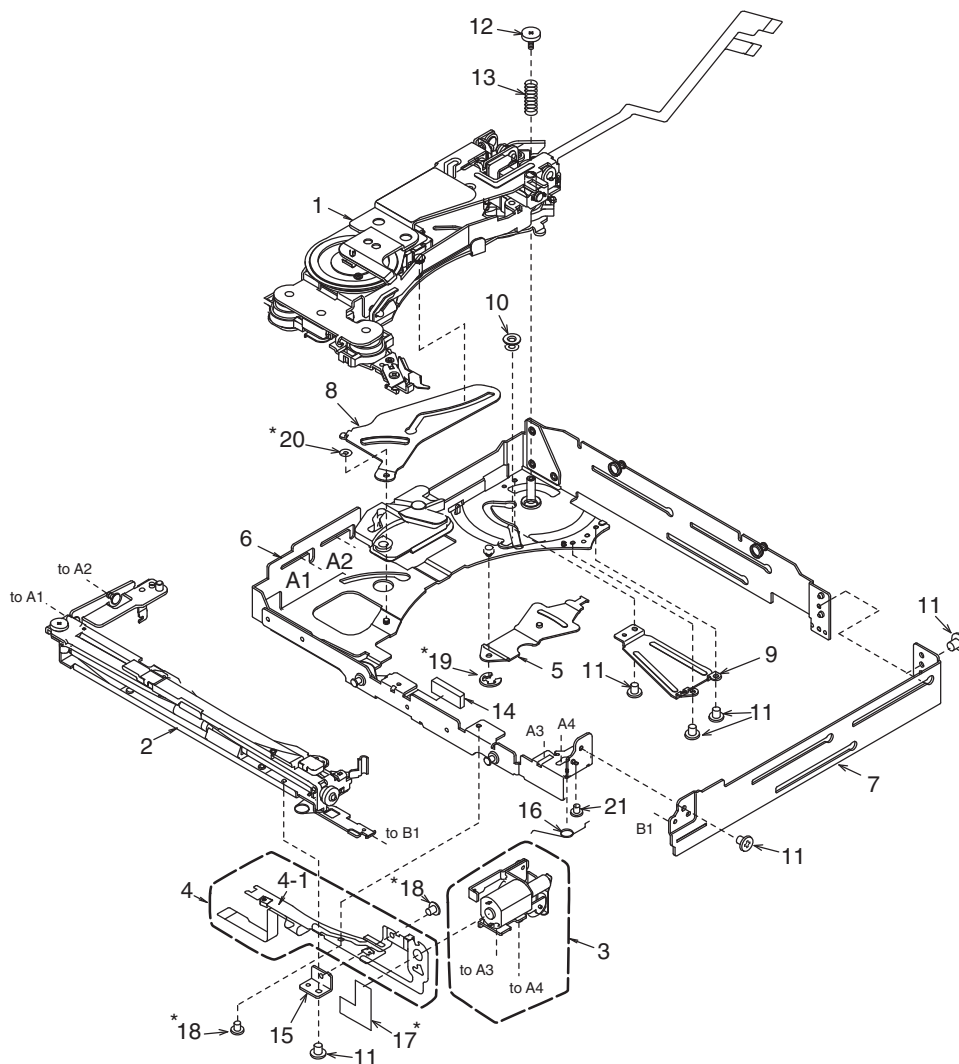
**[Grease Point]**

\* Grease : SANKOL FG-87HSR

	Put grease on the surface	
	Put grease on the reverse side	
	Put grease on the both sides	
	Put grease on the edge	



N-Drive-CH unit section

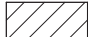
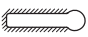

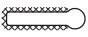

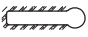




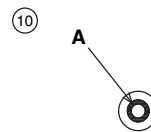
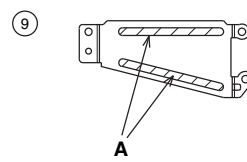
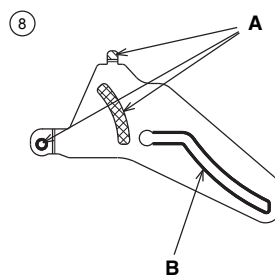
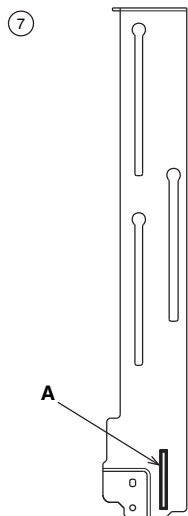
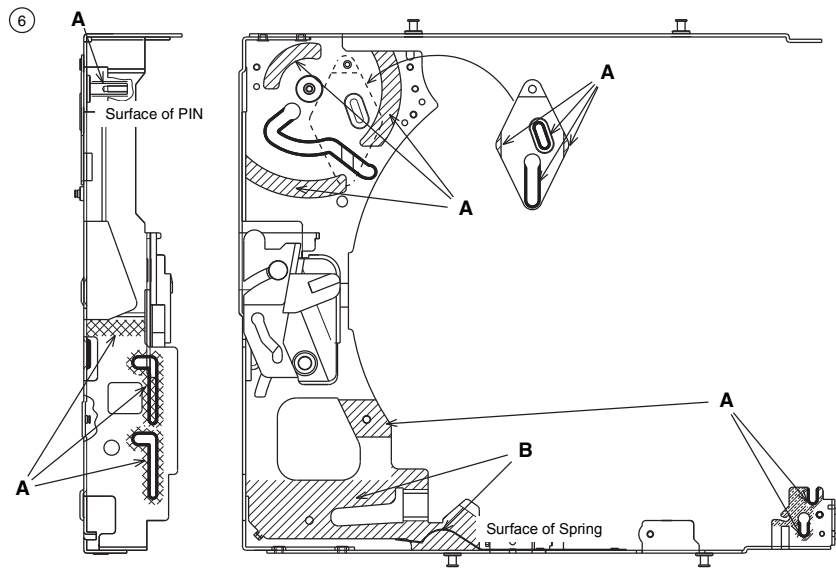
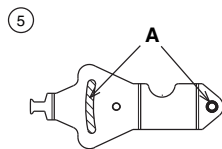
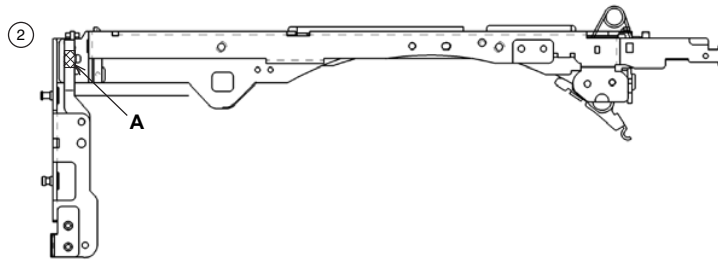
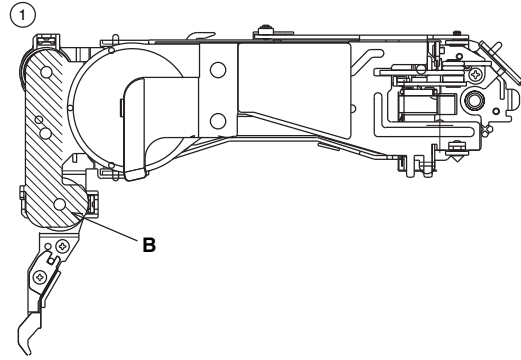
\* Do not reuse the following parts. (No.17,18,19,20)

NO.	PART NO.	DESCRIPTION	Q'TY	NO.	PART NO.	DESCRIPTION	Q'TY
1	HBS-604-100	N-DRIVE UNIT	1	11	716-3450-00	SCREW(M1.7x2.0)	6
2	HBS-567-200	LOADING-U-ASSY	1	12	716-3459-01	SCREW(M1.7x2.0)	1
3	HBS-556-100	LO-MOTOR-S-ASSY	1	13	750-6761-20	DRIVE SPRING A	1
4	HBS-552-200	L-SENSOR-S-ASSY	1	14	345-5868-01	RUBBER PART	1
4-1	-----	SENSOR-L-FPC	1	15	620-1651-21	S-PWB-PLATE	1
5	966-0676-21	D-SHT LK-A-ASSY	1	16	750-6754-20	LO-ES-SPRING B	1
6	966-1755-23	DRIVE-CH A ASSY	1	17	345-5424-01	SEN-FPC GUIDE	1
7	620-1681-21	DRIVE CHASSIS B	1	18	716-1859-01	SCREW(M1.7x2.0)	2
8	620-1672-21	DR-SUPPORT-PL	1	19	744-0039-00	E-RING	1
9	620-1680-20	D-SHIFT COVER	1	20	746-0870-00	WASHER	1
10	622-1743-21	D-SHIFT ROLLER B	1				

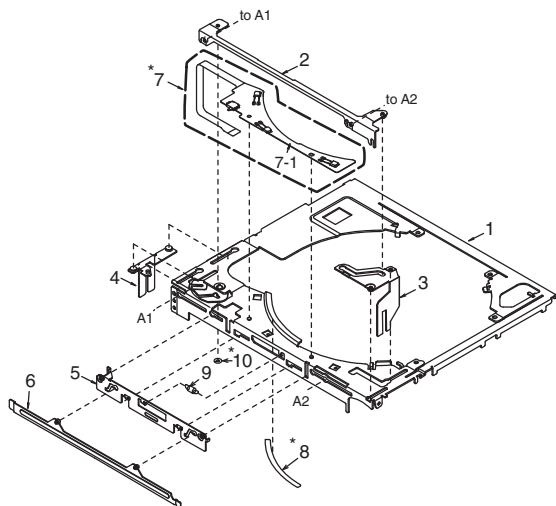
**[Grease Point]**

\* Grease A : SANKOL FG-87HSR  
 \* Grease B : SANKOL CFD-006MBL

	Put grease on the surface	
	Put grease on the reverse side	
	Put grease on the both sides	
	Put grease on the edge	



# Upper unit assy section



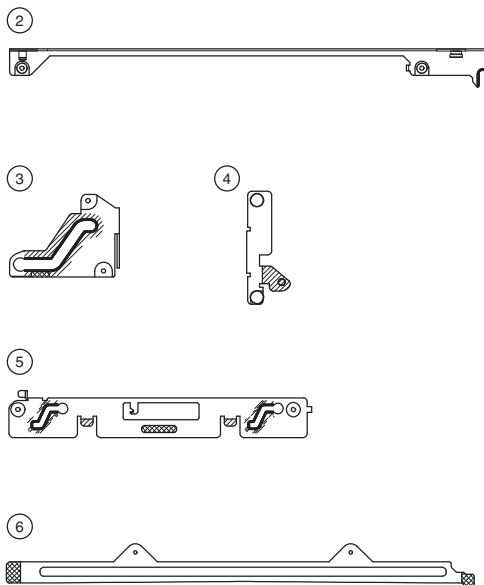
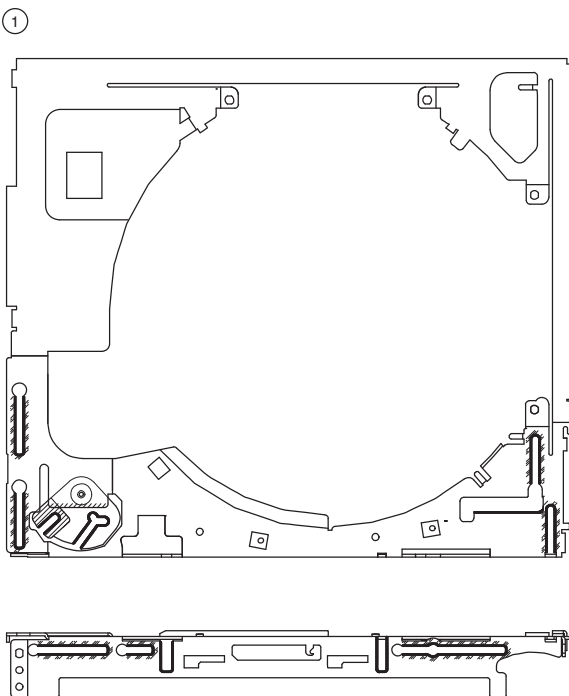
\* Do not reuse the following parts. (No.7,8,10)

NO.	PART NO.	DESCRIPTION	Q'TY
1	966-1761-22	UPPER-CHA-ASSY	1
2	966-1765-20	LO-SHIFT A ASSY	1
3	966-0700-22	LO-SHIFT B ASSY	1
4	966-0701-21	LO-SHIFT ASSY	1
5	966-1766-20	SHUTTER-PL-ASSY	1
6	966-1763-20	SHUTTER ASSY	1
7	HBS-553-200	U-SENSOR-S-ASSY	1
7-1	-----	SENSOR-U-FPC	1
8	347-7272-00	RATTLE SHEET	1
9	750-6755-21	SHUTTER SPRING	1
10	746-0870-00	WASHER	1

## [Grease Point]

\* Grease : SANKOL FG-87HSR

	Put grease on the surface	
	Put grease on the reverse side	
	Put grease on the both sides	
	Put grease on the edge	



# ELECTRICAL PARTS LIST

## CD PWB(BM1) section

REF No.	PART No.	DESCRIPTION	REF No.	PART No.	DESCRIPTION	REF No.	PART No.	DESCRIPTION
C1	168-1052-78	1uF	C75	168-1042-78	16V 0.1uF	R17	119-1041-15	1/10W 100k ohm
C3	168-1042-78	16V 0.1uF	C76	168-5622-55	5600pF K	R18	119-1041-15	1/10W 100k ohm
C4	043-0559-90	6.3V 22uF	C77	168-1032-55	0.01uF K	R19	119-1041-15	1/10W 100k ohm
C5	168-1032-55	0.01uF K	C79	166-1501-50	15pF CH	R20	119-1041-15	1/10W 100k ohm
C6	042-1702-90	6.3V 100uF	C80	166-1501-50	15pF CH	R21	119-2221-15	1/10W 2.2k ohm
C7	168-1052-78	1uF	C101	043-0563-90	16V 47uF	R22	119-4711-15	1/10W 470 ohm
C9	168-1052-78	1uF	CCT1	050-0145-59	1/16W 22 ohm x4	R23	119-1051-15	1/10W 1M ohm
C11	168-1052-78	1uF	CCT2	050-0145-54	1/16W 47k ohm x4	R24	119-2211-15	1/10W 220 ohm
C12	042-0671-01	10V 47uF TA	CCT3	050-0145-54	1/16W 47k ohm x4	R25	119-2211-15	1/10W 220 ohm
C13	168-1052-78	1uF	CCT4	050-0145-55	1/16W 10k ohm x4	R26	119-1041-15	1/10W 100k ohm
C14	168-1042-78	16V 0.1uF	CCT5	050-0140-55	1/32W 2.2k ohmx4J	R27	119-1051-15	1/10W 1M ohm
C15	168-1052-78	1uF	D1	001-4301-14	HZU 3.0B1	R28	119-1041-15	1/10W 100k ohm
C16	043-0559-90	6.3V 22uF	D2	001-0367-91	1SS226	R29	119-1041-15	1/10W 100k ohm
C17	168-1032-55	0.01uF K	D3	001-4301-13	HZU 2.7B2	R30	119-4701-15	1/10W 47 ohm
C18	168-1052-78	1uF	D4	001-4301-18	HZU 3.6B1	R31	119-2201-15	1/10W 22 ohm
C19	043-0559-90	6.3V 22uF	D5	001-2612-90	RB520S-30	R32	119-1051-15	1/10W 1M ohm
C20	168-1042-78	16V 0.1uF	D6	001-2612-90	RB520S-30	R33	119-2211-15	1/10W 220 ohm
C21	168-1032-55	0.01uF K	D7	001-9210-50	AVR-	R35	119-1051-15	1/10W 1M ohm
C23	043-0559-90	6.3V 22uF			M1608C270MTAAD	R36	119-4721-15	1/10W 4.7k ohm
C24	043-0559-90	6.3V 22uF	D8	001-9210-50	AVR-	R37	119-4731-15	1/10W 47k ohm
C25	168-4732-78	0.047uF K			M1608C270MTAAD	R38	119-2231-15	1/10W 22k ohm
C26	166-4711-50	470pF CH	IC2	052-5071-30	TMP91FY22IFG-6R96	R39	119-1041-15	1/10W 100k ohm
C28	168-4732-78	0.047uF K				R40	119-4721-15	1/10W 4.7k ohm
C29	166-4711-50	470pF CH	IC3	051-6733-00	TC94A73MFG-201	R41	119-4731-15	1/10W 47k ohm
C30	166-1007-50	10pF CH	IC4	051-6060-08	BD7961FM-E2	R43	119-4731-15	1/10W 47k ohm
C31	166-1007-50	10pF CH	IC5	051-5445-08	BD5227G-TR	R44	119-2201-15	1/10W 22 ohm
C32	168-1042-78	16V 0.1uF	IC8	051-9402-78	BR93L56RFVM-W	R45	119-1511-15	1/10W 150 ohm
C33	168-2222-55	2200pF K	IC9	051-6072-08	BD7931FE2	R46	119-4721-15	1/10W 4.7k ohm
C34	168-1042-78	16V 0.1uF	IC10	051-5833-00	GP1S093HCZ	R48	119-1041-15	1/10W 100k ohm
C35	168-1042-78	16V 0.1uF	IC11	051-3392-90	S-1323B15NB-N8ATFG	R49	119-0000-05	1/10W 0 ohm JW
C36	168-1042-78	16V 0.1uF				R50	119-2211-15	1/10W 220 ohm
C37	168-6822-55	6800pF K	J1	074-1237-69	19PIN	R51	119-0000-05	1/10W 0 ohm JW
C39	168-1042-78	16V 0.1uF	J2	074-1201-65	15P	R52	119-1041-15	1/10W 100k ohm
C40	168-3332-78	0.033uF K	J3	074-1138-56	6P	R53	119-5621-15	1/10W 5.6k ohm
C41	168-1042-78	16V 0.1uF	J4	074-1100-61	SOCKET 11P	R55	119-3341-15	1/10W 330k ohm
C42	168-1042-78	16V 0.1uF	J5	074-1201-61	11P SOCKET	R56	119-4731-15	1/10W 47k ohm
C43	168-1042-78	16V 0.1uF	Q1	060-0252-01	PT4850F	R57	119-2231-15	1/10W 22k ohm
C45	168-1042-78	16V 0.1uF	Q2	125-0021-91	DTA114EUA	R58	119-0000-05	1/10W 0 ohm JW
C46	168-1042-78	16V 0.1uF	Q3	198-3018-00	2SK3018	R59	119-1511-15	1/10W 150 ohm
C48	168-1042-78	16V 0.1uF	Q4	190-2060-00	2SA2060	R60	119-4731-15	1/10W 47k ohm
C49	168-1042-78	16V 0.1uF	Q8	190-2060-00	2SA2060	R61	119-1041-15	1/10W 100k ohm
C50	168-1042-78	16V 0.1uF	Q9	125-9026-90	IMF29	R62	119-1041-15	1/10W 100k ohm
C51	168-1042-78	16V 0.1uF	Q10	125-2027-91	DTC114EUA	R63	119-1041-15	1/10W 100k ohm
C52	168-5622-55	5600pF K	Q11	125-0021-91	DTA114EUA	R64	119-1011-15	1/10W 100 ohm
C53	168-1042-78	16V 0.1uF	Q12	125-2027-91	DTC114EUA	R65	119-1041-15	1/10W 100k ohm
C54	166-6801-50	68pF CH	Q13	125-9026-90	IMF29	R66	117-5611-15	1/8W 560 ohm
C55	168-1532-55	0.015uF K	R1	119-6811-15	1/10W 680 ohm	R67	117-7511-15	1/8W 750 ohm
C56	168-1042-78	16V 0.1uF	R2	119-6811-15	1/10W 680 ohm	R68	117-7511-15	1/8W 750 ohm
C57	168-1032-55	0.01uF K	R3	032-0163-91	1/2W 10 ohm	R69	119-1041-15	1/10W 100k ohm
C58	168-1042-78	16V 0.1uF	R4	032-0163-91	1/2W 10 ohm	R81	116-1591-15	1/4W 1.5 ohm
C59	168-1042-78	16V 0.1uF	R5	119-2231-15	1/10W 22k ohm	R211	119-1041-15	1/10W 100k ohm
C60	168-1522-55	1500pF K	R6	116-1001-15	1/4W 10 ohm	R212	119-1041-15	1/10W 100k ohm
C61	168-3322-55	3300pF K	R7	119-1021-15	1/10W 1k ohm	S1	013-7416-50	SW SPVL110200
C62	168-1032-55	0.01uF K	R8	116-1591-15	1/4W 1.5 ohm	S2	013-7416-50	SW SPVL110200
C64	168-1042-78	16V 0.1uF	R9	119-2231-15	1/10W 22k ohm	S3	013-7416-50	SW SPVL110200
C65	168-1032-55	0.01uF K	R10	119-4711-15	1/10W 470 ohm	S4	013-7415-50	SPVG110400
C67	168-1032-55	0.01uF K	R11	119-2211-15	1/10W 220 ohm	X1	061-3534-90	16.92MHz
C69	168-1532-55	0.015uF K	R12	119-6811-15	1/10W 680 ohm	X3	060-1545-90	20MHz
C70	166-4701-50	47pF CH	R13	119-1011-15	1/10W 100 ohm	PWB	039-3083-21	PWB(WITHOUT COMPONENTS)
C71	168-1042-78	16V 0.1uF	R14	119-2231-15	1/10W 22k ohm			
C72	168-1042-78	16V 0.1uF	R15	119-8231-15	1/10W 82k ohm			
C74	166-6097-50	6pF CH	R16	119-1041-15	1/10W 100k ohm			

## Sensor-L-PFC(BM2) section

REF No.	PART No.	DESCRIPTION	REF No.	PART No.	DESCRIPTION	REF No.	PART No.	DESCRIPTION
PT1	060-0252-01	PT14850F	PT3	051-5833-00	GP1S093HCZ	PWB	039-2467-21	PWB(WITHOUT COMPONENTS)
PT2	060-0252-01	PT14850F						

## Sensor-U-PFC(BM3) section

REF No.	PART No.	DESCRIPTION	REF No.	PART No.	DESCRIPTION	REF No.	PART No.	DESCRIPTION
LED1	001-7077-00	GL4804	LED3	001-7077-00	GL4804	PWB	039-2466-20	PWB(WITHOUT COMPONENTS)
LED2	001-7077-00	GL4804	S5	013-7417-50	ABC1122P161			