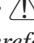
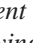
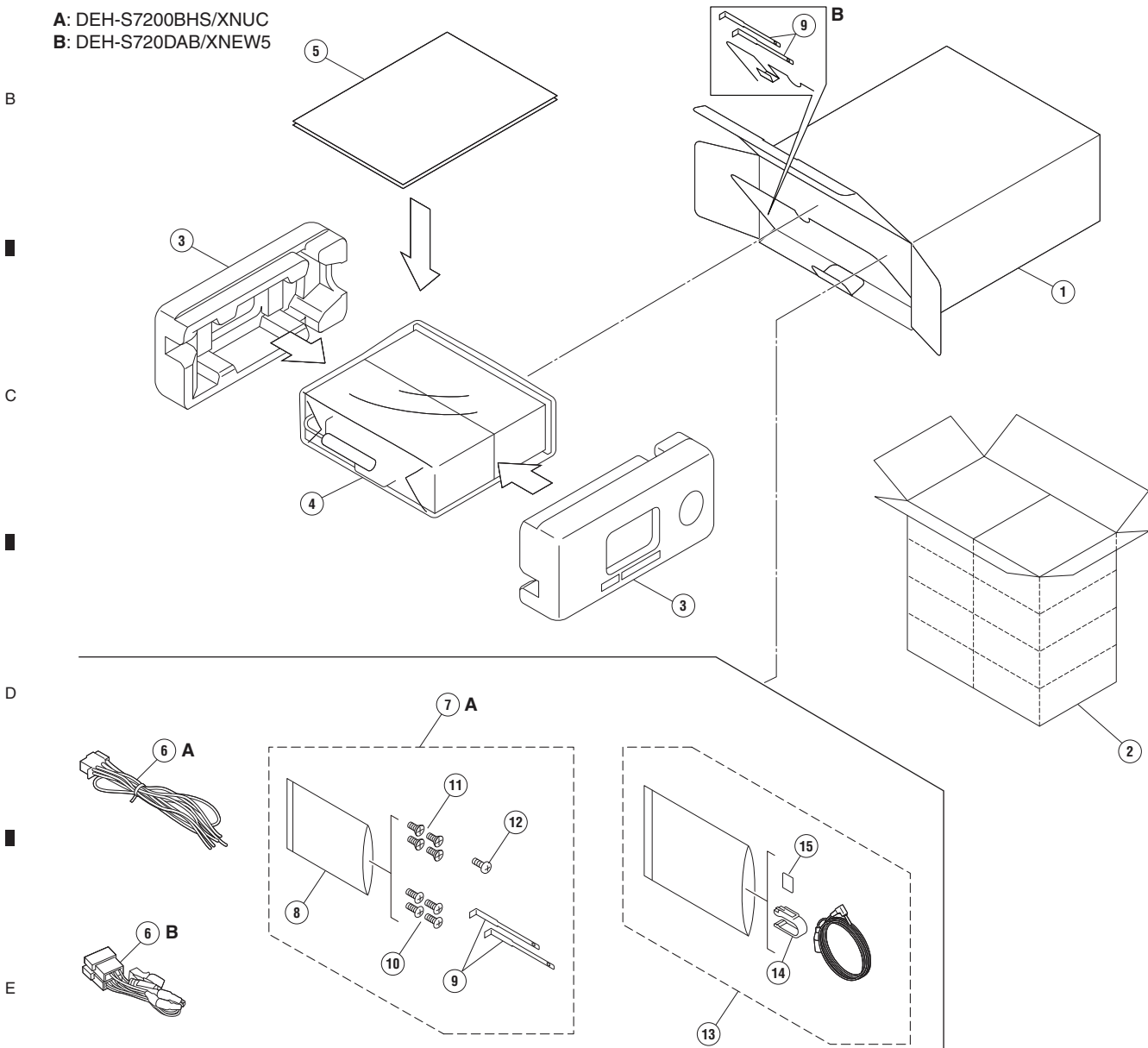


9. EXPLODED VIEWS AND PARTS LIST

- NOTES :**
- Parts marked by " * " are generally unavailable because they are not in our Master Spare Parts List.
 - The  mark found on some component parts indicates the importance of the safety factor of the part. Therefore, when replacing, be sure to use parts of identical designation.
 - Screw adjacent to  mark on the product are used for disassembly.
 - For the applying amount of lubricants or glue, follow the instructions in this manual. (In the case of no amount instructions, apply as you think it appropriate.)

9.1 PACKING SECTION

A: DEH-S7200BHS/XNUC
B: DEH-S720DAB/XNEW5



(1) PACKING SECTION PARTS LIST

<u>Mark No.</u>	<u>Description</u>	<u>Part No.</u>	<u>Mark No.</u>	<u>Description</u>	<u>Part No.</u>
1	Unit Box	See Contrast table (2)	* 8	Polyethylene Bag	See Contrast table (2)
2	Contain Box	See Contrast table (2)	9	Handle	QNC3021
3	Protector	CHP4594	10	Screw	See Contrast table (2)
4	Polyethylene Bag	See Contrast table (2)	11	Screw	See Contrast table (2)
5-1	Quick Start Guide	See Contrast table (2)	12	Screw	See Contrast table (2)
5-2	Quick Start Guide	See Contrast table (2)	13	Microphone Assy	CPM1109
* 5-3	Web IM	See Contents of Web IM (3)	14	Holder	CZN7192
* 5-4	Warranty Card	See Contrast table (2)	15	Cushion	CZN7193
6	Cord Assy	See Contrast table (2)			
7	Accessory Assy	See Contrast table (2)			

(2) CONTRAST TABLE

DEH-S7200BHS/XNUC and DEH-S720DAB/XNEW5 are constructed the same except for the following:

Mark	No.	Description	DEH-S7200BHS/XNUC	DEH-S720DAB/XNEW5
	1	Unit Box	QHG4532	QHG4531
	2	Contain Box	QHL4532	QHL4531
	4	Polyethylene Bag	CEG1173	QEG3001
	5-1	Quick Start Guide	QRD3753	QRD3751
	5-2	Quick Start Guide	Not used	QRD3752
*	5-4	Warranty Card	QRY3001	CRY1376
	6	Cord Assy	CDP1484	QDP3072
	7	Accessory Assy	QEA3337	Not used
*	8	Polyethylene Bag	CEG1160	Not used
	10	Screw	CBA2384	Not used
	11	Screw	CBA2383	Not used
	12	Screw	BPZ20P060FTC	Not used

Quick Start Guide

Part No.	Language
QRD3753	English, French, Spanish(Espanol)
QRD3751	English, French, Italian
QRD3752	Spanish(Espanol), German, Dutch

(3) CONTENTS OF WEB IM

Part No.	Language
*OPM_DEHS7200BHSUC_3L_A(for XNUC)	English, French, Spanish(Espanol)
*OPM_DEHS720DABEW5_6L_A(for XNEW5)	English, French, Italian, Spanish(Espanol), German, Dutch

All operation manuals are supplied in PDF files by the WEB. No printed papers are available.

9.2 EXTERIOR SECTION

1

2

3

4

A

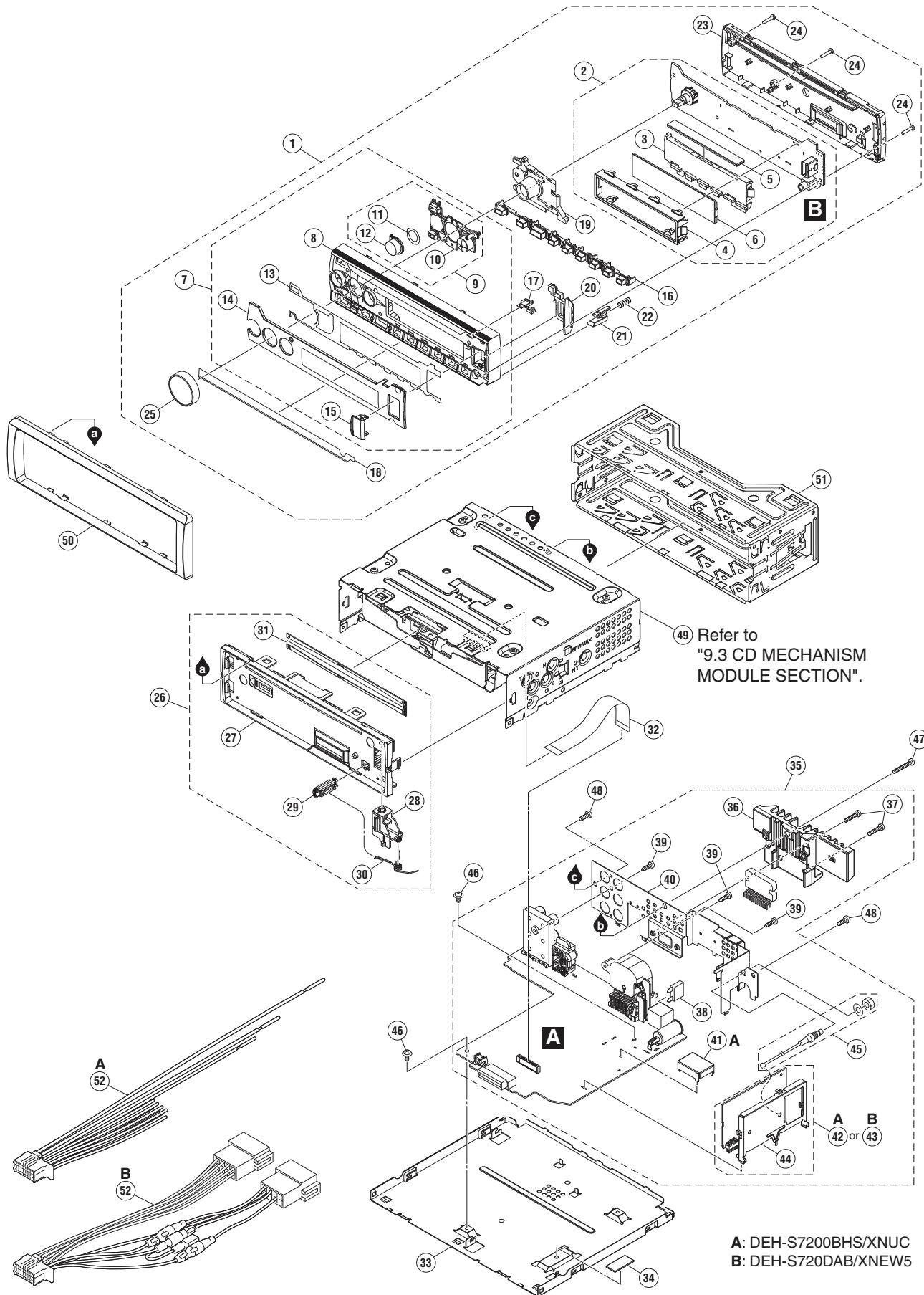
B

C

D

E

F



49 Refer to "9.3 CD MECHANISM MODULE SECTION".

A: DEH-S7200BHS/XNUC
B: DEH-S720DAB/XNEW5

1

2

3

4

(1) EXTERIOR SECTION PARTS LIST

<u>Mark No.</u>	<u>Description</u>	<u>Part No.</u>	<u>Mark No.</u>	<u>Description</u>	<u>Part No.</u>
1	Detach Grille Assy	See Contrast table (2)	26	Panel Assy	QXA4716
2	Keyboard Unit	See Contrast table (2)	27	Panel	QNS4071
3	Lighting Conductor	QNV3151	28	Arm	QNV3025
4	Holder	QNC3131	29	Button	QNV3026
5	Rubber Connector	QNV3129	30	Spring	QBH3001
6	Segment LCD (V1801)	CAW2065	31	Cover	QNM3029
7	Grille Unit	See Contrast table (2)	32	FFC	QDE3029
*	8 Grille	QNS4242	33	Case	QNB3057
*	9 Button Unit	See Contrast table (2)	34	Heat Cond Sheet	QNM3223
*	10 Button(SRC,BACK,LIST,DISP)	QAC3302	35	Tuner Amp Unit	See Contrast table (2)
*	11 DS Tape	QNM3228	36	Heat Sink	QNR3010
*	12 Button	See Contrast table (2)	37	Screw	BSZ26P120FTC
*	13 DS Tape	QNM3227	⚠ 38	Fuse (10 A)	CEK1415
*	14 Plate	QNS4244	39	Screw	BPZ26P080FTC
	15 Door	QAT3034	40	Holder	See Contrast table (2)
	16 Button(TRACK,PHONE,1-6)	QAC3296	41	Shield Case	See Contrast table (2)
	17 Button(EJECT)	QAC3304	42	BE Core Unit (U801)	See Contrast table (2)
	18 Plate	QNM3283	43	WWR Unit (U801)	See Contrast table (2)
	19 Lighting Conductor	QNV3150	44	Holder	CND7288
	20 Lighting Conductor	QNV3152	45	Antenna Cable Assy	See Contrast table (2)
	21 Button(DETACH)	QAC3305	46	Screw	ASZ26P050FTC
	22 Spring	CBH2210	47	Screw	BSZ26P120FTC
	23 Cover	QNS4246	48	Screw	BSZ26P060FTC
	24 Screw	BPZ20P100FTC	49	CD Mechanism Module(11.6VA_T07)	CXK5808
	25 Knob Unit	See Contrast table (2)		CD Mechanism Module(S11.6_T07)	CXK5807
			50	Panel	QNS4330
			51	Holder	QNC3020
			52	Cord Assy	See Contrast table (2)

Notes: For No.49, please refer to "1.4 NOTES ON REPLACING PARTS" for part distinguish.

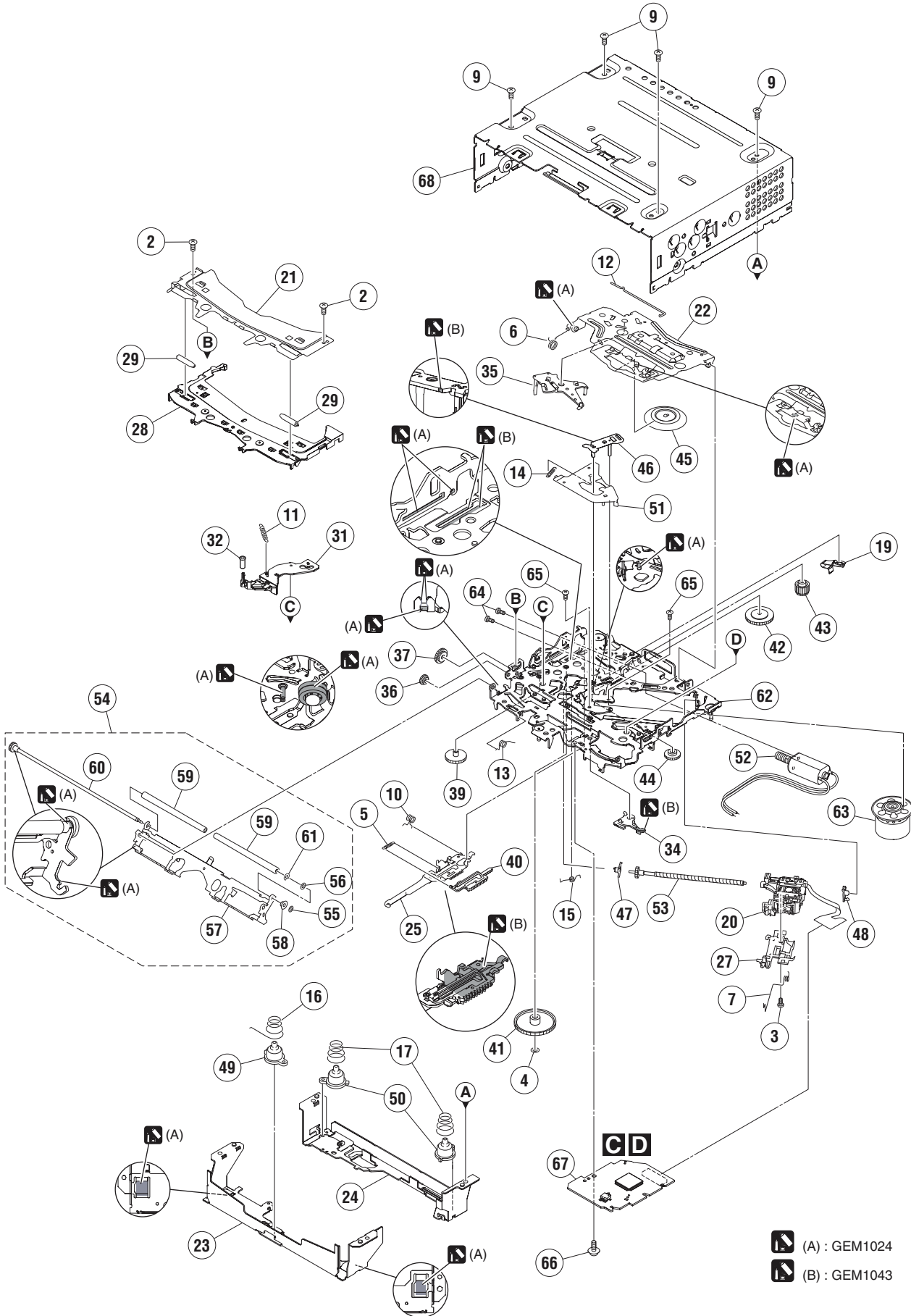
(2) CONTRAST TABLE

DEH-S7200BHS/XNUC and DEH-S720DAB/XNEW5 are constructed the same except for the following:

Mark	No.	Description	DEH-S7200BHS/XNUC	DEH-S720DAB/XNEW5
	1	Detach Grille Assy	QXA6187	QXA6167
	2	Keyboard Unit	QWM5096	QWM5097
	7	Grille Unit	QXA6300	QXA6307
*	9	Button Unit	QXA5426	QXA6372
*	12	Button	QAC3297(BASS)	QAC3300(DAB)
	25	Knob Unit	QXA6324	QXA5439
	35	Tuner Amp Unit	QWM5382	QWM5280
	40	Holder	QNC3112	QNC3115
	41	Shield Case	QNC3107	Not used
	42	BE Core Unit (U801)	CWE2518	Not used
	43	WWR Unit (U1801)	Not used	CWE2571
	45	Antenna Cable Assy	Not used	QXA4122
	52	Cord Assy	CDP1484	QDP3072

9.3 CD MECHANISM MODULE

A
B
C
D
E
F



(A) : GEM1024
(B) : GEM1043

CD MECHANISM MODULE SECTION PARTS LIST

<u>Mark No.</u>	<u>Description</u>	<u>Part No.</u>	<u>Mark No.</u>	<u>Description</u>	<u>Part No.</u>
1	•••••		36	Gear	CNW1180
2	Screw	BSZ20P040FTC	37	Gear	CNW1181
3	Screw(M2 x 4)	CBA1835	38	•••••	
4	Washer	CBF1038	39	Gear	CNW1183
5	Spring	CBH3010	40	Rack	CNW1184
6	Spring	CBH2855	41	Gear	CNW1185
7	Spring	CBH2856	42	Gear	CNW1186
8	•••••		43	Gear	CNW1187
9	Screw	BSZ26P060FTC	44	Gear	CNW2287
10	Spring	CBH3011	45	Clamper	CNW1190
11	Coil Spring	CBH3095	46	Arm	CNW1192
12	Spring	CBH3014	47	Holder	CNW1193
13	Spring	CBH3145	48	Holder	CNW1194
14	Spring	CBH3016	49	Damper	CNW1197
15	Spring	CBH3017	50	Damper	CNW1198
16	Spring	CBH3086	51	Arm	CNW1726
17	Spring	CBH3019	52	Motor Unit(M2)(LOAD/CRG)	CXC4026
18	•••••		53	Screw Unit	CXC8894
19	Leaf Spring	CBL1824	54	Arm Assy	CXE8953
20	Pickup Unit(P11)(Service) for CXK5808 CXX4754 Pickup Unit(P10.6)(Service) for CXK5807 CXX3556		55	Washer	CBF1037
21	Bracket	CND4553	56	Washer	CBF1038
22	Arm	CND7608	57	Arm	CND6242
23	Bracket	CND6127	58	Collar	CNW2444
24	Bracket	CND5710	59	Roller	CNW2500
25	Lever	CND6834	60	Gear Unit	CXE8952
26	•••••		61	Washer	YE15FTC
27	Rack	CNV8342	62	Chassis Unit	CXE9531
28	Guide	CNW3489	63	Motor Unit(M1)(SPDL)	CXE2273
29	Roller	CNW1172	64	Screw	JFZ20P025FTC
30	•••••		65	Screw	JGZ17P022FTC
31	Arm	CNW2241	66	Screw	EBA1028
32	Roller	CNW1175	67	CD Core Unit (S11.6VA)(for CXK5808) CWX4269 CD Core Unit (S11.6STD)(for CXK5807) CWX4023	
33	•••••		68	Chassis	CNA3373
34	Arm	CNW1177			
35	Arm	CNW1178			

Notes: For No.20 and 67, please refer to "1.4 NOTES ON REPLACING PARTS" for part distinguish.

12. ELECTRICAL PARTS LIST

NOTE:

- Parts whose parts numbers are omitted are subject to being not supplied.
- The part numbers shown below indicate chip components.

Chip Resistor

RS1/○S○○○○J, RS1/○○S○○○○J

Chip Capacitor (except for CQS.....)

CKS....., CCS....., CSZS.....

- Parts marked by " * " are generally unavailable because they are not in our Master Spare Parts List.
- The \triangle mark found on some component parts indicates the importance of the safety factor of the part. Therefore, when replacing, be sure to use parts of identical designation.
- The expression of the unit in this manual is shown by u instead of μ . Please do not make a mistake.

Circuit Symbol and No. **Part No.**
A:DEH-S7200BHS/XNUC
B:DEH-S720DAB/XNEW5

Unit Number: QWM5382(A)
Unit Name : Tuner Amp Unit
Unit Number: QWM5280(B)
Unit Name : Tuner Amp Unit
Unit Number: QWM5096(A)
Unit Number: QWM5097(B)
Unit Name : Keyboard Unit
Unit Number: CWX4269
Unit Name : CD Core Unit(S11.6VA)
Unit Number: CWX4023
Unit Name : CD Core Unit(S11.6STD)

Notes:

For CD Core Unit, please refer to "1.4 NOTES ON REPLACING PARTS" for part distinguish.

A

Unit Number: QWM5382(A)
Unit Name : Tuner Amp Unit

MISCELLANEOUS

IC 201	Power supply IC	BD49101ARFS
IC 461	DC/DC Converter IC	NJW4132U2-A
IC 490	Regulator IC	MM3571A33P
IC 495	Regulator IC	MM3479A12P
IC 501	Microprocessor IC	STA1080
IC 502	Reset IC	PST8227N
IC 503	Logic IC	TC7SET08FUS3
IC 504	Buffer Logic IC	TC7SH126FUS1
IC 701	IC	343S00177
IC 711	RAM IC	W9812G6KH-5
IC 731	ROM IC	M95512-RMN6P
IC 741	Flash ROM Unit	QVQ1099
IC 742	Flash Memory IC	W25Q16JVSSIQ
IC 761	E-VOL System LSI	BD37068FV
IC 851	Tuner IC	TEF6688AHN
IC 1301	Power Amp IC	PAL014A

Circuit Symbol and No.		Part No.
IC 1302	Logic IC	TC7SH32FUS2
Q 111	Resistor Built-in Transistor	LTC014TEB
Q 121	Resistor Built-in Transistor	LTC014EEB
Q 141	Resistor Built-in Transistor	LTC014TEB
Q 142	Resistor Built-in Transistor	LTC014TEB
Q 201	Resistor Built-in Transistor	LTC014TEB
Q 202	FET	SSM3J332R
Q 203	Power MOS FET	RRR040P03
Q 204	Resistor Built-in Transistor	LTC014TEB
Q 205	FET	SSM3J332R
Q 441	Transistor	2SAR502UB
Q 442	Resistor Built-in Transistor	LTC023YEB
Q 701	Resistor Built-in Transistor	LTA023YEB
Q 931	Bipolar Transistor	MMBT2369L
Q 932	Bipolar Transistor	MMBT2369L
Q 933	Bipolar Transistor	MMBT2369L
Q 934	Bipolar Transistor	MMBT2369L
Q 1101	Resistor Built-in Transistor	LTC014EEB
Q 1241	Transistor	IMH23
Q 1242	Transistor	IMH23
Q 1243	Transistor	IMH23
Q 1301	Transistor	EMD52
Q 1302	Resistor Built-in Transistor	LTA023YEB
D 101	Diode	D1F60-5053
D 102	Diode	D1F60-5053
D 111	Zener Diode	UDZV6R8(B)
D 121	Switching Diode	1SS355VM
D 141	Zener Diode	UDZV7R5(B)
D 201	Schottky Diode	RB162MM-40TF
D 202	Rectifier Diode	RR1VWM4STF
D 203	Schottky Diode	RB080LAM-30TF
D 204	Rectifier Diode	RR1VWM4STF
D 206	Schottky Diode	CMS30I30A
D 207	Schottky Diode	RB751SM-40
D 208	Schottky Diode	RB751SM-40
D 210	Schottky Diode	RB162MM-40TF
D 461	Schottky Diode	RB551VM-30
D 491	Rectifier Diode	RR1VWM4STF
D 492	Rectifier Diode	RR1VWM4STF
D 493	Rectifier Diode	RR1VWM4STF
D 495	Rectifier Diode	RR1VWM4STF
D 496	Rectifier Diode	RR1VWM4STF
D 497	Rectifier Diode	RR1VWM4STF

<u>Circuit Symbol and No.</u>	<u>Part No.</u>	<u>Circuit Symbol and No.</u>	<u>Part No.</u>
R 224	XRS1/16SS6802D	R 533	XRS1/10SR103J
R 225	XRS1/16SS102J	R 534	XRS1/10SR103J
		R 536	XRS1/16SS472J
R 226	XRS1/16SS1203D		
R 227	XRS1/16SS1802D	R 538	XRS1/16SS472J
R 229	XRS1/16SS393J	R 540	XRS1/16SS103J
R 230	XRS1/16SS682J	R 541	XRS1/16SS103J
R 231	XRS1/16SS4703D	R 544	XRS1/16SS102J
		R 545	XRS1/16SS473J
R 232	XRS1/16SS1503D		
R 233	XRS1/16SS1003D	R 546	XRS1/16SS273J
R 234	XRS1/16SS7503D	R 547	XRS1/16SS473J
R 235	XRS1/16SS1603D	R 548	XRS1/16SS102J
R 236	XRS1/16SS103J	R 550	XRS1/16SS103J
		R 551	XRS1/16SS103J
R 238	XRS1/16SS822J		
R 239	XRS1/16SS101J	R 552	XRS1/16SS102J
R 240	XRS1/16SS101J	R 554	XRS1/16SS222J
R 241	XRS1/16SS680J	R 555	XRS1/16SS135J
R 242	XRS1/16SS4701F	R 556	XRS1/16SS101J
		R 557	XRS1/16SS101J
R 243	XRS1/16SS393J		
R 244	XRS1/16SS103J	R 558	XRS1/16SS222J
R 248	XRS1/16SS473J	R 559	XRS1/16SS222J
R 250	XRS1/10SR471J	R 560	XRS1/16SS473J
R 263	XRS1/10SR103J	R 561	XRS1/16SS103J
		R 562	XRS1/16SS472J
R 269	XRS1/16SS101J		
R 301	XRS1/10SR0R0J	R 563	XRS1/16SS472J
R 441	XRS1/16SS103J	R 564	XRS1/16SS472J
R 442	XRS1/10SR221J	R 566	RAB4CQ103J
R 445	RS1/16SS0R0J	R 567	XRS1/16SS472J
		R 568	XRS1/16SS0R0J
R 461	XRS1/10SR0R0J		
R 463	XRS1/16SS2202D	R 570	XRS1/16SS221J
R 464	XRS1/16SS4701D	R 571	XRS1/16SS221J
R 465	XRS1/16SS4303D	R 572	XRS1/16SS472J
R 466	XRS1/10SR102J	R 573	XRS1/16SS473J
		R 574	XRS1/16SS473J
R 472	XRS1/16SS0R0J		
R 480	XRS1/10SR0R0J	R 575	XRS1/16SS473J
R 485	XRS1/16SS473J	R 577	XRS1/16SS182J
R 490	XRS1/16SS102J	R 578	XRS1/16SS473J
R 501	XRS1/16SS222J	R 579	XRS1/16SS473J
		R 580	XRS1/16SS473J
R 503	XRS1/16SS3R3J		
R 504	XRS1/16SS3R3J	R 584	XRS1/16SS102J
R 505	XRS1/16SS221J	R 586	XRS1/16SS103J
R 506	XRS1/16SS473J	R 587	XRS1/16SS102J
R 507	XRS1/16SS473J	R 588	XRS1/16SS221J
		R 590	XRS1/16SS221J
R 508	XRS1/16SS473J		
R 509	XRS1/16SS473J	R 591	XRS1/16SS221J
R 510	XRS1/16SS473J	R 597	XRS1/16SS102J
R 511	XRS1/16SS473J	R 598	XRS1/16SS102J
R 512	XRS1/16SS102J	R 599	XRS1/16SS102J
		R 603	XRS1/16SS101J
R 513	XRS1/16SS222J		
R 515	XRS1/16SS103J	R 604	XRS1/16SS101J
R 517	XRS1/16SS103J	R 605	XRS1/16SS101J
R 519	XRS1/16SS151J	R 607	XRS1/16SS101J
R 520	XRS1/16SS472J	R 611	XRS1/16SS472J
		R 614	XRS1/16SS473J
R 521	XRS1/16SS473J		
R 522	XRS1/16SS0R0J	R 615	XRS1/16SS103J
R 524	XRS1/16SS3001D	R 617	XRS1/16SS473J
R 525	XRS1/16SS103J	R 627	XRS1/16SS153J
R 526	XRS1/16SS1213F	R 628	XRS1/16SS153J
		R 629	XRS1/16SS472J
R 531	XRS1/16SS222J		
R 532	XRS1/16SS222J	R 630	XRS1/16SS101J

	<u>Circuit Symbol and No.</u>	<u>Part No.</u>		<u>Circuit Symbol and No.</u>	<u>Part No.</u>
	R 632	XRS1/16SS101J		R 734	XRS1/16SS103J
	R 633	XRS1/16SS101J		R 735	XRS1/16SS103J
A	R 634	XRS1/16SS101J		R 736	XRS1/16SS330J
	R 635	XRS1/16SS101J		R 737	XRS1/16SS330J
				R 741	XRS1/16SS820J
	R 636	XRS1/16SS101J			
	R 637	XRS1/16SS221J		R 742	XRS1/16SS103J
	R 638	XRS1/16SS221J		R 743	XRS1/16SS103J
	R 639	XRS1/16SS101J		R 744	XRS1/16SS820J
	R 640	XRS1/16SS101J		R 745	XRS1/16SS820J
				R 746	XRS1/16SS103J
	R 642	XRS1/16SS221J			
	R 643	XRS1/16SS101J		R 747	XRS1/16SS330J
	R 645	XRS1/16SS101J		R 748	XRS1/16SS820J
	R 646	XRS1/16SS101J		R 749	XRS1/16SS330J
B	R 647	XRS1/16SS102J		R 750	XRS1/16SS103J
				R 751	XRS1/16SS103J
	R 648	XRS1/16SS102J			
	R 650	XRS1/16SS101J		R 753	XRS1/16SS103J
	R 651	XRS1/16SS102J		R 754	XRS1/16SS820J
	R 652	XRS1/16SS101J		R 759	XRS1/16SS820J
	R 653	XRS1/16SS0R0J		R 761	XRS1/10SR221J
				R 762	XRS1/16SS0R0J
	R 657	XRS1/16SS101J			
	R 658	XRS1/16SS101J		R 763	XRS1/16SS101J
	R 659	XRS1/16SS101J		R 764	XRS1/16SS101J
	R 660	XRS1/16SS101J		R 765	XRS1/16SS222J
	R 661	XRS1/16SS101J		R 767	XRS1/16SS104J
C				R 768	XRS1/16SS181J
	R 663	XRS1/16SS101J			
	R 664	XRS1/16SS101J		R 769	XRS1/10SR0R0J
	R 672	XRS1/16SS101J		R 851	XRS1/16SS105J
	R 674	XRS1/16SS472J		R 852	XRS1/16SS105J
	R 681	XRS1/16SS473J		R 853	XRS1/16SS391J
				R 863	XRS1/16SS103J
	R 690	XRS1/16SS472J			
	R 695	XRS1/16SS101J		R 868	XRS1/16SS103J
	R 697	XRS1/16SS102J		R 870	XRS1/16SS101J
	R 698	XRS1/10SR0R0J		R 873	XRS1/16SS182J
	R 701	XRS1/16SS103J		R 874	XRS1/16SS101J
				R 875	XRS1/16SS472J
D	R 702	XRS1/16SS152J			
	R 703	XRS1/16SS101J		R 890	XRS1/16SS0R0J
	R 704	XRS1/16SS101J		R 930	XRS1/16SS0R0J
	R 705	XRS1/16SS222J		R 931	XRS1/16SS0R0J
	R 706	XRS1/16SS222J		R 932	XRS1/16SS0R0J
				R 933	XRS1/16SS0R0J
	R 709	XRS1/16SS473J			
	R 710	XRS1/16SS0R0J		R 934	XRS1/16SS332J
	R 712	RS1/16SS0R0J		R 935	XRS1/16SS182J
	R 714	RAB4CQ121J		R 936	XRS1/16SS121J
	R 715	RAB4CQ121J		R 937	XRS1/16SS102J
				R 938	XRS1/16SS332J
	R 716	RAB4CQ121J			
E	R 717	RAB4CQ121J		R 939	XRS1/16SS182J
	R 718	RAB4CQ121J		R 940	XRS1/16SS121J
	R 719	RAB4CQ121J		R 941	XRS1/16SS102J
	R 720	RAB4CQ121J		R 945	XRS1/16SS121J
				R 946	XRS1/16SS121J
	R 721	RAB4CQ121J			
	R 722	RAB4CQ121J		R 947	XRS1/16SS121J
	R 723	XRS1/10SR0R0J		R 948	XRS1/16SS121J
	R 724	XRS1/16SS121J		R 1001	XRS1/16SS0R0J
	R 726	RS1/10SR0R0J		R 1002	XRS1/16SS221J
				R 1004	XRS1/16SS473J
	R 727	RS1/10SR0R0J			
	R 728	RS1/10SR0R0J		R 1005	XRS1/16SS221J
F	R 731	XRS1/16SS330J		R 1006	XRS1/16SS0R0J
	R 732	XRS1/16SS330J		R 1007	XRS1/16SS0R0J
	R 733	XRS1/16SS103J		R 1011	XRS1/16SS221J
				R 1012	XRS1/16SS221J

Circuit Symbol and No.Part No.Circuit Symbol and No.Part No.

C 220 10 uF/35 V
C 221 10 uF/35 V

CCG1236
CCG1236

C 512
C 513
C 514

CKSTYX104K10
CKSRYSX475K16
CKSTYX104K10

A

C 222
C 223
C 224
C 225
C 227

CEVW221M16
CCSSCH221J50
CKSSYX105K16
CKSSYX105K16
CCSSCH221J50

C 515
C 516
C 517
C 518
C 519

CKSSYX105K10
CKSRYSX225K16
CKSTYX104K10
CCSTCH100D50
CCSTCH100D50

C 228
C 230
C 231
C 232
C 234

CKSTYX102K50
CKSRAYX106M10
CKSTYX104K10
CEHVW101M6R3
CKSRYSX475K16

C 520
C 521
C 522
C 523
C 524

CKSRAYX106M16
CKSTYX104K10
CKSRAYX106M16
CKSRYSX475K16
CKSRYSX475K16

B

C 236 10 uF/35 V
C 237
C 238
C 239
C 240

CCG1236
CKSSYB104K16
CKSQYX226M16
CCSTCH100D50
CCSTCH100D50

C 525
C 526
C 527
C 528
C 529

CKSRYSX106M6R3
CKSTYX103K16
CKSRYSX106M6R3
CKSTYX103K16
CKSTYX104K10

C 241
C 242
C 243 10 uF/35 V
C 244
C 245 10 uF/35 V

CKSRAYX106M10
CKSSYB104K16
CCG1236
CKSSYB102K50
CCG1236

C 530
C 531
C 532
C 533
C 534

CKSRAYX106M16
CKSSYX105K10
CKSSYX105K10
CKSRYSX475K16
CKSTYX104K10

C

C 246
C 247
C 248
C 249
C 250

CKSRYSX475K16
CKSSYX105K10
CKSRYSX105K50
CCSTCH820J50
CKSSBYX225M16

C 535
C 536
C 537
C 538
C 539

CEVW221M10
CCSSCH101J50
CKSTYX103K16
CKSRYSX106M6R3
CKSTYX103K16

C 251
C 252
C 253
C 255
C 257 10 uF/35 V

CKSSYX105K10
CKSRYSX475K16
CKSRYSX105K50
CKSSYX105K6R3
CCG1236

C 540
C 541
C 542
C 543
C 544

CKSRYSX106M6R3
CKSTYX222K25
CKSTYX104K10
CKSSYX105K10
CKSTYX473K10

D

C 259
C 260
C 261
C 267
C 270

CKSRAYX106M10
CKSRAYX106M10
CKSTYX104K10
CKSSYB104K16
CKSRYSX475K16

C 545
C 546
C 551
C 552
C 553

CCSTCH100D50
CCSTCH120J50
CKSTYX104K10
CKSRYSX475K16
CKSRYSX106M6R3

C 441
C 442
C 443
C 444
C 461 10 uF/35 V

CCSSCH101J50
CKSRYSX106M6R3
CCSSCH101J50
CKSRYSX106M6R3
CCG1236

C 555
C 556
C 557
C 558
C 559

CKSTYX103K16
CKSTYX104K10
CKSTYX104K10
CKSTYX104K10
CKSQYB224K50

C 462 10 uF/35 V
C 463
C 464
C 490
C 493

CCG1236
CKSRAYX106M16
CKSSYB221K50
CKSSAYX474K16
CKSSAYX474K16

C 560
C 565
C 566
C 575
C 576

CKSTYX103K16
CCSTCH270J50
CCSTCH330J50
CKSTYX104K10
CKSTYX102K50

E

C 495
C 496
C 497
C 502
C 503

CKSSYX105K16
CKSSYB104K10
CKSSYX105K16
CKSTYX104K10
CKSRYSX475K16

C 580
C 588
C 590
C 591
C 592

CKSTYX104K10
CKSTYX104K10
CKSSYB472K25
CKSSYB472K25
CKSSYB472K25

F

C 505
C 506
C 507
C 508
C 509

CKSTYX104K10
CKSRYSX475K16
CKSRYSX475K16
CKSTYX104K10
CKSRYSX475K16

C 593
C 595
C 695
C 702
C 712

CKSSYB472K25
CKSSYB472K25
CKSSYB102K50
CKSTYX104K10
CKSSYX105K10

C 510
C 511

CKSTYX104K10
CKSRYSX475K16

C 713

CKSTYX104K10

<u>Circuit Symbol and No.</u>	<u>Part No.</u>	<u>Circuit Symbol and No.</u>	<u>Part No.</u>
C 714	CKSSYX105K10	C 942	CKSSYX105K16
C 715	CKSSYX105K10	C 945	CCSSCH101J50
C 716	CKSSYX105K10	C 946	CCSTCH561J25
C 717	CKSRyx475K16	C 947	CKSSYB102K50
		C 949	CKSSYB102K50
C 718	CKSSYX105K10		
C 719	CKSTYX104K10	C 950	CCSTCH560J50
C 721	CKSSYX105K16	C 1003	CKSTYX104K10
C 722	CKSTYX104K10	C 1004	CKSTYX104K10
C 723	CKSTYX102K50	C 1101	CKSTYX103K16
		C 1105	CKSSYX105K10
C 729	CKSRAYX106M10		
C 731	CKSTYX104K10	C 1106	CKSSYX105K10
C 741	CKSSBYX225M16	C 1109	CKSTYX102K50
C 742	CKSTYX104K10	C 1201	CKSRyB104K25
C 743	CKSTYX104K10	C 1203	CKSRyX104K50
		C 1204	CKSRyX105K16
C 761	CKSRyX105K16		
C 762	CKSRyX105K16	C 1206	CKSTYX102K50
C 763	CKSRyX105K16	C 1210	CKSRyX105K16
C 764	CKSRyX105K16	C 1212	CCSSCH470J50
C 765	CKSRyX105K16	C 1217	CCSSCH121J50
		C 1221	CCG1236
C 766	CKSRyX105K16		
C 769	CKSRyX105K16	C 1231	CKSSYB104K16
C 770	CKSRyX105K16	C 1232	CKSRyX104K50
C 771	CKSRyX105K16	C 1241	CKSQYX106K25
C 772	CKSRyX105K16	C 1242	CKSQYX106K25
		C 1243	CKSQYX106K25
C 773	CKSRyX105K16		
C 774	CCSTCH151J50	C 1244	CKSQYX106K25
C 775	CCSTCH151J50	C 1245	CKSQYX106K25
C 776	CKSSYX104K50	C 1246	CKSQYX106K25
C 777	CCG1236	C 1247	CKSTYX103K16
		C 1248	CKSTYX103K16
C 779	CKSRAYX106M16		
C 780	CKSTYX104K25	C 1249	CKSTYX103K16
C 781	CKSRyX105K16	C 1250	CKSTYX103K16
C 782	CKSRyX105K16	C 1251	CKSTYX103K16
C 783	CKSRyX105K16	C 1252	CKSTYX103K16
		C 1253	CKSTYX103K16
C 784	CKSRyX105K16		
C 785	CKSRyX105K16	C 1254	CKSTYX104K10
C 787	CKSQYX106K16	C 1255	CKSTYX471K50
C 788	CKSQYX106K16	C 1256	CKSSYB103K16
C 790	CKSRyX106M6R3	C 1258	CCSTCH101J50
		C 1276	CKSSYB104K16
C 791	CKSTYX103K16		
C 801	CKSSYX224K10	C 1277	CKSSYB104K16
C 853	CCSTCH120J50	C 1278	CKSSYB104K16
C 854	CKSTYX471K50	C 1279	CKSSYB104K16
C 858	CCSTCH5R0C50	C 1280	CKSTYX102K50
		C 1281	CKSTYX102K50
C 859	CCSTCH120J50		
C 865	CKSSBYX225M16	C 1301	CKSQYB474K25
C 866	CKSSYB224K6R3	C 1302	CKSQYB474K25
C 867	CKSTYX102K50	C 1303	CKSQYB474K25
C 870	CKSTYX102K50	C 1304	CKSQYB474K25
		C 1305	CKSTYX104K10
C 871	CKSSYB102K50		
C 872	CKSTYX104K10	C 1306	CKSRyB474K10
C 874	CCSTCH180J50	C 1308	CKSRyX104K50
C 878	CKSTYX152K50	C 1310	CKSQYX106K16
C 882	CKSTYX104K10	C 1311	CKSSBYX225M16
		C 1312	CKSRyX104K50
C 883	CKSRyX106M6R3		
C 890	CCG1345	C 1317	CKSRyX104K50
C 891	CKSSBYX225M16	C 1318	CKSRyX104K50
C 934	CKSSYB104K10	C 1321	CKSRyX106M6R3
C 936	CKSSYB472K25	C 1424	CKSSAYX474K16
		C 1634	CCSSCH150J50

Circuit Symbol and No.Part No.Circuit Symbol and No.Part No.

C 1635	CCSSCH150J50
C 1801	CCSSCH101J50
C 1804	CKSQYX106K10
C 1805	CKSSYB104K10
C 1806	CKSQYX106K10
C 1807	CKSSYB104K10

D 207	Schottky Diode	RB751SM-40
D 208	Schottky Diode	RB751SM-40
D 210	Schottky Diode	RB162MM-40TF
D 491	Rectifier Diode	RR1VWM4STF
D 492	Rectifier Diode	RR1VWM4STF
D 493	Rectifier Diode	RR1VWM4STF
D 495	Rectifier Diode	RR1VWM4STF
D 496	Rectifier Diode	RR1VWM4STF
D 497	Rectifier Diode	RR1VWM4STF
D 501	Schottky Diode	RB751SM-40

A**Unit Number: QWM5280(B)****Unit Name : Tuner Amp Unit**MISCELLANEOUS

IC 201	Power supply IC	BD49101ARFS
IC 470	Regulator IC	MM3571A33P
IC 490	Regulator IC	MM3571A33P
IC 495	Regulator IC	MM3479A12P
IC 501	Microprocessor IC	STA1080

D 502	Schottky Diode	RB751SM-40
D 520	Zener Diode	RSB6R8SM
D 521	Zener Diode	RSB6R8SM
D 852	Diode	EZAEG2A50AX
D 1001	Zener Diode	SZESD7351HG

IC 502	Reset IC	PST8227N
IC 701	IC	343S00177
IC 711	RAM IC	W9812G6KH-5
IC 731	ROM IC	M95512-RMN6P
IC 741	Flash ROM Unit	QVQ1111

D 1101	Zener Diode	UDZV18(B)
D 1201	Zener Diode	RSB6R8SM
D 1204	Zener Diode	UDZV6R2(B)
D 1205	Zener Diode	UDZV6R2(B)
D 1206	Zener Diode	RSB6R8SM

IC 742	Flash Memory IC	W25Q16JVSSIQ
IC 761	E-VOL System LSI	BD37067FV
IC 851	Tuner IC	TEF6686AHN
IC 1301	Power Amp IC	PAL014A
IC 1302	Logic IC	TC7SH32FUS2

D 1207	Zener Diode	RSB6R8SM
D 1208	Zener Diode	RSB6R8SM
D 1209	Zener Diode	RSB6R8SM
D 1210	Zener Diode	RSB6R8SM
D 1212	Zener Diode	RSB6R8SM

Q 111	Resistor Built-in Transistor	LTC014TEB
Q 121	Resistor Built-in Transistor	LTC014EEB
Q 141	Resistor Built-in Transistor	LTC014TEB
Q 142	Resistor Built-in Transistor	LTC014TEB
Q 201	Resistor Built-in Transistor	LTC014TEB

D 1213	Zener Diode	RSB6R8SM
D 1216	Diode	EZAEG2A50AX
D 1301	Rectifier Diode	RR1VWM4STF
D 1302	Rectifier Diode	RR1VWM4STF
D 1303	Schottky Diode	RB751SM-40

Q 202	FET	SSM3J332R
Q 203	Power MOS FET	RRR040P03
Q 204	Resistor Built-in Transistor	LTC014TEB
Q 205	FET	SSM3J332R
Q 441	Transistor	2SAR502UB

L 101	Choke Coil 120 uH	CTH1620
L 201	SMD SPL Inductor	CTH1521
L 202	Choke Coil 10 uH	CTH1486
L 203	Chip Beads	VTL1133
L 301	Inductor	CTF1786

Q 442	Resistor Built-in Transistor	LTC023YEB
Q 480	Transistor	2SAR293PGZE
Q 481	Resistor Built-in Transistor	LTC014EEB
Q 701	Resistor Built-in Transistor	LTA023YEB
Q 1101	Resistor Built-in Transistor	LTC014EEB

L 441	Ferrite Bead	CTF1528
L 490	Ferrite Bead	CTF1528
L 495	Ferrite Bead	CTF1528
L 501	Chip Beads	VTL1133
L 502	Inductor	CTF1645

Q 1241	Transistor	IMH23
Q 1242	Transistor	IMH23
Q 1243	Transistor	IMH23
Q 1301	Transistor	EMD52
Q 1302	Resistor Built-in Transistor	LTA023YEB

L 504	Chip Beads	VTL1133
L 505	Chip Beads	VTL1133
L 511	Chip Beads	VTL1133
L 513	Chip Beads	VTL1133
L 514	Chip Beads	VTL1126

D 101	Diode	D1F60-5053
D 102	Diode	D1F60-5053
D 111	Zener Diode	UDZV7R5(B)
D 121	Switching Diode	1SS355VM
D 141	Zener Diode	UDZV7R5(B)

L 601	Ferrite Bead	CTF1528
L 602	Ferrite Bead	CTF1528
L 711	Chip Beads	VTL1133
L 851	Inductor	CTF1786
L 854	Inductor	LCMAR27J1608

D 201	Schottky Diode	RB162MM-40TF
D 202	Rectifier Diode	RR1VWM4STF
D 203	Schottky Diode	RB080LAM-30TF
D 204	Rectifier Diode	RR1VWM4STF
D 206	Schottky Diode	CMS30I30A

L 855	Inductor	CTF1786
L 856	Inductor	CTF1787
L 860	Inductor	LCYC150K1608
L 863	Inductor	LCMAR22J1608
L 1001	Chip Ferrite Bead	DTL1107

L 1101	Inductor	CTF1787
L 1102	Chip Beads	VTL1133
L 1103	Chip Beads	VTL1133
L 1104	Chip Beads	VTL1133
L 1201	Noise Filter	CTF1901

<u>Circuit Symbol and No.</u>	<u>Part No.</u>	<u>Circuit Symbol and No.</u>	<u>Part No.</u>
L 1202 Inductor	CTF1787	R 221	XRS1/16SS473J
L 1203 Inductor	CTF1787	R 222	XRS1/16SS6802D
L 1204 Inductor	CTF1787	R 223 30 mohm	CCN1401
L 1205 Ferrite Bead	CTF1528	R 224	XRS1/16SS6802D
L 1218 Ferrite Bead	CTF1528	R 225	XRS1/16SS102J
L 1219 Ferrite Bead	CTF1528	R 226	XRS1/16SS1203D
L 1220 Ferrite Bead	CTF1528	R 227	XRS1/16SS1802D
L 1221 Ferrite Bead	CTF1528	R 229	XRS1/16SS393J
L 1222 Ferrite Bead	CTF1528	R 230	XRS1/16SS682J
L 1223 Ferrite Bead	CTF1528	R 231	XRS1/16SS4703D
L 1284 Ferrite Bead	CTF1528	R 232	XRS1/16SS1503D
L 1285 Ferrite Bead	CTF1528	R 233	XRS1/16SS1003D
L 1286 Inductor	CTF1787	R 234	XRS1/16SS7503D
L 1287 Inductor	CTF1787	R 235	XRS1/16SS1603D
X 501 Resonator 24 MHz	CSS1773	R 236	XRS1/16SS103J
X 502 Resonator 32.768 kHz	CSS1807	R 238	XRS1/16SS822J
X 851 Crystal Resonator 55.466 67 MHz	CSS1898	R 239	XRS1/16SS101J
S 501 Switch(RESET)	CSG1020	R 240	XRS1/16SS101J
P 480 Poly Switch	FSMD020-R	R 241	XRS1/16SS680J
P 852 Surge Absorber	IMSA-6803-01Y900	R 242	XRS1/16SS4701F
P 1243 Poly Switch	FSMD075-24R	R 243	XRS1/16SS393J
VA1101 SMD Varistor	MLV0402ES012V0010N	R 244	XRS1/16SS103J
VA1201 SMD Varistor	MLV0402ES012V0010N	R 248	XRS1/16SS473J
VA1202 SMD Varistor	MLV0402ES012V0010N	R 250	XRS1/10SR471J
U 1001 BT Module	CWX4751	R 263	XRS1/10SR103J
U 1801 WWR Unit	CWE2571	R 269	XRS1/16SS101J
CN1101 FFC/FPC Connector	CKS6763	R 301	XRS1/10SR0R0J
CN1201 Connector	CKS6452	R 441	XRS1/16SS103J
JA101 Plug	CKM1624	R 442	XRS1/10SR221J
JA851 Antenna Jack	CKX1104	R 445	RS1/16SS0R0J
JA1241 Jack	CKB1113	R 472	XRS1/16SS0R0J
JA1276 Jack	CKN1103	R 481	XRS1/10SR103J
		R 482	RS1/4SA471J
		R 483	RS1/4SA471J
		R 484	XRS1/16SS1003F
RESISTORS			
R 112	XRS1/16SS473J		
R 113	XRS1/16SS333J	R 485	XRS1/16SS183J
R 114	RS1/4SA122J	R 490	XRS1/16SS102J
R 121	XRS1/16SS103J	R 503	XRS1/16SS3R3J
R 123	RS1/4SA102J	R 504	XRS1/16SS3R3J
		R 505	XRS1/16SS221J
R 141	XRS1/16SS104J		
R 142	XRS1/16SS473J	R 506	XRS1/16SS473J
R 144	XRS1/16SS472J	R 507	XRS1/16SS473J
R 201	XRS1/16SS102J	R 508	XRS1/16SS473J
R 202	XRS1/16SS3303D	R 509	XRS1/16SS473J
		R 510	XRS1/16SS473J
R 206	XRS1/16SS472J		
R 207	XRS1/16SS103J	R 511	XRS1/16SS473J
R 208	XRS1/16SS473J	R 512	XRS1/16SS102J
R 209	XRS1/10SR472J	R 513	XRS1/16SS222J
R 210	XRS1/16SS103J	R 515	XRS1/16SS103J
		R 517	XRS1/16SS103J
R 211	XRS1/10SR472J		
R 212	XRS1/16SS103J	R 519	XRS1/16SS151J
R 213	XRS1/16SS132J	R 520	XRS1/16SS472J
R 214	XRS1/16SS102J	R 521	XRS1/16SS473J
R 215	XRS1/16SS2403D	R 522	XRS1/16SS0R0J
		R 524	XRS1/16SS3001D
R 216	XRS1/16SS7502D		
R 217	XRS1/16SS4303D	R 525	XRS1/16SS103J
R 218	XRS1/16SS4303D	R 526	XRS1/16SS1213F
R 219	XRS1/16SS273J	R 531	XRS1/16SS222J
R 220	XRS1/16SS474J	R 532	XRS1/16SS222J

Circuit Symbol and No.Part No.Circuit Symbol and No.Part No.

	R 533	XRS1/10SR103J	R 633	XRS1/16SS101J
			R 634	XRS1/16SS101J
A	R 534	XRS1/10SR103J		
	R 536	XRS1/16SS472J	R 635	XRS1/16SS101J
	R 538	XRS1/16SS472J	R 636	XRS1/16SS101J
	R 540	XRS1/16SS103J	R 637	XRS1/16SS221J
	R 541	XRS1/16SS103J	R 638	XRS1/16SS221J
			R 639	XRS1/16SS101J
	R 544	XRS1/16SS102J		
	R 545	XRS1/16SS473J	R 640	XRS1/16SS101J
	R 546	XRS1/16SS273J	R 642	XRS1/16SS221J
	R 547	XRS1/16SS473J	R 643	XRS1/16SS101J
	R 548	XRS1/16SS102J	R 645	XRS1/16SS101J
			R 646	XRS1/16SS101J
	R 550	XRS1/16SS103J		
B	R 551	XRS1/16SS103J	R 647	XRS1/16SS102J
	R 552	XRS1/16SS102J	R 648	XRS1/16SS102J
	R 554	XRS1/16SS222J	R 650	XRS1/16SS101J
	R 555	XRS1/16SS135J	R 651	XRS1/16SS102J
			R 652	XRS1/16SS101J
	R 556	XRS1/16SS101J		
	R 557	XRS1/16SS101J	R 653	XRS1/16SS0R0J
	R 558	XRS1/16SS222J	R 657	XRS1/16SS101J
	R 559	XRS1/16SS222J	R 658	XRS1/16SS101J
	R 560	XRS1/16SS473J	R 659	XRS1/16SS101J
			R 660	XRS1/16SS101J
	R 561	XRS1/16SS103J		
	R 562	XRS1/16SS472J	R 661	XRS1/16SS101J
C	R 563	XRS1/16SS472J	R 663	XRS1/16SS101J
	R 564	XRS1/16SS472J	R 664	XRS1/16SS101J
	R 566	RAB4CQ103J	R 672	XRS1/16SS101J
			R 674	XRS1/16SS472J
	R 567	XRS1/16SS472J		
	R 568	XRS1/16SS0R0J	R 681	XRS1/16SS473J
	R 570	XRS1/16SS221J	R 690	XRS1/16SS472J
	R 571	XRS1/16SS221J	R 695	XRS1/16SS101J
	R 572	XRS1/16SS472J	R 697	XRS1/16SS102J
			R 698	XRS1/10SR0R0J
	R 573	XRS1/16SS473J		
	R 574	XRS1/16SS473J	R 701	XRS1/16SS103J
	R 575	XRS1/16SS473J	R 702	XRS1/16SS152J
D	R 577	XRS1/16SS182J	R 703	XRS1/16SS101J
	R 578	XRS1/16SS473J	R 704	XRS1/16SS101J
			R 705	XRS1/16SS222J
	R 579	XRS1/16SS473J		
	R 580	XRS1/16SS473J	R 706	XRS1/16SS222J
	R 584	XRS1/16SS102J	R 709	XRS1/16SS473J
	R 586	XRS1/16SS103J	R 710	XRS1/16SS0R0J
	R 587	XRS1/16SS102J	R 712	RS1/16SS0R0J
			R 714	RAB4CQ121J
	R 588	XRS1/16SS221J		
	R 590	XRS1/16SS221J	R 715	RAB4CQ121J
	R 591	XRS1/16SS221J	R 716	RAB4CQ121J
	R 597	XRS1/16SS102J	R 717	RAB4CQ121J
E	R 598	XRS1/16SS102J	R 718	RAB4CQ121J
			R 719	RAB4CQ121J
	R 599	XRS1/16SS102J		
	R 603	XRS1/16SS101J	R 720	RAB4CQ121J
	R 604	XRS1/16SS101J	R 721	RAB4CQ121J
	R 605	XRS1/16SS101J	R 722	RAB4CQ121J
	R 611	XRS1/16SS472J	R 723	XRS1/10SR0R0J
			R 724	XRS1/16SS121J
	R 614	XRS1/16SS473J		
	R 615	XRS1/16SS103J	R 726	RS1/10SR0R0J
	R 617	XRS1/16SS473J	R 727	RS1/10SR0R0J
	R 627	XRS1/16SS153J	R 728	RS1/10SR0R0J
	R 628	XRS1/16SS153J	R 731	XRS1/16SS330J
F			R 732	XRS1/16SS330J
	R 629	XRS1/16SS472J		
	R 630	XRS1/16SS101J	R 733	XRS1/16SS103J
	R 632	XRS1/16SS101J	R 734	XRS1/16SS103J

<u>Circuit Symbol and No.</u>	<u>Part No.</u>	<u>Circuit Symbol and No.</u>	<u>Part No.</u>
R 735	XRS1/16SS103J	R 1115	XRS1/16SS472J
R 736	XRS1/16SS330J	R 1116	XRS1/16SS472J
R 737	XRS1/16SS330J	R 1117	XRS1/16SS472J
		R 1119	XRS1/16SS473J
R 741	XRS1/16SS820J		
R 742	XRS1/16SS103J	R 1120	XRS1/16SS151J
R 743	XRS1/16SS103J	R 1121	XRS1/16SS151J
R 744	XRS1/16SS820J	R 1122	XRS1/16SS151J
R 745	XRS1/16SS820J	R 1201	XRS1/10SR222J
		R 1203	XRS1/16SS223J
R 746	XRS1/16SS103J		
R 747	XRS1/16SS330J	R 1204	XRS1/16SS223J
R 748	XRS1/16SS820J	R 1205	XRS1/10SR222J
R 749	XRS1/16SS330J	R 1209	XRS1/10SR222J
R 750	XRS1/16SS103J	R 1210	XRS1/10SR222J
		R 1211	XRS1/10SR222J
R 751	XRS1/16SS103J		
R 753	XRS1/16SS103J	R 1212	XRS1/10SR222J
R 754	XRS1/16SS820J	R 1213	XRS1/16SS123J
R 759	XRS1/16SS820J	R 1214	XRS1/10SR222J
R 761	XRS1/10SR221J	R 1215	XRS1/10SR101J
		R 1241	XRS1/16SS821J
R 763	XRS1/16SS101J		
R 764	XRS1/16SS101J	R 1242	XRS1/16SS821J
R 766	XRS1/16SS0R0J	R 1243	XRS1/16SS821J
R 767	XRS1/16SS104J	R 1244	XRS1/16SS821J
R 768	XRS1/16SS181J	R 1245	XRS1/16SS821J
		R 1246	XRS1/16SS821J
R 769	XRS1/10SR0R0J		
R 851	XRS1/16SS105J	R 1247	XRS1/16SS223J
R 852	XRS1/16SS105J	R 1248	XRS1/16SS223J
R 853	XRS1/16SS391J	R 1249	XRS1/16SS223J
R 863	XRS1/16SS103J	R 1250	XRS1/16SS223J
		R 1251	XRS1/16SS223J
R 868	XRS1/16SS103J		
R 870	XRS1/16SS101J	R 1252	XRS1/16SS223J
R 873	XRS1/16SS182J	R 1253	XRS1/16SS0R0J
R 874	XRS1/16SS101J	R 1255	XRS1/16SS0R0J
R 875	XRS1/16SS472J	R 1278	XRS1/16SS102J
		R 1280	XRS1/16SS102J
R 890	XRS1/16SS0R0J		
R 945	XRS1/16SS0R0J	R 1281	XRS1/16SS101J
R 946	XRS1/16SS0R0J	R 1282	XRS1/16SS101J
R 947	XRS1/16SS0R0J	R 1301	XRS1/16SS123J
R 948	XRS1/16SS0R0J	R 1302	XRS1/16SS103J
		R 1303	XRS1/16SS221J
R 1001	XRS1/16SS0R0J		
R 1002	XRS1/16SS221J	R 1306	XRS1/16SS103J
R 1004	XRS1/16SS473J	R 1309	RS1/8SQ0R0J
R 1005	XRS1/16SS221J	R 1310	RS1/8SQ0R0J
R 1006	XRS1/16SS0R0J	R 1312	XRS1/16SS272J
		R 1313	XRS1/16SS102J
R 1007	XRS1/16SS0R0J		
R 1011	XRS1/16SS221J	R 1321	XRS1/16SS0R0J
R 1012	XRS1/16SS221J	R 1322	XRS1/16SS0R0J
R 1013	XRS1/16SS0R0J	R 1323	XRS1/16SS0R0J
R 1017	XRS1/16SS473J	R 1324	XRS1/16SS0R0J
		R 1421	XRS1/16SS0R0J
R 1018	XRS1/16SS473J		
R 1101	XRS1/16SS104J	R 1422	XRS1/16SS0R0J
R 1104	XRS1/16SS472J	R 1423	XRS1/16SS0R0J
R 1105	XRS1/16SS221J	R 1804	XRS1/16SS101J
R 1106	XRS1/16SS221J	R 1805	XRS1/16SS101J
		R 1806	XRS1/16SS101J
R 1107	XRS1/16SS101J		
R 1108	XRS1/16SS221J	R 1807	XRS1/16SS390J
R 1109	XRS1/16SS101J	R 1812	XRS1/16SS102J
R 1110	XRS1/16SS102J	R 1813	XRS1/16SS221J
R 1112	XRS1/16SS221J	R 1814	XRS1/16SS121J
R 1114	XRS1/16SS473J		

CAPACITORS

Circuit Symbol and No.Part No.Circuit Symbol and No.Part No.

	<u>Circuit Symbol and No.</u>	<u>Part No.</u>	<u>Circuit Symbol and No.</u>	<u>Part No.</u>	
			C 257	10 uF/35 V	CCG1236
A	C 101	2 200 uF/16V	CCH1659		
	C 102		CKSRAYB103K50	C 259	CKSRAYX106M10
	C 103		CKSSYB102K50	C 260	CKSRAYX106M10
	C 104		CKSSYB102K50	C 261	CKSTYX104K10
	C 105		CKSSYB102K50	C 267	CKSSYB104K16
				C 270	CKSRYX475K16
	C 106		CKSSYB102K50		
	C 107		CKSSYB102K50	C 441	CCSSCH101J50
	C 108		CKSSYB102K50	C 442	CKSRYX106M6R3
	C 109		CKSSYB102K50	C 443	CCSSCH101J50
	C 110		CKSSYB102K50	C 444	CKSRYX106M6R3
				C 470	CKSSAYX474K16
	C 111		CKSRYX104K50		
	C 121		CKSTYX104K10	C 472	CKSSAYX474K16
B	C 122		CKSRYX105K50	C 480	CKSSYB104K16
	C 201		CKSTYX681K50	C 481	CKSQYX106K25
	C 203		CKSRYX106M6R3	C 490	CKSSAYX474K16
				C 493	CKSSAYX474K16
	C 204	220 uF/6.3 V	CCH1688		
	C 205		CKSRYX105K50	C 495	CKSSYX105K16
	C 206	10 uF/35 V	CCG1236	C 496	CKSSYB104K10
	C 207		CKSTYX104K10	C 497	CKSSYX105K16
	C 208		CCSSCH471J50	C 502	CKSTYX104K10
				C 503	CKSRYX475K16
	C 209		CKSTYX681K50		
	C 210	2 200 uF/16V	CCH1659	C 505	CKSTYX104K10
	C 211		CKSRAYX106M10	C 506	CKSRYX475K16
C	C 212	2 200 uF/16V	CCH1659	C 507	CKSRYX475K16
	C 213		CKSRYB222K50	C 508	CKSTYX104K10
				C 509	CKSRYX475K16
	C 214		CKSRYX106M6R3		
	C 215		CKSTYX104K25	C 510	CKSTYX104K10
	C 218	10 uF/35 V	CCG1236	C 511	CKSRYX475K16
	C 220	10 uF/35 V	CCG1236	C 512	CKSTYX104K10
	C 221	10 uF/35 V	CCG1236	C 513	CKSRYX475K16
				C 514	CKSTYX104K10
	C 222		CEVW221M16		
	C 223		CCSSCH221J50	C 515	CKSSYX105K10
	C 224		CKSSYX105K16	C 516	CKSRYX225K16
	C 225		CKSSYX105K16	C 517	CKSTYX104K10
D	C 227		CCSSCH221J50	C 518	CCSTCH100D50
				C 519	CCSTCH100D50
	C 228		CKSTYX102K50		
	C 230		CKSRAYX106M10	C 520	CKSRAYX106M16
	C 231		CKSTYX104K10	C 521	CKSTYX104K10
	C 232		CEHVW101M6R3	C 522	CKSRAYX106M16
	C 234		CKSRYX475K16	C 523	CKSRYX475K16
				C 524	CKSRYX475K16
	C 236	10 uF/35 V	CCG1236		
	C 237		CKSSYB104K16	C 525	CKSRYX106M6R3
	C 238		CKSQYX226M16	C 526	CKSTYX103K16
	C 239		CCSTCH100D50	C 527	CKSRYX106M6R3
	C 240		CCSTCH100D50	C 528	CKSTYX103K16
E				C 529	CKSTYX104K10
	C 241		CKSRAYX106M10		
	C 242		CKSSYB104K16	C 530	CKSRAYX106M16
	C 243	10 uF/35 V	CCG1236	C 531	CKSSYX105K10
	C 244		CKSSYB102K50	C 532	CKSSYX105K10
	C 245	10 uF/35 V	CCG1236	C 533	CKSRYX475K16
				C 534	CKSTYX104K10
	C 246		CKSRYX475K16		
	C 247		CKSSYX105K10	C 535	CEVW221M10
	C 248		CKSRYX105K50	C 536	CCSSCH101J50
	C 249		CCSTCH820J50	C 537	CKSTYX103K16
	C 250		CKSSBYX225M16	C 538	CKSRYX106M6R3
				C 539	CKSTYX103K16
F	C 251		CKSSYX105K10		
	C 252		CKSRYX475K16	C 540	CKSRYX106M6R3
	C 253		CKSRYX105K50	C 541	CKSTYX222K25
	C 255		CKSSYX105K6R3	C 542	CKSTYX104K10

<u>Circuit Symbol and No.</u>	<u>Part No.</u>	<u>Circuit Symbol and No.</u>	<u>Part No.</u>
C 543	CKSSYX105K10	C 787	CKSQYX106K16
C 544	CKSTYX473K10	C 788	CKSQYX106K16
		C 790	CKSRYX106M6R3
C 545	CCSTCH100D50		
C 546	CCSTCH120J50	C 791	CKSTYX103K16
C 551	CKSTYX104K10	C 801	CKSSYX224K10
C 552	CKSRYX475K16	C 853	CCSTCH120J50
C 553	CKSRYX106M6R3	C 854	CKSTYX471K50
		C 858	CCSTCH5R0C50
C 555	CKSTYX103K16		
C 556	CKSTYX104K10	C 859	CCSTCH120J50
C 559	CKSQYB224K50	C 865	CKSSBYX225M16
C 560	CKSTYX103K16	C 866	CKSSYB224K6R3
C 565	CCSTCH270J50	C 867	CKSTYX102K50
		C 870	CKSTYX102K50
C 566	CCSTCH330J50		
C 575	CKSTYX104K10	C 871	CKSSYB102K50
C 576	CKSTYX102K50	C 872	CKSTYX104K10
C 580	CKSTYX104K10	C 874	CCSTCH180J50
C 588	CKSTYX104K10	C 878	CKSTYX152K50
		C 882	CKSTYX104K10
C 590	CKSSYB472K25		
C 591	CKSSYB472K25	C 883	CKSRYX106M6R3
C 592	CKSSYB472K25	C 890	CCG1345
C 593	CKSSYB472K25	C 891	CKSSBYX225M16
C 595	CKSSYB472K25	C 934	CKSSYB104K10
		C 936	CKSSYB472K25
C 695	CKSSYB102K50		
C 702	CKSTYX104K10	C 942	CKSSYX105K16
C 712	CKSSYX105K10	C 945	CCSSCH101J50
C 713	CKSTYX104K10	C 946	CCSTCH561J25
C 714	CKSSYX105K10	C 947	CKSSYB102K50
		C 949	CKSSYB102K50
C 715	CKSSYX105K10		
C 716	CKSSYX105K10	C 950	CCSTCH560J50
C 717	CKSRYX475K16	C 1003	CKSTYX104K10
C 718	CKSSYX105K10	C 1004	CKSTYX104K10
C 719	CKSTYX104K10	C 1101	CKSTYX103K16
		C 1105	CKSSYX105K10
C 721	CKSSYX105K16		
C 722	CKSTYX104K10	C 1106	CKSSYX105K10
C 723	CKSTYX102K50	C 1109	CKSTYX102K50
C 729	CKSRAYX106M10	C 1201	CKSRYB104K25
C 731	CKSTYX104K10	C 1203	CKSRYX104K50
		C 1204	CKSRYX105K16
C 741	CKSSBYX225M16		
C 742	CKSTYX104K10	C 1206	CKSTYX102K50
C 743	CKSTYX104K10	C 1210	CKSRYX105K16
C 761	CKSRYX105K16	C 1212	CCSSCH470J50
C 762	CKSRYX105K16	C 1217	CCSSCH121J50
		C 1221	CCG1236
C 763	CKSRYX105K16		
C 769	CKSRYX105K16	C 1241	CKSQYX106K10
C 770	CKSRYX105K16	C 1242	CKSQYX106K10
C 771	CKSRYX105K16	C 1243	CKSQYX106K10
C 772	CKSRYX105K16	C 1244	CKSQYX106K10
		C 1245	CKSQYX106K10
C 773	CKSRYX105K16		
C 774	CCSTCH151J50	C 1246	CKSQYX106K10
C 775	CCSTCH151J50	C 1247	CKSTYX102K50
C 776	CKSSYX104K50	C 1248	CKSTYX102K50
C 777	CCG1236	C 1249	CKSTYX102K50
		C 1250	CKSTYX102K50
C 779	CKSRAYX106M16		
C 780	CKSTYX104K25	C 1251	CKSTYX102K50
C 781	CKSRYX105K16	C 1252	CKSTYX102K50
C 782	CKSRYX105K16	C 1253	CKSTYX103K16
C 783	CKSRYX105K16	C 1254	CKSTYX104K10
		C 1255	CKSTYX471K50
C 784	CKSRYX105K16		
C 785	CKSRYX105K16	C 1256	CKSSYB103K16

1 000 pF

10 uF/35 V

10 uF/35 V

Circuit Symbol and No.**Part No.****Circuit Symbol and No.****Part No.**

C 1258 CCSTCH101J50
 C 1276 CKSSYB104K16
 C 1277 CKSSYB104K16
 C 1278 CKSSYB104K16

S 1827 Push Switch CSG1155
 S 1828 Push Switch CSG1155
 S 1829 Push Switch CSG1155
 S 1830 Push Switch CSG1155
 S 1831 Push Switch CSG1155

C 1279 CKSSYB104K16
 C 1280 CKSTYX102K50
 C 1281 CKSTYX102K50
 C 1301 CKSQYB474K25
 C 1302 CKSQYB474K25

S 1832 Push Switch CSG1155
 S 1833 Push Switch CSG1155
 S 1834 Push Switch CSG1155
 S 1835 Push Switch CSG1155

C 1303 CKSQYB474K25
 C 1304 CKSQYB474K25
 C 1305 CKSTYX104K10
 C 1306 CKSRYB474K10
 C 1308 CKSRYX104K50

S 1836 Rotary Encoder(MULTI-CONTROL) CSD1212

CN1941 Connector CKS6287
 JA 1901 Connector CKS6443
 JA 1921 Jack KKN1090
 V 1801 Segment LCD CAW2065

C 1310 CKSQYX106K16
 C 1311 CKSSBYX225M16
 C 1312 CKSRYX104K50
 C 1317 CKSRYX104K50
 C 1318 CKSRYX104K50

RESISTORS

R 1802 RS1/10SR472J
 R 1821 RS1/10SR273J
 R 1852 (B) RS1/10SR473J
 R 1854 (A) RS1/10SR101J
 R 1921 RS1/10SR221J

C 1321 CKSRYX106M6R3
 C 1424 CKSSAYX474K16
 C 1801 CCSSCH101J50
 C 1802 CKSSYB104K10
 C 1804 CKSQYX106K10

R 1922 RS1/10SR221J
 R 1923 RS1/10SR0R0J
 R 1941 RS1/10SR222J
 R 1942 RS1/10SR222J
 R 1943 RS1/10SR222J

C 1805 CKSSYB104K10
 C 1806 CKSQYX106K10
 C 1807 CKSSYB104K10

R 1944 RS1/10SR222J
 R 1951 RS1/10SR332J
 R 1952 RS1/10SR152J
 R 1953 RS1/10SR332J
 R 1954 RS1/10SR152J

B
Unit Number: QWM5096(A)
Unit Number: QWM5097(B)
Unit Name : Keyboard Unit

MISCELLANEOUS

IC 1801 Driver IC BU97540KV-M
 IC 1851 IR RC REC Module(A) SIR8440B5
 Q 1951 Bipolar Transistor LSCR523UB
 Q 1952 Bipolar Transistor LSCR523UB
 Q 1953 Bipolar Transistor LSCR523UB
 Q 1954 Bipolar Transistor LSCR523UB
 Q 1955 Bipolar Transistor LSCR523UB
 Q 1956 Bipolar Transistor LSCR523UB
 D 1901 Zener Diode SZESD7351HG
 D 1902 Zener Diode SZESD7351HG

R 1955 RS1/10SR332J
 R 1956 RS1/10SR152J
 R 1957 RS1/10SR680J
 R 1958 RS1/10SR680J
 R 1959 RS1/10SR680J

D 1922 Zener Diode RSB6R8SM
 D 1923 Zener Diode RSB6R8SM
 D 1941 Zener Diode RSB6R8SM
 D 1942 Zener Diode RSB6R8SM
 D 1951 LED NSSM124F-A27847

R 1960 RS1/10SR332J
 R 1961 RS1/10SR152J
 R 1962 RS1/10SR332J
 R 1963 RS1/10SR152J
 R 1964 RS1/10SR332J

D 1952 LED NSSM124F-A27847
 D 1953 LED NSSM124F-A27847
 D 1954 LED NSSM124F-A27847
 D 1955 LED NSSM124F-A27847
 S 1821 Push Switch CSG1155

R 1965 RS1/10SR152J
 R 1966 RS1/10SR680J
 R 1967 RS1/10SR680J
 R 1968 RS1/10SR680J
 R 1969 RS1/10SR221J

S 1822 Push Switch CSG1155
 S 1823 Push Switch CSG1155
 S 1824 Push Switch CSG1155
 S 1825 Push Switch CSG1155
 S 1826 Push Switch CSG1155

R 1970 RS1/10SR121J
 R 1971 RS1/10SR121J

CAPACITORS

C 1801 CKSRYX105K16
 C 1851 (A) CKSQYX106K10
 C 1901 CCSRCH471J50
 C 1904 CKSRYX475K10
 C 1921 1 000 pF CCG1345
 C 1922 1 000 pF CCG1345

C

Circuit Symbol and No. **Part No.**
Unit Number: CWX4269
Unit Name : CD Core Unit(S11.6VA)

MISCELLANEOUS

IC 201	IC	PEQ094A
IC 301	Driver IC	BD8223EFV
Q 101	Transistor	2SAR502UB
Q 102	Chip Digital Transistor	LTA123JUB
X 201	Ceramic Resonator 16.934 MHz	CSS1603

S 901	Lever Switch(HOME)	CSN1090
S 903	Spring Switch(DSCSNS)	CSN1081
CN101	Connector	CKS4808
CN701	Connector	CKS6146

RESISTORS

R 101	RS1/10SR2R4J
R 102	RS1/10SR2R4J
R 103	RS1/10SR2R7J
R 108	RS1/16SS105J
R 109	RS1/16SS152J

R 214	RS1/16SS103J
R 215	RS1/16SS393J
R 216	RS1/16SS102J
R 217	RS1/16SS562J
R 218	RS1/16SS472J

R 229	RS1/16SS471J
R 232	RS1/16SS0R0J
R 237	RS1/16SS221J
R 240	RS1/16SS473J
R 245	RS1/16SS104J

R 254	RS1/16SS104J
R 260	RS1/16SS103J
R 264	RS1/16SS102J
R 281	RS1/16SS560J
R 282	RS1/16SS560J

R 291	RS1/16SS560J
R 294	RS1/16SS471J
R 303	RS1/16SS123J
R 304	RS1/16SS123J
R 305	RS1/16SS102J

R 306	RS1/16SS472J
R 307	RS1/16SS102J
R 308	RS1/16SS472J
R 309	RS1/16SS473J
R 310	RS1/16SS472J

R 311	RS1/16SS472J
R 312	RS1/16SS472J
R 313	RS1/16SS472J
R 701	RS1/16SS101J
R 702	RS1/16SS101J

R 706	RS1/16SS221J
-------	--------------

CAPACITORS

C 104	CKSQYB475K6R3
C 110	CKSSYB104K10
C 111	CKSSYB103K16
C 203	CKSSYB104K10
C 205	CKSRYB105K10

Circuit Symbol and No. **Part No.**
C 209 CKSRYB104K16
C 210 CKSSYB104K10
C 211 CKSSYB104K10
C 212 CKSSYB104K10
C 213 CKSSYB332K50

C 214	CKSSYB473K16
C 215	CKSSYB104K10
C 216	CKSSYB152K50
C 217	CCSSCH390J50
C 218	CCSSCH5R0C50

C 219	CKSSYB104K10
C 220	CKSSYB104K10
C 221	CKSSYB104K10
C 222	CKSSYB104K10
C 223	CCSSCH680J50

C 224	CCSSCH470J50
C 225	CKSSYB103K16
C 228	CCSSCH180J50
C 229	CKSSYB104K10
C 233	CKSSYB103K16

C 236	CKSSYB104K10
C 238	CKSRYB104K16
C 299	CKSSYB104K10
C 302	CKSSYB102K50
C 303	CKSSYB102K50

C 304	CKSSYB223K16
C 305	CKSSYB104K10
C 306	CKSSYB104K10
C 307	CKSRYB105K10
C 308	CKSRYB105K10

C 710	CKSSYB102K50
-------	--------------

D

Unit Number: CWX4023
Unit Name : CD Core Unit(S11.6STD)

MISCELLANEOUS

IC 201	IC	PE5791A
IC 301	Driver IC	BD8223EFV
Q 101	Transistor	2SAR502UB
Q 102	Chip Digital Transistor	LTA123JUB
X 201	Ceramic Resonator 16.934 MHz	CSS1603

S 901	Lever Switch(HOME)	CSN1090
S 903	Spring Switch(DSCSNS)	CSN1081
CN101	Connector	CKS4808
CN701	Connector	CKS6146

RESISTORS

R 101	RS1/10SR2R4J
R 102	RS1/10SR2R4J
R 103	RS1/10SR2R7J
R 108	RS1/16SS105J
R 109	RS1/16SS222J

R 214	RS1/16SS103J
R 215	RS1/16SS393J
R 216	RS1/16SS122J
R 217	RS1/16SS562J
R 218	RS1/16SS472J

Circuit Symbol and No.**Part No.****Circuit Symbol and No.****Part No.**

	R 229	RS1/16SS471J	C 308	CKSRYB105K10
	R 232	RS1/16SS0R0J	C 710	CKSSYB102K50
A	R 237	RS1/16SS221J		
	R 240	RS1/16SS473J		
	R 245	RS1/16SS104J		

	R 254	RS1/16SS104J		
	R 260	RS1/16SS103J		
	R 264	RS1/16SS102J		
	R 281	RS1/16SS560J		
	R 282	RS1/16SS560J		

	R 291	RS1/16SS560J		
	R 294	RS1/16SS471J		
	R 303	RS1/16SS123J		
B	R 304	RS1/16SS123J		
	R 305	RS1/16SS102J		

	R 306	RS1/16SS472J		
	R 307	RS1/16SS102J		
	R 308	RS1/16SS472J		
	R 309	RS1/16SS473J		
	R 310	RS1/16SS472J		

	R 311	RS1/16SS472J		
	R 312	RS1/16SS472J		
	R 313	RS1/16SS472J		
	R 701	RS1/16SS101J		
C	R 702	RS1/16SS101J		

	R 706	RS1/16SS221J		
--	-------	--------------	--	--

CAPACITORS

	C 104	CKSQYB475K6R3		
	C 203	CKSSYB104K10		
	C 209	CKSRYB104K16		
	C 210	CKSSYB104K10		
	C 211	CKSSYB104K10		

	C 212	CKSSYB104K10		
D	C 213	CKSSYB332K50		
	C 214	CKSSYB473K16		
	C 215	CKSSYB104K10		
	C 216	CKSSYB182K50		

	C 217	CCSSCH560J50		
	C 218	CCSSCH4R0C50		
	C 219	CKSSYB104K10		
	C 220	CKSSYB104K10		
	C 221	CKSSYB104K10		

	C 222	CKSSYB104K10		
	C 223	CCSSCH680J50		
E	C 224	CCSSCH470J50		
	C 225	CKSSYB103K16		
	C 228	CCSSCH270J50		

	C 229	CKSSYB104K10		
	C 233	CKSSYB103K16		
	C 236	CKSSYB104K10		
	C 238	CKSRYB104K16		
	C 299	CKSSYB104K10		

	C 302	CKSSYB102K50		
	C 303	CKSSYB102K50		
	C 304	CKSSYB223K16		
F	C 305	CKSSYB104K10		
	C 306	CKSSYB104K10		

	C 307	CKSRYB105K10		
--	-------	--------------	--	--