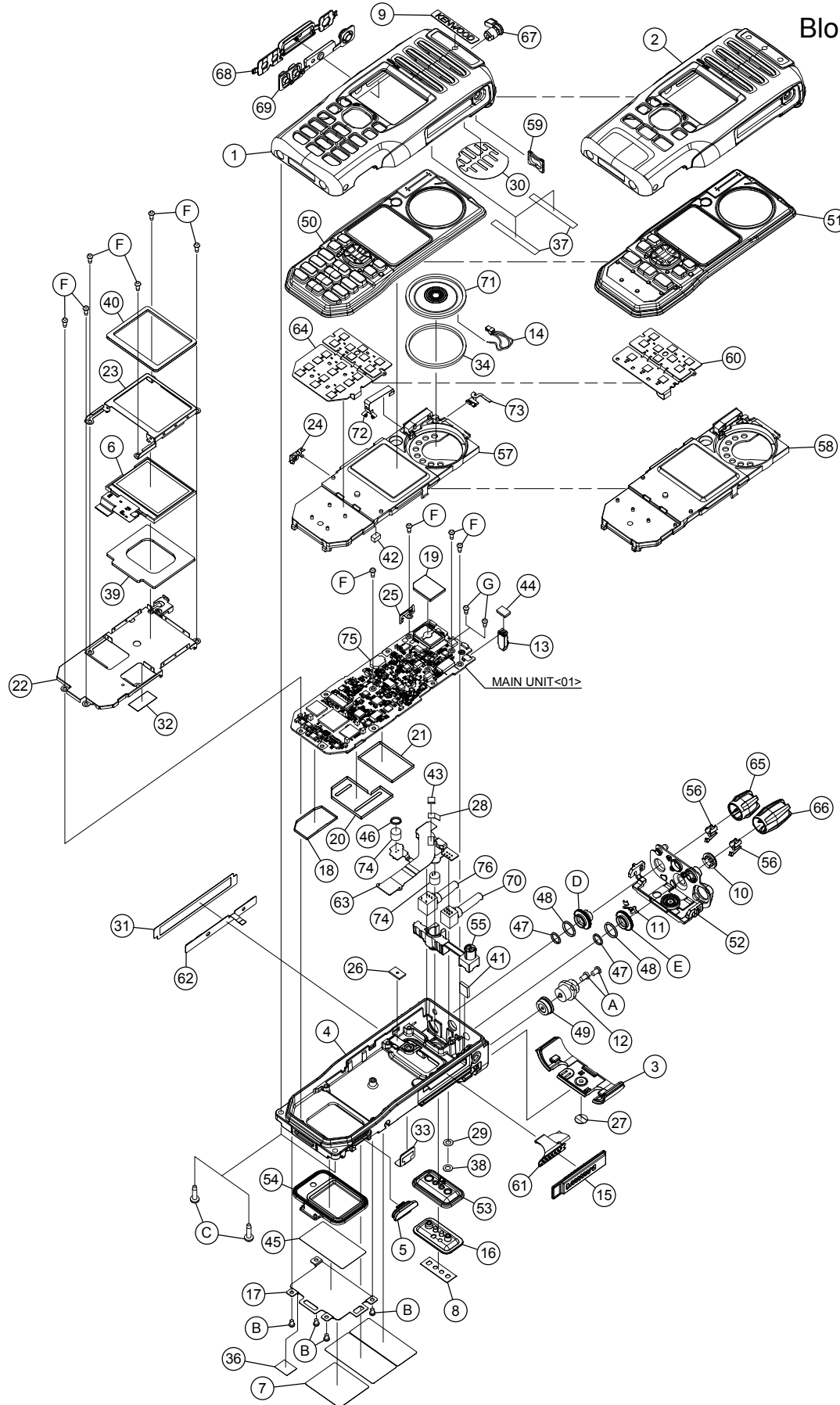


# Exploded view of general assembly and parts list

Block No.M1MM



# General assembly

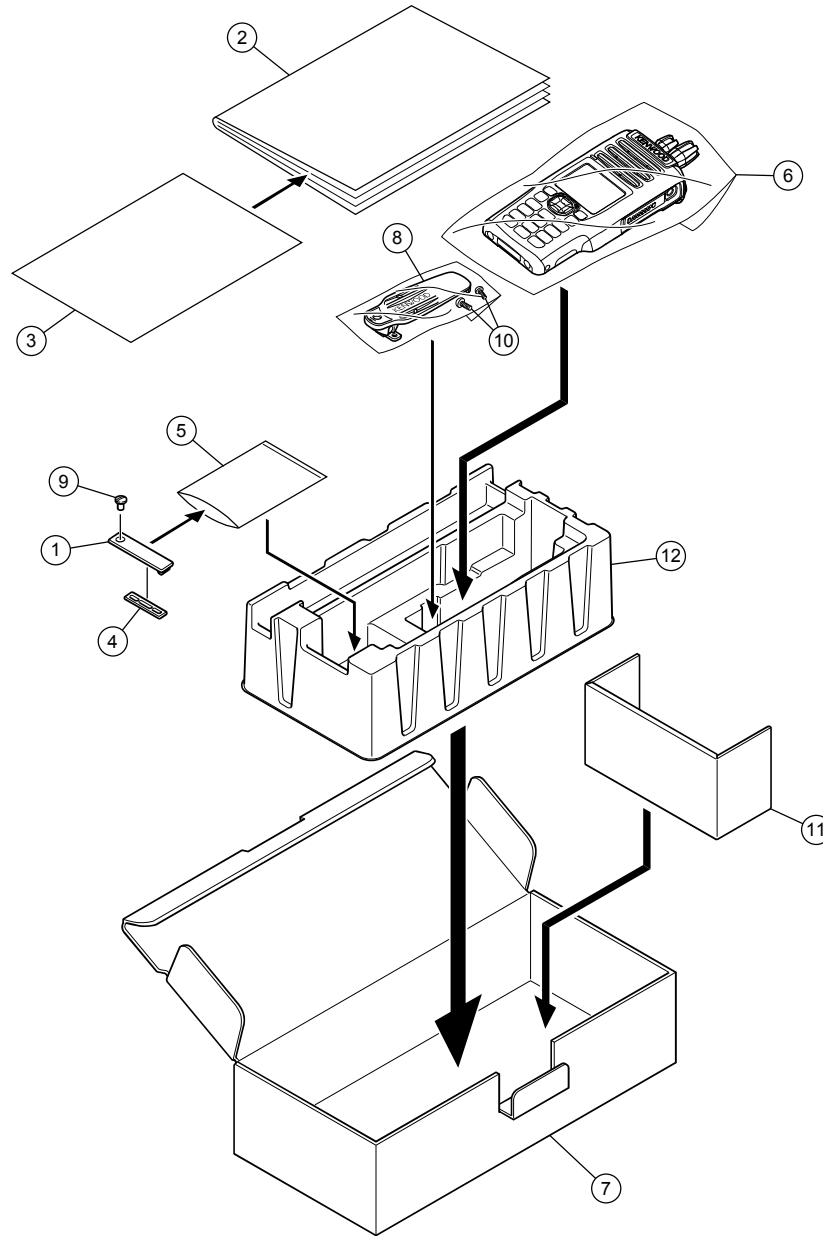
Block No. [M][1][M][M]

△ Symbol No.	Part No.	Part Name	Description	Local
1	A0C-0001-00	PLASTIC CABINET(FULL KEY)		F3,K3
2	A0C-0002-00	PLASTIC CABINET(STANDARD KEY)		F2,K2
3	A8A-0005-00	REAR PANEL		
4	A1A-0005-00	CHASSIS		
5	B0K-0024-00	CAP(SD)		
6	B38-0960-05	LCD ASSY		
7	B4B-0006-00	CAUTION STICKER		
8	B4C-0105-00	TERMINAL STICKER		
9	B4D-0002-00	KENWOOD BADGE		
10	D32-0454-04	STOPPER(16CH)		
11	D3C-0001-10	STOPPER(CIRCULAR NUT)		
12	E04-0467-15	RF COAXIAL RECEPTACLE(SMA)		
13	E2D-0003-00	TERMINAL(ANT)		
14	E3H-0007-00	LEAD WIRE WITH CONNECTOR(SP)		
15	E58-0532-05	RECTANGULAR RECEPTACLE(14P)		
16	E7C-0001-00	TERMINAL BLOCK		
17	F0G-0005-00	COVER(OP BOARD)		
18	F10-3223-05	SHIELDING COVER(IF)		
19	F10-3227-05	SHIELDING COVER(GPS)		
20	F10-3243-15	SHIELDING COVER(VCO TX)		
21	F10-3245-15	SHIELDING COVER(VCO RX)		
22	F1B-0005-00	SHIELDING CASE(OMAP)		
23	F1B-0006-00	SHIELDING COVER(LCD)		
24	G0B-0031-00	EARTH SPRING(KEY FPC)		
25	G0B-0032-00	EARTH SPRING(XC1)		
26	G11-4090-14	SHEET(COOLING)		
27	G11-4440-04	SHEET(LEAK COVER)		
28	G11-4459-04	SHEET(VOL CH FPC)		
29	G11-4500-04	SHEET(LEAK)		
30	G1A-0001-00	FIBROUS SHEET		
31	G1B-0016-00	SHEET(PTT)		
32	G1B-0031-00	SHEET(LI BATT INSULATING)		
33	-----	SHEET(VOID/CABINET)		
34	G1B-0045-10	RUBBER CUSHION(SP)		
36	-----	SEAL(VOID/OP BOARD)		
37	G1B-0074-00	SHEET(CABINET)	(x2)	
38	G1B-0087-00	SHEET(LEAK)		
39	G1D-0008-00	CUSHION(LCD/BACK)		
40	G1D-0009-00	CUSHION(LCD/FRONT)		
41	G1D-0010-00	CUSHION(ANT TERMINAL)		
42	G1D-0021-00	CUSHION(20KEY CONN)		
43	G1D-0025-00	CUSHION(VOL/FPC)		
44	G1D-0041-00	CUSHION(ANT TERMINAL SIDE A)		
45	G1D-0062-00	CUSHION(OP BOARD COVER)		
46	G53-1768-04	PACKING(ECM)		F2,K2
47	G53-1792-04	PACKING(VOL)	(x2)	
48	G53-2206-04	O RING(CIRCULAR NUT)	(x2)	
49	G53-2207-04	PACKING(ANT)		
50	G5D-0002-00	PACKING(FULL KEY)		F3,K3
51	G5D-0003-00	PACKING(STANDARD KEY)		F2,K2
52	G5D-0005-00	PACKING(TOP)		
53	G5D-0006-00	PACKING(TERMINAL BLOCK)		
54	G5D-0007-00	PACKING(OP BOARD)		
55	G5D-0018-00	PACKING(VOL/2ECM)		
56	G09-0443-14	KNOB SPRING(VOL/SELECTOR)	(x2)	
57	J1K-0004-00	HOLDER(FULL KEY)		F3,K3
58	J1K-0005-00	HOLDER(STANDARD KEY)		F2,K2
59	J3K-0003-00	SPACER(2CH)		
60	J8C-0001-00	FLEX PRINTED BOARD(STANDARD KEY)		F2,K2
61	J87-0056-05	FPC(UNIVERSAL)		
62	J87-0057-05	FPC(PTT)		
63	J87-0058-05	FPC(VOL/SELECTOR/ECM)		
64	J87-0059-05	FPC(FULL KEY)		F3,K3
65	K2K-0011-00	KNOB(VOL)		
66	K2K-0012-00	KNOB(16CH)		
67	K2K-0013-00	KNOB(2CH)		
68	K2K-0014-00	KNOB(PTT)		
69	K2K-0015-00	BUTTON KNOB(PTT)		
70	S6A-0004-00	ROTARY SWITCH		
71	T0H-0002-00	SPEAKER		
72	T9A-0001-00	ANTENNA ELEMENT(GPS)		
73	T9A-0004-00	ANTENNA ELEMENT(BLUETOOTH)		
74	T9B-0004-00	MIC ELEMENT	(x2)	
75	W09-0971-05	LITHIUM CELL		
76	R31-0692-05	VARIABLE RESISTOR		
A	N09-2438-05	BINDING HEAD SCREW(ANT)	(x2)	
B	N09-2441-25	SPECIAL SCREW(OP BOARD)	(x4)	
C	N09-6646-05	SPECIAL SCREW(CASE)	(x2)	
D	N14-1011-00	CIRCULAR NUT(VOL)		

△ Symbol No.	Part No.	Part Name	Description	Local
E	N14-1012-00	CIRCULAR NUT(RO-SW)		
F	N83-2005-48	PAN HEAD TAPTITE SCREW(UNIT/FIX)	(x10)	
G	N84-2004-43	PAN HEAD TAPTITE SCREW(TERM-BL(+,-))	(x2)	
-	XC1-0321-81	SERVICE MAIN UNIT		

# Packing materials and accessories parts list

Block No.M2MM



## Packing and accessories

Block No. [M][2][M][M]  
Local

△ Symbol No.	Part No.	Part Name	Description
1	B0K-0002-00	CAP	
2	B5A-0049-00	INSTRUCTION MANUAL	
3	-----	PAMPHLET	
4	G5D-0027-00	PACKING	
5	-----	PROTECTION BAG (60/110/0.07)	
6	-----	PROTECTION BAG (100/250/0.07)	
7	H5A-0012-00	ITEM CARTON CASE	
8	J29-0730-05	BELT CLIP	
9	N08-0571-04	DRESSED SCREW(CAP)	
10	N09-6585-15	SPECIAL SCREW(BELT CLIP)	(x2)
11	H1C-0036-00	PACKING FIXTURE	
12	H1C-0011-00	PACKING FIXTURE	

# Electrical parts list

## MAIN UNIT

XC1-0321-80

**\*Note1 : This part cannot be replaced. Therefore, this part is not supplied as a service part.**

Block No. [0][1]

△ Symbol No.	Part No.	Part Name	Description	Local
IC20	XC61CC5602N-G	IC(MOS-IC)		
IC30	XC6223H331G-G	IC(MOS-IC)		
IC31	XC6209B312D-G	IC(MOS-IC)		
IC32	XC6215B122N-G	IC(MOS-IC)		
IC33	TPS62140RGT	IC(MOS-IC)		
IC34	LXDC2HN18F163	IC(MOS-IC)		
IC35	XC6223D331G-G	IC(MOS-IC)		
IC36	XC6209B502D-G	IC(MOS-IC)		
IC37	BU18TD2WNVX	IC(MOS-IC)		
IC38	BU33TD2WNVX	IC(MOS-IC)		
IC39	NJM2878F4-33	BIPOLAR IC		
IC60	TPS61041DRVR	IC(ANALOGUE)		
IC61	BU33TD2WNVX	IC(MOS-IC)		
IC63	XC6209B502D-G	IC(MOS-IC)		
IC64	XC6209B502D-G	IC(MOS-IC)		
IC65	XC6209B502D-G	IC(MOS-IC)		
IC70	BU7242NUX	IC(MOS-IC)		
IC80	BU30TD2WNVX	IC(MOS-IC)		
IC81	XC6223H331G-G	IC(MOS-IC)		
IC82	XC6209B502D-G	IC(MOS-IC)		
IC100	SKY72310362LF	IC(MOS-IC)		
IC101	OPA170AIDRLR	IC(MOS-IC)		
IC102	BU7242NUX	IC(MOS-IC)		
IC200	SKY72310362LF	IC(MOS-IC)		
IC201	OPA170AIDRLR	IC(MOS-IC)		
IC300	UPC2710TB-A	BIPOLAR IC		
IC360	XC8102AA07-G	IC(MOS-IC)		
IC400	BD7562FVM	IC(MOS-IC)		
IC500	CMY210	IC(MOS-IC)		
IC520	UPG2214TK-A	IC(ANALOGUE)		
IC570	UPG2214TK-A	IC(ANALOGUE)		
IC600	AD9864BCPZRL	IC(MOS-IC)		
IC700	CDC3S04YFF	IC(MOS-IC)		
IC701	XC8102AA07-G	IC(MOS-IC)		
IC702	-----	Note 1		
IC703	-----	Note 1		
IC704	S-80135ANPF-G	IC(MOS-IC)		
IC705	-----	Note 1		
IC706	TC7SZ08FE	IC(MOS-IC)		
IC708	-----	Note 1		
IC709	KXCJ9-1008	IC(MOS-IC)		
IC711	BD11600NUX	IC(MOS-IC)		
IC712	TC7WH14FK-F	IC(MOS-IC)		
IC800	BD1754HFN	IC(MOS-IC)		
IC801	NJW4184U2-05	MOS IC		
IC802	TC7W53FKF	MOS IC		
IC803	TC7SPB9306TUF	IC(MOS-IC)		
IC804	BD11600NUX	IC(MOS-IC)		
IC805	TC7WT126FU-F	IC(MOS-IC)		
IC806	TC7SZ08FE	IC(MOS-IC)		
IC807	TC7SZ08FE	IC(MOS-IC)		
IC850	-----	Note 1		
IC851	-----	Note 1		
IC852	74AVC4TD245GU	IC(MOS-IC)		
IC853	74AVC4TD245GU	IC(MOS-IC)		
IC900	ADS7961SRHB	IC(MOS-IC)		
IC901	DAC124S085CIS	IC(MOS-IC)		
IC902	TLV32AIC3104I	IC(MOS-IC)		
IC903	R2A20178NP	MICROCONTROLLER IC		
IC904	TPA6201A1DRBR	IC(ANALOGUE)		
IC905	TPA6201A1DRBR	IC(ANALOGUE)		
IC906	BD11600NUX	IC(MOS-IC)		
Q20	EMD12	TRANSISTOR		
Q21	SSM6N37FE	FET		
Q22	SSM6N37FE	FET		
Q30	SSM3K15AMFV	FET		

△ Symbol No.	Part No.	Part Name	Description	Local
Q31	KTA2012EP	TRANSISTOR		
Q32	EM6M2	FET		
Q33	EM6M2	FET		
Q70	LTC014EEBFS8	DIGI TRANSISTOR		
Q71	2SB1132(Q,R)	TRANSISTOR		
Q100	EM6M2	FET		
Q101	DSC9A01/T/	TRANSISTOR		
Q110	SSM3J15FS	FET		
Q111	EM6M2	FET		
Q160	MCH3914-H/8/	FET		
Q180	2SC5108F/Y/	TRANSISTOR		
Q181	2SC5108F/Y/	TRANSISTOR		
Q200	EM6M2	FET		
Q201	DSC9A01/T/	TRANSISTOR		
Q210	SSM3J15FS	FET		
Q211	EM6M2	FET		
Q240	MCH3914-H/8/	FET		
Q280	2SC5108F/Y/	TRANSISTOR		
Q281	2SC5108F/Y/	TRANSISTOR		
Q310	2SK3077F	FET		
Q320	RD01MUS1-T113	FET		
Q330	RD07MUS2BT214	FET		
Q390	LSCR523EBFS8	TRANSISTOR		
Q400	LTC023JEBFS8	DIGI TRANSISTOR		
Q401	SSM3K15AMFV	FET		
Q402	SSM3K15AMFV	FET		
Q403	EMD9	TRANSISTOR		
Q404	SSM3J15FS	FET		
Q530	BB506CFS-E	FET		
Q550	BB506CFS-E	FET		
Q570	SSM3J15FS	FET		
Q571	EM6M2	FET		
Q580	2SC5108F/Y/	TRANSISTOR		
Q600	MCH3914-H/8/	FET		
Q601	LTC023JEBFS8	DIGI TRANSISTOR		
Q602	LSCR523EBFS8	TRANSISTOR		
Q660	2SC5066F/O/	TRANSISTOR		
Q670	BF5020W	FET		
Q700	2SC4617/S/	TRANSISTOR		
Q701	SSM3K15AMFV	FET		
Q702	LTC014EEBFS8	DIGI TRANSISTOR		
Q703	SSM6N37FE	FET		
Q800	SSM3K15AMFV	FET		
Q801	EMD9	TRANSISTOR		
Q850	SSM3K15AMFV	FET		
D1	1SR154-400	DIODE		
D2	DA3S101F	MULTIPLE DIODE		
D20	DAN222	MULTIPLE DIODE		
D30	RB520SM-30	DIODE		
D60	DB2J40700	DIODE		
D100	EDZV8.2B	Z DIODE		
D101	1SS400SM	DIODE		
D160	BB565-02V	VARIABLE CAPACITANCE DIODE		
D161	BB664-02V	VARIABLE CAPACITANCE DIODE		
D162	BB664-02V	VARIABLE CAPACITANCE DIODE		
D163	BB664-02V	VARIABLE CAPACITANCE DIODE		
D164	BB664-02V	VARIABLE CAPACITANCE DIODE		
D200	EDZV8.2B	Z DIODE		
D201	1SS400SM	DIODE		
D240	BB565-02V	VARIABLE CAPACITANCE DIODE		
D241	BB664-02V	VARIABLE CAPACITANCE DIODE		
D242	BB664-02V	VARIABLE CAPACITANCE DIODE		
D243	BB664-02V	VARIABLE CAPACITANCE DIODE		
D350	L5208F	DIODE		
D370	RN142S	DIODE		
D371	RN142S	DIODE		
D390	DZ2S056(M)	Z DIODE		
D570	RN262CS	DIODE		
D571	RN262CS	DIODE		
D600	SMV1705-079LF	VARIABLE CAPACITANCE DIODE		
D601	SMV1705-079LF	VARIABLE CAPACITANCE DIODE		
D603	DA3S101F	MULTIPLE DIODE		
D700	RB521CM-30	DIODE		
D701	RB521CM-30	DIODE		
D702	RB521CM-30	DIODE		

△ Symbol No.	Part No.	Part Name	Description	Local	△ Symbol No.	Part No.	Part Name	Description	Local
D703	RB521CM-30	DIODE			C63	CK73HBB1H681K	C CAPACITOR	680PF K	
D704	NSSM038A	LED			C64	CK73EB1H475KM	C CAPACITOR	4.7UF K	
D705	RB521CM-30	DIODE			C65	CK73HB1A105K	C CAPACITOR	1.0UF K	
D800	RB521CM-30	DIODE			C66	CK73HB1A105K	C CAPACITOR	1.0UF K	
D801	RB521CM-30	DIODE			C69	CK73GXR1C225K	C CAPACITOR	2.2UF K	
D802	RB521CM-30	DIODE			C70	CK73GB1H105K	C CAPACITOR	1.0UF K	
D803	RB521CM-30	DIODE			C71	CK73GB1H105K	C CAPACITOR	1.0UF K	
D804	RB521CM-30	DIODE			C72	CK73GXR1C225K	C CAPACITOR	2.2UF K	
D805	DZ5S068D	Z DIODE			C73	CK73GB1E105K	C CAPACITOR	1.0UF K	
D806	DZ5S068D	Z DIODE			C74	CK73GXR1C225K	C CAPACITOR	2.2UF K	
D807	DAN222	MULTIPLE DIODE			C75	C93-1959-05	C CAPACITOR	0.10UF K	
D808	DZ5S068D	Z DIODE			C76	C93-1959-05	C CAPACITOR	0.10UF K	
D850	RN262CS	DIODE			C77	CC73HCH1H101J	C CAPACITOR	100PF J	
D851	RN262CS	DIODE			C78	CK73HBB1H471K	C CAPACITOR	470PF K	
D900	DZ2S068M	Z DIODE			C79	CK73GXR1C225K	C CAPACITOR	2.2UF K	
D901	DZ2S068M	Z DIODE			C80	CK73HB1A105K	C CAPACITOR	1.0UF K	
D902	RB521CM-30	DIODE			C81	CK73HB1A105K	C CAPACITOR	1.0UF K	
D903	DAN222	MULTIPLE DIODE			C82	CK73HB1A105K	C CAPACITOR	1.0UF K	
D904	RB521CM-30	DIODE			C83	CK73GB1E105K	C CAPACITOR	1.0UF K	
D905	RB521CM-30	DIODE			C84	CK73GB1H105K	C CAPACITOR	1.0UF K	
D906	RB521CM-30	DIODE			C85	CK73GXR1C225K	C CAPACITOR	2.2UF K	
D907	RB521CM-30	DIODE			C86	CK73HBB1H681K	C CAPACITOR	680PF K	
D910	SPC10501A01	VARIATOR			C87	CK73HB1A105K	C CAPACITOR	1.0UF K	
D911	SPC10501A01	VARIATOR			C90	CK73HB1E104K	C CAPACITOR	0.10UF K	
					C92	CK73FB1C106K	C CAPACITOR	10UF K	
C1	CK73HBB1H102K	C CAPACITOR	1000PF K		C93	C93-1967-05	C CAPACITOR	470PF K	
C2	CC73HCH1H220J	C CAPACITOR	22PF J		C94	C93-1967-05	C CAPACITOR	470PF K	
C3	CK73HBB1H682K	C CAPACITOR	6800PF K		C101	CC73HCH1H100B	C CAPACITOR	10PF B	
C4	CC73HCH1H220J	C CAPACITOR	22PF J		C102	CK73HB1H103K	C CAPACITOR	0.010UF K	
C5	CC73HCH1H101J	C CAPACITOR	100PF J		C103	CK73HB1H103K	C CAPACITOR	0.010UF K	
C7	C93-1967-05	C CAPACITOR	470PF K		C105	CK73HB1H103K	C CAPACITOR	0.010UF K	
C8	C93-1967-05	C CAPACITOR	470PF K		C107	CC73JCH1H101J	C CAPACITOR	100PF J	
C9	C93-1967-05	C CAPACITOR	470PF K		C108	CC73JCH1H101J	C CAPACITOR	100PF J	
C10	C93-1967-05	C CAPACITOR	470PF K		C110	CC73JCH1H101J	C CAPACITOR	100PF J	
C11	C93-1967-05	C CAPACITOR	470PF K		C111	CC73JCH1H101J	C CAPACITOR	100PF J	
C12	CK73HBB1H682K	C CAPACITOR	6800PF K		C112	C93-1959-05	C CAPACITOR	0.10UF K	
C13	C93-1967-05	C CAPACITOR	470PF K		C113	CC73JCH1H101J	C CAPACITOR	100PF J	
C14	C93-1967-05	C CAPACITOR	470PF K		C114	CC73HCH1H101J	C CAPACITOR	100PF J	
C15	C93-1967-05	C CAPACITOR	470PF K		C115	C93-1959-05	C CAPACITOR	0.10UF K	
C16	C93-1967-05	C CAPACITOR	470PF K		C116	CC73JCH1H101J	C CAPACITOR	100PF J	
C17	C93-1967-05	C CAPACITOR	470PF K		C117	CK73HBB1H472K	C CAPACITOR	4700PF K	
C18	C93-1967-05	C CAPACITOR	470PF K		C118	CK73HB1H103K	C CAPACITOR	0.010UF K	
C19	C93-1967-05	C CAPACITOR	470PF K		C119	CC73HCH1H330G	C CAPACITOR	33PF G	
C20	CK73HB1E104K	C CAPACITOR	0.10UF K		C120	CC73JCH1H101J	C CAPACITOR	100PF J	
C21	CK73HBB1H471K	C CAPACITOR	470PF K		C121	CK73GB1H105K	C CAPACITOR	1.0UF K	
C22	CC73JCH1H101J	C CAPACITOR	100PF J		C122	CC730AD1H104J	C CAPACITOR	100PF J	
C23	C93-1959-05	C CAPACITOR	0.10UF K		C123	CC73JCH1H101J	C CAPACITOR	100PF J	
C25	CK73FB1C106K	C CAPACITOR	10UF K		C124	C93-1959-05	C CAPACITOR	0.10UF K	
C30	CK73GB1E105K	C CAPACITOR	1.0UF K		C125	CC73JCH1H101J	C CAPACITOR	100PF J	
C31	CK73HB1A105K	C CAPACITOR	1.0UF K		C126	C93-1967-05	C CAPACITOR	470PF K	
C32	CK73GB1H105K	C CAPACITOR	1.0UF K		C127	CS77BP1A4R7M	C CAPACITOR	4.7UF M	
C33	CK73GB1E105K	C CAPACITOR	1.0UF K		C128	C93-1967-05	C CAPACITOR	470PF K	
C34	CK73HB1A105K	C CAPACITOR	1.0UF K		C129	CK73HB1A105K	C CAPACITOR	1.0UF K	
C35	CK73HB1A105K	C CAPACITOR	1.0UF K		C130	CK73HB1A105K	C CAPACITOR	1.0UF K	
C36	CK73FB1C106K	C CAPACITOR	10UF K		C140	CK73FB1H154K	C CAPACITOR	0.15UF K	
C37	CK73FB1C106K	C CAPACITOR	10UF K		C141	CS77ABE1D100M	TA E CAPACITOR	10UF M	
C38	CK73HBB1H332K	C CAPACITOR	3300PF K		C142	CK73FB1H473K	C CAPACITOR	0.047UF K	
C39	CK73HB1E104K	C CAPACITOR	0.10UF K		C160	CK73HB1H103K	C CAPACITOR	0.010UF K	
C41	CK73FXR0J226M	C CAPACITOR	22UF M		C161	CK73HBB1H471K	C CAPACITOR	470PF K	
C42	CK73FXR1E475K	C CAPACITOR	4.7UF K		C162	CC73HCH1H101J	C CAPACITOR	100PF J	
C43	CK73GB0J106K	C CAPACITOR	10UF K		C163	CC73HCH1H180G	C CAPACITOR	18PF G	
C44	CK73HB1A105K	C CAPACITOR	1.0UF K		C164	CC73HCH1H030B	C CAPACITOR	3.0PF B	
C45	CK73GB1E105K	C CAPACITOR	1.0UF K		C165	CC73HCH1H0R5B	C CAPACITOR	0.5PF B	
C46	CK73GB1H105K	C CAPACITOR	1.0UF K		C166	CC73HCH1H050B	C CAPACITOR	5.0PF B	
C47	C93-1967-05	C CAPACITOR	470PF K		C167	CC73HCH1H070B	C CAPACITOR	7.0PF B	
C48	CK73GXR1C225K	C CAPACITOR	2.2UF K		C168	CC73HCH1H060B	C CAPACITOR	6.0PF B	
C49	CK73HBB1H682K	C CAPACITOR	6800PF K		C169	CK73HBB1H471K	C CAPACITOR	470PF K	
C50	CS77PBL1A470M	C CAPACITOR	47UF M		C170	CC73HCH1H0R5B	C CAPACITOR	0.5PF B	
C51	CK73GB0J106K	C CAPACITOR	10UF K		C171	CC73JCH1H101J	C CAPACITOR	100PF J	
C52	CK73HB1A474K	C CAPACITOR	0.47UF K		C181	CC73HCH1H080B	C CAPACITOR	8.0PF B	
C53	CK73HB1A474K	C CAPACITOR	0.47UF K		C182	CC73HCH1H101J	C CAPACITOR	100PF J	
C54	CK73HB1A474K	C CAPACITOR	0.47UF K		C183	CC73HCH1H070B	C CAPACITOR	7.0PF B	
C55	CK73HB1A474K	C CAPACITOR	0.47UF K		C184	CC73HCH1H101J	C CAPACITOR	100PF J	
C56	CK73HB1A105K	C CAPACITOR	1.0UF K		C186	CC73HCH1H101J	C CAPACITOR	100PF J	
C57	CK73HB1A105K	C CAPACITOR	1.0UF K		C187	CC73HCH1H100B	C CAPACITOR	10PF B	
C60	CK73GB1A335K	C CAPACITOR	3.3UF K		C188	CC73HCH1H080B	C CAPACITOR	8.0PF B	
C61	CK73GB1A335K	C CAPACITOR	3.3UF K		C189	CC73HCH1H070B	C CAPACITOR	7.0PF B	
C62	CK73FXR1E475K	C CAPACITOR	4.7UF K		C190	CC73HCH1H100B	C CAPACITOR	10PF B	

△ Symbol No.	Part No.	Part Name	Description	Local	△ Symbol No.	Part No.	Part Name	Description	Local
C191	CC73HCH1H050B	C CAPACITOR	5.0PF B		C340	C93-0974-05	C CAPACITOR	3.3PF G	
C192	CC73HCH1H1R5B	C CAPACITOR	1.5PF B		C341	CK73GXR1H104K	C CAPACITOR	0.1UF K	
C200	CK73HB1H103K	C CAPACITOR	0.010UF K		C342	C93-0939-05	C CAPACITOR	15PF G	
C203	CC73HCH1H100B	C CAPACITOR	10PF B		C343	CK73HB1H103K	C CAPACITOR	0.010UF K	
C204	CK73HB1H103K	C CAPACITOR	0.010UF K		C344	C93-0978-05	C CAPACITOR	4.3PF B	
C206	CK73HB1H103K	C CAPACITOR	0.010UF K		C345	C93-0978-05	C CAPACITOR	4.3PF B	
C207	CC73JCH1H101J	C CAPACITOR	100PF J		C347	CC73GCH1H101J	C CAPACITOR	100PF J	
C208	CC73JCH1H101J	C CAPACITOR	100PF J		C350	CC73HCH1H080B	C CAPACITOR	8.0PF B	
C209	CC73JCH1H101J	C CAPACITOR	100PF J		C352	CC73GCH1H101J	C CAPACITOR	100PF J	
C210	CC73JCH1H101J	C CAPACITOR	100PF J		C353	CC73GCH1H1R5B	C CAPACITOR	1.5PF B	
C211	C93-1959-05	C CAPACITOR	0.10UF K		C354	CC73GCH1H010B	C CAPACITOR	1.0PF B	
C212	CC73JCH1H101J	C CAPACITOR	100PF J		C355	CC73GCH1H030B	C CAPACITOR	3.0PF B	
C213	CC73HCH1H101J	C CAPACITOR	100PF J		C356	CC73GCH1H010B	C CAPACITOR	1.0PF B	
C214	C93-1959-05	C CAPACITOR	0.10UF K		C357	CC73GCH1H050B	C CAPACITOR	5.0PF B	
C215	CC73JCH1H101J	C CAPACITOR	100PF J		C359	CC73GCH1H010B	C CAPACITOR	1.0PF B	
C216	CK73HBB1H472K	C CAPACITOR	4700PF K		C360	CC73HCH1H101J	C CAPACITOR	100PF J	
C217	CK73HB1H103K	C CAPACITOR	0.010UF K		C361	CC73JCH1H101J	C CAPACITOR	100PF J	
C218	CC73HCH1H330G	C CAPACITOR	33PF G		C362	CC73JCH1H101J	C CAPACITOR	100PF J	
C219	CC73JCH1H101J	C CAPACITOR	100PF J		C370	CC73HCH1H020B	C CAPACITOR	2.0PF B	
C220	CK73GB1H105K	C CAPACITOR	1.0UF K		C372	CC73GCH1H101J	C CAPACITOR	100PF J	
C221	CC730AD1H104J	C CAPACITOR	100PF J		C374	CC73HCH1H220J	C CAPACITOR	22PF J	
C222	C93-1967-05	C CAPACITOR	470PF K		C375	CC73HCH1H220J	C CAPACITOR	22PF J	
C223	CS77BP1A4R7M	C CAPACITOR	4.7UF M		C390	C93-1967-05	C CAPACITOR	470PF K	
C224	C93-1967-05	C CAPACITOR	470PF K		C391	CC73JCH1H101J	C CAPACITOR	100PF J	
C225	CK73HB1H103K	C CAPACITOR	0.010UF K		C392	CC73HCH1H101J	C CAPACITOR	100PF J	
C226	CK73HB1E104K	C CAPACITOR	0.10UF K		C400	CK73HBB1H471K	C CAPACITOR	470PF K	
C227	CK73HB1E104K	C CAPACITOR	0.10UF K		C401	CC73HCH1H220J	C CAPACITOR	22PF J	
C228	CK73HB1E224K	C CAPACITOR	0.22UF K		C402	CK73GB1C563K	C CAPACITOR	0.056UF K	
C240	CK73FBB1H154K	C CAPACITOR	0.15UF K		C404	CK73HBB1H471K	C CAPACITOR	470PF K	
C241	CS77ABE1D100M	TA E CAPACITOR	100UF M		C408	CK73HBB1H152K	C CAPACITOR	1500PF K	
C242	CK73FB1H473K	C CAPACITOR	0.047UF K		C409	CK73HBB1H152K	C CAPACITOR	1500PF K	
C243	CK73HB1H103K	C CAPACITOR	0.010UF K		C410	CK73HBB1H471K	C CAPACITOR	470PF K	
C244	CK73HBB1H471K	C CAPACITOR	470PF K		C412	CC73JCH1H101J	C CAPACITOR	100PF J	
C245	CK73HBB1H471K	C CAPACITOR	470PF K		C413	CC73JCH1H101J	C CAPACITOR	100PF J	
C246	CC73HCH1H180G	C CAPACITOR	18PF G		C414	CC73HCH1H220J	C CAPACITOR	22PF J	
C247	CC73HCH1H040B	C CAPACITOR	4.0PF B		C500	CK73HB1A105K	C CAPACITOR	1.0UF K	
C248	CC73HCH1H080B	C CAPACITOR	8.0PF B		C501	CK73HB1H103K	C CAPACITOR	0.010UF K	
C249	CC73HCH1H060B	C CAPACITOR	6.0PF B		C502	CC73HCH1H180G	C CAPACITOR	18PF G	
C250	CC73HCH1H050B	C CAPACITOR	5.0PF B		C503	C93-1953-05	C CAPACITOR	0.010UF K	
C251	CK73HBB1H471K	C CAPACITOR	470PF K		C504	CC73JCH1H101J	C CAPACITOR	100PF J	
C252	CC73HCH1H0R5B	C CAPACITOR	0.5PF B		C505	CK73HB1H103K	C CAPACITOR	0.010UF K	
C253	CK73HB1A105K	C CAPACITOR	1.0UF K		C506	CC73HCH1H330G	C CAPACITOR	33PF G	
C281	CC73HCH1H090B	C CAPACITOR	9.0PF B		C507	CC73GCH1H040B	C CAPACITOR	4.0PF B	
C282	CC73HCH1H101J	C CAPACITOR	100PF J		C508	CK73HB1H103K	C CAPACITOR	0.010UF K	
C283	CC73HCH1H050B	C CAPACITOR	5.0PF B		C509	CC73HCH1H101J	C CAPACITOR	100PF J	
C285	CC73HCH1H101J	C CAPACITOR	100PF J		C510	CC73HCH1H220G	C CAPACITOR	22PF G	
C286	CC73HCH1H101J	C CAPACITOR	100PF J		C511	CC73HCH1H040B	C CAPACITOR	4.0PF B	
C287	CC73HCH1H090B	C CAPACITOR	9.0PF B		C520	CC73HCH1H101J	C CAPACITOR	100PF J	
C288	CC73HCH1H020B	C CAPACITOR	2.0PF B		C522	CC73JCH1H101J	C CAPACITOR	100PF J	
C291	CC73HCH1H050B	C CAPACITOR	5.0PF B		C523	CC73JCH1H101J	C CAPACITOR	100PF J	
C292	CC73HCH1H1R5B	C CAPACITOR	1.5PF B		C530	CC73HCH1H060B	C CAPACITOR	6.0PF B	
C300	CK73HBB1H102K	C CAPACITOR	1000PF K		C531	CC73HCH1H151J	C CAPACITOR	150PF J	
C301	CC73HCH1H100B	C CAPACITOR	10PF B		C533	CK73HB1E104K	C CAPACITOR	0.10UF K	
C302	CC73HCH1H0R5B	C CAPACITOR	0.5PF B		C534	CC73HCH1H030B	C CAPACITOR	3.0PF B	
C303	CC73HCH1H100B	C CAPACITOR	10PF B		C535	CC73HCH1H010B	C CAPACITOR	1.0PF B	
C304	CK73HBB1H102K	C CAPACITOR	1000PF K		C536	CC73JCH1H101J	C CAPACITOR	100PF J	
C305	CK73HBB1H102K	C CAPACITOR	1000PF K		C537	C93-1953-05	C CAPACITOR	0.010UF K	
C306	CK73HBB1H102K	C CAPACITOR	1000PF K		C538	CC73HCH1H101J	C CAPACITOR	100PF J	
C307	CC73JCH1H101J	C CAPACITOR	100PF J		C539	CC73HCH1H101J	C CAPACITOR	100PF J	
C313	CC73HCH1H101J	C CAPACITOR	100PF J		C540	CC73HCH1H101J	C CAPACITOR	100PF J	
C314	CC73HCH1H030B	C CAPACITOR	3.0PF B		C543	CC73HCH1H101J	C CAPACITOR	100PF J	
C315	CC73JCH1H101J	C CAPACITOR	100PF J		C544	CC73HCH1H101J	C CAPACITOR	100PF J	
C317	C93-1967-05	C CAPACITOR	470PF K		C550	CC73HCH1H040B	C CAPACITOR	4.0PF B	
C318	CC73HCH1H040B	C CAPACITOR	4.0PF B		C551	CC73HCH1H151J	C CAPACITOR	150PF J	
C320	CC73HCH1H101J	C CAPACITOR	100PF J		C553	CK73HB1E104K	C CAPACITOR	0.10UF K	
C321	CK73HB1E104K	C CAPACITOR	0.10UF K		C554	CC73HCH1H020B	C CAPACITOR	2.0PF B	
C322	CC73HCH1H101J	C CAPACITOR	100PF J		C555	CC73HCH1H1R5B	C CAPACITOR	1.5PF B	
C324	CC73HCH1H100B	C CAPACITOR	10PF B		C556	CC73JCH1H101J	C CAPACITOR	100PF J	
C326	CC73HCH1H101J	C CAPACITOR	100PF J		C557	C93-1953-05	C CAPACITOR	0.010UF K	
C328	CC73HCH1H101J	C CAPACITOR	100PF J		C558	CC73HCH1H101J	C CAPACITOR	100PF J	
C331	CC73GCH1H101J	C CAPACITOR	100PF J		C559	CC73HCH1H101J	C CAPACITOR	100PF J	
C332	CC73HCH1H150J	C CAPACITOR	15PF J		C560	CC73HCH1H101J	C CAPACITOR	100PF J	
C334	CC73HCH1H101J	C CAPACITOR	100PF J		C562	CC73HCH1H040B	C CAPACITOR	4.0PF B	
C335	CC73HCH1H180G	C CAPACITOR	18PF G		C563	CC73HCH1H101J	C CAPACITOR	100PF J	
C336	C93-0939-05	C CAPACITOR	15PF G		C570	CC73JCH1H101J	C CAPACITOR	100PF J	
C337	C93-0878-05	C CAPACITOR	2.0PF B		C571	CC73JCH1H101J	C CAPACITOR	100PF J	
C338	CC73HCH1H151J	C CAPACITOR	150PF J		C572	CC73HCH1H101J	C CAPACITOR	100PF J	
C339	CC73HCH1H101J	C CAPACITOR	100PF J		C573	CC73JCH1H101J	C CAPACITOR	100PF J	

△ Symbol No.	Part No.	Part Name	Description	Local	△ Symbol No.	Part No.	Part Name	Description	Local
C574	C93-1959-05	C CAPACITOR	0.10UF K		C673	CC73JCH1H101J	C CAPACITOR	100PF J	
C580	CC73HCH1H180G	C CAPACITOR	18PF G		C674	CK73HBB1H102K	C CAPACITOR	1000PF K	
C581	CC73HCH1H100B	C CAPACITOR	10PF B		C675	CK73HB1H103K	C CAPACITOR	0.010UF K	
C582	CC73HCH1H050B	C CAPACITOR	5.0PF B		C676	CC73HCH1H030B	C CAPACITOR	3.0PF B	
C583	CC73HCH1H050B	C CAPACITOR	5.0PF B		C677	CC73HCH1H040B	C CAPACITOR	4.0PF B	
C584	CC73HCH1H050B	C CAPACITOR	5.0PF B		C679	CC73HCH1H180G	C CAPACITOR	18PF G	
C585	CC73HCH1H030B	C CAPACITOR	3.0PF B		C700	CK73HB1H103K	C CAPACITOR	0.010UF K	
C586	CC73HCH1H101J	C CAPACITOR	100PF J		C701	CC73JCH1H101J	C CAPACITOR	100PF J	
C587	CC73HCH1H101J	C CAPACITOR	100PF J		C702	C93-1953-05	C CAPACITOR	0.010UF K	
C589	CC73HCH1H101J	C CAPACITOR	100PF J		C703	CK73HB1H103K	C CAPACITOR	0.010UF K	
C590	CC73HCH1H020B	C CAPACITOR	2.0PF B		C704	CC73JCH1H101J	C CAPACITOR	100PF J	
C591	CC73HCH1H090B	C CAPACITOR	9.0PF B		C705	CK73HB1H103K	C CAPACITOR	0.010UF K	
C592	CC73HCH1H040B	C CAPACITOR	4.0PF B		C706	C93-1953-05	C CAPACITOR	0.010UF K	
C593	CC73JCH1H101J	C CAPACITOR	100PF J		C707	CC73HCH1H100B	C CAPACITOR	10PF B	
C594	CC73JCH1H101J	C CAPACITOR	100PF J		C708	CK73HB1H103K	C CAPACITOR	0.010UF K	
C595	CC73JCH1H101J	C CAPACITOR	100PF J		C709	C93-1953-05	C CAPACITOR	0.010UF K	
C596	CC73JCH1H101J	C CAPACITOR	100PF J		C710	CK73HB1A105K	C CAPACITOR	1.0UF K	
C600	CC73JCH1H101J	C CAPACITOR	100PF J		C711	CK73HB1A105K	C CAPACITOR	1.0UF K	
C601	CC73JCH1H101J	C CAPACITOR	100PF J		C712	C93-1959-05	C CAPACITOR	0.10UF K	
C602	CC73JCH1H101J	C CAPACITOR	100PF J		C713	C93-1959-05	C CAPACITOR	0.10UF K	
C603	CK73HB1E104K	C CAPACITOR	0.10UF K		C714	C93-1959-05	C CAPACITOR	0.10UF K	
C604	CC73JCH1H101J	C CAPACITOR	100PF J		C715	CC73HCH1H180G	C CAPACITOR	18PF G	
C605	CC73JCH1H101J	C CAPACITOR	100PF J		C716	CC73HCH1H180G	C CAPACITOR	18PF G	
C606	CC73JCH1H101J	C CAPACITOR	100PF J		C717	CK73HB1E224K	C CAPACITOR	0.22UF K	
C607	CC73JCH1H101J	C CAPACITOR	100PF J		C718	C93-1959-05	C CAPACITOR	0.10UF K	
C608	CC73HCH1H120G	C CAPACITOR	12PF G		C719	C93-1959-05	C CAPACITOR	0.10UF K	
C609	CK73HB1E562K	C CAPACITOR	5600PF K		C720	C93-1959-05	C CAPACITOR	0.10UF K	
C610	C93-1959-05	C CAPACITOR	0.10UF K		C721	C93-1959-05	C CAPACITOR	0.10UF K	
C611	CC73HCH1H030B	C CAPACITOR	3.0PF B		C722	CC73JCH1H101J	C CAPACITOR	100PF J	
C612	CK73HB1E224K	C CAPACITOR	0.22UF K		C723	C93-1959-05	C CAPACITOR	0.10UF K	
C613	C93-1959-05	C CAPACITOR	0.10UF K		C724	CK73FXR0J226M	C CAPACITOR	22UF M	
C614	CK73HB1H123K	C CAPACITOR	0.012UF K		C725	CK73GB0J106K	C CAPACITOR	10UF K	
C615	CK73HB1E104K	C CAPACITOR	0.10UF K		C726	C93-1959-05	C CAPACITOR	0.10UF K	
C616	CC73HCH1H330G	C CAPACITOR	33PF G		C727	C93-1959-05	C CAPACITOR	0.10UF K	
C617	CC73HCH1H330G	C CAPACITOR	33PF G		C728	C93-1959-05	C CAPACITOR	0.10UF K	
C618	C93-1959-05	C CAPACITOR	0.10UF K		C729	C93-1959-05	C CAPACITOR	0.10UF K	
C619	CK73HB1A105K	C CAPACITOR	1.0UF K		C730	C93-1959-05	C CAPACITOR	0.10UF K	
C620	C93-1953-05	C CAPACITOR	0.010UF K		C731	CC73JCH1H101J	C CAPACITOR	100PF J	
C621	C93-1953-05	C CAPACITOR	0.010UF K		C732	C93-1959-05	C CAPACITOR	0.10UF K	
C622	CK73HB1H103K	C CAPACITOR	0.010UF K		C733	CC73JCH1H101J	C CAPACITOR	100PF J	
C623	CC73HCH1H030B	C CAPACITOR	3.0PF B		C734	CK73GB0J106K	C CAPACITOR	10UF K	
C624	CK73HBB1H102K	C CAPACITOR	1000PF K		C735	CK73GB0J106K	C CAPACITOR	10UF K	
C625	C93-1959-05	C CAPACITOR	0.10UF K		C736	C93-1959-05	C CAPACITOR	0.10UF K	
C626	CC73HCH1H680J	C CAPACITOR	68PF J		C737	C93-1959-05	C CAPACITOR	0.10UF K	
C627	CK73HB1E104K	C CAPACITOR	0.10UF K		C738	C93-1959-05	C CAPACITOR	0.10UF K	
C628	C93-1953-05	C CAPACITOR	0.010UF K		C739	C93-1959-05	C CAPACITOR	0.10UF K	
C629	C93-1959-05	C CAPACITOR	0.10UF K		C740	CC73JCH1H101J	C CAPACITOR	100PF J	
C630	C93-1959-05	C CAPACITOR	0.10UF K		C741	C93-1959-05	C CAPACITOR	0.10UF K	
C631	C93-1959-05	C CAPACITOR	0.10UF K		C742	CC73JCH1H101J	C CAPACITOR	100PF J	
C632	C93-1953-05	C CAPACITOR	0.010UF K		C743	CK73GB0J106K	C CAPACITOR	10UF K	
C633	C93-1959-05	C CAPACITOR	0.10UF K		C744	CK73GB0J106K	C CAPACITOR	10UF K	
C634	CK73HB1A105K	C CAPACITOR	1.0UF K		C745	C93-1959-05	C CAPACITOR	0.10UF K	
C635	CK73FXR1E475K	C CAPACITOR	4.7UF K		C746	CK73GB0J106K	C CAPACITOR	10UF K	
C636	C93-1959-05	C CAPACITOR	0.10UF K		C747	C93-1959-05	C CAPACITOR	0.10UF K	
C637	CK73HB1E104K	C CAPACITOR	0.10UF K		C748	CK73GB0J106K	C CAPACITOR	10UF K	
C638	CK73HB1H103K	C CAPACITOR	0.010UF K		C749	C93-1959-05	C CAPACITOR	0.10UF K	
C639	C93-1969-05	C CAPACITOR	1000PF K		C750	C93-1959-05	C CAPACITOR	0.10UF K	
C640	CC73HCH1H101J	C CAPACITOR	100PF J		C751	CK73GB0J106K	C CAPACITOR	10UF K	
C641	CC73HCH1H101J	C CAPACITOR	100PF J		C752	C93-1959-05	C CAPACITOR	0.10UF K	
C642	CC73JCH1H101J	C CAPACITOR	100PF J		C753	C93-1959-05	C CAPACITOR	0.10UF K	
C643	C93-1953-05	C CAPACITOR	0.010UF K		C754	C93-1959-05	C CAPACITOR	0.10UF K	
C644	CC73HCH1H151J	C CAPACITOR	150PF J		C755	C93-1959-05	C CAPACITOR	0.10UF K	
C645	CC73HCH1H100B	C CAPACITOR	10PF B		C756	C93-1959-05	C CAPACITOR	0.10UF K	
C646	CC73JCH1H101J	C CAPACITOR	100PF J		C757	CC73JCH1H101J	C CAPACITOR	100PF J	
C647	C93-1959-05	C CAPACITOR	0.10UF K		C758	C93-1959-05	C CAPACITOR	0.10UF K	
C648	CC73HCH1H220J	C CAPACITOR	22PF J		C759	C93-1959-05	C CAPACITOR	0.10UF K	
C649	C93-1959-05	C CAPACITOR	0.10UF K		C760	C93-1959-05	C CAPACITOR	0.10UF K	
C650	CC73HCH1H100B	C CAPACITOR	1000PF B		C761	C93-1959-05	C CAPACITOR	0.10UF K	
C651	CC73HCH1H101J	C CAPACITOR	100PF J		C762	C93-1959-05	C CAPACITOR	0.10UF K	
C652	C93-1959-05	C CAPACITOR	0.10UF K		C763	C93-1959-05	C CAPACITOR	0.10UF K	
C660	CC73HCH1H330G	C CAPACITOR	33PF G		C764	CK73FXR0J226M	C CAPACITOR	22UF M	
C661	CC73JCH1H101J	C CAPACITOR	100PF J		C765	C93-1959-05	C CAPACITOR	0.10UF K	
C662	C93-1953-05	C CAPACITOR	0.010UF K		C766	C93-1959-05	C CAPACITOR	0.10UF K	
C663	CC73HCH1H070B	C CAPACITOR	7.0PF B		C767	C93-1959-05	C CAPACITOR	0.10UF K	
C664	CC73HCH1H020B	C CAPACITOR	2.0PF B		C768	C93-1959-05	C CAPACITOR	0.10UF K	
C670	CK73HB1H103K	C CAPACITOR	0.010UF K		C769	C93-1959-05	C CAPACITOR	0.10UF K	
C671	C93-1953-05	C CAPACITOR	0.010UF K		C770	C93-1959-05	C CAPACITOR	0.10UF K	
C672	CC73HCH1H090B	C CAPACITOR	9.0PF B		C771	C93-1959-05	C CAPACITOR	0.10UF K	

△ Symbol No.	Part No.	Part Name	Description	Local	△ Symbol No.	Part No.	Part Name	Description	Local
C772	C93-1959-05	C CAPACITOR	0.10UF K		C857	C93-1959-05	C CAPACITOR	0.10UF K	
C773	CK73HB1A105K	C CAPACITOR	1.0UF K		C858	C93-1959-05	C CAPACITOR	0.10UF K	
C774	C93-1959-05	C CAPACITOR	0.10UF K		C859	CC73HCH1H180G	C CAPACITOR	18PF G	
C775	CC73JCH1H101J	C CAPACITOR	100PF J		C860	CC73HCH1H180G	C CAPACITOR	18PF G	
C776	CK73HB1H103K	C CAPACITOR	0.010UF K		C861	CK73HB1A105K	C CAPACITOR	1.0UF K	
C777	C93-1953-05	C CAPACITOR	0.010UF K		C862	CK73HB1A105K	C CAPACITOR	1.0UF K	
C778	C93-1959-05	C CAPACITOR	0.10UF K		C863	C93-1959-05	C CAPACITOR	0.10UF K	
C779	C93-1959-05	C CAPACITOR	0.10UF K		C864	C93-1959-05	C CAPACITOR	0.10UF K	
C780	CK73HB1A105K	C CAPACITOR	1.0UF K		C865	C93-1959-05	C CAPACITOR	0.10UF K	
C782	C93-1959-05	C CAPACITOR	0.10UF K		C866	CC73HCH1H220J	C CAPACITOR	22PF J	
C783	CK73HB1H103K	C CAPACITOR	0.010UF K		C867	CC73HCH1H2R5B	C CAPACITOR	2.5PF B	
C784	CK73HB1E104K	C CAPACITOR	0.10UF K		C868	CK73HB1A105K	C CAPACITOR	1.0UF K	
C786	C93-1959-05	C CAPACITOR	0.10UF K		C869	C93-1959-05	C CAPACITOR	0.10UF K	
C787	C93-1959-05	C CAPACITOR	0.10UF K		C870	C93-1959-05	C CAPACITOR	0.10UF K	
C788	CK73HBB1H471K	C CAPACITOR	470PF K		C871	C93-1959-05	C CAPACITOR	0.10UF K	
C789	C93-1967-05	C CAPACITOR	470PF J		C872	C93-1959-05	C CAPACITOR	0.10UF K	
C790	CC73JCH1H101J	C CAPACITOR	100PF J		C873	CC73HCH1H220J	C CAPACITOR	22PF J	
C791	CC73JCH1H101J	C CAPACITOR	100PF J		C874	CC73HCH1H121J	C CAPACITOR	120PF J	
C792	CC73JCH1H101J	C CAPACITOR	100PF J		C875	C93-1959-05	C CAPACITOR	0.10UF K	
C793	CC73JCH1H101J	C CAPACITOR	100PF J		C876	CC73HCH1H180G	C CAPACITOR	18PF G	
C795	CC73JCH1H101J	C CAPACITOR	100PF J		C877	CK73HBB1H102K	C CAPACITOR	1000PF K	
C796	CK73HB1E104K	C CAPACITOR	0.10UF K		C879	CC73HCH1H121J	C CAPACITOR	120PF J	
C797	CC73JCH1H101J	C CAPACITOR	100PF J		C880	CC73HCH1H1R5B	C CAPACITOR	1.5PF B	
C798	CC73JCH1H101J	C CAPACITOR	100PF J		C881	CC73HCH1H010B	C CAPACITOR	1.0PF B	
C799	CC73JCH1H101J	C CAPACITOR	100PF J		C882	CC73HCH1H1R5B	C CAPACITOR	1.5PF B	
C800	CK73HB1A105K	C CAPACITOR	1.0UF K		C883	CC73HCH1H020B	C CAPACITOR	2.0PF B	
C801	C93-1959-05	C CAPACITOR	0.10UF K		C884	C93-1959-05	C CAPACITOR	0.10UF K	
C802	CK73HB1A105K	C CAPACITOR	1.0UF K		C885	C93-1959-05	C CAPACITOR	0.10UF K	
C803	CK73HB1A105K	C CAPACITOR	1.0UF K		C887	C93-1953-05	C CAPACITOR	0.010UF K	
C804	C93-1969-05	C CAPACITOR	1000PF K		C889	CC73HCH1H470J	C CAPACITOR	47PF J	
C805	CK73HB1A105K	C CAPACITOR	1.0UF K		C890	C93-1959-05	C CAPACITOR	0.10UF K	
C806	CK73HBB1H681K	C CAPACITOR	680PF K		C891	C93-1959-05	C CAPACITOR	0.10UF K	
C807	C93-1959-05	C CAPACITOR	0.10UF K		C892	CC73JCH1H101J	C CAPACITOR	100PF J	
C808	CK73HB1E104K	C CAPACITOR	0.10UF K		C893	C93-1967-05	C CAPACITOR	470PF K	
C809	C93-1967-05	C CAPACITOR	470PF K		C894	C93-1953-05	C CAPACITOR	0.010UF K	
C810	C93-1967-05	C CAPACITOR	470PF K		C895	CC73HCH1H0R5B	C CAPACITOR	0.5PF B	
C811	C93-1967-05	C CAPACITOR	470PF K		C896	CC73JCH1H101J	C CAPACITOR	100PF J	
C812	C93-1967-05	C CAPACITOR	470PF K		C897	CC73JCH1H101J	C CAPACITOR	100PF J	
C813	C93-1967-05	C CAPACITOR	470PF K		C898	CC73JCH1H101J	C CAPACITOR	100PF J	
C814	C93-1967-05	C CAPACITOR	470PF K		C899	C93-1967-05	C CAPACITOR	470PF K	
C815	C93-1967-05	C CAPACITOR	470PF K		C900	CK73HB1A105K	C CAPACITOR	1.0UF K	
C816	C93-1967-05	C CAPACITOR	470PF K		C901	C93-1959-05	C CAPACITOR	0.10UF K	
C817	C93-1967-05	C CAPACITOR	470PF K		C902	C93-1959-05	C CAPACITOR	0.10UF K	
C818	CK73GB0J106K	C CAPACITOR	10UF K		C903	C93-1959-05	C CAPACITOR	0.10UF K	
C819	CK73GB0J106K	C CAPACITOR	10UF K		C904	C93-1959-05	C CAPACITOR	0.10UF K	
C822	CC73JCH1H101J	C CAPACITOR	100PF J		C905	CK73HB1A105K	C CAPACITOR	1.0UF K	
C823	CK73GB1H105K	C CAPACITOR	1.0UF K		C906	C93-1959-05	C CAPACITOR	0.10UF K	
C824	C93-1953-05	C CAPACITOR	0.010UF K		C907	C93-1959-05	C CAPACITOR	0.10UF K	
C825	C93-1953-05	C CAPACITOR	0.010UF K		C908	CK73HB1A105K	C CAPACITOR	1.0UF K	
C826	CK73GXR1C225K	C CAPACITOR	2.2UF K		C909	C93-1959-05	C CAPACITOR	0.10UF K	
C827	C93-1953-05	C CAPACITOR	0.010UF K		C911	C93-1959-05	C CAPACITOR	0.10UF K	
C828	C93-1953-05	C CAPACITOR	0.010UF K		C912	C93-1959-05	C CAPACITOR	0.10UF K	
C829	CK73HBB1H102K	C CAPACITOR	1000PF K		C913	C93-1959-05	C CAPACITOR	0.10UF K	
C830	C93-1953-05	C CAPACITOR	0.010UF K		C914	C93-1959-05	C CAPACITOR	0.10UF K	
C831	CK73HBB1H102K	C CAPACITOR	1000PF K		C915	C93-1967-05	C CAPACITOR	470PF K	
C832	C93-1953-05	C CAPACITOR	0.010UF K		C916	CK73GB0J106K	C CAPACITOR	10UF K	
C833	CC73JCH1H101J	C CAPACITOR	100PF J		C917	CK73HB1A105K	C CAPACITOR	1.0UF K	
C834	CC73JCH1H101J	C CAPACITOR	100PF J		C918	C93-1959-05	C CAPACITOR	0.10UF K	
C835	CC73JCH1H101J	C CAPACITOR	100PF J		C919	CK73HB1A105K	C CAPACITOR	1.0UF K	
C836	CC73JCH1H101J	C CAPACITOR	100PF J		C920	C93-1959-05	C CAPACITOR	0.10UF K	
C837	CC73JCH1H101J	C CAPACITOR	100PF J		C921	CK73HBB1H472K	C CAPACITOR	4700PF K	
C838	CC73HCH1H470J	C CAPACITOR	47PF J		C922	CK73HB1A105K	C CAPACITOR	1.0UF K	
C839	CC73JCH1H101J	C CAPACITOR	100PF J		C923	CK73HB1A105K	C CAPACITOR	1.0UF K	
C840	CC73HCH1H470J	C CAPACITOR	47PF J		C924	CK73HB1A105K	C CAPACITOR	1.0UF K	
C841	CC73JCH1H101J	C CAPACITOR	100PF J		C925	CC73JCH1H101J	C CAPACITOR	100PF J	
C842	CC73JCH1H101J	C CAPACITOR	100PF J		C926	CK73HB1E224K	C CAPACITOR	0.22UF K	
C843	CC73JCH1H101J	C CAPACITOR	100PF J		C927	CK73HB1E224K	C CAPACITOR	0.22UF K	
C844	CC73JCH1H101J	C CAPACITOR	100PF J		C928	C93-1959-05	C CAPACITOR	0.10UF K	
C845	CC73JCH1H101J	C CAPACITOR	100PF J		C929	C93-1959-05	C CAPACITOR	0.10UF K	
C846	C93-1953-05	C CAPACITOR	0.010UF K		C930	C93-1969-05	C CAPACITOR	1000PF K	
C847	CC73JCH1H101J	C CAPACITOR	100PF J		C931	CK73HB1A105K	C CAPACITOR	1.0UF K	
C850	C93-1953-05	C CAPACITOR	0.010UF K		C932	CK73HB1E224K	C CAPACITOR	0.22UF K	
C851	CK73HB1A105K	C CAPACITOR	1.0UF K		C933	CK73HB1E224K	C CAPACITOR	0.22UF K	
C852	C93-1959-05	C CAPACITOR	0.10UF K		C934	C93-1959-05	C CAPACITOR	0.10UF K	
C853	C93-1959-05	C CAPACITOR	0.10UF K		C935	C93-1959-05	C CAPACITOR	0.10UF K	
C854	C93-1959-05	C CAPACITOR	0.10UF K		C936	CC73JCH1H101J	C CAPACITOR	100PF J	
C855	C93-1959-05	C CAPACITOR	0.10UF K		C937	CK73HB1A105K	C CAPACITOR	1.0UF K	
C856	CK73HB1A105K	C CAPACITOR	1.0UF K		C938	CC73HCH1H101J	C CAPACITOR	100PF J	

△ Symbol No.	Part No.	Part Name	Description	Local	△ Symbol No.	Part No.	Part Name	Description	Local
C939	CC73HCH1H101J	C CAPACITOR	100PF J		R48	RK73JB1H104J	MG RESISTOR	100K J 1/20W	
C940	C93-1959-05	C CAPACITOR	0.10UF K		R49	RK73JB1H102J	MG RESISTOR	1.0K J 1/20W	
C941	C93-1959-05	C CAPACITOR	0.10UF K		R50	RK73JB1H102J	MG RESISTOR	1.0K J 1/20W	
C942	C93-1959-05	C CAPACITOR	0.10UF K		R51	RK73JB1H102J	MG RESISTOR	1.0K J 1/20W	
C943	CK73HB1E104K	C CAPACITOR	0.10UF K		R60	R92-3774-05	MG RESISTOR	27	
C944	CK73HB1E104K	C CAPACITOR	0.10UF K		R61	R92-3774-05	MG RESISTOR	27	
C945	CK73GXR0J475K	C CAPACITOR	4.7UF K		R62	RK73HH1J474D	MG RESISTOR	470K D 1/16W	
C946	CK73GXR0J475K	C CAPACITOR	4.7UF K		R63	RK73HB1J333J	MG RESISTOR	33K J 1/16W	
C948	CC73HCH1H1R5B	C CAPACITOR	1.5PF B		R64	RK73HB1J100J	MG RESISTOR	10 J 1/16W	
C949	CC73HCH1H101J	C CAPACITOR	100PF J		R66	RK73JB1H102J	MG RESISTOR	1.0K J 1/20W	
C950	CC73HCH1H101J	C CAPACITOR	100PF J		R67	RK73JB1H104J	MG RESISTOR	100K J 1/20W	
C951	CC73HCH1H101J	C CAPACITOR	100PF J		R68	RK73JB1H104J	MG RESISTOR	100K J 1/20W	
C952	CC73HCH1H101J	C CAPACITOR	100PF J		R70	RK73HH1J223D	MG RESISTOR	22K D 1/16W	
C953	CC73JCH1H101J	C CAPACITOR	100PF J		R71	RK73HH1J223D	MG RESISTOR	22K D 1/16W	
C954	CC73JCH1H101J	C CAPACITOR	100PF J		R72	RK73HH1J474D	MG RESISTOR	470K D 1/16W	
C955	CC73JCH1H101J	C CAPACITOR	100PF J		R73	RK73HH1J223D	MG RESISTOR	22K D 1/16W	
C956	CC73JCH1H101J	C CAPACITOR	100PF J		R74	RK73GB2A471J	MG RESISTOR	470 J 1/10W	
C957	CC73JCH1H101J	C CAPACITOR	100PF J		R75	RK73PB2H1R2J	MG RESISTOR	1.2 J 1/2W	
C958	CC73JCH1H101J	C CAPACITOR	100PF J		R76	RK73HB1J471J	MG RESISTOR	470 J 1/16W	
C959	CC73JCH1H101J	C CAPACITOR	100PF J		R77	RK73HH1J223D	MG RESISTOR	22K D 1/16W	
C960	CC73JCH1H101J	C CAPACITOR	100PF J		R78	RK73HH1J223D	MG RESISTOR	22K D 1/16W	
C961	C93-1967-05	C CAPACITOR	470PF K		R79	RK73GB2A000J	MG RESISTOR	0.0 J 1/10W	
C962	CC73JCH1H101J	C CAPACITOR	100PF J		R80	RK73JB1H102J	MG RESISTOR	1.0K J 1/20W	
C963	CC73JCH1H101J	C CAPACITOR	100PF J		R81	RK73JB1H102J	MG RESISTOR	1.0K J 1/20W	
C964	CC73JCH1H101J	C CAPACITOR	100PF J		R92	RK73HB1J470J	MG RESISTOR	47 J 1/16W	
C965	CC73JCH1H101J	C CAPACITOR	100PF J		R94	R92-3758-05	MG RESISTOR	1.2	
C974	CK73GXR0J475K	C CAPACITOR	4.7UF K		R95	RK73HB1J471J	MG RESISTOR	470 J 1/16W	
C975	CK73GXR0J475K	C CAPACITOR	4.7UF K		R96	RK73HB1J101J	MG RESISTOR	100 J 1/16W	
C976	CC73JCH1H101J	C CAPACITOR	100PF J		R100	RK73JB1H104J	MG RESISTOR	100K J 1/20W	
C977	CC73JCH1H101J	C CAPACITOR	100PF J		R101	RK73HB1J000J	MG RESISTOR	0.0 J 1/16W	
C978	CC73JCH1H101J	C CAPACITOR	100PF J		R102	RK73HB1J100J	MG RESISTOR	10 J 1/16W	
C980	CC73JCH1H101J	C CAPACITOR	100PF J		R103	RK73HB1J000J	MG RESISTOR	0.0 J 1/16W	
C981	CC73JCH1H101J	C CAPACITOR	100PF J		R104	RK73HB1J100J	MG RESISTOR	10 J 1/16W	
C982	C93-1967-05	C CAPACITOR	470PF K		R105	RK73HH1J104D	MG RESISTOR	100K D 1/16W	
C983	C93-1967-05	C CAPACITOR	470PF K		R106	RK73HB1J470J	MG RESISTOR	47 J 1/16W	
C984	CK73HBB1H471K	C CAPACITOR	470UF K		R107	RK73HB1J100J	MG RESISTOR	10 J 1/16W	
C986	C93-1967-05	C CAPACITOR	470PF K		R108	RK73HH1J102D	MG RESISTOR	1.0K D 1/16W	
C987	CC73JCH1H101J	C CAPACITOR	100PF J		R109	RK73HH1J102D	MG RESISTOR	1.0K D 1/16W	
C988	CC73JCH1H101J	C CAPACITOR	100PF J		R110	RK73HH1J223D	MG RESISTOR	22K D 1/16W	
C989	CC73JCH1H101J	C CAPACITOR	100PF J		R111	RK73HB1J124J	MG RESISTOR	120K J 1/16W	
C990	CC73JCH1H101J	C CAPACITOR	100PF J		R112	RK73HB1J100J	MG RESISTOR	10 J 1/16W	
C991	CC73HCH1H101J	C CAPACITOR	100PF J		R113	RK73HH1J472D	MG RESISTOR	4.7K D 1/16W	
C992	CC73HCH1H101J	C CAPACITOR	100PF J		R114	RK73HH1J104D	MG RESISTOR	100K D 1/16W	
C993	CC73HCH1H101J	C CAPACITOR	100PF J		R115	RK73HB1J106J	MG RESISTOR	10M J 1/16W	
C997	C93-1959-05	C CAPACITOR	0.10UF K		R116	RK73HB1J470J	MG RESISTOR	47 J 1/16W	
R15	RK73HB1J000J	MG RESISTOR	0.0 J 1/16W		R117	RK73HH1J104D	MG RESISTOR	100K D 1/16W	
R16	RK73HB1J000J	MG RESISTOR	0.0 J 1/16W		R119	RK73HH1J102D	MG RESISTOR	1.0K D 1/16W	
R17	RK73HB1J101J	MG RESISTOR	100 J 1/16W		R120	RK73HH1J102D	MG RESISTOR	1.0K D 1/16W	
R18	RK73JB1H474J	MG RESISTOR	470K J 1/20W		R122	RK73HH1J103D	MG RESISTOR	10K D 1/16W	
R19	RK73JB1H474J	MG RESISTOR	470K J 1/20W		R123	RK73HH1J473D	MG RESISTOR	47K D 1/16W	
R20	RK73JB1H474J	MG RESISTOR	470K J 1/20W		R124	RK73HH1J473D	MG RESISTOR	47K D 1/16W	
R21	RK73JB1H103J	MG RESISTOR	10K J 1/20W		R125	RK73HB1J183J	MG RESISTOR	18K J 1/16W	
R22	RK73JB1H474J	MG RESISTOR	470K J 1/20W		R140	RK73HB1J000J	MG RESISTOR	0.0 J 1/16W	
R23	RK73JB1H103J	MG RESISTOR	10K J 1/20W		R141	RK73HH1J151D	MG RESISTOR	150 D 1/16W	
R24	RK73JB1H474J	MG RESISTOR	470K J 1/20W		R142	RK73HH1J391D	MG RESISTOR	390 D 1/16W	
R25	RK73JB1H474J	MG RESISTOR	470K J 1/20W		R143	RK73HB1J105J	MG RESISTOR	1.0M J 1/16W	
R26	RK73JB1H104J	MG RESISTOR	100K J 1/20W		R144	RK73HH1J103D	MG RESISTOR	10K D 1/16W	
R27	RK73JB1H104J	MG RESISTOR	100K J 1/20W		R150	RK73HB1J000J	MG RESISTOR	0.0 J 1/16W	
R28	RK73JB1H104J	MG RESISTOR	100K J 1/20W		R151	RK73HH1J473D	MG RESISTOR	47K D 1/16W	
R29	RK73JB1H104J	MG RESISTOR	100K J 1/20W		R152	RK73HH1J474D	MG RESISTOR	470K D 1/16W	
R30	RK73JB1H102J	MG RESISTOR	1.0K J 1/20W		R153	RK73HH1J474D	MG RESISTOR	470K D 1/16W	
R31	RK73HH1J183D	MG RESISTOR	18K D 1/16W		R161	RK73HH1J104D	MG RESISTOR	100K D 1/16W	
R32	RK73HH1J683D	MG RESISTOR	68K D 1/16W		R162	RN73H0AJ221D	MF RESISTOR	22 D 1/16W	
R33	RK73JB1H102J	MG RESISTOR	1.0K J 1/20W		R163	RN73HH1J220D	MG RESISTOR	22 D 1/16W	
R34	RK73JB1H104J	MG RESISTOR	100K J 1/20W		R181	RK73HH1J104D	MG RESISTOR	100K D 1/16W	
R35	RK73JB1H103J	MG RESISTOR	10K J 1/20W		R182	RK73HB1J000J	MG RESISTOR	0.0 J 1/16W	
R36	RK73JB1H474J	MG RESISTOR	470K J 1/20W		R183	RK73HB1J101J	MG RESISTOR	100 J 1/16W	
R37	RK73HH1J274D	MG RESISTOR	270K D 1/16W		R185	RK73HH1J103D	MG RESISTOR	10K D 1/16W	
R38	RK73HB1J224J	MG RESISTOR	220K J 1/16W		R186	RK73HH1J103D	MG RESISTOR	10K D 1/16W	
R39	RK73HH1J474D	MG RESISTOR	470K D 1/16W		R187	RK73HB1J221J	MG RESISTOR	220 J 1/16W	
R40	RK73HH1J474D	MG RESISTOR	470K D 1/16W		R188	RK73HB1J101J	MG RESISTOR	100 J 1/16W	
R41	RK73HH1J474D	MG RESISTOR	470K D 1/16W		R190	RK73HB1J101J	MG RESISTOR	100 J 1/16W	
R42	RK73JB1H102J	MG RESISTOR	1.0K J 1/20W		R191	RK73HB1J000J	MG RESISTOR	0.0 J 1/16W	
R43	RK73JB1H104J	MG RESISTOR	100K J 1/20W		R200	RK73HB1J100J	MG RESISTOR	10 J 1/16W	
R45	RK73JB1H473J	MG RESISTOR	47K J 1/20W		R201	RK73HB1J000J	MG RESISTOR	0.0 J 1/16W	
R46	RK73JB1H101J	MG RESISTOR	100 J 1/20W		R202	RK73HB1J000J	MG RESISTOR	0.0 J 1/16W	
R47	RK73JB1H104J	MG RESISTOR	100K J 1/20W		R203	RK73HB1J100J	MG RESISTOR	10 J 1/16W	
					R204	RK73HH1J104D	MG RESISTOR	100K D 1/16W	

△ Symbol No.	Part No.	Part Name	Description	Local	△ Symbol No.	Part No.	Part Name	Description	Local
R205	RK73HB1J470J	MG RESISTOR	47 J 1/16W		R404	RK73HH1J472D	MG RESISTOR	4.7K D 1/16W	
R206	RK73HB1J100J	MG RESISTOR	10 J 1/16W		R405	RK73HH1J472D	MG RESISTOR	4.7K D 1/16W	
R207	RK73HH1J102D	MG RESISTOR	1.0K D 1/16W		R406	RK73HB1J471J	MG RESISTOR	470 J 1/16W	
R208	RK73HH1J102D	MG RESISTOR	1.0K D 1/16W		R407	RK73HH1J333D	MG RESISTOR	33K D 1/16W	
R209	RK73HH1J223D	MG RESISTOR	22K D 1/16W		R408	RK73HH1J562D	MG RESISTOR	5.6K D 1/16W	
R210	RK73HB1J124J	MG RESISTOR	120K J 1/16W		R409	RK73HB1J470J	MG RESISTOR	47 J 1/16W	
R211	RK73HB1J100J	MG RESISTOR	10 J 1/16W		R410	RK73HB1J000J	MG RESISTOR	0.0 J 1/16W	
R212	RK73HH1J472D	MG RESISTOR	4.7K D 1/16W		R412	RK73HB1J332J	MG RESISTOR	3.3K J 1/16W	
R213	RK73HH1J104D	MG RESISTOR	100K D 1/16W		R414	RK73HB1J223J	MG RESISTOR	22K J 1/16W	
R214	RK73HB1J106J	MG RESISTOR	10M J 1/16W		R416	RK73HB1J000J	MG RESISTOR	0.0 J 1/16W	
R215	RK73HB1J470J	MG RESISTOR	47 J 1/16W		R417	RK73HH1J223D	MG RESISTOR	22K D 1/16W	
R216	RK73HH1J104D	MG RESISTOR	100K D 1/16W		R418	RK73HH1J223D	MG RESISTOR	22K D 1/16W	
R217	RK73HH1J103D	MG RESISTOR	10K D 1/16W		R420	RK73HH1J104D	MG RESISTOR	100K D 1/16W	
R218	RK73HB1J121J	MG RESISTOR	120 J 1/16W		R422	RK73JB1H102J	MG RESISTOR	1.0K J 1/20W	
R219	RK73HB1J121J	MG RESISTOR	120 J 1/16W		R424	RK73HH1J682D	MG RESISTOR	6.8K D 1/16W	
R220	RK73HB1J680J	MG RESISTOR	68 J 1/16W		R425	RK73HB1J152J	MG RESISTOR	1.5K J 1/16W	
R230	RK73HH1J473D	MG RESISTOR	47K D 1/16W		R500	RK73HB1J000J	MG RESISTOR	0.0 J 1/16W	
R231	RK73HH1J474D	MG RESISTOR	470K D 1/16W		R502	RK73HH1J151D	MG RESISTOR	150 D 1/16W	
R232	RK73HH1J474D	MG RESISTOR	470K D 1/16W		R504	RK73HB1J000J	MG RESISTOR	0.0 J 1/16W	
R240	RK73HB1J000J	MG RESISTOR	0.0 J 1/16W		R520	RK73JB1H223J	MG RESISTOR	22K J 1/20W	
R241	RK73HH1J151D	MG RESISTOR	150 D 1/16W		R521	RK73JB1H223J	MG RESISTOR	22K J 1/20W	
R242	RK73HB1J105J	MG RESISTOR	1.0M J 1/16W		R531	RK73HH1J474D	MG RESISTOR	470K D 1/16W	
R243	RK73HH1J391D	MG RESISTOR	390 D 1/16W		R532	RK73HB1J4R7J	MG RESISTOR	4.7 J 1/16W	
R244	RK73HH1J103D	MG RESISTOR	10K D 1/16W		R533	RK73HB1J470J	MG RESISTOR	47 J 1/16W	
R246	RK73HB1J000J	MG RESISTOR	0.0 J 1/16W		R534	RK73HB1J333J	MG RESISTOR	33K J 1/16W	
R247	RN73H0AJ181D	MF RESISTOR	180 D 1/16W		R535	RK73HH1J683D	MG RESISTOR	68K D 1/16W	
R248	RN73HH1J220D	MG RESISTOR	22 D 1/16W		R536	RK73HH1J104D	MG RESISTOR	100K D 1/16W	
R281	RK73HB1J124J	MG RESISTOR	120K J 1/16W		R537	RK73HH1J683D	MG RESISTOR	68K D 1/16W	
R282	RK73HB1J000J	MG RESISTOR	0.0 J 1/16W		R538	RK73HH1J474D	MG RESISTOR	470K D 1/16W	
R283	RK73HB1J101J	MG RESISTOR	100 J 1/16W		R539	RK73HH1J474D	MG RESISTOR	470K D 1/16W	
R285	RK73HH1J104D	MG RESISTOR	100K D 1/16W		R551	RK73HH1J474D	MG RESISTOR	470K D 1/16W	
R287	RK73HB1J221J	MG RESISTOR	220 J 1/16W		R552	RK73HB1J560J	MG RESISTOR	56 J 1/16W	
R288	RK73HB1J470J	MG RESISTOR	47 J 1/16W		R553	RK73HB1J100J	MG RESISTOR	10 J 1/16W	
R290	RK73HB1J101J	MG RESISTOR	100 J 1/16W		R554	RK73HB1J333J	MG RESISTOR	33K J 1/16W	
R291	RK73HB1J271J	MG RESISTOR	270 J 1/16W		R555	RK73HH1J683D	MG RESISTOR	68K D 1/16W	
R292	RK73HB1J180J	MG RESISTOR	18 J 1/16W		R556	RK73HH1J104D	MG RESISTOR	100K D 1/16W	
R293	RK73HB1J271J	MG RESISTOR	270 J 1/16W		R557	RK73HH1J104D	MG RESISTOR	100K D 1/16W	
R300	RK73HB1J101J	MG RESISTOR	100 J 1/16W		R570	RK73JB1H223J	MG RESISTOR	22K J 1/20W	
R301	RK73HB1J680J	MG RESISTOR	68 J 1/16W		R571	RK73JB1H223J	MG RESISTOR	22K J 1/20W	
R302	RK73HB1J101J	MG RESISTOR	100 J 1/16W		R572	RK73HH1J474D	MG RESISTOR	470K D 1/16W	
R303	RK73HB1J000J	MG RESISTOR	0.0 J 1/16W		R573	RK73HH1J474D	MG RESISTOR	470K D 1/16W	
R310	RK73HB1J221J	MG RESISTOR	220 J 1/16W		R574	RK73HH1J474D	MG RESISTOR	470K D 1/16W	
R311	RK73HB1J220J	MG RESISTOR	22 J 1/16W		R582	RK73HB1J271J	MG RESISTOR	270 J 1/16W	
R312	RK73HB1J221J	MG RESISTOR	220 J 1/16W		R583	RK73HB1J682J	MG RESISTOR	6.8K J 1/16W	
R313	RK73HB1J680J	MG RESISTOR	68 J 1/16W		R584	RK73HH1J103D	MG RESISTOR	10K D 1/16W	
R314	RK73HB1J182J	MG RESISTOR	1.8K J 1/16W		R586	RK73HB1J000J	MG RESISTOR	0.0 J 1/16W	
R315	RK73HB1J000J	MG RESISTOR	0.0 J 1/16W		R589	RK73HB1J000J	MG RESISTOR	0.0 J 1/16W	
R316	RK73HB1J562J	MG RESISTOR	5.6K J 1/16W		R590	RK73HB1J000J	MG RESISTOR	0.0 J 1/16W	
R317	RK73HB1J331J	MG RESISTOR	330 J 1/16W		R591	RK73HB1J000J	MG RESISTOR	0.0 J 1/16W	
R318	RK73HB1J000J	MG RESISTOR	0.0 J 1/16W		R592	RK73HB1J000J	MG RESISTOR	0.0 J 1/16W	
R320	RK73HB1J271J	MG RESISTOR	270 J 1/16W		R600	RK73HH1J102D	MG RESISTOR	1.0K D 1/16W	
R321	RK73HB1J180J	MG RESISTOR	18 J 1/16W		R601	RK73HB1J681J	MG RESISTOR	680 J 1/16W	
R322	RK73HB1J271J	MG RESISTOR	270 J 1/16W		R602	RK73JB1H103J	MG RESISTOR	10K J 1/20W	
R323	RK73HB1J912J	MG RESISTOR	9.1K J 1/16W		R603	RK73HH1J391D	MG RESISTOR	390 J 1/16W	
R324	RK73HH1J102D	MG RESISTOR	1.0K D 1/16W		R604	RK73HB1J220J	MG RESISTOR	22 J 1/16W	
R325	RK73HB1J562J	MG RESISTOR	5.6K J 1/16W		R605	RK73HB1J182J	MG RESISTOR	1.8K J 1/16W	
R326	RK73GB2A331J	MG RESISTOR	330 J 1/10W		R606	RK73HB1J562J	MG RESISTOR	5.6K J 1/16W	
R327	RK73HB1J000J	MG RESISTOR	0.0 J 1/16W		R607	RK73HB1J471J	MG RESISTOR	470 J 1/16W	
R328	RK73GB2A000J	MG RESISTOR	0.0 J 1/10W		R608	RK73JB1H472J	MG RESISTOR	4.7K J 1/20W	
R330	RK73HH1J472D	MG RESISTOR	4.7K D 1/16W		R609	RK73HH1J104D	MG RESISTOR	100K D 1/16W	
R331	RK73HB1J562J	MG RESISTOR	5.6K J 1/16W		R610	RK73HB1J470J	MG RESISTOR	47 J 1/16W	
R333	RK73GB2A000J	MG RESISTOR	0.0 J 1/10W		R660	RK73HH1J103D	MG RESISTOR	10K D 1/16W	
R334	RK73HB1J272J	MG RESISTOR	2.7K J 1/16W		R661	RK73HB1J101J	MG RESISTOR	100 J 1/16W	
R335	RK73FB2B000J	MG RESISTOR	0.0 J 1/8W		R662	RK73HH1J274D	MG RESISTOR	270K D 1/16W	
R350	RK73EB2E823J	MG RESISTOR	82K J 1/4W		R663	RK73HB1J271J	MG RESISTOR	270 J 1/16W	
R360	RK73HB1J271J	MG RESISTOR	270 J 1/16W		R664	RK73HB1J180J	MG RESISTOR	18 J 1/16W	
R361	RK73HB1J271J	MG RESISTOR	270 J 1/16W		R665	RK73HB1J271J	MG RESISTOR	270 J 1/16W	
R362	RK73HH1J102D	MG RESISTOR	1.0K D 1/16W		R670	RK73HB1J470J	MG RESISTOR	47 J 1/16W	
R370	RK73GB2A000J	MG RESISTOR	0.0 J 1/10W		R671	RK73HB1J681J	MG RESISTOR	680 J 1/16W	
R390	RK73HB1J273J	MG RESISTOR	27K J 1/16W		R672	RK73HH1J104D	MG RESISTOR	100K D 1/16W	
R391	RK73HH1J473D	MG RESISTOR	47K D 1/16W		R673	RK73HH1J473D	MG RESISTOR	47K D 1/16W	
R392	RK73HH1J473D	MG RESISTOR	47K D 1/16W		R674	RK73HH1J104D	MG RESISTOR	100K D 1/16W	
R393	RK73HB1J470J	MG RESISTOR	47 J 1/16W		R675	RK73HB1J333J	MG RESISTOR	33K J 1/16W	
R394	RK73HB1J000J	MG RESISTOR	0.0 J 1/16W		R676	RK73HB1J000J	MG RESISTOR	0.0 J 1/16W	
R400	R92-3756-05	MG RESISTOR	0.22		R677	RK73HB1J101J	MG RESISTOR	100 J 1/16W	
R401	RK73JB1H103J	MG RESISTOR	10K J 1/20W		R700	RK73HH1J102D	MG RESISTOR	1.0K D 1/16W	
R402	R92-3756-05	MG RESISTOR	0.22		R701	RK73HB1J000J	MG RESISTOR	0.0 J 1/16W	
R403	RK73HB1J470J	MG RESISTOR	47 J 1/16W		R702	RK73HB1J100J	MG RESISTOR	10 J 1/16W	

△ Symbol No.	Part No.	Part Name	Description	Local	△ Symbol No.	Part No.	Part Name	Description	Local
R703	RK73HB1J000J	MG RESISTOR	0.0 J 1/16W		R832	RK73HB1J101J	MG RESISTOR	100 J 1/16W	
R704	RK73HH1J102D	MG RESISTOR	1.0K D 1/16W		R833	RK73HB1J101J	MG RESISTOR	100 J 1/16W	
R705	RK73HB1J153J	MG RESISTOR	15K J 1/16W		R834	RK73HH1J102D	MG RESISTOR	1.0K D 1/16W	
R706	RK73HB1J333J	MG RESISTOR	33K J 1/16W		R835	RK73HH1J102D	MG RESISTOR	1.0K D 1/16W	
R707	RK73HB1J100J	MG RESISTOR	10 J 1/16W		R836	RK73HB1J101J	MG RESISTOR	100 J 1/16W	
R708	RK73HB1J681J	MG RESISTOR	680 J 1/16W		R837	RK73HB1J000J	MG RESISTOR	0.0 J 1/16W	
R710	RK73HH1J103D	MG RESISTOR	10K D 1/16W		R838	RK73HB1J000J	MG RESISTOR	0.0 J 1/16W	
R711	RK73JB1H102J	MG RESISTOR	1.0K J 1/20W		R839	RK73HB1J000J	MG RESISTOR	0.0 J 1/16W	
R713	RK73HH1J103D	MG RESISTOR	10K D 1/16W		R840	RK73JB1H472J	MG RESISTOR	4.7K J 1/20W	
R715	RK73HH1J103D	MG RESISTOR	10K D 1/16W		R841	RK73HB1J000J	MG RESISTOR	0.0 J 1/16W	
R717	RK73HH1J103D	MG RESISTOR	10K D 1/16W		R842	RK73HB1J000J	MG RESISTOR	0.0 J 1/16W	
R718	RK73JB1H103J	MG RESISTOR	10K J 1/20W		R849	RK73HB1J331J	MG RESISTOR	330 J 1/16W	
R719	RK73JB1H103J	MG RESISTOR	10K J 1/20W		R850	RK73JB1H102J	MG RESISTOR	1.0K J 1/20W	
R721	RK73HH1J103D	MG RESISTOR	10K D 1/16W		R851	RK73HB1J000J	MG RESISTOR	0.0 J 1/16W	
R722	RK73JB1H220J	MG RESISTOR	22 J 1/20W		R852	RK73JB1H101J	MG RESISTOR	100 J 1/20W	
R723	RK73JB1H473J	MG RESISTOR	47K J 1/20W		R853	RK73JB1H101J	MG RESISTOR	100 J 1/20W	
R724	RK73JB1H102J	MG RESISTOR	1.0K J 1/20W		R855	RK73HH1J151D	MG RESISTOR	150 D 1/16W	
R725	RK73HB1J000J	MG RESISTOR	0.0 J 1/16W		R856	RK73HB1J390J	MG RESISTOR	39 J 1/16W	
R726	RK73JB1H103J	MG RESISTOR	10K J 1/20W		R857	RK73HH1J151D	MG RESISTOR	150 D 1/16W	
R727	RK73JB1H223J	MG RESISTOR	22K J 1/20W		R858	RK73JB1H103J	MG RESISTOR	10K J 1/20W	
R728	RK73JB1H473J	MG RESISTOR	47K J 1/20W		R859	RK73JB1H103J	MG RESISTOR	10K J 1/20W	
R729	RK73JB1H103J	MG RESISTOR	10K J 1/20W		R860	RK73HB1J000J	MG RESISTOR	0.0 J 1/16W	
R730	RK73JB1H103J	MG RESISTOR	10K J 1/20W		R861	RK73JB1H103J	MG RESISTOR	10K J 1/20W	
R731	RK73JB1H103J	MG RESISTOR	10K J 1/20W		R862	RK73JB1H473J	MG RESISTOR	47K J 1/20W	
R732	RK73JB1H103J	MG RESISTOR	10K J 1/20W		R865	RK73HB1J000J	MG RESISTOR	0.0 J 1/16W	
R733	RK73HB1J000J	MG RESISTOR	0.0 J 1/16W		R867	RK73HB1J100J	MG RESISTOR	10 J 1/16W	
R734	RK73HB1J000J	MG RESISTOR	0.0 J 1/16W		R900	RK73HB1J000J	MG RESISTOR	0.0 J 1/16W	
R736	RK73GH2A49R9D	MG RESISTOR	49.9 D 1/10W		R901	RK73HB1J000J	MG RESISTOR	0.0 J 1/16W	
R737	RK73HH1J102D	MG RESISTOR	1.0K D 1/16W		R902	RK73HH1J104D	MG RESISTOR	100K D 1/16W	
R738	RK73HH1J102D	MG RESISTOR	1.0K D 1/16W		R903	RK73HH1J103D	MG RESISTOR	10K D 1/16W	
R739	RK73JB1H102J	MG RESISTOR	1.0K J 1/20W		R904	RK73HH1J104D	MG RESISTOR	100K D 1/16W	
R744	RK73JB1H472J	MG RESISTOR	4.7K J 1/20W		R905	RK73HB1J100J	MG RESISTOR	10 J 1/16W	
R745	RK73JB1H104J	MG RESISTOR	100K J 1/20W		R906	RK73HB1J000J	MG RESISTOR	0.0 J 1/16W	
R746	RK73JB1H104J	MG RESISTOR	100K J 1/20W		R907	RK73HB1J000J	MG RESISTOR	0.0 J 1/16W	
R747	RK73JB1H472J	MG RESISTOR	4.7K J 1/20W		R908	RK73HH1J102D	MG RESISTOR	1.0K D 1/16W	
R748	RK73HB1J000J	MG RESISTOR	0.0 J 1/16W		R909	RK73HB1J000J	MG RESISTOR	0.0 J 1/16W	
R750	RK73HB1J332J	MG RESISTOR	3.3K J 1/16W		R910	RK73HB1J222J	MG RESISTOR	2.2K J 1/16W	
R753	RK73HB1J000J	MG RESISTOR	0.0 J 1/16W		R911	RK73HB1J000J	MG RESISTOR	0.0 J 1/16W	
R754	RK73HB1J100J	MG RESISTOR	10 J 1/16W		R912	RK73HB1J000J	MG RESISTOR	0.0 J 1/16W	
R755	RK73JB1H222J	MG RESISTOR	2.2K J 1/20W		R913	RK73HB1J000J	MG RESISTOR	0.0 J 1/16W	
R756	RK73HB1J100J	MG RESISTOR	10 J 1/16W		R915	RK73HH1J123D	MG RESISTOR	12K D 1/16W	
R757	RK73JB1H222J	MG RESISTOR	2.2K J 1/20W		R916	RK73HH1J123D	MG RESISTOR	12K D 1/16W	
R758	RK73HB1J100J	MG RESISTOR	10 J 1/16W		R917	RK73HB1J000J	MG RESISTOR	0.0 J 1/16W	
R759	RK73JB1H472J	MG RESISTOR	4.7K J 1/20W		R918	RK73HH1J154D	MG RESISTOR	150K D 1/16W	
R760	RK73HB1J000J	MG RESISTOR	0.0 J 1/16W		R919	RK73HH1J154D	MG RESISTOR	150K D 1/16W	
R761	RK73JB1H104J	MG RESISTOR	100K J 1/20W		R920	RK73HB1J000J	MG RESISTOR	0.0 J 1/16W	
R762	RK73HB1J222J	MG RESISTOR	2.2K J 1/16W		R921	RK73HB1J000J	MG RESISTOR	0.0 J 1/16W	
R763	RK73HB1J122J	MG RESISTOR	1.2K J 1/16W		R922	RK73HH1J123D	MG RESISTOR	12K D 1/16W	
R764	RK73HB1J561J	MG RESISTOR	560 J 1/16W		R923	RK73HH1J123D	MG RESISTOR	12K D 1/16W	
R765	RK73HB1J101J	MG RESISTOR	100 J 1/16W		R924	RK73HH1J154D	MG RESISTOR	150K D 1/16W	
R770	RK73JB1H473J	MG RESISTOR	47K J 1/20W		R925	RK73HH1J154D	MG RESISTOR	150K D 1/16W	
R771	RK73JB1H473J	MG RESISTOR	47K J 1/20W		R926	RK73HB1J000J	MG RESISTOR	0.0 J 1/16W	
R772	RK73HH1J102D	MG RESISTOR	1.0K D 1/16W		R927	RK73JB1H474J	MG RESISTOR	470K J 1/20W	
R773	RK73HH1J473D	MG RESISTOR	47K D 1/16W		R928	RK73JB1H473J	MG RESISTOR	47K J 1/20W	
R774	RK73HH1J473D	MG RESISTOR	47K D 1/16W		R929	RK73HB1J471J	MG RESISTOR	470 J 1/16W	
R775	RK73JB1H473J	MG RESISTOR	47K J 1/20W		R930	RK73HB1J471J	MG RESISTOR	470 J 1/16W	
R776	RK73GB2A000J	MG RESISTOR	0.0 J 1/10W		R931	RK73HB1J000J	MG RESISTOR	0.0 J 1/16W	
R777	RK73GB2A000J	MG RESISTOR	0.0 J 1/10W		R932	RK73HB1J182J	MG RESISTOR	1.8K J 1/16W	
R778	RK73HB1J000J	MG RESISTOR	0.0 J 1/16W		R933	RK73HB1J182J	MG RESISTOR	1.8K J 1/16W	
R779	RK73HB1J000J	MG RESISTOR	0.0 J 1/16W		R934	RK73HB1J182J	MG RESISTOR	1.8K J 1/16W	
R780	RK73HB1J220J	MG RESISTOR	22 J 1/16W		R935	RK73HB1J182J	MG RESISTOR	1.8K J 1/16W	
R800	RK73HH1J274D	MG RESISTOR	270K D 1/16W		R937	RK73HB1J102J	MG RESISTOR	1.0K J 1/16W	
R803	RK73HB1J000J	MG RESISTOR	0.0 J 1/16W		R938	RK73HB1J102J	MG RESISTOR	1.0K J 1/16W	
R805	RK73JB1H472J	MG RESISTOR	4.7K J 1/20W		R939	RK73HB1J102J	MG RESISTOR	1.0K J 1/16W	
R806	RK73JB1H103J	MG RESISTOR	10K J 1/20W		R940	RK73HB1J102J	MG RESISTOR	1.0K J 1/16W	
R808	RK73HB1J332J	MG RESISTOR	3.3K J 1/16W						
R810	RK73JB1H104J	MG RESISTOR	100K J 1/20W		L1	LB73F0AW-002	CHIP FERRITE BEADS		
R814	RK73JB1H104J	MG RESISTOR	100K J 1/20W		L2	LB73H0AV-003	CHIP FERRITE BEADS		
R819	RK73HB1J101J	MG RESISTOR	100 J 1/16W		L3	LB73H0AV-003	CHIP FERRITE BEADS		
R823	RK73JB1H104J	MG RESISTOR	100K J 1/20W		L30	LB73G0AK-001	CHIP FERRITE BEADS		
R824	RK73JB1H102J	MG RESISTOR	1.0K J 1/20W		L31	LB73H0AV-002	CHIP FERRITE BEADS		
R825	RK73JB1H104J	MG RESISTOR	100K J 1/20W		L32	LB73G0AM-004	CHIP FERRITE BEADS		
R826	RK73HB1J222J	MG RESISTOR	2.2K J 1/16W		L33	L33-3034-05	SMALL FIXED INDUCTOR(2.2UH)		
R827	RK73HB1J471J	MG RESISTOR	470 J 1/16W		L34	LB73G0AM-004	CHIP FERRITE BEADS		
R828	RK73HB1J822J	MG RESISTOR	8.2K J 1/16W		L35	LB73G0AK-001	CHIP FERRITE BEADS		
R829	RK73HB1J222J	MG RESISTOR	2.2K J 1/16W		L36	LB73G0AK-001	CHIP FERRITE BEADS		
R830	RK73JB1H102J	MG RESISTOR	1.0K J 1/20W		L38	LB73H0AV-002	CHIP FERRITE BEADS		
R831	RK73HB1J101J	MG RESISTOR	100 J 1/16W		L39	LB73G0BJ-002	CHIP FERRITE BEADS		

△ Symbol No.	Part No.	Part Name	Description	Local	△ Symbol No.	Part No.	Part Name	Description	Local
L40	LB73H0AV-002	CHIP FERRITE BEADS			L585	LK73H0AM33NJ	SMALL FIXED INDUCTOR(33NH)		
L60	L41-1502-70	SMALL FIXED INDUCTOR(15UH)			L586	LB73H0AV-003	CHIP FERRITE BEADS		
L61	LB73H0AV-002	CHIP FERRITE BEADS			L587	LK73H0AM12NJ	SMALL FIXED INDUCTOR(12NH)		
L81	LB73G0AK-001	CHIP FERRITE BEADS			L588	LK73H0AM22NJ	SMALL FIXED INDUCTOR(22NH)		
L100	LB73H0AV-003	CHIP FERRITE BEADS			L589	LK73H0AM12NJ	SMALL FIXED INDUCTOR(12NH)		
L101	LB73H0AY-004	CHIP FERRITE BEADS			L600	LK73G0AQ100K	SMALL FIXED INDUCTOR(10UH)		
L102	LB73H0AY-004	CHIP FERRITE BEADS			L601	LB73H0AV-003	CHIP FERRITE BEADS		
L140	LB73H0AV-003	CHIP FERRITE BEADS			L602	LB73H0AV-003	CHIP FERRITE BEADS		
L160	LK73G0AFR27J	SMALL FIXED INDUCTOR(270NH)			L603	L41-2788-55	SMALL FIXED INDUCTOR(270NH)		
L161	LK73G0AFR27J	SMALL FIXED INDUCTOR(270NH)			L604	LK73G0AFR27J	SMALL FIXED INDUCTOR(270NH)		
L162	LK73G0AFR27J	SMALL FIXED INDUCTOR(270NH)			L605	LB73H0AV-003	CHIP FERRITE BEADS		
L163	LK73G0AFR27J	SMALL FIXED INDUCTOR(270NH)			L606	L41-4798-14	SMALL FIXED INDUCTOR(4.7UF)		
L164	L41-2278-08	SMALL FIXED INDUCTOR(22NH)			L607	LB73H0AV-003	CHIP FERRITE BEADS		
L165	LK73G0AFR27J	SMALL FIXED INDUCTOR(270NH)			L608	LB73H0AV-003	CHIP FERRITE BEADS		
L166	LK73G0AFR27J	SMALL FIXED INDUCTOR(270NH)			L609	L41-1885-53	SMALL FIXED INDUCTOR(0.18UH)		
L180	LK73H0AM2N7S	SMALL FIXED INDUCTOR(2.7NH)			L610	LK73G0AQ100K	SMALL FIXED INDUCTOR(10UH)		
L181	LK73H0AM2N7S	SMALL FIXED INDUCTOR(2.7NH)			L611	LK73G0AQ100K	SMALL FIXED INDUCTOR(10UH)		
L182	LK73H0AM18NJ	SMALL FIXED INDUCTOR(18NH)			L612	L41-1885-53	SMALL FIXED INDUCTOR(0.18UH)		
L185	LK73H0AM10NJ	SMALL FIXED INDUCTOR(10NH)			L613	LB73H0AV-003	CHIP FERRITE BEADS		
L186	LK73H0AM10NJ	SMALL FIXED INDUCTOR(10NH)			L614	LB73H0AV-003	CHIP FERRITE BEADS		
L200	LB73H0AV-003	CHIP FERRITE BEADS			L660	LK73G0AQR33K	SMALL FIXED INDUCTOR(330NH)		
L240	LB73H0AV-003	CHIP FERRITE BEADS			L661	LB73H0AV-002	CHIP FERRITE BEADS		
L241	LR79Z0AWR27J	SMALL FIXED INDUCTOR(270NH)			L662	LK73G0AQR82K	SMALL FIXED INDUCTOR(820NH)		
L242	LK73G0AFR27J	SMALL FIXED INDUCTOR(270NH)			L670	LK73G0AQ2R2K	SMALL FIXED INDUCTOR(2.2UH)		
L243	LK73G0AFR27J	SMALL FIXED INDUCTOR(270NH)			L671	LK73G0AQR47K	SMALL FIXED INDUCTOR(470NH)		
L244	LR79Z0AWR27J	SMALL FIXED INDUCTOR(270NH)			L672	LB73H0AV-002	CHIP FERRITE BEADS		
L245	L41-2278-08	SMALL FIXED INDUCTOR(22NH)			L673	L41-1098-14	SMALL FIXED INDUCTOR(10UH)		
L246	LR79Z0AWR27J	SMALL FIXED INDUCTOR(270NH)			L700	LB73H0AV-003	CHIP FERRITE BEADS		
L247	LK73G0AFR27J	SMALL FIXED INDUCTOR(270NH)			L701	LK73G0AQ4R7K	SMALL FIXED INDUCTOR(4.7UH)		
L248	LB73H0AY-004	CHIP FERRITE BEADS			L702	LB73H0AV-002	CHIP FERRITE BEADS		
L280	LK73H0AM2N7S	SMALL FIXED INDUCTOR(2.7NH)			L703	LB73H0AV-002	CHIP FERRITE BEADS		
L281	LK73H0AM2N7S	SMALL FIXED INDUCTOR(2.7NH)			L704	LB73H0AV-002	CHIP FERRITE BEADS		
L285	LK73H0AM10NJ	SMALL FIXED INDUCTOR(10NH)			L705	LB73G0AM-004	CHIP FERRITE BEADS		
L286	LK73H0AM10NJ	SMALL FIXED INDUCTOR(10NH)			L706	L92-1101-05	CHIP FERRITE		
L300	L40-3363-71	SMALL FIXED INDUCTOR(3.3NH)			L708	L92-1101-05	CHIP FERRITE		
L301	LK73H0AM39NJ	SMALL FIXED INDUCTOR(39NH)			L710	LB73G0AK-001	CHIP FERRITE BEADS		
L302	L40-3363-71	SMALL FIXED INDUCTOR(3.3NH)			L711	LB73G0AK-001	CHIP FERRITE BEADS		
L303	LK73G0AFR10J	SMALL FIXED INDUCTOR(100NH)			L717	LB73G0AK-001	CHIP FERRITE BEADS		
L311	LK73H0AM12NJ	SMALL FIXED INDUCTOR(12NH)			L719	LB73G0AK-001	CHIP FERRITE BEADS		
L312	LK73H0AM6N8J	SMALL FIXED INDUCTOR(6.8NH)			L800	LB73G0AK-001	CHIP FERRITE BEADS		
L313	LB73G0BA-004	CHIP FERRITE BEADS			L802	L79-1984-05	FILTER		
L320	LK73H0AM2N7S	SMALL FIXED INDUCTOR(2.7NH)			L803	L79-1984-05	FILTER		
L321	L40-1263-57	SMALL FIXED INDUCTOR(1.2NH)			L804	L79-1984-05	FILTER		
L322	LK73G0AF39NJ	SMALL FIXED INDUCTOR(39NH)			L805	L79-1984-05	FILTER		
L323	LB73F0AW-002	CHIP FERRITE BEADS			L806	L79-1984-05	FILTER		
L331	L34-4550-05	AIR-CORE COIL			L807	LB73H0AV-002	CHIP FERRITE BEADS		
L332	LB73F0AW-002	CHIP FERRITE BEADS			L808	LB73G0AK-001	CHIP FERRITE BEADS		
L350	LK73H0AM33NJ	SMALL FIXED INDUCTOR(33NH)			L809	LB73G0AM-004	CHIP FERRITE BEADS		
L351	LR79Z0DA8N0G	SMALL FIXED INDUCTOR(8NH)			L810	LB73G0AM-004	CHIP FERRITE BEADS		
L352	LR79Z0DA8N0G	SMALL FIXED INDUCTOR(8NH)			L811	LB73H0AV-002	CHIP FERRITE BEADS		
L353	LR79Z0DA8N0G	SMALL FIXED INDUCTOR(8NH)			L812	LB73H0AV-002	CHIP FERRITE BEADS		
L360	L41-6878-43	SMALL FIXED INDUCTOR(68NH)			L813	LB73G0AM-004	CHIP FERRITE BEADS		
L370	LR79Z0DD12N2J	SMALL FIXED INDUCTOR			L814	LB73H0AV-002	CHIP FERRITE BEADS		
L500	LK73G0ASR10J	SMALL FIXED INDUCTOR(100NH)			L815	LB73G0AM-004	CHIP FERRITE BEADS		
L501	LB73H0AY-004	CHIP FERRITE BEADS			L850	L92-0487-05	CHIP FERRITE		
L502	LK73H0AM10NJ	SMALL FIXED INDUCTOR(10NH)			L851	L92-0487-05	CHIP FERRITE		
L503	LK73G0AF18NJ	SMALL FIXED INDUCTOR(18NH)			L852	LK73H0AM10NJ	SMALL FIXED INDUCTOR(10NH)		
L504	LK73G0AF4N7S	SMALL FIXED INDUCTOR(4.7NH)			L853	L79-1985-05	FILTER(1575.42MHZ)		
L505	LK73H0AM10NJ	SMALL FIXED INDUCTOR(10NH)			L854	L92-0487-05	CHIP FERRITE		
L530	L79-1927-05	FILTER(SAW/769.5M)			L855	L79-1987-05	FILTER(1575.42MHZ)		
L531	LB73H0AY-004	CHIP FERRITE BEADS			L856	LK73H0AM6N8J	SMALL FIXED INDUCTOR(6.8NH)		
L532	L41-5165-45	SMALL FIXED INDUCTOR(5.1NH)			L857	L79-1985-05	FILTER(1410MHZ)		
L533	L41-1578-45	SMALL FIXED INDUCTOR(15NH)			L858	L41-3965-55	SMALL FIXED INDUCTOR(3.9NH)		
L534	LK73H0AM12NJ	SMALL FIXED INDUCTOR(12NH)			L859	L41-3965-55	SMALL FIXED INDUCTOR(3.9NH)		
L535	LK73H0AM6N8J	SMALL FIXED INDUCTOR(6.8NH)			L861	L92-0487-05	CHIP FERRITE		
L536	L79-1927-05	FILTER(SAW/769.5M)			L862	L92-0487-05	CHIP FERRITE		
L550	L79-1928-05	FILTER(SAW/860.5M)			L863	L40-2263-71	SMALL FIXED INDUCTOR(2.2NH)		
L551	LB73H0AY-004	CHIP FERRITE BEADS			L902	LB73H0AV-002	CHIP FERRITE BEADS		
L552	L41-3665-45	SMALL FIXED INDUCTOR(3.6NH)			L903	LB73G0AM-004	CHIP FERRITE BEADS		
L553	L41-1278-45	SMALL FIXED INDUCTOR(12NH)			L904	LB73G0AM-004	CHIP FERRITE BEADS		
L554	LK73H0AM10NJ	SMALL FIXED INDUCTOR(10NH)			L905	LK73H0AM1N0S	SMALL FIXED INDUCTOR(1.0NH)		
L555	LK73H0AM5N6S	SMALL FIXED INDUCTOR(5.6NH)							
L556	L79-1928-05	FILTER(SAW/860.5M)			A30	W02-3785-05	DC/DC CONVERTER		
L580	LK73H0AM8N2J	SMALL FIXED INDUCTOR(8.2NH)			CN1	G0B-0023-00	EARTH SPRING		
L581	L40-3363-71	SMALL FIXED INDUCTOR(3.3NH)			CN3	G0B-0023-00	EARTH SPRING		
L582	L40-3963-92	SMALL FIXED INDUCTOR(3.9NH)			CN4	E40-6970-05	PIN ASSY(20P)		
L583	LK73H0AM10NJ	SMALL FIXED INDUCTOR(10NH)			CN7	J19-5386-05	HOLDER		
L584	LK73H0AM22NJ	SMALL FIXED INDUCTOR(22NH)			CN8	E40-6883-05	FLAT CABLE CONNECTOR(6P)		

Symbol No.	Part No.	Part Name	Description	Local
CN9	E40-6962-05	FLAT CABLE CONNECTOR(35P)		
CN10	E40-6720-05	SOCKET FOR PIN ASSY(20P)		
CN11	E40-6720-05	SOCKET FOR PIN ASSY(20P)		
CN12	E41-3167-05	FLAT CABLE CONNECTOR(14P)		
CN13	E41-1486-05	PIN ASSY(2P)		
CN14	G0B-0005-00	EARTH SPRING		
CN15	G0B-0005-00	EARTH SPRING		
CN16	G0B-0005-00	EARTH SPRING		
CN17	G0B-0005-00	EARTH SPRING		
CN18	G0B-0005-00	EARTH SPRING		
CN20	G0B-0005-00	EARTH SPRING		
CN21	G0B-0005-00	EARTH SPRING		
CN301	E23-1278-05	TERMINAL		
CN500	E23-1278-05	TERMINAL		
CN601	E23-1278-05	TERMINAL		
CN603	G0B-0002-00	EARTH SPRING		
CP100	RK74HB1J100J	NET RESISTOR	10 J 1/16W	
CP200	RK74HB1J100J	NET RESISTOR	10 J 1/16W	
CP600	RK74HB1J100J	NET RESISTOR	10 J 1/16W	
CP601	RK74HB1J100J	NET RESISTOR	10 J 1/16W	
CP700	RK74HB1J100J	NET RESISTOR	10 J 1/16W	
CP701	RK74HB1J101J	NET RESISTOR	100 J 1/16W	
CP702	RK74HB1J101J	NET RESISTOR	100 J 1/16W	
CP850	RK74HB1J100J	NET RESISTOR	10 J 1/16W	
CP851	RK74HB1J100J	NET RESISTOR	10 J 1/16W	
CP900	RK74HB1J100J	NET RESISTOR	10 J 1/16W	
CP901	RK74HB1J101J	NET RESISTOR	100 J 1/16W	
CP902	RK74HB1J101J	NET RESISTOR	100 J 1/16W	
CP903	RK74HB1J101J	NET RESISTOR	100 J 1/16W	
CP904	RK74HB1J101J	NET RESISTOR	100 J 1/16W	
CP905	RK74HB1J100J	NET RESISTOR	10 J 1/16W	
CP906	RK74HB1J100J	NET RESISTOR	10 J 1/16W	
CP907	RK74HA1J100J	NET RESISTOR	10 J 1/16W	
CP908	RK74HB1J100J	NET RESISTOR	10 J 1/16W	
CP909	RK74HB1J104J	NET RESISTOR	100K J 1/16W	
CP910	RK74HB1J101J	NET RESISTOR	100 J 1/16W	
E1	F10-3224-05	SHIELDING CASE		
E3	F10-3244-05	SHIELDING CASE		
E4	F10-3236-05	SHIELDING CASE		
E5	F10-3246-05	SHIELDING CASE		
E6	F10-3228-05	SHIELDING CASE		
F1	FZA10BQ-3R15	FUSE(3.15A)		
F2	F53-0498-05	FUSE(1.0A)		
J1	E68-0426-05	JACK OTHERS		
S1	S70-0530-05	TACT SWITCH		
S2	S68-0931-05	PUSH SWITCH		
TH400	ERTJ0V104H	NEGATIVE TEMP THERMISTOR		
TH700	ERTJ0V104H	NEGATIVE TEMP THERMISTOR		
X700	L77-3123-05	TCXO(19.2MHZ)		
X701	L77-1802-05	CRYSTAL RESONATOR(32.768KHZ)		
X850	L77-3121-05	CRYSTAL RESONATOR(32.768KHZ)		
XF670	L7B-0001-00	MCF		