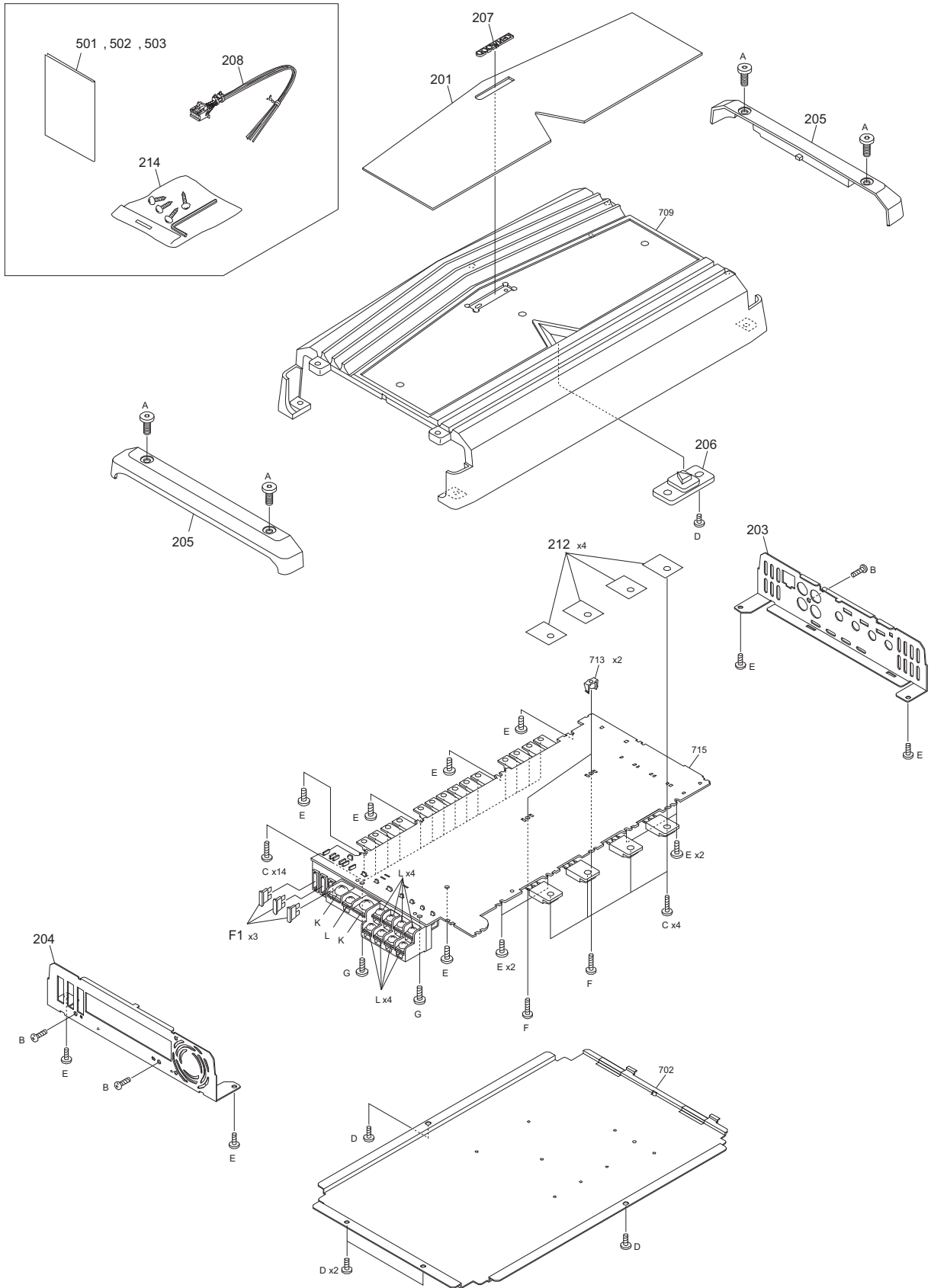


EXPLODED VIEW

Block No.200



Parts with the exploded numbers larger than 700 are not supplied.

MODEL	MARK	MODEL	MARK	MODEL	MARK
KAC-9106D	K0	KAC-9106D	E1	KAC-PS917D	M1

Safe	Symbol No.	Parts No.	Parts Name	Description	QTY	Local
------	------------	-----------	------------	-------------	-----	-------

EXPLODED VIEW <200>

△	F1	F52-0046-05	FUSE		3	
	A	N09-6898-05	DRESSED SCREW		4	
	B	N80-3010-43	PAN HEAD TAPTITE SCREW		3	
	C	N89-2612-48	BI.HEAD T.SCREW		18	
	D	N89-3006-43	BI.HEAD T.SCREW		5	
	E	N89-3008-48	BI.HEAD T.SCREW		13	
	F	N89-3012-48	BI.HEAD T.SCREW		2	
	G	N09-6447-05	TAPTITE SCREW		2	
	K	N09-6393-08	SCREW	M6-Ni	2	
	L	N09-4215-08	SCREW	M4-Ni	9	
	201	A21-6931-11	DRESSING PANEL		1	K0,E1
	201	A21-6932-11	DRESSING PANEL		1	M1
	203	A64-5536-01	PANEL(F)		1	
	204	A64-5537-01	PANEL(R)		1	
	205	B07-3366-22	ESCUTCHEON		2	
	206	B19-2586-14	LIGHTING BOARD		1	
	207	B43-0336-04	BADGE		1	
	208	E30-6145-05	CON.CORD ASSY		1	
	212	F20-2450-04	INS.SHEET		4	
	214	N99-1820-05	SCREW WRENCH SET		1	
	501	B64-5141-00	INST.MANUAL	ENG.FRE.SPA.	1	K0,E1
	501	B64-5144-00	INST.MANUAL	ENG.CHI.	1	M1
	502	B64-5142-00	INST.MANUAL	GER.DUT.ITA.	1	E1
	503	B64-5143-00	INST.MANUAL	POL.RUS.UKR.	1	E1

MODEL	MARK	MODEL	MARK	MODEL	MARK
KAC-9106D	K0	KAC-9106D	E1	KAC-PS917D	M1

Safe	Symbol No.	Parts No.	Parts Name	Description	QTY	Local
AUDIO UNIT (X09-9200-10) <X09>						
	IC111	BA4560RF	ANALOGUE IC		1	
	IC121	BA4560RF	ANALOGUE IC		1	
	IC131	BA4560RF	ANALOGUE IC		1	
	IC151	BA4560RF	ANALOGUE IC		1	
	IC161	BA4560RF	ANALOGUE IC		1	
	IC171	BA4560RF	ANALOGUE IC		1	
	IC201	BA4560RF	ANALOGUE IC		1	
	IC221	BA2903F	MOS IC		1	
	IC241	SN74HC00D	MOS IC		1	
	IC251	74HC3GU04DP	MOS IC		1	
	IC411	BA2903F	MOS IC		1	
	IC421	BA10358F	ANALOGUE IC		1	
	IC441	BA2903F	MOS IC		1	
	IC501	TL494IDR	ANALOGUE IC		1	
	IC701	BA10358F	ANALOGUE IC		1	
	IC741	BA10358F	ANALOGUE IC		1	
	Q271	DTA114EUA	TRANSISTOR		1	
	Q272	2SC4081	TRANSISTOR		1	
	Q303	2SA1576A	TRANSISTOR		1	
	Q304	BF723	TRANSISTOR		1	
	Q305	BF722	TRANSISTOR		1	
	Q306	BF723	TRANSISTOR		1	
	Q307	2SA1370	TRANSISTOR		1	
	Q321	BF722	TRANSISTOR		1	
	Q322	2SC3902	TRANSISTOR		1	
	Q323	2SB1427	TRANSISTOR		1	
	Q324	2SB1427	TRANSISTOR		1	
	Q325	BF722	TRANSISTOR		1	
	Q326	2SC3902	TRANSISTOR		1	
	Q333	IRFP250NPBF	FET		1	
	Q334	IRFP250NPBF	FET		1	
	Q335	IRFP250NPBF	FET		1	
	Q336	IRFP250NPBF	FET		1	
	Q371	2SA1163-F	TRANSISTOR		1	
	Q372	2SA1163-F	TRANSISTOR		1	
	Q376	2SC2713-F	TRANSISTOR		1	
	Q401	2SC2713-F	TRANSISTOR		1	
	Q402	2SA1163-F	TRANSISTOR		1	
	Q411	DTC114EUA	TRANSISTOR		1	
	Q412	DTC114EUA	TRANSISTOR		1	
	Q414	DTC114EUA	TRANSISTOR		1	
	Q415	DTC114EUA	TRANSISTOR		1	
	Q431	2SA1576A	TRANSISTOR		1	
	Q432	2SC4081	TRANSISTOR		1	
	Q451	2SC4081	TRANSISTOR		1	
	Q452	2SC4081	TRANSISTOR		1	
	Q502	DTA114EUA	TRANSISTOR		1	
	Q516	DTC114EUA	TRANSISTOR		1	
	Q517	DTC114EUA	TRANSISTOR		1	
	Q518	DTA114EUA	TRANSISTOR		1	
	Q519	DTC114EUA	TRANSISTOR		1	
	Q521	2SAR293P	TRANSISTOR		1	
	Q522	2SC4081	TRANSISTOR		1	
	Q523	2SC4081	TRANSISTOR		1	
	Q532	2SC4081	TRANSISTOR		1	
	Q561	STP60NF06FP	FET		1	
	Q562	STP60NF06FP	FET		1	
	Q563	STP60NF06FP	FET		1	
	Q564	STP60NF06FP	FET		1	
	Q565	STP60NF06FP	FET		1	
	Q566	STP60NF06FP	FET		1	
	Q567	STP60NF06FP	FET		1	
	Q568	STP60NF06FP	FET		1	
	Q571	2SAR293P	TRANSISTOR		1	
	Q572	2SAR293P	TRANSISTOR		1	
	Q581	DTC114EUA	TRANSISTOR		1	
	Q651	2SC4883ANF	TRANSISTOR		1	
	Q652	2SA1859ANF	TRANSISTOR		1	
	Q691	BF722	TRANSISTOR		1	
	Q781	2SA1576A	TRANSISTOR		1	
	Q785	2SC4081	TRANSISTOR		1	
	Q787	DTC114EUA	TRANSISTOR		1	
	Q791	2SC4081	TRANSISTOR		1	
	Q795	DTA114EUA	TRANSISTOR		1	
	D109	DZ2J150M	Z DIODE		1	
	D110	DZ2J150M	Z DIODE		1	
	D111	LM1MA142WK-G	DIODE		1	
	D112	LM1MA142WA-G	DIODE		1	
	D135	DZ2J270M	Z DIODE		1	
	D138	DZ2J270M	Z DIODE		1	
	D197	LM1MA142WK-G	DIODE		1	
	D198	LM1MA142WA-G	DIODE		1	
	D221	DA2J101	DIODE		1	
	D222	DZ2J056M	Z DIODE		1	
	D223	DZ2J056M	Z DIODE		1	
	D241	DA2J101	DIODE		1	
	D245	DA2J101	DIODE		1	
	D246	DA2J101	DIODE		1	
	D249	DZ2J051M	Z DIODE		1	
	D273	DA2J101	DIODE		1	
	D378	DA2J101	DIODE		1	

MODEL	MARK	MODEL	MARK	MODEL	MARK
KAC-9106D	K0	KAC-9106D	E1	KAC-PS917D	M1

Safe	Symbol No.	Parts No.	Parts Name	Description	QTY	Local
	D405	DA2J101	DIODE		1	
	D406	DA2J101	DIODE		1	
	D412	DZ2J120M	Z DIODE		1	
	D413	DZ2J110M	Z DIODE		1	
	D421	DA2J101	DIODE		1	
	D422	DA2J101	DIODE		1	
	D424	DA2J101	DIODE		1	
	D426	DA2J101	DIODE		1	
	D434	DA2J101	DIODE		1	
	D441	DA2J101	DIODE		1	
	D516	DA2J101	DIODE		1	
	D517	DA2J101	DIODE		1	
	D522	DZ2J068M	Z DIODE		1	
	D523	DZ2J033M	Z DIODE		1	
	D524	DZ2J150M	Z DIODE		1	
	D531	DA2J101	DIODE		1	
	D532	DA2J101	DIODE		1	
	D571	DA2J101	DIODE		1	
	D572	DA2J101	DIODE		1	
	D581	B30-1743-05	LED(RE D LED)		1	
	D591	DA2J101	DIODE		1	
	D592	DA2J101	DIODE		1	
	D594	DZ2J033M	Z DIODE		1	
	D601	FCH10A20	SCHOTTKY BARRIER DIODE		1	
	D602	FRH10A20	SCHOTTKY BARRIER DIODE		1	
	D611	FCH10A20	SCHOTTKY BARRIER DIODE		1	
	D612	FRH10A20	SCHOTTKY BARRIER DIODE		1	
	D653	DZ2J150M	Z DIODE		1	
	D654	DZ2J150M	Z DIODE		1	
	D691	DZ2J150M	Z DIODE		1	
	D695	DA2J101	DIODE		1	
	D696	DA2J101	DIODE		1	
	D697	DA2J101	DIODE		1	
	D698	DA2J101	DIODE		1	
	D711	DA2J101	DIODE		1	
	D712	DA2J101	DIODE		1	
	D713	DA2J101	DIODE		1	
	D719	DZ2J051M	Z DIODE		1	
	D751	DA2J101	DIODE		1	
	D752	DA2J101	DIODE		1	
	D782	DA2J101	DIODE		1	
	D783	DA2J101	DIODE		1	
	D785	DA2J101	DIODE		1	
	D786	DA2J101	DIODE		1	
	D787	DZ2J051M	Z DIODE		1	
	D789	DA2J101	DIODE		1	
	D795	DA2J101	DIODE		1	
	C101	CK73GBB1H102K	C CAPACITOR	1000pF 50V K	1	
	C102	CK73GBB1H102K	C CAPACITOR	1000pF 50V K	1	
	C105	CD04BJ1H220M	E CAPACITOR	22uF 50V M	1	
	C108	CK73GBB1H103K	C CAPACITOR	0.01uF 50V K	1	
	C110	CK73GBB1H103K	C CAPACITOR	0.01uF 50V K	1	
	C111	CC73GCH1H470J	C CAPACITOR	47pF 50V J	1	
	C112	CC73GCH1H330J	C CAPACITOR	33pF 50V J	1	
	C119	CK73GBB1H103K	C CAPACITOR	0.01uF 50V K	1	
	C120	CK73GBB1H103K	C CAPACITOR	0.01uF 50V K	1	
	C122	CC73GCH1H470J	C CAPACITOR	47pF 50V J	1	
	C123	CC73GCH1H470J	C CAPACITOR	47pF 50V J	1	
	C124	CC73GCH1H330J	C CAPACITOR	33pF 50V J	1	
	C129	CK73GBB1H103K	C CAPACITOR	0.01uF 50V K	1	
	C130	CK73GBB1H103K	C CAPACITOR	0.01uF 50V K	1	
	C132	CD04BJ1HR33M	E CAPACITOR	0.33uF 50V M	1	
	C133	CD04BJ1HR33M	E CAPACITOR	0.33uF 50V M	1	
	C136	CD04BJ1HR22M	E CAPACITOR	0.22uF 50V M	1	
	C137	CD04BJ1H0R1M	E CAPACITOR	0.1uF 50V M	1	
	C139	CK73GBB1H103K	C CAPACITOR	0.01uF 50V K	1	
	C140	CK73GBB1H103K	C CAPACITOR	0.01uF 50V K	1	
	C153	CC73GCH1H101J	C CAPACITOR	100pF 50V J	1	
	C156	CK73GB1H104K	C CAPACITOR	0.1uF 50V K	1	
	C157	CD04BJ1H4R7M	E CAPACITOR	4.7uF 50V M	1	
	C159	CK73GBB1H103K	C CAPACITOR	0.01uF 50V K	1	
	C160	CK73GBB1H103K	C CAPACITOR	0.01uF 50V K	1	
	C161	CC73GCH1H101J	C CAPACITOR	100pF 50V J	1	
	C172	CK73GB1H683K	C CAPACITOR		1	
	C173	CK73GB1H104K	C CAPACITOR	0.1uF 50V K	1	
	C175	CK73GBB1H223K	C CAPACITOR	0.022uF 50V K	1	
	C181	CK73GBB1C224K	C CAPACITOR	0.22uF 16V K	1	
	C182	CK73GBB1H223K	C CAPACITOR	0.022uF 50V K	1	
	C184	CK73GBB1H333K	C CAPACITOR	0.033uF 50V K	1	
	C189	CK73GBB1H103K	C CAPACITOR	0.01uF 50V K	1	
	C190	CK73GBB1H103K	C CAPACITOR	0.01uF 50V K	1	
	C193	CD04BJ1H100M	E CAPACITOR	10uF 50V M	1	
	C194	CD04BJ1H100M	E CAPACITOR	10uF 50V M	1	
	C195	CD04BJ1H100M	E CAPACITOR	10uF 50V M	1	
	C196	CD04BJ1H100M	E CAPACITOR	10uF 50V M	1	
	C201	CD04BJ1H220M	E CAPACITOR	22uF 50V M	1	
	C203	CK73GB1H104K	C CAPACITOR	0.1uF 50V K	1	
	C205	CC73GCH1H331J	C CAPACITOR	330pF 50V J	1	
	C206	CD04BJ1A101M	E CAPACITOR	100uF 10V M	1	
	C208	CK73GBB1H102K	C CAPACITOR	1000pF 50V K	1	

MODEL	MARK	MODEL	MARK	MODEL	MARK
KAC-9106D	K0	KAC-9106D	E1	KAC-PS917D	M1

Safe	Symbol No.	Parts No.	Parts Name	Description	QTY	Local
	C210	CD04BJ1H220M	E CAPACITOR	22uF 50V M	1	
	C211	CK73GBB1H102K	C CAPACITOR	1000pF 50V K	1	
	C225	CC73GCH1H331J	C CAPACITOR	330pF 50V J	1	
	C226	CK73GBB1H103K	C CAPACITOR	0.01uF 50V K	1	
	C229	CK73GB1H104K	C CAPACITOR	0.1uF 50V K	1	
	C230	CK73GB1H104K	C CAPACITOR	0.1uF 50V K	1	
	C245	CC73GCH1H560J	C CAPACITOR	56pF 50V J	1	
	C246	CC73GCH1H470J	C CAPACITOR	47pF 50V J	1	
	C249	CD04BJ1E470M	E CAPACITOR	47uF 25V M	1	
	C250	CK73GBB1H103K	C CAPACITOR	0.01uF 50V K	1	
	C275	CK73GBB1H682K	C CAPACITOR	6800pF 50V K	1	
	C340	CK73GBB1H103K	C CAPACITOR	0.01uF 50V K	1	
	C342	CD04BJ1E101M	E CAPACITOR	100uF 25V M	1	
	C351	CK73GBB1H472K	C CAPACITOR	4700pF 50V K	1	
	C352	CK73GBB1H472K	C CAPACITOR	4700pF 50V K	1	
	C353	CK73GBB1H472K	C CAPACITOR	4700pF 50V K	1	
	C354	C91-2290-05	MM CAPACITOR		1	
	C355	C91-2290-05	MM CAPACITOR		1	
	C356	CK73GB1H104K	C CAPACITOR	0.1uF 50V K	1	
	C357	CK73GB1H104K	C CAPACITOR	0.1uF 50V K	1	
	C358	CK73GB1H104K	C CAPACITOR	0.1uF 50V K	1	
	C371	CK73GBB1H102K	C CAPACITOR	1000pF 50V K	1	
	C372	CK73GBB1H102K	C CAPACITOR	1000pF 50V K	1	
	C376	CK73GBB1H103K	C CAPACITOR	0.01uF 50V K	1	
	C381	C91-2309-05	M CAPACITOR		1	
	C382	C91-2309-05	M CAPACITOR		1	
	C383	CE32BF1H220M	E CAPACITOR	22uF 50V M	1	
	C384	CE32BF1H220M	E CAPACITOR	22uF 50V M	1	
	C385	CE32BF1H220M	E CAPACITOR	22uF 50V M	1	
	C386	CE32BF1H220M	E CAPACITOR	22uF 50V M	1	
	C390	C91-2290-05	MM CAPACITOR		1	
	C401	CC73GCH1H681J	C CAPACITOR	680pF 50V J	1	
	C405	CC73GCH1H681J	C CAPACITOR	680pF 50V J	1	
	C414	CK73GBB1H103K	C CAPACITOR	0.01uF 50V K	1	
	C415	CK73GBB1H103K	C CAPACITOR	0.01uF 50V K	1	
	C420	CK73GBB1H103K	C CAPACITOR	0.01uF 50V K	1	
	C421	CK73EB1E106K	C CAPACITOR	10uF 25V K	1	
	C428	CK73GBB1C105K	C CAPACITOR	1uF 16V K	1	
	C429	CK73GBB1H103K	C CAPACITOR	0.01uF 50V K	1	
	C430	CK73GBB1H103K	C CAPACITOR	0.01uF 50V K	1	
	C432	CK73GBB1H103K	C CAPACITOR	0.01uF 50V K	1	
	C433	CK73FBB1C684K	C CAPACITOR	0.68uF 16V K	1	
	C434	CK73GBB1H102K	C CAPACITOR	1000pF 50V K	1	
	C444	CD04BJ1E470M	E CAPACITOR	47uF 25V M	1	
	C449	CK73GBB1H103K	C CAPACITOR	0.01uF 50V K	1	
	C451	CD04BJ1A101M	E CAPACITOR	100uF 10V M	1	
	C502	CD04BJ1E470M	E CAPACITOR	47uF 25V M	1	
	C505	CC73GCH1H102J	C CAPACITOR	1000pF 50V J	1	
	C511	CK73GB1H104K	C CAPACITOR	0.1uF 50V K	1	
	C513	CK73GB1H104K	C CAPACITOR	0.1uF 50V K	1	
	C516	CK73GB1H104K	C CAPACITOR	0.1uF 50V K	1	
	C517	CC73GCH1H102J	C CAPACITOR	1000pF 50V J	1	
	C518	CK73GBB1C105K	C CAPACITOR	1uF 16V K	1	
	C524	CK73GBB1H103K	C CAPACITOR	0.01uF 50V K	1	
	C526	CC73GCH1H102J	C CAPACITOR	1000pF 50V J	1	
	C531	CD04BJ1H100M	E CAPACITOR	10uF 50V M	1	
	C551	C90-6936-05	E CAPACITOR		1	
	C552	C90-6936-05	E CAPACITOR		1	
	C553	CK73GBB1H222K	C CAPACITOR	2200pF 50V K	1	
	C555	CK73GBB1H222K	C CAPACITOR	2200pF 50V K	1	
	C556	CK73GBB1H222K	C CAPACITOR	2200pF 50V K	1	
	C591	CK73GBB1H103K	C CAPACITOR	0.01uF 50V K	1	
	C594	CK73GBB1H103K	C CAPACITOR	0.01uF 50V K	1	
	C601	C90-6933-05	E CAPACITOR		1	
	C602	C90-6933-05	E CAPACITOR		1	
	C611	CK73GBB1H332K	C CAPACITOR	3300pF 50V K	1	
	C612	CK73GBB1H332K	C CAPACITOR	3300pF 50V K	1	
	C613	CK73GBB1H332K	C CAPACITOR	3300pF 50V K	1	
	C614	CK73GBB1H332K	C CAPACITOR	3300pF 50V K	1	
	C615	CK73GBB1H332K	C CAPACITOR	3300pF 50V K	1	
	C616	CK73GBB1H332K	C CAPACITOR	3300pF 50V K	1	
	C621	CC73GCH1H020C	C CAPACITOR	2pF 50V C	1	
	C622	CC73GCH1H020C	C CAPACITOR	2pF 50V C	1	
	C623	CC73GCH1H020C	C CAPACITOR	2pF 50V C	1	
	C624	CC73GCH1H020C	C CAPACITOR	2pF 50V C	1	
	C625	CC73GCH1H020C	C CAPACITOR	2pF 50V C	1	
	C626	CC73GCH1H020C	C CAPACITOR	2pF 50V C	1	
	C631	CK73GBB1H332K	C CAPACITOR	3300pF 50V K	1	
	C632	CK73GBB1H332K	C CAPACITOR	3300pF 50V K	1	
	C633	CK73GBB1H332K	C CAPACITOR	3300pF 50V K	1	
	C634	CK73GBB1H332K	C CAPACITOR	3300pF 50V K	1	
	C635	CK73GBB1H332K	C CAPACITOR	3300pF 50V K	1	
	C636	CK73GBB1H332K	C CAPACITOR	3300pF 50V K	1	
	C641	CC73GCH1H020C	C CAPACITOR	2pF 50V C	1	
	C642	CC73GCH1H020C	C CAPACITOR	2pF 50V C	1	
	C643	CC73GCH1H020C	C CAPACITOR	2pF 50V C	1	
	C644	CC73GCH1H020C	C CAPACITOR	2pF 50V C	1	
	C645	CC73GCH1H020C	C CAPACITOR	2pF 50V C	1	
	C646	CC73GCH1H020C	C CAPACITOR	2pF 50V C	1	
	C653	CK73EB1E106K	C CAPACITOR	10uF 25V K	1	
	C654	CK73EB1E106K	C CAPACITOR	10uF 25V K	1	
	C671	CD04BJ1E470M	E CAPACITOR	47uF 25V M	1	
	C672	CD04BJ1E470M	E CAPACITOR	47uF 25V M	1	
	C680	CK73GBB1H103K	C CAPACITOR	0.01uF 50V K	1	
	C691	CK73EB1E106K	C CAPACITOR	10uF 25V K	1	

MODEL	MARK	MODEL	MARK	MODEL	MARK
KAC-9106D	K0	KAC-9106D	E1	KAC-PS917D	M1

Safe	Symbol No.	Parts No.	Parts Name	Description	QTY	Local
	C692	CD04BJ1E470M	E CAPACITOR	47uF 25V M	1	
	C695	CD04BJ1H470M	E CAPACITOR	47uF 50V M	1	
	C719	CK73GB1H104K	C CAPACITOR	0.1uF 50V K	1	
	C720	CK73GBB1H103K	C CAPACITOR	0.01uF 50V K	1	
	C752	CC73GCH1H102J	C CAPACITOR	1000pF 50V J	1	
	C759	CK73GBB1H103K	C CAPACITOR	0.01uF 50V K	1	
	C760	CK73GBB1H103K	C CAPACITOR	0.01uF 50V K	1	
	C781	CK73GBB1H103K	C CAPACITOR	0.01uF 50V K	1	
	C782	CD04BJ1H100M	E CAPACITOR	10uF 50V M	1	
	C785	CK73GBB1H103K	C CAPACITOR	0.01uF 50V K	1	
	C791	CK73EB1E106K	C CAPACITOR	10uF 25V K	1	
	C901	CK73GBB1H103K	C CAPACITOR	0.01uF 50V K	1	
	C902	CK73EB1E106K	C CAPACITOR	10uF 25V K	1	
	C904	CK73GB1H104K	C CAPACITOR	0.1uF 50V K	1	
	C905	CK73GBB1H103K	C CAPACITOR	0.01uF 50V K	1	
	C911	CK73GBB1H103K	C CAPACITOR	0.01uF 50V K	1	
	C912	CK73GBB1H103K	C CAPACITOR	0.01uF 50V K	1	
	C913	CK73GBB1H103K	C CAPACITOR	0.01uF 50V K	1	
	R101	RK73EB2E102J	MG RESISTOR	1kΩ 1/4W J	1	
	R102	RK73EB2E102J	MG RESISTOR	1kΩ 1/4W J	1	
	R103	RK73GB2A123J	MG RESISTOR	12kΩ 1/10W J	1	
	R104	RK73GB2A123J	MG RESISTOR	12kΩ 1/10W J	1	
	R105	RK73GB2A273J	MG RESISTOR	27kΩ 1/10W J	1	
	R106	RK73GB2A273J	MG RESISTOR	27kΩ 1/10W J	1	
	R107	RK73GB2A153J	MG RESISTOR	15kΩ 1/10W J	1	
	R110	RK73EB2E562J	MG RESISTOR	5.6kΩ 1/4W J	1	
	R111	RK73GB2A333J	MG RESISTOR	33kΩ 1/10W J	1	
	R112	RK73GB2A123J	MG RESISTOR	12kΩ 1/10W J	1	
	R121	RK73GH2A103D	MG RESISTOR	10kΩ 1/10W D	1	
	R122	RK73GH2A103D	MG RESISTOR	10kΩ 1/10W D	1	
	R123	RK73GH2A103D	MG RESISTOR	10kΩ 1/10W D	1	
	R124	RK73GH2A103D	MG RESISTOR	10kΩ 1/10W D	1	
	R125	RK73GB2A102J	MG RESISTOR	1kΩ 1/10W J	1	
	R126	RK73GB2A104J	MG RESISTOR	100kΩ 1/10W J	1	
	R129	RK73GB2A431J	MG RESISTOR	430Ω 1/10W J	1	
	R132	RK73GB2A822J	MG RESISTOR	8.2kΩ 1/10W J	1	
	R134	RK73GB2A113J	MG RESISTOR	11kΩ 1/10W J	1	
	R135	RK73GB2A222J	MG RESISTOR	2.2kΩ 1/10W J	1	
	R136	RK73GB2A822J	MG RESISTOR	8.2kΩ 1/10W J	1	
	R137	RK73GB2A623J	MG RESISTOR	62kΩ 1/10W J	1	
	R138	RK73GB2A222J	MG RESISTOR	2.2kΩ 1/10W J	1	
	R151	RK73GB2A102J	MG RESISTOR	1kΩ 1/10W J	1	
	R152	RK73GB2A223J	MG RESISTOR	22kΩ 1/10W J	1	
	R153	RK73GB2A222J	MG RESISTOR	2.2kΩ 1/10W J	1	
	R156	RK73GB2A154J	MG RESISTOR	150kΩ 1/10W J	1	
	R157	RK73GB2A241J	MG RESISTOR	240Ω 1/10W J	1	
	R161	RK73GB2A103J	MG RESISTOR	10kΩ 1/10W J	1	
	R162	RK73GB2A152J	MG RESISTOR	1.5kΩ 1/10W J	1	
	R163	RK73GB2A102J	MG RESISTOR	1kΩ 1/10W J	1	
	R171	RK73GB2A392J	MG RESISTOR	3.9kΩ 1/10W J	1	
	R172	RK73GB2A113J	MG RESISTOR	11kΩ 1/10W J	1	
	R173	RK73GB2A183J	MG RESISTOR	18kΩ 1/10W J	1	
	R174	RK73GB2A222J	MG RESISTOR	2.2kΩ 1/10W J	1	
	R175	RK73GB2A153J	MG RESISTOR	15kΩ 1/10W J	1	
	R181	RK73GB2A153J	MG RESISTOR	15kΩ 1/10W J	1	
	R182	RK73GB2A272J	MG RESISTOR	2.7kΩ 1/10W J	1	
	R183	RK73GB2A222J	MG RESISTOR	2.2kΩ 1/10W J	1	
	R184	RK73GB2A153J	MG RESISTOR	15kΩ 1/10W J	1	
	R193	RK73EB2E473J	MG RESISTOR	47kΩ 1/4W J	1	
	R194	RK73EB2E473J	MG RESISTOR	47kΩ 1/4W J	1	
	R195	RK73EB2E473J	MG RESISTOR	47kΩ 1/4W J	1	
	R196	RK73EB2E473J	MG RESISTOR	47kΩ 1/4W J	1	
	R197	RK73GB2A913J	MG RESISTOR	91kΩ 1/10W J	1	
	R198	RK73GB2A913J	MG RESISTOR	91kΩ 1/10W J	1	
	R201	RK73GB2A622J	MG RESISTOR	6.2kΩ 1/10W J	1	
	R202	RK73GB2A104J	MG RESISTOR	100kΩ 1/10W J	1	
	R203	RK73GB2A102J	MG RESISTOR	1kΩ 1/10W J	1	
	R204	RK73GB2A471J	MG RESISTOR	470Ω 1/10W J	1	
	R205	RK73GB2A684J	MG RESISTOR	680kΩ 1/10W J	1	
	R206	RK73GB2A102J	MG RESISTOR	1kΩ 1/10W J	1	
	R207	RK73EB2E123J	MG RESISTOR	12kΩ 1/4W J	1	
	R208	RK73EB2E123J	MG RESISTOR	12kΩ 1/4W J	1	
	R209	RK73GB2A683J	MG RESISTOR	68kΩ 1/10W J	1	
	R210	RK73GB2A132J	MG RESISTOR	1.3kΩ 1/10W J	1	
	R211	RK73GB2A103J	MG RESISTOR	10kΩ 1/10W J	1	
	R212	RK73GB2A103J	MG RESISTOR	10kΩ 1/10W J	1	
	R221	RK73GB2A622J	MG RESISTOR	6.2kΩ 1/10W J	1	
	R222	RK73GB2A622J	MG RESISTOR	6.2kΩ 1/10W J	1	
	R223	RK73GB2A103J	MG RESISTOR	10kΩ 1/10W J	1	
	R224	RK73GB2A682J	MG RESISTOR	6.8kΩ 1/10W J	1	
	R225	RK73GB2A103J	MG RESISTOR	10kΩ 1/10W J	1	
	R226	RK73GB2A103J	MG RESISTOR	10kΩ 1/10W J	1	
	R227	RK73GB2A103J	MG RESISTOR	10kΩ 1/10W J	1	
	R228	RK73GB2A470J	MG RESISTOR	47Ω 1/10W J	1	
	R229	RK73GB2A100J	MG RESISTOR	10Ω 1/10W J	1	
	R230	RK73GB2A100J	MG RESISTOR	10Ω 1/10W J	1	
	R241	RK73GB2A392J	MG RESISTOR	3.9kΩ 1/10W J	1	
	R242	RK73GB2A112J	MG RESISTOR	1.1kΩ 1/10W J	1	
	R245	RK73GB2A183J	MG RESISTOR	18kΩ 1/10W J	1	
	R246	RK73GB2A103J	MG RESISTOR	10kΩ 1/10W J	1	
	R249	RK73EB2E681J	MG RESISTOR	680Ω 1/4W J	1	
	R271	RK73GB2A103J	MG RESISTOR	10kΩ 1/10W J	1	
	R272	RK73GB2A103J	MG RESISTOR	10kΩ 1/10W J	1	
	R273	RK73GB2A182J	MG RESISTOR	1.8kΩ 1/10W J	1	

MODEL	MARK	MODEL	MARK	MODEL	MARK
KAC-9106D	K0	KAC-9106D	E1	KAC-PS917D	M1

Safe	Symbol No.	Parts No.	Parts Name	Description	QTY	Local
	R301	RK73GB2A472J	MG RESISTOR	4.7kΩ 1/10W J	1	
	R302	RK73GB2A472J	MG RESISTOR	4.7kΩ 1/10W J	1	
	R303	RK73GB2A102J	MG RESISTOR	1kΩ 1/10W J	1	
	R304	RK73GB2A681J	MG RESISTOR	680Ω 1/10W J	1	
	R305	RK73GB2A391J	MG RESISTOR	390Ω 1/10W J	1	
	R306	RK73GB2A681J	MG RESISTOR	680Ω 1/10W J	1	
	R307	RK73EB2E103J	MG RESISTOR	10kΩ 1/4W J	1	
	R308	RK73EB2E103J	MG RESISTOR	10kΩ 1/4W J	1	
	R309	RK73GB2A241J	MG RESISTOR	240Ω 1/10W J	1	
	R311	RK73GB2A510J	MG RESISTOR	51Ω 1/10W J	1	
	R321	RK73EB2E510J	MG RESISTOR	51Ω 1/4W J	1	
	R322	RK73EB2E510J	MG RESISTOR	51Ω 1/4W J	1	
	R325	RK73EB2E510J	MG RESISTOR	51Ω 1/4W J	1	
	R326	RK73EB2E510J	MG RESISTOR	51Ω 1/4W J	1	
	R327	RK73EB2E151J	MG RESISTOR	150Ω 1/4W J	1	
	R328	RK73GB2A911J	MG RESISTOR	910Ω 1/10W J	1	
	R329	RK73EB2E181J	MG RESISTOR	180Ω 1/4W J	1	
	R331	RK73GB2A473J	MG RESISTOR	47kΩ 1/10W J	1	
	R332	RK73GB2A473J	MG RESISTOR	47kΩ 1/10W J	1	
	R333	RK73EB2E100J	MG RESISTOR	10Ω 1/4W J	1	
	R334	RK73EB2E100J	MG RESISTOR	10Ω 1/4W J	1	
	R335	RK73EB2E100J	MG RESISTOR	10Ω 1/4W J	1	
	R336	RK73EB2E100J	MG RESISTOR	10Ω 1/4W J	1	
	R341	R92-5576-05	MP RESISTOR	0.02Ω 5W	1	
	R351	RS14KB3D4R7JP	OMF RESISTOR		1	
	R361	R92-5576-05	MP RESISTOR	0.02Ω 5W	1	
	R362	R92-5576-05	MP RESISTOR	0.02Ω 5W	1	
	R371	RK73GB2A103J	MG RESISTOR	10kΩ 1/10W J	1	
	R372	RK73GB2A103J	MG RESISTOR	10kΩ 1/10W J	1	
	R373	RK73GB2A682J	MG RESISTOR	6.8kΩ 1/10W J	1	
	R374	RK73GB2A682J	MG RESISTOR	6.8kΩ 1/10W J	1	
	R376	RK73GB2A103J	MG RESISTOR	10kΩ 1/10W J	1	
	R377	RK73GB2A223J	MG RESISTOR	22kΩ 1/10W J	1	
	R378	RK73GB2A333J	MG RESISTOR	33kΩ 1/10W J	1	
	R381	RK73PB2H100J	MG RESISTOR	10Ω 1/2W J	1	
	R382	RK73PB2H100J	MG RESISTOR	10Ω 1/2W J	1	
	R391	RK73EB2E153J	MG RESISTOR	15kΩ 1/4W J	1	
	R392	RK73EB2E153J	MG RESISTOR	15kΩ 1/4W J	1	
	R393	RK73EB2E153J	MG RESISTOR	15kΩ 1/4W J	1	
	R394	RK73EB2E153J	MG RESISTOR	15kΩ 1/4W J	1	
	R401	RK73GB2A332J	MG RESISTOR	3.3kΩ 1/10W J	1	
	R402	RK73GB2A272J	MG RESISTOR	2.7kΩ 1/10W J	1	
	R403	RK73GB2A563J	MG RESISTOR	56kΩ 1/10W J	1	
	R404	RK73GB2A222J	MG RESISTOR	2.2kΩ 1/10W J	1	
	R405	RK73GB2A393J	MG RESISTOR	39kΩ 1/10W J	1	
	R411	RK73GB2A623J	MG RESISTOR	62kΩ 1/10W J	1	
	R412	RK73GB2A103J	MG RESISTOR	10kΩ 1/10W J	1	
	R413	RK73GB2A202J	MG RESISTOR	2kΩ 1/10W J	1	
	R415	RK73GB2A102J	MG RESISTOR	1kΩ 1/10W J	1	
	R421	RK73GB2A133J	MG RESISTOR	13kΩ 1/10W J	1	
	R422	RK73GB2A272J	MG RESISTOR	2.7kΩ 1/10W J	1	
	R423	RK73GB2A203J	MG RESISTOR	20kΩ 1/10W J	1	
	R424	RK73GB2A203J	MG RESISTOR	20kΩ 1/10W J	1	
	R425	RK73GB2A103J	MG RESISTOR	10kΩ 1/10W J	1	
	R426	RK73GB2A203J	MG RESISTOR	20kΩ 1/10W J	1	
	R427	RK73GB2A203J	MG RESISTOR	20kΩ 1/10W J	1	
	R428	RK73GB2A362J	MG RESISTOR	3.6kΩ 1/10W J	1	
	R429	RK73GB2A123J	MG RESISTOR	12kΩ 1/10W J	1	
	R431	RK73GB2A102J	MG RESISTOR	1kΩ 1/10W J	1	
	R432	RK73GB2A103J	MG RESISTOR	10kΩ 1/10W J	1	
	R433	RK73GB2A224J	MG RESISTOR	220kΩ 1/10W J	1	
	R434	RK73GB2A103J	MG RESISTOR	10kΩ 1/10W J	1	
	R441	RK73GB2A103J	MG RESISTOR	10kΩ 1/10W J	1	
	R442	RK73GB2A103J	MG RESISTOR	10kΩ 1/10W J	1	
	R443	RK73GB2A104J	MG RESISTOR	100kΩ 1/10W J	1	
	R444	RK73GB2A103J	MG RESISTOR	10kΩ 1/10W J	1	
	R445	RK73GB2A223J	MG RESISTOR	22kΩ 1/10W J	1	
	R451	RK73GB2A823J	MG RESISTOR	82kΩ 1/10W J	1	
	R452	RK73GB2A103J	MG RESISTOR	10kΩ 1/10W J	1	
	R453	RK73GB2A102J	MG RESISTOR	1kΩ 1/10W J	1	
	R456	RK73GB2A473J	MG RESISTOR	47kΩ 1/10W J	1	
	R459	RK73GB2A473J	MG RESISTOR	47kΩ 1/10W J	1	
	R501	RK73GB2A103J	MG RESISTOR	10kΩ 1/10W J	1	
	R502	RK73GB2A154J	MG RESISTOR	150kΩ 1/10W J	1	
	R504	RK73GB2A682J	MG RESISTOR	6.8kΩ 1/10W J	1	
	R506	RK73GB2A183J	MG RESISTOR	18kΩ 1/10W J	1	
	R508	RK73GB2A331J	MG RESISTOR	330Ω 1/10W J	1	
	R510	RK73GB2A203J	MG RESISTOR	20kΩ 1/10W J	1	
	R517	RK73GB2A222J	MG RESISTOR	2.2kΩ 1/10W J	1	
	R518	RK73GB2A472J	MG RESISTOR	4.7kΩ 1/10W J	1	
	R521	RK73GB2A682J	MG RESISTOR	6.8kΩ 1/10W J	1	
	R522	RK73GB2A392J	MG RESISTOR	3.9kΩ 1/10W J	1	
	R523	RK73GB2A682J	MG RESISTOR	6.8kΩ 1/10W J	1	
	R524	RK73GB2A152J	MG RESISTOR	1.5kΩ 1/10W J	1	
	R525	RK73GB2A392J	MG RESISTOR	3.9kΩ 1/10W J	1	
	R527	RK73EB2E392J	MG RESISTOR	3.9kΩ 1/4W J	1	
	R531	RK73GB2A103J	MG RESISTOR	10kΩ 1/10W J	1	
	R532	RK73GB2A104J	MG RESISTOR	100kΩ 1/10W J	1	
	R553	RK73PB2H100J	MG RESISTOR	10Ω 1/2W J	1	
	R555	RK73PB2H100J	MG RESISTOR	10Ω 1/2W J	1	
	R556	RK73PB2H100J	MG RESISTOR	10Ω 1/2W J	1	
	R561	RK73GB2A680J	MG RESISTOR	68Ω 1/10W J	1	
	R562	RK73GB2A680J	MG RESISTOR	68Ω 1/10W J	1	
	R563	RK73GB2A680J	MG RESISTOR	68Ω 1/10W J	1	

MODEL	MARK	MODEL	MARK	MODEL	MARK
KAC-9106D	K0	KAC-9106D	E1	KAC-PS917D	M1

Safe	Symbol No.	Parts No.	Parts Name	Description	QTY	Local
R564		RK73GB2A680J	MG RESISTOR	68Ω 1/10W J	1	
R565		RK73GB2A680J	MG RESISTOR	68Ω 1/10W J	1	
R566		RK73GB2A680J	MG RESISTOR	68Ω 1/10W J	1	
R567		RK73GB2A680J	MG RESISTOR	68Ω 1/10W J	1	
R568		RK73GB2A680J	MG RESISTOR	68Ω 1/10W J	1	
R571		RK73GB2A102J	MG RESISTOR	1kΩ 1/10W J	1	
R572		RK73GB2A102J	MG RESISTOR	1kΩ 1/10W J	1	
R573		RK73GB2A472J	MG RESISTOR	4.7kΩ 1/10W J	1	
R574		RK73GB2A472J	MG RESISTOR	4.7kΩ 1/10W J	1	
R581		RK73EB2E152J	MG RESISTOR	1.5kΩ 1/4W J	1	
R591		RK73EB2E102J	MG RESISTOR	1kΩ 1/4W J	1	
R592		RK73EB2E102J	MG RESISTOR	1kΩ 1/4W J	1	
R593		RK73GB2A223J	MG RESISTOR	22kΩ 1/10W J	1	
R595		RK73EB2E102J	MG RESISTOR	1kΩ 1/4W J	1	
R596		RK73EB2E102J	MG RESISTOR	1kΩ 1/4W J	1	
R601		RK73EB2E473J	MG RESISTOR	47kΩ 1/4W J	1	
R602		RK73EB2E473J	MG RESISTOR	47kΩ 1/4W J	1	
R603		RK73EB2E473J	MG RESISTOR	47kΩ 1/4W J	1	
R604		RK73EB2E473J	MG RESISTOR	47kΩ 1/4W J	1	
R611		RK73PB2H220J	MG RESISTOR	22Ω 1/2W J	1	
R612		RK73PB2H220J	MG RESISTOR	22Ω 1/2W J	1	
R621		RK73GB2A300J	MG RESISTOR	30Ω 1/10W J	1	
R622		RK73GB2A300J	MG RESISTOR	30Ω 1/10W J	1	
R631		RK73PB2H220J	MG RESISTOR	22Ω 1/2W J	1	
R632		RK73PB2H220J	MG RESISTOR	22Ω 1/2W J	1	
R641		RK73GB2A300J	MG RESISTOR	30Ω 1/10W J	1	
R642		RK73GB2A300J	MG RESISTOR	30Ω 1/10W J	1	
R651		RK73GB2A101J	MG RESISTOR	100Ω 1/10W J	1	
R652		RK73GB2A101J	MG RESISTOR	100Ω 1/10W J	1	
R653		RK73GB2A101J	MG RESISTOR	100Ω 1/10W J	1	
R654		RK73GB2A101J	MG RESISTOR	100Ω 1/10W J	1	
R655		RK73EB2E473J	MG RESISTOR	47kΩ 1/4W J	1	
R656		RK73EB2E473J	MG RESISTOR	47kΩ 1/4W J	1	
R657		RK73EB2E473J	MG RESISTOR	47kΩ 1/4W J	1	
R658		RK73EB2E473J	MG RESISTOR	47kΩ 1/4W J	1	
R659		RK73EB2E473J	MG RESISTOR	47kΩ 1/4W J	1	
R660		RK73EB2E473J	MG RESISTOR	47kΩ 1/4W J	1	
R671		RK73EB2E4R7J	MG RESISTOR	4.7Ω 1/4W J	1	
R672		RK73EB2E4R7J	MG RESISTOR	4.7Ω 1/4W J	1	
R691		RK73GB2A562J	MG RESISTOR	5.6kΩ 1/10W J	1	
R701		RK73GB2A473J	MG RESISTOR	47kΩ 1/10W J	1	
R702		RK73GB2A123J	MG RESISTOR	12kΩ 1/10W J	1	
R703		RK73GB2A474J	MG RESISTOR	470kΩ 1/10W J	1	
R705		RK73GB2A102J	MG RESISTOR	1kΩ 1/10W J	1	
R711		RK73GB2A103J	MG RESISTOR	10kΩ 1/10W J	1	
R712		RK73GB2A103J	MG RESISTOR	10kΩ 1/10W J	1	
R713		RK73GB2A103J	MG RESISTOR	10kΩ 1/10W J	1	
R714		RK73GB2A473J	MG RESISTOR	47kΩ 1/10W J	1	
R719		RK73GB2A332J	MG RESISTOR	3.3kΩ 1/10W J	1	
R721		RK73GB2A153J	MG RESISTOR	15kΩ 1/10W J	1	
R723		RK73GB2A333J	MG RESISTOR	33kΩ 1/10W J	1	
R724		RK73GB2A153J	MG RESISTOR	15kΩ 1/10W J	1	
R741		RK73GB2A101J	MG RESISTOR	100Ω 1/10W J	1	
R751		RK73GB2A103J	MG RESISTOR	10kΩ 1/10W J	1	
R752		RK73GB2A103J	MG RESISTOR	10kΩ 1/10W J	1	
R781		RK73GB2A333J	MG RESISTOR	33kΩ 1/10W J	1	
R782		RK73GB2A753J	MG RESISTOR	75kΩ 1/10W J	1	
R783		RK73GB2A101J	MG RESISTOR	100Ω 1/10W J	1	
R784		RK73GB2A101J	MG RESISTOR	100Ω 1/10W J	1	
R785		RK73GB2A103J	MG RESISTOR	10kΩ 1/10W J	1	
R786		RK73GB2A103J	MG RESISTOR	10kΩ 1/10W J	1	
R787		RK73GB2A223J	MG RESISTOR	22kΩ 1/10W J	1	
R791		RK73GB2A103J	MG RESISTOR	10kΩ 1/10W J	1	
R792		RK73GB2A102J	MG RESISTOR	1kΩ 1/10W J	1	
R793		RK73GB2A333J	MG RESISTOR	33kΩ 1/10W J	1	
R794		RK73GB2A183J	MG RESISTOR	18kΩ 1/10W J	1	
VR121		R31-0258-05	VARIABLE RESISTOR	10K(A)	1	
VR131		R31-0257-05	VARIABLE RESISTOR	50K(C)	1	
VR151		R31-0274-05	VARIABLE RESISTOR	10K(C)	1	
VR171		R31-0257-05	VARIABLE RESISTOR	50K(C)	1	
L351		L33-2465-15	CHOKE COIL		1	
T551		L19-0855-05	CONVERT TRANS		1	
T552		L19-0855-05	CONVERT TRANS		1	
CN191		E58-1120-05	R.RECEPTACLE		1	
J101		E63-0966-05	PIN JACK		1	
J901		E70-0877-05	SCREW TER.BOARD		1	
TH711		NCP18WB473J0S	THERMISTOR	47kΩ	1	
TH712		NCP18WB473J0S	THERMISTOR	47kΩ	1	
TH713		NCP18WB473J0S	N THERMISTOR	47kΩ	1	