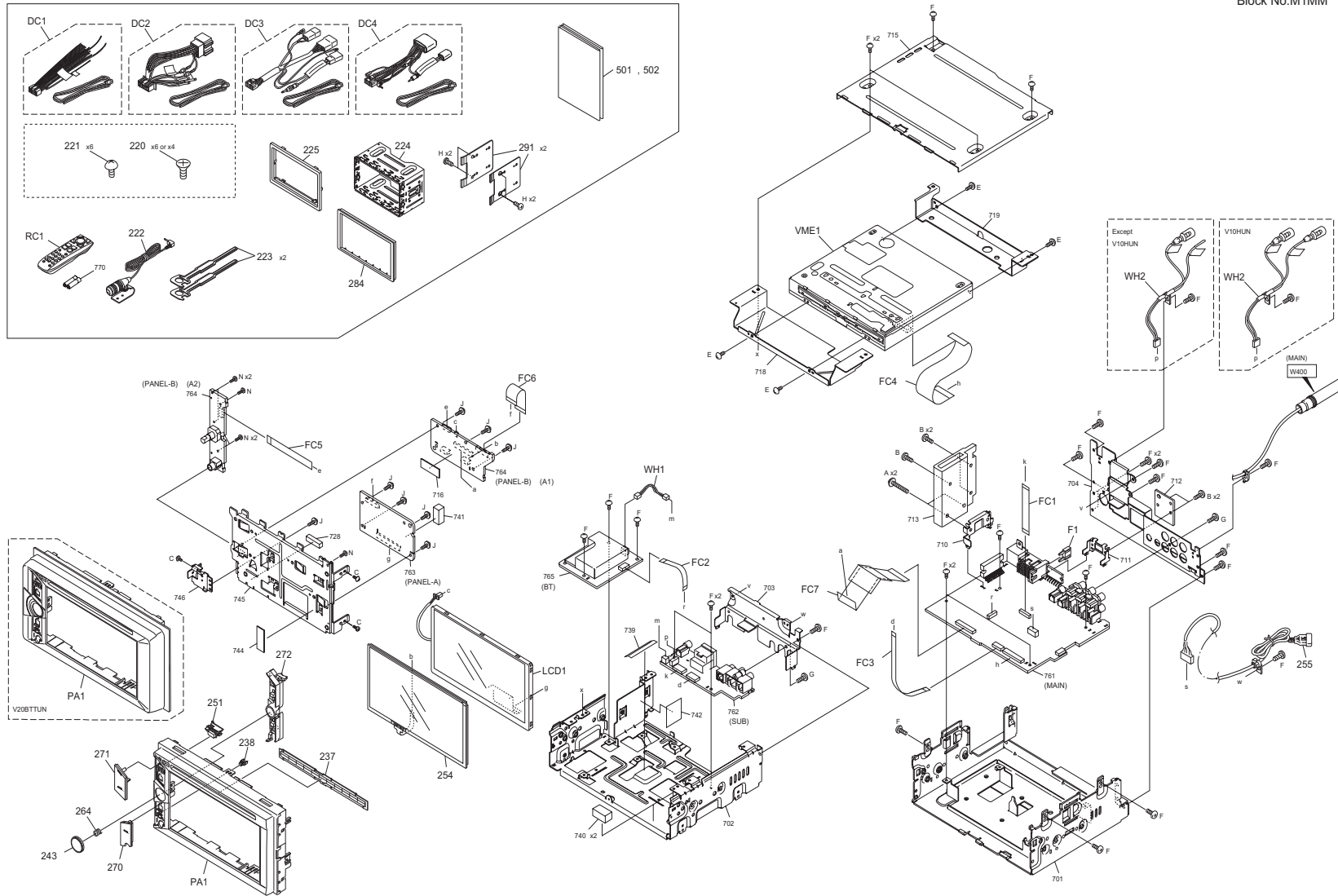


# EXPLODED VIEW (UNIT)

Block No.M1MM



MODEL	MARK	MODEL	MARK	MODEL	MARK	MODEL	MARK
KW-V100J	A	KW-V10A	B	KW-V10E	C	KW-V10EE	D
KW-V10EU	E	KW-V10HUN	F	KW-V10J	G	KW-V10JW	H
KW-V10U	I	KW-V10UI	J	KW-V200BTJ	K	KW-V20BTA	L
KW-V20BTE	M	KW-V20BTEE	N	KW-V20BTEU	O	KW-V20BTJ	P
KW-V20BTJW	Q	KW-V20BTTUN	R	KW-V20BTU	S	KW-V20BTUI	T

Safe	Symbol No.	Parts No.	Parts Name	Description	QTY	Local
------	------------	-----------	------------	-------------	-----	-------

EXPLODED VIEW (UNIT) <M1MM>

△	DC1	QAM1561-001	DC CORD		1	A,B,G,H,I,J,K,L,P,Q, S,T
△	DC2	QAM1562-001	DC CORD		1	C,D,E,M,N,O
△	DC3	QAM1622-002	DC CORD		1	R
△	DC4	E3A-0020-00	DC CORD		1	F
△	F1	QMFZ064-100-J1	FUSE	10A	1	
	FC1	QUQY05-2005AC-E	FFC WIRE	20pin 5cm	1	
	FC2	QUQY05-1205AC-E	FFC WIRE	12pin 5cm	1	K,L,M,N,O,P,Q,R,S,T
	FC3	QUQY05-2014BC-E	FFC WIRE	20pin 14cm	1	
	FC4	QUQY05-5013BC-E	FFC WIRE	50pin 13cm	1	
	FC5	QUQY05-1506BC-E	FFC WIRE	15pin 6cm	1	
	FC6	QUQY05-3005BC-E	FFC WIRE	30pin 5cm	1	
	FC7	WJT0315-001A-E	E-CARD WIRE		1	
	LCD1	QLD0736-001	LCD MODULE		1	
	PA1	LV11897-007A	FRONT PANEL		1	A
	PA1	LV11897-002A	FRONT PANEL		1	B,C,D,E,F,H,I,J
	PA1	LV11897-001A	FRONT PANEL		1	G
	PA1	LV11897-008A	FRONT PANEL		1	K
	PA1	LV11897-004A	FRONT PANEL		1	L,M,N,O,Q,S,T
	PA1	LV11897-003A	FRONT PANEL		1	P
	PA1	LV11960-002A	FRONT PANEL		1	R
	RC1	RM-RK256	REMOTE CONTROL UNI T		1	A,E,F,H,I,J,K,O,Q,R, S,T
	WH1	WJJ1272-001A-E	E-SI C WIRE C-C		1	K,L,M,N,O,P,Q,R,S,T
	WH2	QAM1564-001	CAR CABLE		1	A,B,C,D,E,G,H,I,J,K, L,M,N,O,P,Q,R,S,T
	WH2	E3A-0018-00	CORD W.CON.		1	F
	A	QYSDST2616ZA	TAP SCREW	M2.6 x 16mm	2	
	B	QYSDST2610ZA	TAP SCREW	M2.6 x 10mm	5	
	C	QYSDST2004ZA	TAP SCREW	M2 x 4mm	3	
	E	LV45552-003A	SPECIAL SCREW		4	
	F	LV44800-005A	SPECIAL SCREW		25	A,G
	F	LV44800-005A	SPECIAL SCREW		24	B,C,D,E,H,I,J
	F	LV44800-005A	SPECIAL SCREW		28	F,K,P
	F	LV44800-005A	SPECIAL SCREW		27	K,L,M,N,O,P,Q,R,S,T
	G	QYSDSF3010ZA	TAP SCREW	M3 x 10mm	2	
	H	N32-5007-48	MACHINE SCREW		4	F
	J	LV44615-003A	SPECIAL SCREW		8	
	N	VKZ4777-012	SCREW		6	
	220	N32-5007-48	MACHINE SCREW		6	A,B,E,G,H,I,J,K,L,O, P,Q,S,T
	221	N34-5006-48	TR.HEAD M.SCREW		6	A,B,E,F,G,H,I,J,K,L, O,P,Q,R,S,T
	222	QAN0126-001	MICROPHONE		1	K,L,M,N,O,P,Q,R,S,T
	223	LV45516-001A	LEVER		2	C,D,E,H,M,N,O,Q
	224	LV22876-001A	SLEEVE ASSY		1	C,D,E,H,M,N,O,Q
	225	B07-3263-02	ESCUTCHEON(2DIN		1	C,D,E,H,J,M,N,O,Q,T
	237	LV3A090-001A	BLIND		1	
	238	LV3A319-001A	REMOTE LENS		1	
	243	LV3A557-001A	VOL KNOB ASSY		1	
	251	LV3A318-001A	EJECT BUTTON		1	
	254	QAL1306-001	TOUCH PANEL		1	
	255	QAM1417-002	CAR CABLE		1	A,B,C,D,F,G,H,I,J,K, L,P,Q
	255	QAM1520-001	USB CABLE		1	E,M,N,O,R,S,T
	264	GE40127-004A	KNOB SPRING		1	
	270	LV3A321-001A	BUTTON ASSY B		1	
	271	LV3A320-001A	BUTTON ASSY A		1	A,B,C,D,E,F,G,H,I,J
	271	LV3A320-002A	BUTTON ASSY A		1	K,L,M,N,O,P,Q,R,S,T
	272	LV23083-002A	LENS		1	
	284	B07-3370-02	ESCUTCHEON		1	F
	291	J22-2112-03	MOUNTING		2	F
	501	LVT2516-001A	INST BOOK	ENG SPA FRE	1	A,G,H,K,P,Q
	501	LVT2522-001A	INST BOOK	ENG	1	B,L
	501	LVT2517-001A	INST BOOK	SPA ITA POR SWE	1	C,M
	501	LVT2518-001A	INST BOOK	RUS UKR	1	D,N
	501	LVT2519-001A	INST BOOK	TUR	1	E,O
	501	B5A-0069-00	INST BOOK	INA	1	F
	501	LVT2520-001A	INST BOOK	ENG CHI(TAIWAN) THA	1	I,S
	501	LVT2521-001A	INST BOOK	ENG	1	J,T
	502	LVT2517-002A	INST BOOK	SPA ITA POR SWE	1	C,M
	502	LVT2519-002A	INST BOOK	TUR	1	E,O
	502	LVT2516-002A	INST BOOK	ENG SPA FRE	1	H,Q

# EXPLODED VIEW (DVD MECHANISM: FD2-5A00NXN)

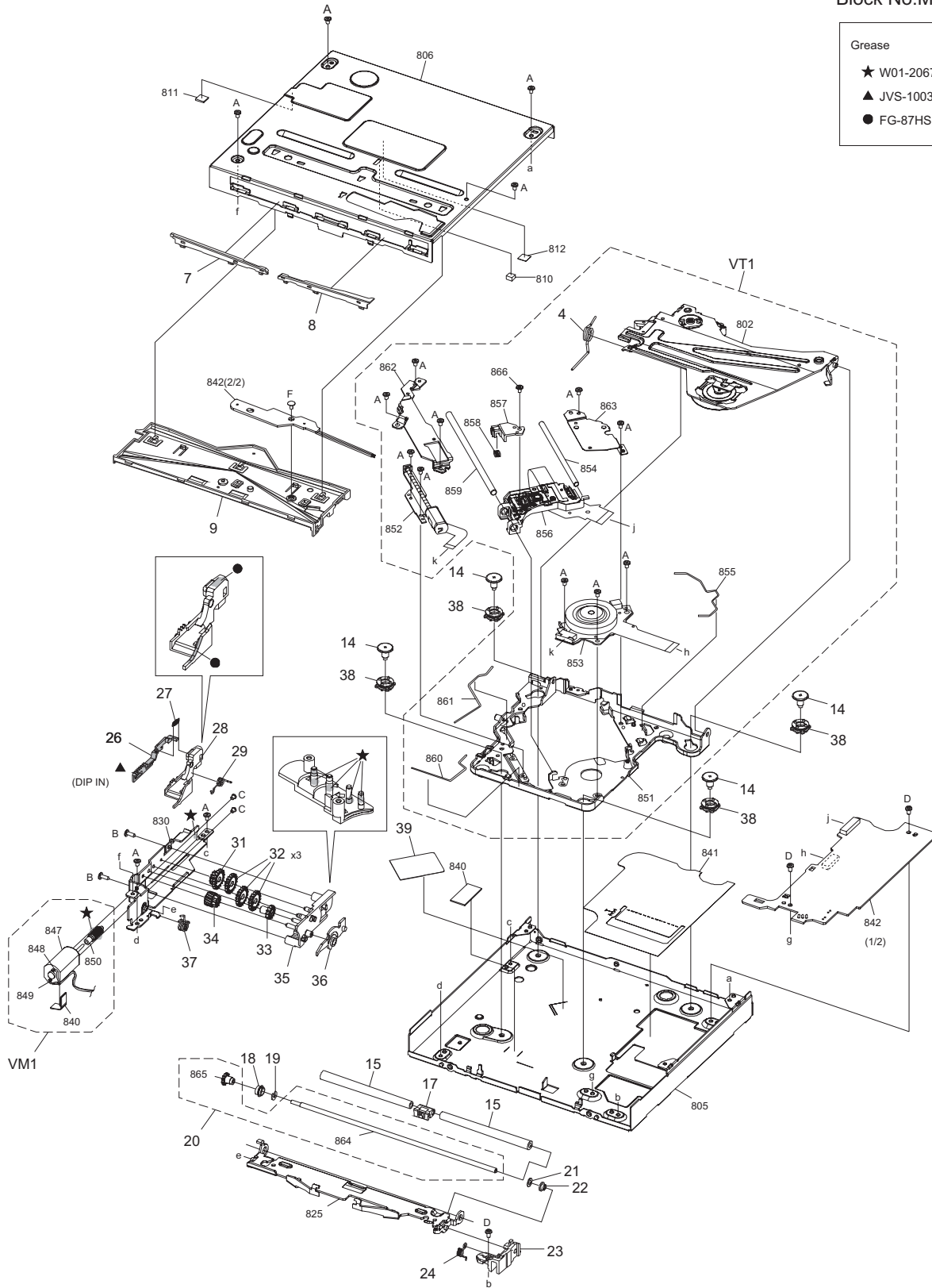
Block No.MJMM

Grease

★ W01-2067-08

▲ JVS-1003

● FG-87HS



Parts with the exploded numbers larger than 800 are not supplied.

MODEL	MARK	MODEL	MARK	MODEL	MARK	MODEL	MARK
KW-V100J	A	KW-V10A	B	KW-V10E	C	KW-V10EE	D
KW-V10EU	E	KW-V10HUN	F	KW-V10J	G	KW-V10JW	H
KW-V10U	I	KW-V10UI	J	KW-V200BTJ	K	KW-V20BTA	L
KW-V20BTE	M	KW-V20BTEE	N	KW-V20BTEU	O	KW-V20BTJ	P
KW-V20BTJW	Q	KW-V20BTTUN	R	KW-V20BTU	S	KW-V20BTUI	T

Safe	Symbol No.	Parts No.	Parts Name	Description	QTY	Local
------	------------	-----------	------------	-------------	-----	-------

EXPLODED VIEW (DVD MECHANISM: FD2-5A00NXN) <MJMM>

VM1	CM-FD2-ALM	LOADING M ASSY			1	
VT1	CM-FD2-ATM	TM ASSY			1	
A	LV44959-002A	SPECIAL SCREW			16	
B	LV45727-001A	GEAR SCREW			2	
C	QYSPSPU1425MA	SCREW	M1.4 x 2.5mm		2	
D	VKZ4539-054	MINI SCREW			3	
F	LV44586-001A	SPECIAL SCREW			1	
4	LV45709-001A	CLAMP SPRING			1	
7	LV23006-002A	GUIDE 2 L			1	
8	LV23007-002A	GUIDE 2 R			1	
9	LV11842-003A	DISC GUIDE			1	
14	LV45704-001A	DAMPER SHAFT			4	
15	LV45724-001A	RUBBER ROLLER			2	
17	LV37652-002A	SHAFT GUIDE			1	
18	LV39938-001A	GEAR RETAINER			1	
19	LV45730-001A	ROLLER C WASHER			1	
20	CM-FD2-AROS	RO SHAFT ASSY			1	
21	LV45731-001A	ROLLER WASHER			1	
22	LV45718-001A	ROLLER RETAINER			1	
23	LV23003-001A	ROLLER HOLDER			1	
24	LV45713-001A	ROLLER SPRING R			1	
26	LV39932-002A	TRIGGER SLIDER			1	
27	LV45715-001A	TRIGGER SPRING			1	
28	LV23004-003A	SLIDER			1	
29	LV39935-002A	SLIDER SPRING			1	
31	LV39929-001A	DRIVE GEAR 4			1	
32	LV39928-001A	DRIVE GEAR 3			3	
33	LV39927-001A	DRIVE GEAR 2			1	
34	LV39926-001A	DRIVE GEAR 1			1	
35	LV23005-001A	GEAR HOLDER			1	
36	LV39923-002A	UD LEVER			1	
37	LV45712-003A	ROLLER SPRING L			1	
38	LV39934-001A	DAMPER			4	
39	LV45719-001A	PU FPC SHEET			1	

MODEL	MARK	MODEL	MARK	MODEL	MARK	MODEL	MARK
KW-V100J	A	KW-V10A	B	KW-V10E	C	KW-V10EE	D
KW-V10EU	E	KW-V10HUN	F	KW-V10J	G	KW-V10JW	H
KW-V10U	I	KW-V10UI	J	KW-V200BTJ	K	KW-V20BTA	L
KW-V20BTE	M	KW-V20BTEE	N	KW-V20BTEU	O	KW-V20BTJ	P
KW-V20BTJW	Q	KW-V20BTTUN	R	KW-V20BTU	S	KW-V20BTUI	T

Safe	Symbol No.	Parts No.	Parts Name	Description	QTY	Local
------	------------	-----------	------------	-------------	-----	-------

MAIN PWB ASSY (LVA11285-xxA) <01>

IC1	LV5680NPVC	IC			1	
IC111	BD9876AEFJ-X	IC			1	
IC131	BD9876AEFJ-X	IC			1	
IC151	LM3481MMX-X	IC			1	
IC171	BD9876AEFJ-X	IC			1	
IC201	JCV8031	IC			1	
IC301	TDA7715	IC			1	
IC401	TEF6642HW	IC			1	
IC402	BU12TD3WG-W	IC			1	
IC501	JVM677B	IC(MCU)			1	
IC502	BU4824F-W	IC			1	
IC503	R1EX24016ATAA-X	IC			1	
IC591	XC6223B331PG-X	IC			1	
IC711	TC7SET08FU-J-X	IC(DIGITAL)			1	A,G,K,P
IC721	TC7SH17FU-X	IC(DIGITAL)			1	A,E,F,G,I,J,K,O,P,R,S,T
IC731	NJM2584AM-X	IC			1	E,F,I,J,O,R,S,T
IC851	MM3423DH-X	IC			1	A,B,C,D,E,G,H,I,J,K,L,M,N,O,P,Q,S,T
IC851	MM3423DHE	ANALOG IC			1	F,R
Q31	LSCR523EB-X	TRANSISTOR			1	A,B,C,D,E,G,H,I,J,K,L,M,N,O,P,Q,S,T
Q31	LSCR523EBFS8	TRANSISTOR			1	F,R
Q32	LSCR523EB-X	TRANSISTOR			1	A,B,C,D,E,G,H,I,J,K,L,M,N,O,P,Q,S,T
Q32	LSCR523EBFS8	TRANSISTOR			1	F,R
Q41	LSCR523EBFS8	TRANSISTOR			1	A,B,C,D,E,G,H,I,J,K,L,M,N,O,P,Q,S,T
Q41	LSCR523EB-X	TRANSISTOR			1	F,R
Q51	LSCR523EBFS8	TRANSISTOR			1	A,B,C,D,E,G,H,I,J,K,L,M,N,O,P,Q,S,T
Q101	MTM98140-X	TRANSISTOR			1	F,R
Q102	LTA014EEB-X	DIGI TRANSISTOR			1	A,B,C,D,E,G,H,I,J,K,L,M,N,O,P,Q,S,T
Q102	LTA014EEBFS8	DIGI TRANSISTOR			1	F,R
Q103	LTA014EEB-X	DIGI TRANSISTOR			1	A,B,C,D,E,G,H,I,J,K,L,M,N,O,P,Q,S,T
Q103	LTA014EEBFS8	DIGI TRANSISTOR			1	F,R
Q104	LTC014EEB-X	DIGI TRANSISTOR			1	A,B,C,D,E,G,H,I,J,K,L,M,N,O,P,Q,S,T
Q104	LTC014EEBFS8	DIGI TRANSISTOR			1	F,R
Q105	LTC044EEB-X	DIGI TRANSISTOR			1	A,B,C,D,E,G,H,I,J,K,L,M,N,O,P,Q,S,T
Q105	LTC044EEBFS8	DIGI TRANSISTOR			1	F,R
Q111	LTC014EEB-X	DIGI TRANSISTOR			1	A,B,C,D,E,G,H,I,J,K,L,M,N,O,P,Q,S,T
Q111	LTC014EEBFS8	DIGI TRANSISTOR			1	F,R
Q131	LTC014EEB-X	DIGI TRANSISTOR			1	A,B,C,D,E,G,H,I,J,K,L,M,N,O,P,Q,S,T
Q131	LTC014EEBFS8	DIGI TRANSISTOR			1	F,R
Q151	RTQ035N03-W	MOS FET			1	
Q171	LTC014EEB-X	DIGI TRANSISTOR			1	A,B,C,D,E,G,H,I,J,K,L,M,N,O,P,Q,S,T
Q171	LTC014EEBFS8	DIGI TRANSISTOR			1	F,R
Q251	LTC014YEB-X	DIGI TRANSISTOR			1	A,B,C,D,E,G,H,I,J,K,L,M,N,O,P,Q,S,T
Q251	LTC014YEBFS8	DIGI TRANSISTOR			1	F,R
Q252	LTA043ZEB-X	DIGI TRANSISTOR			1	A,B,C,D,E,G,H,I,J,K,L,M,N,O,P,Q,S,T
Q252	LTA043ZEBFS8	DIGI TRANSISTOR			1	F,R
Q255	LTC014YEB-X	DIGI TRANSISTOR			1	A,B,C,D,E,G,H,I,J,K,L,M,N,O,P,Q,S,T
Q255	LTC014YEBFS8	DIGI TRANSISTOR			1	F,R
Q256	LTA043ZEB-X	DIGI TRANSISTOR			1	A,B,C,D,E,G,H,I,J,K,L,M,N,O,P,Q,S,T
Q256	LTA043ZEBFS8	DIGI TRANSISTOR			1	F,R
Q261	LTC043TEB-X	DIGI TRANSISTOR			1	
Q262	LTC043TEB-X	DIGI TRANSISTOR			1	
Q263	LTC043TEB-X	DIGI TRANSISTOR			1	
Q264	LTC043TEB-X	DIGI TRANSISTOR			1	
Q265	LTC043TEB-X	DIGI TRANSISTOR			1	
Q292	LTA043ZEB-X	DIGI TRANSISTOR			1	A,G,K,P,Q
Q293	LTC043TEB-X	DIGI TRANSISTOR			1	A,G,K,P,Q
Q294	LTC043TEB-X	DIGI TRANSISTOR			1	A,G,K,P,Q
Q511	LTA014EEB-X	DIGI TRANSISTOR			1	A,B,C,D,E,G,H,I,J,K,L,M,N,O,P,Q,S,T
Q511	LTA014EEBFS8	DIGI TRANSISTOR			1	F,R
Q512	DSC5001/R/-X	TRANSISTOR			1	A,B,C,D,E,G,H,I,J,K,L,M,N,O,P,Q,S,T
Q512	DSC5001/R/	TRANSISTOR			1	F,R
Q521	2SA812/5-6/-X	TRANSISTOR			1	
Q591	LTA014EEB-X	DIGI TRANSISTOR			1	A,B,C,D,E,G,H,I,J,K,L,M,N,O,P,Q,S,T
Q591	LTA023JEB-X	DIGI TRANSISTOR			1	F,R
Q592	LTC044EEB-X	DIGI TRANSISTOR			1	A,B,C,D,E,G,H,I,J,K,L,M,N,O,P,Q,S,T
Q592	LTC044EEBFS8	DIGI TRANSISTOR			1	F,R

MODEL	MARK	MODEL	MARK	MODEL	MARK	MODEL	MARK
KW-V100J	A	KW-V10A	B	KW-V10E	C	KW-V10EE	D
KW-V10EU	E	KW-V10HUN	F	KW-V10J	G	KW-V10JW	H
KW-V10U	I	KW-V10UI	J	KW-V200BTJ	K	KW-V20BTA	L
KW-V20BTE	M	KW-V20BTEE	N	KW-V20BTEU	O	KW-V20BTJ	P
KW-V20BTJW	Q	KW-V20BTTUN	R	KW-V20BTU	S	KW-V20BTUI	T

Safe	Symbol No.	Parts No.	Parts Name	Description	QTY	Local
	Q611	LTC043ZEB-X	DIGI TRANSISTOR		1	A,B,C,D,E,G,H,I,J,K, L,M,N,O,P,Q,S,T
	Q611	LTC043ZEBFS8	DIGI TRANSISTOR		1	F,R
	Q612	LTC043ZEB-X	DIGI TRANSISTOR		1	A,B,C,D,E,G,H,I,J,K, L,M,N,O,P,Q,S,T
	Q612	LTC043ZEBFS8	DIGI TRANSISTOR		1	F,R
	Q613	LTA043ZEB-X	DIGI TRANSISTOR		1	A,B,C,D,E,G,H,I,J,K, L,M,N,O,P,Q,S,T
	Q613	LTA043ZEBFS8	DIGI TRANSISTOR		1	F,R
	Q614	LTA043ZEB-X	DIGI TRANSISTOR		1	A,B,C,D,E,G,H,I,J,K, L,M,N,O,P,Q,S,T
	Q614	LTA043ZEBFS8	DIGI TRANSISTOR		1	F,R
	Q761	RE1C002ZP-X	MOS FET		1	B,E,F,I,J,L,O,R,S,T
	Q762	LTC014YEB-X	DIGI TRANSISTOR		1	B,E,I,J,L,O,S,T
	Q762	LTC014YEBFS8	DIGI TRANSISTOR		1	F,R
	Q771	RE1C002ZP-X	MOS FET		1	B,E,F,I,J,L,O,R,S,T
	D1	1N5402-BPC04	SI DIODE		1	
	D2	GS1J-LTP-X	SI DIODE		1	
	D31	DZ2J056/M/-X	Z DIODE		1	A,B,C,D,E,G,H,I,J,K, L,M,N,O,P,Q,S,T
	D31	DZ2J056M	Z DIODE		1	F,R
	D32	DZ2J068/M/-X	Z DIODE		1	A,B,C,D,E,G,H,I,J,K, L,M,N,O,P,Q,S,T
	D32	DZ2J068M	Z DIODE		1	F,R
	D41	DZ2J062/M/-X	Z DIODE		1	A,B,C,D,E,G,H,I,J,K, L,M,N,O,P,Q,S,T
	D41	DZ2J062M	Z DIODE		1	F,R
	D71	DZ2J062/M/-X	Z DIODE		1	A,B,C,D,E,G,H,I,J,K, L,M,N,O,P,Q,S,T
	D71	DZ2J062M	Z DIODE		1	F,R
	D81	MBRX130-TP-X	SB DIODE		1	A,B,C,D,E,G,H,I,J,K, L,M,N,O,P,Q,S,T
	D81	MBRX130	SCHOTTKY DIODE		1	F,R
	D82	MBRX130-TP-X	SB DIODE		1	A,B,E,G,H,I,J,K,L,O, P,Q,S,T
	D82	MBRX130	SCHOTTKY DIODE		1	F,R
	D83	MBRX130-TP-X	SB DIODE		1	A,B,C,D,E,G,H,I,J,K, L,M,N,O,P,Q,S,T
	D83	MBRX130	SCHOTTKY DIODE		1	F,R
	D84	MBRX130-TP-X	SB DIODE		1	A,B,E,G,H,I,J,K,L,O, P,Q,S,T
	D84	MBRX130	SCHOTTKY DIODE		1	F,R
	D101	DZ2J180/M/-X	Z DIODE		1	A,B,C,D,E,G,H,I,J,K, L,M,N,O,P,Q,S,T
	D101	DZ2J180M	Z DIODE		1	F,R
	D121	RB051L-40-X	SB DIODE		1	A,B,C,D,E,G,H,I,J,K, L,M,N,O,P,Q,S,T
	D121	RB051L-40	SCHOTTKY DIODE		1	F,R
	D122	DZ2J062/M/-X	Z DIODE		1	A,B,C,D,E,G,H,I,J,K, L,M,N,O,P,Q,S,T
	D122	DZ2J062M	Z DIODE		1	F,R
	D141	RB051L-40-X	SB DIODE		1	A,B,C,D,E,G,H,I,J,K, L,M,N,O,P,Q,S,T
	D141	RB051L-40	SCHOTTKY DIODE		1	F,R
	D142	DZ2J062/M/-X	Z DIODE		1	A,B,C,D,E,G,H,I,J,K, L,M,N,O,P,Q,S,T
	D142	DZ2J062M	Z DIODE		1	F,R
	D161	RB160L-40-X	SB DIODE		1	A,B,C,D,E,G,H,I,J,K, L,M,N,O,P,Q,S,T
	D161	RB160L-40	SCHOTTKY DIODE		1	F,R
	D162	RB521S-30-X	SB DIODE		1	A,B,C,D,E,G,H,I,J,K, L,M,N,O,P,Q,S,T
	D162	RB521S-30	SCHOTTKY DIODE		1	F,R
	D163	RB521S-30-X	SB DIODE		1	A,B,C,D,E,G,H,I,J,K, L,M,N,O,P,Q,S,T
	D163	RB521S-30	SCHOTTKY DIODE		1	F,R
	D164	RB521S-30-X	SB DIODE		1	A,B,C,D,E,G,H,I,J,K, L,M,N,O,P,Q,S,T
	D164	RB521S-30	SCHOTTKY DIODE		1	F,R
	D181	RB051L-40-X	SB DIODE		1	A,B,C,D,E,G,H,I,J,K, L,M,N,O,P,Q,S,T
	D181	RB051L-40	SCHOTTKY DIODE		1	F,R
	D182	DZ2J062/M/-X	Z DIODE		1	A,B,C,D,E,G,H,I,J,K, L,M,N,O,P,Q,S,T
	D182	DZ2J062M	Z DIODE		1	F,R
	D241	DAP202U-X	SI DIODE		1	
	D251	DAP202U-X	SI DIODE		1	
	D255	DAP202U-X	SI DIODE		1	
	D291	DAP202U-X	SI DIODE		1	A,G,K,P,Q
	D301	DAP202U-X	SI DIODE		1	
	D302	DAP202U-X	SI DIODE		1	
	D303	DAP202U-X	SI DIODE		1	
	D312	DA2J101-X	SI DIODE		1	A,B,C,D,E,G,H,I,J,K, L,M,N,O,P,Q,S,T
	D312	DA2J101	DIODE		1	F,R
	D325	DZ2J068/M/-X	Z DIODE		1	A,B,C,D,E,G,H,I,J,K, L,M,N,O,P,Q,S,T
	D325	DZ2J068M	Z DIODE		1	F,R
	D326	DZ2J068/M/-X	Z DIODE		1	A,B,C,D,E,G,H,I,J,K, L,M,N,O,P,Q,S,T

MODEL	MARK	MODEL	MARK	MODEL	MARK	MODEL	MARK
KW-V100J	A	KW-V10A	B	KW-V10E	C	KW-V10EE	D
KW-V10EU	E	KW-V10HUN	F	KW-V10J	G	KW-V10JW	H
KW-V10U	I	KW-V10UI	J	KW-V200BTJ	K	KW-V20BTA	L
KW-V20BTE	M	KW-V20BTEE	N	KW-V20BTEU	O	KW-V20BTJ	P
KW-V20BTJW	Q	KW-V20BTTUN	R	KW-V20BTU	S	KW-V20BTUI	T

Safe	Symbol No.	Parts No.	Parts Name	Description	QTY	Local
	D326	DZ2J068M	Z DIODE		1	F,R
	D327	DZ2J068M/-X	Z DIODE		1	A,B,C,D,E,G,H,I,J,K, L,M,N,O,P,Q,S,T
	D327	DZ2J068M	Z DIODE		1	F,R
	D402	RN731V-X	SI DIODE		1	A,B,C,D,E,G,H,I,J,K, L,M,N,O,P,Q,S,T
	D402	RN731V	DIODE		1	F,R
	D403	RN731V-X	SI DIODE		1	A,B,C,D,E,G,H,I,J,K, L,M,N,O,P,Q,S,T
	D403	RN731V	DIODE		1	F,R
	D511	DA2J101-X	SI DIODE		1	A,B,C,D,E,G,H,I,J,K, L,M,N,O,P,Q,S,T
	D511	DA2J101	DIODE		1	F,R
	D512	DAP202U-X	SI DIODE		1	
	D761	DA2J101-X	SI DIODE		1	B,E,I,J,L,O,S,T
	D761	DA2J101	DIODE		1	F,R
	D771	DA2J101-X	SI DIODE		1	B,E,I,J,L,O,S,T
	D771	DA2J101	DIODE		1	F,R
	C1	QEZ0934-338	E CAPACITOR	3300uF	1	
	C11	QEZ0854-107Z	E CAPACITOR	100uF	1	A,B,C,D,E,G,H,I,J,K, L,M,N,O,P,Q,S,T
	C11	CD04CZ1E101M	E CAPACITOR	100uF 25V M	1	F,R
	C12	CK73HBB1E103K	C CAPACITOR	0.01uF 25V K	1	
	C13	QEKJ1CM-476Z	E CAPACITOR	47uF 16V M	1	
	C14	QEKJ1CM-476Z	E CAPACITOR	47uF 16V M	1	
	C16	QETN1CM-227Z	E CAPACITOR	220uF 16V M	1	
	C18	CK730BY1E106K	C CAPACITOR	10uF 25V K	1	A,B,E,F,G,H,I,J,K,L, O,P,Q,R,S,T
	C19	CK730BY1E106K	C CAPACITOR	10uF 25V K	1	
	C21	NCB31HK-104X	C CAPACITOR	0.1uF 50V K	1	
	C23	NCB31CK-105X	C CAPACITOR	1uF 16V K	1	
	C24	NCB31HK-104X	C CAPACITOR	0.1uF 50V K	1	
	C25	CK73GBB1C224K	C CAPACITOR	0.22uF 16V K	1	
	C26	CK73HBB1A104K	C CAPACITOR	0.1uF 10V K	1	
	C41	CK73FBB1E474K	C CAPACITOR	0.47uF 25V K	1	
	C51	CK73HBB1E103K	C CAPACITOR	0.01uF 25V K	1	
	C52	CK730BS0J105K	C CAPACITOR	1uF 6.3V K	1	
	C101	NCB21HK-334X	C CAPACITOR	0.33uF 50V K	1	
	C102	CK73HBB1E103K	C CAPACITOR	0.01uF 25V K	1	
	C112	CK730BY1E106K	C CAPACITOR	10uF 25V K	1	
	C118	NCB31HK-104X	C CAPACITOR	0.1uF 50V K	1	
	C121	QEZ0852-337Z	E CAPACITOR	330uF	1	
	C124	CK730BW1C106K	C CAPACITOR	10uF 16V K	1	
	C125	CK73HBB1H102K	C CAPACITOR	1000pF 50V K	1	
	C126	CK73HBB1H682K	C CAPACITOR	6800pF 50V K	1	
	C132	CK730BY1E106K	C CAPACITOR	10uF 25V K	1	
	C138	NCB31HK-104X	C CAPACITOR	0.1uF 50V K	1	
	C141	QEZ0852-337Z	E CAPACITOR	330uF	1	
	C144	CK730BW1C106K	C CAPACITOR	10uF 16V K	1	
	C145	CK73HBB1H102K	C CAPACITOR	1000pF 50V K	1	
	C146	CK73HBB1H682K	C CAPACITOR	6800pF 50V K	1	
	C151	CK730BY1E106K	C CAPACITOR	10uF 25V K	1	
	C152	CK730BY1E106K	C CAPACITOR	10uF 25V K	1	
	C153	CK73HBB1H102K	C CAPACITOR	1000pF 50V K	1	
	C154	CK73GBB1H103K	C CAPACITOR	0.01uF 50V K	1	
	C155	CK73HBB1H681K	C CAPACITOR	680pF 50V K	1	
	C161	QEZ0854-107Z	E CAPACITOR	100uF	1	A,B,C,D,E,G,H,I,J,K, L,M,N,O,P,Q,S,T
	C161	CD04CZ1E101M	E CAPACITOR	100uF 25V M	1	F,R
	C162	CD04AZ1H220M	E CAPACITOR	22uF 50V M	1	
	C163	CK730BY1E106K	C CAPACITOR	10uF 25V K	1	
	C164	CK73HBB1H821K	C CAPACITOR	820pF 50V K	1	
	C165	NCB31HK-104X	C CAPACITOR	0.1uF 50V K	1	
	C166	CK73FBB1H224K	C CAPACITOR	0.22uF 50V K	1	
	C172	CK730BY1E106K	C CAPACITOR	10uF 25V K	1	
	C178	NCB31HK-104X	C CAPACITOR	0.1uF 50V K	1	
	C181	QEZ0852-337Z	E CAPACITOR	330uF	1	
	C184	CK730BW1C106K	C CAPACITOR	10uF 16V K	1	
	C185	CK73HBB1H102K	C CAPACITOR	1000pF 50V K	1	
	C186	CK73HBB1H682K	C CAPACITOR	6800pF 50V K	1	
	C200	CD04BR1C330M	E CAPACITOR	33uF 16V M	1	
	C201	CK73GBB1C224K	C CAPACITOR	0.22uF 16V K	1	
	C202	CK73GBB1C224K	C CAPACITOR	0.22uF 16V K	1	
	C203	CK73GBB1C224K	C CAPACITOR	0.22uF 16V K	1	
	C204	CK73GBB1C224K	C CAPACITOR	0.22uF 16V K	1	
	C206	NCB31CK-105X	C CAPACITOR	1uF 16V K	1	
	C221	CK73HBB1H221K	C CAPACITOR	220pF 50V K	1	
	C222	CK73HBB1H221K	C CAPACITOR	220pF 50V K	1	
	C223	CK73HBB1H221K	C CAPACITOR	220pF 50V K	1	
	C224	CK73HBB1H221K	C CAPACITOR	220pF 50V K	1	
	C225	CK73HBB1H221K	C CAPACITOR	220pF 50V K	1	
	C226	CK73HBB1H221K	C CAPACITOR	220pF 50V K	1	
	C227	CK73HBB1H221K	C CAPACITOR	220pF 50V K	1	
	C228	CK73HBB1H221K	C CAPACITOR	220pF 50V K	1	
	C241	NCB31CK-105X	C CAPACITOR	1uF 16V K	1	
	C245	NCB31CK-105X	C CAPACITOR	1uF 16V K	1	
	C251	CK730DK1E106K	C CAPACITOR(2)		1	
	C252	CK730DK1E106K	C CAPACITOR(2)		1	
	C253	CK730DK1E106K	C CAPACITOR(2)		1	

MODEL	MARK	MODEL	MARK	MODEL	MARK	MODEL	MARK
KW-V100J	A	KW-V10A	B	KW-V10E	C	KW-V10EE	D
KW-V10EU	E	KW-V10HUN	F	KW-V10J	G	KW-V10JW	H
KW-V10U	I	KW-V10UI	J	KW-V200BTJ	K	KW-V20BTA	L
KW-V20BTE	M	KW-V20BTEE	N	KW-V20BTEU	O	KW-V20BTJ	P
KW-V20BTJW	Q	KW-V20BTTUN	R	KW-V20BTU	S	KW-V20BTUI	T

Safe	Symbol No.	Parts No.	Parts Name	Description	QTY	Local
	C254	CK730DK1E106K	C CAPACITOR(2)		1	
	C255	CK730DK1E106K	C CAPACITOR(2)		1	
	C271	CK73HBB1H102K	C CAPACITOR	1000pF 50V K	1	
	C272	CK73HBB1H102K	C CAPACITOR	1000pF 50V K	1	
	C273	CK73HBB1H102K	C CAPACITOR	1000pF 50V K	1	
	C274	CK73HBB1H102K	C CAPACITOR	1000pF 50V K	1	
	C275	CK73HBB1H102K	C CAPACITOR	1000pF 50V K	1	
	C291	CK730DK1E106K	C CAPACITOR(2)		1	A,G,K,P,Q
	C292	CK730DK1E106K	C CAPACITOR(2)		1	A,G,K,P,Q
	C295	CK73GBB1H102K	C CAPACITOR	1000pF 50V K	1	A,G,K,P,Q
	C296	CK73GBB1H102K	C CAPACITOR	1000pF 50V K	1	A,G,K,P,Q
	C301	QEKJ1CM-476Z	E CAPACITOR	47uF 16V M	1	
	C302	CK73HBB1E103K	C CAPACITOR	0.01uF 25V K	1	
	C303	CK73HBB1E103K	C CAPACITOR	0.01uF 25V K	1	
	C304	QEKJ1CM-476Z	E CAPACITOR	47uF 16V M	1	
	C305	NCB31CK-105X	C CAPACITOR	1uF 16V K	1	
	C306	NCB31CK-105X	C CAPACITOR	1uF 16V K	1	
	C307	CK730AU0J474K	C CAPACITOR	0.47uF 6.3V K	1	
	C308	NCB31CK-105X	C CAPACITOR	1uF 16V K	1	
	C309	CK730AU0J474K	C CAPACITOR	0.47uF 6.3V K	1	
	C313	CK730BU0J475K	C CAPACITOR	4.7uF 6.3V K	1	
	C314	CK730BU0J475K	C CAPACITOR	4.7uF 6.3V K	1	
	C325	NCB31CK-105X	C CAPACITOR	1uF 16V K	1	
	C326	NCB31CK-105X	C CAPACITOR	1uF 16V K	1	
	C327	NCB31CK-105X	C CAPACITOR	1uF 16V K	1	
	C401	CC73GCH1H220J	C CAPACITOR	22pF 50V J	1	
	C402	CC73GCH1H060D	C CAPACITOR	6pF 50V D	1	
	C406	CK73GBB1H102K	C CAPACITOR	1000pF 50V K	1	
	C407	CK73GBB1H102K	C CAPACITOR	1000pF 50V K	1	
	C411	CC73GCH1H470J	C CAPACITOR	47pF 50V J	1	
	C412	CC73GCH1H030C	C CAPACITOR	3pF 50V C	1	
	C415	CK73GBB1H222K	C CAPACITOR	2200pF 50V K	1	
	C416	CC73GCH1H150J	C CAPACITOR	15pF 50V J	1	
	C417	CC73GCH1H060D	C CAPACITOR	6pF 50V D	1	
	C418	CC73GCH1H120J	C CAPACITOR	12pF 50V J	1	
	C419	CC73GCH1H080D	C CAPACITOR	8pF 50V D	1	
	C420	CC73GCH1H120J	C CAPACITOR	12pF 50V J	1	
	C421	CC73GCH1H080D	C CAPACITOR	8pF 50V D	1	
	C422	CC73GCH1H471J	C CAPACITOR	470pF 50V J	1	
	C423	NCB31HK-104X	C CAPACITOR	0.1uF 50V K	1	
	C424	CK73GBB1H102K	C CAPACITOR	1000pF 50V K	1	
	C425	CK73GBB1H102K	C CAPACITOR	1000pF 50V K	1	
	C426	NCB31CK-105X	C CAPACITOR	1uF 16V K	1	
	C427	CK730BW1C106K	C CAPACITOR	10uF 16V K	1	
	C428	CK73GBB1C224K	C CAPACITOR	0.22uF 16V K	1	
	C429	CK73HBB1H332K	C CAPACITOR	3300pF 50V K	1	
	C430	CK730BW1C106K	C CAPACITOR	10uF 16V K	1	
	C432	CK73GBB1H103K	C CAPACITOR	0.01uF 50V K	1	
	C433	CK73GBB1H682K	C CAPACITOR	6800pF 50V K	1	
	C434	CK73GBB1H103K	C CAPACITOR	0.01uF 50V K	1	
	C435	CK73GBB1H682K	C CAPACITOR	6800pF 50V K	1	
	C436	CK73HBB1A104K	C CAPACITOR	0.1uF 10V K	1	
	C437	CK730BW1C106K	C CAPACITOR	10uF 16V K	1	
	C439	CK730BU0J475K	C CAPACITOR	4.7uF 6.3V K	1	
	C440	NCB31CK-105X	C CAPACITOR	1uF 16V K	1	
	C441	NCB31CK-105X	C CAPACITOR	1uF 16V K	1	
	C444	CC73GCH1H221J	C CAPACITOR	220pF 50V J	1	
	C445	NCB31HK-104X	C CAPACITOR	0.1uF 50V K	1	
	C446	NCB31HK-104X	C CAPACITOR	0.1uF 50V K	1	
	C449	CK730BW1C106K	C CAPACITOR	10uF 16V K	1	
	C451	NCB31CK-105X	C CAPACITOR	1uF 16V K	1	
	C452	NCB31CK-105X	C CAPACITOR	1uF 16V K	1	
	C453	NCB31HK-104X	C CAPACITOR	0.1uF 50V K	1	
	C460	NCB31CK-105X	C CAPACITOR	1uF 16V K	1	
	C461	CK730BW1C106K	C CAPACITOR	10uF 16V K	1	
	C484	CK73HBB1A104K	C CAPACITOR	0.1uF 10V K	1	
	C485	CK73HBB1E103K	C CAPACITOR	0.01uF 25V K	1	
	C501	QETN1CM-227Z	E CAPACITOR	220uF 16V M	1	
	C503	NCB20JK-106X	C CAPACITOR	10uF 6.3V K	1	
	C504	CK73HBB1H222K	C CAPACITOR	2200pF 50V K	1	
	C505	NCB31CK-105X	C CAPACITOR	1uF 16V K	1	
	C506	NCB31CK-105X	C CAPACITOR	1uF 16V K	1	
	C507	CK73HBB1A104K	C CAPACITOR	0.1uF 10V K	1	
	C508	CK73HBB1A104K	C CAPACITOR	0.1uF 10V K	1	
	C509	NCB31HK-104X	C CAPACITOR	0.1uF 50V K	1	
	C510	CK73HBB1E103K	C CAPACITOR	0.01uF 25V K	1	
	C511	CK73HBB1E103K	C CAPACITOR	0.01uF 25V K	1	
	C513	CK73HBB1E103K	C CAPACITOR	0.01uF 25V K	1	
	C516	CK73HBB1E103K	C CAPACITOR	0.01uF 25V K	1	
	C522	CK73HBB1E103K	C CAPACITOR	0.01uF 25V K	1	
	C523	CK73HBB1E103K	C CAPACITOR	0.01uF 25V K	1	
	C524	CK73HBB1E103K	C CAPACITOR	0.01uF 25V K	1	
	C525	CK73HBB1E103K	C CAPACITOR	0.01uF 25V K	1	
	C527	CK73HBB1E103K	C CAPACITOR	0.01uF 25V K	1	
	C530	CK73HBB1E103K	C CAPACITOR	0.01uF 25V K	1	
	C531	CK73HBB1E103K	C CAPACITOR	0.01uF 25V K	1	
	C532	CK73HBB1E103K	C CAPACITOR	0.01uF 25V K	1	
	C533	CK73HBB1E103K	C CAPACITOR	0.01uF 25V K	1	

MODEL	MARK	MODEL	MARK	MODEL	MARK	MODEL	MARK
KW-V100J	A	KW-V10A	B	KW-V10E	C	KW-V10EE	D
KW-V10EU	E	KW-V10HUN	F	KW-V10J	G	KW-V10JW	H
KW-V10U	I	KW-V10UI	J	KW-V200BTJ	K	KW-V20BTA	L
KW-V20BTE	M	KW-V20BTEE	N	KW-V20BTEU	O	KW-V20BTJ	P
KW-V20BTJW	Q	KW-V20BTTUN	R	KW-V20BTU	S	KW-V20BTUI	T

Safe	Symbol No.	Parts No.	Parts Name	Description	QTY	Local
	C535	CK73HBB1E103K	C CAPACITOR	0.01uF 25V K	1	
	C536	CK73HBB1E103K	C CAPACITOR	0.01uF 25V K	1	
	C537	CK73HBB1E103K	C CAPACITOR	0.01uF 25V K	1	
	C541	NCB31CK-105X	C CAPACITOR	1uF 16V K	1	
	C542	CK73HBB1E103K	C CAPACITOR	0.01uF 25V K	1	
	C544	CK73HBB1H102K	C CAPACITOR	1000pF 50V K	1	
	C551	CC73HCH1H100D	C CAPACITOR	10pF 50V D	1	
	C552	CC73HCH1H100D	C CAPACITOR	10pF 50V D	1	
	C561	CC73GCH1H220J	C CAPACITOR	22pF 50V J	1	
	C562	CC73GCH1H220J	C CAPACITOR	22pF 50V J	1	
	C571	CK73HBB1E103K	C CAPACITOR	0.01uF 25V K	1	
	C591	QETN1CM-107Z	E CAPACITOR	100uF 16V M	1	
	C592	NCB20JK-106X	C CAPACITOR	10uF 6.3V K	1	
	C593	NCB31CK-105X	C CAPACITOR	1uF 16V K	1	
	C611	CK73HBB1C103K	C CAPACITOR	0.01uF 16V K	1	
	C612	CK73HBB1C103K	C CAPACITOR	0.01uF 16V K	1	
	C651	QETN1CM-107Z	E CAPACITOR	100uF 16V M	1	
	C652	CK73HBB1E103K	C CAPACITOR	0.01uF 25V K	1	
	C653	CK73HBB1A104K	C CAPACITOR	0.1uF 10V K	1	
	C654	CK730BU0J106M	C CAPACITOR	10uF 6.3V M	1	
	C655	CK730BU0J106M	C CAPACITOR	10uF 6.3V M	1	
	C656	CK730BU0J106M	C CAPACITOR	10uF 6.3V M	1	
	C671	CK73HBB1H222K	C CAPACITOR	2200pF 50V K	1	
	C672	CK73HBB1H222K	C CAPACITOR	2200pF 50V K	1	
	C673	CK73HBB1H222K	C CAPACITOR	2200pF 50V K	1	
	C674	CK73HBB1H222K	C CAPACITOR	2200pF 50V K	1	
	C682	CK73HBB1C103K	C CAPACITOR	0.01uF 16V K	1	
	C693	CK73GBB1H103K	C CAPACITOR	0.01uF 50V K	1	
	C701	NCB31CK-105X	C CAPACITOR	1uF 16V K	1	A,G,K,P
	C702	NCB31CK-105X	C CAPACITOR	1uF 16V K	1	A,G,K,P
	C703	CK730BU0J106M	C CAPACITOR	10uF 6.3V M	1	A,G,K,P
	C711	CK73HBB1C104K	C CAPACITOR	0.1uF 16V K	1	A,G,K,P
	C721	CK73HBB1C104K	C CAPACITOR	0.1uF 16V K	1	A,E,F,G,I,J,K,O,P,R, S,T
	C731	CK730BS0J105K	C CAPACITOR	1uF 6.3V K	1	E,F,I,J,O,R,S,T
	C732	CK730BS0J105K	C CAPACITOR	1uF 6.3V K	1	E,F,I,J,O,R,S,T
	C733	CK730BS0J105K	C CAPACITOR	1uF 6.3V K	1	E,F,I,J,O,R,S,T
	C734	CK730BS0J105K	C CAPACITOR	1uF 6.3V K	1	E,F,I,J,O,R,S,T
	C735	CK730BS0J105K	C CAPACITOR	1uF 6.3V K	1	E,F,I,J,O,R,S,T
	C736	CK730BS0J105K	C CAPACITOR	1uF 6.3V K	1	E,F,I,J,O,R,S,T
	C737	CK730BU0J106M	C CAPACITOR	10uF 6.3V M	1	
	C738	CK73HBB1A104K	C CAPACITOR	0.1uF 10V K	1	E,F,I,J,O,R,S,T
	C741	CK730BU0J475K	C CAPACITOR	4.7uF 6.3V K	1	E,F,I,J,O,R,S,T
	C745	CK730BU0J106M	C CAPACITOR	10uF 6.3V M	1	E,F,I,J,O,R,S,T
	C761	CK73HBB1H102K	C CAPACITOR	1000pF 50V K	1	B,E,F,I,J,L,O,R,S,T
	C851	NCB31CK-105X	C CAPACITOR	1uF 16V K	1	
	C852	NCB31CK-105X	C CAPACITOR	1uF 16V K	1	
	C853	CK73GBB1H103K	C CAPACITOR	0.01uF 50V K	1	
	C854	NCB31HK-104X	C CAPACITOR	0.1uF 50V K	1	
	C855	CK730BU0J106M	C CAPACITOR	10uF 6.3V M	1	
	C951	NCB31CK-105X	C CAPACITOR	1uF 16V K	1	E,F,I,J,O,R,S,T
	C952	NCB31CK-105X	C CAPACITOR	1uF 16V K	1	E,F,I,J,O,R,S,T
	C2011	CC73HCH1H030C	C CAPACITOR	3pF 50V C	1	
	C2012	CC73HCH1H070D	C CAPACITOR	7pF 50V D	1	
	C2013	CC73HCH1H100D	C CAPACITOR	10pF 50V D	1	
	R11	RK73GH2A562D	MG RESISTOR	5.6kΩ 1/10W D	1	
	R12	RK73GH2A431D	MG RESISTOR	430Ω 1/10W D	1	
	R13	RK73GH2A751D	MG RESISTOR	750Ω 1/10W D	1	
	R15	RK73GH2A273D	MG RESISTOR	27kΩ 1/10W D	1	
	R16	RK73GB2A000J	MG RESISTOR	0Ω 1/10W J	1	
	R17	RK73GH2A472D	MG RESISTOR	4.7kΩ 1/10W D	1	
	R18	RK73HB1J101J	MG RESISTOR	100Ω 1/16W J	1	
	R19	RK73HB1J000J	MG RESISTOR	0Ω 1/16W J	1	
	R23	RK73FB2B000J	MG RESISTOR	0Ω 1/8W J	1	
	R24	RK73FB2B000J	MG RESISTOR	0Ω 1/8W J	1	
	R26	RK73FB2B000J	MG RESISTOR	0Ω 1/8W J	1	
	R27	RK73FB2B000J	MG RESISTOR	0Ω 1/8W J	1	
	R31	RK73GB2A683J	MG RESISTOR	68kΩ 1/10W J	1	
	R32	RK73GB2A473J	MG RESISTOR	47kΩ 1/10W J	1	
	R33	RK73HB1J153J	MG RESISTOR	15kΩ 1/16W J	1	
	R34	RK73HB1J473J	MG RESISTOR	47kΩ 1/16W J	1	
	R35	RK73HB1J103J	MG RESISTOR	10kΩ 1/16W J	1	
	R36	RK73HB1J912J	MG RESISTOR	9.1kΩ 1/16W J	1	
	R41	RK73EB2E153J	MG RESISTOR	15kΩ 1/4W J	1	
	R44	RK73HB1J822J	MG RESISTOR	8.2kΩ 1/16W J	1	
	R45	RK73EB2E102J	MG RESISTOR	1kΩ 1/4W J	1	
	R46	RK73EB2E102J	MG RESISTOR	1kΩ 1/4W J	1	
	R47	RK73EB2E102J	MG RESISTOR	1kΩ 1/4W J	1	
	R51	RK73GB2A223J	MG RESISTOR	22kΩ 1/10W J	1	
	R52	RK73GB2A472J	MG RESISTOR	4.7kΩ 1/10W J	1	
	R53	RK73GB2A472J	MG RESISTOR	4.7kΩ 1/10W J	1	
	R54	RK73HB1J333J	MG RESISTOR	33kΩ 1/16W J	1	
	R55	RK73HB1J223J	MG RESISTOR	22kΩ 1/16W J	1	
	R71	RK73GB2A152J	MG RESISTOR	1.5kΩ 1/10W J	1	
	R81	RK73FB2B472J	MG RESISTOR	4.7kΩ 1/8W J	1	
	R82	RK73FB2B472J	MG RESISTOR	4.7kΩ 1/8W J	1	A,B,E,F,G,H,I,J,K,L, O,P,Q,R,S,T
	R101	RK73HB1J223J	MG RESISTOR	22kΩ 1/16W J	1	
	R102	RK73HB1J103J	MG RESISTOR	10kΩ 1/16W J	1	

MODEL	MARK	MODEL	MARK	MODEL	MARK	MODEL	MARK
KW-V100J	A	KW-V10A	B	KW-V10E	C	KW-V10EE	D
KW-V10EU	E	KW-V10HUN	F	KW-V10J	G	KW-V10JW	H
KW-V10U	I	KW-V10UI	J	KW-V200BTJ	K	KW-V20BTA	L
KW-V20BTE	M	KW-V20BTEE	N	KW-V20BTEU	O	KW-V20BTJ	P
KW-V20BTJW	Q	KW-V20BTTUN	R	KW-V20BTU	S	KW-V20BTUI	T

Safe	Symbol No.	Parts No.	Parts Name	Description	QTY	Local
	R103	RK73HB1J471J	MG RESISTOR	470Ω 1/16W J	1	
	R104	RK73HB1J103J	MG RESISTOR	10kΩ 1/16W J	1	
	R105	RK73HB1J472J	MG RESISTOR	4.7kΩ 1/16W J	1	
	R111	RK73HB1J101J	MG RESISTOR	100Ω 1/16W J	1	
	R112	RK73HB1J470J	MG RESISTOR	47Ω 1/16W J	1	
	R113	RK73HB1J473J	MG RESISTOR	47kΩ 1/16W J	1	
	R120	RK73GB2A000J	MG RESISTOR	0Ω 1/10W J	1	
	R121	RK73HH1J623D	MG RESISTOR	62kΩ 1/16W D	1	
	R122	RK73HH1J273D	MG RESISTOR	27kΩ 1/16W D	1	
	R123	RK73HB1J000J	MG RESISTOR	0Ω 1/16W J	1	
	R124	RK73HB1J103J	MG RESISTOR	10kΩ 1/16W J	1	
	R125	RK73PB2H100J	MG RESISTOR	10Ω 1/2W J	1	
	R126	RK73HB1J223J	MG RESISTOR	22kΩ 1/16W J	1	
	R131	RK73HB1J101J	MG RESISTOR	100Ω 1/16W J	1	
	R132	RK73HB1J470J	MG RESISTOR	47Ω 1/16W J	1	
	R133	RK73HB1J473J	MG RESISTOR	47kΩ 1/16W J	1	
	R140	RK73GB2A000J	MG RESISTOR	0Ω 1/10W J	1	
	R141	RK73HH1J124D	MG RESISTOR	120kΩ 1/16W D	1	
	R142	RK73HH1J303D	MG RESISTOR	30kΩ 1/16W D	1	
	R143	RK73HB1J000J	MG RESISTOR	0Ω 1/16W J	1	
	R144	RK73HB1J103J	MG RESISTOR	10kΩ 1/16W J	1	
	R145	RK73PB2H100J	MG RESISTOR	10Ω 1/2W J	1	
	R146	RK73HB1J223J	MG RESISTOR	22kΩ 1/16W J	1	
	R150	RK73GB2A000J	MG RESISTOR	0Ω 1/10W J	1	
	R151	RK73HB1J101J	MG RESISTOR	100Ω 1/16W J	1	
	R152	RK73HH1J563D	MG RESISTOR	56kΩ 1/16W D	1	
	R153	RK73PB2H100J	MG RESISTOR	10Ω 1/2W J	1	
	R154	RK73HH1J472D	MG RESISTOR	4.7kΩ 1/16W D	1	
	R155	RK73HH1J103D	MG RESISTOR	10kΩ 1/16W D	1	
	R156	RK73HB1J000J	MG RESISTOR	0Ω 1/16W J	1	
	R157	RK73HH1J164D	MG RESISTOR	160kΩ 1/16W D	1	
	R158	RK73EB2E560J	MG RESISTOR	56Ω 1/4W J	1	
	R160	RK73GB2A000J	MG RESISTOR	0Ω 1/10W J	1	
	R161	RK73HH1J104D	MG RESISTOR	100kΩ 1/16W D	1	
	R162	RK73HH1J563D	MG RESISTOR	56kΩ 1/16W D	1	
	R163	RK73HB1J000J	MG RESISTOR	0Ω 1/16W J	1	
	R164	RK73HB1J000J	MG RESISTOR	0Ω 1/16W J	1	
	R165	NR20126-R062X	MG RESISTOR	0.062Ω	1	
	R171	RK73HB1J101J	MG RESISTOR	100Ω 1/16W J	1	
	R172	RK73HB1J470J	MG RESISTOR	47Ω 1/16W J	1	
	R173	RK73HB1J473J	MG RESISTOR	47kΩ 1/16W J	1	
	R181	RK73HH1J104D	MG RESISTOR	100kΩ 1/16W D	1	
	R182	RK73HH1J243D	MG RESISTOR	24kΩ 1/16W D	1	
	R183	RK73HB1J000J	MG RESISTOR	0Ω 1/16W J	1	
	R184	RK73HB1J103J	MG RESISTOR	10kΩ 1/16W J	1	
	R185	RK73PB2H100J	MG RESISTOR	10Ω 1/2W J	1	
	R186	RK73HB1J223J	MG RESISTOR	22kΩ 1/16W J	1	
	R187	RK73HB1J223J	MG RESISTOR	22kΩ 1/16W J	1	
	R188	RK73HB1J103J	MG RESISTOR	10kΩ 1/16W J	1	
	R205	RK73HB1J6R8J	MG RESISTOR	6.8Ω 1/16W J	1	
	R240	RK73HB1J000J	MG RESISTOR	0Ω 1/16W J	1	
	R241	RK73GB2A223J	MG RESISTOR	22kΩ 1/10W J	1	
	R242	RK73HB1J331J	MG RESISTOR	330Ω 1/16W J	1	
	R243	RK73HB1J223J	MG RESISTOR	22kΩ 1/16W J	1	
	R244	RK73HB1J182J	MG RESISTOR	1.8kΩ 1/16W J	1	
	R245	RK73HB1J333J	MG RESISTOR	33kΩ 1/16W J	1	
	R246	RK73HB1J000J	MG RESISTOR	0Ω 1/16W J	1	
	R248	RK73HB1J000J	MG RESISTOR	0Ω 1/16W J	1	
	R251	RK73HB1J471J	MG RESISTOR	470Ω 1/16W J	1	
	R252	RK73HB1J471J	MG RESISTOR	470Ω 1/16W J	1	
	R253	RK73HB1J471J	MG RESISTOR	470Ω 1/16W J	1	
	R254	RK73HB1J471J	MG RESISTOR	470Ω 1/16W J	1	
	R255	RK73HB1J471J	MG RESISTOR	470Ω 1/16W J	1	
	R261	RK73HB1J223J	MG RESISTOR	22kΩ 1/16W J	1	
	R262	RK73HB1J223J	MG RESISTOR	22kΩ 1/16W J	1	
	R263	RK73HB1J223J	MG RESISTOR	22kΩ 1/16W J	1	
	R264	RK73HB1J223J	MG RESISTOR	22kΩ 1/16W J	1	
	R265	RK73HB1J223J	MG RESISTOR	22kΩ 1/16W J	1	
	R271	RK73GB2A101J	MG RESISTOR	100Ω 1/10W J	1	
	R272	RK73GB2A101J	MG RESISTOR	100Ω 1/10W J	1	
	R273	RK73GB2A101J	MG RESISTOR	100Ω 1/10W J	1	
	R274	RK73GB2A101J	MG RESISTOR	100Ω 1/10W J	1	
	R275	RK73GB2A101J	MG RESISTOR	100Ω 1/10W J	1	
	R281	RK73HB1J000J	MG RESISTOR	0Ω 1/16W J	1	
	R282	RK73HB1J000J	MG RESISTOR	0Ω 1/16W J	1	
	R283	RK73HB1J000J	MG RESISTOR	0Ω 1/16W J	1	
	R284	RK73HB1J000J	MG RESISTOR	0Ω 1/16W J	1	
	R285	RK73HB1J000J	MG RESISTOR	0Ω 1/16W J	1	
	R291	RK73HB1J471J	MG RESISTOR	470Ω 1/16W J	1	A,G,K,P,Q
	R292	RK73HB1J471J	MG RESISTOR	470Ω 1/16W J	1	A,G,K,P,Q
	R293	RK73GB2A223J	MG RESISTOR	22kΩ 1/10W J	1	A,G,K,P,Q
	R294	RK73GB2A223J	MG RESISTOR	22kΩ 1/10W J	1	A,G,K,P,Q
	R295	RK73GB2A101J	MG RESISTOR	100Ω 1/10W J	1	A,G,K,P,Q
	R296	RK73GB2A101J	MG RESISTOR	100Ω 1/10W J	1	A,G,K,P,Q
	R297	RK73HB1J473J	MG RESISTOR	47kΩ 1/16W J	1	A,G,K,P,Q
	R298	RK73HB1J473J	MG RESISTOR	47kΩ 1/16W J	1	B,C,D,E,F,H,I,J,L,M, N,O,R,S,T
	R301	RK73GB2A2R2J	MG RESISTOR	2.2Ω 1/10W J	1	
	R302	RK73HB1J102J	MG RESISTOR	1kΩ 1/16W J	1	

MODEL	MARK	MODEL	MARK	MODEL	MARK	MODEL	MARK
KW-V100J	A	KW-V10A	B	KW-V10E	C	KW-V10EE	D
KW-V10EU	E	KW-V10HUN	F	KW-V10J	G	KW-V10JW	H
KW-V10U	I	KW-V10UI	J	KW-V200BTJ	K	KW-V20BTA	L
KW-V20BTE	M	KW-V20BTEE	N	KW-V20BTEU	O	KW-V20BTJ	P
KW-V20BTJW	Q	KW-V20BTTUN	R	KW-V20BTU	S	KW-V20BTUI	T

Safe	Symbol No.	Parts No.	Parts Name	Description	QTY	Local
R304		RK73HB1J103J	MG RESISTOR	10kΩ 1/16W J	1	
R305		RK73HB1J101J	MG RESISTOR	100Ω 1/16W J	1	
R306		RK73HB1J101J	MG RESISTOR	100Ω 1/16W J	1	
R307		RK73HB1J101J	MG RESISTOR	100Ω 1/16W J	1	
R401		RK73GB2A000J	MG RESISTOR	0Ω 1/10W J	1	
R402		RK73GB2A105J	MG RESISTOR	1MΩ 1/10W J	1	
R403		RK73GB2A471J	MG RESISTOR	470Ω 1/10W J	1	
R404		RK73GB2A271J	MG RESISTOR	270Ω 1/10W J	1	
R405		RK73GB2A105J	MG RESISTOR	1MΩ 1/10W J	1	
R407		RK73GB2A105J	MG RESISTOR	1MΩ 1/10W J	1	
R408		RK73GB2A105J	MG RESISTOR	1MΩ 1/10W J	1	
R409		RK73GB2A102J	MG RESISTOR	1kΩ 1/10W J	1	
R410		RK73GB2A102J	MG RESISTOR	1kΩ 1/10W J	1	
R411		RK73GB2A120J	MG RESISTOR	12Ω 1/10W J	1	
R442		RK73GB2A000J	MG RESISTOR	0Ω 1/10W J	1	
R443		RK73GB2A000J	MG RESISTOR	0Ω 1/10W J	1	
R444		RK73GB2A000J	MG RESISTOR	0Ω 1/10W J	1	
R450		RK73GB2A000J	MG RESISTOR	0Ω 1/10W J	1	
R451		RK73GB2A000J	MG RESISTOR	0Ω 1/10W J	1	
R452		RK73GB2A000J	MG RESISTOR	0Ω 1/10W J	1	
R453		RK73GB2A101J	MG RESISTOR	100Ω 1/10W J	1	
R454		RK73GB2A101J	MG RESISTOR	100Ω 1/10W J	1	
R457		RK73GB2A470J	MG RESISTOR	47Ω 1/10W J	1	
R460		RK73GB2A000J	MG RESISTOR	0Ω 1/10W J	1	
R461		RK73GB2A000J	MG RESISTOR	0Ω 1/10W J	1	
R462		RK73GB2A000J	MG RESISTOR	0Ω 1/10W J	1	
R463		RK73GB2A000J	MG RESISTOR	0Ω 1/10W J	1	
R464		RK73GB2A000J	MG RESISTOR	0Ω 1/10W J	1	
R465		RK73GB2A000J	MG RESISTOR	0Ω 1/10W J	1	
R466		RK73HB1J000J	MG RESISTOR	0Ω 1/16W J	1	
R467		RK73HB1J000J	MG RESISTOR	0Ω 1/16W J	1	
R468		RK73HB1J103J	MG RESISTOR	10kΩ 1/16W J	1	
R501		RK73HB1J473J	MG RESISTOR	47kΩ 1/16W J	1	
R502		RK73HB1J102J	MG RESISTOR	1kΩ 1/16W J	1	
R504		RK73GB2A154J	MG RESISTOR	150kΩ 1/10W J	1	
R505		RK73HB1J101J	MG RESISTOR	100Ω 1/16W J	1	
R506		RK73HB1J473J	MG RESISTOR	47kΩ 1/16W J	1	
R507		RK73HB1J101J	MG RESISTOR	100Ω 1/16W J	1	
R509		RK73HB1J000J	MG RESISTOR	0Ω 1/16W J	1	
R510		RK73HB1J472J	MG RESISTOR	4.7kΩ 1/16W J	1	
R511		RK73HB1J123J	MG RESISTOR	12kΩ 1/16W J	1	B,E,F,I,J,L,O,R,S,T
R512		RK73HB1J123J	MG RESISTOR	12kΩ 1/16W J	1	A,C,D,G,H,K,M,N,P,Q
R512		RK73HB1J913J	MG RESISTOR	91kΩ 1/16W J	1	R
R514		RK73HB1J473J	MG RESISTOR	47kΩ 1/16W J	1	
R516		RK73HB1J473J	MG RESISTOR	47kΩ 1/16W J	1	
R519		RK73HB1J101J	MG RESISTOR	100Ω 1/16W J	1	
R520		RK73HB1J473J	MG RESISTOR	47kΩ 1/16W J	1	
R521		RK73HB1J123J	MG RESISTOR	12kΩ 1/16W J	1	B,C,D,E,F,H,I,J,L,M, N,O,Q,R,S,T
R522		RK73HB1J123J	MG RESISTOR	12kΩ 1/16W J	1	A,G,K,P
R522		RK73HB1J243J	MG RESISTOR	24kΩ 1/16W J	1	B,L
R522		RK73HB1J332J	MG RESISTOR	3.3kΩ 1/16W J	1	C,M
R522		RK73HB1J622J	MG RESISTOR	6.2kΩ 1/16W J	1	D,N
R522		RK73HB1J153J	MG RESISTOR	15kΩ 1/16W J	1	E,J,O,T
R522		RK73HB1J912J	MG RESISTOR	9.1kΩ 1/16W J	1	F,I,R,S
R522		RK73HB1J152J	MG RESISTOR	1.5kΩ 1/16W J	1	H,Q
R523		RK73HB1J123J	MG RESISTOR	12kΩ 1/16W J	1	K,L,M,N,O,P,Q,R,S,T
R524		RK73HB1J123J	MG RESISTOR	12kΩ 1/16W J	1	A,B,C,D,E,F,G,H,I,J
R524		RK73HB1J152J	MG RESISTOR	1.5kΩ 1/16W J	1	K,L,M,N,O,P,Q,R,S,T
R525		RK73HB1J123J	MG RESISTOR	12kΩ 1/16W J	1	R
R526		RK73HB1J123J	MG RESISTOR	12kΩ 1/16W J	1	A,B,C,D,E,F,G,H,I,J, K,L,M,N,O,P,Q,S,T
R527		RK73HB1J473J	MG RESISTOR	47kΩ 1/16W J	1	
R529		RK73HB1J106J	MG RESISTOR	10MΩ 1/16W J	1	
R531		RK73HB1J102J	MG RESISTOR	1kΩ 1/16W J	1	
R532		RK73HB1J102J	MG RESISTOR	1kΩ 1/16W J	1	
R533		RK73HB1J123J	MG RESISTOR	12kΩ 1/16W J	1	
R534		RK73HB1J123J	MG RESISTOR	12kΩ 1/16W J	1	
R535		RK73HB1J102J	MG RESISTOR	1kΩ 1/16W J	1	
R536		RK73HB1J102J	MG RESISTOR	1kΩ 1/16W J	1	
R537		RK73HB1J473J	MG RESISTOR	47kΩ 1/16W J	1	
R538		RK73HB1J473J	MG RESISTOR	47kΩ 1/16W J	1	
R539		RK73HB1J473J	MG RESISTOR	47kΩ 1/16W J	1	
R540		RK73HB1J474J	MG RESISTOR	470kΩ 1/16W J	1	
R541		RK73HB1J473J	MG RESISTOR	47kΩ 1/16W J	1	
R545		RK73HB1J101J	MG RESISTOR	100Ω 1/16W J	1	
R546		RK73HB1J473J	MG RESISTOR	47kΩ 1/16W J	1	
R547		RK73HB1J101J	MG RESISTOR	100Ω 1/16W J	1	
R548		RK73HB1J104J	MG RESISTOR	100kΩ 1/16W J	1	
R549		RK73HB1J101J	MG RESISTOR	100Ω 1/16W J	1	
R550		RK73HB1J473J	MG RESISTOR	47kΩ 1/16W J	1	
R551		RK73HB1J103J	MG RESISTOR	10kΩ 1/16W J	1	
R552		RK73HB1J223J	MG RESISTOR	22kΩ 1/16W J	1	
R553		RK73HB1J223J	MG RESISTOR	22kΩ 1/16W J	1	
R554		RK73HB1J473J	MG RESISTOR	47kΩ 1/16W J	1	
R555		RK73HB1J473J	MG RESISTOR	47kΩ 1/16W J	1	
R556		RK73HB1J222J	MG RESISTOR	2.2kΩ 1/16W J	1	
R557		RK73HB1J101J	MG RESISTOR	100Ω 1/16W J	1	

MODEL	MARK	MODEL	MARK	MODEL	MARK	MODEL	MARK
KW-V100J	A	KW-V10A	B	KW-V10E	C	KW-V10EE	D
KW-V10EU	E	KW-V10HUN	F	KW-V10J	G	KW-V10JW	H
KW-V10U	I	KW-V10UI	J	KW-V200BTJ	K	KW-V20BTA	L
KW-V20BTE	M	KW-V20BTEE	N	KW-V20BTEU	O	KW-V20BTJ	P
KW-V20BTJW	Q	KW-V20BTTUN	R	KW-V20BTU	S	KW-V20BTUI	T

Safe	Symbol No.	Parts No.	Parts Name	Description	QTY	Local
	R558	RK73GB2A104J	MG RESISTOR	100kΩ 1/10W J	1	
	R559	RK73HB1J101J	MG RESISTOR	100Ω 1/16W J	1	
	R561	RK73HB1J101J	MG RESISTOR	100Ω 1/16W J	1	
	R562	RK73HB1J473J	MG RESISTOR	47kΩ 1/16W J	1	
	R563	RK73HB1J104J	MG RESISTOR	100kΩ 1/16W J	1	
	R564	RK73HB1J222J	MG RESISTOR	2.2kΩ 1/16W J	1	
	R565	RK73HB1J101J	MG RESISTOR	100Ω 1/16W J	1	
	R566	RK73HB1J101J	MG RESISTOR	100Ω 1/16W J	1	
	R570	RK73HB1J101J	MG RESISTOR	100Ω 1/16W J	1	
	R571	RK73HB1J101J	MG RESISTOR	100Ω 1/16W J	1	
	R572	RK73HB1J101J	MG RESISTOR	100Ω 1/16W J	1	
	R573	RK73HB1J472J	MG RESISTOR	4.7kΩ 1/16W J	1	
	R574	RK73HB1J472J	MG RESISTOR	4.7kΩ 1/16W J	1	
	R575	RK73HB1J101J	MG RESISTOR	100Ω 1/16W J	1	
	R576	RK73HB1J101J	MG RESISTOR	100Ω 1/16W J	1	
	R578	RK73HB1J472J	MG RESISTOR	4.7kΩ 1/16W J	1	
	R579	RK73HB1J472J	MG RESISTOR	4.7kΩ 1/16W J	1	
	R581	RK73HB1J470J	MG RESISTOR	47Ω 1/16W J	1	
	R582	RK73HB1J473J	MG RESISTOR	47kΩ 1/16W J	1	
	R583	RK73HB1J473J	MG RESISTOR	47kΩ 1/16W J	1	
	R584	RK73HB1J101J	MG RESISTOR	100Ω 1/16W J	1	
	R585	RK73HB1J123J	MG RESISTOR	12kΩ 1/16W J	1	
	R586	RK73HB1J101J	MG RESISTOR	100Ω 1/16W J	1	
	R587	RK73HB1J153J	MG RESISTOR	15kΩ 1/16W J	1	
	R588	RK73HB1J101J	MG RESISTOR	100Ω 1/16W J	1	
	R589	RK73HB1J473J	MG RESISTOR	47kΩ 1/16W J	1	
	R591	RK73GB2A000J	MG RESISTOR	0Ω 1/10W J	1	
	R592	RK73HB1J473J	MG RESISTOR	47kΩ 1/16W J	1	
	R593	RK73HB1J473J	MG RESISTOR	47kΩ 1/16W J	1	
	R611	RK73HB1J333J	MG RESISTOR	33kΩ 1/16W J	1	
	R612	RK73HB1J333J	MG RESISTOR	33kΩ 1/16W J	1	
	R621	RK73HB1J470J	MG RESISTOR	47Ω 1/16W J	1	
	R622	RK73HB1J470J	MG RESISTOR	47Ω 1/16W J	1	
	R623	RK73HB1J470J	MG RESISTOR	47Ω 1/16W J	1	
	R625	RK73HB1J100J	MG RESISTOR	10Ω 1/16W J	1	
	R626	RK73HB1J4R7J	MG RESISTOR	4.7Ω 1/16W J	1	
	R627	RK73HB1J100J	MG RESISTOR	10Ω 1/16W J	1	
	R661	RK73HH1J151D	MG RESISTOR	150Ω 1/16W D	1	
	R662	RK73HH1J151D	MG RESISTOR	150Ω 1/16W D	1	
	R663	RK73HH1J151D	MG RESISTOR	150Ω 1/16W D	1	
	R664	RK73HH1J151D	MG RESISTOR	150Ω 1/16W D	1	
	R671	RK73HB1J221J	MG RESISTOR	220Ω 1/16W J	1	
	R672	RK73HB1J221J	MG RESISTOR	220Ω 1/16W J	1	
	R673	RK73HB1J221J	MG RESISTOR	220Ω 1/16W J	1	
	R674	RK73HB1J221J	MG RESISTOR	220Ω 1/16W J	1	
	R681	RK73HB1J000J	MG RESISTOR	0Ω 1/16W J	1	
	R682	RK73HB1J000J	MG RESISTOR	0Ω 1/16W J	1	
	R683	RK73GB2A751J	MG RESISTOR	750Ω 1/10W J	1	
	R701	RK73GB2A100J	MG RESISTOR	10Ω 1/10W J	1	A,G,K,P
	R702	RK73GB2A100J	MG RESISTOR	10Ω 1/10W J	1	A,G,K,P
	R703	RK73GB2A4R7J	MG RESISTOR	4.7Ω 1/10W J	1	A,G,K,P
	R704	RK73GB2A102J	MG RESISTOR	1kΩ 1/10W J	1	A,G,K,P
	R707	RK73HB1J000J	MG RESISTOR	0Ω 1/16W J	1	A,G,K,P
	R708	RK73HB1J000J	MG RESISTOR	0Ω 1/16W J	1	A,G,K,P
	R709	RK73HB1J000J	MG RESISTOR	0Ω 1/16W J	1	A,G,K,P
	R711	RK73GB2A101J	MG RESISTOR	100Ω 1/10W J	1	A,G,K,P
	R712	RK73GB2A101J	MG RESISTOR	100Ω 1/10W J	1	A,G,K,P
	R713	RK73GB2A101J	MG RESISTOR	100Ω 1/10W J	1	A,G,K,P
	R714	RK73HB1J272J	MG RESISTOR	2.7kΩ 1/16W J	1	A,G,K,P
	R715	RK73HB1J272J	MG RESISTOR	2.7kΩ 1/16W J	1	A,G,K,P
	R716	RK73HB1J101J	MG RESISTOR	100Ω 1/16W J	1	
	R721	RK73HB1J473J	MG RESISTOR	47kΩ 1/16W J	1	A,E,F,G,I,J,K,O,P,R, S,T
	R722	RK73HB1J101J	MG RESISTOR	100Ω 1/16W J	1	A,E,F,G,I,J,K,O,P,R, S,T
	R723	RK73HB1J101J	MG RESISTOR	100Ω 1/16W J	1	A,E,F,G,I,J,K,O,P,R, S,T
	R724	RK73HB1J473J	MG RESISTOR	47kΩ 1/16W J	1	A,E,F,G,I,J,K,O,P,R, S,T
	R725	RK73HB1J473J	MG RESISTOR	47kΩ 1/16W J	1	A,B,C,D,G,H,K,L,M,N, P,Q
	R726	RK73HB1J473J	MG RESISTOR	47kΩ 1/16W J	1	B,C,D,E,F,H,I,J,L,M, N,O,Q,R,S,T
	R731	RK73HB1J105J	MG RESISTOR	1MΩ 1/16W J	1	E,F,I,J,O,R,S,T
	R732	RK73HB1J105J	MG RESISTOR	1MΩ 1/16W J	1	E,F,I,J,O,R,S,T
	R733	RK73HB1J105J	MG RESISTOR	1MΩ 1/16W J	1	E,F,I,J,O,R,S,T
	R734	RK73HB1J105J	MG RESISTOR	1MΩ 1/16W J	1	E,F,I,J,O,R,S,T
	R735	RK73HB1J105J	MG RESISTOR	1MΩ 1/16W J	1	E,F,I,J,O,R,S,T
	R736	RK73HB1J105J	MG RESISTOR	1MΩ 1/16W J	1	E,F,I,J,O,R,S,T
	R737	RK73HB1J000J	MG RESISTOR	0Ω 1/16W J	1	A,B,C,D,G,H,K,L,M,N, P,Q
	R738	RK73HB1J000J	MG RESISTOR	0Ω 1/16W J	1	A,B,C,D,G,H,K,L,M,N, P,Q
	R739	RK73HB1J000J	MG RESISTOR	0Ω 1/16W J	1	A,B,C,D,G,H,K,L,M,N, P,Q
	R741	RK73GB2A683J	MG RESISTOR	68kΩ 1/10W J	1	E,F,I,J,O,R,S,T
	R743	RK73GB2A362J	MG RESISTOR	3.6kΩ 1/10W J	1	E,F,I,J,O,R,S,T
	R744	RK73GB2A000J	MG RESISTOR	0Ω 1/10W J	1	E,F,I,J,O,R,S,T
	R747	RK73HB1J000J	MG RESISTOR	0Ω 1/16W J	1	E,F,I,J,O,R,S,T

MODEL	MARK	MODEL	MARK	MODEL	MARK	MODEL	MARK
KW-V100J	A	KW-V10A	B	KW-V10E	C	KW-V10EE	D
KW-V10EU	E	KW-V10HUN	F	KW-V10J	G	KW-V10JW	H
KW-V10U	I	KW-V10UI	J	KW-V200BTJ	K	KW-V20BTA	L
KW-V20BTE	M	KW-V20BTEE	N	KW-V20BTEU	O	KW-V20BTJ	P
KW-V20BTJW	Q	KW-V20BTTUN	R	KW-V20BTU	S	KW-V20BTUI	T

Safe	Symbol No.	Parts No.	Parts Name	Description	QTY	Local
	R748	RK73HB1J000J	MG RESISTOR	0Ω 1/16W J	1	E,F,I,J,O,R,S,T
	R749	RK73HB1J000J	MG RESISTOR	0Ω 1/16W J	1	E,F,I,J,O,R,S,T
	R751	RK73HB1J101J	MG RESISTOR	100Ω 1/16W J	1	
	R752	RK73HB1J101J	MG RESISTOR	100Ω 1/16W J	1	
	R753	RK73HB1J000J	MG RESISTOR	0Ω 1/16W J	1	
	R754	RK73HB1J000J	MG RESISTOR	0Ω 1/16W J	1	
	R756	RK73HB1J223J	MG RESISTOR	22kΩ 1/16W J	1	
	R761	RK73GB2A470J	MG RESISTOR	47Ω 1/10W J	1	B,E,F,I,J,L,O,R,S,T
	R762	RK73GH2A472D	MG RESISTOR	4.7kΩ 1/10W D	1	B,E,F,I,J,L,O,R,S,T
	R763	RK73EB2E511J	MG RESISTOR	510Ω 1/4W J	1	B,E,F,I,J,L,O,R,S,T
	R764	RK73GB2A152J	MG RESISTOR	1.5kΩ 1/10W J	1	B,E,F,I,J,L,O,R,S,T
	R765	RK73GB2A681J	MG RESISTOR	680Ω 1/10W J	1	B,E,F,I,J,L,O,R,S,T
	R766	RK73GB2A104J	MG RESISTOR	100kΩ 1/10W J	1	B,E,F,I,J,L,O,R,S,T
	R767	RK73GB2A102J	MG RESISTOR	1kΩ 1/10W J	1	B,E,F,I,J,L,O,R,S,T
	R768	RK73GB2A000J	MG RESISTOR	0Ω 1/10W J	1	B,E,F,I,J,L,O,R,S,T
	R771	RK73GB2A470J	MG RESISTOR	47Ω 1/10W J	1	B,E,F,I,J,L,O,R,S,T
	R772	RK73GH2A472D	MG RESISTOR	4.7kΩ 1/10W D	1	B,E,F,I,J,L,O,R,S,T
	R773	RK73EB2E511J	MG RESISTOR	510Ω 1/4W J	1	B,E,F,I,J,L,O,R,S,T
	R774	RK73GB2A152J	MG RESISTOR	1.5kΩ 1/10W J	1	B,E,F,I,J,L,O,R,S,T
	R775	RK73GB2A681J	MG RESISTOR	680Ω 1/10W J	1	B,E,F,I,J,L,O,R,S,T
	R776	RK73GB2A104J	MG RESISTOR	100kΩ 1/10W J	1	B,E,F,I,J,L,O,R,S,T
	R777	RK73GB2A102J	MG RESISTOR	1kΩ 1/10W J	1	B,E,F,I,J,L,O,R,S,T
	R778	RK73HB1J000J	MG RESISTOR	0Ω 1/16W J	1	B,E,F,I,J,L,O,R,S,T
	R783	RK73HB1J473J	MG RESISTOR	47kΩ 1/16W J	1	K,L,M,N,O,P,Q,R,S,T
	R784	RK73HB1J473J	MG RESISTOR	47kΩ 1/16W J	1	A,B,C,D,E,F,G,H,I,J
	R786	RK73HB1J473J	MG RESISTOR	47kΩ 1/16W J	1	K,L,M,N,O,P,Q,R,S,T
	R795	RK73HB1J222J	MG RESISTOR	2.2kΩ 1/16W J	1	
	R796	RK73HB1J222J	MG RESISTOR	2.2kΩ 1/16W J	1	
	R797	RK73HB1J103J	MG RESISTOR	10kΩ 1/16W J	1	
	R798	RK73HB1J103J	MG RESISTOR	10kΩ 1/16W J	1	
	R810	RK73FB2B000J	MG RESISTOR	0Ω 1/8W J	1	
	R891	RK73GB2A000J	MG RESISTOR	0Ω 1/10W J	1	
	R892	RK73GB2A000J	MG RESISTOR	0Ω 1/10W J	1	
	R951	RK73GB2A000J	MG RESISTOR	0Ω 1/10W J	1	A,G,K,P
	R952	RK73GB2A000J	MG RESISTOR	0Ω 1/10W J	1	A,G,K,P
	R2011	RK73HB1J100J	MG RESISTOR	10Ω 1/16W J	1	
	RA561	RK74HB1J470J	NET RESISTOR	47Ω 1/16W J	1	
	RA581	RK74HB1J470J	NET RESISTOR	47Ω 1/16W J	1	
	RA781	RK74HB1J470J	NET RESISTOR	47Ω 1/16W J	1	K,L,M,N,O,P,Q,R,S,T
	L1	QQR1883-002	CHOKO COIL		1	
	L121	NQLL8EM-220X	COIL	22uH M	1	
	L141	NQLL8EM-220X	COIL	22uH M	1	
	L151	NQLL8EM-470X	COIL	47uH M	1	
	L181	NQLL8EM-220X	COIL	22uH M	1	
	L405	NQLD8DJ-1R8X	COIL	1.8uH J	1	
	L406	NQLE6DJ-R27X	COIL	0.27uH J	1	
	L410	NQR0592-004X	FERRITE BEADS		1	
	L411	NQLD8DJ-R68X	COIL	0.68uH J	1	
	L413	NQLD8DJ-R68X	COIL	0.68uH J	1	
	L414	NQLD8DJ-R47X	COIL	0.47uH J	1	
	L416	NQL114K-561X	P COIL	560uH K	1	
	L417	NQL114K-561X	P COIL	560uH K	1	
	L421	QQR1905-001	RF COIL		1	
	L482	NQL79GM-4R7X	COIL	4.7uH M	1	A,B,C,D,E,G,H,I,J,K, L,M,N,O,P,Q,S,T
	L482	LR73Z0AD4R7M	COIL	4.7uH	1	F,R
	L501	NQR0199-003X	FERRITE BEADS		1	
	L651	NQL79GM-4R7X	COIL	4.7uH M	1	A,B,C,D,E,G,H,I,J,K, L,M,N,O,P,Q,S,T
	L651	LR73Z0AD4R7M	COIL	4.7uH	1	F,R
	L652	NQLF6EM-100X	COIL	10uH M	1	A,B,C,D,E,G,H,I,J,K, L,M,N,O,P,Q,S,T
	L652	LR79Z0AG100M	COIL	10uH	1	F,R
	L681	NQR0704-001X	CHOKO COIL		1	
	L701	NQL79GM-4R7X	COIL	4.7uH M	1	A,G,K,P
	L851	NQL79GM-4R7X	COIL	4.7uH M	1	A,B,C,D,E,G,H,I,J,K, L,M,N,O,P,Q,S,T
	L851	LR73Z0AD4R7M	COIL	4.7uH	1	F,R
	CN501	QGF0534F7-20X	CONNECTOR	FFC/FPC (1-20)	1	
	CN502	QGF0536CA-20W	CONNECTOR	FFC/FPC (1-20)	1	
	CN601	QGF0534F7-45X	CONNECTOR	FFC/FPC (1-45)	1	
	CN651	QGF0534F7-50X	CONNECTOR	FFC/FPC (1-50)	1	
	CN681	QGA2001C1-05	CONNECTOR	W-B (1-5)	1	
	CN781	QGF0516C2-12X	CONNECTOR	FFC/FPC (1-12)	1	K,L,M,N,O,P,Q,R,S,T
△	F101	NMFZ032-4R0X-H	FUSE	4A	1	
	J1	QNZ0607-001	CAR CONNECTOR		1	
	J271	QNN0861-001	PIN JACK		1	
	J291	QNS0307-001	3.5 JACK		1	A,G,K,P,Q
	J701	QNZ0907-001	CIR CONNECTOR		1	A,G,K,P
	J761	QNS0307-001	3.5 JACK		1	B,E,F,I,J,L,O,R,S,T
	TH241	NAD0052-471X	P THERMISTOR	470Ω	1	
	VA271	NAF0045-180X	VARIATOR(ZNR)		1	
	VA272	NAF0045-180X	VARIATOR(ZNR)		1	
	VA273	NAF0045-180X	VARIATOR(ZNR)		1	
	VA274	NAF0045-180X	VARIATOR(ZNR)		1	
	VA275	NAF0045-180X	VARIATOR(ZNR)		1	
	VA277	NAF0045-180X	VARIATOR(ZNR)		1	
	VA295	NAF0046-180X	VARIATOR(ZNR)		1	A,G,K,P,Q
	VA296	NAF0046-180X	VARIATOR(ZNR)		1	A,G,K,P,Q

MODEL	MARK	MODEL	MARK	MODEL	MARK	MODEL	MARK
KW-V100J	A	KW-V10A	B	KW-V10E	C	KW-V10EE	D
KW-V10EU	E	KW-V10HUN	F	KW-V10J	G	KW-V10JW	H
KW-V10U	I	KW-V10UI	J	KW-V200BTJ	K	KW-V20BTA	L
KW-V20BTE	M	KW-V20BTEE	N	KW-V20BTEU	O	KW-V20BTJ	P
KW-V20BTJW	Q	KW-V20BTTUN	R	KW-V20BTU	S	KW-V20BTUI	T

Safe	Symbol No.	Parts No.	Parts Name	Description	QTY	Local
	VA297	NAF0046-180X	VARISTOR(ZNR)		1	A,G,K,P,Q
	VA400	NAF0024-001X	ESD SUPPRESSOR		1	
	VA625	NAF0045-180X	VARISTOR(ZNR)		1	
	VA626	NAF0045-180X	VARISTOR(ZNR)		1	
	VA627	NAF0045-180X	VARISTOR(ZNR)		1	
	VA701	NAF0045-180X	VARISTOR(ZNR)		1	A,G,K,P
	VA702	NAF0045-180X	VARISTOR(ZNR)		1	A,G,K,P
	VA703	NAF0045-180X	VARISTOR(ZNR)		1	A,G,K,P
	VA711	NAF0044-270X	VARISTOR(ZNR)		1	A,G,K,P
	VA712	NAF0044-270X	VARISTOR(ZNR)		1	A,G,K,P
	VA713	NAF0045-180X	VARISTOR(ZNR)		1	A,G,K,P
	VA761	NAF0045-180X	VARISTOR(ZNR)		1	B,E,F,I,J,L,O,R,S,T
	VA762	NAF0045-180X	VARISTOR(ZNR)		1	B,E,F,I,J,L,O,R,S,T
	VA771	NAF0045-180X	VARISTOR(ZNR)		1	B,E,F,I,J,L,O,R,S,T
	W400	QAM1427-001	CAR CABLE		1	
	X403	NAX1221-001X	CRYSTAL		1	
	X501	NAX1253-001X	CRYSTAL		1	
	X502	QAX0401-001	CRYSTAL	32.768KHz	1	

SUB PWB ASSY (LVA11269-xxA)(Except KW-V10HUN, KW-V20BTTUN) <02>

	IC41	BH7673G-W	IC		1	A,B,C,D,E,G,H,I,J,K, L,M,N,O,P,Q,S,T
	IC51	NJM2535V-X	IC		1	A,B,C,D,E,G,H,I,J,K, L,M,N,O,P,Q,S,T
	IC61	NJM2535V-X	IC		1	A,B,C,D,E,G,H,I,J,K, L,M,N,O,P,Q,S,T
	IC62	NJM2561F1-X	IC		1	A,B,C,D,E,G,H,I,J,K, L,M,N,O,P,Q,S,T
	IC491	TC7SET08FU-J-X	IC(DIGITAL)		1	E,I,J,O,S,T
	Q11	LSCR523EB-X	TRANSISTOR		1	A,B,C,D,E,G,H,I,J,K, L,M,N,O,P,Q,S,T
	Q12	LTA014YEB-X	DIGI TRANSISTOR		1	A,B,C,D,E,G,H,I,J,K, L,M,N,O,P,Q,S,T
	Q13	LSCR523EB-X	TRANSISTOR		1	A,B,C,D,E,G,H,I,J,K, L,M,N,O,P,Q,S,T
	Q21	LTC024EEB-X	DIGI TRANSISTOR		1	A,B,C,D,E,G,H,I,J,K, L,M,N,O,P,Q,S,T
	D11	DA2J101-X	SI DIODE		1	A,B,C,D,E,G,H,I,J,K, L,M,N,O,P,Q,S,T
	D21	DA2J101-X	SI DIODE		1	A,B,C,D,E,G,H,I,J,K, L,M,N,O,P,Q,S,T
	C11	NCB30JK-225X	C CAPACITOR	2.2uF 6.3V K	1	A,B,C,D,E,G,H,I,J,K, L,M,N,O,P,Q,S,T
	C21	CK73HBB1E103K	C CAPACITOR	0.01uF 25V K	1	A,B,C,D,E,G,H,I,J,K, L,M,N,O,P,Q,S,T
	C41	NCB31CK-105X	C CAPACITOR	1uF 16V K	1	A,B,C,D,E,G,H,I,J,K, L,M,N,O,P,Q,S,T
	C42	NCB31CK-105X	C CAPACITOR	1uF 16V K	1	A,B,C,D,E,G,H,I,J,K, L,M,N,O,P,Q,S,T
	C43	CK73HBB1A104K	C CAPACITOR	0.1uF 10V K	1	A,B,C,D,E,G,H,I,J,K, L,M,N,O,P,Q,S,T
	C44	CK730BU0J106M	C CAPACITOR	10uF 6.3V M	1	A,B,C,D,E,G,H,I,J,K, L,M,N,O,P,Q,S,T
	C52	NCB31CK-105X	C CAPACITOR	1uF 16V K	1	A,B,C,D,E,G,H,I,J,K, L,M,N,O,P,Q,S,T
	C53	NCB31CK-105X	C CAPACITOR	1uF 16V K	1	A,B,C,D,E,G,H,I,J,K, L,M,N,O,P,Q,S,T
	C54	CK73HBB1A104K	C CAPACITOR	0.1uF 10V K	1	A,B,C,D,E,G,H,I,J,K, L,M,N,O,P,Q,S,T
	C62	NCB31CK-105X	C CAPACITOR	1uF 16V K	1	A,B,C,D,E,G,H,I,J,K, L,M,N,O,P,Q,S,T
	C63	NCB31CK-105X	C CAPACITOR	1uF 16V K	1	A,B,C,D,E,G,H,I,J,K, L,M,N,O,P,Q,S,T
	C64	CK73HBB1A104K	C CAPACITOR	0.1uF 10V K	1	A,B,C,D,E,G,H,I,J,K, L,M,N,O,P,Q,S,T
	C65	CK73HBB1A104K	C CAPACITOR	0.1uF 10V K	1	A,B,C,D,E,G,H,I,J,K, L,M,N,O,P,Q,S,T
	C66	CK73HBB1A104K	C CAPACITOR	0.1uF 10V K	1	A,B,C,D,E,G,H,I,J,K, L,M,N,O,P,Q,S,T
	C67	QETL1AM-477	E CAPACITOR	470uF 10V M	1	A,B,C,D,E,G,H,I,J,K, L,M,N,O,P,Q,S,T
	C112	CK73HBB1H102K	C CAPACITOR	1000pF 50V K	1	A,B,C,D,E,G,H,I,J,K, L,M,N,O,P,Q,S,T
	C113	CK73HBB1H102K	C CAPACITOR	1000pF 50V K	1	A,B,C,D,E,G,H,I,J,K, L,M,N,O,P,Q,S,T
	C122	NCB31CK-105X	C CAPACITOR	1uF 16V K	1	A,B,C,D,E,G,H,I,J,K, L,M,N,O,P,Q,S,T
	C123	NCB31CK-105X	C CAPACITOR	1uF 16V K	1	A,B,C,D,E,G,H,I,J,K, L,M,N,O,P,Q,S,T
	C124	CK730BU0J106M	C CAPACITOR	10uF 6.3V M	1	A,B,C,D,E,G,H,I,J,K, L,M,N,O,P,Q,S,T
	C401	CK73HBB1H102K	C CAPACITOR	1000pF 50V K	1	E,I,J,O,S,T
	C412	CK73HBB1H102K	C CAPACITOR	1000pF 50V K	1	E,I,J,O,S,T
	C413	CK73HBB1H102K	C CAPACITOR	1000pF 50V K	1	E,I,J,O,S,T
	C414	CK73HBB1H102K	C CAPACITOR	1000pF 50V K	1	E,I,J,O,S,T
	C491	CK73GBB1H103K	C CAPACITOR	0.01uF 50V K	1	E,I,J,O,S,T
	R11	RK73HB1J223J	MG RESISTOR	22kΩ 1/16W J	1	A,B,C,D,E,G,H,I,J,K, L,M,N,O,P,Q,S,T
	R12	RK73HB1J473J	MG RESISTOR	47kΩ 1/16W J	1	A,B,C,D,E,G,H,I,J,K, L,M,N,O,P,Q,S,T
	R13	RK73HB1J223J	MG RESISTOR	22kΩ 1/16W J	1	A,B,C,D,E,G,H,I,J,K, L,M,N,O,P,Q,S,T

MODEL	MARK	MODEL	MARK	MODEL	MARK	MODEL	MARK
KW-V100J	A	KW-V10A	B	KW-V10E	C	KW-V10EE	D
KW-V10EU	E	KW-V10HUN	F	KW-V10J	G	KW-V10JW	H
KW-V10U	I	KW-V10UI	J	KW-V200BTJ	K	KW-V20BTA	L
KW-V20BTE	M	KW-V20BTEE	N	KW-V20BTEU	O	KW-V20BTJ	P
KW-V20BTJW	Q	KW-V20BTTUN	R	KW-V20BTU	S	KW-V20BTUI	T

Safe	Symbol No.	Parts No.	Parts Name	Description	QTY	Local
	R14	RK73HB1J471J	MG RESISTOR	470Ω 1/16W J	1	L,M,N,O,P,Q,S,T A,B,C,D,E,G,H,I,J,K, L,M,N,O,P,Q,S,T
	R15	RK73HB1J473J	MG RESISTOR	47kΩ 1/16W J	1	A,B,C,D,E,G,H,I,J,K, L,M,N,O,P,Q,S,T
	R16	RK73HB1J473J	MG RESISTOR	47kΩ 1/16W J	1	A,B,C,D,E,G,H,I,J,K, L,M,N,O,P,Q,S,T
	R21	RK73GB2A272J	MG RESISTOR	2.7kΩ 1/10W J	1	A,B,C,D,E,G,H,I,J,K, L,M,N,O,P,Q,S,T
	R22	RK73HB1J102J	MG RESISTOR	1kΩ 1/16W J	1	A,B,C,D,E,G,H,I,J,K, L,M,N,O,P,Q,S,T
	R31	RK73HH1J750D	MG RESISTOR	75Ω 1/16W D	1	A,B,C,D,E,G,H,I,J,K, L,M,N,O,P,Q,S,T
	R32	RK73GB2A100J	MG RESISTOR	10Ω 1/10W J	1	A,B,C,D,E,G,H,I,J,K, L,M,N,O,P,Q,S,T
	R36	RK73HB1J000J	MG RESISTOR	0Ω 1/16W J	1	A,B,C,D,E,G,H,I,J,K, L,M,N,O,P,Q,S,T
	R52	RK73HB1J105J	MG RESISTOR	1MΩ 1/16W J	1	A,B,C,D,E,G,H,I,J,K, L,M,N,O,P,Q,S,T
	R61	RK73GH2A750D	MG RESISTOR	75Ω 1/10W D	1	A,B,C,D,E,G,H,I,J,K, L,M,N,O,P,Q,S,T
	R62	RK73HB1J105J	MG RESISTOR	1MΩ 1/16W J	1	A,B,C,D,E,G,H,I,J,K, L,M,N,O,P,Q,S,T
	R112	RK73GB2A100J	MG RESISTOR	10Ω 1/10W J	1	A,B,C,D,E,G,H,I,J,K, L,M,N,O,P,Q,S,T
	R113	RK73GB2A100J	MG RESISTOR	10Ω 1/10W J	1	A,B,C,D,E,G,H,I,J,K, L,M,N,O,P,Q,S,T
	R114	RK73GB2A4R7J	MG RESISTOR	4.7Ω 1/10W J	1	A,B,C,D,E,G,H,I,J,K, L,M,N,O,P,Q,S,T
	R115	RK73HB1J223J	MG RESISTOR	22kΩ 1/16W J	1	A,B,C,D,E,G,H,I,J,K, L,M,N,O,P,Q,S,T
	R116	RK73HB1J223J	MG RESISTOR	22kΩ 1/16W J	1	A,B,C,D,E,G,H,I,J,K, L,M,N,O,P,Q,S,T
	R117	RK73HB1J000J	MG RESISTOR	0Ω 1/16W J	1	A,B,C,D,E,G,H,I,J,K, L,M,N,O,P,Q,S,T
	R120	RK73HB1J000J	MG RESISTOR	0Ω 1/16W J	1	A,B,C,D,E,G,H,I,J,K, L,M,N,O,P,Q,S,T
	R121	RK73HB1J000J	MG RESISTOR	0Ω 1/16W J	1	A,B,C,D,E,G,H,I,J,K, L,M,N,O,P,Q,S,T
	R201	RK73GB2A100J	MG RESISTOR	10Ω 1/10W J	1	A,B,C,D,E,G,H,I,J,K, L,M,N,O,P,Q,S,T
	R202	RK73GB2A100J	MG RESISTOR	10Ω 1/10W J	1	A,B,C,D,E,G,H,I,J,K, L,M,N,O,P,Q,S,T
	R203	RK73GB2A620J	MG RESISTOR	62Ω 1/10W J	1	A,B,C,D,E,G,H,I,J,K, L,M,N,O,P,Q,S,T
	R204	RK73HB1J4R7J	MG RESISTOR	4.7Ω 1/16W J	1	A,B,C,D,E,G,H,I,J,K, L,M,N,O,P,Q,S,T
	R301	RK73GB2A101J	MG RESISTOR	100Ω 1/10W J	1	K,L,M,N,O,P,Q,S,T
	R302	RK73GB2A101J	MG RESISTOR	100Ω 1/10W J	1	K,L,M,N,O,P,Q,S,T
	R401	RK73GB2A101J	MG RESISTOR	100Ω 1/10W J	1	E,I,J,O,S,T
	R412	RK73GB2A100J	MG RESISTOR	10Ω 1/10W J	1	E,I,J,O,S,T
	R413	RK73GB2A100J	MG RESISTOR	10Ω 1/10W J	1	E,I,J,O,S,T
	R414	RK73GB2A4R7J	MG RESISTOR	4.7Ω 1/10W J	1	E,I,J,O,S,T
	R421	RK73HH1J750D	MG RESISTOR	75Ω 1/16W D	1	E,I,J,O,S,T
	R422	RK73HH1J750D	MG RESISTOR	75Ω 1/16W D	1	E,I,J,O,S,T
	R423	RK73HH1J750D	MG RESISTOR	75Ω 1/16W D	1	E,I,J,O,S,T
	R425	RK73GB2A101J	MG RESISTOR	100Ω 1/10W J	1	E,I,J,O,S,T
	R426	RK73GB2A101J	MG RESISTOR	100Ω 1/10W J	1	E,I,J,O,S,T
	R427	RK73GB2A101J	MG RESISTOR	100Ω 1/10W J	1	E,I,J,O,S,T
	R428	RK73GB2A100J	MG RESISTOR	10Ω 1/10W J	1	E,I,J,O,S,T
	R491	RK73GB2A101J	MG RESISTOR	100Ω 1/10W J	1	E,I,J,O,S,T
	R492	RK73GB2A101J	MG RESISTOR	100Ω 1/10W J	1	E,I,J,O,S,T
	R493	RK73HB1J272J	MG RESISTOR	2.7kΩ 1/16W J	1	E,I,J,O,S,T
	R901	RK73GB2A000J	MG RESISTOR	0Ω 1/10W J	1	A,B,C,D,E,G,H,I,J,K, L,M,N,O,P,Q,S,T
	R902	RK73HB1J100J	MG RESISTOR	10Ω 1/16W J	1	A,B,C,D,E,G,H,I,J,K, L,M,N,O,P,Q,S,T
	L41	NQL79GM-4R7X	COIL	4.7uH M	1	A,B,C,D,E,G,H,I,J,K, L,M,N,O,P,Q,S,T
	CN1	QGF0534F7-20X	CONNECTOR	FFC/FPC (1-20)	1	A,B,C,D,E,G,H,I,J,K, L,M,N,O,P,Q,S,T
	CN2	QGF0534F7-20X	CONNECTOR	FFC/FPC (1-20)	1	A,B,C,D,E,G,H,I,J,K, L,M,N,O,P,Q,S,T
	CN3	QGA2501C1-03	CONNECTOR	W-B (1-3)	1	A,B,C,D,E,G,H,I,J,K, L,M,N,O,P,Q,S,T
	CN301	QGA2001C1-02	CONNECTOR	W-B (1-2)	1	K,L,M,N,O,P,Q,S,T
	J31	QNN0011-002	PIN JACK		1	A,B,C,D,E,G,H,I,J,K, L,M,N,O,P,Q,S,T
	J101	QNS0291-001	3.5 JACK		1	A,B,C,D,E,G,H,I,J,K, L,M,N,O,P,Q,S,T
	J301	QNS0307-001	3.5 JACK		1	K,L,M,N,O,P,Q,S,T
	J401	QND0160-001	DIN CONNECTOR		1	E,I,J,O,S,T
	VA11	NAF0044-270X	VARIATOR(ZNR)		1	A,B,C,D,E,G,H,I,J,K, L,M,N,O,P,Q,S,T
	VA21	NAF0045-180X	VARIATOR(ZNR)		1	A,B,C,D,E,G,H,I,J,K, L,M,N,O,P,Q,S,T
	VA31	NAF0044-270X	VARIATOR(ZNR)		1	A,B,C,D,E,G,H,I,J,K, L,M,N,O,P,Q,S,T
	VA61	NAF0044-270X	VARIATOR(ZNR)		1	A,B,C,D,E,G,H,I,J,K, L,M,N,O,P,Q,S,T

MODEL	MARK	MODEL	MARK	MODEL	MARK	MODEL	MARK
KW-V100J	A	KW-V10A	B	KW-V10E	C	KW-V10EE	D
KW-V10EU	E	KW-V10HUN	F	KW-V10J	G	KW-V10JW	H
KW-V10U	I	KW-V10UI	J	KW-V200BTJ	K	KW-V20BTA	L
KW-V20BTE	M	KW-V20BTEE	N	KW-V20BTEU	O	KW-V20BTJ	P
KW-V20BTJW	Q	KW-V20BTTUN	R	KW-V20BTU	S	KW-V20BTUI	T

Safe	Symbol No.	Parts No.	Parts Name	Description	QTY	Local
	VA101	NAF0044-270X	VARISTOR(ZNR)		1	A,B,C,D,E,G,H,I,J,K, L,M,N,O,P,Q,S,T
	VA112	NAF0045-180X	VARISTOR(ZNR)		1	A,B,C,D,E,G,H,I,J,K, L,M,N,O,P,Q,S,T
	VA113	NAF0045-180X	VARISTOR(ZNR)		1	A,B,C,D,E,G,H,I,J,K, L,M,N,O,P,Q,S,T
	VA201	NAF0044-270X	VARISTOR(ZNR)		1	A,B,C,D,E,G,H,I,J,K, L,M,N,O,P,Q,S,T
	VA202	NAF0044-270X	VARISTOR(ZNR)		1	A,B,C,D,E,G,H,I,J,K, L,M,N,O,P,Q,S,T
	VA301	NAF0045-180X	VARISTOR(ZNR)		1	K,L,M,N,O,P,Q,S,T
	VA302	NAF0045-180X	VARISTOR(ZNR)		1	K,L,M,N,O,P,Q,S,T
	VA401	NAF0045-180X	VARISTOR(ZNR)		1	E,I,J,O,S,T
	VA412	NAF0045-180X	VARISTOR(ZNR)		1	E,I,J,O,S,T
	VA413	NAF0045-180X	VARISTOR(ZNR)		1	E,I,J,O,S,T
	VA414	NAF0045-180X	VARISTOR(ZNR)		1	E,I,J,O,S,T
	VA421	NAF0044-270X	VARISTOR(ZNR)		1	E,I,J,O,S,T
	VA422	NAF0044-270X	VARISTOR(ZNR)		1	E,I,J,O,S,T
	VA423	NAF0044-270X	VARISTOR(ZNR)		1	E,I,J,O,S,T
	VA424	NAF0044-270X	VARISTOR(ZNR)		1	E,I,J,O,S,T
	VA491	NAF0045-180X	VARISTOR(ZNR)		1	E,I,J,O,S,T
	VA492	NAF0045-180X	VARISTOR(ZNR)		1	E,I,J,O,S,T

SUB PWB ASSY (LVA11269-xxA)(KW-V10HUN, KW-V20BTTUN) <07>

IC41	BH7673G-W	IC			1	F,R
IC51	NJM2535V-X	IC			1	F,R
IC61	NJM2535V-X	IC			1	F,R
IC62	NJM2561F1	BIPOLAR IC			1	F,R
IC491	TC7SET08FU-J-X	IC(DIGITAL)			1	F,R
Q11	LSCR523EBFS8	TRANSISTOR			1	F,R
Q12	LTA014YEB-X	DIGI TRANSISTOR			1	F,R
Q13	LSCR523EBFS8	TRANSISTOR			1	F,R
Q21	LTC024EEB-X	DIGI TRANSISTOR			1	F,R
D11	DA2J101	DIODE			1	F,R
D21	DA2J101	DIODE			1	F,R
C11	NCB30JK-225X	C CAPACITOR	2.2uF 6.3V K		1	F,R
C21	CK73HBB1E103K	C CAPACITOR	0.01uF 25V K		1	F,R
C41	NCB31CK-105X	C CAPACITOR	1uF 16V K		1	F,R
C42	NCB31CK-105X	C CAPACITOR	1uF 16V K		1	F,R
C43	CK73HBB1A104K	C CAPACITOR	0.1uF 10V K		1	F,R
C44	CK730BU0J106M	C CAPACITOR	10uF 6.3V M		1	F,R
C52	NCB31CK-105X	C CAPACITOR	1uF 16V K		1	F,R
C53	NCB31CK-105X	C CAPACITOR	1uF 16V K		1	F,R
C54	CK73HBB1A104K	C CAPACITOR	0.1uF 10V K		1	F,R
C62	NCB31CK-105X	C CAPACITOR	1uF 16V K		1	F,R
C63	NCB31CK-105X	C CAPACITOR	1uF 16V K		1	F,R
C64	CK73HBB1A104K	C CAPACITOR	0.1uF 10V K		1	F,R
C65	CK73HBB1A104K	C CAPACITOR	0.1uF 10V K		1	F,R
C66	CK73HBB1A104K	C CAPACITOR	0.1uF 10V K		1	F,R
C67	QETL1AM-477	E CAPACITOR	470uF 10V M		1	F,R
C112	CK73HBB1H102K	C CAPACITOR	1000pF 50V K		1	F,R
C113	CK73HBB1H102K	C CAPACITOR	1000pF 50V K		1	F,R
C122	NCB31CK-105X	C CAPACITOR	1uF 16V K		1	F,R
C123	NCB31CK-105X	C CAPACITOR	1uF 16V K		1	F,R
C124	CK730BU0J106M	C CAPACITOR	10uF 6.3V M		1	F,R
C401	CK73HBB1H102K	C CAPACITOR	1000pF 50V K		1	F,R
C412	CK73HBB1H102K	C CAPACITOR	1000pF 50V K		1	F,R
C413	CK73HBB1H102K	C CAPACITOR	1000pF 50V K		1	F,R
C414	CK73HBB1H102K	C CAPACITOR	1000pF 50V K		1	F,R
C491	CK73GBB1H103K	C CAPACITOR	0.01uF 50V K		1	F,R
R11	RK73HB1J223J	MG RESISTOR	22kΩ 1/16W J		1	F,R
R12	RK73HB1J473J	MG RESISTOR	47kΩ 1/16W J		1	F,R
R13	RK73HB1J223J	MG RESISTOR	22kΩ 1/16W J		1	F,R
R14	RK73HB1J471J	MG RESISTOR	470Ω 1/16W J		1	F,R
R15	RK73HB1J473J	MG RESISTOR	47kΩ 1/16W J		1	F,R
R16	RK73HB1J473J	MG RESISTOR	47kΩ 1/16W J		1	F,R
R21	RK73GB2A272J	MG RESISTOR	2.7kΩ 1/10W J		1	F,R
R22	RK73HB1J102J	MG RESISTOR	1kΩ 1/16W J		1	F,R
R31	RK73HH1J750D	MG RESISTOR	75Ω 1/16W D		1	F,R
R32	RK73GB2A100J	MG RESISTOR	10Ω 1/10W J		1	F,R
R36	RK73HB1J000J	MG RESISTOR	0Ω 1/16W J		1	F,R
R52	RK73HB1J105J	MG RESISTOR	1MΩ 1/16W J		1	F,R
R61	RK73GH2A750D	MG RESISTOR	75Ω 1/10W D		1	F,R
R62	RK73HB1J105J	MG RESISTOR	1MΩ 1/16W J		1	F,R
R112	RK73GB2A100J	MG RESISTOR	10Ω 1/10W J		1	F,R
R113	RK73GB2A100J	MG RESISTOR	10Ω 1/10W J		1	F,R
R114	RK73GB2A4R7J	MG RESISTOR	4.7Ω 1/10W J		1	F,R
R115	RK73HB1J223J	MG RESISTOR	22kΩ 1/16W J		1	F,R
R116	RK73HB1J223J	MG RESISTOR	22kΩ 1/16W J		1	F,R
R117	RK73HB1J000J	MG RESISTOR	0Ω 1/16W J		1	F,R
R120	RK73HB1J000J	MG RESISTOR	0Ω 1/16W J		1	F,R
R121	RK73HB1J000J	MG RESISTOR	0Ω 1/16W J		1	F,R
R201	RK73GB2A100J	MG RESISTOR	10Ω 1/10W J		1	F,R
R202	RK73GB2A100J	MG RESISTOR	10Ω 1/10W J		1	F,R
R203	RK73GB2A620J	MG RESISTOR	62Ω 1/10W J		1	F,R
R204	RK73HB1J4R7J	MG RESISTOR	4.7Ω 1/16W J		1	F,R
R301	RK73GB2A101J	MG RESISTOR	100Ω 1/10W J		1	R
R302	RK73GB2A101J	MG RESISTOR	100Ω 1/10W J		1	R

MODEL	MARK	MODEL	MARK	MODEL	MARK	MODEL	MARK
KW-V100J	A	KW-V10A	B	KW-V10E	C	KW-V10EE	D
KW-V10EU	E	KW-V10HUN	F	KW-V10J	G	KW-V10JW	H
KW-V10U	I	KW-V10UI	J	KW-V200BTJ	K	KW-V20BTA	L
KW-V20BTE	M	KW-V20BTEE	N	KW-V20BTEU	O	KW-V20BTJ	P
KW-V20BTJW	Q	KW-V20BTTUN	R	KW-V20BTU	S	KW-V20BTUI	T

Safe	Symbol No.	Parts No.	Parts Name	Description	QTY	Local	
	R401	RK73GB2A101J	MG RESISTOR	100Ω 1/10W J	1	F,R	
	R412	RK73GB2A100J	MG RESISTOR	10Ω 1/10W J	1	F,R	
	R413	RK73GB2A100J	MG RESISTOR	10Ω 1/10W J	1	F,R	
	R414	RK73GB2A4R7J	MG RESISTOR	4.7Ω 1/10W J	1	F,R	
	R421	RK73HH1J750D	MG RESISTOR	75Ω 1/16W D	1	F,R	
	R422	RK73HH1J750D	MG RESISTOR	75Ω 1/16W D	1	F,R	
	R423	RK73HH1J750D	MG RESISTOR	75Ω 1/16W D	1	F,R	
	R425	RK73GB2A101J	MG RESISTOR	100Ω 1/10W J	1	F,R	
	R426	RK73GB2A101J	MG RESISTOR	100Ω 1/10W J	1	F,R	
	R427	RK73GB2A101J	MG RESISTOR	100Ω 1/10W J	1	F,R	
	R428	RK73GB2A100J	MG RESISTOR	10Ω 1/10W J	1	F,R	
	R491	RK73GB2A101J	MG RESISTOR	100Ω 1/10W J	1	F,R	
	R492	RK73GB2A101J	MG RESISTOR	100Ω 1/10W J	1	F,R	
	R493	RK73HB1J272J	MG RESISTOR	2.7kΩ 1/16W J	1	F,R	
	R901	RK73GB2A000J	MG RESISTOR	0Ω 1/10W J	1	F,R	
	R902	RK73HB1J100J	MG RESISTOR	10Ω 1/16W J	1	F,R	
	L41	LR73Z0AD4R7M	COIL	4.7uH	1	F,R	
	CN1	QGF0534F7-20X	CONNECTOR	FFC/FPC (1-20)	1	F,R	
	CN2	QGF0534F7-20X	CONNECTOR	FFC/FPC (1-20)	1	F,R	
	CN3	QGA2501C1-03	CONNECTOR	W-B (1-3)	1	F,R	
	CN301	QGA2001C1-02	CONNECTOR	W-B (1-2)	1	R	
	J31	QNN0011-002	PIN JACK		1	F,R	
	J101	QNS0291-001	3.5 JACK		1	F,R	
	J301	QNS0307-001	3.5 JACK		1	R	
	J401	QND0160-001	DIN CONNECTOR		1	F,R	
	VA11	NAF0044-270X	VARIATOR(ZNR)		1	F,R	
	VA21	NAF0045-180X	VARIATOR(ZNR)		1	F,R	
	VA31	NAF0044-270X	VARIATOR(ZNR)		1	F,R	
	VA61	NAF0044-270X	VARIATOR(ZNR)		1	F,R	
	VA101	NAF0044-270X	VARIATOR(ZNR)		1	F,R	
	VA112	NAF0045-180X	VARIATOR(ZNR)		1	F,R	
	VA113	NAF0045-180X	VARIATOR(ZNR)		1	F,R	
	VA201	NAF0044-270X	VARIATOR(ZNR)		1	F,R	
	VA202	NAF0044-270X	VARIATOR(ZNR)		1	F,R	
	VA301	NAF0045-180X	VARIATOR(ZNR)		1	R	
	VA302	NAF0045-180X	VARIATOR(ZNR)		1	R	
	VA401	NAF0045-180X	VARIATOR(ZNR)		1	F,R	
	VA412	NAF0045-180X	VARIATOR(ZNR)		1	F,R	
	VA413	NAF0045-180X	VARIATOR(ZNR)		1	F,R	
	VA414	NAF0045-180X	VARIATOR(ZNR)		1	F,R	
	VA421	NAF0044-270X	VARIATOR(ZNR)		1	F,R	
	VA422	NAF0044-270X	VARIATOR(ZNR)		1	F,R	
	VA423	NAF0044-270X	VARIATOR(ZNR)		1	F,R	
	VA424	NAF0044-270X	VARIATOR(ZNR)		1	F,R	
	VA491	NAF0045-180X	VARIATOR(ZNR)		1	F,R	
	VA492	NAF0045-180X	VARIATOR(ZNR)		1	F,R	
	PANEL-A PWB ASSY (LVA11279-xxA) <03>						
	IC401	MN103SH23	IC(MCU)		1		
	IC404	TC7SZ17FE-X	IC(DIGITAL)		1		
	IC405	XC6213B122NG-X	IC		1	A,B,C,D,E,G,H,I,J,K, L,M,N,O,P,Q,S,T	
	IC405	XC6213B122N-G	MOS IC		1	F,R	
	IC431	A3V28S40FTP-G6	IC		1		
	IC441	JVM684B	PROGRAMED IC	IC441 IC451 will need to be replaced in pairs.	1		
	IC451	JVM685B	PROGRAMED IC	IC441 IC451 will need to be replaced in pairs.	1		
	IC501	NJM2831F92-X	IC		1		
	IC511	NJM2904V-X	IC		1		
	Q4601	LSAR523UB-X	TRANSISTOR		1	A,B,C,D,E,G,H,I,J,K, L,M,N,O,P,Q,S,T	
	Q4601	LSAR523UBFS8	TRANSISTOR		1	F,R	
	Q4611	LSAR523UB-X	TRANSISTOR		1	A,B,C,D,E,G,H,I,J,K, L,M,N,O,P,Q,S,T	
	Q4611	LSAR523UBFS8	TRANSISTOR		1	F,R	
	Q4621	LSAR523UB-X	TRANSISTOR		1	A,B,C,D,E,G,H,I,J,K, L,M,N,O,P,Q,S,T	
	Q4621	LSAR523UBFS8	TRANSISTOR		1	F,R	
	Q4631	LSAR523UB-X	TRANSISTOR		1	A,B,C,D,E,G,H,I,J,K, L,M,N,O,P,Q,S,T	
	Q4631	LSAR523UBFS8	TRANSISTOR		1	F,R	
	Q5201	LTC014EEB-X	DIGI TRANSISTOR		1	A,B,C,D,E,G,H,I,J,K, L,M,N,O,P,Q,S,T	
	Q5201	LTC014EEBFS8	DIGI TRANSISTOR		1	F,R	
	Q5202	LSCR523UB-X	TRANSISTOR		1	A,B,C,D,E,G,H,I,J,K, L,M,N,O,P,Q,S,T	
	Q5202	LSCR523UBFS8	TRANSISTOR		1	F,R	
	Q5203	LSCR523UB-X	TRANSISTOR		1	A,B,C,D,E,G,H,I,J,K, L,M,N,O,P,Q,S,T	
	Q5203	LSCR523UBFS8	TRANSISTOR		1	F,R	
	Q5301	LSAR523UB-X	TRANSISTOR		1	A,B,C,D,E,G,H,I,J,K, L,M,N,O,P,Q,S,T	
	Q5301	LSAR523UBFS8	TRANSISTOR		1	F,R	
	Q5302	LSAR523UB-X	TRANSISTOR		1	A,B,C,D,E,G,H,I,J,K, L,M,N,O,P,Q,S,T	
	Q5302	LSAR523UBFS8	TRANSISTOR		1	F,R	
	D5201	DA2J101-X	SI DIODE		1	A,B,C,D,E,G,H,I,J,K, L,M,N,O,P,Q,S,T	

MODEL	MARK	MODEL	MARK	MODEL	MARK	MODEL	MARK
KW-V100J	A	KW-V10A	B	KW-V10E	C	KW-V10EE	D
KW-V10EU	E	KW-V10HUN	F	KW-V10J	G	KW-V10JW	H
KW-V10U	I	KW-V10UI	J	KW-V200BTJ	K	KW-V20BTA	L
KW-V20BTE	M	KW-V20BTEE	N	KW-V20BTEU	O	KW-V20BTJ	P
KW-V20BTJW	Q	KW-V20BTTUN	R	KW-V20BTU	S	KW-V20BTUI	T

Safe	Symbol No.	Parts No.	Parts Name	Description	QTY	Local
	D5201	DA2J101	DIODE		1	F,R
	D5202	DZ2J180M/-X	Z DIODE		1	A,B,C,D,E,G,H,I,J,K, L,M,N,O,P,Q,S,T
	D5202	DZ2J180M	Z DIODE		1	F,R
	C4001	CC73HCH1H060D	C CAPACITOR	6pF 50V D	1	
	C4002	CC73HCH1H060D	C CAPACITOR	6pF 50V D	1	
	C4010	CK73HBB1A104K	C CAPACITOR	0.1uF 10V K	1	
	C4013	CK73HBB1A104K	C CAPACITOR	0.1uF 10V K	1	
	C4019	CK73HBB1A104K	C CAPACITOR	0.1uF 10V K	1	
	C4020	CK730AU0J105K	C CAPACITOR	1uF 6.3V K	1	
	C4028	CK73HBB1A104K	C CAPACITOR	0.1uF 10V K	1	
	C4038	CK73HBB1A104K	C CAPACITOR	0.1uF 10V K	1	
	C4039	CK730AU0J105K	C CAPACITOR	1uF 6.3V K	1	
	C4049	CK73HBB1A104K	C CAPACITOR	0.1uF 10V K	1	
	C4051	CK73HBB1A104K	C CAPACITOR	0.1uF 10V K	1	
	C4055	CK73HBB1A104K	C CAPACITOR	0.1uF 10V K	1	
	C4056	NCB20JK-106X	C CAPACITOR	10uF 6.3V K	1	
	C4057	NCB20JK-106X	C CAPACITOR	10uF 6.3V K	1	
	C4066	CK73HBB1A104K	C CAPACITOR	0.1uF 10V K	1	
	C4067	CK730AU0J105K	C CAPACITOR	1uF 6.3V K	1	
	C4069	CK73HBB1A104K	C CAPACITOR	0.1uF 10V K	1	
	C4074	CK73HBB1A104K	C CAPACITOR	0.1uF 10V K	1	
	C4075	CK730AU0J105K	C CAPACITOR	1uF 6.3V K	1	
	C4085	CK73HBB1A104K	C CAPACITOR	0.1uF 10V K	1	
	C4094	CK73HBB1C103K	C CAPACITOR	0.01uF 16V K	1	
	C4095	CK73HBB1A104K	C CAPACITOR	0.1uF 10V K	1	
	C4097	CK73HBB1A104K	C CAPACITOR	0.1uF 10V K	1	
	C4103	CK73HBB1A104K	C CAPACITOR	0.1uF 10V K	1	
	C4106	CK73HBB1A104K	C CAPACITOR	0.1uF 10V K	1	
	C4107	CK73HBB1A104K	C CAPACITOR	0.1uF 10V K	1	
	C4120	CK73HBB1A104K	C CAPACITOR	0.1uF 10V K	1	
	C4121	CK73HBB1A104K	C CAPACITOR	0.1uF 10V K	1	
	C4122	CK73HBB1A104K	C CAPACITOR	0.1uF 10V K	1	
	C4129	CC73GCH1H151J	C CAPACITOR	150pF 50V J	1	
	C4135	CK73HBB1A104K	C CAPACITOR	0.1uF 10V K	1	
	C4145	CK73HBB1A104K	C CAPACITOR	0.1uF 10V K	1	
	C4154	CK73HBB1H102K	C CAPACITOR	1000pF 50V K	1	
	C4155	CK73HBB1H102K	C CAPACITOR	1000pF 50V K	1	
	C4157	CK73HBB1A104K	C CAPACITOR	0.1uF 10V K	1	
	C4160	CC73HCH1H330J	C CAPACITOR	33pF 50V J	1	
	C4163	CK73HBB1A104K	C CAPACITOR	0.1uF 10V K	1	
	C4164	CK73HBB1A104K	C CAPACITOR	0.1uF 10V K	1	
	C4165	CK73HBB1A104K	C CAPACITOR	0.1uF 10V K	1	
	C4166	CK73HBB1A104K	C CAPACITOR	0.1uF 10V K	1	
	C4168	CK730BW0J226M	C CAPACITOR	22uF 6.3V M	1	
	C4169	CK73HBB1A104K	C CAPACITOR	0.1uF 10V K	1	
	C4171	CK73HBB1A104K	C CAPACITOR	0.1uF 10V K	1	
	C4172	CK73HBB1A104K	C CAPACITOR	0.1uF 10V K	1	
	C4173	CK73HBB1A104K	C CAPACITOR	0.1uF 10V K	1	
	C4176	CK73HBB1A104K	C CAPACITOR	0.1uF 10V K	1	
	C4177	CK73HBB1A104K	C CAPACITOR	0.1uF 10V K	1	
	C4178	CK73HBB1A104K	C CAPACITOR	0.1uF 10V K	1	
	C4182	CK73HBB1A104K	C CAPACITOR	0.1uF 10V K	1	
	C4183	CK730AU0J105K	C CAPACITOR	1uF 6.3V K	1	
	C4190	CK73HBB1A104K	C CAPACITOR	0.1uF 10V K	1	
	C4196	CK73HBB1A104K	C CAPACITOR	0.1uF 10V K	1	
	C4201	CK73HBB1A104K	C CAPACITOR	0.1uF 10V K	1	
	C4210	CK73HBB1A104K	C CAPACITOR	0.1uF 10V K	1	
	C4217	NCB20JK-475X	C CAPACITOR	4.7uF 6.3V K	1	
	C4218	CK73HBB1A104K	C CAPACITOR	0.1uF 10V K	1	
	C4301	CK73HBB1A104K	C CAPACITOR	0.1uF 10V K	1	
	C4303	CK73HBB1A104K	C CAPACITOR	0.1uF 10V K	1	
	C4309	CK73HBB1A104K	C CAPACITOR	0.1uF 10V K	1	
	C4314	CK73HBB1A104K	C CAPACITOR	0.1uF 10V K	1	
	C4327	NCB20JK-106X	C CAPACITOR	10uF 6.3V K	1	
	C4343	CK73HBB1A104K	C CAPACITOR	0.1uF 10V K	1	
	C4349	CK73HBB1A104K	C CAPACITOR	0.1uF 10V K	1	
	C4354	NCB20JK-106X	C CAPACITOR	10uF 6.3V K	1	
	C4408	CK73HBB1A104K	C CAPACITOR	0.1uF 10V K	1	
	C4409	NCB20JK-106X	C CAPACITOR	10uF 6.3V K	1	
	C4508	CK73HBB1A104K	C CAPACITOR	0.1uF 10V K	1	
	C4601	CK73HBB1A104K	C CAPACITOR	0.1uF 10V K	1	
	C4602	CC73HCH1H680J	C CAPACITOR	68pF 50V J	1	
	C4604	CC73HCH1H180J	C CAPACITOR	18pF 50V J	1	
	C4605	NCB20JK-106X	C CAPACITOR	10uF 6.3V K	1	
	C4614	CC73HCH1H560J	C CAPACITOR	56pF 50V J	1	
	C4615	CK730AU0J105K	C CAPACITOR	1uF 6.3V K	1	
	C4616	CK730AU0J105K	C CAPACITOR	1uF 6.3V K	1	
	C4624	CC73HCH1H560J	C CAPACITOR	56pF 50V J	1	
	C4625	CK730AU0J105K	C CAPACITOR	1uF 6.3V K	1	
	C4626	CK730AU0J105K	C CAPACITOR	1uF 6.3V K	1	
	C4634	CC73HCH1H560J	C CAPACITOR	56pF 50V J	1	
	C4635	CK730AU0J105K	C CAPACITOR	1uF 6.3V K	1	
	C4636	CK730AU0J105K	C CAPACITOR	1uF 6.3V K	1	
	C5001	NCB31HK-104X	C CAPACITOR	0.1uF 50V K	1	
	C5002	CK73HBB1C104K	C CAPACITOR	0.1uF 16V K	1	
	C5003	NCB20JK-106X	C CAPACITOR	10uF 6.3V K	1	
	C5004	CK730BW1C106K	C CAPACITOR	10uF 16V K	1	
	C5005	CK730AU0J105K	C CAPACITOR	1uF 6.3V K	1	

MODEL	MARK	MODEL	MARK	MODEL	MARK	MODEL	MARK
KW-V100J	A	KW-V10A	B	KW-V10E	C	KW-V10EE	D
KW-V10EU	E	KW-V10HUN	F	KW-V10J	G	KW-V10JW	H
KW-V10U	I	KW-V10UI	J	KW-V200BTJ	K	KW-V20BTA	L
KW-V20BTE	M	KW-V20BTEE	N	KW-V20BTEU	O	KW-V20BTJ	P
KW-V20BTJW	Q	KW-V20BTTUN	R	KW-V20BTU	S	KW-V20BTUI	T

Safe	Symbol No.	Parts No.	Parts Name	Description	QTY	Local
	C5010	NCB31CK-105X	C CAPACITOR	1uF 16V K	1	
	C5011	NCB31HK-104X	C CAPACITOR	0.1uF 50V K	1	
	C5103	CK73HBB1C104K	C CAPACITOR	0.1uF 16V K	1	
	C5201	NCB31HK-104X	C CAPACITOR	0.1uF 50V K	1	
	C5202	NCB21EK-105X	C CAPACITOR	1uF 25V K	1	
	C5203	NCB31HK-104X	C CAPACITOR	0.1uF 50V K	1	
	C5301	CK73HBB1C104K	C CAPACITOR	0.1uF 16V K	1	
	C5302	CK73HBB1A104K	C CAPACITOR	0.1uF 10V K	1	
	R4001	RK73HB1J681J	MG RESISTOR	680Ω 1/16W J	1	
	R4002	RK73HB1J105J	MG RESISTOR	1MΩ 1/16W J	1	
	R4030	RK73HB1J680J	MG RESISTOR	68Ω 1/16W J	1	
	R4053	RK73HB1J680J	MG RESISTOR	68Ω 1/16W J	1	
	R4054	RK73HB1J680J	MG RESISTOR	68Ω 1/16W J	1	
	R4058	RK73HB1J103J	MG RESISTOR	10kΩ 1/16W J	1	
	R4060	RK73HB1J101J	MG RESISTOR	100Ω 1/16W J	1	
	R4062	RK73HB1J102J	MG RESISTOR	1kΩ 1/16W J	1	
	R4063	RK73HB1J102J	MG RESISTOR	1kΩ 1/16W J	1	
	R4064	RK73HB1J101J	MG RESISTOR	100Ω 1/16W J	1	
	R4065	RK73HB1J102J	MG RESISTOR	1kΩ 1/16W J	1	
	R4066	RK73HB1J101J	MG RESISTOR	100Ω 1/16W J	1	
	R4067	RK73HB1J101J	MG RESISTOR	100Ω 1/16W J	1	
	R4069	RK73HB1J101J	MG RESISTOR	100Ω 1/16W J	1	
	R4070	RK73HB1J101J	MG RESISTOR	100Ω 1/16W J	1	
	R4077	RK73HB1J101J	MG RESISTOR	100Ω 1/16W J	1	
	R4078	RK73HB1J680J	MG RESISTOR	68Ω 1/16W J	1	
	R4079	RK73HB1J680J	MG RESISTOR	68Ω 1/16W J	1	
	R4083	RK73HB1J680J	MG RESISTOR	68Ω 1/16W J	1	
	R4087	RK73HB1J680J	MG RESISTOR	68Ω 1/16W J	1	
	R4091	RK73HB1J680J	MG RESISTOR	68Ω 1/16W J	1	
	R4127	RK73HB1J101J	MG RESISTOR	100Ω 1/16W J	1	
	R4128	RK73HB1J101J	MG RESISTOR	100Ω 1/16W J	1	
	R4129	RK73HB1J470J	MG RESISTOR	47Ω 1/16W J	1	
	R4130	RK73HB1J102J	MG RESISTOR	1kΩ 1/16W J	1	
	R4131	RK73HB1J101J	MG RESISTOR	100Ω 1/16W J	1	
	R4132	RK73HB1J220J	MG RESISTOR	22Ω 1/16W J	1	
	R4133	RK73HB1J470J	MG RESISTOR	47Ω 1/16W J	1	
	R4136	RK73HB1J470J	MG RESISTOR	47Ω 1/16W J	1	
	R4137	RK73HB1J101J	MG RESISTOR	100Ω 1/16W J	1	
	R4138	RK73HB1J330J	MG RESISTOR	33Ω 1/16W J	1	
	R4146	RK73HB1J102J	MG RESISTOR	1kΩ 1/16W J	1	
	R4157	RK73HB1J000J	MG RESISTOR	0Ω 1/16W J	1	
	R4161	RK73HB1J101J	MG RESISTOR	100Ω 1/16W J	1	
	R4164	RK73HH1J103D	MG RESISTOR	10kΩ 1/16W D	1	
	R4166	RK73HB1J2R2J	MG RESISTOR	2.2Ω 1/16W J	1	
	R4167	RK73HB1J000J	MG RESISTOR	0Ω 1/16W J	1	
	R4402	RK73HB1J680J	MG RESISTOR	68Ω 1/16W J	1	
	R4501	RK73HB1J000J	MG RESISTOR	0Ω 1/16W J	1	
	R4502	RK73HB1J680J	MG RESISTOR	68Ω 1/16W J	1	
	R4503	RK73HB1J000J	MG RESISTOR	0Ω 1/16W J	1	
	R4516	RK73HB1J000J	MG RESISTOR	0Ω 1/16W J	1	
	R4517	RK73HB1J000J	MG RESISTOR	0Ω 1/16W J	1	
	R4601	RK73HB1J391J	MG RESISTOR	390Ω 1/16W J	1	
	R4606	RK73HB1J152J	MG RESISTOR	1.5kΩ 1/16W J	1	
	R4608	RK73HB1J471J	MG RESISTOR	470Ω 1/16W J	1	
	R4611	RK73HB1J470J	MG RESISTOR	47Ω 1/16W J	1	
	R4613	RK73HB1J103J	MG RESISTOR	10kΩ 1/16W J	1	
	R4614	RK73HB1J103J	MG RESISTOR	10kΩ 1/16W J	1	
	R4615	RK73HB1J151J	MG RESISTOR	150Ω 1/16W J	1	
	R4618	RK73HB1J471J	MG RESISTOR	470Ω 1/16W J	1	
	R4621	RK73HB1J470J	MG RESISTOR	47Ω 1/16W J	1	
	R4623	RK73HB1J103J	MG RESISTOR	10kΩ 1/16W J	1	
	R4624	RK73HB1J103J	MG RESISTOR	10kΩ 1/16W J	1	
	R4625	RK73HB1J151J	MG RESISTOR	150Ω 1/16W J	1	
	R4628	RK73HB1J471J	MG RESISTOR	470Ω 1/16W J	1	
	R4631	RK73HB1J470J	MG RESISTOR	47Ω 1/16W J	1	
	R4633	RK73HB1J103J	MG RESISTOR	10kΩ 1/16W J	1	
	R4634	RK73HB1J103J	MG RESISTOR	10kΩ 1/16W J	1	
	R4635	RK73HB1J151J	MG RESISTOR	150Ω 1/16W J	1	
	R4638	RK73HB1J471J	MG RESISTOR	470Ω 1/16W J	1	
	R4640	RK73HB1J4R7J	MG RESISTOR	4.7Ω 1/16W J	1	
	R5001	RK73HH1J101D	MG RESISTOR	100Ω 1/16W D	1	
	R5002	RK73HH1J161D	MG RESISTOR	160Ω 1/16W D	1	
	R5003	RK73HH1J430D	MG RESISTOR	43Ω 1/16W D	1	
	R5004	RK73HH1J360D	MG RESISTOR	36Ω 1/16W D	1	
	R5005	RK73HH1J101D	MG RESISTOR	100Ω 1/16W D	1	
	R5006	RK73HH1J161D	MG RESISTOR	160Ω 1/16W D	1	
	R5007	RK73HH1J101D	MG RESISTOR	100Ω 1/16W D	1	
	R5008	RK73HH1J360D	MG RESISTOR	36Ω 1/16W D	1	
	R5009	RK73HH1J430D	MG RESISTOR	43Ω 1/16W D	1	
	R5010	RK73HH1J161D	MG RESISTOR	160Ω 1/16W D	1	
	R5011	RK73HH1J620D	MG RESISTOR	62Ω 1/16W D	1	
	R5020	RK73HB1J101J	MG RESISTOR	100Ω 1/16W J	1	
	R5106	RK73HH1J822D	MG RESISTOR	8.2kΩ 1/16W D	1	
	R5107	RK73HH1J472D	MG RESISTOR	4.7kΩ 1/16W D	1	
	R5109	RK73HB1J105J	MG RESISTOR	1MΩ 1/16W J	1	
	R5201	RK73HB1J473J	MG RESISTOR	47kΩ 1/16W J	1	
	R5203	RK73HB1J183J	MG RESISTOR	18kΩ 1/16W J	1	
	R5204	RK73HB1J183J	MG RESISTOR	18kΩ 1/16W J	1	

MODEL	MARK	MODEL	MARK	MODEL	MARK	MODEL	MARK
KW-V100J	A	KW-V10A	B	KW-V10E	C	KW-V10EE	D
KW-V10EU	E	KW-V10HUN	F	KW-V10J	G	KW-V10JW	H
KW-V10U	I	KW-V10UI	J	KW-V200BTJ	K	KW-V20BTA	L
KW-V20BTE	M	KW-V20BTEE	N	KW-V20BTEU	O	KW-V20BTJ	P
KW-V20BTJW	Q	KW-V20BTTUN	R	KW-V20BTU	S	KW-V20BTUI	T

Safe	Symbol No.	Parts No.	Parts Name	Description	QTY	Local
	R5205	RK73HB1J471J	MG RESISTOR	470Ω 1/16W J	1	
	R5302	RK73HB1J103J	MG RESISTOR	10kΩ 1/16W J	1	
	R5303	RK73HH1J103D	MG RESISTOR	10kΩ 1/16W D	1	
	R5304	RK73HH1J562D	MG RESISTOR	5.6kΩ 1/16W D	1	
	RA401	RK74HB1J680J	NET RESISTOR	68Ω 1/16W J	1	
	RA402	RK74HB1J680J	NET RESISTOR	68Ω 1/16W J	1	
	RA403	RK74HB1J680J	NET RESISTOR	68Ω 1/16W J	1	
	RA404	RK74HB1J680J	NET RESISTOR	68Ω 1/16W J	1	
	RA405	RK74HB1J680J	NET RESISTOR	68Ω 1/16W J	1	
	RA406	RK74HB1J680J	NET RESISTOR	68Ω 1/16W J	1	
	RA407	RK74HB1J680J	NET RESISTOR	68Ω 1/16W J	1	
	RA408	RK74HB1J680J	NET RESISTOR	68Ω 1/16W J	1	
	RA409	RK74HB1J680J	NET RESISTOR	68Ω 1/16W J	1	
	RA415	RK74HB1J101J	NET RESISTOR	100Ω 1/16W J	1	
	RA416	RK74HB1J101J	NET RESISTOR	100Ω 1/16W J	1	
	RA417	RK74HB1J101J	NET RESISTOR	100Ω 1/16W J	1	
	RA418	RK74HB1J101J	NET RESISTOR	100Ω 1/16W J	1	
	RA419	RK74HB1J101J	NET RESISTOR	100Ω 1/16W J	1	
	RA420	RK74HB1J330J	NET RESISTOR	33Ω 1/16W J	1	
	L4001	NQL79GM-470X	COIL	47uH M	1	A,B,C,D,E,G,H,I,J,K, L,M,N,O,P,Q,S,T
	L4001	LR73Z0AD470M	COIL	47uH	1	F,R
	L4601	NQLD8DJ-470X	COIL	47uH J	1	
	CN401	QGF0534F7-30X	CONNECTOR	FFC/FPC (1-30)	1	
	CN501	QGF0527F1-60X	CONNECTOR	FFC/FPC (1-60)	1	
	X4001	NAX1038-001X	CRYSTAL		1	
<b>PANEL-B PWB ASSY (LVA11271-02A) &lt;04&gt;</b>						
	IC651	RS-471-X	IR DETECT UNIT		1	
	Q6001	LSCR523UB-X	TRANSISTOR		1	A,B,C,D,E,G,H,I,J,K, L,M,N,O,P,Q,S,T
	Q6001	LSCR523UBFS8	TRANSISTOR		1	F,R
	Q6002	LSCR523UB-X	TRANSISTOR		1	A,B,C,D,E,G,H,I,J,K, L,M,N,O,P,Q,S,T
	Q6002	LSCR523UBFS8	TRANSISTOR		1	F,R
	Q6003	LSCR523UB-X	TRANSISTOR		1	A,B,C,D,E,G,H,I,J,K, L,M,N,O,P,Q,S,T
	Q6003	LSCR523UBFS8	TRANSISTOR		1	F,R
	Q6004	LSCR523UB-X	TRANSISTOR		1	A,B,C,D,E,G,H,I,J,K, L,M,N,O,P,Q,S,T
	Q6004	LSCR523UBFS8	TRANSISTOR		1	F,R
	Q6005	2SD1664/QR/-W	TRANSISTOR		1	A,B,C,D,E,G,H,I,J,K, L,M,N,O,P,Q,S,T
	Q6005	2SD1664/QR/	TRANSISTOR		1	F,R
	Q6006	LSCR523UB-X	TRANSISTOR		1	A,B,C,D,E,G,H,I,J,K, L,M,N,O,P,Q,S,T
	Q6006	LSCR523UBFS8	TRANSISTOR		1	F,R
	Q6007	LSCR523UB-X	TRANSISTOR		1	A,B,C,D,E,G,H,I,J,K, L,M,N,O,P,Q,S,T
	Q6007	LSCR523UBFS8	TRANSISTOR		1	F,R
	Q6008	LSCR523UB-X	TRANSISTOR		1	A,B,C,D,E,G,H,I,J,K, L,M,N,O,P,Q,S,T
	Q6008	LSCR523UBFS8	TRANSISTOR		1	F,R
	Q6009	LSCR523UB-X	TRANSISTOR		1	A,B,C,D,E,G,H,I,J,K, L,M,N,O,P,Q,S,T
	Q6009	LSCR523UBFS8	TRANSISTOR		1	F,R
	Q6010	LTA014EEB-X	DIGI TRANSISTOR		1	A,B,C,D,E,G,H,I,J,K, L,M,N,O,P,Q,S,T
	Q6010	LTA014EEBFS8	DIGI TRANSISTOR		1	F,R
	Q6011	LTC014EEB-X	DIGI TRANSISTOR		1	A,B,C,D,E,G,H,I,J,K, L,M,N,O,P,Q,S,T
	Q6011	LTC014EEBFS8	DIGI TRANSISTOR		1	F,R
	Q6041	LSCR523UB-X	TRANSISTOR		1	A,B,C,D,E,G,H,I,J,K, L,M,N,O,P,Q,S,T
	Q6041	LSCR523UBFS8	TRANSISTOR		1	F,R
	Q6042	LSCR523UB-X	TRANSISTOR		1	A,B,C,D,E,G,H,I,J,K, L,M,N,O,P,Q,S,T
	Q6042	LSCR523UBFS8	TRANSISTOR		1	F,R
	Q6043	LSCR523UB-X	TRANSISTOR		1	A,B,C,D,E,G,H,I,J,K, L,M,N,O,P,Q,S,T
	Q6043	LSCR523UBFS8	TRANSISTOR		1	F,R
	Q6044	LSCR523UB-X	TRANSISTOR		1	A,B,C,D,E,G,H,I,J,K, L,M,N,O,P,Q,S,T
	Q6044	LSCR523UBFS8	TRANSISTOR		1	F,R
	Q6045	LSCR523UB-X	TRANSISTOR		1	A,B,C,D,E,G,H,I,J,K, L,M,N,O,P,Q,S,T
	Q6045	LSCR523UBFS8	TRANSISTOR		1	F,R
	Q6046	LSCR523UB-X	TRANSISTOR		1	A,B,C,D,E,G,H,I,J,K, L,M,N,O,P,Q,S,T
	Q6046	LSCR523UBFS8	TRANSISTOR		1	F,R
	Q6047	LSCR523UB-X	TRANSISTOR		1	A,B,C,D,E,G,H,I,J,K, L,M,N,O,P,Q,S,T
	Q6047	LSCR523UBFS8	TRANSISTOR		1	F,R
	Q6048	LSCR523UB-X	TRANSISTOR		1	A,B,C,D,E,G,H,I,J,K, L,M,N,O,P,Q,S,T
	Q6048	LSCR523UBFS8	TRANSISTOR		1	F,R
	Q6048	LSCR523UB-X	TRANSISTOR		1	A,B,C,D,E,G,H,I,J,K, L,M,N,O,P,Q,S,T
	Q6201	LSCR523UB-X	TRANSISTOR		1	F,R
	Q6201	LSCR523UBFS8	TRANSISTOR		1	A,B,C,D,E,G,H,I,J,K, L,M,N,O,P,Q,S,T
	Q6202	LSCR523UB-X	TRANSISTOR		1	F,R
	Q6202	LSCR523UBFS8	TRANSISTOR		1	A,B,C,D,E,G,H,I,J,K, L,M,N,O,P,Q,S,T

MODEL	MARK	MODEL	MARK	MODEL	MARK	MODEL	MARK
KW-V100J	A	KW-V10A	B	KW-V10E	C	KW-V10EE	D
KW-V10EU	E	KW-V10HUN	F	KW-V10J	G	KW-V10JW	H
KW-V10U	I	KW-V10UI	J	KW-V200BTJ	K	KW-V20BTA	L
KW-V20BTE	M	KW-V20BTEE	N	KW-V20BTEU	O	KW-V20BTJ	P
KW-V20BTJW	Q	KW-V20BTTUN	R	KW-V20BTU	S	KW-V20BTUI	T

Safe	Symbol No.	Parts No.	Parts Name	Description	QTY	Local
	Q6202	LSCR523UBFS8	TRANSISTOR		1	L,M,N,O,P,Q,S,T
	Q6203	LSCR523UB-X	TRANSISTOR		1	F,R
	Q6203	LSCR523UBFS8	TRANSISTOR		1	A,B,C,D,E,G,H,I,J,K, L,M,N,O,P,Q,S,T
	D6041	DZ2J180/M/-X	Z DIODE		1	F,R
	D6041	DZ2J180M	Z DIODE		1	A,B,C,D,E,G,H,I,J,K, L,M,N,O,P,Q,S,T
	D6042	DA2J101-X	SI DIODE		1	F,R
	D6042	DA2J101	DIODE		1	A,B,C,D,E,G,H,I,J,K, L,M,N,O,P,Q,S,T
	D6101	DZ2J062/M/-X	Z DIODE		1	F,R
	D6102	DZ2J062M	Z DIODE		1	A,B,C,D,E,G,H,I,J,K, L,M,N,O,P,Q,S,T
	D6102	DZ2J062/M/-X	Z DIODE		1	F,R
	D6103	DZ2J062M	Z DIODE		1	A,B,C,D,E,G,H,I,J,K, L,M,N,O,P,Q,S,T
	D6103	DZ2J062/M/-X	Z DIODE		1	F,R
	D6104	DZ2J062M	Z DIODE		1	A,B,C,D,E,G,H,I,J,K, L,M,N,O,P,Q,S,T
	D6501	LTRBR8SF/Z1Z1X	LED		1	F,R
	D6502	LTRBR8SF/Z1Z1X	LED		1	
	D6503	LTRBR8SF/Z1Z1X	LED		1	
	D6504	LTRBR8SF/Z1Z1X	LED		1	
	C6002	NCB31HK-104X	C CAPACITOR	0.1uF 50V K	1	
	C6003	NCB21EK-105X	C CAPACITOR	1uF 25V K	1	
	C6004	NCB31HK-104X	C CAPACITOR	0.1uF 50V K	1	
	C6015	NCB20JK-106X	C CAPACITOR	10uF 6.3V K	1	
	C6101	CC73GCH1H101J	C CAPACITOR	100pF 50V J	1	
	C6102	CC73GCH1H101J	C CAPACITOR	100pF 50V J	1	
	C6103	CC73GCH1H101J	C CAPACITOR	100pF 50V J	1	
	C6104	CC73GCH1H101J	C CAPACITOR	100pF 50V J	1	
	C6502	CK73GBB0J105K	C CAPACITOR	1uF 6.3V K	1	
	C6504	CK73GBB1H102K	C CAPACITOR	1000pF 50V K	1	
	C6505	CK73GBB1H102K	C CAPACITOR	1000pF 50V K	1	
	C6506	CK73GBB1H102K	C CAPACITOR	1000pF 50V K	1	
	R6001	RK73HH1J241D	MG RESISTOR	240Ω 1/16W D	1	
	R6002	RK73HH1J241D	MG RESISTOR	240Ω 1/16W D	1	
	R6003	RK73HH1J241D	MG RESISTOR	240Ω 1/16W D	1	
	R6004	RK73HH1J241D	MG RESISTOR	240Ω 1/16W D	1	
	R6005	RK73HH1J241D	MG RESISTOR	240Ω 1/16W D	1	
	R6006	RK73HH1J241D	MG RESISTOR	240Ω 1/16W D	1	
	R6007	RK73HH1J241D	MG RESISTOR	240Ω 1/16W D	1	
	R6008	RK73HH1J241D	MG RESISTOR	240Ω 1/16W D	1	
	R6012	RK73HB1J122J	MG RESISTOR	1.2kΩ 1/16W J	1	
	R6013	RK73HB1J121J	MG RESISTOR	120Ω 1/16W J	1	
	R6017	RK73HB1J000J	MG RESISTOR	0Ω 1/16W J	1	
	R6018	RK73HB1J000J	MG RESISTOR	0Ω 1/16W J	1	
	R6019	RK73HB1J000J	MG RESISTOR	0Ω 1/16W J	1	
	R6020	RK73HB1J000J	MG RESISTOR	0Ω 1/16W J	1	
	R6021	RK73PB2H8R2J	MG RESISTOR	8.2Ω 1/2W J	1	
	R6022	RK73PB2H8R2J	MG RESISTOR	8.2Ω 1/2W J	1	
	R6023	RK73PB2H8R2J	MG RESISTOR	8.2Ω 1/2W J	1	
	R6024	RK73PB2H8R2J	MG RESISTOR	8.2Ω 1/2W J	1	
	R6025	RK73PB2H8R2J	MG RESISTOR	8.2Ω 1/2W J	1	
	R6026	RK73PB2H8R2J	MG RESISTOR	8.2Ω 1/2W J	1	
	R6027	RK73PB2H8R2J	MG RESISTOR	8.2Ω 1/2W J	1	
	R6028	RK73PB2H8R2J	MG RESISTOR	8.2Ω 1/2W J	1	
	R6041	RK73HB1J000J	MG RESISTOR	0Ω 1/16W J	1	
	R6042	RK73HH1J241D	MG RESISTOR	240Ω 1/16W D	1	
	R6043	RK73HH1J241D	MG RESISTOR	240Ω 1/16W D	1	
	R6044	RK73HH1J241D	MG RESISTOR	240Ω 1/16W D	1	
	R6045	RK73HH1J241D	MG RESISTOR	240Ω 1/16W D	1	
	R6046	RK73HH1J241D	MG RESISTOR	240Ω 1/16W D	1	
	R6047	RK73HH1J241D	MG RESISTOR	240Ω 1/16W D	1	
	R6048	RK73HH1J241D	MG RESISTOR	240Ω 1/16W D	1	
	R6049	RK73HH1J241D	MG RESISTOR	240Ω 1/16W D	1	
	R6201	RK73HB1J473J	MG RESISTOR	47kΩ 1/16W J	1	
	R6202	RK73HB1J473J	MG RESISTOR	47kΩ 1/16W J	1	
	R6203	RK73HB1J473J	MG RESISTOR	47kΩ 1/16W J	1	
	R6204	RK73HH1J331D	MG RESISTOR	330Ω 1/16W D	1	
	R6205	RK73HH1J391D	MG RESISTOR	390Ω 1/16W D	1	
	R6207	RK73HH1J221D	MG RESISTOR	220Ω 1/16W D	1	
	R6208	RK73HH1J561D	MG RESISTOR	560Ω 1/16W D	1	
	R6209	RK73HH1J181D	MG RESISTOR	180Ω 1/16W D	1	
	R6210	RK73HH1J271D	MG RESISTOR	270Ω 1/16W D	1	
	R6212	RK73GB2A470J	MG RESISTOR	47Ω 1/10W J	1	
	R6501	RK73GB2A182J	MG RESISTOR	1.8kΩ 1/10W J	1	
	R6502	RK73GB2A182J	MG RESISTOR	1.8kΩ 1/10W J	1	
	R6503	RK73GB2A242J	MG RESISTOR	2.4kΩ 1/10W J	1	
	R6512	RK73GB2A473J	MG RESISTOR	47kΩ 1/10W J	1	
	R6514	RK73GB2A473J	MG RESISTOR	47kΩ 1/10W J	1	
	R6515	RK73GB2A473J	MG RESISTOR	47kΩ 1/10W J	1	
	R6516	RK73EB2E102J	MG RESISTOR	1kΩ 1/4W J	1	
	RA601	RK74HB1J821J	NET RESISTOR	820Ω 1/16W J	1	
	RA602	RK74HB1J102J	NET RESISTOR	1kΩ 1/16W J	1	

MODEL	MARK	MODEL	MARK	MODEL	MARK	MODEL	MARK
KW-V100J	A	KW-V10A	B	KW-V10E	C	KW-V10EE	D
KW-V10EU	E	KW-V10HUN	F	KW-V10J	G	KW-V10JW	H
KW-V10U	I	KW-V10UI	J	KW-V200BTJ	K	KW-V20BTA	L
KW-V20BTE	M	KW-V20BTEE	N	KW-V20BTEU	O	KW-V20BTJ	P
KW-V20BTJW	Q	KW-V20BTTUN	R	KW-V20BTU	S	KW-V20BTUI	T

Safe	Symbol No.	Parts No.	Parts Name	Description	QTY	Local
	RA603	RK74HB1J470J	NET RESISTOR	47Ω 1/16W J	1	
	L6001	NQL79GM-470X	COIL	47uH M	1	A,B,C,D,E,G,H,I,J,K, L,M,N,O,P,Q,S,T
	L6001	LR73Z0AD470M	COIL	47uH	1	F,R
	CN603	QGF0534F7-30X	CONNECTOR	FFC/FPC (1-30)	1	
	CN604	QGF0534F7-15X	CONNECTOR	FFC/FPC (1-15)	1	
	CN606	QGF1041C4-04W	CONNECTOR	FFC/FPC (1-4)	1	
	CN607	QGA1002F1-02X	CONNECTOR	W-B (1-2)	1	
	CN610	QGF0534F7-45X	CONNECTOR	FFC/FPC (1-45)	1	
	CN651	QGF0534F7-15X	CONNECTOR	FFC/FPC (1-15)	1	
	J652	QNS0322-001	3.5 JACK		1	
	JS651	QSW1279-001	ROTARY ENCODER		1	
	S6501	NSW0335-001X	TACT SWITCH		1	
	S6502	NSW0335-001X	TACT SWITCH		1	
	S6503	NSW0335-001X	TACT SWITCH		1	
	S6504	NSW0335-001X	TACT SWITCH		1	
	S6505	NSW0335-001X	TACT SWITCH		1	
	VA614	NAF0044-270X	VARISTOR(ZNR)		1	
	VA616	NAF0044-270X	VARISTOR(ZNR)		1	
	VA628	NAF0044-270X	VARISTOR(ZNR)		1	
	VA630	NAF0044-270X	VARISTOR(ZNR)		1	
	VA632	NAF0044-270X	VARISTOR(ZNR)		1	
	VA633	NAF0044-270X	VARISTOR(ZNR)		1	
	VA636	NAF0044-270X	VARISTOR(ZNR)		1	
	VA638	NAF0044-270X	VARISTOR(ZNR)		1	
	VA651	NAF0043-8R0X	VARISTOR(ZNR)		1	
<b>BT PWB ASSY (LVA11275-01A) &lt;05&gt;</b>						
	Q3001	LSCR523UB-X	TRANSISTOR		1	K,L,M,N,O,P,Q,S,T
	Q3001	LSCR523UBFS8	TRANSISTOR		1	R
	D3001	DA204U-X	SI DIODE		1	K,L,M,N,O,P,Q,R,S,T
	D3003	DA204U-X	SI DIODE		1	K,L,M,N,O,P,Q,R,S,T
	D3004	DA2J101-X	SI DIODE		1	K,L,M,N,O,P,Q,S,T
	D3004	DA2J101	DIODE		1	R
	D3005	DA2J101-X	SI DIODE		1	K,L,M,N,O,P,Q,S,T
	D3005	DA2J101	DIODE		1	R
	D3006	DZ2J056/M/-X	Z DIODE		1	K,L,M,N,O,P,Q,S,T
	D3006	DZ2J056M	Z DIODE		1	R
	D3007	DA204U-X	SI DIODE		1	K,L,M,N,O,P,Q,R,S,T
	D3008	DA204U-X	SI DIODE		1	K,L,M,N,O,P,Q,R,S,T
	C3003	NCB31HK-104X	C CAPACITOR	0.1uF 50V K	1	K,L,M,N,O,P,Q,R,S,T
	C3004	NCB31CK-105X	C CAPACITOR	1uF 16V K	1	K,L,M,N,O,P,Q,R,S,T
	C3005	NCB31CK-105X	C CAPACITOR	1uF 16V K	1	K,L,M,N,O,P,Q,R,S,T
	C3006	NCB31CK-105X	C CAPACITOR	1uF 16V K	1	K,L,M,N,O,P,Q,R,S,T
	C3007	NCB31CK-105X	C CAPACITOR	1uF 16V K	1	K,L,M,N,O,P,Q,R,S,T
	C3008	CK73GBB1H103K	C CAPACITOR	0.01uF 50V K	1	K,L,M,N,O,P,Q,R,S,T
	C3009	CK730BW0J226M	C CAPACITOR	22uF 6.3V M	1	K,L,M,N,O,P,Q,R,S,T
	C3010	CK730BW1C106K	C CAPACITOR	10uF 16V K	1	K,L,M,N,O,P,Q,R,S,T
	R3007	RK73GB2A473J	MG RESISTOR	47kΩ 1/10W J	1	K,L,M,N,O,P,Q,R,S,T
	R3010	RK73GB2A222J	MG RESISTOR	2.2kΩ 1/10W J	1	K,L,M,N,O,P,Q,R,S,T
	R3012	RK73HB1J680J	MG RESISTOR	68Ω 1/16W J	1	K,L,M,N,O,P,Q,R,S,T
	R3013	RK73HB1J680J	MG RESISTOR	68Ω 1/16W J	1	K,L,M,N,O,P,Q,R,S,T
	R3014	RK73HB1J122J	MG RESISTOR	1.2kΩ 1/16W J	1	K,L,M,N,O,P,Q,R,S,T
	L3002	NQL79GM-470X	COIL	47uH M	1	K,L,M,N,O,P,Q,S,T
	L3002	LR73Z0AD470M	COIL	47uH	1	R
	A301	QAU0559-001	RF MODULE		1	K,L,M,N,O,P,Q,R,S,T
	CN301	QGA2001C1-02	CONNECTOR	W-B (1-2)	1	K,L,M,N,O,P,Q,R,S,T
	CN302	QGF0534F7-12X	CONNECTOR	FFC/FPC (1-12)	1	K,L,M,N,O,P,Q,R,S,T
<b>DVD PLAYER UNIT (LVA11172-05A) IN DVD MECHA &lt;06&gt;</b>						
	IC101	RT3CLLM-1/EF/	DUAL TRANSISTOR		1	
	IC102	RT3K11M-X	MOS FET ARRAY		1	
	IC201	AN41250A-X	IC		1	
	IC301	MN2DS0041MD	IC		1	
	IC381	JVM661D	PROGRAMED IC		1	
	IC391	M12L128168A6TG	IC		1	
	IC401	AK4387ET	ANALOG IC		1	
	IC551	MFI337S3959-X	IC		1	
	IC921	BD12KA5FP-X	IC		1	
	Q4	2SC1623/5-6/-X	TRANSISTOR		1	
	Q11	2SC1623/5-6/-X	TRANSISTOR		1	
	Q12	LTC044EEBFS8	DIGI TRANSISTOR		1	
	Q101	2SB1709-X	TRANSISTOR		1	
	Q102	2SB1709-X	TRANSISTOR		1	
	Q103	LSCR523EBFS8	TRANSISTOR		1	
	Q302	LTC044EEBFS8	DIGI TRANSISTOR		1	
	Q341	RT1N441U-1	DIGI TRANSISTOR		1	
	D6	TAN1102W-22-X	IR LED		1	
	D7	TAN1102W-22-X	IR LED		1	
	D9	PS1192HB-22-X	PHOTO TRANSISTOR		1	
	D11	PS1192HB-22-X	PHOTO TRANSISTOR		1	
	C101	CK730BW0J226M	C CAPACITOR	22uF 6.3V M	1	
	C102	CK730BY0J476M	C CAPACITOR	47uF 6.3V M	1	
	C103	CK730BY0J476M	C CAPACITOR	47uF 6.3V M	1	
	C105	CK73HBB1A104K	C CAPACITOR	0.1uF 10V K	1	
	C106	CK73HBB1A104K	C CAPACITOR	0.1uF 10V K	1	
	C107	CK73HBB1A104K	C CAPACITOR	0.1uF 10V K	1	
	C109	CK73HBB1C104K	C CAPACITOR	0.1uF 16V K	1	
	C110	CK73HBB1A104K	C CAPACITOR	0.1uF 10V K	1	

MODEL	MARK	MODEL	MARK	MODEL	MARK	MODEL	MARK
KW-V100J	A	KW-V10A	B	KW-V10E	C	KW-V10EE	D
KW-V10EU	E	KW-V10HUN	F	KW-V10J	G	KW-V10JW	H
KW-V10U	I	KW-V10UI	J	KW-V200BTJ	K	KW-V20BTA	L
KW-V20BTE	M	KW-V20BTEE	N	KW-V20BTEU	O	KW-V20BTJ	P
KW-V20BTJW	Q	KW-V20BTTUN	R	KW-V20BTU	S	KW-V20BTUI	T

Safe	Symbol No.	Parts No.	Parts Name	Description	QTY	Local
	C111	NCB31CK-105X	C CAPACITOR	1uF 16V K	1	
	C112	CK730BW0J226M	C CAPACITOR	22uF 6.3V M	1	
	C113	CK73HBB1A104K	C CAPACITOR	0.1uF 10V K	1	
	C114	CC73HCH1H101J	C CAPACITOR	100pF 50V J	1	
	C121	CK73HBB1A104K	C CAPACITOR	0.1uF 10V K	1	
	C122	CK73HBB1C333K	C CAPACITOR	0.033uF 16V K	1	
	C123	CK73HBB1C104K	C CAPACITOR	0.1uF 16V K	1	
	C124	CK73HBB1A104K	C CAPACITOR	0.1uF 10V K	1	
	C131	CK73HBB1H272K	C CAPACITOR	2700pF 50V K	1	
	C133	NCJA1AK-684W-A	C CAPACITOR	0.68uF 10V K	1	
	C134	NCJA1AK-684W-A	C CAPACITOR	0.68uF 10V K	1	
	C135	CK73HBB1A104K	C CAPACITOR	0.1uF 10V K	1	
	C136	CK73HBB1A104K	C CAPACITOR	0.1uF 10V K	1	
	C137	CK73HBB1A104K	C CAPACITOR	0.1uF 10V K	1	
	C138	CK73HBB1A104K	C CAPACITOR	0.1uF 10V K	1	
	C139	CC73HCH1H150J	C CAPACITOR	15pF 50V J	1	
	C151	CK73HBB1A104K	C CAPACITOR	0.1uF 10V K	1	
	C170	CK73HBB1A104K	C CAPACITOR	0.1uF 10V K	1	
	C201	CK730BW0J226M	C CAPACITOR	22uF 6.3V M	1	
	C202	CK730AX0J106K	C CAPACITOR	10uF 6.3V K	1	
	C203	CK730AX0J106K	C CAPACITOR	10uF 6.3V K	1	
	C204	CK73HBB1C104K	C CAPACITOR	0.1uF 16V K	1	
	C205	CK73HBB1E103K	C CAPACITOR	0.01uF 25V K	1	
	C206	CK730BU0J475K	C CAPACITOR	4.7uF 6.3V K	1	
	C207	CK73HBB1E103K	C CAPACITOR	0.01uF 25V K	1	
	C208	CK73HBB1E103K	C CAPACITOR	0.01uF 25V K	1	
	C241	CK73HBB1E153K	C CAPACITOR	0.015uF 25V K	1	
	C242	CK73HBB1E153K	C CAPACITOR	0.015uF 25V K	1	
	C243	CK73HBB1E223K	C CAPACITOR	0.022uF 25V K	1	
	C244	CK73HBB1E223K	C CAPACITOR	0.022uF 25V K	1	
	C251	CK73HBB1E103K	C CAPACITOR	0.01uF 25V K	1	
	C261	CK73HBB1H472K	C CAPACITOR	4700pF 50V K	1	
	C291	CK73HBB1E103K	C CAPACITOR	0.01uF 25V K	1	
	C301	CK73HBB1A104K	C CAPACITOR	0.1uF 10V K	1	
	C302	CK73HBB1A104K	C CAPACITOR	0.1uF 10V K	1	
	C303	CK73HBB1A104K	C CAPACITOR	0.1uF 10V K	1	
	C304	CK73HBB1A104K	C CAPACITOR	0.1uF 10V K	1	
	C305	CK73HBB1A104K	C CAPACITOR	0.1uF 10V K	1	
	C306	CK73HBB1A104K	C CAPACITOR	0.1uF 10V K	1	
	C307	CK73HBB1A104K	C CAPACITOR	0.1uF 10V K	1	
	C311	CK73HBB1A104K	C CAPACITOR	0.1uF 10V K	1	
	C312	CK73GBB1H222K	C CAPACITOR	2200pF 50V K	1	
	C313	CK73GBB1H682K	C CAPACITOR	6800pF 50V K	1	
	C314	CK73HBB1H222K	C CAPACITOR	2200pF 50V K	1	
	C315	CK73HBB1H222K	C CAPACITOR	2200pF 50V K	1	
	C316	CK730BS0J105K	C CAPACITOR	1uF 6.3V K	1	
	C317	CK730BS0J105K	C CAPACITOR	1uF 6.3V K	1	
	C318	CK73HBB1A104K	C CAPACITOR	0.1uF 10V K	1	
	C319	CK73HBB1A104K	C CAPACITOR	0.1uF 10V K	1	
	C320	CK73HBB1A104K	C CAPACITOR	0.1uF 10V K	1	
	C322	CK73HBB1A104K	C CAPACITOR	0.1uF 10V K	1	
	C324	CK73HBB1A104K	C CAPACITOR	0.1uF 10V K	1	
	C325	CK73HBB1A104K	C CAPACITOR	0.1uF 10V K	1	
	C326	CK73HBB1E103K	C CAPACITOR	0.01uF 25V K	1	
	C327	CK73HBB1A104K	C CAPACITOR	0.1uF 10V K	1	
	C329	CK73HBB1A104K	C CAPACITOR	0.1uF 10V K	1	
	C330	CK73HBB1A104K	C CAPACITOR	0.1uF 10V K	1	
	C331	CK73HBB1A104K	C CAPACITOR	0.1uF 10V K	1	
	C332	CK73HBB1A104K	C CAPACITOR	0.1uF 10V K	1	
	C333	CK73HBB1A104K	C CAPACITOR	0.1uF 10V K	1	
	C351	CC73HCH1H120J	C CAPACITOR	12pF 50V J	1	
	C352	CC73HCH1H120J	C CAPACITOR	12pF 50V J	1	
	C382	CK73HBB1A104K	C CAPACITOR	0.1uF 10V K	1	
	C391	CK730AX0J106K	C CAPACITOR	10uF 6.3V K	1	
	C392	CK73HBB1A104K	C CAPACITOR	0.1uF 10V K	1	
	C396	CK73HBB1A104K	C CAPACITOR	0.1uF 10V K	1	
	C398	CK73HBB1A104K	C CAPACITOR	0.1uF 10V K	1	
	C401	CK730BY1A476K	C CAPACITOR	47uF 10V K	1	
	C402	CK73HBB1C104K	C CAPACITOR	0.1uF 16V K	1	
	C403	CK73HBB1C104K	C CAPACITOR	0.1uF 16V K	1	
	C404	NCB10JK-226X-R	C CAPACITOR	22uF 6.3V K	1	
	C405	CK73HBB1A104K	C CAPACITOR	0.1uF 10V K	1	
	C406	CK73HBB1H331K	C CAPACITOR	330pF 50V K	1	
	C411	CK73HBB1C473K	C CAPACITOR	0.047uF 16V M	1	
	C412	CC73HCH1H101J	C CAPACITOR	100pF 50V J	1	
	C511	CK73HBB1A104K	C CAPACITOR	0.1uF 10V K	1	
	C701	CK73HBB1C104K	C CAPACITOR	0.1uF 16V K	1	
	C702	CK73HBB1C104K	C CAPACITOR	0.1uF 16V K	1	
	C703	CK73HBB1A104K	C CAPACITOR	0.1uF 10V K	1	
	C704	CK73HBB1C104K	C CAPACITOR	0.1uF 16V K	1	
	C705	CK73HBB1A104K	C CAPACITOR	0.1uF 10V K	1	
	C901	NCB31CK-105X	C CAPACITOR	1uF 16V K	1	
	C911	CK730BY0J476M	C CAPACITOR	47uF 6.3V M	1	
	C912	CK73HBB1A104K	C CAPACITOR	0.1uF 10V K	1	
	C913	CK730BW0J226M	C CAPACITOR	22uF 6.3V M	1	
	C914	CK73HBB1A104K	C CAPACITOR	0.1uF 10V K	1	
	C921	NCB31CK-105X	C CAPACITOR	1uF 16V K	1	

MODEL	MARK	MODEL	MARK	MODEL	MARK	MODEL	MARK
KW-V100J	A	KW-V10A	B	KW-V10E	C	KW-V10EE	D
KW-V10EU	E	KW-V10HUN	F	KW-V10J	G	KW-V10JW	H
KW-V10U	I	KW-V10UI	J	KW-V200BTJ	K	KW-V20BTA	L
KW-V20BTE	M	KW-V20BTEE	N	KW-V20BTEU	O	KW-V20BTJ	P
KW-V20BTJW	Q	KW-V20BTTUN	R	KW-V20BTU	S	KW-V20BTUI	T

Safe	Symbol No.	Parts No.	Parts Name	Description	QTY	Local
	C923	NCB31CK-105X	C CAPACITOR	1uF 16V K	1	
	R11	RK73GB2A112J	MG RESISTOR	1.1kΩ 1/10W J	1	
	R12	RK73HB1J184J	MG RESISTOR	180kΩ 1/16W J	1	
	R13	RK73HB1J103J	MG RESISTOR	10kΩ 1/16W J	1	
	R15	RK73HB1J822J	MG RESISTOR	8.2kΩ 1/16W J	1	
	R17	RK73HB1J473J	MG RESISTOR	47kΩ 1/16W J	1	
	R21	RK73GB2A112J	MG RESISTOR	1.1kΩ 1/10W J	1	
	R101	RK73GB2A471J	MG RESISTOR	470Ω 1/10W J	1	
	R102	RK73HB1J471J	MG RESISTOR	470Ω 1/16W J	1	
	R103	RK73GB2A102J	MG RESISTOR	1kΩ 1/10W J	1	
	R104	RK73HB1J2R2J	MG RESISTOR	2.2Ω 1/16W J	1	
	R111	RK73GB2A471J	MG RESISTOR	470Ω 1/10W J	1	
	R112	RK73HB1J471J	MG RESISTOR	470Ω 1/16W J	1	
	R113	RK73GB2A102J	MG RESISTOR	1kΩ 1/10W J	1	
	R114	RK73HB1J2R2J	MG RESISTOR	2.2Ω 1/16W J	1	
	R115	NR20122-180X	MG RESISTOR	18Ω	1	
	R116	RK73HB1J242J	MG RESISTOR	2.4kΩ 1/16W J	1	
	R117	RK73HB1J432J	MG RESISTOR	4.3kΩ 1/16W J	1	
	R121	RK73HB1J101J	MG RESISTOR	100Ω 1/16W J	1	
	R122	RK73HB1J101J	MG RESISTOR	100Ω 1/16W J	1	
	R123	RK73HB1J104J	MG RESISTOR	100kΩ 1/16W J	1	
	R124	RK73HB1J103J	MG RESISTOR	10kΩ 1/16W J	1	
	R125	RK73HB1J103J	MG RESISTOR	10kΩ 1/16W J	1	
	R131	RK73HH1J122D	MG RESISTOR	1.2kΩ 1/16W D	1	
	R132	RK73HH1J122D	MG RESISTOR	1.2kΩ 1/16W D	1	
	R139	RK73HB1J470J	MG RESISTOR	47Ω 1/16W J	1	
	R151	RK73HB1J472J	MG RESISTOR	4.7kΩ 1/16W J	1	
	R165	RK73HB1J473J	MG RESISTOR	47kΩ 1/16W J	1	
	R170	RK73HH1J332D	MG RESISTOR	3.3kΩ 1/16W D	1	
	R171	RK73HH1J162D	MG RESISTOR	1.6kΩ 1/16W D	1	
	R182	RK73GB2A000J	MG RESISTOR	0Ω 1/10W J	1	
	R201	NR20098-R22X	MG RESISTOR	0.22Ω	1	
	R202	RK73EB2E301J	MG RESISTOR	300Ω 1/4W J	1	
	R204	RK73GB2A271J	MG RESISTOR	270Ω 1/10W J	1	
	R212	RK73GB2A103J	MG RESISTOR	10kΩ 1/10W J	1	
	R213	RK73GB2A000J	MG RESISTOR	0Ω 1/10W J	1	
	R231	RK73HB1J102J	MG RESISTOR	1kΩ 1/16W J	1	
	R232	RK73HB1J473J	MG RESISTOR	47kΩ 1/16W J	1	
	R233	RK73HB1J104J	MG RESISTOR	100kΩ 1/16W J	1	
	R241	RK73HB1J103J	MG RESISTOR	10kΩ 1/16W J	1	
	R242	RK73HB1J103J	MG RESISTOR	10kΩ 1/16W J	1	
	R243	RK73HB1J103J	MG RESISTOR	10kΩ 1/16W J	1	
	R244	RK73HB1J103J	MG RESISTOR	10kΩ 1/16W J	1	
	R251	RK73GH2A333D	MG RESISTOR	33kΩ 1/10W D	1	
	R252	RK73GB2A821J	MG RESISTOR	820Ω 1/10W J	1	
	R261	RK73GH2A822D	MG RESISTOR	8.2Ω 1/10W D	1	
	R262	RK73GB2A242J	MG RESISTOR	2.4kΩ 1/10W J	1	
	R271	RK73HB1J163J	MG RESISTOR	16kΩ 1/16W J	1	
	R272	RK73GB2A000J	MG RESISTOR	0Ω 1/10W J	1	
	R302	RK73HB1J101J	MG RESISTOR	100Ω 1/16W J	1	
	R303	RK73HB1J101J	MG RESISTOR	100Ω 1/16W J	1	
	R304	RK73HB1J101J	MG RESISTOR	100Ω 1/16W J	1	
	R306	RK73HB1J331J	MG RESISTOR	330Ω 1/16W J	1	
	R307	RK73HB1J331J	MG RESISTOR	330Ω 1/16W J	1	
	R308	RK73HB1J331J	MG RESISTOR	330Ω 1/16W J	1	
	R309	RK73HB1J101J	MG RESISTOR	100Ω 1/16W J	1	
	R310	RK73HH1J102D	MG RESISTOR	1kΩ 1/16W D	1	
	R311	RK73HB1J223J	MG RESISTOR	22kΩ 1/16W J	1	
	R313	RK73HB1J181J	MG RESISTOR	180Ω 1/16W J	1	
	R314	RK73GB2A222J	MG RESISTOR	2.2kΩ 1/10W J	1	
	R315	RK73GB2A222J	MG RESISTOR	2.2kΩ 1/10W J	1	
	R316	RK73GB2A000J	MG RESISTOR	0Ω 1/10W J	1	
	R319	RK73GH2A243D	MG RESISTOR	24kΩ 1/10W D	1	
	R323	RK73HB1J104J	MG RESISTOR	100kΩ 1/16W J	1	
	R327	RK73HB1J270J	MG RESISTOR	27Ω 1/16W J	1	
	R328	RK73HB1J102J	MG RESISTOR	1kΩ 1/16W J	1	
	R329	RK73HB1J102J	MG RESISTOR	1kΩ 1/16W J	1	
	R341	RK73HB1J103J	MG RESISTOR	10kΩ 1/16W J	1	
	R351	RK73HB1J105J	MG RESISTOR	1MΩ 1/16W J	1	
	R352	RK73HB1J102J	MG RESISTOR	1kΩ 1/16W J	1	
	R365	RK73HB1J103J	MG RESISTOR	10kΩ 1/16W J	1	
	R376	RK73HB1J822J	MG RESISTOR	8.2kΩ 1/16W J	1	
	R386	RK73HB1J184J	MG RESISTOR	180kΩ 1/16W J	1	
	R400	RK73HB1J153J	MG RESISTOR	15kΩ 1/16W J	1	
	R401	RK73GB2A100J	MG RESISTOR	10Ω 1/10W J	1	
	R402	RK73HB1J100J	MG RESISTOR	10Ω 1/16W J	1	
	R403	RK73HB1J103J	MG RESISTOR	10kΩ 1/16W J	1	
	R511	RK73HB1J103J	MG RESISTOR	10kΩ 1/16W J	1	
	R512	RK73HB1J103J	MG RESISTOR	10kΩ 1/16W J	1	
	R515	RK73HB1J103J	MG RESISTOR	10kΩ 1/16W J	1	
	R601	RK73GH2A330D	MG RESISTOR	33Ω 1/10W D	1	
	R602	RK73GH2A330D	MG RESISTOR	33Ω 1/10W D	1	
	R611	RK73HB1J153J	MG RESISTOR	15kΩ 1/16W J	1	
	R612	RK73HB1J153J	MG RESISTOR	15kΩ 1/16W J	1	
	R702	RK73HB1J102J	MG RESISTOR	1kΩ 1/16W J	1	

MODEL	MARK	MODEL	MARK	MODEL	MARK	MODEL	MARK
KW-V100J	A	KW-V10A	B	KW-V10E	C	KW-V10EE	D
KW-V10EU	E	KW-V10HUN	F	KW-V10J	G	KW-V10JW	H
KW-V10U	I	KW-V10UI	J	KW-V200BTJ	K	KW-V20BTA	L
KW-V20BTE	M	KW-V20BTEE	N	KW-V20BTEU	O	KW-V20BTJ	P
KW-V20BTJW	Q	KW-V20BTTUN	R	KW-V20BTU	S	KW-V20BTUI	T

Safe	Symbol No.	Parts No.	Parts Name	Description	QTY	Local
	R911	NRZ0098-R18X	MG RESISTOR	0.18Ω	1	
	CN101	QGF0534F7-26X	CONNECTOR	FFC/FPC (1-26)	1	
	CN201	QGF0534F7-18X	CONNECTOR	FFC/FPC (1-18)	1	
	CN401	QGF0534F7-50X	CONNECTOR	FFC/FPC (1-50)	1	
	S1	NSW0351-001X	LEVER		1	
	TH491	NAD0055-103X	N THERMISTOR	10kΩ	1	
	W411	RK73GB2A000J	MG RESISTOR	0Ω 1/10W J	1	
	X351	NAX1135-001X	CRYSTAL		1	