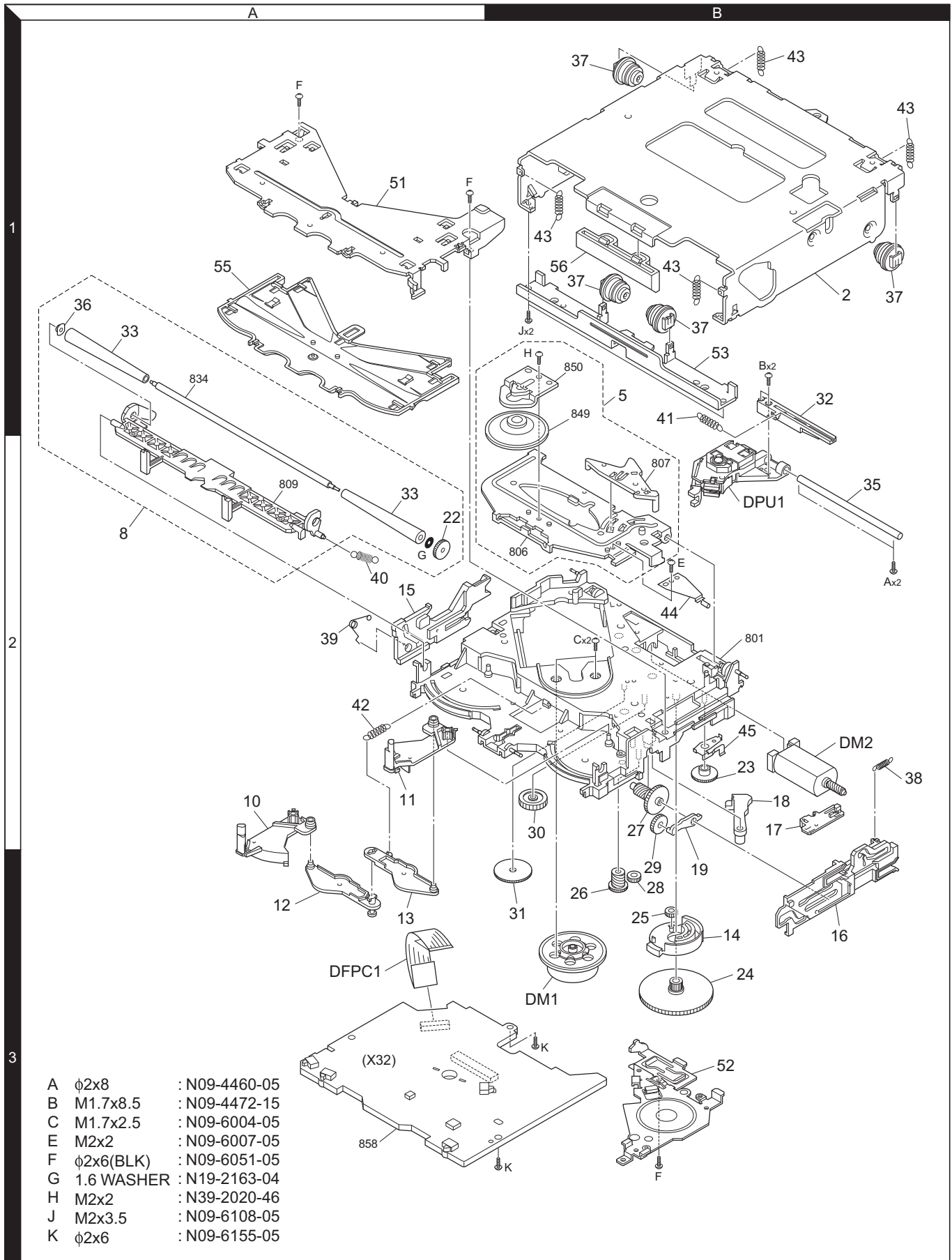


EXPLODED VIEW (CD MECHANISM)



PARTS LIST

* New parts

Parts without **Parts No.** are not supplied.

Les articles non mentionnés dans le **Parts No.** ne sont pas fournis.

Teile ohne **Parts No.** werden nicht geliefert.

Ref. No.	A d d	N e w	Parts No.	Description	Desti- nation
KDC-MPV5025/MPV525/MPV7026/WV6027					
201	1C		A02-1486-13	PLASTIC CABINET ASSY	
203	3D		A22-2982-22	SUB PANEL ASSY	
205	2C		A46-1797-01	REAR COVER	
206	1D		A52-0829-02	TOP PLATE	
PA1	3C	*	A64-3186-12	PANEL ASSY	K3
PA1	3C	*	A64-3188-12	PANEL ASSY	K5
PA1	3C	*	A64-3193-12	PANEL ASSY	M2
PA1	3C	*	A64-3198-12	PANEL ASSY	E3
RM1	1C		A70-2040-05	REMOTE CONTROLLER ASSY (RC-505)	K3K5M2
-			B46-0100-50	WARRANTY CARD	
-			B46-0606-04	ID CARD	K3K5
-			B46-0612-14	ID CARD	M2E3
-			B46-0653-03	USER CARD	K3K5
-		*	B64-2695-00	INSTRUC. MANUAL (ENG.FRE.SPA.)	K3K5
-		*	B64-2699-00	INSTRUC. MANUAL (ENG.T-CHI.)	M2
-		*	B64-2700-00	INSTRUCTION MANUAL (ARABIC)	M2
-		*	B64-2704-00	INSTRUCTION MANUAL (ENGLISH)	E3
-		*	B64-2705-00	INSTRUC. MANUAL (FRE.GER.DUT.)	E3
-		*	B64-2706-00	INSTRUC. MANUAL (ITA.SPA.POR.)	E3
208	1C		B07-3001-02	ESCUTCHEON	E3
208	1C		B07-3098-02	ESCUTCHEON (SILVER)	K3M2
208	1C		B07-3100-02	ESCUTCHEON	K5
209	3C		B09-0533-03	CAP (ROTARY)	
210	3C	*	B10-4474-11	FRONT GLASS	K3
210	3C	*	B10-4476-11	FRONT GLASS	K5
210	3C	*	B10-4481-11	FRONT GLASS	M2
210	3C	*	B10-4486-11	FRONT GLASS	E3
211	3C	*	B10-4495-12	FRONT GLASS	
212	3C		B11-1440-04	OPTICAL DIFFUSER	
213	3C		B43-1518-04	BADGE	
215	1C		D10-4589-04	LEVER	
216	3D		D10-4730-03	LEVER (LOCK)	
217	3D		D10-4731-03	LEVER (PUSH)	
218	3D		D39-0255-05	DAMPER	
221	3C		E29-1967-02	CONDUCTIVE RUBBER	
222	1D		E30-6229-05	CORD WITH PINPLUG (1PRE FRONT)	K3K5E3
223	1D	*	E30-6278-05	CORD WITH PINPLUG (FRONT&AUX)	M2
224	1D		E30-6223-05	CORD WITH DIN CONNECTOR (OPEL)	E3
△ DC1	1C		E30-4958-05	DC CORD	E3
△ DC2	1C		E30-6295-05	DC CORD	K3K5M2
FC1	2D		E39-0438-05	FLAT CABLE (24PIN)	
229	1D		F29-0626-04	INSULATING COVER	
△ F1	2D		F52-0006-05	FUSE (MINI BLADE TYPE) (10A)	
232	3C		G01-3203-04	COMPRESSION SPRING	
233	3D		G01-3171-04	TORSION COIL SPRING (LOCK)	
234	3D		G01-3172-04	TORSION COIL SPRING (PUSH)	
235	2C		G01-3173-04	COMPRESSION SPRING (REAR COVER)	
236	3D		G13-1267-04	CUSHION	
237	3D		G13-1273-04	CUSHION	
-			H10-4856-12	POLYSTYRENE FOAMED FIXTURE	

Ref. No.	A d d	N e w	Parts No.	Description	Desti- nation
-			H13-2043-04	CARTON BOARD	
-			H25-0329-04	PROTECTION BAG (280X450X0.03)	K3K5M2
-			H25-0337-04	PROTECTION BAG (180X300X0.03)	
-			H25-1111-04	PROTECTION BAG (280X450X0.03)	E3
-		*	H54-3006-03	ITEM CARTON CASE	K3
-		*	H54-3008-03	ITEM CARTON CASE	K5
-		*	H54-3013-03	ITEM CARTON CASE	M2
-		*	H54-3018-03	ITEM CARTON CASE	E3
240	3D		J19-5203-03	HOLDER (LEFT)	
241	3D		J19-5204-03	HOLDER (RIGHT)	
242	2C		J19-5205-03	HOLDER (REAR COVER)	
243	3C		J19-5271-02	HOLDER	
244	1D		J22-0011-03	MOUNTING HARDWARE ASSY	
250	3C		K23-1081-03	KNOB (ROTARY)	
251	3D		K24-4000-03	KNOB (EJECT)	
252	3C		K24-4102-03	KNOB (SRC)	
253	3C		K24-4103-04	KNOB (REL)	
254	3C		K25-1593-03	KNOB (AUTO/CLK)	
255	3C		K25-1594-03	KNOB (PLAY/Q)	
256	3C		K25-1641-02	KNOB (PRESET)	
257	3C		K25-1642-03	KNOB (FM/AM)	
260	1C		N99-1719-05	SCREW SET	K3K5M2
261	1C		N99-1730-15	SCREW SET	
B	3D		N30-3008-46	PAN HEAD MACHINE SCREW (M3X 8)	
C	3C		N80-2006-46	PAN HEAD TAPTITE SCREW (2X 6)	
D	2C		N80-2008-45	PAN HEAD TAPTITE SCREW (2X 8)	
E	1D		N83-3005-46	PAN HEAD TAPTITE SCREW (3X 5)	
F	3D		N84-2005-45	PAN HEAD TAPTITE SCREW	
G	3D		N84-2606-45	PAN HEAD TAPTITE SCREW (2.6X6)	
262	1C		T90-0523-05	ANTENNA ADAPTOR	E3
DME1	1D		X92-4850-00	MECHANISM ASSY (DXM-6540W)	
SWITCH UNIT (X16-2480-20)					
280	2D		B11-1439-04	OPTICAL DIFFUSER	
281	2D		B11-1441-04	REFLECTION SHEET	
282	2D		B19-2243-02	LIGHTING BOARD	
D1			B30-1564-05	LED (1608,BLUE)	
D2			B30-1566-05	LED (1608,RED)	
D3			B30-1692-05	LED (HR/YG)	
D4-13			B30-1605-05	LED (2COLOR PG/RED)	
D31,32			B30-1599-05	LED (NICHIA FULL)	
ED1		*	B38-1133-05	LIQUID CRYSTAL	
C1			CK73GB1H102K	CHIP C 1000PF	K
C2-4			CK73GB1C104K	CHIP C 0.10UF	K
C6			CK73GB1H103K	CHIP C 0.010UF	K
C7			CK73FB1A225K	CHIP C 2.2UF	K
C8			CK73GB1H103K	CHIP C 0.010UF	K
C10,11			CK73GB1H103K	CHIP C 0.010UF	K
C31			CK73GB0J105K	CHIP C 1.0UF	K
C35-37			CK73FB0J475K	CHIP C 4.7UF	K
C38-43			CK73GB1H103K	CHIP C 0.010UF	K
283	2D		E29-1968-04	CONDUCTIVE RUBBER	
J1			E59-0829-05	RECTANGULAR PLUG	

K3 : KDC-MPV525 K5 : KDC-MPV5025 E3 : KDC-WV6027 M2 : KDC-MPV7026

△ Indicates safety critical components.

PARTS LIST

* New parts

Parts without **Parts No.** are not supplied.

Les articles non mentionnés dans le **Parts No.** ne sont pas fournis.

Teile ohne **Parts No.** werden nicht geliefert.

SWITCH UNIT (X16-2480-20)

Ref. No.	Add	New	Parts No.	Description	Destination	Ref. No.	Add	New	Parts No.	Description	Destination
CP1			R90-0714-05	MULTI-COMP 10K X4		C30			CK73GB1H152K	CHIP C 1500PF K	
CP2			R90-1016-05	MULTI-COMP 470 X4		C31			CC73GCH1H470J	CHIP C 47PF J	
CP31,32			R90-0720-05	MULTI-COMP 100K X4		C32,33			CK73GB1C104K	CHIP C 0.10UF K	
CP33			R90-1022-05	MULTI-COMP 470 X2		C34			CC73GCH1H560J	CHIP C 56PF J	
R1			RK73GB2A303J	CHIP R 30K J 1/10W		C35,36			CK73GB1C104K	CHIP C 0.10UF K	
R2-5			RK73GB2A222J	CHIP R 2.2K J 1/10W		C37			CK73GB1H102K	CHIP C 1000PF K	
R6			RK73GB2A473J	CHIP R 47K J 1/10W		C38			CK73GB1H682K	CHIP C 6800PF K	
R7			RK73GB2A102J	CHIP R 1.0K J 1/10W		C39			CK73GB1C104K	CHIP C 0.10UF K	
R8			RK73GB2A4R7J	CHIP R 4.7 J 1/10W		C41			CK73GB1A334K	CHIP C 0.33UF K	
R9			RK73GB2A391J	CHIP R 390 J 1/10W		C42-45			CK73GB1C104K	CHIP C 0.10UF K	
R10			RK73GB2A101J	CHIP R 100 J 1/10W		C46			CK73GB1H682K	CHIP C 6800PF K	
R11			RK73GB2A102J	CHIP R 1.0K J 1/10W		C47			CK73GB1C104K	CHIP C 0.10UF K	
R12			RK73GB2A222J	CHIP R 2.2K J 1/10W		C48			CC73GCH1H040C	CHIP C 4.0PF C	
R14			RK73GB2A222J	CHIP R 2.2K J 1/10W		C49			CK73GB1H332K	CHIP C 3300PF K	
R21			RK73FB2B561J	CHIP R 560 J 1/8W		C50			CK73GB1C104K	CHIP C 0.10UF K	
R22-25			RK73FB2B331J	CHIP R 330 J 1/8W		C51			CC73GCH1H330J	CHIP C 33PF J	
R31			RK73GB2A4R7J	CHIP R 4.7 J 1/10W		C52			CK73FB1A225K	CHIP C 2.2UF K	
R32,33			RK73GB2A103J	CHIP R 10K J 1/10W		C53			CK73GB0J105K	CHIP C 1.0UF K	
R34,35			RK73GB2A151J	CHIP R 150 J 1/10W		C54,55			CK73GB1H103K	CHIP C 0.010UF K	
R36			RK73GB2A221J	CHIP R 220 J 1/10W		C56,57			CK73GB1H331K	CHIP C 330PF K	
R37,38			RK73GB2A151J	CHIP R 150 J 1/10W		C58			CK73GB1H472K	CHIP C 4700PF K	
R39			RK73GB2A221J	CHIP R 220 J 1/10W		C59-63			CK73GB1H152K	CHIP C 1500PF K	
R40,41			RK73GB2A391J	CHIP R 390 J 1/10W		C64			CK73GB1C104K	CHIP C 0.10UF K	
R42			RK73GB2A221J	CHIP R 220 J 1/10W		C66			CC73GCH1H120J	CHIP C 12PF J	
R43,44			RK73GB2A391J	CHIP R 390 J 1/10W		C67			CC73GCH1H180J	CHIP C 18PF J	
R45			RK73GB2A221J	CHIP R 220 J 1/10W		C68			CK73GB1H103K	CHIP C 0.010UF K	
S2			S70-0814-05	TACT SWITCH		C69			CK73FB1A225K	CHIP C 2.2UF K	
S1			T99-0449-05	ROTARY ENCODER		C70			CK73FB1A105K	CHIP C 1.0UF K	
D21			MA3091-L	ZENER DIODE		C71			CK73FB0J106M	CHIP C 10UF M	
IC1			LC75808W	MOS-IC		C72			CK73GB1H102K	CHIP C 1000PF K	
IC2			PNA4S22M	ANALOGUE IC		CN1			E41-2083-05	FLAT CABLE CONNECTOR	
IC3			M62333FP	MOS-IC		CN2			E41-2068-05	FLAT CABLE CONNECTOR	
Q2			DTA114EE	DIGITAL TRANSISTOR		CN2			E41-2085-05	FLAT CABLE CONNECTOR	
Q3,4			2SC4617	TRANSISTOR		L1,2			L92-0386-05	CHIP FERRITE	
Q31-39			2SC4617	TRANSISTOR		X1			L77-2808-05	CRYSTAL RESONATOR (16.897849MHZ)	
						X2			L78-0896-05	RESONATOR (16.00MHZ)	
CD PLAYER UNIT (X32-5500-00)						CP1			RK74GA1J104J	CHIP-COM 100K J 1/16W	
C1,2			CK73GB1H222K	CHIP C 2200PF K		CP2,3			RK74GA1J101J	CHIP-COM 100 J 1/16W	
C3,4			CK73GB0J105K	CHIP C 1.0UF K		CP4			RK74GA1J103J	CHIP-COM 10K J 1/16W	
C5			CK73GB1C104K	CHIP C 0.10UF K		CP5			RK74GA1J102J	CHIP-COM 1.0K J 1/16W	
C6			CK73GB1H103K	CHIP C 0.010UF K		CP6			RK74GA1J104J	CHIP-COM 100K J 1/16W	
C7-9			CK73GB0J105K	CHIP C 1.0UF K		CP7			RK74GB1J102J	CHIP-COM 1.0K J 1/16W	
C10-15			CK73GB1C104K	CHIP C 0.10UF K		CP8			RK74GA1J102J	CHIP-COM 1.0K J 1/16W	
C16			CK73FB0J475K	CHIP C 4.7UF K		CP9			RK74GB1J101J	CHIP-COM 100 J 1/16W	
C17			CK73FB0J106M	CHIP C 10UF M		CP10			RK74GB1J103J	CHIP-COM 10K J 1/16W	
C18			CK73GB1C104K	CHIP C 0.10UF K		CP11			RK74GB1J472J	CHIP-COM 4.7K J 1/16W	
C19			CK73FB0J475K	CHIP C 4.7UF K		CP12			RK74GA1J104J	CHIP-COM 100K J 1/16W	
C20			CK73GB1C104K	CHIP C 0.10UF K		CP13,14			RK74GB1J104J	CHIP-COM 100K J 1/16W	
C21			CK73GB1H102K	CHIP C 1000PF K		CP15			RK74GA1J104J	CHIP-COM 100K J 1/16W	
C22,23			CK73GB0J105K	CHIP C 1.0UF K		CP16			RK74GB1J222J	CHIP-COM 2.2K J 1/16W	
C24-27			CK73GB1C104K	CHIP C 0.10UF K		R1			RK73GB2A100J	CHIP R 10 J 1/10W	
C28			CK73FB0J106M	CHIP C 10UF M		R2			R92-3494-05	METAL GLAZE RESISTOR	
C29			CK73GB1C104K	CHIP C 0.10UF K		R3,4			RK73FB2B331J	CHIP R 330 J 1/8W	
						R5			RK73GB2A101J	CHIP R 100 J 1/10W	

PARTS LIST

* New parts

Parts without **Parts No.** are not supplied.

Les articles non mentionnés dans le **Parts No.** ne sont pas fournis.

Teile ohne **Parts No.** werden nicht geliefert.

CD PLAYER UNIT (X32-5500-00)

Ref. No.	A d d	N e w	Parts No.	Description	Desti- nation
R6			RN73GH1J223D	CHIP R 22K D 1/16W	
R7			RK73GB2A104J	CHIP R 100K J 1/10W	
R8			RN73GH1J393D	CHIP R 39K D 1/16W	
R9			RK73GB2A104J	CHIP R 100K J 1/10W	
R10			RK73GB2A101J	CHIP R 100 J 1/10W	
R11,12			RK73GB2A104J	CHIP R 100K J 1/10W	
R13			RK73GB2A102J	CHIP R 1.0K J 1/10W	
R14-17			RK73GB2A104J	CHIP R 100K J 1/10W	
R18			RK73GB2A101J	CHIP R 100 J 1/10W	
R21-23			RK73GB2A103J	CHIP R 10K J 1/10W	
R24,25			RK73GB2A4R7J	CHIP R 4.7 J 1/10W	
R27			RK73GB2A104J	CHIP R 100K J 1/10W	
R28			RK73GB2A103J	CHIP R 10K J 1/10W	
R29			RK73GB2A102J	CHIP R 1.0K J 1/10W	
R31-33			RK73GB2A104J	CHIP R 100K J 1/10W	
R34			RK73GB2A472J	CHIP R 4.7K J 1/10W	
R35			RK73GB2A104J	CHIP R 100K J 1/10W	
R36			RK73FB2B4R7J	CHIP R 4.7 J 1/8W	
R37			RK73GB2A103J	CHIP R 10K J 1/10W	
R38			RK73GB2A221J	CHIP R 220 J 1/10W	
R39			RK73GB2A152J	CHIP R 1.5K J 1/10W	
R40			RK73GB2A274J	CHIP R 270K J 1/10W	
R42			RK73GB2A101J	CHIP R 100 J 1/10W	
R43			RK73GB2A393J	CHIP R 39K J 1/10W	
R44,45			RK73GB2A302J	CHIP R 3.0K J 1/10W	
R46			RK73GB2A105J	CHIP R 1.0M J 1/10W	
R47			RK73GB2A104J	CHIP R 100K J 1/10W	
R48,49			RK73GB2A331J	CHIP R 330 J 1/10W	
R50			RK73GB2A101J	CHIP R 100 J 1/10W	
R51			RK73GB2A392J	CHIP R 3.9K J 1/10W	
R52			RK73GB2A163J	CHIP R 16K J 1/10W	
R53			RK73GB2A123J	CHIP R 12K J 1/10W	
R54			RK73GB2A333J	CHIP R 33K J 1/10W	
R55			RK73GB2A103J	CHIP R 10K J 1/10W	
R56			RK73GB2A123J	CHIP R 12K J 1/10W	
R57,58			RK73GB2A133J	CHIP R 13K J 1/10W	
R59			RK73GB2A472J	CHIP R 4.7K J 1/10W	
R60			RK73GB2A123J	CHIP R 12K J 1/10W	
R61			RK73GB2A183J	CHIP R 18K J 1/10W	
R62			RK73GB2A432J	CHIP R 4.3K J 1/10W	
R63			RK73GB2A133J	CHIP R 13K J 1/10W	
R64			RK73GB2A241J	CHIP R 240 J 1/10W	
R65			RK73GB2A104J	CHIP R 100K J 1/10W	
R66			RK73GB2A472J	CHIP R 4.7K J 1/10W	
R67			RK73GB2A222J	CHIP R 2.2K J 1/10W	
R68,69			RK73GB2A104J	CHIP R 100K J 1/10W	
R70			RK73GB2A102J	CHIP R 1.0K J 1/10W	
S1,2			S68-0863-05	PUSH SWITCH	
S3			S68-0862-05	PUSH SWITCH	
D2			DA204UF	DIODE	
D3			DAN202UF	DIODE	
IC1			91CW12AFG-4VF6	MICROCONTROLLER IC	
IC2			UPD63712GC	MOS-IC	
IC3			TC94A20F-010	MOS-IC	

Ref. No.	A d d	N e w	Parts No.	Description	Desti- nation
IC4			BA5824FP-F	ANALOGUE IC	
IC5			NJM2880U133	ANALOGUE IC	
IC5			NJM2880U33	ANALOGUE IC	
IC6			S-1112B33MCG	ANALOGUE IC	
IC6			XC6219B332MR	ANALOGUE IC	
IC7			S-1112B25MCG	ANALOGUE IC	
IC7			XC6219B252MR	ANALOGUE IC	
IC8			TC7SH08FU	MOS-IC	
IC9			TAR5S33-F	ANALOGUE IC	
Q1			2SK3018F	FET	
Q3			UMD9N	TRANSISTOR	
Q4			2SK3018F	FET	
Q5			UMD9N	TRANSISTOR	
Q6			UMD12N	TRANSISTOR	
Q7			DTC124EUF	DIGITAL TRANSISTOR	
Q8			2SB0970	TRANSISTOR	
Q9,10			DTC114YUAF	DIGITAL TRANSISTOR	
ELECTRIC UNIT (X34-308x-xx)					
C1			C94-0213-05	ELECTRO 2200UF	16WV
C2			CK73GB1H103K	CHIP C 0.010UF	K
C3			CK73GB1H102K	CHIP C 1000PF	K
C4-6			CK73GB1H103K	CHIP C 0.010UF	K
C21			CD04AS1A101M	ELECTRO 100UF	10WV
C22			CD04AS1E100M	ELECTRO 10UF	25WV
C22,23			CD04AS1E100M	ELECTRO 10UF	25WV
C24,25			CD04AS1C100M	ELECTRO 10UF	16WV
C26			CD04AS1E100M	ELECTRO 10UF	25WV
C27			CD04AT1H100M	ELECTRO 10UF	50WV
C28			C90-5635-05	ELECTRO 220UF	16WV
C29			CD04AS1C100M	ELECTRO 10UF	16WV
C31			CK73GB1H103K	CHIP C 0.010UF	K
C32			CK73GB1E223K	CHIP C 0.022UF	K
C33			CD04AS1H010M	ELECTRO 1UF	50WV
C41,42			CD04BF1E101M	ELECTRO 100UF	25WV
C43,44			CD04BF1C221M	ELECTRO 220UF	16WV
C45			CK73GB1A224K	CHIP C 0.22UF	K
C51,52			CK73GB1H103K	CHIP C 0.010UF	K
C111			CK73GB1H102K	CHIP C 1000PF	K
C112,113			CC73GCH1H270J	CHIP C 27PF	J
C114			CK73GB1H103K	CHIP C 0.010UF	K
C115			CD04AS1C100M	ELECTRO 10UF	16WV
C116			CC73GCH1H331J	CHIP C 330PF	J
C117			CD04AS1H2R2M	ELECTRO 2.2UF	50WV
C118			CC73GCH1H681J	CHIP C 680PF	J
C119			CK73GB1H103K	CHIP C 0.010UF	K
C163			CK73GB1H103K	CHIP C 0.010UF	K
C201,202			CD04AS1HR47M	ELECTRO 0.47UF	50WV
C203			CK73GB1H223K	CHIP C 0.022UF	K
C204			CK73GB1H103K	CHIP C 0.010UF	K
C205			CK73GB1A474K	CHIP C 0.47UF	K
C206			CC73GCH1H151J	CHIP C 150PF	J
C207,208			CD04AS1H010M	ELECTRO 1UF	50WV
C209			CD04AS1H2R2M	ELECTRO 2.2UF	50WV
C210			CK73GB1H103K	CHIP C 0.010UF	K

PARTS LIST

* New parts

Parts without **Parts No.** are not supplied.

Les articles non mentionnés dans le **Parts No.** ne sont pas fournis.

Teile ohne **Parts No.** werden nicht geliefert.

ELECTRIC UNIT (X34-308x-xx)

Ref. No.	Add	New	Parts No.	Description	Destination	Ref. No.	Add	New	Parts No.	Description	Destination
C211			CD04AS1A470M	ELECTRO 47UF 10WV		R4			RK73FB2B203J	CHIP R 20K J 1/8W	
C212,213			CK73GB1C104K	CHIP C 0.10UF K		R5,6			RK73GB2A103J	CHIP R 10K J 1/10W	
C214,215			CK73GB1H103K	CHIP C 0.010UF K		R7			RK73GB2A223J	CHIP R 22K J 1/10W	
C216,217			CD04AS1H010M	ELECTRO 1UF 50WV		R8			RD14DB2H332J	SMALL-RD 3.3K J 1/2W	
C218-221			CD04AS1H0R1M	ELECTRO 0.1UF 50WV		R9			RD14BB2C333J	RD 33K J 1/6W	
C251-254			C94-0179-05	ELECTRO 0.22UF 50WV		R10,11			RK73GB2A223J	CHIP R 22K J 1/10W	
C255			CD04AS1H010M	ELECTRO 1UF 50WV		R12			RK73GB2A473J	CHIP R 47K J 1/10W	
C256			CD04AS1C220M	ELECTRO 22UF 16WV		R13			RK73GB2A562J	CHIP R 5.6K J 1/10W	
C257			CK73GB1A105K	CHIP C 1.0UF K		R21			RK73FB2B152J	CHIP R 1.5K J 1/8W	
C258			C94-0048-05	ELECTRO 0.22UF 50WV		R22,23			RD14BB2C472J	RD 4.7K J 1/6W	
C301,302			CD04AS1HR47M	ELECTRO 0.47UF 50WV		R24-28			RK73GB2A103J	CHIP R 10K J 1/10W	K3K5M2 E3
C303			CD04AS1A470M	ELECTRO 47UF 10WV		R25-28			RK73GB2A103J	CHIP R 10K J 1/10W	
C304			CK73GB1H103K	CHIP C 0.010UF K		R31			RK73EB2E103J	CHIP R 10K J 1/4W	
C351-354			CD04AS1C100M	ELECTRO 10UF 16WV		R32			RK73GB2A223J	CHIP R 22K J 1/10W	
C355			CD04AS1A470M	ELECTRO 47UF 10WV	M2	R33			RK73GB2A473J	CHIP R 47K J 1/10W	
C356,357			CK73GB1H103K	CHIP C 0.010UF K		R34			RK73EB2E103J	CHIP R 10K J 1/4W	
C358,359			CD04AS1HR47M	ELECTRO 0.47UF 50WV	M2	R35			RK73GB2A104J	CHIP R 100K J 1/10W	
C360			CK73GB1H103K	CHIP C 0.010UF K	M2	R36			RK73GB2A222J	CHIP R 2.2K J 1/10W	
C401-404			CK73GB1H103K	CHIP C 0.010UF K		R41-44			RK73GB2A473J	CHIP R 47K J 1/10W	
C405			CK73GB0J105K	CHIP C 1.0UF K		R51,52			RK73GB2A222J	CHIP R 2.2K J 1/10W	
C406			CK73GB1C104K	CHIP C 0.10UF K		R53-56			RK73GB2A102J	CHIP R 1.0K J 1/10W	
C407			CC73GCH1H220J	CHIP C 22PF J		R58			RK73GB2A222J	CHIP R 2.2K J 1/10W	
C408			CC73GCH1H270J	CHIP C 27PF J		R59			RK73GB2A101J	CHIP R 100 J 1/10W	
C409			CD04AT0J470M	ELECTRO 47UF 6.3WV		R60			RK73GB2A222J	CHIP R 2.2K J 1/10W	
C500			CK73FB1A225K	CHIP C 2.2UF K		R61,62			RK73GB2A104J	CHIP R 100K J 1/10W	
C501,502			CK73GB1H103K	CHIP C 0.010UF K		R63			RK73GB2A222J	CHIP R 2.2K J 1/10W	
C503			CK73GB1H472K	CHIP C 4700PF K		R64,65			RK73GB2A104J	CHIP R 100K J 1/10W	
CN1			E41-0167-05	PIN ASSY		R67,68			RK73GB2A471J	CHIP R 470 J 1/10W	
CN2			E41-0168-05	FLAT CABLE CONNECTOR		R101			RK73GB2A102J	CHIP R 1.0K J 1/10W	
CN3			E40-3238-05	PIN ASSY	K3K5E3	R102			RK73GB2A471J	CHIP R 470 J 1/10W	
CN4			E40-3241-05	PIN ASSY	M2	R103			RK73GB2A472J	CHIP R 4.7K J 1/10W	
CN5			E40-3260-05	PIN ASSY	K3K5E3	R104			RK73GB2A471J	CHIP R 470 J 1/10W	
CN6			E40-3261-05	PIN ASSY	K3K5E3	R105			RK73GB2A472J	CHIP R 4.7K J 1/10W	
△ J1			E58-0863-15	RECTANGULAR RECEPTACLE		R106			RK73GB2A222J	CHIP R 2.2K J 1/10W	E3
J2			E56-0834-05	CYLINDRICAL RECEPTACLE		R111			RK73GB2A472J	CHIP R 4.7K J 1/10W	
J3			E63-0887-05	PIN JACK		R112-115			RK73GB2A222J	CHIP R 2.2K J 1/10W	
J4			E04-0312-05	RF COAXIAL CABLE RECEPTACLE		R151			RK73GB2A471J	CHIP R 470 J 1/10W	
L1			L33-1170-05	CHOKE COIL ASSY		R152			RK73GB2A102J	CHIP R 1.0K J 1/10W	
L3			L33-1123-05	LINE FILTER COIL		R153			RK73GB2A471J	CHIP R 470 J 1/10W	
L6-11			L40-4795-91	SMALL FIXED INDUCTOR (4.7UH,J)	E3	R154			RK73GB2A102J	CHIP R 1.0K J 1/10W	
L6-8			L40-4795-91	SMALL FIXED INDUCTOR (4.7UH,J)	K3K5M2	R155			RK73GB2A222J	CHIP R 2.2K J 1/10W	
L10,11			L40-4795-91	SMALL FIXED INDUCTOR (4.7UH,J)	K3K5M2	R156-158			RK73GB2A471J	CHIP R 470 J 1/10W	
L12			L33-1925-05	CHOKE COIL		R159			RK73GB2A102J	CHIP R 1.0K J 1/10W	
X1			L78-0821-05	RESONATOR		R160			RK73GB2A222J	CHIP R 2.2K J 1/10W	
X2			L77-2738-05	CRYSTAL RESONATOR		R161			RK73GB2A225J	CHIP R 2.2M J 1/10W	
X3			L77-2002-05	CRYSTAL RESONATOR	E3	R162,163			RK73GB2A104J	CHIP R 100K J 1/10W	
E	2D		N83-3005-46	PAN HEAD TAPTITE SCREW		R164,165			RK73GB2A473J	CHIP R 47K J 1/10W	
H	2D		N80-3008-46	PAN HEAD TAPTITE SCREW		R166			RK73GB2A472J	CHIP R 4.7K J 1/10W	
J	2D		N80-3010-46	PAN HEAD TAPTITE SCREW		R167			RK73GB2A474J	CHIP R 470K J 1/10W	
K	2D		N83-3020-46	PAN HEAD TAPTITE SCREW		R168			RK73GB2A102J	CHIP R 1.0K J 1/10W	
L	2D		N86-2606-46	BINDING HEAD TAPTITE SCREW		R185,186			RK73GB2A474J	CHIP R 470K J 1/10W	
R1			RK73GB2A823J	CHIP R 82K J 1/10W		R187			RK73GB2A222J	CHIP R 2.2K J 1/10W	
R2			RK73GB2A363J	CHIP R 36K J 1/10W		R188			RK73GB2A473J	CHIP R 47K J 1/10W	
R3			RK73GB2A104J	CHIP R 100K J 1/10W		R201			RK73GB2A103J	CHIP R 10K J 1/10W	
						R202-204			RK73GB2A472J	CHIP R 4.7K J 1/10W	

K3 : KDC-MPV525 K5 : KDC-MPV5025 E3 : KDC-WV6027 M2 : KDC-MPV7026

△ Indicates safety critical components.

PARTS LIST

* New parts

Parts without **Parts No.** are not supplied.

Les articles non mentionnés dans le **Parts No.** ne sont pas fournis.

Teile ohne **Parts No.** werden nicht geliefert.

ELECTRIC UNIT (X34-308x-xx)

Ref. No.	A d d	N e w	Parts No.	Description	Desti- nation
R205			RK73GB2A222J	CHIP R 2.2K J 1/10W	
R206-208			RK73GB2A102J	CHIP R 1.0K J 1/10W	E3
R207,208			RK73GB2A102J	CHIP R 1.0K J 1/10W	K3K5M2
R209,210			RK73GB2A103J	CHIP R 10K J 1/10W	
R211,212			RK73GB2A333J	CHIP R 33K J 1/10W	
R251			RK73GB2A473J	CHIP R 47K J 1/10W	
R253			RK73GB2A432J	CHIP R 4.3K J 1/10W	
R254			RK73GB2A100J	CHIP R 10 J 1/10W	
R255			RK73GB2A331J	CHIP R 330 J 1/10W	
R256			RK73GB2A334J	CHIP R 330K J 1/10W	
R257			RK73GB2A153J	CHIP R 15K J 1/10W	
R301,302			RK73EB2E100J	CHIP R 10 J 1/4W	
R303			RK73EB2E101J	CHIP R 100 J 1/4W	
R304,305			RK73EB2E472J	CHIP R 4.7K J 1/4W	
R306			RK73EB2E4R7J	CHIP R 4.7 J 1/4W	
R307-309			RK73EB2E472J	CHIP R 4.7K J 1/4W	
R310,311			RK73EB2E101J	CHIP R 100 J 1/4W	
R312-315			RK73GB2A104J	CHIP R 100K J 1/10W	
R351,352			RK73GB2A361J	CHIP R 360 J 1/10W	
R355,356			RK73GB2A223J	CHIP R 22K J 1/10W	
R357,358			RK73EB2E181J	CHIP R 180 J 1/4W	
R359,360			RK73GB2A361J	CHIP R 360 J 1/10W	
R361,362			RK73GB2A223J	CHIP R 22K J 1/10W	
R363,364			RK73EB2E181J	CHIP R 180 J 1/4W	
R365			RK73FB2B4R7J	CHIP R 4.7 J 1/8W	M2
R366-368			RK73FB2B471J	CHIP R 470 J 1/8W	K3K5E3
R369			RK73EB2E471J	CHIP R 470 J 1/4W	K3K5E3
R370-372			RK73GB2A101J	CHIP R 100 J 1/10W	K3K5E3
R373			RK73GB2A102J	CHIP R 1.0K J 1/10W	M2
R378,379			RK73FB2B100J	CHIP R 10 J 1/8W	M2
R401-406			RK73GB2A104J	CHIP R 100K J 1/10W	
R407			RK73GB2A223J	CHIP R 22K J 1/10W	K3M2E3
R408			RK73GB2A104J	CHIP R 100K J 1/10W	
R409			RK73GB2A153J	CHIP R 15K J 1/10W	
R410			RK73GB2A104J	CHIP R 100K J 1/10W	
R411			RK73GB2A223J	CHIP R 22K J 1/10W	M2E3
R412			RK73GB2A223J	CHIP R 22K J 1/10W	K3K5
R415			RK73GB2A223J	CHIP R 22K J 1/10W	K5E3
R415,416			RK73GB2A223J	CHIP R 22K J 1/10W	K3M2
R417			RK73GB2A223J	CHIP R 22K J 1/10W	K5E3
R419			RK73GB2A223J	CHIP R 22K J 1/10W	K3K5M2
R419,420			RK73GB2A223J	CHIP R 22K J 1/10W	E3
R421			RK73GB2A223J	CHIP R 22K J 1/10W	K3K5M2
R422			RK73GB2A103J	CHIP R 10K J 1/10W	
R423			RK73GB2A223J	CHIP R 22K J 1/10W	K5
W105-109			R92-1252-05	CHIP R 0 OHM J 1/16W	M2
W109			R92-1252-05	CHIP R 0 OHM J 1/16W	K3K5E3
W201-204			R92-1252-05	CHIP R 0 OHM J 1/16W	
S1			S74-0821-05	MICRO SWITCH	
D1			1N5393G-M6	DIODE	
D2-4			MA4068(N)-M	ZENER DIODE	
D21			MA4082(N)-L	ZENER DIODE	
D22-25			AM01ZNF	DIODE	
D26			DAN202U	DIODE	

Ref. No.	A d d	N e w	Parts No.	Description	Desti- nation
D31			HZS5B1	ZENER DIODE	
D41			SFPB-54V	DIODE	
D151-162			DA204K	DIODE	
D163			MA4062-L	ZENER DIODE	
D164			MA4120-L	ZENER DIODE	
D165			MA4062-L	ZENER DIODE	
D166			DA204U	DIODE	
D203-205			DAP202U	DIODE	
D269			1SS133	DIODE	
D271			1SS133	DIODE	
D301			MA4062-L	ZENER DIODE	
D303,304			MA4062-L	ZENER DIODE	
D307,308			MA4062-L	ZENER DIODE	
D309-311			MA4068(N)-M	ZENER DIODE	
D351			MA3062WA	ZENER DIODE	E3
D352			DA204U	DIODE	E3
D356			MA4062-L	ZENER DIODE	M2
D357,358			MA4068(N)-M	ZENER DIODE	M2
D359			DA204U	DIODE	M2
D401			1SS133	DIODE	
IC1			UPD703030GC044	MICROCONTROLLER IC	
IC2			TDA7411	ANALOGUE IC	
IC3			BA4911-V4	ANALOGUE IC	
IC4			TB2903H	ANALOGUE IC	
IC6			HD74HC27FP-E	MOS-IC	
IC7			SAA6581T	ANALOGUE IC	E3
IC8			PST3436UL	MOS-IC	
IC9			SI-8050JD	ANALOGUE IC	
Q1-3			2SC4081	TRANSISTOR	
Q4			2SA1036K	TRANSISTOR	
Q21			2SD2375	TRANSISTOR	
Q22			UMC2N	TRANSISTOR	E3
Q22,23			UMC2N	TRANSISTOR	K3K5M2
Q31			DTC144EUA	DIGITAL TRANSISTOR	
Q41			2SC4081	TRANSISTOR	
Q101			DTC143TUA	DIGITAL TRANSISTOR	E3
Q151			DTA114YUA	DIGITAL TRANSISTOR	
Q152			2SA1576A	TRANSISTOR	
Q153			DTC144EUA	DIGITAL TRANSISTOR	
Q154			2SA1577	TRANSISTOR	
Q201			DTC143TUA	DIGITAL TRANSISTOR	
Q350			DTA124EUA	DIGITAL TRANSISTOR	
Q351,352			DTC143TUA	DIGITAL TRANSISTOR	
Q354			DTA124EUA	DIGITAL TRANSISTOR	
Q355,356			DTC143TUA	DIGITAL TRANSISTOR	
TH1			PRF21BE471QB2	POSITIVE RESISTOR	
A1			X86-3720-11	FRONT-END UNIT	K3K5M2
A1			X86-3722-70	FRONT-END UNIT	E3
DAUGHTER UNIT (X89-2570-10)					
C1			CK73GB1H103K	CHIP C 0.010UF K	
CN1			E41-0169-05	SOCKET FOR PIN ASSY	
J1			E58-0865-05	RECTANGULAR RECEPTACLE	

PARTS LIST

* New parts

Parts without **Parts No.** are not supplied.

Les articles non mentionnés dans le **Parts No.** ne sont pas fournis.

Teile ohne **Parts No.** werden nicht geliefert.

DAUGHTER UNIT (X89-2570-10)

Ref. No.	A d d	N e w	Parts No.	Description	Desti- nation	Ref. No.	A d d	N e w	Parts No.	Description	Desti- nation
R1			RK73EB2E102J	CHIP R 1.0K J 1/4W		B	1B		N09-4472-15	MACHINE SCREW (M1.7X8.0)	
R2-5			RK73EB2E471J	CHIP R 470 J 1/4W		C	2B		N09-6004-05	MACHINE SCREW (M1.7X2.5 IB-L)	
R6,7			RK73EB2E102J	CHIP R 1.0K J 1/4W		E	2B		N09-6007-05	MACHINE SCREW (PAN M2X2)	
R8			RK73EB2E241J	CHIP R 240 J 1/4W		F	1A		N09-6051-05	TAPTITE SCREW (BIND P 2X5)	
R9,10			RK73EB2E471J	CHIP R 470 J 1/4W		G	2A		N19-2163-04	FLAT WASHER	
R11-13			RK73EB2E102J	CHIP R 1.0K J 1/4W		H	1B		N39-2020-46	PAN HEAD MACHIN SCREW	
S1			S70-0871-05	TACT SWITCH		J	1B		N09-6108-05	MACHINE SCREW (M2*3.5TYPE3)	
						K	3B		N09-6155-05	SEMS (TAPTITE SCREW) (PT2X6)	
CD MECHANISM ASSY (X92-4850-00)											
2	1B		A10-4827-32	CHASSIS		DM1	3B		T42-1066-04	DC MOTOR ASSY (SP)	
5	1B	*	D10-4576-73	ARM ASSY		DM2	2B		T42-1067-04	DC MOTOR ASSY (LO)	
8	2A		D10-4579-13	LEVER ASSY		DPU1	2B		X93-2010-00	OPTICAL PICKUP ASSY	
10	2A		D10-4581-13	ARM							
11	2A		D10-4582-13	ARM							
12	3A		D10-4583-03	ARM							
13	3A		D10-4584-03	ARM							
14	3B		D10-4585-03	ARM							
15	2A		D10-4586-13	SLIDER							
16	3B		D10-4587-32	SLIDER							
17	2B		D10-4588-13	SLIDER							
18	2B		D10-4595-04	ARM							
19	3B		D10-4596-14	ARM							
22	2A		D13-2151-04	GEAR							
23	2B		D13-2152-04	GEAR							
24	3B		D13-2153-04	GEAR							
25	3B		D13-2154-04	GEAR							
26	3B		D13-2155-04	WORM							
27	2B		D13-2156-14	GEAR							
28	3B		D13-2157-04	GEAR							
29	3B		D13-2158-04	GEAR							
30	2B		D13-2168-04	GEAR							
31	3B		D13-2171-04	GEAR							
32	2B		D13-2172-03	RACK (GEAR)							
33	2A		D14-0759-04	ROLLER							
35	2B		D21-2382-04	SHAFT							
36	1A		D23-0954-04	RETAINER							
37	1B		D39-0246-05	DAMPER							
38	2B		G01-3072-04	EXTENSION SPRING							
39	2A		G01-3073-04	TORSION COIL SPRING							
40	2A		G01-3074-04	EXTENSION SPRING							
41	1B		G01-3075-14	EXTENSION SPRING							
42	2A		G01-3076-04	EXTENSION SPRING							
43	1B		G01-3077-14	EXTENSION SPRING							
44	2B		G02-1399-04	FLAT SPRING							
45	2B		G02-1408-04	FLAT SPRING							
-			H25-1103-04	PROTECTION BAG (200X250X0.05)							
51	1A		J21-9676-22	MOUNTING HARDWARE							
52	3B		J21-9677-22	MOUNTING HARDWARE							
53	1B		J21-9678-13	MOUNTING HARDWARE							
55	1A		J90-1001-11	GUIDE							
56	1B		J90-1023-03	GUIDE							
A	2B		N09-4460-05	TAPTITE SCREW (OVAL P TAPTIT)							