

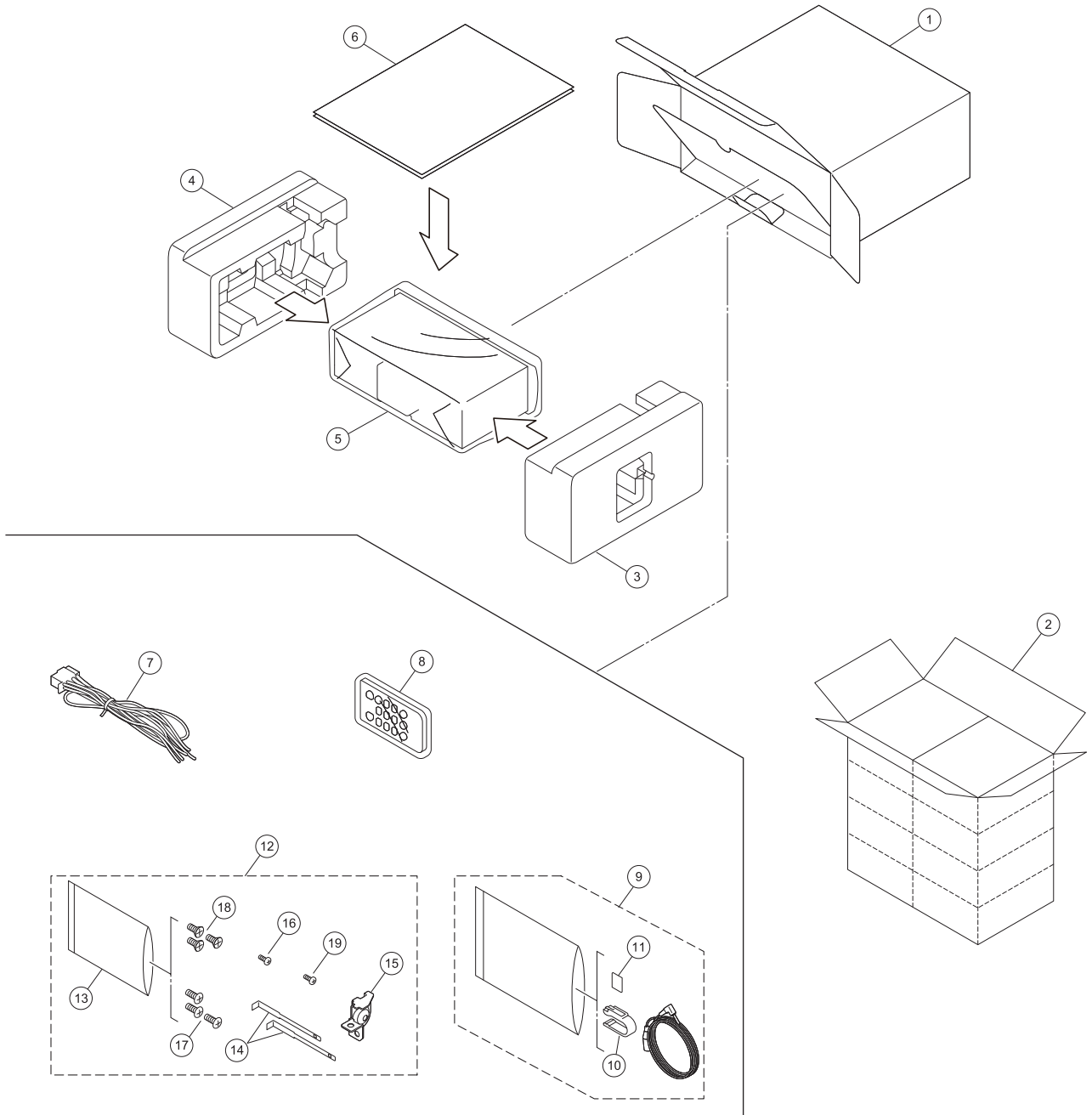


# 9. EXPLODED VIEWS AND PARTS LIST

- NOTES :*
- Parts marked by " \* " are generally unavailable because they are not in our Master Spare Parts List.
  - The  mark found on some component parts indicates the importance of the safety factor of the part. Therefore, when replacing, be sure to use parts of identical designation.
  - Screw adjacent to  mark on the product are used for disassembly.
  - For the applying amount of lubricants or glue, follow the instructions in this manual.  
(In the case of no amount instructions, apply as you think it appropriate.)

## 9.1 PACKING SECTION



## PACKING SECTION PARTS LIST

<u>Mark No.</u>	<u>Description</u>	<u>Part No.</u>	<u>Mark No.</u>	<u>Description</u>	<u>Part No.</u>	
A	1	Unit Box	QH4146	9	Microphone Assy	CPM1109
	2	Contain Box	QHL4146	10	Holder	CZN7192
	3	Protector	QHP3072	11	Cushion	CZN7193
	4	Protector	QHP3070	12	Accessory Assy	QEA3320
	5	Polyethylene Bag	CEG1260	* 13	Polyethylene Bag	CEG1160
	6-1	Quick Start Guide	QRD3533	14	Handle	QNC3119
	* 6-2	Web IM	See Contents of Web IM	15	Bracket	QNC3086
	* 6-3	Warranty Card	QRY3001	16	Screw	BSZ26P060FTC
	7	Cord Assy	CDP1484	17	Screw	CBA2384
	8	Card Remote Control Unit	CXE9605	18	Screw	CBA2383
B				19	Screw	BPZ20P060FTC

### Quick Start Guide

<b>Part No.</b>	<b>Language</b>
QRD3533	English, French, Spanish(Espanol)

C

### CONTENTS OF WEB IM

<b>Part No.</b>	<b>Language</b>
*QRI3027	English, French, Spanish (Espanol)

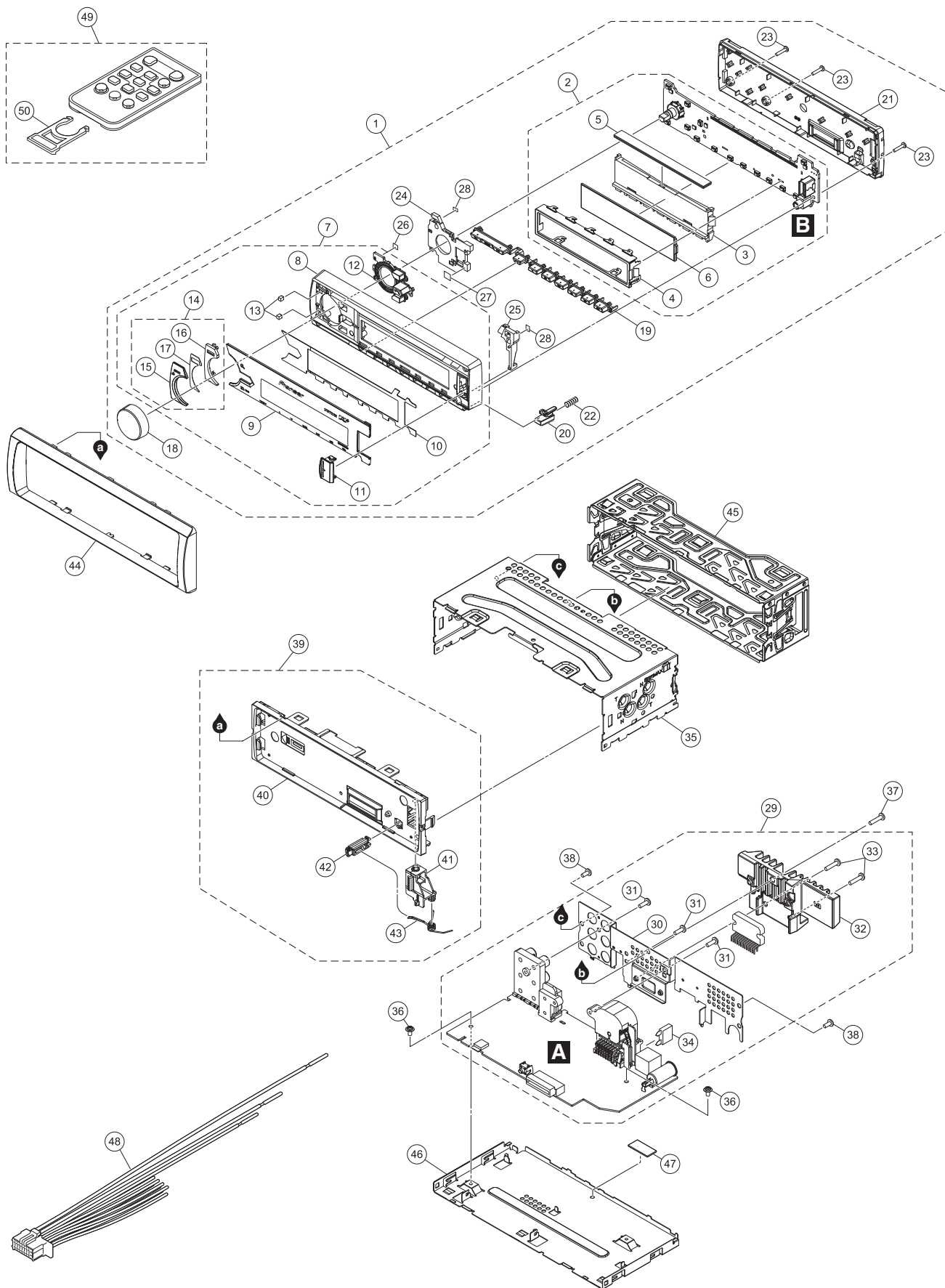
All operation manuals are supplied in PDF files by the WEB. No printed papers are available.

D

E

F

# 9.2 EXTERIOR SECTION



## EXTERIOR SECTION PARTS LIST

	<u>Mark No.</u>	<u>Description</u>	<u>Part No.</u>	<u>Mark No.</u>	<u>Description</u>	<u>Part No.</u>
	1	Detach Grille Assy	QXA5251	46	Case	QNB3054
A	2	Keyboard Unit	QWM4645	47	Heat Cond Sheet	QNM3130
	3	Lighting Conductor	QNV3120	48	Cord Assy	CDP1484
	4	Holder	QNC3120	49	Card Remote Control Unit	CXE9605
	5	Rubber Connector	QNV3126	50	Cover	CNU3681
	6	Segment LCD(V1801)	CAW2057			
	7	Grille Unit	QXA5245			
*	8	Grille	QNS3970			
*	9	Plate	QNS3964			
*	10	DS Tape	QNM3140			
B	11	Door	QAT3033			
*	12	Button(PHONE)	QAC3220			
*	13	Cushion	QNM3142			
*	14	Button Unit(SRC)	QXA4599			
*	15	Plate	QNS3967			
	16	Holder	QNS3968			
*	17	DS Tape	QNM3141			
	18	Knob Unit	QXA4712			
	19	Button(TRACK, 1-6)	QAC3222			
C	20	Button(DETACH)	QAC3224			
	21	Cover	QNS3965			
	22	Spring	CBH2210			
	23	Screw	BPZ20P100FTC			
	24	Lighting Conductor	QNV3117			
	25	Lighting Conductor	QNV3118			
	26	Sheet	QNM3143			
	27	Sheet	QNM3144			
	28	Sheet	QNM3145			
D	29	Tuner Amp Unit	QWM4597			
	30	Holder	QNC3159			
	31	Screw	BPZ26P080FTC			
	32	Heat Sink	QNR3010			
	33	Screw	BSZ26P120FTC			
⚠	34	Fuse (10 A)	YEK5001			
	35	Chassis	QNA3037			
	36	Screw	ASZ26P050FTC			
	37	Screw	BSZ26P120FTC			
E	38	Screw	BSZ26P060FTC			
	39	Panel Assy	QXA4717			
	40	Panel	QNS4072			
	41	Arm	QNV3025			
	42	Button	QNV3026			
	43	Spring	QBH3001			
	44	Panel	QNS3576			
	45	Holder	QNC3118			

F



<u>Circuit Symbol and No.</u>		<u>Part No.</u>			<u>Circuit Symbol and No.</u>	<u>Part No.</u>
L 854	Inductor	LCMAR27J1608	R 294		RS1/16SS4701D	
L 855	Inductor	CTF1786	R 295		RS1/16SS4303D	
L 856	Inductor	CTF1389	R 296		RS1/10SR102J	A
L 860	Inductor	LCYC150K1608	R 304		RS1/16SS273J	
L 951	Inductor	CTF1786				
L 1201	Inductor	CTF1713	R 305		RS1/16SS3001D	
L 1276	Chip Beads	VTL1133	R 306		RS1/16SS1602D	
L 1277	Chip Beads	VTL1133	R 308		RS1/16SS5600D	
L 1292	Chip Beads	VTL1126	R 309		RS1/16SS473J	
L 1293	Chip Beads	VTL1126	R 310		RS1/16SS304J	
L 1294	Chip Beads	VTL1126	R 311	0.030 ohm	CCN1322	
L 1295	Chip Beads	VTL1126	R 314		RS1/4SA331J	
L 1296	Chip Beads	VTL1126	R 316		RS1/16SS560J	
L 1297	Chip Beads	VTL1126	R 317		RS1/16SS0R0J	
T 851	Variable Coil	CTC1215	R 433		RS1/16SS0R0J	B
X 501	Resonator 24 MHz	CSS1773	R 434		RS1/16SS0R0J	
X 502	Resonator 32.768 kHz	CSS1807	R 444		RS1/16SS0R0J	
X 851	Crystal Resonator	CSS1868	R 501		RS1/16SS222J	
S 501	Switch(RESET)	CSG1020	R 502		RS1/16SS0R0J	
P 852	Surge Absorber	IMSA-6803-01Y900	R 503		RS1/16SS221J	
P 1231	Poly Switch	FSMD110-24R	R 506		RS1/16SS473J	
P 1243	Poly Switch	FSMD075-24R	R 507		RS1/16SS473J	
P 1276	Poly Switch	FSMD075-24R	R 508		RS1/16SS473J	
VA1201	SMD Varistor	MLV0402ES012V0010N	R 509		RS1/16SS473J	
VA1202	SMD Varistor	MLV0402ES012V0010N	R 510		RS1/16SS473J	
U 951	BT Module	CWX4751	R 511		RS1/16SS473J	C
CN1201	Connector	CKS6452	R 512		RS1/16SS0R0J	
JA101	Plug	CKM1624	R 513		RS1/16SS222J	
JA851	Antenna Jack	CKX1104	R 514		RS1/16SS101J	
JA1231	Connector	CKS3806	R 515		RS1/16SS103J	
JA1241	Jack	CKB1113	R 516		RS1/16SS101J	
JA1276	Jack	CKN1103	R 517		RS1/16SS103J	
			R 518		RS1/16SS472J	
			R 519		RS1/16SS271J	
			R 520		RS1/16SS101J	
<b><u>RESISTORS</u></b>						
R 111		RS1/16SS223J				
R 112		RS1/16SS473J	R 521		RS1/16SS473J	D
R 113		RS1/16SS682J	R 522		RS1/16SS0R0J	
R 114		RS1/4SA102J	R 524		RS1/16SS3001D	
R 121		RS1/16SS103J	R 525		RS1/16SS103J	
			R 526		RS1/16SS1213F	
R 123		RS1/4SA102J				
R 141		RS1/16SS104J	R 527		RS1/16SS101J	
R 142		RS1/16SS473J	R 528		RS1/16SS222J	
R 201		RS1/10SR104J	R 529		RS1/16SS100J	
R 202		RS1/16SS102J	R 530		RS1/16SS100J	
			R 531		RS1/16SS222J	
R 223		RS1/16SS472J				
R 225		RS1/16SS2203D	R 532		RS1/16SS222J	
R 226		RS1/16SS6802D	R 533		RS1/10SR103J	E
R 227		RS1/10SR471J	R 534		RS1/10SR103J	
R 228		RS1/10SR103J	R 536		RS1/16SS472J	
			R 538		RS1/16SS472J	
R 230		RS1/10SR224J				
R 251		RS1/16SS471J	R 540		RS1/16SS222J	
R 252		RS1/16SS103J	R 541		RS1/16SS472J	
R 255		RS1/10SR0R0J	R 542		RS1/10SR472J	
R 261		RS1/10SR123J	R 545		RS1/16SS473J	
			R 546		RS1/16SS273J	
R 262		RS1/16SS472J				
R 271		RS1/16SS103J	R 547		RS1/16SS473J	
R 272		RS1/10SR221J	R 548		RS1/16SS102J	
R 281		RS1/10SR152J	R 550		RS1/16SS273J	F
R 292		RS1/16SS0R0J	R 551		RS1/16SS103J	
			R 552		RS1/16SS0R0J	
R 293		RS1/16SS2202D				

	<u>Circuit Symbol and No.</u>	<u>Part No.</u>	<u>Circuit Symbol and No.</u>	<u>Part No.</u>
	R 554	RS1/16SS222J		
	R 555	RS1/16SS135J	R 657	RS1/16SS101J
A	R 556	RS1/16SS102J	R 658	RS1/16SS101J
	R 558	RS1/16SS102J	R 659	RS1/16SS101J
	R 560	RS1/16SS473J	R 660	RS1/16SS101J
			R 661	RS1/16SS101J
	R 561	RS1/16SS103J		
	R 562	RS1/16SS0R0J	R 663	RS1/16SS101J
	R 564	RS1/16SS472J	R 664	RS1/16SS101J
	R 565	RS1/16SS0R0J	R 672	RS1/16SS101J
	R 566	RAB4CQ103J	R 676	RS1/16SS472J
			R 677	RS1/16SS472J
	R 570	RS1/16SS221J		
	R 571	RS1/16SS221J	R 678	RS1/16SS472J
	R 572	RS1/16SS102J	R 681	RS1/16SS472J
B	R 573	RS1/16SS473J	R 701	RS1/16SS103J
	R 574	RS1/16SS473J	R 702	RS1/16SS472J
			R 703	RS1/16SS101J
	R 575	RS1/16SS473J		
	R 576	RS1/16SS0R0J	R 704	RS1/16SS0R0J
	R 577	RS1/16SS330J	R 705	RS1/16SS222J
	R 578	RS1/16SS473J	R 706	RS1/16SS222J
	R 579	RS1/16SS473J	R 707	RS1/16SS472J
			R 708	RS1/16SS272J
	R 580	RS1/16SS473J		
	R 584	RS1/16SS102J	R 709	RS1/16SS473J
	R 586	RS1/16SS103J	R 710	RS1/16SS0R0J
	R 587	RS1/16SS0R0J	R 714	RAB4CQ121J
C	R 591	RS1/16SS361J	R 715	RAB4CQ121J
			R 716	RAB4CQ121J
	R 592	RS1/16SS101J		
	R 597	RS1/16SS473J	R 717	RAB4CQ121J
	R 598	RS1/16SS102J	R 718	RAB4CQ121J
	R 599	RS1/16SS102J	R 719	RAB4CQ121J
	R 601	RS1/16SS101J	R 720	RAB4CQ121J
			R 721	RAB4CQ121J
	R 602	RS1/16SS101J		
	R 603	RS1/16SS101J	R 722	RAB4CQ121J
	R 604	RS1/16SS101J	R 724	RS1/16SS121J
	R 605	RS1/16SS101J	R 731	RS1/16SS330J
	R 611	RS1/16SS472J	R 732	RS1/16SS330J
			R 733	RS1/16SS103J
D	R 614	RS1/16SS473J		
	R 615	RS1/16SS103J	R 734	RS1/16SS103J
	R 616	RS1/10SR472J	R 735	RS1/16SS103J
	R 617	RS1/16SS473J	R 736	RS1/16SS330J
	R 621	RS1/16SS0R0J	R 737	RS1/16SS330J
			R 741	RS1/16SS330J
	R 627	RS1/16SS153J		
	R 628	RS1/16SS153J	R 742	RS1/16SS103J
	R 629	RS1/16SS472J	R 743	RS1/16SS103J
	R 630	RS1/16SS473J	R 744	RS1/16SS330J
	R 631	RS1/16SS0R0J	R 745	RS1/16SS330J
			R 746	RS1/16SS103J
E	R 632	RS1/16SS473J		
	R 633	RS1/16SS472J	R 747	RS1/16SS330J
	R 634	RS1/16SS473J	R 748	RS1/16SS330J
	R 635	RS1/16SS473J	R 749	RS1/16SS330J
	R 636	RS1/16SS473J	R 750	RS1/16SS103J
			R 751	RS1/16SS103J
	R 637	RS1/16SS221J		
	R 638	RS1/16SS221J	R 753	RS1/16SS103J
	R 639	RS1/16SS101J	R 761	RS1/10SR221J
	R 642	RS1/16SS221J	R 762	RS1/16SS0R0J
	R 643	RS1/16SS101J	R 763	RS1/16SS101J
			R 764	RS1/16SS101J
	R 644	RS1/16SS473J		
F	R 645	RS1/16SS101J	R 765	RS1/16SS222J
	R 647	RS1/16SS102J	R 767	RS1/16SS104J
	R 648	RS1/16SS102J	R 768	RS1/16SS181J
	R 651	RS1/16SS102J	R 769	RS1/8SQ0R0J

<u>Circuit Symbol and No.</u>	<u>Part No.</u>	<u>Circuit Symbol and No.</u>	<u>Part No.</u>
R 770	RS1/8SQ0R0J	R 1238	RS1/16SS471J
R 771	RS1/8SQ0R0J	R 1239	RS1/16SS104J
R 851	RS1/16SS105J	R 1241	RS1/16SS470J
R 852	RS1/16SS105J	R 1242	RS1/16SS470J
R 853	RS1/16SS391J	R 1243	RS1/16SS470J
R 864	RS1/16SS103J	R 1244	RS1/16SS470J
		R 1245	RS1/16SS470J
R 868	RS1/16SS103J		
R 870	RS1/16SS101J	R 1246	RS1/16SS470J
R 873	RS1/16SS472J	R 1247	RS1/16SS223J
R 874	RS1/16SS101J	R 1248	RS1/16SS223J
R 875	RS1/16SS472J	R 1249	RS1/16SS223J
		R 1250	RS1/16SS223J
R 890	RS1/16SS0R0J		
R 951	RS1/16SS0R0J	R 1251	RS1/16SS223J
R 952	RS1/16SS221J	R 1252	RS1/16SS223J
R 953	RS1/16SS473J	R 1253	RS1/16SS0R0J
R 954	RS1/16SS221J	R 1255	RS1/16SS0R0J
		R 1278	RS1/16SS102J
R 958	RS1/16SS221J		
R 960	RS1/16SS473J	R 1280	RS1/16SS102J
R 961	RS1/16SS473J	R 1281	RS1/16SS101J
R 1101	RS1/16SS123J	R 1282	RS1/16SS101J
R 1102	RS1/16SS103J	R 1284	RS1/16SS0R0J
		R 1285	RS1/16SS0R0J
R 1103	RS1/16SS221J		
R 1106	RS1/16SS103J	<b><u>CAPACITORS</u></b>	
R 1107	RS1/16SS0R0J	C 101	CEHAT222M16
R 1109	RS1/16SS432J	C 102	CKSRYB103K50
R 1110	RS1/16SS432J	C 111	CKSRYX104K50
		C 122	CKSRYX105K50
R 1111	RS1/16SS432J	C 201	CEHAT332M16
R 1112	RS1/16SS432J		
R 1113	RS1/16SS272J	C 202	CKSRYX104K50
R 1114	RS1/16SS272J	C 203	CKSSYB104K10
R 1115	RS1/16SS272J	C 204	CKSQYX106K10
		C 205	CKSYX106K35
R 1116	RS1/16SS272J	C 211	CKSRYX105K16
R 1118	RS1/16SS0R0J		
R 1122	RS1/16SS103J	C 212	CKSRYX105K16
R 1123	RS1/16SS102J	C 213	CKSSYB104K10
R 1125	RS1/4SA0R0J	C 216	CKSRYX105K16
		C 217	CKSRYX105K16
R 1201	RS1/10SR222J	C 218	CKSSYB104K10
R 1203	RS1/16SS223J		
R 1204	RS1/16SS223J	C 221	CKSYX106K35
R 1205	RS1/10SR222J	C 222	CKSRYX105K50
R 1206	RS1/10SR221J	C 223	CKSRYX104K50
		C 224	CKSRYB103K50
R 1207	RS1/10SR221J	C 226	CKSSYB102K50
R 1208	RS1/10SR0R0J		
R 1209	RS1/10SR222J	C 227	CKSRYX475K6R3
R 1210	RS1/10SR222J	C 228	CKSRYX105K16
R 1211	RS1/10SR222J	C 229	CKSSYX105K10
		C 230	CEHVW221M16
R 1212	RS1/10SR222J	C 241	CKSRYB474K16
R 1213	RS1/16SS123J		
R 1214	RS1/10SR222J	C 242	CKSRYB474K16
R 1215	RS1/10SR101J	C 244	CCSSCH470J50
R 1221	RS1/4SA0R0J	C 251	CKSRYX105K50
		C 252	CKSRYX104K50
R 1223	RS1/4SA0R0J	C 261	CKSSYB104K10
R 1231	RS1/16SS181J		
R 1232	RS1/16SS181J	C 262	CKSRYX105K16
R 1233	RS1/16SS223J	C 263	CKSSYB104K10
R 1234	RS1/16SS223J	C 272	CKSQYX106K10
		C 274	CKSQYX106K10
R 1235	RS1/16SS181J	C 281	CKSRYX105K16
R 1236	RS1/16SS181J		
R 1237	RS1/16SS822J	C 282	CKSSYB104K16

Circuit Symbol and No.Part No.Circuit Symbol and No.Part No.

	C 283		CKSRYB104K16		C 542		CKSSYB104K10
	C 291	10 uF	CCG1236		C 543		CKSSYX105K10
A	C 292	10 uF	CCG1236		C 544		CKSSYB473K16
	C 293		CKSQYX106K16		C 545		CCSSCH100D50
					C 546		CCSSCH120J50
	C 294		CCSSCH150J50				
	C 295		CKSRYX105K50		C 551		CKSSYB104K10
	C 299		CKSSYB103K25		C 552		CKSRYX475K6R3
	C 301		CKSSYB153K16		C 553		CKSQYX106K10
	C 302		CKSSYB222K50		C 555		CKSSYB103K16
					C 556		CKSSYB104K10
	C 304		CKSSYB221K50				
	C 305		CKSSYX105K10		C 557		CKSSYB104K10
	C 306		CKSRYB104K16		C 558		CKSSYB104K10
	C 307		CKSYX226M16		C 559		CKSQYB224K50
B	C 308		CKSRYX225K10		C 560		CKSSYB103K16
					C 565		CCSRCH330J50
	C 309		CEHVW101M16				
	C 310		CKSRYB224K16		C 566		CCSRCH330J50
	C 311	10 uF	CCG1236		C 569		CCSSCH101J50
	C 312		CEHVW101M16		C 571		CCSRCH330J50
	C 313	10 uF	CCG1236		C 572		CCSRCH330J50
					C 573		CCSSCH101J50
	C 314		CKSRYX225K10				
	C 318		CCSSCH470J50		C 574		CCSSCH101J50
	C 320		CKSRYX475K10		C 575		CKSSYB104K10
	C 502		CKSSYB104K10		C 577		CCSSCH101J50
	C 503		CKSRYX475K6R3		C 580		CKSRYB104K16
C					C 586		CCSSCH102J50
	C 505		CKSSYB104K10				
	C 506		CKSRYX475K6R3		C 588		CKSSYB104K10
	C 507		CKSRYX475K6R3		C 590		CKSSYB332K50
	C 508		CKSSYB104K10		C 591		CKSSYB332K50
	C 509		CKSRYX475K6R3		C 592		CKSSYB332K50
					C 593		CKSSYB332K50
	C 510		CKSSYB104K10				
	C 511		CKSRYX475K6R3		C 595		CKSSYB332K50
	C 512		CKSSYB104K10		C 701		CKSSYB104K10
	C 513		CKSRYX475K6R3		C 702		CKSSYB104K10
	C 514		CKSSYB104K10		C 711		CKSRYX475K6R3
					C 712		CKSSYX105K10
D	C 517		CKSSYB104K10				
	C 518		CCSSCH100D50		C 713		CKSSYB104K10
	C 519		CCSSCH100D50		C 714		CKSSYX105K10
	C 520		CKSRYX475K6R3		C 715		CKSSYX105K10
	C 521		CKSSYB104K10		C 716		CKSSYX105K10
					C 718		CKSSYB104K10
	C 522		CKSRYX475K6R3				
	C 523		CKSRYX475K6R3		C 719		CKSSYB104K10
	C 524		CKSRYX475K6R3		C 722		CKSSYB104K10
	C 525		CKSRYX106M6R3		C 731		CKSSYB104K10
	C 526		CKSSYB103K16		C 741		CKSRYX225K10
					C 742		CKSSYB104K10
	C 527		CKSRYX106M6R3				
E	C 528		CKSSYB103K16		C 743		CKSSYB104K10
	C 529		CKSSYB104K10		C 744		CKSSYB103K16
	C 530		CKSRYX475K6R3		C 761		CKSRYB105K10
	C 531		CKSSYX105K10		C 762		CKSRYB105K10
					C 763		CKSRYB105K10
	C 532		CKSSYX105K10				
	C 533		CKSRYX475K6R3		C 764		CKSRYB105K10
	C 534		CKSSYB104K10		C 765		CKSRYB105K10
	C 535		CEHVW221M16		C 766		CKSRYB105K10
	C 536		CCSSCH101J50		C 769		CKSRYB105K10
					C 770		CKSRYB105K10
	C 537		CKSSYB103K16				
	C 538		CKSRYX106M6R3		C 771		CKSRYB105K10
F	C 539		CKSSYB103K16		C 772		CKSRYB105K10
	C 540		CKSRYX106M6R3		C 773		CKSRYB105K10
	C 541		CKSSYB222K50		C 774		CCSSCH151J50
					C 775		CCSSCH151J50



**Circuit Symbol and No.****Part No.**

JA 1901 Connector  
 JA 1921 Jack  
 V 1801 Segment LCD

CKS6443  
 CKN1090  
 CAW2057

A

**RESISTORS**

R 1805 RS1/16SS472J  
 R 1821 RS1/16SS273J  
 R 1841 RS1/16SS332J  
 R 1842 RS1/16SS152J  
 R 1843 RS1/16SS332J

R 1844 RS1/16SS152J  
 R 1845 RS1/16SS332J  
 R 1846 RS1/16SS152J  
 R 1847 RS1/16SS470J  
 R 1849 RS1/16SS470J

B

R 1851 RS1/16SS470J  
 R 1865 RS1/16SS332J  
 R 1866 RS1/16SS152J  
 R 1867 RS1/16SS332J  
 R 1868 RS1/16SS152J

R 1869 RS1/16SS332J  
 R 1870 RS1/16SS152J  
 R 1871 RS1/16SS390J  
 R 1873 RS1/16SS390J  
 R 1875 RS1/16SS390J

C

R 1877 RS1/16SS0R0J  
 R 1878 RS1/16SS0R0J  
 R 1879 RS1/16SS0R0J  
 R 1883 RS1/8SQ101J  
 R 1884 RS1/10SR221J

R 1885 RS1/10SR0R0J  
 R 1886 RS1/10SR0R0J  
 R 1887 RS1/16SS101J  
 R 1888 RS1/16SS101J  
 R 1941 RS1/10SR222J

D

R 1942 RS1/10SR222J  
 R 1943 RS1/10SR222J  
 R 1944 RS1/10SR222J  
 R 1953 RS1/10SR101J

**CAPACITORS**

C 1801 CKSRYB105K10  
 C 1802 CKSRYB105K10  
 C 1903 CCSRCH471J50  
 C 1904 CKSRYX105K16  
 C 1905 CKSRYX105K16

C 1906 4.7 uF CCG1212  
 C 1951 CKSQYX106K10  
 C 1952 CCSSCH470J50  
 C 1953 CCSSCH470J50

E

F