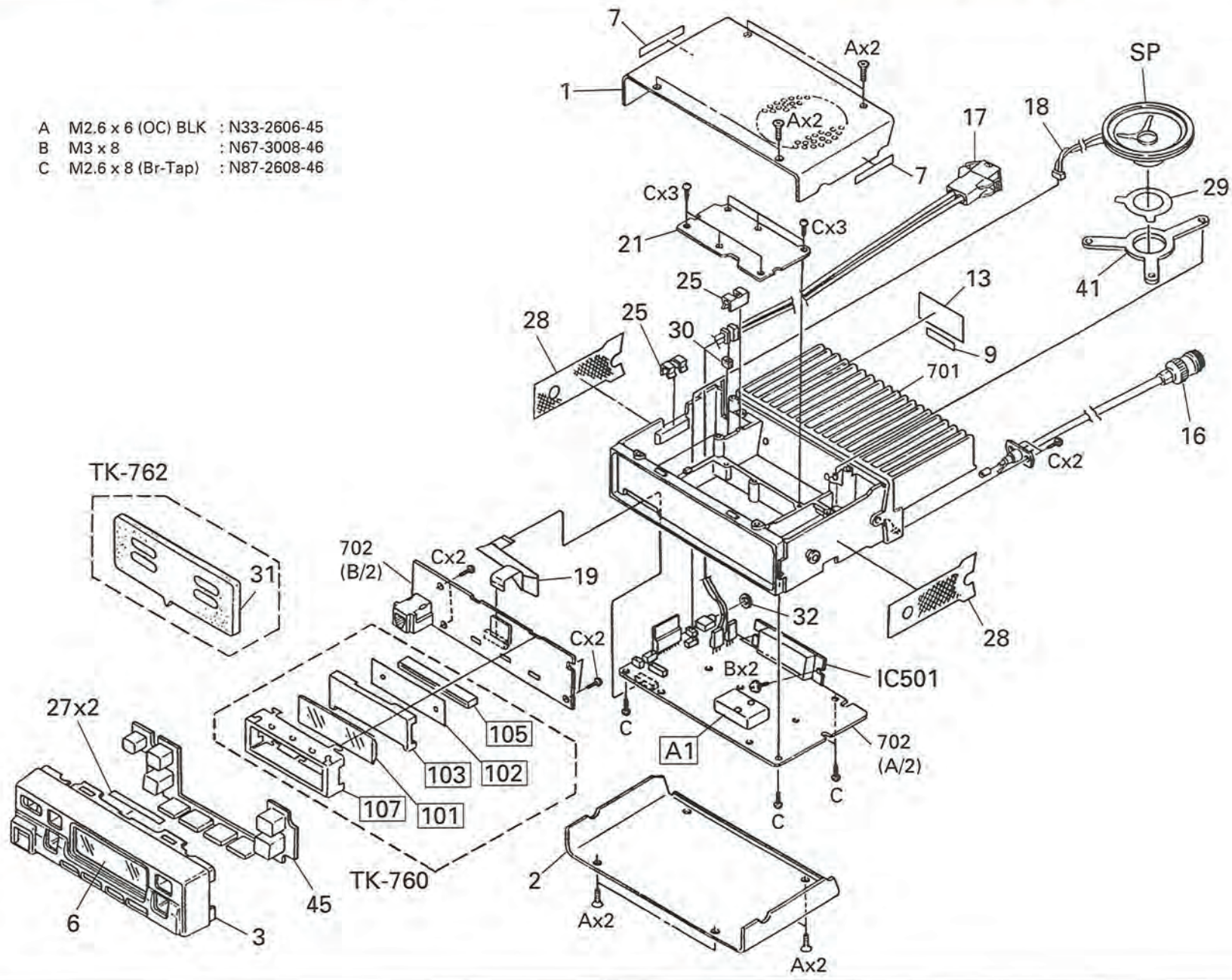


Parts with the exploded numbers larger than 700 are not supplied.

- A M2.6 x 6 (OC) BLK : N33-2606-45
- B M3 x 8 : N67-3008-46
- C M2.6 x 8 (Br-Tap) : N87-2608-46



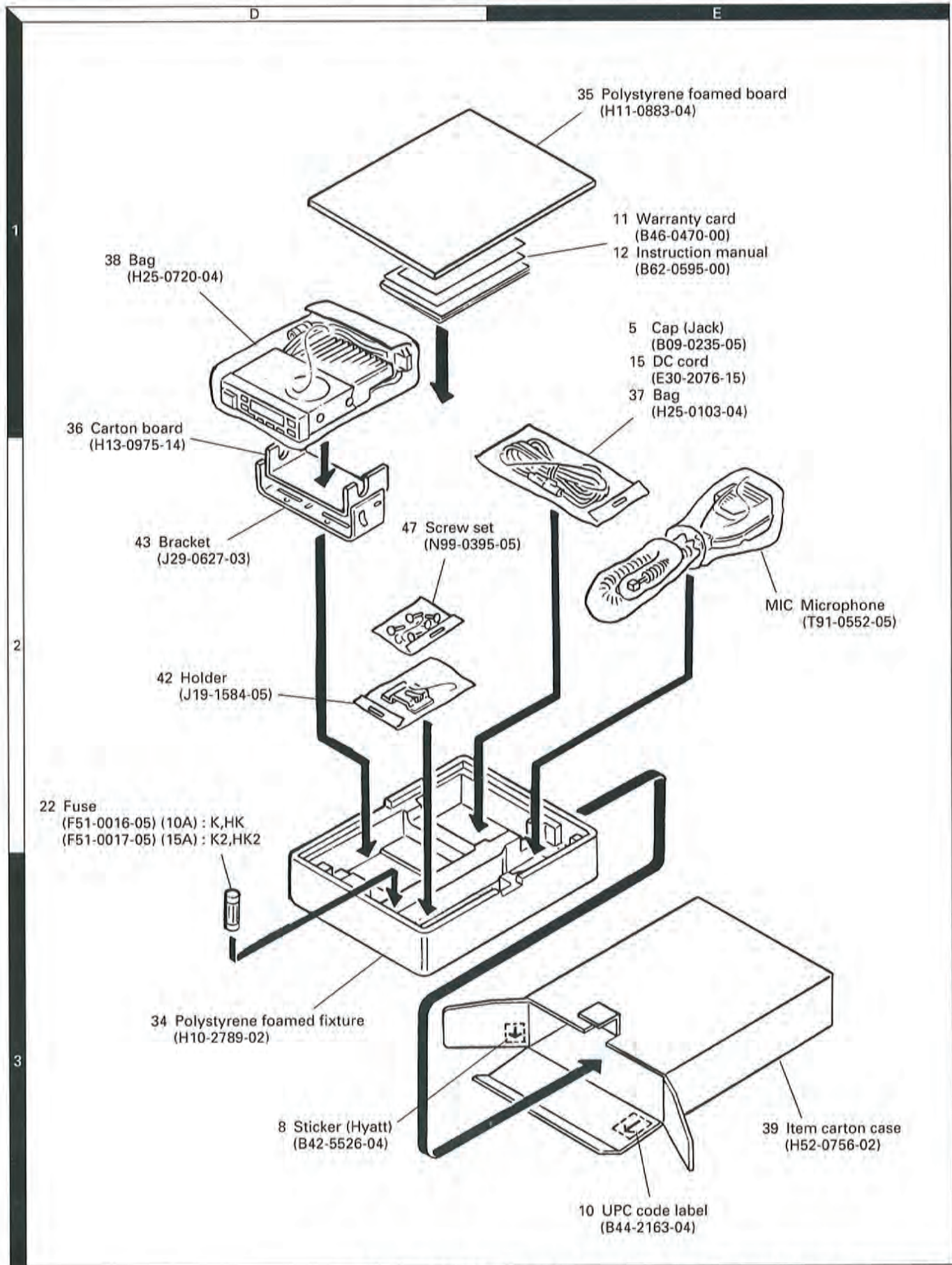
EXPLODED VIEW

TK-760/762

1

2

PACKING



TK-760/762

PARTS LIST

* New Parts. Δ indicates safety critical components.

Parts without **Parts No.** are not supplied.

Les articles non mentionnés dans le **Parts No.** ne sont pas fournis.

Teile ohne **Parts No.** werden nicht geliefert.

L : Scandinavia

Y : PX (Far East, Hawaii)

Y : AAFES (Europe)

K : USA

T : England

X : Australia

P : Canada

E : Europe

M : Other Areas

TK-760/762

TX-RX UNIT (X57-4950-XX)/(X57-5100-XX)

Ref. No.	Address	New parts	Parts No.	Description	Destination	Remarks
TK-760/762						
1	1B	*	A01-2112-03	CABINET (UPPER)		
2	2B	*	A01-2113-03	CABINET (LOWER)		
3	2A	*	A62-0449-13	PANEL ASSY		760
3	2A	*	A62-0450-13	PANEL ASSY		762
5	2E		B09-0235-05	CAP (JACK) ACSY		
6	2A	*	B10-1230-04	FRONT GLASS		760
6	2A	*	B10-1252-04	FRONT GLASS		762
7	1B,1C		B42-2455-04	STICKER (M4x8 MAX)		
8	3E		B42-5526-04	STICKER (HYATT)		
9	1C		B42-5850-04	S/NO LABEL		
10	3E		B44-2163-04	UPC CODE LABEL (ITEM)		
11	1D	*	B46-0470-00	WARRANTY CARD ACSY		
12	1D	*	B62-0595-00	INSTRUCTION MANUAL ACSY		
13	1C	*	B72-1002-04	MODEL NAME PLATE	K	760
13	1C	*	B72-1003-04	MODEL NAME PLATE	K2	760
13	1C	*	B72-1004-04	MODEL NAME PLATE	HK	760
13	1C	*	B72-1005-04	MODEL NAME PLATE	HK2	760
13	1C	*	B72-1006-04	MODEL NAME PLATE	K	762
13	1C	*	B72-1007-04	MODEL NAME PLATE	K2	762
13	1C	*	B72-1008-04	MODEL NAME PLATE	HK	762
13	1C	*	B72-1009-04	MODEL NAME PLATE	HK2	762
15	2E		E30-2076-15	DC CORD ACSY		
16	1C		E30-2145-15	ANTENNA CABLE		
17	1C		E30-2172-15	DC CORD (BODY)		
18	1C		E37-0461-05	LEAD WIRE WITH CONNECTOR (SP)		
19	2B	*	E37-0587-05	FLAT CABLE		
21	1B	*	F10-2202-04	SHIELDING PLATE		
22	3D		F51-0016-05	FUSE (10A : DC CORD)	K, HK	
22	3D		F51-0017-05	FUSE (15A : DC CORD)	K2, HK2	
25	1B	*	G02-0791-04	FLAT SPRING (AVR, APC)		
-	-		G10-0769-04	AUXILIARY PART		
27	2A	*	G10-0710-04	AUXILIARY PART (PANEL)		
28	1B,2C	*	G10-0781-04	AUXILIARY PART (CHASSIS)		
29	1C		G10-0786-04	AUXILIARY PART (SP)		
30	1B		G13-1468-04	FORMED PLATE (DC CORD)		
31	2A	*	G13-1535-04	CUSHION (PANEL)		762
32	2B	*	G53-0796-04	PACKING (JACK)		
34	3D	*	H10-2789-02	POLYSTYRENE FOAMED FIXTURE		
35	1E	*	H11-0883-04	POLYSTYRENE FOAMED BOARD		
36	2D	*	H13-0975-14	CARTON BOARD		
37	2E		H25-0103-04	BAG (DC CORD)		
38	1D		H25-0720-04	BAG (BODY)		
39	3E	*	H52-0756-02	ITEM CARTON CASE		
41	1C		J19-1580-04	HOLDER (SP)		
42	2D	*	J19-1584-05	HOLDER ACSY		
43	2D	*	J29-0627-03	BRACKET ACSY		
45	2A	*	K29-5081-02	KEY TOP (RUBBER)		
A	1B,2B		N33-2606-45	SCREW (CABINET)		
B	2B		N87-3008-46	SCREW (IC)		
C	1B,1C		N87-2608-46	SCREW (PCB, ANT)		

Ref. No.	Address	New parts	Parts No.	Description	Destination	Remarks
47	2D	*	N99-0395-05	SCREW SET ACSY		
MIC	2E	*	T91-0552-05	MICROPHONE ACSY		
SP	1C		T07-0331-05	SPEAKER		
IC501	2B	*	M67741H-32	IC (POWER MODULE)	K	
IC501	2B	*	M67741L-32	IC (POWER MODULE)	K2	
IC501	2B	*	M67781H-32	IC (POWER MODULE)	HK	
IC501	2B	*	M67781L-32	IC (POWER MODULE)	HK2	
TX-RX UNIT (X57-4950-XX) : TK-760						
TX-RX UNIT (X57-5100-XX) : TK-762						
-10 : K -11 : K2 -12 : HK -13 : HK2						
101	2A	*	B11-1148-04	REFLECTOR		760
102	2B	*	B11-1149-04	FILTER		760
103	2A	*	B38-0759-05	LCD		760
C1-10			CK73GB1H102K	CHIP C 1000PF	K	
C12			CK73GB1H102K	CHIP C 1000PF	K	
C15,16			CK73GB1H102K	CHIP C 1000PF	K	
C17			CE04EW1E471M	ELECTRO 470UF	25WV	
C19			CK73GB1H471K	CHIP C 470PF	K	
C20			CK73GB1H102K	CHIP C 1000PF	K	
C23			C92-0512-05	CHIP-TAN 1.0UF	16WV	
C24			C92-0036-05	CHIP-ELE 4.7UF	16WV	
C25			CK73GB1H471K	CHIP C 470PF	K	
C26			CK73GB1H103K	CHIP C 0.010UF	K	
C27			C92-0507-05	CHIP-TAN 4.7UF	6.3WV	
C28			CK73GB1H471K	CHIP C 470PF	K	
C29			C92-0004-05	CHIP-TAN 1.0UF	16WV	
C30,31			CK73FB1E104K	CHIP C 0.10UF	K	
C33			CK73GB1H103K	CHIP C 0.010UF	K	
C35			CK73FB1E104K	CHIP C 0.10UF	K	
C37			CK73GB1H103K	CHIP C 0.010UF	K	
C38			CK73GB1H102K	CHIP C 1000PF	K	
C39			CK73FB1E104K	CHIP C 0.10UF	K	
C41			C92-0507-05	CHIP-TAN 4.7UF	6.3WV	
C42			C92-0543-05	CHIP-TAN 3.3UF	10WV	
C43,44			C92-0507-05	CHIP-TAN 4.7UF	6.3WV	
C46			CK73GB1H102K	CHIP C 1000PF	K	
C47			CK73FF1C105Z	CHIP C 1.0UF	Z	
C48			CK73FB1E104K	CHIP C 0.10UF	K	
C50			CK73FB1E104K	CHIP C 0.10UF	K	
C51			CK73GB1H102K	CHIP C 1000PF	K	
C53			C92-0543-05	CHIP-TAN 3.3UF	10WV	
C54			CC73GCH1H150J	CHIP C 15PF	J	
C55			CC73GCH1H220J	CHIP C 22PF	J	
C57			CC73GCH1H180J	CHIP C 18PF	J	
C58			CK73GB1H103K	CHIP C 0.010UF	K	
C60			CC73GCH1H220J	CHIP C 22PF	J	
C61			C92-0543-05	CHIP-TAN 3.3UF	10WV	
C63			CK73GB1H102K	CHIP C 1000PF	K	
C65,66			CK73GB1H102K	CHIP C 1000PF	K	
C67			C92-0546-05	CHIP-TAN 68UF	6.3WV	
C68,69			CK73GB1H103K	CHIP C 0.010UF	K	
C70			CK73GB1H102K	CHIP C 1000PF	K	

760 : TK-760 (K,K2,HK,HK2)

762 : TK-762 (K,K2,HK,HK2)

PARTS LIST

TX-RX UNIT (X57-4950-XX)

TX-RX UNIT (X57-5100-XX)

Ref. No.	Address	New parts	Parts No.	Description	Desti- nation	Re- marks	Ref. No.	Address	New parts	Parts No.	Description	Desti- nation	Re- marks
C71			C92-0044-05	CHIP-ELE 47UF 10WV			C164		*	C93-0565-05	CHIP C 27PF J		
C73			CK73GB1H471K	CHIP C 470PF K			C167			CK73GB1H102K	CHIP C 1000PF K		
C74			C92-0044-05	CHIP-ELE 47UF 10WV			C175			CK73GB1H471K	CHIP C 470PF K		
C75			C92-0004-05	CHIP-TAN 1.0UF 16WV			C186			CK73FB1E104K	CHIP C 0.10UF K		
C77			CK73GB1H103K	CHIP C 0.010UF K			C187,188			CK73GB1H102K	CHIP C 1000PF K		
C79			C92-0507-05	CHIP-TAN 4.7UF 6.3WV			C201,202			CK73FB1E104K	CHIP C 0.10UF K		
C81			C92-0040-05	CHIP-ELE 47UF 16WV			C203,204			CC73GCH1H120J	CHIP C 12PF J	K,HK	
C82			CK73GB1H103K	CHIP C 0.010UF K			C203,204			CC73GCH1H180J	CHIP C 18PF J	K2,HK2	
C83			CC73GCH1H180J	CHIP C 18PF J			C205-206			CK73GB1H102K	CHIP C 1000PF K		
C84,85			CK73GB1H102K	CHIP C 1000PF K			C212			CK73GB1H471K	CHIP C 470PF K		
C86			CK73GB1H103K	CHIP C 0.010UF K			C213			CC73GCH1H101J	CHIP C 100PF J		
C87			CK73GB1H102K	CHIP C 1000PF K			C214-217			CK73GB1H102K	CHIP C 1000PF K		
C88			CC73GCH1H120J	CHIP C 12PF J			C218			CC73GCH1H270J	CHIP C 27PF J		
C90			CC73GCH1H180J	CHIP C 18PF J			C219			CK73GB1H102K	CHIP C 1000PF K		
C93			CK73FF1C105Z	CHIP C 1.0UF Z			C220			CK73GB1H472K	CHIP C 4700PF K		
C95			CK73GB1H103K	CHIP C 0.010UF K			C221			CC73FCH1H220J	CHIP C 22PF J		
C97			C92-0044-05	CHIP-ELE 47UF 10WV			C222,223			CK73GB1H102K	CHIP C 1000PF K		
C98			CK73GB1H102K	CHIP C 1000PF K			C224			CK73GB1H103K	CHIP C 0.010UF K		
C99			C92-0044-05	CHIP-ELE 47UF 10WV			C225			CC73GCH1H150J	CHIP C 15PF J		
C101			CK73GB1H102K	CHIP C 1000PF K			C226			CK73GB1H103K	CHIP C 0.010UF K		
C102			CK73GB1H103K	CHIP C 0.010UF K			C227			CK73GB1H102K	CHIP C 1000PF K		
C104			CK73GB1H471K	CHIP C 470PF K			C228			CC73GCH1H150J	CHIP C 15PF J		
C105			CK73GB1H103K	CHIP C 0.010UF K			C229			CC73GCH1H150J	CHIP C 15PF J	K,HK	
C108			C92-0040-05	CHIP-ELE 47UF 16WV			C229			CC73GCH1H180J	CHIP C 18PF J	K2,HK2	
C110			CE04EW1A471M	ELECTRO 470UF 10WV			C230			CC73GCH1HR75C	CHIP C 0.75PF C		
C111			CK73FB1E104K	CHIP C 0.10UF K			C231			CC73GCH1H120J	CHIP C 12PF J	K,HK	
C113			CK73GB1H102K	CHIP C 1000PF K			C231			CC73GCH1H180J	CHIP C 18PF J	K2,HK2	
C118			C92-0004-05	CHIP-TAN 1.0UF 16WV			C232			CC73GCH1HR75C	CHIP C 0.75PF C		
C119-121			CK73GB1H102K	CHIP C 1000PF K			C233			CK73GB1H102K	CHIP C 1000PF K		
C123			CK73GB1H102K	CHIP C 1000PF K			C234			CC73GCH1H090D	CHIP C 9.0PF D	K,HK	
C124			CK73GB1H471K	CHIP C 470PF K			C234			CC73GCH1H180J	CHIP C 18PF J	K2,HK2	
C125			C92-0040-05	CHIP-ELE 47UF 16WV			C235-237			CK73GB1H102K	CHIP C 1000PF K		
C126			CK73GB1H102K	CHIP C 1000PF K			C239			CC73FCH1H030C	CHIP C 3.0PF C		
C127			CK73FB1E473K	CHIP C 0.047UF K			C240			CC73GCH1H100D	CHIP C 10PF D		
C128,129			CK73GB1H102K	CHIP C 1000PF K			C241-243			CK73GB1H102K	CHIP C 1000PF K		
C137			C92-0040-05	CHIP-ELE 47UF 16WV			C244-246			CC73GCH1H101J	CHIP C 100PF J		
C138,139			CK73GB1H102K	CHIP C 1000PF K			C247			CK73GB1H102K	CHIP C 1000PF K		
C141			CK73GB1H471K	CHIP C 470PF K			C248			CK73FB1E104K	CHIP C 0.10UF K		
C142			CK73GB1H102K	CHIP C 1000PF K			C249			CK73GB1H102K	CHIP C 1000PF K		
C143			CK73FB1E104K	CHIP C 0.10UF K			C250			C92-0543-05	CHIP-TAN 3.3UF 10WV		
C146			CK73GB1H102K	CHIP C 1000PF K			C251			C92-0536-05	CHIP-TAN 10UF 10WV		
C147			CK73GB1H103K	CHIP C 0.010UF K			C252			CK73GB1H103K	CHIP C 0.010UF K		
C148			CK73GB1H102K	CHIP C 1000PF K			C253,254			CK73GB1H102K	CHIP C 1000PF K		
C151			CK73GB1H102K	CHIP C 1000PF K			C255			C92-0003-05	CHIP-TAN 0.47UF 25WV		
C152			C93-0557-05	CHIP C 7.0pF D	K		C256			CK73GB1H102K	CHIP C 1000PF K		
C152			C93-0561-05	CHIP C 12PF J	K2		C257			C92-0516-05	CHIP-TAN 4.7UF 16WV		
C152	*		C93-0564-05	CHIP C 22PF J	HK2		C258			CK73GB1H102K	CHIP C 1000PF K		
C153			CK73GB1H103K	CHIP C 0.010UF K			C259			C92-0001-05	CHIP-TAN 0.1UF 35WV		
C154			C93-0603-05	CHIP C 1000PF K			C260			CC73GCH1H050C	CHIP C 5.0PF C		
C155			C93-0557-05	CHIP C 7.0PF D	HK		C261			CK73FB1E223K	CHIP C 0.022UF K		
C155			C93-0561-05	CHIP C 12PF J	K		C262			CC73GCH1H020C	CHIP C 2.0PF C		
C155	*		C93-0564-05	CHIP C 22PF J	K2,HK2		C263			C92-0003-05	CHIP-TAN 0.47UF 25WV		
C156	*		C93-0563-05	CHIP C 18PF J	K2,HK2		C264			CC73GCH1H180J	CHIP C 18PF J		
C156	*		C93-0564-05	CHIP C 22PF J	K,HK		C265			CC73GCH1H180J	CHIP C 18PF J	K,HK	
C157	*		C93-0564-05	CHIP C 22PF J			C265			CC73GCH1H220J	CHIP C 22PF J	K2,HK2	
C159			C93-0603-05	CHIP C 1000PF K			C266			CK73GB1H102K	CHIP C 1000PF K		
C160			CC73GCH1H101J	CHIP C 100PF J			C267			C92-0507-05	CHIP-TAN 4.7UF 6.3WV		
C161			C93-0563-05	CHIP C 18PF J			C268			CK73FF1C105Z	CHIP C 1.0UF Z		
C162		*	C93-0567-05	CHIP C 39PF J			C269			CC73GCH1H180J	CHIP C 18PF J	K,HK	

760 : TK-760 (K,K2,HK,HK2)

762 : TK-762 (K,K2,HK,HK2)

PARTS LIST

TX-RX UNIT (X57-4950-XX)

TX-RX UNIT (X57-5100-XX)

Ref. No.	Address	New parts	Parts No.	Description	Destination	Re-remarks	Ref. No.	Address	New parts	Parts No.	Description	Destination	Re-remarks
C269			CC73GCH1H220J	CHIP C 22PF J	K2, HK2		C467			C92-0507-05	CHIP-TAN 4.7UF 6.3WV		
C271			CC73GCH1H0R5B	CHIP C 0.5PF B	HK, HK2		C468			CK73GB1E223K	CHIP C 0.022UF K		
C273			CK73GB1H102K	CHIP C 1000PF K	HK, HK2		C469			CK73GB1C104K	CHIP C 0.10UF K		
C274, 275			CC73GCH1H101J	CHIP C 100PF J			C470			CC73GCH1H101J	CHIP C 100PF J		
C277			CK73GB1H102K	CHIP C 1000PF K			C471			CK73GB1E103K	CHIP C 0.010UF K		
C401, 402			CK73GB1H471K	CHIP C 470PF K			C472-475			CC73GCH1H101J	CHIP C 100PF J		
C403			CK73GB1C104K	CHIP C 0.10UF K			C476-479			CK73GB1H471K	CHIP C 470PF K		762
C404, 405			CK73GB1E123K	CHIP C 0.012UF K			C480			CC73GCH1H030C	CHIP C 3.0PF C		
C406			C92-0543-05	CHIP-TAN 3.3UF 10WV			C481, 482			CC73GCH1H100D	CHIP C 10PF D		
C407, 408			CK73GB1C104K	CHIP C 0.10UF K			C483-485			CK73GB1H471K	CHIP C 470PF K		762
C409			CC73GCH1H101J	CHIP C 100PF J			C486			CK73GB1C104K	CHIP C 0.10UF K		
C410, 411			CK73GB1H471K	CHIP C 470PF K			C487			C92-0012-05	CHIP-TAN 22UF 6.3WV		
C412			C92-0507-05	CHIP-TAN 4.7UF 6.3WV			C488, 489			CK73GB1H471K	CHIP C 470PF K		
C413			CK73GB1E223K	CHIP C 0.022UF K			C490			C92-0507-05	CHIP-TAN 4.7UF 6.3WV		
C414			CC73GCH1H101J	CHIP C 100PF J			C491			CK73GB1C104K	CHIP C 0.10UF K		
C415			C92-0507-05	CHIP-TAN 4.7UF 6.3WV			C492			CC73GCH1H470J	CHIP C 47PF J		
C416			CK73GB1H222K	CHIP C 2200PF K			C493, 494			CK73GB1H103K	CHIP C 0.010UF K		
C417			CK73GB1E223K	CHIP C 0.022UF K									
C418			CK73GB1C273K	CHIP 0.027UF K			105	2B	*	E29-1139-04	INTER CONNECTOR (LCD)		760
C419			CC73GCH1H470J	CHIP C 47PF J			CN1			E40-5737-05	PIN CONNECTOR FOR INSIDE (8P)		
C420			CK73GB1H471K	CHIP C 470PF K			CN2			E40-5738-05	PIN CONNECTOR FOR INSIDE (3P)		
C421			CK73GB1H472K	CHIP C 4700PF K			CN4			E40-3247-05	PIN CONNECTOR FOR INSIDE (3P)		
C422			CK73GB1H471K	CHIP C 470PF K			CN5			E40-3246-05	PIN CONNECTOR FOR INSIDE (2P)		
C423			C92-0507-05	CHIP-TAN 4.7UF 6.3WV			CN6		*	E40-5851-05	FLAT CABLE CONNECTOR (26P)		
C424			CK73GB1H471K	CHIP C 470PF K			CN201			E40-3247-05	PIN CONNECTOR FOR INSIDE (3P)		
C425, 426			CK73GB1C273K	CHIP C 0.027UF K			CN401		*	E40-5851-05	CONNECTOR (26P)		
C427			CK73GB1H102K	CHIP C 1000PF K			J1			E11-0442-05	PHONE JACK (3.5D)		
C428			CK73GB1H471K	CHIP C 470PF K			J401			E08-0673-05	MODULAR JACK		
C430			CK73FF1C105Z	CHIP C 1.0UF Z			F1			F53-0108-05	FUSE (1.8A)		
C431			CK73GB1E223K	CHIP C 0.022UF K			107	2A	*	J21-4479-04	HARDWARE FIXTURE		760
C432			CC73GCH1H100D	CHIP C 10PF D			-			J30-0545-05	SPACER		
C433			CK73GB1H471K	CHIP C 470PF K			-		*	J31-0543-05	COLLAR		762
C434, 435			CK73GB1H682K	CHIP C 6800PF K			CD1			L79-1013-05	DISCL1 (455KHZ)		
C436			C92-0507-05	CHIP-TAN 4.7UF 6.3WV			CF201			L72-0372-05	CERAMIC FILTER (455KHZ)		
C437			C92-0004-05	CHIP-TAN 1.0UF 16WV			CF202			L72-0376-05	CERAMIC FILTER (455KHZ)		
C438			CK73GB1H682K	CHIP C 6800PF K			L1			L40-1092-34	SMALL FIXED INDUCTOR		
C439			CK73GB1E103K	CHIP C 0.010UF K			L2			L40-1005-34	SMALL FIXED INDUCTOR (10UH)		
C440			CC73GCH1H470J	CHIP C 47PF J			L3			L40-1081-37	SMALL FIXED INDUCTOR (0.1UH)		
C441			CK73GB1E103K	CHIP C 0.010UF K			L19		*	L34-4480-05	COIL (5T)		
C442			CK73GB1H471K	CHIP C 470PF K		760	L20		*	L34-4479-05	COIL (2.5T)		HK
C443			CK73GB1H471K	CHIP C 470PF K			L20		*	L34-4481-05	COIL (6T)		K, K2, HK2
C444			CC73FCH1H751J	CHIP C 750PF J			L21		*	L34-4478-05	COIL (9.5T)		
C445			CK73GB1H122K	CHIP C 1200PF K			L22, 23		*	L34-4481-05	COIL (6T)		
C446, 447			CK73GB1H471K	CHIP C 470PF K			L24		*	L34-4478-05	COIL (9.5T)		
C448			CC73GCH1H151J	CHIP C 150PF J			L201			L40-6871-34	SMALL FIXED INDUCTOR (68NH)		
C449			CK73GB1E103K	CHIP C 0.010UF K			L202			L40-8271-34	SMALL FIXED INDUCTOR (82NH)		
C450			CK73GB1H332K	CHIP C 3300PF K			L203			L40-2781-37	SMALL FIXED INDUCTOR (0.27UH)		
C451			C92-0004-05	CHIP-TAN 1.0UF 16WV			L204			L40-3381-37	SMALL FIXED INDUCTOR (0.33UH)		
C452			C92-0536-05	CHIP-TAN 10UF 10WV			L205		*	L34-4472-05	COIL		
C453, 454			CK73GB1C104K	CHIP C 0.10UF K			L206, 207		*	L34-4473-05	COIL		
C455			CK73GB1E103K	CHIP C 0.010UF K			L208		*	L34-4472-05	COIL		
C456, 457			CK73GB1H471K	CHIP C 470PF K			L209		*	L40-1581-37	SMALL FIXED INDUCTOR (0.15UH)		K, HK
C458			CK73GB1E103K	CHIP C 0.010UF K			L209			L40-6872-37	SMALL FIXED INDUCTOR (0.088UH)		K2, HK2
C459			CK73GB1H102K	CHIP C 1000PF K			L210			L40-3971-36	SMALL FIXED INDUCTOR (39NH)		
C460			CK73GB1E103K	CHIP C 0.010UF K			L211			L40-1081-37	SMALL FIXED INDUCTOR (0.1UH)		
C461			CK73GB1H102K	CHIP C 1000PF K			X1		*	L77-1676-05	VCXO (12.8MHZ)		
C462			CK73GB1H472K	CHIP C 4700PF K			X2			L77-1595-05	CRYSTAL RESONATOR (44.595MHZ)		
C463			C92-0606-05	CHIP-TAN 4.7UF 10WV			X401			L77-1630-05	CRYSTAL RESONATOR (8.388MHZ)		
C464-466			CK73GB1E103K	CHIP C 0.010UF K									

760 : TK-760 (K, K2, HK, HK2)

762 : TK-762 (K, K2, HK, HK2)

PARTS LIST

TX-RX UNIT (X57-4950-XX)
TX-RX UNIT (X57-5100-XX)

Ref. No.	Address	New parts	Parts No.	Description	Desti-nation	Re-marks	Ref. No.	Address	New parts	Parts No.	Description	Desti-nation	Re-marks
XF1		*	L71-0476-05	MCF (45.050MHZ)			R81			RK73GB1J102J	CHIP R 1.0K J 1/16W		
XF1		*	L71-0478-05	MCF (45.050MHZ)			R83			RK73GB1J102J	CHIP R 1.0K J 1/16W		
R1			RK73GB1J102J	CHIP R 1.0K J 1/16W			R85			RK73GB1J681J	CHIP R 680 J 1/16W		
R2			R92-1252-05	CHIP R 0 OHM			R86			RK73GB1J102J	CHIP R 1.0K J 1/16W		
R3			RK73GB1J103J	CHIP R 10K J 1/16W			R88			RK73FB2A2R2J	CHIP R 2.2 J 1/10W		
R4			R92-1252-05	CHIP R 0 OHM			R92			RK73GB1J472J	CHIP R 4.7K J 1/16W		
R5,6			R92-0670-05	CHIP R 0 OHM			R93			RK73FB2A102J	CHIP R 1.0K J 1/10W		
R7,8			RK73GB1J102J	CHIP R 1.0K J 1/16W			R94			R92-0685-05	CHIP R 22 J 1/2W		
R9,10			R92-1252-05	CHIP R 0 OHM			R99			RK73FB2A470J	CHIP R 47 J 1/10W		
R11			RK73GB1J224J	CHIP R 220K J 1/16W			R101			RK73FB2A470J	CHIP R 47 J 1/10W		
R12			RK73GB1J102J	CHIP R 1.0K J 1/16W			R102			RK73EB2B181J	CHIP R 180 J 1/8W		
R13			R92-1252-05	CHIP R 0 OHM			R103			RK73EB2B151J	CHIP R 150 J 1/8W		
R14			RK73FB2A102J	CHIP R 1.0K J 1/10W			R104			RK73FB2A103J	CHIP R 10K J 1/10W		
R15			R92-1252-05	CHIP R 0 OHM			R106			RK73FB2A154J	CHIP R 150K J 1/10W		
R16			RK73GB1J103J	CHIP R 10K J 1/16W			R107			RK73FB2A473J	CHIP R 47K J 1/10W		
R17			RK73GB1J104J	CHIP R 100K J 1/16W			R108		*	R92-2554-05	FIXED R 0.047 3W	K,K2	
R18			RK73GB1J123J	CHIP R 12K J 1/16W			R108		*	R92-2562-05	FIXED R 0.047 5W	HK,HK2	
R19			RK73GB1J472J	CHIP R 4.7K J 1/16W			R112			RK73FB2A472J	CHIP R 4.7K J 1/10W	K,K2	
R21			RK73GB1J153J	CHIP R 15K J 1/16W			R112			RK73FB2A473J	CHIP R 47K J 1/10W	HK,HK2	
R22			RK73GB1J104J	CHIP R 100K J 1/16W			R113			RK73FB2A272J	CHIP R 2.7K J 1/10W		
R23			R92-1215-05	CHIP R 470 J 1/2W			R115,116			RK73FB2A472J	CHIP R 4.7K J 1/10W		
R25			RK73GB1J104J	CHIP R 100K J 1/16W	K2,HK2		R117			R92-1268-05	RN 4.7K B 1/8W		
R25			RK73GB1J124J	CHIP R 120K J 1/16W	K,HK		R118			R92-2538-05	RN 3.9K B 1/8W		
R26			RK73GB1J102J	CHIP R 1.0K J 1/16W			R119			R92-1261-05	CHIP R 150 J 1/2W		
R27			RK73GB1J394J	CHIP R 390K J 1/16W			R124			RK73GB1J271J	CHIP R 270 J 1/16W		
R28			RK73GB1J104J	CHIP R 100K J 1/16W			R125			RK73GB1J180J	CHIP R 18 J 1/16W		
R30			RK73GB1J104J	CHIP R 100K J 1/16W			R126			RK73GB1J271J	CHIP R 270 J 1/16W		
R34			RK73GB1J473J	CHIP R 47K J 1/16W			R137			RK73GB1J104J	CHIP R 100K J 1/16W		
R36			RK73GB1J473J	CHIP R 47K J 1/16W			R139			R92-1252-05	CHIP R 0 OHM		
R37			RK73GB1J103J	CHIP R 10K J 1/16W			R140,141			RK73FB2A821J	CHIP R 820 J 1/10W		
R38			RK73GB1J182J	CHIP R 1.8K J 1/16W			R142,143			RK73FB2A100J	CHIP R 10 J 1/10W		
R40			RK73GB1J152J	CHIP R 1.5K J 1/16W			R144			RK73GB1J333J	CHIP R 33K J 1/16W		
R41			RK73GB1J224J	CHIP R 220K J 1/16W			R147			RK73GB1J474J	CHIP R 470K J 1/16W		
R42			RK73GB1J472J	CHIP R 4.7K J 1/16W			R201			RK73GB1J153J	CHIP R 15K J 1/16W		
R44			RK73GB1J220J	CHIP R 22 J 1/16W			R202-205			RK73GB1J223J	CHIP R 22K J 1/16W		
R46			RK73GB1J473J	CHIP R 47K J 1/16W			R206			RK73GB1J153J	CHIP R 15K J 1/16W		
R49			RK73GB1J104J	CHIP R 100K J 1/16W			R207-210			RK73GB1J103J	CHIP R 10K J 1/16W		
R50			RK73GB1J472J	CHIP R 4.7K J 1/16W			R211			RK73GB1J102J	CHIP R 1.0K J 1/16W		
R51			RK73GB1J104J	CHIP R 100K J 1/16W	K,H,K,HK2		R212			RK73GB1J560J	CHIP R 56 J 1/16W		
R51			RK73GB1J333J	CHIP R 33K J 1/16W	K2		R213			RK73GB1J392J	CHIP R 3.9K J 1/16W	K2	
R52			RK73GB1J220J	CHIP R 22 J 1/16W			R218,219			RK73GB1J104J	CHIP R 100K J 1/16W		
R53			RK73GB1J274J	CHIP R 270K J 1/16W			R221			RK73GB1J392J	CHIP R 3.9K J 1/16W		
R55			RK73GB1J332J	CHIP R 3.3K J 1/16W			R222			RK73FB2A222J	CHIP R 2.2K J 1/10W		
R56			R92-1252-05	CHIP R 0 OHM			R223			RK73FB2A103J	CHIP R 10K J 1/10W		
R57			RK73GB1J104J	CHIP R 100K J 1/16W			R224			RK73FB2A100J	CHIP R 10 J 1/10W		
R59			RK73GB1J122J	CHIP R 1.2K J 1/16W			R225			RK73FB2A222J	CHIP R 2.2K J 1/10W		
R60,61			RK73GB1J102J	CHIP R 1.0K J 1/16W			R226			RK73FB2A560J	CHIP R 56 J 1/10W		
R64			RK73GB1J471J	CHIP R 470 J 1/16W			R227			RK73FB2A470J	CHIP R 47 J 1/10W		
R66			RK73GB1J152J	CHIP R 1.5K J 1/16W			R228			RK73FB2A152J	CHIP R 1.5K J 1/10W		
R68			RK73GB1J471J	CHIP R 470 J 1/16W			R229			RK73FB2A100J	CHIP R 10 J 1/10W		
R71			RK73GB1J684J	CHIP R 680K J 1/16W			R230			RK73GB1J331J	CHIP R 330 J 1/16W		
R72			RK73GB1J223J	CHIP R 22K J 1/16W			R231			RK73GB1J101J	CHIP R 100 J 1/16W		
R73			RK73GB1J101J	CHIP R 100 J 1/16W			R232			RK73GB1J151J	CHIP R 150 J 1/16W		
R74			RK73GB1J391J	CHIP R 390 J 1/16W			R234			RK73GB1J473J	CHIP R 47K J 1/16W		
R76			RK73GB1J103J	CHIP R 10K J 1/16W			R235			RK73GB1J333J	CHIP R 33K J 1/16W		
R77			RK73GB1J101J	CHIP R 100 J 1/16W			R236,237			RK73GB1J104J	CHIP R 100K J 1/16W		
R78			RK73GB1J473J	CHIP R 47K J 1/16W			R238			RK73GB1J101J	CHIP R 100 J 1/16W		
R79,80			R92-0670-05	CHIP R 0 OHM			R239			RK73GB1J104J	CHIP R 100K J 1/16W		
							R240			RK73GB1J103J	CHIP R 10K J 1/16W		

760 : TK-760 (K,K2,HK,HK2)

762 : TK-762 (K,K2,HK,HK2)

PARTS LIST

TX-RX UNIT (X57-4950-XX)

TX-RX UNIT (X57-5100-XX)

Ref. No.	Address	New parts	Parts No.	Description	Destination	Re- marks	Ref. No.	Address	New parts	Parts No.	Description	Destination	Re- marks
R241			RK73GB1J680J	CHIP R 68 J 1/16W			R437			RK73GB1J224J	CHIP R 220K J 1/16W		
R242			RK73GB1J184J	CHIP R 180K J 1/16W			R438			RK73GB1J563J	CHIP R 56K J 1/16W		
R243			RK73GB1J103J	CHIP R 10K J 1/16W			R439			RK73GB1J683J	CHIP R 68K J 1/16W		
R244			R92-1252-05	CHIP R 0 OHM			R441			RK73GB1J103J	CHIP R 10K J 1/16W		
R245			RK73GB1J274J	CHIP R 270K J 1/16W			R442			RK73GB1J561J	CHIP R 560 J 1/16W		
R246			RK73GB1J104J	CHIP R 100K J 1/16W			R443			RK73GB1J824J	CHIP R 820K J 1/16W		
R247			R92-1281-05	FIXED R 4.7 1/4W			R444			RK73GB1J224J	CHIP R 220K J 1/16W		
R248			R92-1252-05	CHIP R 0 OHM			R445			RK73GB1J153J	CHIP R 15K J 1/16W		
R250-252			RK73GB1J102J	CHIP R 1.0K J 1/16W			R447			RK73GB1J273J	CHIP R 27K J 1/16W		
R253			RK73GB1J124J	CHIP R 120K J 1/16W			R448			RK73GB1J822J	CHIP R 8.2K J 1/16W		
R254			RK73GB1J101J	CHIP R 100 J 1/16W			R449			RK73GB1J563J	CHIP R 56K J 1/16W		
R255			R92-1252-05	CHIP R 0 OHM			R450			RK73GB1J334J	CHIP R 330K J 1/16W		
R256			RK73GB1J473J	CHIP R 47K J 1/16W			R451			RK73GB1J104J	CHIP R 100K J 1/16W		
R257			RK73GB1J101J	CHIP R 100 J 1/16W			R452			RK73GB1J224J	CHIP R 220K J 1/16W		
R259			RK73GB1J152J	CHIP R 1.5K J 1/16W			R453,454			RK73GB1J824J	CHIP R 820K J 1/16W		
R260			RK73GB1J101J	CHIP R 100 J 1/16W			R455			RK73GB1J100J	CHIP R 10 J 1/16W		760
R261			RK73GB1J122J	CHIP R 1.2K J 1/16W			R456			RK73GB1J822J	CHIP R 8.2K J 1/16W		
R262			RK73GB1J101J	CHIP R 100 J 1/16W			R457,458			RK73GB1J823J	CHIP R 82K J 1/16W		
R263			RK73GB1J103J	CHIP R 10K J 1/16W			R459			RK73GB1J392J	CHIP R 3.9K J 1/16W		760
R264			RK73GB1J223J	CHIP R 22K J 1/16W			R460			RK73GB1J103J	CHIP R 10K J 1/16W		
R265			RK73GB1J330J	CHIP R 33 J 1/16W			R461			RK73GB1J104J	CHIP R 100K J 1/16W		
R266			RK73GB1J104J	CHIP R 100K J 1/16W			R462,463			RK73GB1J683J	CHIP R 68K J 1/16W		
R267			RK73GB1J124J	CHIP R 120K J 1/16W			R464			RK73GB1J223J	CHIP R 22K J 1/16W		
R268			RK73GB1J184J	CHIP R 180K J 1/16W			R465			RK73GB1J682J	CHIP R 6.8K J 1/16W		
R269			RK73GB1J154J	CHIP R 150K J 1/16W			R466			RK73GB1J183J	CHIP R 18K J 1/16W		
R270			R92-1252-05	CHIP R 0 OHM			R467			RK73GB1J103J	CHIP R 10K J 1/16W		
R272			RK73GB1J101J	CHIP R 100 J 1/16W			R468			RK73GB1J223J	CHIP R 22K J 1/16W		
R401			RK73GB1J391J	CHIP R 390 J 1/16W			R469-471			RK73GB1J103J	CHIP R 10K J 1/16W		
R402			RK73GB1J102J	CHIP R 1.0K J 1/16W			R472			RK73GB1J223J	CHIP R 22K J 1/16W		
R403-405			R92-1252-05	CHIP R 0 OHM			R473			R92-1252-05	CHIP R 0 OHM		
R406			RK73GB1J104J	CHIP R 100K J 1/16W			R474			R92-0670-05	CHIP R 0 OHM		
R407			RK73GB1J683J	CHIP R 68K J 1/16W			R475			R92-1252-05	CHIP R 0 OHM		760
R408			RK73GB1J472J	CHIP R 4.7K J 1/16W			R476-478			RK73GB1J473J	CHIP R 47K J 1/16W		760
R409			RK73GB1J563J	CHIP R 56K J 1/16W			R479			RK73GB1J103J	CHIP R 10K J 1/16W		
R410,411			RK73GB1J103J	CHIP R 10K J 1/16W			R480			R92-1252-05	CHIP R 0 OHM		760
R412			RK73GB1J681J	CHIP R 680 J 1/16W			R481-488			RK73GB1J102J	CHIP R 1.0K J 1/16W		
R413			RK73GB1J103J	CHIP R 10K J 1/16W			R489			R92-1252-05	CHIP R 0 OHM		
R414			RK73GB1J473J	CHIP R 47K J 1/16W			R490			RK73GB1J102J	CHIP R 1.0K J 1/16W		
R415			RK73GB1J684J	CHIP R 680K J 1/16W			R491			RK73GB1J473J	CHIP R 47K J 1/16W		
R416			RK73GB1J152J	CHIP R 1.5K J 1/16W			R492			R92-1252-05	CHIP R 0 OHM		
R417			RK73GB1J272J	CHIP R 2.7K J 1/16W			R493			RK73GB1J391J	CHIP R 390 J 1/16W		
R418			RK73GB1J124J	CHIP R 120K J 1/16W			R494-497			RK73GB1J102J	CHIP R 1.0K J 1/16W		
R419			RK73GB1J154J	CHIP R 150K J 1/16W			R498,499			RK73GB1J473J	CHIP R 47K J 1/16W		
R420			R92-1252-05	CHIP R 0 OHM			R500,501			R92-1252-05	CHIP R 0 OHM		
R421			RK73GB1J153J	CHIP R 15K J 1/16W			R502			RK73GB1J105J	CHIP R 1.0M J 1/16W		
R422			RK73GB1J183J	CHIP R 18K J 1/16W			R503			RK73GB1J102J	CHIP R 1.0K J 1/16W		
R423			RK73GB1J223J	CHIP R 22K J 1/16W			R504-507			RK73GB1J221J	CHIP R 220 J 1/16W		762
R424			R92-1252-05	CHIP R 0 OHM			R508			R92-1252-05	CHIP R 0 OHM		
R425			RK73GB1J153J	CHIP R 15K J 1/16W			R509-511			RK73GB1J271J	CHIP R 270 J 1/16W		762
R426			RK73GB1J223J	CHIP R 22K J 1/16W			R512			R92-0670-05	CHIP R 0 OHM		
R427			RK73GB1J274J	CHIP R 270K J 1/16W			R513			RK73GB1J103J	CHIP R 10K J 1/16W		
R428			RK73GB1J333J	CHIP R 33K J 1/16W			R514			RK73GB1J473J	CHIP R 47K J 1/16W		
R429			RK73GB1J224J	CHIP R 220K J 1/16W			R515			RK73GB1J333J	CHIP R 33K J 1/16W		
R430,431			RK73GB1J183J	CHIP R 18K J 1/16W			R516			RK73GB1J563J	CHIP R 56K J 1/16W		
R432			RK73GB1J223J	CHIP R 22K J 1/16W			R517			R92-1252-05	CHIP R 0 OHM		760
R433			RK73GB1J103J	CHIP R 10K J 1/16W			R518			RK73GB1J823J	CHIP R 82K J 1/16W		
R434			RK73GB1J563J	CHIP R 56K J 1/16W			R519			RK73GB1J684J	CHIP R 680K J 1/16W		
R435			RK73GB1J823J	CHIP R 82K J 1/16W			R520			RK73GB1J223J	CHIP R 22K J 1/16W		
R436			RK73GB1J183J	CHIP R 18K J 1/16W			R521			RK73GB1J473J	CHIP R 47K J 1/16W		

760 : TK-760 (K,K2,HK,HK2)

762 : TK-762 (K,K2,HK,HK2)

PARTS LIST

TX-RX UNIT (X57-4950-XX)
TX-RX UNIT (X57-5100-XX)
VCO (X58-4360-XX)

Ref. No.	Address	New parts	Parts No.	Description	Desti-nation	Re-marks	Ref. No.	Address	New parts	Parts No.	Description	Desti-nation	Re-marks
R522			RK73GB1J223J	CHIP R 22K J 1/16W			IC407			NJM78L05UA	IC (VOLTAGE REGULATOR/ +5V)		
R523,524			RK73GB1J473J	CHIP R 47K J 1/16W			IC408		*	RH5VL42C	IC		
R525			RK73GB1J684J	CHIP R 680K J 1/16W			IC409		*	M38267M8L156GP	IC (MPU)		
R526			RK73GB1J224J	CHIP R 220K J 1/16W			IC411			AT240BN10SI2.5	IC (8kbit SERIAL EPROM)		
R527,528			RK73GB1J473J	CHIP R 47K J 1/16W			IC412			NJM4558E	IC (OP AMP X2)		
R529			RK73GB1J683J	CHIP R 68K J 1/16W			Q1			DTA114EU	DIGITAL TRANSISTOR		
R530			RK73GB1J223J	CHIP R 22K J 1/16W			Q2,3			DTC114EU	DIGITAL TRANSISTOR		
VR401		*	R32-0657-05	SEMI FIXED VR 10K			Q4			2SA1641 (S,T)	TRANSISTOR		
VR402		*	R32-0659-05	SEMI FIXED VR 300K			Q5			DTA114YK	DIGITAL TRANSISTOR		
D1			02CZ18 (X,Y)	DIODE			Q6			2SB1132 (Q,R)	TRANSISTOR		
D2			DSA3A1-FK	DIODE	HK,HK2		Q8			2SA1362 (Y)	TRANSISTOR		
D3			MA110	DIODE			Q10,11			DTC114EU	DIGITAL TRANSISTOR		
D3			1SS355	DIODE			Q13			DTC114EK	DIGITAL TRANSISTOR		
D4			02CZ15 (X,Y)	DIODE			Q14			DTD114EK	DIGITAL TRANSISTOR		
D5			MA110	DIODE			Q15			2SC4116 (GR)	TRANSISTOR		
D5			1SS355	DIODE			Q16			2SC2059K (P)	TRANSISTOR		
D6			ERZ-M10DK220	SURGE ABSORBER			Q18			2SC4215 (Y)	TRANSISTOR		
D9-12			DA204K	DIODE			Q20			DTC363EK	DIGITAL TRANSISTOR		
D13			02CZ20 (Y,Z)	DIODE			Q22		*	2SA1757 (E,F)	TRANSISTOR	HK,HK2	
D14		*	DSM3MA1	DIODE	K,K2		Q22			2SB1565 (E,F)	TRANSISTOR	K,K2	
D17			DAN235K	DIODE			Q23			2SC4116 (GR)	TRANSISTOR		
D20			MA4PH633	DIODE			Q24			DTC114EK	DIGITAL TRANSISTOR		
D22			MA110	DIODE			Q25			DTA144EU	DIGITAL TRANSISTOR		
D22			1SS355	DIODE			Q26			DTC114EU	DIGITAL TRANSISTOR		
D24			MIB09	DIODE			Q201			DTA144EK	DIGITAL TRANSISTOR		
D201,202			DAN202K	DIODE			Q202			DTC144EK	DIGITAL TRANSISTOR		
D204			DAN235K	DIODE			Q204			DTC144EK	DIGITAL TRANSISTOR		
D205			DAN202K	DIODE			Q205			2SC3357	TRANSISTOR		
D206,207			DA204K	DIODE			Q206			2SC2954	TRANSISTOR		
D208-210		*	1SV269	DIODE			Q207			SGM2014M	TRANSISTOR		
D211			1SV214	DIODE			Q208			3SK241 (R)	TRANSISTOR		
D212			MA110	DIODE			Q209			2SC2059K (P)	TRANSISTOR		
D212			1SS355	DIODE			Q210			2SC4116 (GR)	TRANSISTOR	HK,HK2	
D213			1SV214	DIODE			Q211			DTC144EK	DIGITAL TRANSISTOR	HK,HK2	
D214			DA204K	DIODE	HK,HK2		Q401		*	2SC4081 (R)	TRANSISTOR		
D215			02CZ12 (X,Y)	DIODE	HK,HK2		Q402		*	2SJ203	FET		
D401,402			DA204K	DIODE			Q403			DTC363EK	DIGITAL TRANSISTOR		
D403			DAN202J	DIODE			Q404			DTA114TK	DIGITAL TRANSISTOR		
D404			DA204K	DIODE			Q405			2SB1132 (Q,R)	TRANSISTOR		760
D405			DA204K	DIODE		760	Q406,407			DTA114TK	DIGITAL TRANSISTOR		
D406-411		*	B30-2140-05	LED		760	Q408,409			DTC144EK	DIGITAL TRANSISTOR		
D412-415		*	B30-2151-05	LED		762	Q410			DTA114TK	DIGITAL TRANSISTOR		
IC1			BU4013BF	IC (D TYPE FLIP FLOP X2)			Q412-418			DTA114EK	DIGITAL TRANSISTOR		762
IC2			NJM4558M	IC (OP AMP X2)			Q419			DTA144EK	DIGITAL TRANSISTOR		
IC3			NJM78L05UA	IC (VOLTAGE REGULATOR/ +5V)			Q420			DTC144EK	DIGITAL TRANSISTOR		
IC4			TA7808S	IC (VOLTAGE REGULATOR/ +8V)			A1	2B	*	X58-4360-10	SUB UNIT (VCO)	K,HK	
IC6			M62363FP	IC (8bit D/A CONVERTER)			A1	2B	*	X58-4360-11	SUB UNIT (VCO)	K2,HK2	
IC7			MC3372V	IC (FM IF)			VCO (X58-4360-XX) -10 : K,HK -11 : K2,HK2						
IC8			NJM2904M	IC (OP AMP X2)			IC1-3			CK73GB1H102K	CHIP C 1000PF	K	
IC10			BU4094BCF	IC (8-STAGE SHIFT/STORE REGISTE			C4			CC73GCH1H151J	CHIP C 150PF	J	K,HK
IC11			LA4422	IC (AF POWER AMP/ 5.8W)			C4			CC73GCH1H470J	CHIP C 47PF	J	K2,HK2
IC13			NJM2904M	IC (OP AMP X2)			C5,6			CC73GCH1H070D	CHIP C 7.0PF	D	K2,HK2
IC14			TA75S01F	IC (OP AMP)			C5,6			CC73GCH1H120J	CHIP C 12PF	J	K,HK
IC201		*	NJM78L09UA	IC (VOLTAGE REGULATOR/ +9V)			C7,8			CK73GB1H102K	CHIP C 1000PF	K	
IC201			TA78L09F	IC (VOLTAGE REGULATOR/ +9V)			C9			CC73GCH1H060D	CHIP C 6.0PF	D	
IC202		*	MC145190F	IC			C10			CC73GCH1H040C	CHIP C 4.0PF	C	K2,HK2
IC401-403			NJM4558E	IC (OP AMP X2)			C10			CC73GCH1H150J	CHIP C 15PF	J	K,HK
IC404			TA75S01F	IC (OP AMP)									
IC405,406			NJM4558E	IC (OP AMP X2)									

PARTS LIST

VCO (X58-4360-XX)

Ref. No.	Address	New parts	Parts No.	Description	Destination	Remarks	Ref. No.	Address	New parts	Parts No.	Description	Destination	Remarks
C11			CC73GCH1H080D	CHIP C 6.0PF D	K2,HK2		R1			RK73GB1J101J	CHIP R 100 J 1/16W		
C11			CC73GCH1H080D	CHIP C 8.0PF D	K,HK		R2			RK73GB1J470J	CHIP R 47 J 1/16W		
C12,13			CK73GB1H102K	CHIP C 1000P F			R3			RK73GB1J181J	CHIP R 180 J 1/16W		
C14			CC73GCH1H010C	CHIP C 1.0PF C			R4			RK73GB1J472J	CHIP R 4.7K J 1/16W		
C15,16			CK73GB1H102K	CHIP C 1000PF K			R5			R92-1252-05	CHIP R 0 OHM		
C17			CK73GB1H103K	CHIP C 0.010UF K			R6			RK73GB1J101J	CHIP R 100 J 1/16W		
C18			CC73GCH1H270J	CHIP C 27PF J	K2,HK2		R7			RK73GB1J183J	CHIP R 18K J 1/16W		
C18			CC73GCH1H560J	CHIP C 56PF J	K,HK		R8			RK73GB1J181J	CHIP R 180 J 1/16W		
C20			CC73GCH1H060D	CHIP C 6.0PF D	K,HK		R9			RK73GB1J470J	CHIP R 47 J 1/16W		
C20			CC73GCH1H1R5C	CHIP C 1.5PF C	K2,HK2		R10			RK73GB1J151J	CHIP R 150 J 1/16W	K,HK	
C21			CK73GB1H103K	CHIP C 0.010UF K			R10			RK73GB1J181J	CHIP R 180 J 1/16W	K2,HK2	
C22			CK73GB1H102K	CHIP C 1000PF K			R11			RK73GB1J473J	CHIP R 47K J 1/16W		
C23			CK73GB1H103K	CHIP C 0.010UF K			R12			RK73GB1J103J	CHIP R 10K J 1/16W		
C24			CC73GCH1H020C	CHIP C 2.0PF C			R13			RK73GB1J101J	CHIP R 100 J 1/16W		
C25			CC73GCH1H150J	CHIP C 15PF J			R14			RK73GB1J390J	CHIP R 39 J 1/16W		
C27			CK73GB1H102K	CHIP C 1000PF K			R15			R92-0670-05	CHIP R 0 OHM		
CN1		*	E40-5915-05	PIN CONNECTOR FOR INSIDE (6P)			D1-4		*	1SV269	VARIABLE CAPACITANCE DIODE		
-		*	F10-2204-04	SHIELDING CASE			Q1			UMG1	TRANSISTOR		
L1,2			L33-1268-05	CHOKE COIL (10UH)			Q2			2SK508NV (K52)	FET		
L3			L34-4449-05	COIL		K2,HK2	Q3			2SC4215 (Y)	TRANSISTOR		
L3		*	L34-4485-05	COIL		K,HK	Q4			DTC114EU	DIGITAL TRANSISTOR		
L4-8			L33-1268-05	CHOKE COIL (10UH)			Q5			2SK508NV (K52)	FET		
L9		*	L34-4429-05	COIL		K,HK							
L9		*	L34-4484-05	COIL		K2,HK2							
L10			L40-1081-34	SMALL FIXED INDUCTOR (100NH)									

760 : TK-760 (K,K2,HK,HK2)
762 : TK-762 (K,K2,HK,HK2)