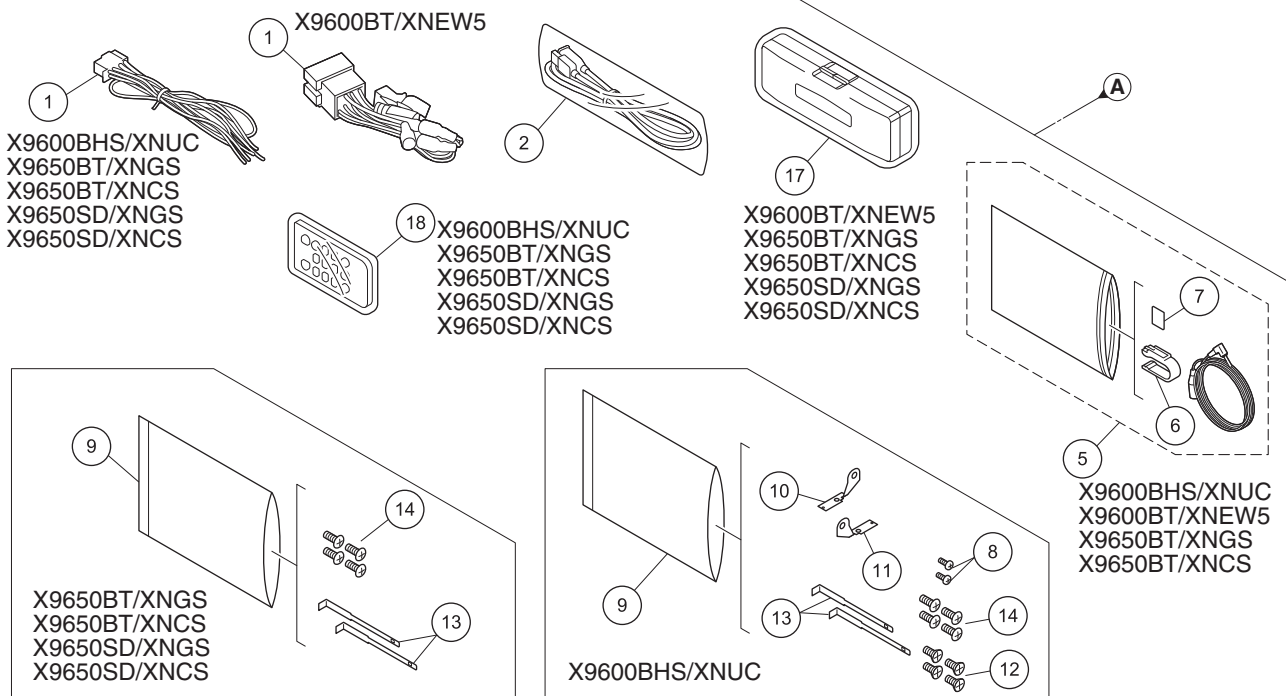
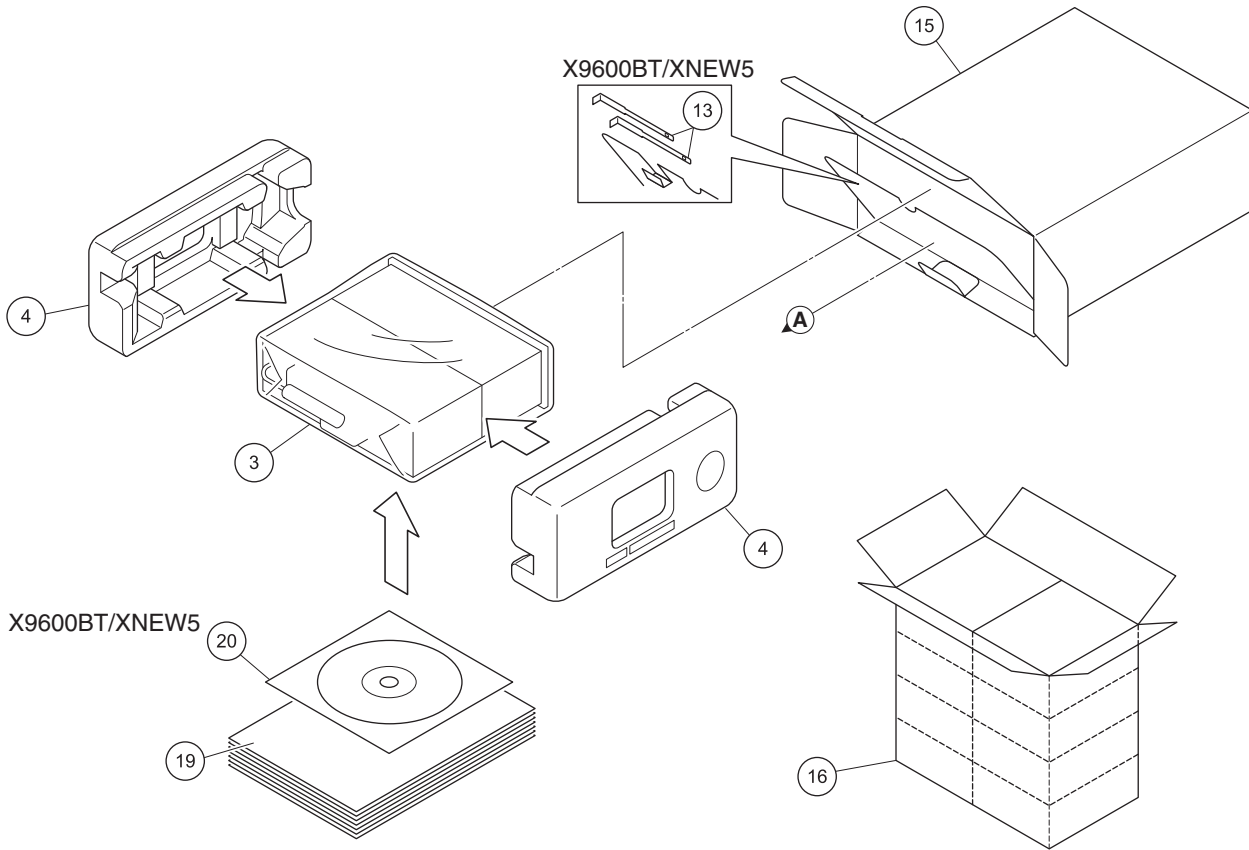


9. EXPLODED VIEWS AND PARTS LIST

NOTES : • Parts marked by " * " are generally unavailable because they are not in our Master Spare Parts List.

- The mark found on some component parts indicates the importance of the safety factor of the part. Therefore, when replacing, be sure to use parts of identical designation.
- Screw adjacent to mark on the product are used for disassembly.
- For the applying amount of lubricants or glue, follow the instructions in this manual. (In the case of no amount instructions, apply as you think it appropriate.)

9.1 PACKING



PACKING SECTION PARTS LIST

Mark	No.	Description	DEH-X9600BHS/XNUC	DEH-X9600BT/XNEW5	DEH-X9650BT/XNGS
	1	Cord Assy	CDP1484	QDP3024	CDP1484
	2	USB Extended Cable	CDP1587	CDP1587	CDP1587
	3	Polyethylene Bag	CEG1173	QEG3001	QEG3001
	4	Protector	CHP4594	CHP4594	CHP4594
	5	Microphone Assy	CPM1083	CPM1083	CPM1083
	6	Holder	CZN7192	CZN7192	CZN7192
	7	Cushion	CZN7193	CZN7193	CZN7193
	8	Screw	BPZ20P060FTC	Not used	Not used
	9	Polyethylene Bag	CEG1160	Not used	CEG1160
	10	Holder	CND1249	Not used	Not used
	11	Holder	CND1250	Not used	Not used
	12	Screw	CRZ50P090FTC	Not used	Not used
	13	Handle	QNC3021	QNC3021	QNC3021
	14	Screw	TRZ50P080FTC	Not used	TRZ50P080FTC
	15	Unit Box	QHG3594	QHG3595	QHG3597
	16	Contain Box	QHL3594	QHL3595	QHL3597
	17	Case Assy	Not used	QXA3129	QXA3129
	18	Card Remote Control Unit	QXE1044	Not used	QXE1044
	19-1	Owner's Manual	QRD3228	QRB3364	QRD3230
*	19-2	Warranty Card	QRY3001	CRY1376	Not used
*	19-3	Caution Card	Not used	CRP1438	Not used
*	19-4	Caution Card	Not used	CRP1441	Not used
	19-5	Quick Start Guide	Not used	QRD3224	Not used
	19-6	Installation Manual	Not used	QRD3226	Not used
	20	IM CD-ROM	Not used	QPJ3023	Not used

Mark	No.	Description	DEH-X9650BT/XNCS	DEH-X9650SD/XNGS	DEH-X9650SD/XNCS
	1	Cord Assy	CDP1484	CDP1484	CDP1484
	2	USB Extended Cable	CDP1587	CDP1587	CDP1587
	3	Polyethylene Bag	QEG3001	QEG3001	QEG3001
	4	Protector	CHP4594	CHP4594	CHP4594
	5	Microphone Assy	CPM1083	Not used	Not used
	6	Holder	CZN7192	Not used	Not used
	7	Cushion	CZN7193	Not used	Not used
	8	Screw	Not used	Not used	Not used
	9	Polyethylene Bag	CEG1160	CEG1160	CEG1160
	10	Holder	Not used	Not used	Not used
	11	Holder	Not used	Not used	Not used
	12	Screw	Not used	Not used	Not used
	13	Handle	QNC3021	QNC3021	QNC3021
	14	Screw	TRZ50P080FTC	TRZ50P080FTC	TRZ50P080FTC
	15	Unit Box	QHG3596	QHG3599	QHG3598
	16	Contain Box	QHL3596	QHL3599	QHL3598
	17	Case Assy	QXA3129	QXA3129	QXA3129
	18	Card Remote Control Unit	QXE1044	QXE1047	QXE1047
	19-1	Owner's Manual	QRD3229	QRD3230	QRD3229
*	19-2	Warranty Card	Not used	Not used	Not used
*	19-3	Caution Card	Not used	Not used	Not used
*	19-4	Caution Card	Not used	Not used	Not used
	19-5	Quick Start Guide	Not used	Not used	Not used
	19-6	Installation Manual	Not used	Not used	Not used
	20	IM CD-ROM	Not used	Not used	Not used

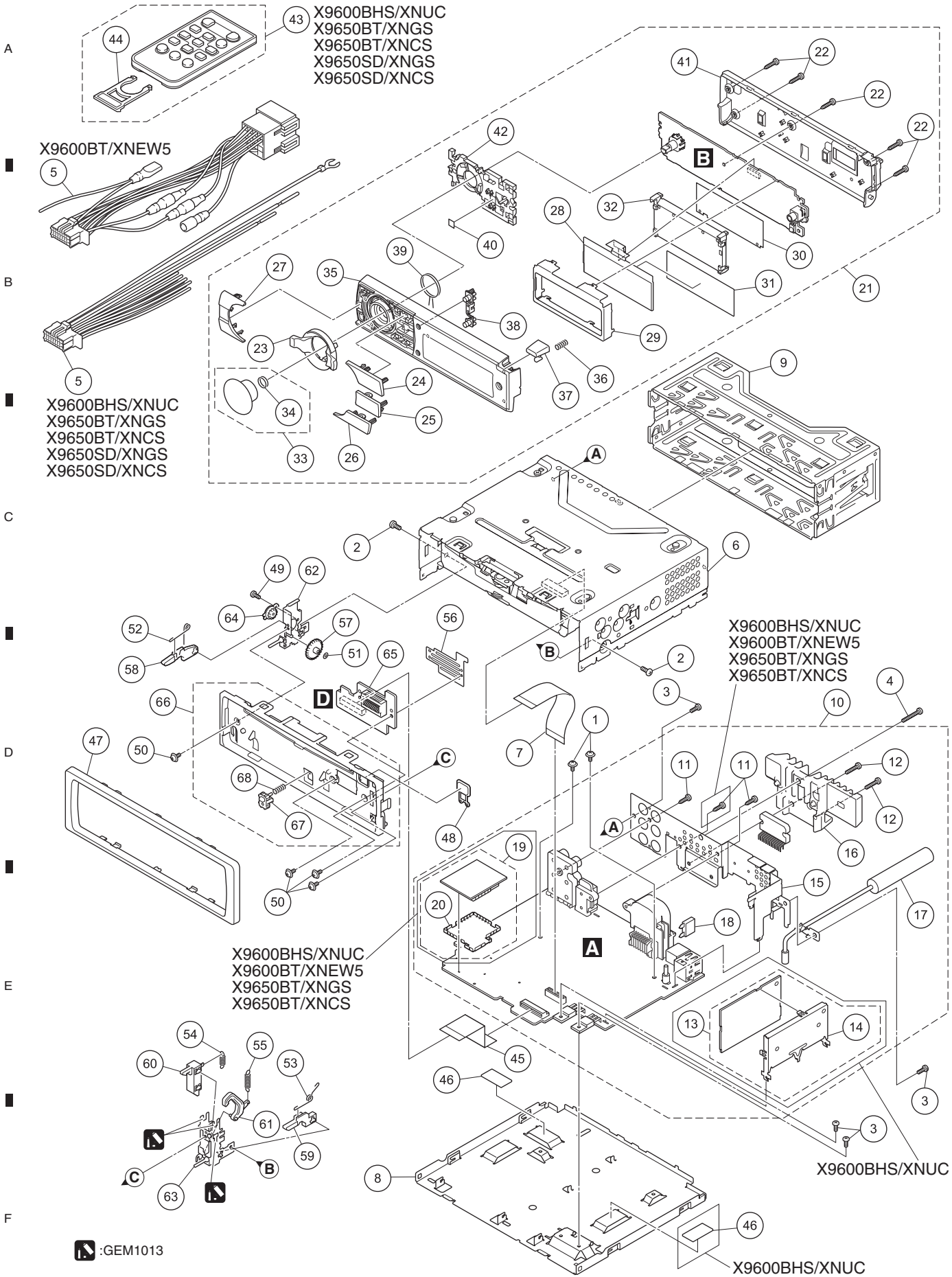
9.2 EXTERIOR

1

2

3

4



X9600BHS/XNUC
X9650BT/XNGS
X9650BT/XNCS
X9650SD/XNGS
X9650SD/XNCS

X9600BT/XNEW5

X9600BHS/XNUC
X9650BT/XNGS
X9650BT/XNCS
X9650SD/XNGS
X9650SD/XNCS

X9600BHS/XNUC
X9600BT/XNEW5
X9650BT/XNGS
X9650BT/XNCS

X9600BHS/XNUC
X9600BT/XNEW5
X9650BT/XNGS
X9650BT/XNCS

X9600BHS/XNUC

X9600BHS/XNUC

:GEM1013

DEH-X9600BHS/XNUC

1

2

3

4

(1) EXTERIOR SECTION PARTS LIST

<u>Mark No.</u>	<u>Description</u>	<u>Part No.</u>	<u>Mark No.</u>	<u>Description</u>	<u>Part No.</u>
1	Screw	ASZ26P050FTC	50	Screw (M2 x 4.5)	CBA1925
2	Screw	BMZ30P040FTC			
3	Screw	BSZ26P060FTC	51	Washer	CBF1038
4	Screw	BSZ26P120FTC	52	Spring	CBH2650
5	Cord Assy	See Contrast table (2)	53	Spring	CBH2651
			54	Spring	CBH2652
6	CD Machanism Module(S11.6)	CXK5804	55	Spring	CBH2653
7	FFC	QDE3029			
8	Case	See Contrast table (2)	56	Holder	CND1254
9	Holder	QNC3020	57	Gear	CNV5997
10	Tuner Amp Assy	See Contrast table (2)	58	Arm	CNV7400
			59	Arm	CNV7401
11	Screw	BPZ26P080FTC	60	Arm	CNV7402
12	Screw	BSZ26P120FTC			
13	WWR Core Tuner Unit	See Contrast table (2)	61	Arm	CNV7403
14	Holder	See Contrast table (2)	62	Holder Unit	CXB9501
15	Holder	See Contrast table (2)	63	Holder Unit	CXB9502
			64	Damper Unit	CXB9503
16	Heat Sink	See Contrast table (2)	65	Panel Unit	YWM5577
17	Antenna Attached Cable	YDH5001			
⚠ 18	Fuse (10A)	YEK5001	66	Panel Unit	See Contrast table (2)
19	BT Module	See Contrast table (2)	67	Button	YAC5395
20	Shield Case	See Contrast table (2)	68	Spring	YBH5013
21	Detachable Grille Assy	See Contrast table (2)			
22	Screw	BPZ20P100FTC			
23	Lever	QAA3030			
24	Button (DISP)	QAC3107			
25	Button (MIX)	See Contrast table (2)			
26	Button (BAND)	See Contrast table (2)			
27	Button (SRC)	See Contrast table (2)			
28	LCD	CAW2042			
29	Holder	YNC5097			
30	Sheet	YNM5174			
31	Sheet	YNM5199			
32	Plate Unit	YXA5834			
33	Knob Unit	QXA3804			
34	Spring	YBL5010			
35	Grille Unit	See Contrast table (2)			
36	Spring	XBH7001			
37	Button (DETACH)	YAC5447			
38	Button (UP, DOWN)	YAC5448			
39	Spring	YBH5016			
40	Sheet	YNM5195			
41	Cover	YNS5657			
42	Lighting Conductor	YNV5226			
43	Card Remote Control Unit	See Contrast table (2)			
44	Cover	See Contrast table (2)			
45	FFC	YDE5097			
46	Sheet	QNM3105			
47	Panel	YNS5687			
48	Button (EJECT)	CAC7752			
49	Screw (M2 x 4)	CBA1649			

(2) CONTRAST TABLE

DEH-X9600BHS/XNUC, DEH-X9600BT/XNEW5, DEH-X9650BT/XNGS, DEH-X9650BT/XNCS, DEH-X9650SD/XNGS and DEH-X9650SD/XNCS are constructed the same except for the following:

Mark	No.	Description	DEH-X9600BHS/XNUC	DEH-X9600BT/XNEW5	DEH-X9650BT/XNGS
A	5	Cord Assy	CDP1484	QDP3024	CDP1484
	8	Case	QNB3017	QNB3018	QNB3018
	10	Tuner Amp Assy	QWM3792	QWM3789	QWM3790
	13	WWR Core Tuner Unit	CWE2364	Not used	Not used
	14	Holder	CND6449	Not used	Not used
	15	Holder	QNC3064	YNC5100	YNC5100
	16	Heat Sink	QNR3010	QNR3010	QNR3002
	19	BT Module	YWX5048	YWX5048	YWX5048
	20	Shield Case	YNC5123	YNC5123	YNC5123
	21	Detachable Grille Assy	QXA4095	QXA4096	QXA4106
	B	25	Button (MIX)	QAC3116	QAC3114
26		Button (BAND)	QAC3119	QAC3108	QAC3117
27		Button (SRC)	QAC3157	QAC3158	QAC3159
35		Grille Unit	QXA4103	QXA4104	QXA4104
43		Card Remote Control Unit	QXE1044	Not used	QXE1044
44		Cover	CNS7068	Not used	CNS7068
66		Panel Unit	YXA5858	YXA5832	YXA5832

Mark	No.	Description	DEH-X9650BT/XNCS	DEH-X9650SD/XNGS	DEH-X9650SD/XNCS
C	5	Cord Assy	CDP1484	CDP1484	CDP1484
	8	Case	QNB3018	QNB3018	QNB3018
	10	Tuner Amp Assy	QWM3791	QWM3787	QWM3788
	13	WWR Core Tuner Unit	Not used	Not used	Not used
	14	Holder	Not used	Not used	Not used
	15	Holder	YNC5100	YNC5099	YNC5099
	16	Heat Sink	QNR3010	QNR3002	QNR3010
	19	BT Module	YWX5048	Not used	Not used
	20	Shield Case	YNC5123	Not used	Not used
	21	Detachable Grille Assy	QXA4097	QXA4098	QXA4114
	D	25	Button (MIX)	QAC3116	QAC3116
26		Button (BAND)	QAC3117	QAC3118	QAC3118
27		Button (SRC)	QAC3159	QAC3160	QAC3160
35		Grille Unit	QXA4105	QXA4104	QXA4104
43		Card Remote Control Unit	QXE1044	QXE1047	QXE1047
44		Cover	CNS7068	CNS7068	CNS7068
66		Panel Unit	YXA5832	YXA5832	YXA5832

9.3 CD MECHANISM MODULE

A

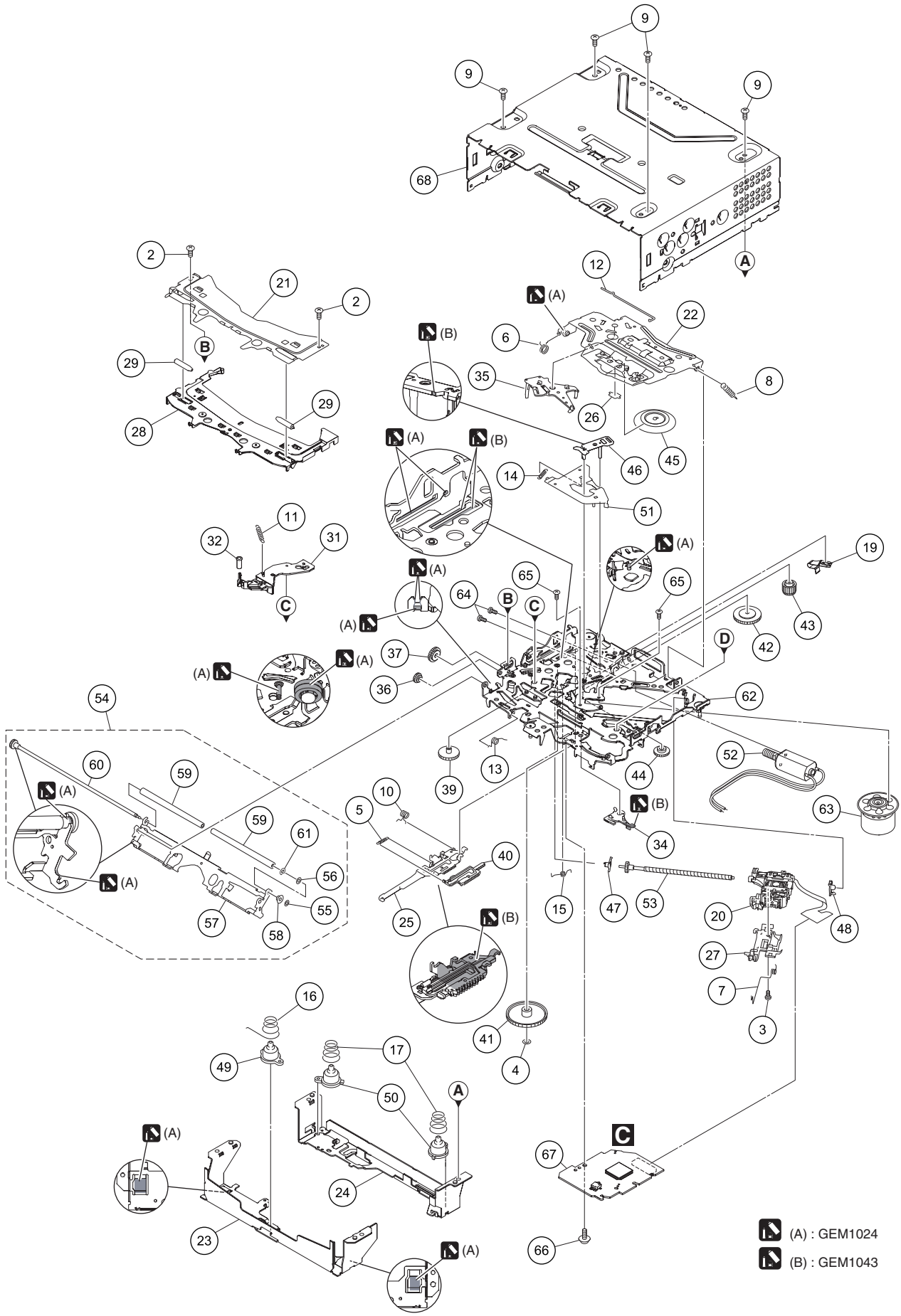
B

C

D

E

F



(A) : GEM1024
 (B) : GEM1043

CD MECHANISM MODULE SECTION PARTS LIST

<u>Mark No.</u>	<u>Description</u>	<u>Part No.</u>	<u>Mark No.</u>	<u>Description</u>	<u>Part No.</u>
1		50	Damper	CNW1198
2	Screw	BSZ20P040FTC	51	Arm	CNW1726
3	Screw(M2 x 4)	CBA1835	52	Motor Unit(M2)(LOAD/CRG)	CXC4026
4	Washer	CBF1038	53	Screw Unit	CXC8894
5	Spring	CBH3010	54	Arm Assy	CXE6232
6	Spring	CBH2855	55	Washer	CBF1037
7	Spring	CBH2856	56	Washer	CBF1038
8	Spring	CBH2860	57	Arm	CND6242
9	Screw	BSZ26P060FTC	58	Collar	CNW2444
10	Spring	CBH3011	59	Roller	CNW2500
11	Coil Spring	CBH3095	60	Gear Unit	CXE6225
12	Spring	CBH3014	61	Washer	YE15FTC
13	Spring	CBH3015	62	Chassis Unit	CXE4528
14	Spring	CBH3016	63	Motor Unit(M1)(SPDL)	CXE2273
15	Spring	CBH3017	64	Screw	JFZ20P025FTC
16	Spring	CBH3086	65	Screw	JGZ17P022FTC
17	Spring	CBH3019	66	Screw	EBA1028
18		67	CD Core Unit (S11.6STD)	CWX4023
19	Leaf Spring	CBL1824	68	Chassis	CNA3181
20	Pickup Unit(P10.6)(Service)	CXX3556			
21	Bracket	CND4553			
22	Arm	CND6406			
23	Bracket	CND6127			
24	Bracket	CND5710			
25	Lever	CND5398			
26	Sheet	CNN3678			
27	Rack	CNV8342			
28	Guide	CNW2240			
29	Roller	CNW1172			
30				
31	Arm	CNW2241			
32	Roller	CNW1175			
33				
34	Arm	CNW1177			
35	Arm	CNW1178			
36	Gear	CNW1180			
37	Gear	CNW1181			
38				
39	Gear	CNW1183			
40	Rack	CNW1184			
41	Gear	CNW1185			
42	Gear	CNW1186			
43	Gear	CNW1187			
44	Gear	CNW2287			
45	Clamper	CNW1190			
46	Arm	CNW1192			
47	Holder	CNW1193			
48	Holder	CNW1194			
49	Damper	CNW1197			

12. ELECTRICAL PARTS LIST

NOTE:

- Parts whose parts numbers are omitted are subject to being not supplied.
- The part numbers shown below indicate chip components.

Chip Resistor

RS1/○S○○○○J,RS1/○○S○○○○J

Chip Capacitor (except for CQS.....)

CKS....., CCS....., CSZS.....

- The \triangle mark found on some component parts indicates the importance of the safety factor of the part. Therefore, when replacing, be sure to use parts of identical designation.
- Meaning of the figures and others in the parentheses in the parts list.

Example) IC 301 is on the point (face A, 91 of x-axis, and 111 of y-axis) of the corresponding PC board.

IC 301 (A, 91, 111) IC NJM2068V

- The expression of the unit in this manual is shown by μ instead of μ . Please do not make a mistake.

<u>Circuit Symbol and No.</u>	<u>Part No.</u>	<u>Circuit Symbol and No.</u>	<u>Part No.</u>
A:DEH-X9600BHS/XNUC		MISCELLANEOUS	
B:DEH-X9600BT/XNEW5		IC 151	(A,81,115) IC PM9012A
C:DEH-X9650BT/XNGS		IC 181	(A,106,108) IC NJW4132U2-A
D:DEH-X9650BT/XNCS		IC 201	(A,40,110) IC AN33014UA
E:DEH-X9650SD/XNGS		IC 221	(A,14,110) IC AN33014UA
F:DEH-X9650SD/XNCS		IC 271	(A,27,48) Regulator IC(A,B,C,D) S-1172B18-E6
Unit Number : QWM3792(A)		IC 281	(A,20,47) IC(A,B,C,D) S-1200B33-M5
Unit Number : QWM3789(B)		IC 321	(A,81,142) IC PA2032A
Unit Number : QWM3790(C)		IC 371	(A,62,88) IC WM8761BGED
Unit Number : QWM3791(D)		IC 391	(A,138,60) Regulator IC NJM2885DL1-05
Unit Number : QWM3787(E)		IC 401	(A,141,87) IC TDA7706
Unit Number : QWM3788(F)		IC 531	(A,146,49) IC(A) S-1200B33-M5
Unit Name : Tuner Amp Assy		IC 541	(A,150,57) Regulator IC(A) S-1172B12-E6
Unit Number :		IC 601	(A,106,65) IC(A) PEQ270A8
Unit Name : Keyboard Unit			(A,106,65) IC(B,D) PEQ269A8
Unit Number : CWX4023			(A,106,65) IC(C) PEQ328A8
Unit Name : CD Core Unit (S11.6STD)			(A,106,65) IC(E,F) PEQ268A8
Unit Number : YWM5577		IC 603	(A,127,46) IC S-80827CNMC-B8M
Unit Name : Panel Unit		IC 604	(A,101,82) IC(A) TC7SH126FU
A		IC 605	(A,97,82) L-MOS And Gate(A) TC7SET08FUS1
Unit Number : QWM3792(A)		IC 651	(A,70,68) IC R5S726B0D216FP
Unit Number : QWM3789(B)		IC 701	(A,43,70) RAM IC M12L64164A-5TG2Y
Unit Number : QWM3790(C)		IC 721	(A,33,92) Regulator IC S-1155B12-U5
Unit Number : QWM3791(D)		IC 731	(A,72,89) Flash ROM Unit PEB125A8
Unit Number : QWM3787(E)		IC 741	(A,84,53) IC(A,B) MX25L4006EM2I-12G
Unit Number : QWM3788(F)		IC 881	(A,54,93) IC 337S3959
Unit Name : Tuner Amp Assy		IC 901	(A,13,63) Regulator IC BD9876EFJ
		IC 931	(A,27,57) Regulator IC S-1172B33-E6
		IC 941	(A,140,42) IC NJM2388F84
		IC 992	(A,90,81) IC TC7MB3257FK
		Q 191	(A,115,107) Transistor(A) LSAR523UB
		Q 192	(A,116,105) Transistor(A) LTC014EEB
		Q 301	(A,11,130) Transistor IMH23
		Q 302	(A,20,130) Transistor IMH23
		Q 303	(A,28,130) Transistor IMH23
		Q 351	(A,57,132) Transistor LSCR523UB
		Q 352	(A,63,128) Chip Transistor RN4983
		Q 353	(A,67,128) Transistor LTC014EEB
		Q 701	(A,34,84) Transistor LSAR523UB
		Q 771	(A,155,41) Transistor KTD2092

Circuit Symbol and No.**Part No.****Circuit Symbol and No.****Part No.**

Q 772	(A,151,47)	Chip Transistor	RN4983
Q 821	(A,119,28)	Transistor	LSAR523UB
Q 822	(A,122,32)	Transistor	LTC014EEB
Q 831	(A,114,28)	Transistor	2SA1577
Q 832	(A,114,31)	Transistor	LTC143EUB
Q 841	(A,107,29)	Transistor	LSAR523UB
Q 842	(A,110,31)	Transistor	LTC014EEB
Q 851	(A,53,40)	Chip Transistor(B,C,D,E,F)	2SB1689
Q 852	(A,55,40)	Transistor(B,C,D,E,F)	LTC014EEB
Q 853	(A,58,41)	Transistor(B,C,D,E,F)	DTA123EU
Q 881	(A,50,87)	Transistor	LSAR523UB
Q 921	(A,20,54)	Transistor	2SD2153
Q 922	(A,21,59)	Chip Transistor	RN4983
Q 951	(A,143,130)	Chip Transistor	HN1C01FU
Q 961	(A,93,121)	Transistor	LTC014EEB
D 182	(A,103,104)	Diode	RB551VM-30
D 201	(A,45,109)	Diode	RB060M-30
D 202	(B,59,119)	Diode	RB056L-40
D 221	(A,20,109)	Diode	RB060M-30
D 351	(A,57,130)	Diode	DA2J101
D 352	(A,61,131)	Diode	DZ2J082M0
D 353	(A,63,131)	Diode	DAN202UM
D 401	(A,149,102)	Diode	RN731VN
D 402	(A,148,95)	Diode	RN731VN
D 541	(B,149,50)	Diode(A)	CRG03
D 542	(B,142,50)	Diode(A)	CRG03
D 564	(A,6,88)	Diode(A)	CRG03
D 771	(A,154,45)	Diode	DZ2J082M0
D 801	(B,106,22)	Diode	DZ2S068C
D 802	(B,108,22)	Diode	DZ2S068C
D 803	(B,110,22)	Diode	DZ2S068C
D 901	(A,12,68)	Diode	RB056L-40
D 902	(B,8,72)	Diode	1SR154-400
D 903	(B,25,54)	Diode	CRG03
D 922	(B,20,56)	Diode	DZ2J056M0
D 923	(B,12,44)	Diode	DA2J101
D 924	(B,14,50)	Diode	DB2J31400
D 941	(A,125,54)	Diode(A)	DAN202UM
D 951	(A,134,126)	Diode	DZ2J075M0
D 952	(A,140,131)	Diode	DZ2J068M0
D 961	(B,104,125)	Diode	CRG03
D 981	(A,135,132)	Diode	1SR154-400
D 982	(A,135,128)	Diode	1SR154-400
D 991	(B,93,127)	Diode	CRG03
L 151	(A,92,115)	Inductor	LCTAW6R8J2520
L 181	(A,99,110)	Choke Coil 22 uH	CTH1561
L 201	(A,154,125)	Inductor	CTF1713
L 202	(A,50,106)	Inductor	CTH1524
L 221	(A,154,123)	Inductor	CTF1713
L 222	(A,24,106)	Inductor	CTH1524
L 251	(A,14,35)	Inductor(A,B,C,D)	CTF1786
L 252	(A,14,33)	Inductor(A,B,C,D)	CTF1786
L 371	(A,58,96)	Chip Ferrite Bead	DTL1107
L 402	(A,142,97)	Inductor	CTF1786
L 403	(A,139,99)	Inductor	CTF1786
L 404	(A,149,98)	Chip Coil	LCTAWR15J2520
L 405	(A,146,99)	Chip Coil	LCTAWR27J2520
L 406	(A,140,101)	Inductor	CTF1389
L 409	(A,133,95)	Inductor	LCTC1R5K1608
L 410	(A,151,92)	Inductor	CTF1786

L 411	(A,151,91)	Inductor	CTF1786
L 412	(A,128,87)	Chip Coil	LCTAW470J2520
L 414	(A,132,78)	Inductor	CTF1786
L 415	(A,146,78)	Inductor	CTF1786
L 651	(A,84,61)	Chip Beads	VTL1127
L 652	(A,37,88)	Inductor(C,D,E,F)	CTF1786
L 653	(A,47,52)	Chip Ferrite Bead	DTL1107
L 701	(A,31,78)	Chip Ferrite Bead	DTL1107
L 731	(B,75,88)	Inductor	CTF1389
L 851	(B,55,36)	Inductor(B,C,D,E,F)	CTF1389
L 901	(A,10,75)	Inductor	CTH1521
L 981	(A,114,141)	Choke Coil 600 uH	CTH1432
X 401	(A,152,85)	Resonator 36.480 MHz	CSS1805
X 601	(A,93,66)	Resonator 20.000 MHz	CSS1795
X 651	(A,85,66)	Resonator 12.000 MHz	YSS5005
X 652	(A,77,84)	Resonator 16.93 MHz	CSS1794
S 801	(A,92,15)	Switch(DSENS)	CSN1039
P 301	(A,36,128)	Poly Switch	FSMD075-24R
P 401	(A,152,112)	Surge Absorber	IMS-A-6803-01Y900
△P471	(A,123,97)	Fuse 1.25 A(A)	CEK1382
U 501	(A,162,77)	WWR C-BE Unit(A)	CWE2364
BZ601	(A,87,29)	Buzzer	CPV1062
VA801	(B,102,22)	Varistor	EZJZ1V270RM
VA802	(B,113,22)	Varistor	EZJZ1V270RM
VA803	(B,119,22)	Varistor	EZJZ1V270RM
VA804	(B,117,22)	Varistor	EZJZ1V270RM
VA805	(B,115,22)	Varistor	EZJZ1V270RM
VA806	(B,121,22)	Varistor	EZJZ1V270RM
VA807	(B,122,22)	Varistor	EZJZ1V270RM
VA808	(B,120,12)	Varistor	EZJZ1V270RM
CN251	(A,48,34)	Connector(A,B,C,D)	CKS6346
CN751	(A,116,38)	Connector	VKN1192
CN801	(A,112,15)	Connector	CKS3836
JA 101	(A,145,143)	Connector(A)	CKS3806
JA 121	(A,45,138)	Jack(E,F)	CKS6437
JA 122	(A,45,141)	Jack(A,B,C,D)	YKS5035
JA 201	(A,163,135)	Connector	YKS5043
JA 301	(A,22,138)	Pin Jack	XKB7001
JA 401	(A,157,116)	ANT Pigtail Cable	YDH5001
JA 851	(A,66,21)	Connector(B,C,D,E,F)	YKS5040
JA 981	(A,116,141)	Connector	CKM1613

RESISTORS

R 102	(B,144,132)	(A)	RS1/10SR473J
R 103	(A,148,134)	(A)	RS1/16SS102J
R 104	(A,148,131)	(A)	RS1/16SS102J
R 105	(A,147,131)	(A)	RS1/16SS102J
R 106	(A,145,131)	(A)	RS1/16SS102J
R 107	(A,149,134)	(A)	RS1/16SS181J
R 108	(B,148,134)	(A)	RS1/10SR223J
R 109	(B,148,135)	(A)	RS1/10SR223J
R 110	(A,150,134)	(A)	RS1/16SS181J
R 121	(A,46,129)		RS1/10SR102J
R 122	(A,44,129)		RS1/10SR102J
R 151	(A,72,107)		RS1/16SS223J
R 152	(A,86,107)		RS1/16SS223J
R 153	(A,73,107)		RS1/16SS331J
R 154	(A,73,124)		RS1/16SS102J
R 155	(A,72,124)		RS1/16SS102J

5		6		7		8	
<u>Circuit Symbol and No.</u>		<u>Part No.</u>		<u>Circuit Symbol and No.</u>		<u>Part No.</u>	
R 156	(A,73,123)	RS1/16SS102J		R 329	(B,75,132)	RS1/10SR562J	
R 182	(A,111,104)	RS1/16SS0R0J		R 330	(B,70,131)	RS1/10SR103J	
R 183	(A,110,104)	RS1/16SS4703D		R 331	(B,72,132)	RS1/10SR103J	
R 184	(A,108,104)	RS1/16SS1802D		R 351	(A,64,126)	RS1/16SS473J	A
R 187	(A,95,113)	RS1/16SS0R0J		R 352	(A,62,134)	RS1/16SS473J	
R 189	(A,106,104)	RS1/16SS1802D		R 353	(B,56,131)	RS1/10SR473J	
R 190	(A,109,105)	RS1/16SS330J		R 354	(A,59,134)	RS1/16SS104J	
R 192	(A,116,112) (B,C,D,E,F)	RS1/10SR0R0J		R 355	(A,69,129)	RS1/16SS103J	
R 194	(A,117,106) (A)	RS1/16SS102J		R 356	(A,61,126)	RS1/16SS102J	
R 195	(A,117,108) (A)	RS1/16SS103J		R 357	(A,68,130)	RS1/16SS103J	
R 196	(A,113,105)	RS1/10SR0R0J		R 358	(A,68,131)	RS1/16SS681J	
R 202	(A,55,103)	RS1/10SR681J		R 360	(A,91,121)	RS1/16SS0R0J	
R 203	(A,55,104)	RS1/10SR681J		R 371	(A,78,96)	RS1/16SS821J	
R 204	(A,47,113) 0.056 ohm	ACN7160		R 372	(A,78,94)	RS1/16SS821J	
R 206	(A,40,103)	RS1/16SS4702D		R 401	(A,144,103)	RS1/16SS105J	B
R 207	(A,37,103)	RS1/16SS224J		R 402	(A,152,102)	RS1/16SS221J	
R 208	(A,33,117)	RS1/16SS152J		R 403	(A,151,95)	RS1/16SS751J	
R 210	(A,34,116)	RS1/16SS3302D		R 404	(A,131,95)	RS1/16SS331J	
R 211	(A,34,114)	RS1/16SS8201D		R 405	(A,135,95)	RS1/16SS105J	
R 212	(A,35,116)	RS1/16SS223J		R 406	(A,130,91)	RS1/16SS471J	
R 222	(A,29,104)	RS1/10SR681J		R 407	(A,131,90)	RS1/16SS330J	
R 223	(A,29,103)	RS1/10SR681J		R 408	(A,131,88)	RS1/16SS681J	
R 224	(A,22,113) 0.056 ohm	ACN7160		R 410	(A,128,80)	RS1/4SA8R2J	
R 226	(A,14,103)	RS1/16SS4702D		R 411	(A,126,80)	RS1/4SA8R2J	
R 227	(A,11,103)	RS1/16SS224J		R 413	(A,137,74)	RS1/16SS102J	
R 228	(A,8,117)	RS1/16SS152J		R 414	(A,143,77) (A)	RS1/16SS221J	C
R 230	(A,8,116)	RS1/16SS3302D		R 415	(A,132,79) (B,C,D,E,F)	RS1/16SS0R0J	
R 231	(A,8,114)	RS1/16SS8201D		R 416	(A,132,77) (A)	RS1/16SS0R0J	
R 232	(A,10,116)	RS1/16SS223J		R 417	(A,138,72) (A)	RS1/16SS472J	
R 251	(B,55,29) (A,B,C,D)	RS1/10SR221J		R 418	(A,138,74) (A)	RS1/16SS472J	
R 252	(B,55,32) (A,B,C,D)	RS1/10SR221J		R 420	(B,144,105) (A)	RS1/8SQ0R0J	
R 253	(B,55,31) (A,B,C,D)	RS1/10SR221J		R 421	(B,152,100)	RS1/8SQ0R0J	
R 254	(A,50,41) (A,B,C,D)	RS1/16SS102J		R 422	(B,148,100)	RS1/8SQ0R0J	
R 255	(A,49,41) (A,B,C,D)	RS1/16SS102J		R 424	(A,129,98)	RS1/8SQ0R0J	
R 256	(A,16,36) (A,B,C,D)	RS1/16SS222J		R 425	(A,139,106)	RS1/8SQ0R0J	
R 257	(B,48,43) (A,B,C,D)	RS1/10SR101J		R 474	(A,116,80) (A)	RS1/16SS183J	D
R 258	(B,46,43) (A,B,C,D)	RS1/10SR101J		R 477	(A,108,78) (A)	RS1/16SS183J	
R 259	(B,44,43) (A,B,C,D)	RS1/10SR102J		R 479	(A,121,97) (A)	RS1/10SR0R0J	
R 260	(A,16,32) (A,B,C,D)	RS1/16SS222J		R 501	(A,144,76) (A)	RS1/16SS101J	
R 264	(A,30,46) (A,B,C,D)	RS1/16SS0R0J		R 502	(A,150,76) (A)	RS1/16SS101J	
				R 503	(A,147,74) (A)	RS1/16SS101J	
R 301	(A,8,129)	RS1/16SS820J		R 504	(A,144,74) (A)	RS1/16SS101J	
R 302	(A,14,129)	RS1/16SS820J		R 506	(A,157,93) (A)	RS1/16SS101J	
R 303	(A,17,129)	RS1/16SS820J		R 507	(A,157,91) (A)	RS1/16SS101J	
R 304	(A,22,129)	RS1/16SS820J		R 508	(A,157,89) (A)	RS1/16SS101J	
R 305	(A,25,129)	RS1/16SS820J		R 509	(A,157,87) (A)	RS1/16SS101J	
R 306	(A,31,129)	RS1/16SS820J					
R 307	(A,8,130)	RS1/16SS223J		R 512	(A,156,68) (A)	RS1/16SS101J	E
R 308	(A,14,130)	RS1/16SS223J		R 513	(A,156,67) (A)	RS1/16SS101J	
R 309	(A,16,130)	RS1/16SS223J		R 514	(A,156,66) (A)	RS1/16SS101J	
R 310	(A,23,130)	RS1/16SS223J		R 601	(A,94,33)	RS1/16SS102J	
R 311	(A,25,130)	RS1/16SS223J		R 602	(B,102,71)	RS1/10SR154J	
R 312	(A,31,130)	RS1/16SS223J		R 603	(A,98,56)	RS1/16SS222J	
R 321	(A,78,124)	RS1/16SS362J		R 604	(A,95,65)	RS1/16SS105J	
R 322	(A,79,124)	RS1/16SS362J		R 606	(B,94,62) (A,B,C,D)	RS1/10SR104J	
R 323	(A,82,124)	RS1/16SS362J					
R 324	(A,83,124)	RS1/16SS362J		R 607	(A,98,55)	RS1/16SS104J	
R 325	(A,77,125)	RS1/16SS562J		R 608	(A,99,54)	RS1/16SS104J	
R 326	(A,79,125)	RS1/16SS562J		R 609	(A,92,71)	RS1/16SS104J	F
R 327	(A,82,125)	RS1/16SS562J		R 610	(A,99,76)	RS1/16SS104J	
R 328	(A,84,125)	RS1/16SS562J		R 611	(A,93,60)	RS1/16SS104J	
				R 612	(A,93,58)	RS1/16SS104J	

1

2

3

4

Circuit Symbol and No.**Part No.****Circuit Symbol and No.****Part No.**

	R 613 (A,105,82)	RS1/16SS103J	R 692 (B,67,80)	RS1/10SR473J
	R 614 (A,96,64)	RS1/16SS104J	R 693 (A,56,64) (B,C,D,E,F)	RS1/16SS221J
	R 615 (A,96,66)	RS1/16SS101J	R 695 (B,77,67)	RS1/10SR473J
A	R 616 (A,101,76) (B,F)	RS1/16SS104J	R 701 (B,43,76)	RS1/10SR473J
	R 617 (A,103,76) (D,E)	RS1/16SS104J	R 702 (A,43,79)	RS1/16SS472J
	R 618 (B,106,52)	RS1/10SR472J	R 703 (A,41,79)	RAB4CQ220J
	R 619 (A,112,76)	RS1/16SS103J	R 704 (A,38,79)	RAB4CQ220J
	R 620 (B,106,64)	RS1/10SR104J	R 705 (A,34,79)	RAB4CQ220J
	R 621 (A,104,54)	RS1/16SS104J	R 707 (A,37,83)	RS1/16SS472J
	R 622 (B,93,50)	RS1/10SR104J	R 708 (A,43,61)	RS1/16SS220J
	R 623 (B,95,50)	RS1/10SR104J	R 710 (A,37,61)	RAB4CQ220J
	R 624 (B,108,77) (A,B,C,D)	RS1/10SR104J	R 711 (A,34,61)	RAB4CQ220J
	R 627 (A,110,53)	RS1/16SS104J	R 731 (A,73,93)	RS1/16SS473J
	R 628 (A,116,68)	RS1/16SS104J	R 732 (B,71,92)	RS1/10SR473J
B	R 631 (A,116,64)	RS1/16SS104J	R 733 (A,72,93)	RS1/16SS473J
	R 632 (A,116,73) (B,C,D,E,F)	RS1/16SS472J	R 734 (A,78,90)	RS1/16SS473J
	R 633 (A,116,72) (B,C,D,E,F)	RS1/16SS472J	R 735 (A,78,87)	RS1/16SS473J
	R 636 (A,124,46)	RS1/16SS104J	R 741 (A,82,56) (A,B)	RS1/16SS101J
	R 638 (A,123,46)	RS1/16SS152J	R 742 (A,74,49) (A,B)	RS1/16SS101J
	R 640 (B,98,72)	RS1/10SR104J	R 743 (A,78,53) (A,B)	RS1/16SS101J
	R 641 (A,108,76)	RS1/16SS104J	R 744 (A,78,54) (A,B)	RS1/16SS101J
	R 642 (B,94,64)	RS1/10SR104J	R 745 (A,85,57) (A,B)	RS1/16SS473J
	R 643 (B,98,70)	RS1/10SR104J	R 751 (B,110,33)	RS1/10SR472J
	R 646 (A,119,69) (B,C,D,E,F)	RS1/16SS104J	R 752 (B,106,34)	RS1/10SR473J
			R 753 (B,113,33)	RS1/10SR472J
C	R 647 (A,104,82)	RS1/16SS103J	R 754 (A,116,41)	RS1/16SS104J
	R 648 (B,101,82) (A)	RS1/10SR473J	R 755 (B,115,33)	RS1/10SR472J
	R 650 (A,91,73) (A)	RS1/16SS0R0J	R 756 (A,104,39)	RS1/16SS221J
	R 652 (A,80,56) (C,D,E,F)	RS1/16SS473J	R 757 (A,104,40)	RS1/16SS221J
	R 653 (A,76,50) (C,D,E,F)	RS1/16SS473J	R 758 (A,104,38)	RS1/16SS101J
	R 657 (A,87,62)	RS1/16SS101J	R 759 (A,110,41)	RS1/16SS221J
	R 660 (B,84,70)	RS1/10SR221J	R 760 (A,104,37)	RS1/16SS101J
	R 661 (B,58,86)	RS1/10SR221J	R 761 (A,115,41)	RS1/16SS102J
	R 662 (A,85,61)	RS1/16SS181J	R 762 (A,117,34)	RS1/16SS151J
	R 663 (A,83,67)	RS1/16SS332J	R 763 (A,119,41)	RS1/16SS151J
	R 664 (B,77,71)	RS1/10SR473J	R 764 (A,119,34)	RS1/16SS151J
D	R 666 (B,77,75) (A,B,C,D)	RS1/10SR473J	R 765 (A,123,41)	RS1/16SS221J
	R 667 (B,81,74) (E,F)	RS1/10SR473J	R 766 (A,122,41)	RS1/16SS104J
	R 669 (A,69,81)	RS1/16SS101J	R 767 (B,105,37)	RS1/10SR104J
	R 670 (A,70,83)	RS1/16SS101J	R 771 (B,143,41)	RS1/10SR473J
	R 671 (A,71,83)	RS1/16SS101J		
	R 672 (A,72,83)	RS1/16SS101J	R 772 (B,143,43)	RS1/10SR103J
	R 673 (A,73,81)	RS1/16SS101J	R 773 (B,155,45)	RS1/4SA391J
	R 674 (A,74,81)	RS1/16SS101J	R 801 (A,122,22)	RS1/10SR222J
	R 675 (A,65,81)	RS1/16SS221J	R 802 (A,110,22)	RS1/10SR222J
	R 676 (A,65,82)	RS1/16SS221J	R 803 (A,107,22)	RS1/10SR101J
	R 677 (A,67,81)	RS1/16SS221J	R 804 (A,109,22)	RS1/10SR101J
E	R 678 (B,69,81)	RS1/10SR221J	R 805 (A,105,22)	RS1/10SR222J
	R 679 (A,76,81)	RS1/16SS332J	R 806 (A,111,22)	RS1/10SR222J
	R 680 (A,37,89) (A,B)	RS1/16SS0R0J	R 807 (A,117,22)	RS1/10SR222J
	R 681 (A,84,81)	RAB4CQ473J	R 808 (A,116,22)	RS1/10SR222J
	R 682 (A,83,69)	RS1/16SS153J	R 809 (A,115,22)	RS1/10SR222J
	R 683 (A,83,70)	RS1/16SS153J	R 810 (A,119,22)	RS1/10SR222J
	R 684 (A,88,71)	RS1/16SS153J	R 811 (A,120,22)	RS1/10SR222J
	R 685 (A,88,72)	RS1/16SS153J	R 812 (B,94,20)	RS1/10SR102J
	R 686 (A,83,72)	RS1/16SS473J	R 813 (B,94,22)	RS1/10SR104J
	R 687 (A,83,73)	RS1/16SS473J	R 822 (A,123,28)	RS1/16SS103J
F	R 688 (A,86,76)	RS1/16SS473J	R 823 (A,122,28)	RS1/16SS473J
	R 689 (A,85,77)	RS1/16SS473J	R 824 (B,123,30)	RS1/10SR242J
	R 690 (B,58,72)	RS1/10SR473J	R 832 (B,109,26)	RS1/10SR473J
	R 691 (B,84,63)	RS1/10SR0R0J	R 833 (B,116,29)	RS1/10SR332J

1

2

3

4

5		6		7		8	
<u>Circuit Symbol and No.</u>		<u>Part No.</u>		<u>Circuit Symbol and No.</u>		<u>Part No.</u>	
R 834	(A,117,28)	RS1/10SR103J		CAPACITORS			
R 841	(A,105,29)	RS1/10SR472J		C 101	(B,146,142) (A)	CKSRYB105K16	
R 842	(B,107,30)	RS1/10SR102J		C 121	(B,55,148)	CKSRYB102K50	A
R 843	(B,105,30)	RS1/10SR103J		C 122	(B,37,129)	CKSRYB102K50	
R 851	(B,58,39) (B,C,D,E,F)	RS1/10SR221J		C 123	(B,39,132)	CKSRYB102K50	
R 852	(A,60,38) (B,C,D,E,F)	RS1/16SS221J		C 151	(A,74,113)	CKSRYB105K10	
R 854	(A,70,37) (B,C,D,E,F)	RS1/16SS221J		C 152	(A,87,112)	CKSRYB105K10	
R 855	(B,67,44) (B,C,D,E,F)	RS1/10SR221J					
R 856	(B,69,44) (B,C,D,E,F)	RS1/10SR221J		C 153	(A,74,112) (A)	CKSRYB105K10	
R 857	(A,54,38) (B,C,D,E,F)	RS1/16SS102J			(A,74,112) (B,C,D,E,F)	CKSRYB224K16	
R 858	(B,53,41) (B,C,D,E,F)	RS1/10SR821J		C 154	(B,92,105) (A)	CKSRYB105K10	
R 859	(B,53,44) (B,C,D,E,F)	RS1/10SR103J			(B,92,105) (B,C,D,E,F)	CKSRYB224K16	
R 860	(A,70,38)	RS1/16SS473J		C 155	(B,102,114) (A)	CKSRYB105K10	
R 862	(A,69,38) (B,C,D,E,F)	RS1/16SS221J		C 156	(B,102,113) (A)	CKSRYB105K10	
R 863	(B,65,44)	RS1/10SR473J		C 157	(B,98,114) (A)	CKSRYB105K10	B
R 864	(B,60,45) (A)	RS1/10SR0R0J		C 158	(B,98,113) (A)	CKSRYB105K10	
R 865	(B,71,44)	RS1/10SR473J		C 159	(A,74,110)	CKSRYB105K10	
R 866	(B,60,36)	RS1/10SR473J		C 160	(A,87,109)	CKSRYB105K10	
R 867	(B,62,36)	RS1/10SR473J		C 161	(A,74,109) 2.2 uF	CCG1205	
R 869	(B,62,45)	RS1/10SR473J					
R 881	(A,47,87)	RS1/10SR103J		C 163	(A,75,115)	CKSRYB105K10	
R 882	(A,55,96)	RS1/16SS473J		C 164	(A,86,114)	CKSRYB105K10	
R 883	(A,54,96)	RS1/16SS222J		C 165	(A,87,117) 10 uF	CCG1192	
R 884	(A,53,90)	RS1/16SS222J		C 166	(A,89,115) 10 uF	CCG1192	
R 885	(A,54,89)	RS1/16SS272J		C 168	(A,86,125)	CKSQYB225K16	
R 886	(A,53,85)	RS1/16SS472J					
R 887	(A,53,96)	RS1/16SS101J		C 170	(A,88,122)	CKSQYB225K16	
R 888	(A,53,89)	RS1/16SS101J		C 181	(A,92,109)	CKSSYB104K16	C
R 889	(A,56,89)	RS1/16SS472J		C 184	(A,110,105)	CCSSCH150J50	
R 901	(B,26,72)	RS1/10SR102J		C 186	(B,100,105) 10 uF	CCG1236	
R 903	(A,9,62)	RS1/16SS513J		C 188	(A,112,109) 10 uF	CCG1236	
R 904	(A,7,62)	RS1/16SS103J					
R 905	(A,7,64)	RS1/16SS103J		C 190	(B,100,108) 10 uF	CCG1236	
R 906	(A,6,63)	RS1/16SS183J		C 201	(A,46,118)	CKSSYB104K10	
R 907	(A,6,61)	RS1/16SS0R0J		C 202	(A,51,112) 22 uF	CCG1254	
R 908	(A,6,60)	RS1/16SS473J		C 204	(A,38,103)	CKSSYB102K50	
R 921	(B,21,58)	RS1/10SR223J		C 205	(A,42,104)	CKSSYB104K16	
R 922	(B,21,60)	RS1/10SR332J					
R 931	(A,31,52)	RS1/16SS473J		C 206	(A,36,103)	CKSSYB472K25	
R 941	(B,130,43)	RS1/10SR473J		C 207	(A,41,103)	CKSSYB104K16	
R 942	(A,127,53) (B,C,D,E,F)	RS1/16SS0R0J		C 208	(A,32,116)	CCSSCH151J50	D
R 951	(A,142,133)	RS1/16SS103J		C 209	(A,38,115) 1 uF	DCH1246	
R 952	(A,141,128)	RS1/16SS104J		C 210	(A,37,116)	CKSSYB472K25	
R 953	(A,142,134)	RS1/16SS473J					
R 954	(A,142,130)	RS1/16SS473J		C 211	(A,43,117) 10 uF	DCH1165	
R 955	(B,120,128)	RS1/10SR682J		C 212	(A,35,115)	CCSSCH270J50	
R 956	(A,119,129)	RS1/4SA102J		C 213	(A,62,109)	CEVW101M16	
R 961	(B,99,126)	RS1/10SR103J		C 214	(A,39,116)	CKSSYB104K16	
R 962	(A,114,129)	RS1/4SA102J		C 215	(A,52,117) Capacitor	CEVW101M6R3	
R 1002	(A,88,76)	RS1/16SS180J					
R 1004	(A,91,77)	RS1/16SS180J		C 216	(A,47,118)	CKSSYB102K50	
R 1006	(A,87,78)	RS1/16SS102J		C 217	(B,66,112) 22 uF	CCG1254	
R 1007	(A,88,85)	RS1/16SS102J		C 221	(A,21,118)	CKSSYB104K10	
R 1008	(A,86,87)	RS1/16SS7502D		C 222	(A,25,112) 22 uF	CCG1254	E
R 1009	(A,82,88)	RS1/16SS3302D		C 224	(A,12,103)	CKSSYB102K50	
R 1010	(A,82,87)	RS1/16SS1002D					
R 1011	(A,88,88)	RS1/16SS1003D		C 225	(A,16,104)	CKSSYB104K16	
R 1012	(A,88,87)	RS1/16SS1003D		C 226	(A,10,103)	CKSSYB472K25	
R 1013	(A,84,87)	RS1/16SS1003D		C 227	(A,15,103)	CKSSYB104K16	
R 1014	(A,83,87)	RS1/16SS1003D		C 228	(A,7,116)	CCSSCH151J50	
				C 229	(A,13,115) 1 uF	DCH1246	
				C 230	(A,12,116)	CKSSYB472K25	
				C 231	(A,18,117) 22 uF	CCG1254	
				C 232	(A,10,115)	CCSSCH270J50	
				C 233	(A,14,117)	CKSSYB104K16	F
				C 234	(A,27,117)	CEVW101M16	
				C 235	(A,22,118) (A,C,D,E,F)	CKSSYB102K50	

1

2

3

4

Circuit Symbol and No.**Part No.****Circuit Symbol and No.****Part No.**

C 251	(A,36,48) Capacitor(A,B,C,D)	CEVW471M10	C 421	(A,144,95)	CKSSYB104K10
C 253	(A,16,34) (A,B,C,D)	CKSRYB105K16	C 422	(A,146,97)	CKSSYB103K16
C 255	(B,40,32) 4.7 uF(A,B,C,D)	CCG1212	C 423	(A,143,97)	CKSRYB105K10
C 256	(B,40,34) 4.7 uF(A,B,C,D)	CCG1212	C 424	(A,149,93)	CKSRYB224K16
C 262	(B,49,34) (A,B,C,D)	CCSRCH270J50	C 426	(A,133,93)	CKSSYB103K16
C 264	(B,55,34)	CKSRYB104K16	C 427	(A,148,90)	CKSSYB104K10
C 272	(B,26,45) 4.7 uF(A,B,C,D)	CCG1212	C 428	(A,130,92) 10 uF	CCG1192
C 273	(B,26,50) 4.7 uF(A,B,C,D)	CCG1212	C 429	(A,150,90)	CKSRYB105K10
C 281	(B,22,45) 4.7 uF(A,B,C,D)	CCG1212	C 430	(A,131,91)	CKSSYB104K10
C 284	(B,18,45) 4.7 uF(A,B,C,D)	CCG1212	C 431	(A,154,88)	CKSSYB472K25
C 301	(A,9,127) 10 uF	CCG1192	C 432	(A,154,90)	CKSSYB472K25
C 302	(A,13,127) 10 uF	CCG1192	C 433	(A,130,90)	CCSSCH101J50
C 303	(A,17,127) 10 uF	CCG1192	C 434	(A,135,94)	CKSSYB104K10
C 304	(A,22,127) 10 uF	CCG1192	C 435	(A,128,90)	CKSSYB103K16
C 305	(A,26,127) 10 uF	CCG1192	C 436	(A,152,87)	CCSSCH100D50
C 306	(A,30,127) 10 uF	CCG1192	C 437	(A,149,87)	CKSSYB104K10
C 307	(A,8,131)	CKSSYB103K16	C 438	(A,132,88)	CCSSCH820J50
C 308	(A,14,131)	CKSSYB103K16	C 440	(A,133,86) (B,C,D,E,F)	CCSSCH100D50
C 309	(A,16,131)	CKSSYB103K16	C 441	(A,130,82)	CKSRYB474K10
C 310	(A,23,131)	CKSSYB103K16	C 443	(A,131,80)	CCSRCH471J50
C 311	(A,25,131)	CKSSYB103K16	C 444	(A,152,82)	CCSSCH100D50
C 312	(A,31,131)	CKSSYB103K16	C 445	(A,153,79)	CKSSYB104K10
C 315	(B,33,142)	CKSRYB102K50	C 447	(A,150,79) 2.2 uF	CCG1205
C 325	(B,77,132)	CKSRYB224K16	C 449	(A,148,82) (A,C,D,E,F)	CKSSYB104K10
C 326	(B,79,132)	CKSRYB224K16	C 450	(A,145,80)	CKSSYB104K10
C 327	(B,82,132)	CKSRYB224K16	C 451	(A,135,79)	CKSSYB102K50
C 328	(B,84,132)	CKSRYB224K16	C 452	(A,144,80) 1 uF	DCH1246
C 333	(A,62,136)	CKSRYB105K16	C 453	(A,144,78) 2.2 uF(B)	CCG1205
C 335	(B,61,137)	CKSRYB102K50	C 454	(A,138,79) (B,C,D,E,F)	CKSSYB104K10
C 337	(B,63,141)	CKSRYB103K50	C 456	(A,152,113)	CCSSCJ3R0C50
C 338	(B,63,143) 10 uF	CCG1236	C 459	(A,128,84) (A)	CCSSCH100D50
C 339	(B,88,143)	CKSRYB104K16	C 461	(A,156,92) (A)	CKSSYB104K10
C 340	(A,128,123) 3 300 uF/16 V(A,C,D,E,F) CCH1486		C 466	(B,139,92) (A)	CCSRCK2R0C50
C 344	(B,66,136)	CKSRYB103K50	C 467	(B,139,92) (B,C,D,E,F)	CCSRCH101J50
C 351	(A,51,129) Capacitor	CEVW220M16	C 474	(A,148,110) (A)	CCSSCK2R0C50
C 352	(B,63,131) 2.2 uF	CCG1205	C 477	(A,123,78) 10 uF(A)	CCG1192
C 375	(A,67,90) 4.7 uF	CCG1212	C 511	(B,154,74) (A)	CCSRCH220J50
C 376	(A,58,93)	CKSSYB103K16	C 512	(B,156,76) (A)	CCSRCH220J50
C 377	(A,59,95) 4.7 uF	CCG1212	C 513	(A,157,70) (A)	CCSSCH220J50
C 378	(B,65,96)	CKSRYB104K16	C 533	(A,149,52) 4.7 uF(A)	CCG1212
C 379	(A,80,96)	CKSSYB182K50	C 535	(A,143,52) (A)	CKSRYB102K50
C 380	(A,80,94)	CKSSYB182K50	C 537	(A,143,54) 10 uF(A)	CCG1192
C 391	(A,142,57) 4.7 uF	CCG1212	C 541	(A,145,56) 4.7 uF(A)	CCG1212
C 393	(A,132,55)	CKSQYB474K16	C 542	(B,152,64) 4.7 uF(A)	CCG1212
C 401	(A,147,102)	CCSSCH330J50	C 601	(A,92,68)	CCSSCH100D50
C 402	(A,143,100)	CKSSYB103K16	C 602	(A,92,64)	CCSSCH120J50
C 403	(A,148,100)	CCSSCH6R0D50	C 604	(A,92,70)	CKSSYB104K10
C 404	(A,150,100)	CKSSYB103K16	C 605	(B,99,65)	CKSRYB105K10
C 405	(A,141,97)	CKSSYB104K10	C 608	(B,113,64)	CKSRYB105K10
C 406	(A,137,96)	CKSSYB104K10	C 610	(A,103,50)	CKSRYB104K50
C 410	(A,150,97)	CKSSYB103K16	C 612	(B,120,47)	CKSRYB105K10
C 411	(A,139,97)	CKSSYB104K10	C 615	(B,97,65) 10 uF	DCH1201
C 412	(A,152,97)	CKSSYB103K16	C 616	(A,103,82) (A)	CKSSYB104K10
C 413	(A,137,97)	CKSSYB103K16	C 617	(A,96,80) (A)	CKSSYB104K10
C 414	(A,135,98) 10 uF	CCG1192	C 651	(B,68,58)	CKSRYB104K16
C 415	(A,134,98) (A,C,D,E,F)	CCSSCK2R0C50	C 652	(B,76,61)	CKSRYB104K16
C 416	(B,134,85)	CCSRCH101J50	C 653	(B,85,56)	CKSRYB104K16
C 418	(A,140,97)	CCSSCK2R0C50	C 654	(B,61,58)	CKSRYB104K16
C 419	(A,135,96)	CKSSYB223K16	C 655	(B,67,62)	CKSRYB104K16
C 420	(A,139,95)	CKSSYB103K16	C 656	(B,72,62)	CKSRYB104K16

1

2

3

4

5		6		7		8	
<u>Circuit Symbol and No.</u>		<u>Part No.</u>		<u>Circuit Symbol and No.</u>		<u>Part No.</u>	
C 657	(B,78,57)	CKSRYB104K16		C 831	(B,112,27)	CKSQYB105K16	
C 658	(A,56,65) (B,C,D,E,F)	CCSSCH100D50		C 841	(A,103,29)	CKSRYB104K16	
C 659	(B,81,63)	CKSRYB104K16		C 851	(A,67,37) (B,C,D,E,F)	CKSRYB105K10	A
C 660	(B,85,60)	CCSRCK2R0C50		C 881	(A,57,90)	CKSSYB104K10	
C 661	(B,59,62)	CKSRYB104K16		C 882	(A,56,90)	CKSSYB104K10	
C 662	(A,86,64)	CCSSCH120J50		C 891	(A,37,92)	CKSRYB104K16	
C 663	(B,81,67)	CKSRYB104K16		C 892	(A,50,92)	CKSRYB104K16	
C 664	(A,57,65) (B,C,D,E,F)	CCSSCH100D50		C 901	(A,15,79)	CKSSYB102K50	
C 665	(B,59,66)	CKSRYB104K16		C 902	(A,16,79)	CKSRYB105K16	
C 666	(B,81,65)	CKSRYB104K16		C 903	(A,22,74)	CEVQW221M6R3	
C 667	(A,57,70) (B,C,D,E,F)	CCSSCH100D50		C 904	(A,7,65)	CKSSYB102K50	
C 668	(B,59,69)	CKSRYB104K16		C 905	(A,8,63)	CKSSYB682K25	
C 669	(A,86,69)	CCSSCH120J50		C 906	(A,18,64)	CKSSYB103K16	
C 670	(B,81,70)	CKSRYB104K16		C 908	(A,18,66)	CKSRYB105K16	
C 671	(B,60,72)	CKSRYB104K16		C 909	(A,11,55)	XCEAT102M16	B
C 672	(B,81,76)	CKSRYB104K16		C 910	(A,20,67) 10 uF	CCG1236	
C 673	(B,81,78)	CKSRYB104K16		C 911	(A,18,79) 10 uF	CCG1192	
C 674	(B,65,80)	CKSRYB104K16		C 921	(B,17,55)	CKSRYB104K16	
C 675	(B,71,75)	CKSRYB104K16		C 922	(B,21,53)	CKSRYB103K50	
C 676	(B,76,79)	CKSRYB104K16		C 931	(A,29,63) 10 uF	CCG1192	
C 677	(B,63,80)	CKSRYB104K16		C 932	(A,31,55) 10 uF	CCG1192	
C 678	(B,69,79)	CKSRYB104K16		C 941	(B,136,40)	CKSRYB104K16	
C 682	(A,37,86) 4.7 uF	CCG1212		C 942	(A,135,49) Capacitor	CEVW221M10	
C 683	(B,49,52)	CKSRYB224K16		C 943	(A,143,42)	CKSQYB105K16	
C 685	(A,74,83)	CCSSCH120J50		C 961	(B,104,128)	CKSRYB105K10	C
C 686	(A,79,84)	CCSSCH120J50		C 991	(B,116,140)	CKSRYB104K16	
C 688	(B,44,52) 4.7 uF	CCG1212		C 1002	(A,85,87)	CKSSYB104K10	
C 696	(A,64,81)	CCSSCH220J50					
C 701	(B,53,71)	CKSRYB104K16					
C 702	(B,51,71)	CKSRYB104K16					
C 703	(B,47,71)	CKSRYB104K16					
C 704	(B,43,71)	CKSRYB104K16					
C 705	(B,34,73)	CKSRYB104K16					
C 706	(B,49,65)	CKSRYB104K16					
C 707	(B,44,65)	CKSRYB104K16					
C 708	(B,31,82) 2.2 uF	CCG1205					
C 711	(B,51,37)	CKSRYB104K16					
C 712	(B,54,47)	CKSRYB104K16					
C 721	(A,35,87) 10 uF	CCG1192					
C 722	(A,32,87) 10 uF	CCG1192					
C 731	(B,75,92)	CKSRYB104K16					
C 741	(A,77,51) (A,B)	CKSSYB104K10					
C 752	(A,120,34)	CCSSCH220J50					
C 753	(A,121,41)	CCSSCH100D50					
C 754	(A,116,34)	CCSSCH220J50					
C 755	(B,106,37)	CKSRYB103K50					
C 758	(A,93,38)	CKSSYB102K50					
C 760	(A,112,41)	CKSSYB221K50					
C 770	(B,123,42)	CKSRYB104K16					
C 771	(B,151,41) 10 uF	DCH1201					
C 773	(A,155,47)	CKSSYB473K16					
C 802	(B,111,14)	CKSRYB221K50					
C 803	(A,103,21)	CKSRYB104K16					
C 805	(B,100,14)	CKSRYB104K16					
C 806	(B,104,22)	CKSRYB104K16					
C 807	(B,98,11)	CKSRYB104K16					
C 809	(B,117,48)	CKSRYB104K16					
C 810	(B,82,36)	CKSRYB104K16					
C 811	(B,100,19)	CKSRYB105K16					
C 812	(A,95,20)	CKSRYB104K16					

B
Unit Number :
Unit Name : Keyboard Unit

MISCELLANEOUS

IC 1821	(A,130,22) IC	BH2228FV	D
IC 1901	(A,98,20) IC	PEQ271A8	
IC 1902	(B,82,20) Flash ROM Unit(A,C,E)	PEH426A8	
	(B,82,20) Flash ROM Unit(B,D,F)	PEH428A8	
IC 1931	(A,159,15) IR RC REC Module	PNJ4833M	
Q 1831	(B,59,10) Transistor	LSCR523UB	
Q 1832	(B,55,10) Transistor	LSCR523UB	
Q 1833	(B,52,10) Transistor	LSCR523UB	
Q 1834	(B,39,32) Chip Transistor	HN1C01FU	
Q 1835	(B,47,32) Chip Transistor	HN1C01FU	
Q 1836	(B,46,11) Chip Transistor	HN1C01FU	
Q 1861	(A,144,23) Transistor	LSCR523UB	E
Q 1862	(A,144,18) Transistor	LSCR523UB	
Q 1863	(A,144,13) Transistor	LSCR523UB	
Q 1864	(B,75,38) Chip Transistor	HN1C01FU	
Q 1865	(B,80,34) Chip Transistor	HN1C01FU	
Q 1866	(A,130,30) Chip Transistor	HN1C01FU	
D 1803	(A,136,32) Diode	CRG03	
D 1831	(A,10,26) LED	SMLVN6RGB2UK(B)	
D 1832	(A,52,34) LED	SMLVN6RGB2UK(B)	
D 1833	(A,52,20) LED	SMLVN6RGB2UK(B)	
D 1834	(A,68,26) LED	SMLVN6RGB2UK(B)	F
D 1861	(A,88,38) LED	SMLVN6RGB2UK(B)	
D 1862	(A,106,38) LED	SMLVN6RGB2UK(B)	
D 1863	(A,124,38) LED	SMLVN6RGB2UK(B)	
D 1864	(A,142,38) LED	SMLVN6RGB2UK(B)	

	1	2
	<u>Circuit Symbol and No.</u>	<u>Part No.</u>
	D 1901 (A,112,19) Diode	DA2J101
	L 1981 (B,150,31) Inductor	CTF1389
A	L 1982 (B,150,32) Inductor	CTF1389
	L 1983 (B,150,29) Inductor	CTF1389
	X 1901 (A,109,19) Ceramic Resonator 16.000 MHz	CSS1616
	S 1811 (A,26,26) Encoder(MULTI-CONTROL)	CSD1168
	S 1931 (A,9,40) Push Switch	CSG1155
	S 1932 (A,63,27) Push Switch	CSG1155
	S 1933 (A,62,16) Push Switch	CSG1155
	S 1935 (A,41,41) Push Switch	CSG1155
	S 1937 (A,68,13) Push Switch	CSG1155
	S 1938 (A,60,40) Push Switch	CSG1155
	S 1939 (A,41,12) Push Switch	CSG1155
B	S 1940 (A,30,10) Spring Switch	CSN1080
	S 1941 (A,22,10) Spring Switch	CSN1081
	S 1942 (A,68,39) Push Switch	CSG1155
	CN1801 (B,131,26) Connector	CKS6038
	CN1951 (B,105,38) Connector	CKS6530
	JA1981 (A,160,27) Jack	YKN5006

RESISTORS

	R 1801 (B,124,14)	RS1/10SR222J
	R 1802 (B,125,14)	RS1/10SR222J
	R 1803 (A,121,29)	RS1/10SR104J
C	R 1811 (B,54,24)	RS1/16SS103J
	R 1821 (A,133,17)	RS1/10SR272J
	R 1822 (A,131,17)	RS1/10SR272J
	R 1823 (A,132,17)	RS1/10SR272J
	R 1831 (A,124,19)	RS1/16SS102J
	R 1832 (A,124,21)	RS1/16SS102J
	R 1833 (A,125,19)	RS1/16SS102J
	R 1834 (B,42,30)	RS1/16SS101J
	R 1835 (B,46,14)	RS1/16SS101J
	R 1836 (B,41,30)	RS1/16SS101J
	R 1837 (B,48,12)	RS1/16SS101J
D	R 1838 (B,47,30)	RS1/16SS101J
	R 1839 (B,46,30)	RS1/16SS101J
	R 1840 (B,39,37)	RS1/10SR181J
	R 1841 (B,41,37)	RS1/10SR181J
	R 1842 (B,44,37)	RS1/10SR181J
	R 1843 (B,46,37)	RS1/10SR181J
	R 1844 (B,46,7)	RS1/10SR181J
	R 1845 (B,48,7)	RS1/10SR181J
	R 1861 (A,132,26)	RS1/16SS102J
	R 1862 (A,133,26)	RS1/16SS102J
E	R 1863 (A,132,25)	RS1/16SS102J
	R 1870 (A,81,33)	RS1/16SS101J
	R 1871 (A,129,28)	RS1/16SS101J
	R 1872 (A,79,32)	RS1/16SS101J
	R 1873 (A,131,28)	RS1/16SS101J
	R 1874 (A,82,33)	RS1/16SS101J
	R 1875 (A,83,33)	RS1/16SS101J
	R 1876 (B,72,39)	RS1/10SR181J
	R 1877 (B,79,39)	RS1/10SR181J
	R 1878 (B,82,37)	RS1/10SR181J
	R 1879 (B,81,37)	RS1/10SR181J
F	R 1880 (B,119,38)	RS1/10SR181J
	R 1881 (B,136,38)	RS1/10SR181J
	R 1901 (A,110,16)	RS1/16SS154J

	3	4
	<u>Circuit Symbol and No.</u>	<u>Part No.</u>
	R 1902 (B,94,18)	RS1/16SS102J
	R 1903 (A,114,19)	RS1/16SS154J
	R 1904 (A,108,22)	RS1/16SS473J
	R 1905 (A,108,23)	RS1/16SS103J
	R 1906 (B,95,22)	RAB4CQ102J
	R 1907 (A,108,24)	RS1/16SS103J
	R 1908 (A,111,26)	RAB4CQ103J
	R 1909 (A,102,31)	RS1/16SS103J
	R 1910 (A,99,31)	RAB4CQ473J
	R 1911 (A,96,31)	RS1/16SS473J
	R 1912 (A,95,31)	RS1/16SS473J
	R 1913 (B,94,19)	RS1/16SS101J
	R 1914 (A,81,30)	RS1/16SS101J
	R 1915 (A,93,30)	RAB4CQ101J
	R 1916 (A,87,26)	RS1/16SS101J
	R 1917 (A,87,24)	RAB4CQ101J
	R 1918 (A,84,22)	RAB4CQ101J
	R 1919 (B,94,16)	RAB4CQ101J
	R 1920 (B,94,13)	RAB4CQ101J
	R 1921 (A,87,16)	RAB4CQ101J
	R 1922 (B,80,12)	RAB4CQ101J
	R 1923 (B,85,12)	RAB4CQ101J
	R 1924 (A,79,13)	RAB4CQ101J
	R 1925 (A,101,9)	RAB4CQ102J
	R 1931 (B,148,19)	RS1/16SS470J
	R 1953 (B,108,31)	RAB4CQ473J
	R 1954 (A,108,28)	RS1/16SS473J
	R 1955 (A,115,26)	RAB4CQ101J

CAPACITORS

	C 1821 (A,135,20)	CKSSYB103K16
	C 1822 (A,136,19)	CKSRYB105K10
	C 1901 (A,119,25) 4.7 uF(A)	CCG1212
	C 1903 (A,115,19)	CKSSYB104K10
	C 1904 (A,108,21)	CKSSYB103K16
	C 1905 (A,88,20)	CKSSYB103K16
	C 1906 (B,70,17)	CKSSYB103K16
	C 1931 (B,150,19) 10 uF	CCG1192
	C 1951 (A,97,35)	CKSQYB334K50
	C 1952 (B,100,31) 4.7 uF	CCG1212
	C 1953 (B,100,32) 4.7 uF	CCG1212
	C 1954 (B,102,32) 4.7 uF	CCG1212
	C 1955 (B,104,32) 4.7 uF	CCG1212
	C 1957 (B,101,27) 1 uF	DCH1246
	C 1981 (B,147,30)	CKSRYB472K50
	C 1982 (B,148,30)	CKSRYB472K50



Unit Number : CWX4023
Unit Name : CD Core Unit (S11.6STD)

MISCELLANEOUS

IC 201 (B,23,37) IC	PE5791A
IC 301 (A,37,11) IC	BD8223EFV
Q 101 (B,11,53) Transistor	2SA1577
Q 102 (B,15,54) Transistor	LTA123JUB
X 201 (B,25,49) Ceramic Resonator 16.934 MHz	CSS1603
S 901 (A,42,53) Spring Switch(HOME)	CSN1080

5		6	
<u>Circuit Symbol and No.</u>		<u>Part No.</u>	
S 903	(B,21,12)	Spring Switch(DSCSNS)	CSN1081
CN101	(A,16,58)	Connector	CKS4808
CN701	(A,25,29)	Connector	CKS6146

RESISTORS

R 101	(B,6,57)	RS1/10SR2R4J
R 102	(B,8,57)	RS1/10SR2R4J
R 103	(B,9,57)	RS1/10SR2R7J
R 108	(B,18,55)	RS1/16SS105J
R 109	(B,12,50)	RS1/16SS222J
R 214	(B,18,28)	RS1/16SS103J
R 215	(B,17,28)	RS1/16SS393J
R 216	(B,12,35)	RS1/16SS122J
R 217	(B,10,32)	RS1/16SS562J
R 218	(B,10,35)	RS1/16SS472J
R 229	(B,12,34)	RS1/16SS471J
R 232	(A,31,54)	RS1/16SS0R0J
R 237	(B,33,45)	RS1/16SS221J
R 240	(B,34,40)	RS1/16SS473J
R 245	(A,34,46)	RS1/16SS104J
R 254	(A,37,56)	RS1/16SS104J
R 260	(B,30,27)	RS1/16SS103J
R 264	(A,22,9)	RS1/16SS102J
R 281	(B,33,38)	RS1/16SS560J
R 282	(B,33,39)	RS1/16SS560J
R 291	(B,33,34)	RS1/16SS560J
R 294	(B,27,48)	RS1/16SS471J
R 303	(A,27,11)	RS1/16SS123J
R 304	(A,28,11)	RS1/16SS123J
R 305	(A,26,9)	RS1/16SS102J
R 306	(A,26,11)	RS1/16SS472J
R 307	(A,25,9)	RS1/16SS102J
R 308	(A,25,11)	RS1/16SS472J
R 309	(A,35,6)	RS1/16SS473J
R 310	(B,30,9)	RS1/16SS472J
R 311	(B,30,10)	RS1/16SS472J
R 312	(B,30,11)	RS1/16SS472J
R 313	(B,30,12)	RS1/16SS472J
R 701	(A,21,38)	RS1/16SS101J
R 702	(A,23,38)	RS1/16SS101J
R 706	(A,32,42)	RS1/16SS221J

CAPACITORS

C 104	(B,12,57)	CKSQYB475K6R3
C 203	(B,22,47)	CKSSYB104K10
C 209	(B,28,47)	CKSRYB104K16
C 210	(B,33,43)	CKSSYB104K10
C 211	(B,33,41)	CKSSYB104K10
C 212	(B,22,28)	CKSSYB104K10
C 213	(B,18,26)	CKSSYB332K50
C 214	(B,17,26)	CKSSYB473K16
C 215	(B,19,28)	CKSSYB104K10
C 216	(B,12,33)	CKSSYB182K50
C 217	(B,10,34)	CCSSCH560J50
C 218	(B,10,36)	CCSSCH4R0C50
C 219	(B,14,34)	CKSSYB104K10
C 220	(A,18,38)	CKSSYB104K10
C 221	(B,14,32)	CKSSYB104K10
C 222	(B,13,37)	CKSSYB104K10

7		8	
<u>Circuit Symbol and No.</u>		<u>Part No.</u>	
C 223	(B,12,42)	CCSSCH680J50	
C 224	(B,13,45)	CCSSCH470J50	
C 225	(B,13,46)	CKSSYB103K16	
C 228	(B,10,33)	CCSSCH270J50	
C 229	(B,9,40)	CKSSYB104K10	
C 233	(B,32,46)	CKSSYB103K16	
C 236	(B,8,40)	CKSSYB104K10	
C 238	(A,25,44)	CKSRYB104K16	
C 299	(A,26,41)	CKSSYB104K10	
C 302	(B,28,12)	CKSSYB102K50	
C 303	(B,29,12)	CKSSYB102K50	
C 304	(B,27,12)	CKSSYB223K16	
C 305	(B,26,12)	CKSSYB104K10	
C 306	(A,31,7)	CKSSYB104K10	
C 307	(A,41,19)	CKSRYB105K10	
C 308	(A,31,15)	CKSRYB105K10	
C 710	(A,34,42)	CKSSYB102K50	

D

Unit Number : YWM5577
Unit Name : Panel Unit

MISCELLANEOUS

D 1	(A,5,18)	LED(Red)	SML-D12V8W(PQ)
D 2	(A,56,38)	LED(Red)	SML-D12V8W(PQ)
S 1	(A,60,38)	Push Switch(EJECT)	CSG1155
CN1	(A,40,24)	Connector	CKS6037
CN2	(B,18,10)	Connector	CKS3863