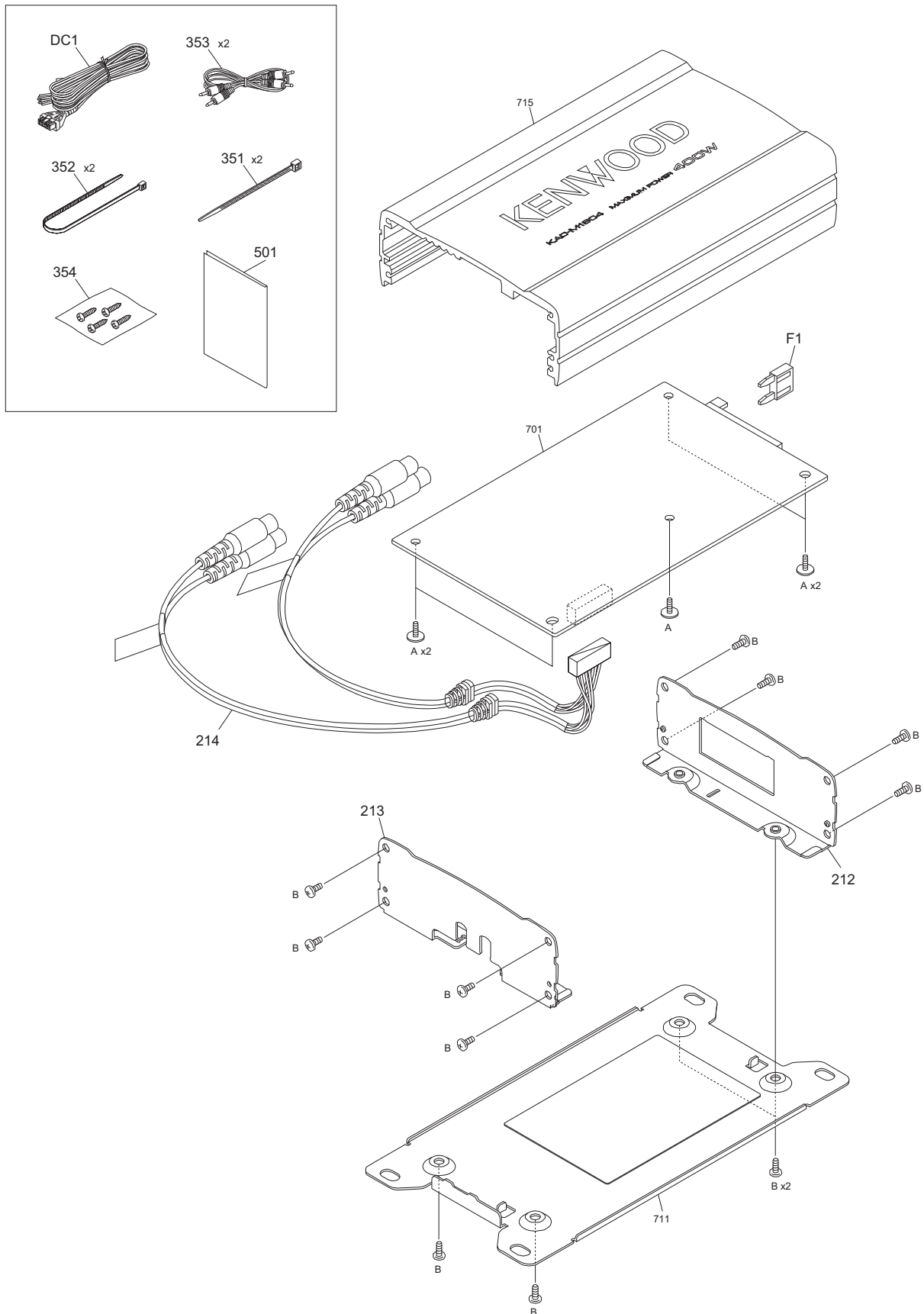


EXPLODED VIEW

Block No.200



Parts with the exploded numbers larger than 700 are not supplied.

MODEL	MARK
KAC-M1804	

Safe	Symbol No.	Parts No.	Parts Name	Description	QTY	Local
EXPLODED VIEW <200>						
	△ DC1	E30-8358-05	DC CORD		1	
	△ F1	F52-0024-05	FUSE		1	
	A	N09-6952-05	TAPTITE SCREW		5	
	B	N09-6959-05	TAPTITE SCREW		12	
	212	A64-5574-12	PANEL		1	
	213	A64-5575-12	PANEL		1	
	214	E30-8371-05	CORD W.PINPLUG		1	
	351	J61-0620-05	WIRE BAND		2	
	352	J61-0629-05	WIRE BAND		2	
	353	E3A-0002-00	CORD W.PINPLUG		2	
	354	N99-1840-05	SCREW SET		1	
	501	B64-5170-00	INST.MANUAL	ENG SPA FRE	1	

MODEL	MARK
KAC-M1804	

Safe	Symbol No.	Parts No.	Parts Name	Description	QTY	Local
AUDIO UNIT (X09-9220-10) <X09>						
	IC1	BA4564RFV	ANALOGUE IC		1	
	IC2	NJM4565E-ZB	ANALOGUE IC		1	
	IC3	NJM4565E-ZB	ANALOGUE IC		1	
	IC4	IR4302MTRPBF	MOS IC		1	
	IC5	IR4302MTRPBF	MOS IC		1	
	IC6	BA4564RFV	ANALOGUE IC		1	
	IC7	BA10358F	ANALOGUE IC		1	
	IC8	BA10358F	ANALOGUE IC		1	
	IC9	TL494G-S16-R	ANALOG IC		1	
	IC10	BA4564RFV	ANALOGUE IC		1	
	IC11	BA4564RFV	ANALOGUE IC		1	
	IC12	BA4564RFV	ANALOGUE IC		1	
	Q1	2SC4154(F)	TRANSISTOR		1	
	Q2	2SC4154(F)	TRANSISTOR		1	
	Q3	2SC4154(F)	TRANSISTOR		1	
	Q101	2SC4154(F)	TRANSISTOR		1	
	Q102	2SC4154(F)	TRANSISTOR		1	
	Q103	2SC4154(F)	TRANSISTOR		1	
	Q203	2SC4154(F)	TRANSISTOR		1	
	Q204	2SC4154(F)	TRANSISTOR		1	
	Q205	STD60NF06	FET		1	
	Q207	STD60NF06	FET		1	
	Q208	2SA1577	TRANSISTOR		1	
	Q209	2SA1577	TRANSISTOR		1	
	Q210	RT1N141M-T111	TRANSISTOR		1	
	Q211	RT1N141M-T111	TRANSISTOR		1	
	Q212	RT1P141M-T111	TRANSISTOR		1	
	Q213	2SAR293P	TRANSISTOR		1	
	Q214	2SC4154(F)	TRANSISTOR		1	
	Q215	2SC4154(F)	TRANSISTOR		1	
	Q216	2SCR533D	TRANSISTOR		1	
	Q217	2SAR533D	TRANSISTOR		1	
	Q218	2SCR533D	TRANSISTOR		1	
	Q219	2SC4154(F)	TRANSISTOR		1	
	Q220	2SC4154(F)	TRANSISTOR		1	
	Q221	ISA1602AM1(F)	TRANSISTOR		1	
	Q222	2SC4154(F)	TRANSISTOR		1	
	Q226	2SCR293P	TRANSISTOR		1	
	Q227	2SAR293P	TRANSISTOR		1	
	Q229	2SC4154(F)	TRANSISTOR		1	
	Q230	RT1P141M-T111	TRANSISTOR		1	
	Q231	2SC2713-F	TRANSISTOR		1	
	Q232	ISA1602AM1(F)	TRANSISTOR		1	
	Q233	2SC4154(F)	TRANSISTOR		1	
	D1	LM1MA142WK-G	DIODE		1	
	D2	LM1MA142WK-G	DIODE		1	
	D3	LM1MA142WA-G	DIODE		1	
	D4	LM1MA142WA-G	DIODE		1	
	D5	DA2J101	DIODE		1	
	D6	DA2J101	DIODE		1	
	D7	DA2J101	DIODE		1	
	D8	DA2J101	DIODE		1	
	D9	DA2J101	DIODE		1	
	D10	DA2J101	DIODE		1	
	D11	RF101L2S	DIODE		1	
	D12	RF101L2S	DIODE		1	
	D101	LM1MA142WK-G	DIODE		1	
	D102	LM1MA142WK-G	DIODE		1	
	D103	LM1MA142WA-G	DIODE		1	
	D104	LM1MA142WA-G	DIODE		1	
	D105	DA2J101	DIODE		1	
	D106	DA2J101	DIODE		1	
	D107	DA2J101	DIODE		1	
	D108	DA2J101	DIODE		1	
	D109	DA2J101	DIODE		1	
	D110	DA2J101	DIODE		1	
	D111	RF101L2S	DIODE		1	
	D112	RF101L2S	DIODE		1	
	D201	LM1MA142WK-G	DIODE		1	
	D202	DZ2J120M	Z DIODE		1	
	D203	DA2J101	DIODE		1	
	D204	DA2J101	DIODE		1	
	D205	DA2J101	DIODE		1	
	D206	DA2J101	DIODE		1	
	D207	DZ2J033M	Z DIODE		1	
	D208	DZ2J150M	Z DIODE		1	
	D209	DZ2J120M	Z DIODE		1	
	D210	DZ2J120M	Z DIODE		1	
	D211	DZ2J120M	Z DIODE		1	
	D212	DZ2J056M	Z DIODE		1	
	D213	DZ2J056M	Z DIODE		1	
	D214	DZ2J051M	Z DIODE		1	
	D215	DZ2J051M	Z DIODE		1	
	D216	DA2J101	DIODE		1	
	D217	LM1MA142WA-G	DIODE		1	
	D219	DA2J101	DIODE		1	
	D224	RFN3BM2S	DIODE		1	
	D225	RFN3BM2S	DIODE		1	
	D226	RFN3BM2S	DIODE		1	
	D227	RFN3BM2S	DIODE		1	
	D228	DA2J101	DIODE		1	

MODEL	MARK
KAC-M1804	

Safe	Symbol No.	Parts No.	Parts Name	Description	QTY	Local
	D229	DA2J101	DIODE		1	
	D232	DZ2J068M	Z DIODE		1	
	D233	DA2J101	DIODE		1	
	C1	CE32CL1C220M	E CAPACITOR	22uF 16V M	1	
	C2	CE32CL1C220M	E CAPACITOR	22uF 16V M	1	
	C3	CE32CL1C220M	E CAPACITOR	22uF 16V M	1	
	C4	CE32CL1C220M	E CAPACITOR	22uF 16V M	1	
	C5	CC73GCH1H560J	C CAPACITOR	56pF 50V J	1	
	C6	CC73GCH1H560J	C CAPACITOR	56pF 50V J	1	
	C7	CC73GCH1H330J	C CAPACITOR	33pF 50V J	1	
	C8	CC73GCH1H330J	C CAPACITOR	33pF 50V J	1	
	C9	CC73GCH1H560J	C CAPACITOR	56pF 50V J	1	
	C10	CC73GCH1H560J	C CAPACITOR	56pF 50V J	1	
	C11	CK73GBB1H103K	C CAPACITOR	0.01uF 50V K	1	
	C12	CK73GBB1H103K	C CAPACITOR	0.01uF 50V K	1	
	C13	CC73GCH1H331J	C CAPACITOR	330pF 50V J	1	
	C14	CC73GCH1H331J	C CAPACITOR	330pF 50V J	1	
	C15	CC73GCH1H102J	C CAPACITOR	1000pF 50V J	1	
	C16	CC73GCH1H102J	C CAPACITOR	1000pF 50V J	1	
	C17	CK73GBB1H103K	C CAPACITOR	0.01uF 50V K	1	
	C18	CK73GBB1H103K	C CAPACITOR	0.01uF 50V K	1	
	C19	CE32CL1C220M	E CAPACITOR	22uF 16V M	1	
	C20	CE32CL1C220M	E CAPACITOR	22uF 16V M	1	
	C21	CC73GCH1H331J	C CAPACITOR	330pF 50V J	1	
	C22	CC73GCH1H331J	C CAPACITOR	330pF 50V J	1	
	C23	CC73GCH1H102J	C CAPACITOR	1000pF 50V J	1	
	C24	CC73GCH1H102J	C CAPACITOR	1000pF 50V J	1	
	C25	CC73GCH1H102J	C CAPACITOR	1000pF 50V J	1	
	C26	CC73GCH1H102J	C CAPACITOR	1000pF 50V J	1	
	C27	CC73GCH1H102J	C CAPACITOR	1000pF 50V J	1	
	C28	CC73GCH1H102J	C CAPACITOR	1000pF 50V J	1	
	C29	CK73FB1C106K	C CAPACITOR	10uF 16V K	1	
	C30	CK73FB1C106K	C CAPACITOR	10uF 16V K	1	
	C31	CK73GB1H104K	C CAPACITOR	0.1uF 50V K	1	
	C32	CK73FB1C106K	C CAPACITOR	10uF 16V K	1	
	C33	CK73GB1H104K	C CAPACITOR	0.1uF 50V K	1	
	C34	CK73GB1H104K	C CAPACITOR	0.1uF 50V K	1	
	C35	CK73FB1C106K	C CAPACITOR	10uF 16V K	1	
	C36	CK73FB1C106K	C CAPACITOR	10uF 16V K	1	
	C37	CC73GCH1H102J	C CAPACITOR	1000pF 50V J	1	
	C38	CC73GCH1H102J	C CAPACITOR	1000pF 50V J	1	
	C39	CC73GCH1H102J	C CAPACITOR	1000pF 50V J	1	
	C40	CC73GCH1H102J	C CAPACITOR	1000pF 50V J	1	
	C41	CC73GCH1H102J	C CAPACITOR	1000pF 50V J	1	
	C42	CC73GCH1H102J	C CAPACITOR	1000pF 50V J	1	
	C43	CC73GCH1H102J	C CAPACITOR	1000pF 50V J	1	
	C44	CC73GCH1H102J	C CAPACITOR	1000pF 50V J	1	
	C45	CK73FBB1H224K	C CAPACITOR	0.22uF 50V K	1	
	C46	CK73FBB1H224K	C CAPACITOR	0.22uF 50V K	1	
	C47	CK73FBB1H224K	C CAPACITOR	0.22uF 50V K	1	
	C48	CK73FBB1H224K	C CAPACITOR	0.22uF 50V K	1	
	C49	CC73GCH1H151J	C CAPACITOR	150pF 50V J	1	
	C50	CC73GCH1H151J	C CAPACITOR	150pF 50V J	1	
	C51	CE32CC1V220M	E CAPACITOR	22uF 35V M	1	
	C52	CE32CC1V220M	E CAPACITOR	22uF 35V M	1	
	C53	CK73GB1H104K	C CAPACITOR	0.1uF 50V K	1	
	C54	CK73GB1H104K	C CAPACITOR	0.1uF 50V K	1	
	C55	CK73GB1H104K	C CAPACITOR	0.1uF 50V K	1	
	C56	CK73GB1H104K	C CAPACITOR	0.1uF 50V K	1	
	C57	CF92JV1H474J	MPC CAPACITOR	0.47uF 50V J	1	
	C58	CF92JV1H474J	MPC CAPACITOR	0.47uF 50V J	1	
	C59	CK73GB1H104K	C CAPACITOR	0.1uF 50V K	1	
	C60	CK73GB1H104K	C CAPACITOR	0.1uF 50V K	1	
	C61	CK73GBB1H103K	C CAPACITOR	0.01uF 50V K	1	
	C62	CK73GBB1H103K	C CAPACITOR	0.01uF 50V K	1	
	C63	CK73GB1H104K	C CAPACITOR	0.1uF 50V K	1	
	C64	CK73FB1C106K	C CAPACITOR	10uF 16V K	1	
	C65	CC73GCH1H330J	C CAPACITOR	33pF 50V J	1	
	C66	CC73GCH1H330J	C CAPACITOR	33pF 50V J	1	
	C67	CC73GCH1H330J	C CAPACITOR	33pF 50V J	1	
	C68	CC73GCH1H330J	C CAPACITOR	33pF 50V J	1	
	C69	CK73GBB1H103K	C CAPACITOR	0.01uF 50V K	1	
	C70	CK73GBB1H103K	C CAPACITOR	0.01uF 50V K	1	
	C73	CC73GCH1H101J	C CAPACITOR	100pF 50V J	1	
	C74	CC73GCH1H101J	C CAPACITOR	100pF 50V J	1	
	C75	CK73GBB1H103K	C CAPACITOR	0.01uF 50V K	1	
	C76	CK73GBB1H103K	C CAPACITOR	0.01uF 50V K	1	
	C101	CE32CL1C220M	E CAPACITOR	22uF 16V M	1	
	C102	CE32CL1C220M	E CAPACITOR	22uF 16V M	1	
	C103	CE32CL1C220M	E CAPACITOR	22uF 16V M	1	
	C104	CE32CL1C220M	E CAPACITOR	22uF 16V M	1	
	C105	CC73GCH1H560J	C CAPACITOR	56pF 50V J	1	
	C106	CC73GCH1H560J	C CAPACITOR	56pF 50V J	1	
	C107	CC73GCH1H330J	C CAPACITOR	33pF 50V J	1	
	C108	CC73GCH1H330J	C CAPACITOR	33pF 50V J	1	
	C109	CC73GCH1H560J	C CAPACITOR	56pF 50V J	1	
	C110	CC73GCH1H560J	C CAPACITOR	56pF 50V J	1	
	C113	CC73GCH1H331J	C CAPACITOR	330pF 50V J	1	
	C114	CC73GCH1H331J	C CAPACITOR	330pF 50V J	1	
	C115	CC73GCH1H102J	C CAPACITOR	1000pF 50V J	1	
	C116	CC73GCH1H102J	C CAPACITOR	1000pF 50V J	1	
	C117	CK73GBB1H103K	C CAPACITOR	0.01uF 50V K	1	

MODEL	MARK
KAC-M1804	

Safe	Symbol No.	Parts No.	Parts Name	Description	QTY	Local
C118		CK73GBB1H103K	C CAPACITOR	0.01uF 50V K	1	
C119		CE32CL1C220M	E CAPACITOR	22uF 16V M	1	
C120		CE32CL1C220M	E CAPACITOR	22uF 16V M	1	
C121		CC73GCH1H331J	C CAPACITOR	330pF 50V J	1	
C122		CC73GCH1H331J	C CAPACITOR	330pF 50V J	1	
C123		CC73GCH1H102J	C CAPACITOR	1000pF 50V J	1	
C124		CC73GCH1H102J	C CAPACITOR	1000pF 50V J	1	
C125		CC73GCH1H102J	C CAPACITOR	1000pF 50V J	1	
C126		CC73GCH1H102J	C CAPACITOR	1000pF 50V J	1	
C127		CC73GCH1H102J	C CAPACITOR	1000pF 50V J	1	
C128		CC73GCH1H102J	C CAPACITOR	1000pF 50V J	1	
C129		CK73FB1C106K	C CAPACITOR	10uF 16V K	1	
C130		CK73FB1C106K	C CAPACITOR	10uF 16V K	1	
C131		CK73GB1H104K	C CAPACITOR	0.1uF 50V K	1	
C132		CK73FB1C106K	C CAPACITOR	10uF 16V K	1	
C133		CK73GB1H104K	C CAPACITOR	0.1uF 50V K	1	
C134		CK73GB1H104K	C CAPACITOR	0.1uF 50V K	1	
C135		CK73FB1C106K	C CAPACITOR	10uF 16V K	1	
C136		CK73FB1C106K	C CAPACITOR	10uF 16V K	1	
C137		CC73GCH1H102J	C CAPACITOR	1000pF 50V J	1	
C138		CC73GCH1H102J	C CAPACITOR	1000pF 50V J	1	
C139		CC73GCH1H102J	C CAPACITOR	1000pF 50V J	1	
C140		CC73GCH1H102J	C CAPACITOR	1000pF 50V J	1	
C141		CC73GCH1H102J	C CAPACITOR	1000pF 50V J	1	
C142		CC73GCH1H102J	C CAPACITOR	1000pF 50V J	1	
C143		CC73GCH1H102J	C CAPACITOR	1000pF 50V J	1	
C144		CC73GCH1H102J	C CAPACITOR	1000pF 50V J	1	
C145		CK73FBB1H224K	C CAPACITOR	0.22uF 50V K	1	
C146		CK73FBB1H224K	C CAPACITOR	0.22uF 50V K	1	
C147		CK73FBB1H224K	C CAPACITOR	0.22uF 50V K	1	
C148		CK73FBB1H224K	C CAPACITOR	0.22uF 50V K	1	
C149		CC73GCH1H151J	C CAPACITOR	150pF 50V J	1	
C150		CC73GCH1H151J	C CAPACITOR	150pF 50V J	1	
C151		CE32CC1V220M	E CAPACITOR	22uF 35V M	1	
C152		CE32CC1V220M	E CAPACITOR	22uF 35V M	1	
C153		CK73GB1H104K	C CAPACITOR	0.1uF 50V K	1	
C154		CK73GB1H104K	C CAPACITOR	0.1uF 50V K	1	
C155		CK73GB1H104K	C CAPACITOR	0.1uF 50V K	1	
C156		CK73GB1H104K	C CAPACITOR	0.1uF 50V K	1	
C157		CF92JV1H474J	MPC CAPACITOR	0.47uF 50V J	1	
C158		CF92JV1H474J	MPC CAPACITOR	0.47uF 50V J	1	
C159		CK73GB1H104K	C CAPACITOR	0.1uF 50V K	1	
C160		CK73GB1H104K	C CAPACITOR	0.1uF 50V K	1	
C161		CK73GBB1H103K	C CAPACITOR	0.01uF 50V K	1	
C162		CK73GBB1H103K	C CAPACITOR	0.01uF 50V K	1	
C163		CK73GB1H104K	C CAPACITOR	0.1uF 50V K	1	
C164		CK73FB1C106K	C CAPACITOR	10uF 16V K	1	
C165		CC73GCH1H330J	C CAPACITOR	33pF 50V J	1	
C166		CC73GCH1H330J	C CAPACITOR	33pF 50V J	1	
C167		CC73GCH1H330J	C CAPACITOR	33pF 50V J	1	
C168		CC73GCH1H330J	C CAPACITOR	33pF 50V J	1	
C169		CK73GBB1H103K	C CAPACITOR	0.01uF 50V K	1	
C170		CK73GBB1H103K	C CAPACITOR	0.01uF 50V K	1	
C173		CC73GCH1H101J	C CAPACITOR	100pF 50V J	1	
C174		CC73GCH1H101J	C CAPACITOR	100pF 50V J	1	
C201		CK73GBB1H103K	C CAPACITOR	0.01uF 50V K	1	
C203		CK73GBB1H103K	C CAPACITOR	0.01uF 50V K	1	
C204		CK73GBB1H103K	C CAPACITOR	0.01uF 50V K	1	
C207		CK73GBB1H103K	C CAPACITOR	0.01uF 50V K	1	
C208		CK73GB1H104K	C CAPACITOR	0.1uF 50V K	1	
C209		CK73GB1H104K	C CAPACITOR	0.1uF 50V K	1	
C210		CK73GBB1H103K	C CAPACITOR	0.01uF 50V K	1	
C211		CK73GBB1H103K	C CAPACITOR	0.01uF 50V K	1	
C213		CK73GB1C105K	C CAPACITOR	1uF 16V K	1	
C214		CK73GB1C105K	C CAPACITOR	1uF 16V K	1	
C215		CE32CL0J101M	E CAPACITOR	100uF 6.3V M	1	
C216		C90-6939-05	E CAPACITOR	2200uF 16V	1	
C217		CK73GBB1H222K	C CAPACITOR	2200pF 50V K	1	
C218		CK73GBB1H222K	C CAPACITOR	2200pF 50V K	1	
C219		CC73GCH1H102J	C CAPACITOR	1000pF 50V J	1	
C220		CC73GCH1H102J	C CAPACITOR	1000pF 50V J	1	
C221		CE32CL0J470M	E CAPACITOR	47uF 6.3V M	1	
C222		CK73GBB1H103K	C CAPACITOR	0.01uF 50V K	1	
C223		CK73GB1C105K	C CAPACITOR	1uF 16V K	1	
C224		CK73GB1H104K	C CAPACITOR	0.1uF 50V K	1	
C225		CK73GB1H104K	C CAPACITOR	0.1uF 50V K	1	
C226		CK73GB1H104K	C CAPACITOR	0.1uF 50V K	1	
C227		CC73GCH1H102J	C CAPACITOR	1000pF 50V J	1	
C228		CK73FB1C106K	C CAPACITOR	10uF 16V K	1	
C229		CK73GBB1H103K	C CAPACITOR	0.01uF 50V K	1	
C231		CK73GB1H104K	C CAPACITOR	0.1uF 50V K	1	
C232		CK73GB1H104K	C CAPACITOR	0.1uF 50V K	1	
C233		CK73GBB1H222K	C CAPACITOR	2200pF 50V K	1	
C234		CK73GBB1H222K	C CAPACITOR	2200pF 50V K	1	
C235		C90-7061-05	E CAPACITOR	1	1	
C236		C90-7061-05	E CAPACITOR	1	1	
C237		CK73GBB1H103K	C CAPACITOR	0.01uF 50V K	1	
C238		CK73GBB1H103K	C CAPACITOR	0.01uF 50V K	1	
C239		CK73FB1C106K	C CAPACITOR	10uF 16V K	1	
C240		CE32CL1C470M	E CAPACITOR	47uF 16V M	1	
C241		CK73FB1C106K	C CAPACITOR	10uF 16V K	1	
C242		CE32CL1C470M	E CAPACITOR	47uF 16V M	1	
C243		CK73FB1C106K	C CAPACITOR	10uF 16V K	1	

MODEL	MARK
KAC-M1804	

Safe	Symbol No.	Parts No.	Parts Name	Description	QTY	Local
	C244	CE32CL1C470M	E CAPACITOR	47uF 16V M	1	
	C245	CE32CL0J470M	E CAPACITOR	47uF 6.3V M	1	
	C246	CE32CL0J470M	E CAPACITOR	47uF 6.3V M	1	
	C247	CK73GBB1H103K	C CAPACITOR	0.01uF 50V K	1	
	C248	CC73GCH1H102J	C CAPACITOR	1000pF 50V J	1	
	C249	CK73GBB1H103K	C CAPACITOR	0.01uF 50V K	1	
	C250	CK73GB1H104K	C CAPACITOR	0.1uF 50V K	1	
	C251	CC73GCH1H102J	C CAPACITOR	1000pF 50V J	1	
	C252	CC73GCH1H102J	C CAPACITOR	1000pF 50V J	1	
	C253	CK73GBB1H103K	C CAPACITOR	0.01uF 50V K	1	
	C254	CK73GBB1H103K	C CAPACITOR	0.01uF 50V K	1	
	C255	CK73EB1E106K	C CAPACITOR	10uF 25V K	1	
	C256	CK73GBB1H103K	C CAPACITOR	0.01uF 50V K	1	
	C257	CK73GBB1H103K	C CAPACITOR	0.01uF 50V K	1	
	C258	CK73FB1C106K	C CAPACITOR	10uF 16V K	1	
	C259	CK73GBB1H103K	C CAPACITOR	0.01uF 50V K	1	
	C262	CK73FB1C106K	C CAPACITOR	10uF 16V K	1	
	C263	CK73FB1C106K	C CAPACITOR	10uF 16V K	1	
	C264	CC73GCH1H102J	C CAPACITOR	1000pF 50V J	1	
	C266	CK73GBB1H103K	C CAPACITOR	0.01uF 50V K	1	
	C267	CK73GBB1H103K	C CAPACITOR	0.01uF 50V K	1	
	C268	CK73GBB1H103K	C CAPACITOR	0.01uF 50V K	1	
	C269	CC73GCH1H102J	C CAPACITOR	1000pF 50V J	1	
	C270	CK73GBB1H103K	C CAPACITOR	0.01uF 50V K	1	
	C271	CC73GCH1H020C	C CAPACITOR	2pF 50V C	1	
	C273	CC73GCH1H020C	C CAPACITOR	2pF 50V C	1	
	C275	CK73GBB1H103K	C CAPACITOR	0.01uF 50V K	1	
	R1	RK73GB2A472J	MG RESISTOR	4.7kΩ 1/10W J	1	
	R2	RK73GB2A472J	MG RESISTOR	4.7kΩ 1/10W J	1	
	R3	RK73GB2A472J	MG RESISTOR	4.7kΩ 1/10W J	1	
	R4	RK73GB2A472J	MG RESISTOR	4.7kΩ 1/10W J	1	
	R6	RK73GB2A223J	MG RESISTOR	22kΩ 1/10W J	1	
	R7	RK73GH2A682D	MG RESISTOR	6.8kΩ 1/10W D	1	
	R8	RK73GH2A682D	MG RESISTOR	6.8kΩ 1/10W D	1	
	R9	RK73GH2A682D	MG RESISTOR	6.8kΩ 1/10W D	1	
	R10	RK73GH2A682D	MG RESISTOR	6.8kΩ 1/10W D	1	
	R11	RK73GB2A103J	MG RESISTOR	10kΩ 1/10W J	1	
	R12	RK73GB2A103J	MG RESISTOR	10kΩ 1/10W J	1	
	R13	RK73GB2A512J	MG RESISTOR	5.1kΩ 1/10W J	1	
	R14	RK73GB2A512J	MG RESISTOR	5.1kΩ 1/10W J	1	
	R15	RK73GB2A511J	MG RESISTOR	510Ω 1/10W J	1	
	R16	RK73GB2A511J	MG RESISTOR	510Ω 1/10W J	1	
	R17	RK73GB2A103J	MG RESISTOR	10kΩ 1/10W J	1	
	R18	RK73GB2A103J	MG RESISTOR	10kΩ 1/10W J	1	
	R21	RK73GB2A222J	MG RESISTOR	2.2kΩ 1/10W J	1	
	R22	RK73GB2A222J	MG RESISTOR	2.2kΩ 1/10W J	1	
	R23	RK73GB2A102J	MG RESISTOR	1kΩ 1/10W J	1	
	R24	RK73GB2A102J	MG RESISTOR	1kΩ 1/10W J	1	
	R25	RK73GB2A152J	MG RESISTOR	1.5kΩ 1/10W J	1	
	R26	RK73GB2A911J	MG RESISTOR	910Ω 1/10W J	1	
	R27	RK73GB2A1R0J	MG RESISTOR	1Ω 1/10W J	1	
	R28	RK73GB2A1R0J	MG RESISTOR	1Ω 1/10W J	1	
	R29	RK73GB2A223J	MG RESISTOR	22kΩ 1/10W J	1	
	R30	RK73GB2A223J	MG RESISTOR	22kΩ 1/10W J	1	
	R32	RK73GB2A103J	MG RESISTOR	10kΩ 1/10W J	1	
	R33	RK73GB2A473J	MG RESISTOR	47kΩ 1/10W J	1	
	R34	RK73GB2A473J	MG RESISTOR	47kΩ 1/10W J	1	
	R35	RK73GB2A203J	MG RESISTOR	20kΩ 1/10W J	1	
	R36	RK73GB2A203J	MG RESISTOR	20kΩ 1/10W J	1	
	R37	RK73FB2B4R7J	MG RESISTOR	4.7Ω 1/8W J	1	
	R38	RK73FB2B4R7J	MG RESISTOR	4.7Ω 1/8W J	1	
	R39	RK73FB2B100J	MG RESISTOR	10Ω 1/8W J	1	
	R40	RK73FB2B100J	MG RESISTOR	10Ω 1/8W J	1	
	R41	RK73FB2B100J	MG RESISTOR	10Ω 1/8W J	1	
	R42	RK73FB2B100J	MG RESISTOR	10Ω 1/8W J	1	
	R43	RK73GB2A102J	MG RESISTOR	1kΩ 1/10W J	1	
	R44	RK73GB2A102J	MG RESISTOR	1kΩ 1/10W J	1	
	R45	RK73EB2E100J	MG RESISTOR	10Ω 1/4W J	1	
	R46	RK73EB2E100J	MG RESISTOR	10Ω 1/4W J	1	
	R47	RK73EB2E222J	MG RESISTOR	2.2kΩ 1/4W J	1	
	R48	RK73EB2E222J	MG RESISTOR	2.2kΩ 1/4W J	1	
	R49	RK73GB2A433J	MG RESISTOR	43kΩ 1/10W J	1	
	R50	RK73GB2A433J	MG RESISTOR	43kΩ 1/10W J	1	
	R51	RK73FB2B100J	MG RESISTOR	10Ω 1/8W J	1	
	R52	RK73GB2A113J	MG RESISTOR	11kΩ 1/10W J	1	
	R53	RK73GB2A113J	MG RESISTOR	11kΩ 1/10W J	1	
	R55	RK73GB2A912J	MG RESISTOR	9.1kΩ 1/10W J	1	
	R56	RK73GB2A912J	MG RESISTOR	9.1kΩ 1/10W J	1	
	R57	RK73GH2A103D	MG RESISTOR	10kΩ 1/10W D	1	
	R58	RK73GH2A103D	MG RESISTOR	10kΩ 1/10W D	1	
	R59	RK73GH2A103D	MG RESISTOR	10kΩ 1/10W D	1	
	R60	RK73GH2A103D	MG RESISTOR	10kΩ 1/10W D	1	
	R61	RK73GB2A101J	MG RESISTOR	100Ω 1/10W J	1	
	R63	RK73GB2A224J	MG RESISTOR	220kΩ 1/10W J	1	
	R64	RK73GB2A224J	MG RESISTOR	220kΩ 1/10W J	1	
	R65	RK73GB2A224J	MG RESISTOR	220kΩ 1/10W J	1	
	R66	RK73GB2A224J	MG RESISTOR	220kΩ 1/10W J	1	
	R67	RK73GB2A472J	MG RESISTOR	4.7kΩ 1/10W J	1	
	R68	RK73GB2A472J	MG RESISTOR	4.7kΩ 1/10W J	1	
	R69	RK73GB2A103J	MG RESISTOR	10kΩ 1/10W J	1	
	R70	RK73GB2A103J	MG RESISTOR	10kΩ 1/10W J	1	
	R101	RK73GB2A472J	MG RESISTOR	4.7kΩ 1/10W J	1	

MODEL	MARK
KAC-M1804	

Safe	Symbol No.	Parts No.	Parts Name	Description	QTY	Local
R102		RK73GB2A472J	MG RESISTOR	4.7kΩ 1/10W J	1	
R103		RK73GB2A472J	MG RESISTOR	4.7kΩ 1/10W J	1	
R104		RK73GB2A472J	MG RESISTOR	4.7kΩ 1/10W J	1	
R106		RK73GB2A223J	MG RESISTOR	22kΩ 1/10W J	1	
R107		RK73GH2A682D	MG RESISTOR	6.8kΩ 1/10W D	1	
R108		RK73GH2A682D	MG RESISTOR	6.8kΩ 1/10W D	1	
R109		RK73GH2A682D	MG RESISTOR	6.8kΩ 1/10W D	1	
R110		RK73GH2A682D	MG RESISTOR	6.8kΩ 1/10W D	1	
R111		RK73GB2A103J	MG RESISTOR	10kΩ 1/10W J	1	
R112		RK73GB2A103J	MG RESISTOR	10kΩ 1/10W J	1	
R113		RK73GB2A512J	MG RESISTOR	5.1kΩ 1/10W J	1	
R114		RK73GB2A512J	MG RESISTOR	5.1kΩ 1/10W J	1	
R115		RK73GB2A511J	MG RESISTOR	510Ω 1/10W J	1	
R116		RK73GB2A511J	MG RESISTOR	510Ω 1/10W J	1	
R117		RK73GB2A103J	MG RESISTOR	10kΩ 1/10W J	1	
R118		RK73GB2A103J	MG RESISTOR	10kΩ 1/10W J	1	
R121		RK73GB2A222J	MG RESISTOR	2.2kΩ 1/10W J	1	
R122		RK73GB2A222J	MG RESISTOR	2.2kΩ 1/10W J	1	
R123		RK73GB2A102J	MG RESISTOR	1kΩ 1/10W J	1	
R124		RK73GB2A102J	MG RESISTOR	1kΩ 1/10W J	1	
R125		RK73GB2A681J	MG RESISTOR	680Ω 1/10W J	1	
R126		RK73GB2A561J	MG RESISTOR	560Ω 1/10W J	1	
R127		RK73GB2A1R0J	MG RESISTOR	1Ω 1/10W J	1	
R128		RK73GB2A1R0J	MG RESISTOR	1Ω 1/10W J	1	
R129		RK73GB2A223J	MG RESISTOR	22kΩ 1/10W J	1	
R130		RK73GB2A223J	MG RESISTOR	22kΩ 1/10W J	1	
R132		RK73GB2A103J	MG RESISTOR	10kΩ 1/10W J	1	
R133		RK73GB2A473J	MG RESISTOR	47kΩ 1/10W J	1	
R134		RK73GB2A473J	MG RESISTOR	47kΩ 1/10W J	1	
R135		RK73GB2A203J	MG RESISTOR	20kΩ 1/10W J	1	
R136		RK73GB2A203J	MG RESISTOR	20kΩ 1/10W J	1	
R137		RK73FB2B4R7J	MG RESISTOR	4.7Ω 1/8W J	1	
R138		RK73FB2B4R7J	MG RESISTOR	4.7Ω 1/8W J	1	
R139		RK73FB2B100J	MG RESISTOR	10Ω 1/8W J	1	
R140		RK73FB2B100J	MG RESISTOR	10Ω 1/8W J	1	
R141		RK73FB2B100J	MG RESISTOR	10Ω 1/8W J	1	
R142		RK73FB2B100J	MG RESISTOR	10Ω 1/8W J	1	
R143		RK73GB2A102J	MG RESISTOR	1kΩ 1/10W J	1	
R144		RK73GB2A102J	MG RESISTOR	1kΩ 1/10W J	1	
R145		RK73EB2E100J	MG RESISTOR	10Ω 1/4W J	1	
R146		RK73EB2E100J	MG RESISTOR	10Ω 1/4W J	1	
R147		RK73EB2E222J	MG RESISTOR	2.2kΩ 1/4W J	1	
R148		RK73EB2E222J	MG RESISTOR	2.2kΩ 1/4W J	1	
R149		RK73GB2A433J	MG RESISTOR	43kΩ 1/10W J	1	
R150		RK73GB2A433J	MG RESISTOR	43kΩ 1/10W J	1	
R151		RK73FB2B100J	MG RESISTOR	10Ω 1/8W J	1	
R152		RK73GB2A113J	MG RESISTOR	11kΩ 1/10W J	1	
R153		RK73GB2A113J	MG RESISTOR	11kΩ 1/10W J	1	
R155		RK73GB2A912J	MG RESISTOR	9.1kΩ 1/10W J	1	
R156		RK73GB2A912J	MG RESISTOR	9.1kΩ 1/10W J	1	
R157		RK73GH2A103D	MG RESISTOR	10kΩ 1/10W D	1	
R158		RK73GH2A103D	MG RESISTOR	10kΩ 1/10W D	1	
R159		RK73GH2A103D	MG RESISTOR	10kΩ 1/10W D	1	
R160		RK73GH2A103D	MG RESISTOR	10kΩ 1/10W D	1	
R161		RK73GB2A101J	MG RESISTOR	100Ω 1/10W J	1	
R163		RK73GB2A224J	MG RESISTOR	220kΩ 1/10W J	1	
R164		RK73GB2A224J	MG RESISTOR	220kΩ 1/10W J	1	
R165		RK73GB2A224J	MG RESISTOR	220kΩ 1/10W J	1	
R166		RK73GB2A224J	MG RESISTOR	220kΩ 1/10W J	1	
R167		RK73GB2A472J	MG RESISTOR	4.7kΩ 1/10W J	1	
R168		RK73GB2A472J	MG RESISTOR	4.7kΩ 1/10W J	1	
R169		RK73GB2A103J	MG RESISTOR	10kΩ 1/10W J	1	
R170		RK73GB2A103J	MG RESISTOR	10kΩ 1/10W J	1	
R203		RK73GB2A332J	MG RESISTOR	3.3kΩ 1/10W J	1	
R205		RK73GB2A152J	MG RESISTOR	1.5kΩ 1/10W J	1	
R206		RK73GB2A273J	MG RESISTOR	27kΩ 1/10W J	1	
R207		RK73GB2A123J	MG RESISTOR	12kΩ 1/10W J	1	
R208		RK73GB2A683J	MG RESISTOR	68kΩ 1/10W J	1	
R209		RK73GB2A473J	MG RESISTOR	47kΩ 1/10W J	1	
R210		RK73GB2A133J	MG RESISTOR	13kΩ 1/10W J	1	
R211		RK73GB2A103J	MG RESISTOR	10kΩ 1/10W J	1	
R212		RK73GB2A103J	MG RESISTOR	10kΩ 1/10W J	1	
R213		RK73GB2A473J	MG RESISTOR	47kΩ 1/10W J	1	
R214		RK73GB2A433J	MG RESISTOR	43kΩ 1/10W J	1	
R215		R92-5628-05	MP RESISTOR		1	
R216		RK73GB2A102J	MG RESISTOR	1kΩ 1/10W J	1	
R217		RK73GB2A102J	MG RESISTOR	1kΩ 1/10W J	1	
R218		RK73GB2A513J	MG RESISTOR	51kΩ 1/10W J	1	
R219		RK73GB2A223J	MG RESISTOR	22kΩ 1/10W J	1	
R220		RK73GB2A123J	MG RESISTOR	12kΩ 1/10W J	1	
R221		RK73GB2A223J	MG RESISTOR	22kΩ 1/10W J	1	
R222		RK73GB2A103J	MG RESISTOR	10kΩ 1/10W J	1	
R224		RK73GB2A102J	MG RESISTOR	1kΩ 1/10W J	1	
R225		RK73GB2A562J	MG RESISTOR	5.6kΩ 1/10W J	1	
R226		RK73GB2A680J	MG RESISTOR	68Ω 1/10W J	1	
R227		RK73GB2A680J	MG RESISTOR	68Ω 1/10W J	1	
R228		RK73GB2A472J	MG RESISTOR	4.7kΩ 1/10W J	1	
R229		RK73GB2A472J	MG RESISTOR	4.7kΩ 1/10W J	1	
R230		RK73GB2A102J	MG RESISTOR	1kΩ 1/10W J	1	
R231		RK73GB2A102J	MG RESISTOR	1kΩ 1/10W J	1	
R232		RK73PB2H100J	MG RESISTOR	10Ω 1/2W J	1	
R233		RK73PB2H100J	MG RESISTOR	10Ω 1/2W J	1	

MODEL	MARK
KAC-M1804	

Safe	Symbol No.	Parts No.	Parts Name	Description	QTY	Local
R234		RK73PB2H100J	MG RESISTOR	10Ω 1/2W J	1	
R235		RK73GB2A133J	MG RESISTOR	13kΩ 1/10W J	1	
R236		RK73GB2A331J	MG RESISTOR	330Ω 1/10W J	1	
R237		RK73GB2A682J	MG RESISTOR	6.8kΩ 1/10W J	1	
R238		RK73GB2A154J	MG RESISTOR	150kΩ 1/10W J	1	
R239		RK73GB2A223J	MG RESISTOR	22kΩ 1/10W J	1	
R240		RK73GB2A102J	MG RESISTOR	1kΩ 1/10W J	1	
R241		RK73GB2A103J	MG RESISTOR	10kΩ 1/10W J	1	
R242		RK73GB2A103J	MG RESISTOR	10kΩ 1/10W J	1	
R243		RK73GB2A103J	MG RESISTOR	10kΩ 1/10W J	1	
R244		RK73GB2A472J	MG RESISTOR	4.7kΩ 1/10W J	1	
R245		RK73GB2A472J	MG RESISTOR	4.7kΩ 1/10W J	1	
R246		RK73GB2A392J	MG RESISTOR	3.9kΩ 1/10W J	1	
R247		RK73GB2A682J	MG RESISTOR	6.8kΩ 1/10W J	1	
R248		RK73GB2A682J	MG RESISTOR	6.8kΩ 1/10W J	1	
R249		RK73GB2A152J	MG RESISTOR	1.5kΩ 1/10W J	1	
R250		RK73EB2E392J	MG RESISTOR	3.9kΩ 1/4W J	1	
R251		RK73GB2A392J	MG RESISTOR	3.9kΩ 1/10W J	1	
R252		RK73PB2H100J	MG RESISTOR	10Ω 1/2W J	1	
R253		RK73PB2H100J	MG RESISTOR	10Ω 1/2W J	1	
R254		RK73EB2E153J	MG RESISTOR	15kΩ 1/4W J	1	
R255		RK73EB2E153J	MG RESISTOR	15kΩ 1/4W J	1	
R256		RK73EB2E4R7J	MG RESISTOR	4.7Ω 1/4W J	1	
R257		RK73EB2E4R7J	MG RESISTOR	4.7Ω 1/4W J	1	
R258		RK73EB2E272J	MG RESISTOR	2.7kΩ 1/4W J	1	
R259		RK73GB2A101J	MG RESISTOR	100Ω 1/10W J	1	
R260		RK73EB2E272J	MG RESISTOR	2.7kΩ 1/4W J	1	
R261		RK73GB2A101J	MG RESISTOR	100Ω 1/10W J	1	
R262		RK73EB2E4R7J	MG RESISTOR	4.7Ω 1/4W J	1	
R263		RK73EB2E222J	MG RESISTOR	2.2kΩ 1/4W J	1	
R264		RK73GB2A821J	MG RESISTOR	820Ω 1/10W J	1	
R265		RK73GB2A472J	MG RESISTOR	4.7kΩ 1/10W J	1	
R266		RK73GB2A103J	MG RESISTOR	10kΩ 1/10W J	1	
R267		RK73GB2A153J	MG RESISTOR	15kΩ 1/10W J	1	
R268		RK73GB2A100J	MG RESISTOR	10Ω 1/10W J	1	
R269		RK73EB2E100J	MG RESISTOR	10Ω 1/4W J	1	
R270		RK73EB2E100J	MG RESISTOR	10Ω 1/4W J	1	
R271		RK73GB2A472J	MG RESISTOR	4.7kΩ 1/10W J	1	
R272		RK73GB2A473J	MG RESISTOR	47kΩ 1/10W J	1	
R273		RK73GB2A183J	MG RESISTOR	18kΩ 1/10W J	1	
R274		RK73GB2A474J	MG RESISTOR	470kΩ 1/10W J	1	
R275		RK73GB2A202J	MG RESISTOR	2kΩ 1/10W J	1	
R276		RK73GB2A473J	MG RESISTOR	47kΩ 1/10W J	1	
R278		RK73GB2A103J	MG RESISTOR	10kΩ 1/10W J	1	
R279		RK73GB2A103J	MG RESISTOR	10kΩ 1/10W J	1	
R280		RK73GB2A823J	MG RESISTOR	82kΩ 1/10W J	1	
R281		RK73GB2A222J	MG RESISTOR	2.2kΩ 1/10W J	1	
R282		RK73GB2A102J	MG RESISTOR	1kΩ 1/10W J	1	
R283		RK73GB2A333J	MG RESISTOR	33kΩ 1/10W J	1	
R284		RK73GB2A154J	MG RESISTOR	150kΩ 1/10W J	1	
R285		RK73GB2A472J	MG RESISTOR	4.7kΩ 1/10W J	1	
R286		RK73GB2A103J	MG RESISTOR	10kΩ 1/10W J	1	
R287		RK73GB2A103J	MG RESISTOR	10kΩ 1/10W J	1	
R288		RK73GB2A472J	MG RESISTOR	4.7kΩ 1/10W J	1	
R289		RK73GB2A273J	MG RESISTOR	27kΩ 1/10W J	1	
R291		RK73GB2A101J	MG RESISTOR	100Ω 1/10W J	1	
R293		RK73GB2A182J	MG RESISTOR	1.8kΩ 1/10W J	1	
R294		RK73GB2A182J	MG RESISTOR	1.8kΩ 1/10W J	1	
R295		RK73GB2A101J	MG RESISTOR	100Ω 1/10W J	1	
R296		RK73GB2A101J	MG RESISTOR	100Ω 1/10W J	1	
R298		RK73GB2A102J	MG RESISTOR	1kΩ 1/10W J	1	
R299		RK73GB2A474J	MG RESISTOR	470kΩ 1/10W J	1	
R301		RK73GB2A682J	MG RESISTOR	6.8kΩ 1/10W J	1	
R305		RK73GB2A393J	MG RESISTOR	39kΩ 1/10W J	1	
R306		RK73GB2A333J	MG RESISTOR	33kΩ 1/10W J	1	
R307		RK73GB2A473J	MG RESISTOR	47kΩ 1/10W J	1	
R308		RK73GB2A473J	MG RESISTOR	47kΩ 1/10W J	1	
R309		RK73GB2A300J	MG RESISTOR	30Ω 1/10W J	1	
R310		RK73GB2A300J	MG RESISTOR	30Ω 1/10W J	1	
R312		RK73GB2A472J	MG RESISTOR	4.7kΩ 1/10W J	1	
R313		RK73GB2A472J	MG RESISTOR	4.7kΩ 1/10W J	1	
R314		RK73GB2A223J	MG RESISTOR	22kΩ 1/10W J	1	
L1		L33-3224-05	CHOKE COIL		1	
L2		L33-3224-05	CHOKE COIL		1	
L101		L33-3224-05	CHOKE COIL		1	
L102		L33-3224-05	CHOKE COIL		1	
L201		L19-0856-05	CONVERT TRANS		1	
L202		L33-3209-05	CHOKE COIL		1	
CN1		E41-1688-05	PIN ASSY		1	
J1		E58-1043-05	R.RECEPTACLE		1	
TH202		NCP18WB473J0S	N THERMISTOR	47kΩ	1	