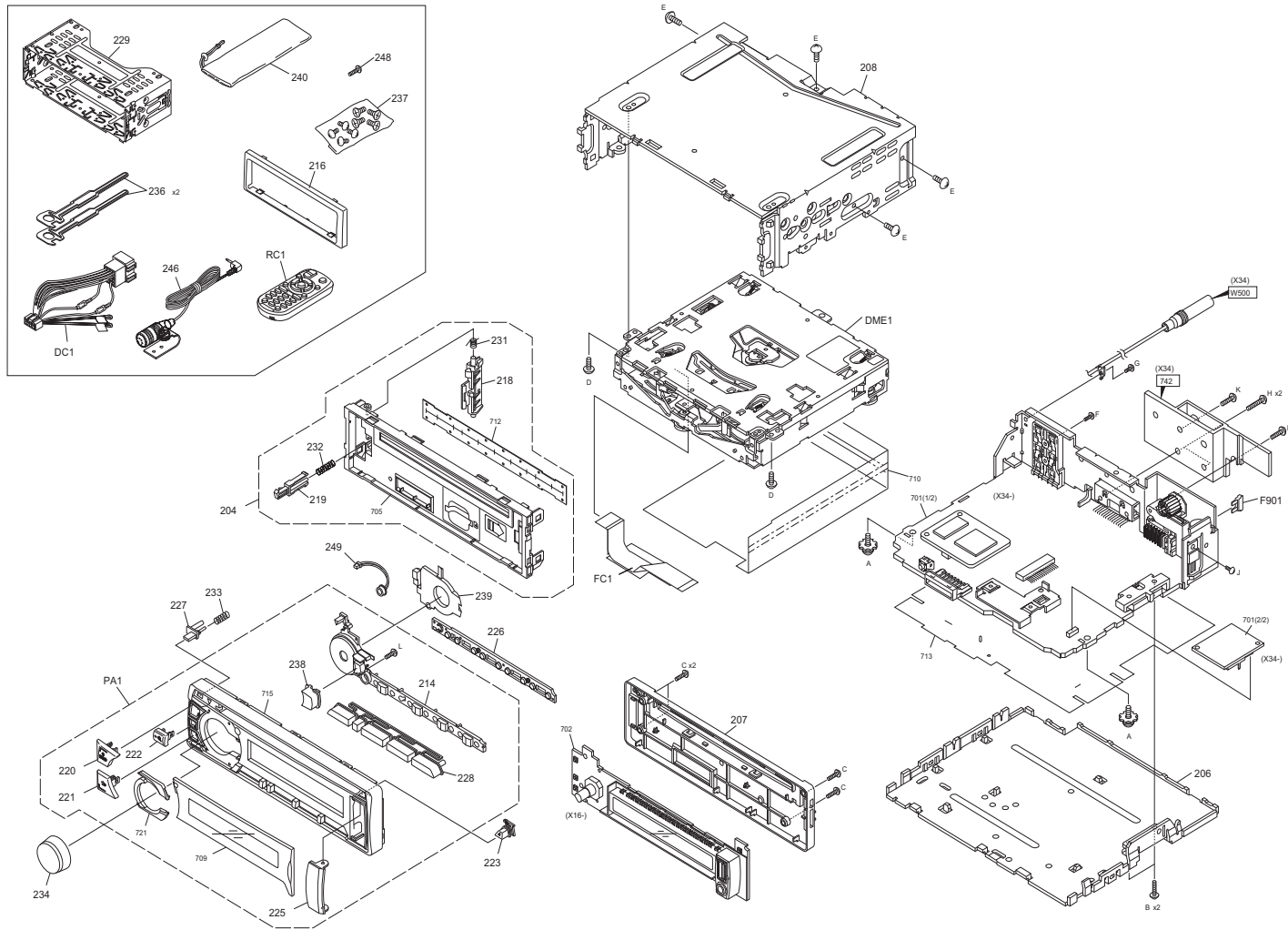


EXPLODED VIEW (UNIT)

Block No.200



Parts with the exploded numbers larger than 700 are not supplied.

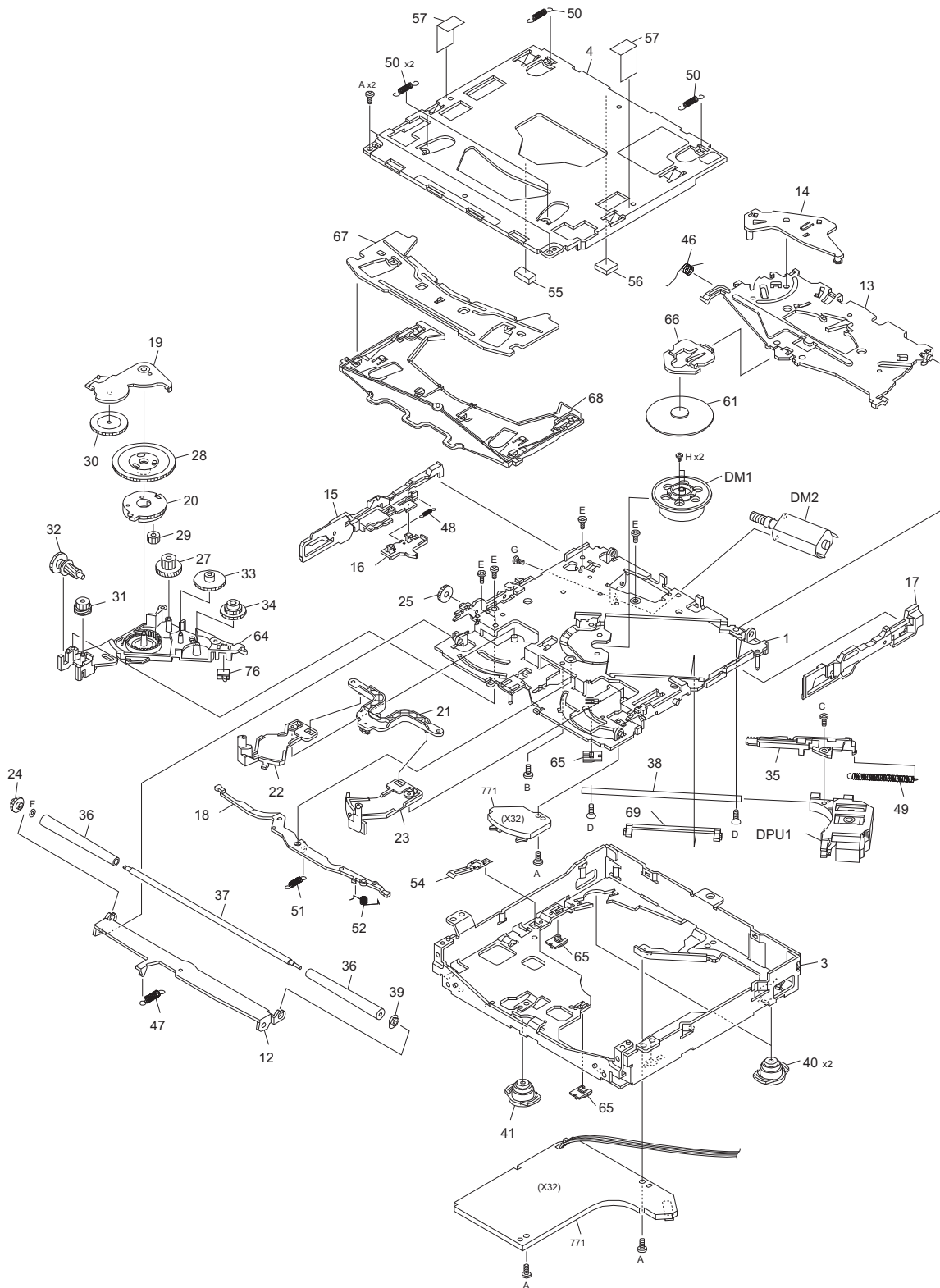
MODEL	MARK	MODEL	MARK
KDC-BT752HD	K0	KDC-X796	K1

Safe	Symbol No.	Parts No.	Parts Name	Description	QTY	Local
<b>EXPLODED VIEW (UNIT) &lt;200&gt;</b>						
△	DC1	E30-6933-05	DC CORD	K OEM REMO	1	
	DME1	X92-6370-04	MECHANISM ASSY	DXM-9B24W	1	
△	F901	F52-0023-05	FUSE	32V 10A	1	
	FC1	E39-1077-05	FLAT CABLE	30PIN 1MM	1	
	PA1	A64-5358-12	PANEL ASSY		1	K0
	PA1	A64-5359-12	PANEL ASSY		1	K1
	RC1	A70-2104-05	REMOTE CONTROLLER RC-405 ASSY		1	
	A	N09-6758-05	TAPTITE SCREW		2	
	B	N35-2610-48	BINDING HEAD	M2.6 x 10mm	2	
	C	N80-2008-43	MACHINE SCREW			
	C	N80-2008-43	PAN HEAD TAPTITE	2mm x 8mm	4	
	D	N86-2604-43	SCREW			
	D	N86-2604-43	BINDING HEAD TAPTITE	2.6mm x 4mm	2	
	E	N86-2606-48	SCREW			
	E	N86-2606-48	BINDING HEAD TAPTITE	2.6mm x 6mm	4	
	F	N80-3008-48	SCREW			
	F	N80-3008-48	PAN HEAD TAPTITE	3mm x 8mm	1	
	G	N83-3005-48	SCREW			
	G	N83-3005-48	PAN HEAD TAPTITE	3mm x 5mm B	1	
	H	N84-3014-48	SCREW			
	H	N84-3014-48	PAN HEAD TAPTITE	3mm x 14mm	2	
	J	N86-2606-48	SCREW			
	J	N86-2606-48	BINDING HEAD TAPTITE	2.6mm x 6mm	1	
	K	N89-3010-48	SCREW			
	K	N89-3010-48	BINDING HEAD TAPTITE		2	
	L	QYSPSF2006ZA	SCREW			
	L	QYSPSF2006ZA	TAP SCREW	M2 x 6mm	1	
	204	A22-3297-13	SUB PANEL ASSY		1	
	206	A40-1420-11	BOTTOM PLATE		1	
	207	A46-1929-01	REAR COVER		1	
	208	A52-1156-01	TOP COVER		1	
	214	GE10309-001A	LIGHT GUIDE	USB	1	
	216	GE20300-001A	TRIM PLATE	MN1-0	1	K0
	216	GE20291-001A	TRIM PLATE	MN1-0	1	K1
	218	GE34045-001A	LOCK LEVER		1	
	219	GE34046-001A	RELEASE LEVER		1	
	220	GE34291-001A	SRC BUTTON		1	
	221	GE34292-001A	BACK BUTTON		1	
	222	GE34293-002A	SEARCH BTN		1	
	223	GE34497-001A	EJECT BUTTON		1	
	225	GE34502-001A	USB DOOR COVER		1	
	226	GE34504-001A	CONDUCT. RUBBER		1	
	227	GE34505-001A	DETACH BUTTON		1	
	228	GE34517-001A	PRESET BTN		1	
	229	J22-2049-03	MOUNTING HARDWARE ASSY		1	
	231	GE40504-001A	SPRING		1	
	232	GE40505-001A	SPRING		1	
	233	GE40505-002A	SPRING		1	
	234	GE40562-003A	VOL KNOB RUBBER		1	
	236	D10-7139-04	LEVER		2	
	237	N99-1757-15	SCREW SET		1	
	238	K28-0498-03	KEY TOP	TEL	1	
	239	GE34500-001A	LIGHTING LENS		1	
	240	W01-1710-05	CARRYING CASE	EXCELON	1	K0
	240	W01-1664-05	CARRYING CASE	EXCELON	1	K1
	246	W01-1768-15	MICROPHONE	SENSITIVITY 42dB	1	K1
	248	N80-2008-48	PAN HEAD TAPTITE	2mm x 8mm	1	
	249	T91-1007-05	SCREW			
	249	T91-1007-05	MICROPHONE ASSY		1	K0
-	-	B64-4935-00	INSTRUCTION MANUAL	ENG FRE SPA	1	
-	-	H54-5171-03	ITEM CARTON CASE		1	K0
-	-	H54-5172-03	ITEM CARTON CASE		1	K1

# EXPLODED VIEW (CD MECHANISM)

Block No.130

DXM-9B24W



Parts with the exploded numbers larger than 700 are not supplied.

No.WA010

created date:2012-02-15

MODEL	MARK	MODEL	MARK
KDC-BT752HD	K0	KDC-X796	K1

Safe	Symbol No.	Parts No.	Parts Name	Description	QTY	Local
------	------------	-----------	------------	-------------	-----	-------

EXPLODED VIEW (CD MECHANISM) <130>

	DM1	X94-2090-00	SPINDLE MOTOR ASSY		1	
	DM2	X94-2100-00	FEED MOTOR ASSY	LOAD/SLED	1	
	DPU1	X93-2280-00	(LOAD/SLED)		1	
	A	N09-6108-15	OPTICAL PICKUP ASSY		1	
	B	N09-6426-15	TAPTITE SCREW	M2 x 3.5mm	5	
	C	N09-6735-05	MACHINE SCREW		1	
	D	N09-6737-15	TAPTITE SCREW		1	
	E	N09-6738-15	MACHINE SCREW		2	
	F	N19-2335-14	TAPTITE SCREW		4	
	G	N35-2003-48	FLAT WASHER		1	
			BINDING HEAD	M2 x 3mm	1	
			MACHINE SCREW		1	
	H	N39-1720-48	PAN HEAD MACHINE SCREW	M1.7 x 2.0mm	2	
	1	A10-5450-73	CHASSIS ASSY		1	
	12	D10-4993-62	LEVER		1	
	13	D10-4991-22	ARM		1	
	14	D10-4992-23	ARM		1	
	15	D10-4994-02	SLIDER		1	
	16	D10-4995-03	SLIDER		1	
	17	D10-4996-02	SLIDER		1	
	18	D10-4997-03	LEVER		1	
	19	D10-4998-03	ARM		1	
	20	D10-4999-03	ARM		1	
	21	D10-7001-03	ARM		1	
	22	D10-7002-03	ARM		1	
	23	D10-7003-03	ARM		1	
	24	D13-2445-04	GEAR		1	
	25	D13-2446-04	GEAR		1	
	27	D13-2448-04	GEAR		1	
	28	D13-2449-04	GEAR		1	
	29	D13-2450-04	GEAR		1	
	3	A10-5574-01	CHASSIS		1	
	30	D13-2451-04	GEAR		1	
	31	D13-2452-04	GEAR		1	
	32	D13-2453-04	GEAR		1	
	33	D13-2454-04	GEAR		1	
	34	D13-2455-04	GEAR		1	
	35	D13-2456-03	RACK (GEAR)	GEAR	1	
	36	D14-1028-04	ROLLER		2	
	37	D21-2507-04	SHAFT		1	
	38	D21-2508-04	SHAFT		1	
	39	D23-0963-04	RETAINER		1	
	4	A10-5453-32	CHASSIS		1	
	40	D39-0277-15	DAMPER		2	
	41	D39-0278-15	DAMPER		1	
	46	G01-4682-34	TORSION COIL SPRING		1	
	47	G01-4756-04	EXTENSION SPRING		1	
	48	G01-4684-04	EXTENSION SPRING		1	
	49	G01-4685-04	EXTENSION SPRING		1	
	50	G01-4686-14	EXTENSION SPRING		4	
	51	G01-4688-14	EXTENSION SPRING		1	
	52	G01-4692-24	TORSION COIL SPRING		1	
	54	G02-1588-04	FLAT SPRING		1	
	55	G13-1297-04	CUSHION		1	
	56	G13-1299-14	CUSHION		1	
	57	G16-1715-04	SHEET		2	
	61	J11-0675-03	CLAMPER		1	
	64	J19-7210-21	HOLDER		1	
	65	J19-7225-04	HOLDER		3	
	66	J22-0706-03	MOUNTING HARDWARE		1	
	67	J22-0707-12	MOUNTING HARDWARE		1	
	68	J90-1166-11	GUIDE		1	

	69	J90-1168-03	RAIL		1	
	76	S68-0921-05	PUSH SWITCH		1	

ELECTRIC UNIT (X34-7330-1x) <X34>

	IC1	BD49131-V4	ANALOGUE IC		1	
	IC21	BU33TD3WG	ANALOGUE IC		1	
	IC51	MP2560DN-C413	ANALOGUE IC		1	
	IC61	AN33013UA-VB	ANALOGUE IC		1	
	IC201	W10-0731-08	INTEGRATED CIRCUIT(MCU)		1	
	IC202	XC6119N28AN-G	MOS-IC		1	
	IC203	BR24T256FVT-W	ROM IC		1	
	IC261	MFI341S2162	MICROPROCESSOR IC		1	
	IC301	TC7SET125FU-F	MOS-IC		1	
	IC401	TDA7720-X	IC		1	
	IC500	TDA7706	INTEGRATED CIRCUIT(MOS-IC)		1	
	IC570	BD12KA5WFP	ANALOGUE IC		1	
	IC580	BA50BC0WFP	ANALOGUE IC		1	
	IC801	TB2931HQ	ANALOGUE IC		1	
	IC901	BA4560RFV	ANALOGUE IC		1	
	IC902	BD18KA5WFP	ANALOGUE IC		1	
	Q1	KTA1046-P	TRANSISTOR		1	
	Q2	LSCR523UBFS8	TRANSISTOR		1	
	Q3	LTC024EUBFS8	TRANSISTOR		1	
	Q4	LTA024EUBFS8	TRANSISTOR		1	
	Q7	LTC043ZUBFS8	TRANSISTOR		1	
	Q8	LTA024EUBFS8	TRANSISTOR		1	

MODEL	MARK	MODEL	MARK
KDC-BT752HD	K0	KDC-X796	K1

Safe	Symbol No.	Parts No.	Parts Name	Description	QTY	Local
	Q9	LTC043ZUBFS8	TRANSISTOR		1	
	Q10	LTA024EUBFS8	TRANSISTOR		1	
	Q51	LTC043ZUBFS8	TRANSISTOR		1	
	Q52	LTC043ZUBFS8	TRANSISTOR		1	
	Q61	LTC043ZUBFS8	TRANSISTOR		1	
	Q91	LTC043ZUBFS8	TRANSISTOR		1	
	Q92	2SB1188(Q,R)	TRANSISTOR		1	
	Q93	LSCR523UBFS8	TRANSISTOR		1	
	Q94	LSAR523UBFS8	TRANSISTOR		1	
	Q95	LSAR523UBFS8	TRANSISTOR		1	
	Q96	LSAR523UBFS8	TRANSISTOR		1	
	Q101	LSCR523UBFS8	TRANSISTOR		1	
	Q102	LSCR523UBFS8	TRANSISTOR		1	
	Q103	LSCR523UBFS8	TRANSISTOR		1	
	Q104	LSCR523UBFS8	TRANSISTOR		1	
	Q301	DTA123JUA	DIGI TRANSISTOR		1	
	Q701	LTC043TUBFS8	TRANSISTOR		1	
	Q702	LTC043TUBFS8	TRANSISTOR		1	
	Q703	LTC043TUBFS8	TRANSISTOR		1	
	Q704	LTC043TUBFS8	TRANSISTOR		1	
	Q705	LTC043TUBFS8	TRANSISTOR		1	
	Q706	LTC043TUBFS8	TRANSISTOR		1	
	Q707	LTA014YUBFS8	TRANSISTOR		1	
	Q708	LTA014YUBFS8	TRANSISTOR		1	
	D1	S2V60-5009F46	DIODE		1	
	D2	RKZ8.2KG(B2)	Z DIODE		1	
	D3	GS1J-LTP-X	DIODE		1	
	D4	MC2848-T111	DIODE		1	
	D51	CMS14	DIODE		1	
	D52	RKS801KF	DIODE		1	
	D61	CMS14	DIODE		1	
	D91	RKZ5.1KG(B2)	Z DIODE		1	
	D92	RKS801KF	DIODE		1	
	D101	GS1J-LTP-X	DIODE		1	
	D102	GS1J-LTP-X	DIODE		1	
	D105	MC2846-T111	DIODE		1	
	D106	UDZW6.8(B)	Z DIODE		1	
	D107	UDZW6.8(B)	Z DIODE		1	
	D108	UDZW6.8(B)	Z DIODE		1	
	D201	RB521S-30	DIODE		1	
	D202	RKZ5.1KG(B2)	Z DIODE		1	
	D301	MC2850-T111	DIODE		1	
	D302	RKZ6.8KG(B2)	Z DIODE		1	
	D303	RKZ6.8KG(B2)	Z DIODE		1	
	D304	RKZ6.8KG(B2)	Z DIODE		1	
	D305	VR105C3R3BAA	VARISTOR		1	
	D306	VR105C3R3BAA	VARISTOR		1	
	D307	HZM6.8ZMWA-E	Z DIODE		1	
	D321	RKZ4.7KG(B2)	Z DIODE		1	
	D322	RKZ4.7KG(B2)	Z DIODE		1	
	D401	MC2846-T111	DIODE		1	
	D500	IMS A-6802-E	SURGE ABSORBER		1	
	D501	KP2311ETR-G	DIODE		1	
	D502	KP2311ETR-G	DIODE		1	
	D555	MC2850-T111	DIODE		1	
	D701	MC2846-T111	DIODE		1	
	D702	MC2846-T111	DIODE		1	
	D801	MC2846-T111	DIODE		1	
	D921	RKZ4.7KG(B2)	Z DIODE		1	K1
	D922	RKZ4.7KG(B2)	Z DIODE		1	K1
	C1	CD04AZ1C332M2	ELECTRO	3300uF 16W V	1	
	C4	CK73GB1C104K	CHIP C	0.10uF 16V K	1	
	C6	CK73GB1H104K	CHIP C	0.10uF 50V K	1	
	C8	CD04BN1C221M	ELECTRO	220uF 16W V	1	
	C9	CD04AS0J101M	ELECTRO	100uF 6.3W V	1	
	C10	CK73GB1C104K	CHIP C	0.10uF 16V K	1	
	C11	CK73GB1C104K	CHIP C	0.10uF 16V K	1	
	C12	CK73GB1C104K	CHIP C	0.10uF 16V K	1	
	C13	CK73GB1C104K	CHIP C	0.10uF 16V K	1	
	C16	C90-6991-05	ELECTRO	100uF 16W V	1	
	C22	CK73GB1A105K	CHIP C	1.0uF 10V K	1	
	C23	CK73GB1A105K	CHIP C	1.0uF 10V K	1	
	C24	CD04AS0J470M	ELECTRO	47uF 6.3W V	1	
	C52	CK73FB0J106K	CHIP C	10uF 6.3V K	1	
	C53	CC73HCH1H221J	CHIP C	220pF 50V J	1	
	C54	CK73GB1C104K	CHIP C	0.10uF 16V K	1	
	C55	CK73GB1H102K	CHIP C	1000pF 50V K	1	
	C56	CK73EB1H475K	CHIP C	4.7uF 50V K	1	
	C60	CK73FB0J226M	CHIP C	22uF M	1	
	C62	CK73GB1C104K	CHIP C	0.10uF 16V K	1	
	C63	CK73EB1H475K	CHIP C	4.7uF 50V K	1	
	C64	CK73GB1C104K	CHIP C	0.10uF 16V K	1	
	C66	CC73GC1H471J	CHIP C	470pF 50V J	1	
	C67	CC73HCH1H270J	CHIP C	27pF 50V J	1	
	C68	CK73GB1H222K	CHIP C	2200pF 50V K	1	
	C69	CC73GC1H471J	CHIP C	470pF 50V J	1	
	C71	CK73GB1C104K	CHIP C	0.10uF 16V K	1	
	C72	CK73GB1A105K	CHIP C	1.0uF 10V K	1	
	C80	CK73GB1C104K	CHIP C	0.10uF 16V K	1	
	C81	CD04BR1C221M	ELECTRO	220uF 16W V	1	
	C91	CK73GB1H102K	CHIP C	1000pF 50V K	1	
	C92	CK73GB1A105K	CHIP C	1.0uF 10V K	1	
	C93	CC73HCH1H470J	CHIP C	47pF 50V J	1	

MODEL	MARK	MODEL	MARK
KDC-BT752HD	K0	KDC-X796	K1

Safe	Symbol No.	Parts No.	Parts Name	Description	QTY	Local
	C95	CD04BN1C221M	ELECTRO	220uF 16W V	1	
	C101	CK73GB1H103K	CHIP C	0.010uF 50V K	1	
	C102	CK73GB1H104K	CHIP C	0.10uF 50V K	1	
	C202	CC73HCH1H180J	CHIP C	18pF 50V J	1	
	C203	CC73HCH1H220J	CHIP C	22pF 50V J	1	
	C204	CK73GB1C104K	CHIP C	0.10uF 16V K	1	
	C205	CK73GB1C104K	CHIP C	0.10uF 16V K	1	
	C210	CK73HB1A104K	CHIP C	0.10uF 10V K	1	
	C211	CK73HB1A104K	CHIP C	0.10uF 10V K	1	
	C212	CK73GB1C104K	CHIP C	0.10uF 16V K	1	
	C213	CK73GB1C104K	CHIP C	0.10uF 16V K	1	
	C214	CK73GB1C104K	CHIP C	0.10uF 16V K	1	
	C215	CK73HB1A104K	CHIP C	0.10uF 10V K	1	
	C216	CK73HB1A104K	CHIP C	0.10uF 10V K	1	
	C217	CC73HCH1H080D	CHIP C	8.0pF 50V D	1	
	C218	CC73HCH1H080D	CHIP C	8.0pF 50V D	1	
	C261	CK73HB1A104K	CHIP C	0.10uF 10V K	1	
	C301	CD04AS1HR47M	ELECTRO	0.47uF 50W V	1	
	C302	CD04AS1HR47M	ELECTRO	0.47uF 50W V	1	
	C303	CK73GB1C104K	CHIP C	0.10uF 16V K	1	
	C304	CK73GB1C104K	CHIP C	0.10uF 16V K	1	
	C305	CK73GB1H102K	CHIP C	1000pF 50V K	1	
	C306	CK73GB1H102K	CHIP C	1000pF 50V K	1	
	C307	CD04AS0J470M	ELECTRO	47uF 6.3V V	1	
	C308	CK73GB1H103K	CHIP C	0.010uF 50V K	1	
	C311	CC73GCH1H020C	CHIP C	2.0pF 50V C	1	
	C315	CK73GB1H102K	CHIP C	1000pF 50V K	1	
	C316	CK73HB1H471K	CHIP C	470pF 50V K	1	
	C401	CD04AS1C470M	ELECTRO	47uF 16W V	1	
	C403	CD04AS1H010M	ELECTRO	1uF 50W V	1	
	C404	CK73GB1A105K	CHIP C	1.0uF 10V K	1	
	C405	CK73GB1A105K	CHIP C	1.0uF 10V K	1	
	C406	CK73GB1A105K	CHIP C	1.0uF 10V K	1	
	C407	CK73GB1A105K	CHIP C	1.0uF 10V K	1	
	C502	CC73HCH1H330J	CHIP C	33pF 50V J	1	
	C503	CK73HB1H102K	CHIP C	1000pF 50V K	1	
	C504	CC73HCH1H060D	CHIP C	6.0pF 50V D	1	
	C505	CC73HCH1H470J	CHIP C	47pF 50V J	1	
	C507	CK73HB1H102K	CHIP C	1000pF 50V K	1	
	C509	CK73HB1E103K	CHIP C	0.010uF 25V K	1	
	C510	CK73HB1E103K	CHIP C	0.010uF 25V K	1	
	C511	CK73HB1A104K	CHIP C	0.10uF 10V K	1	
	C512	CK73GB1A105K	CHIP C	1.0uF 10V K	1	
	C513	CK73HB1A104K	CHIP C	0.10uF 10V K	1	
	C514	CK73HB1A104K	CHIP C	0.10uF 10V K	1	
	C515	CK73HB1E103K	CHIP C	0.010uF 25V K	1	
	C516	CK73HB1E103K	CHIP C	0.010uF 25V K	1	
	C517	CK73FB0J106K	CHIP C	10uF 6.3V K	1	
	C518	CK73FB0J106K	CHIP C	10uF 6.3V K	1	
	C519	CK73GB1C104K	CHIP C	0.10uF 16V K	1	
	C520	CK73GB1H103K	CHIP C	0.010uF 50V K	1	
	C521	CK73HB1H102K	CHIP C	1000pF 50V K	1	
	C522	CC73HCH1H040C	CHIP C	4.0pF 50V C	1	
	C523	CC73HCH1H120J	CHIP C	12pF 50V J	1	
	C524	CC73GCH1H020C	CHIP C	2.0pF 50V C	1	
	C525	CK73HB1H102K	CHIP C	1000pF 50V K	1	
	C526	CK73HB1E103K	CHIP C	0.010uF 25V K	1	
	C527	CK73GB1C104K	CHIP C	0.10uF 16V K	1	
	C528	CC73HCH1H820J	CHIP C	82pF 50V J	1	
	C529	CC73HCH1H101J	CHIP C	100pF 50V J	1	
	C530	CK73HB1E103K	CHIP C	0.010uF 25V K	1	
	C531	CK73HB1A104K	CHIP C	0.10uF 10V K	1	
	C532	CK73GB1A474K	CHIP C	0.47uF 10V K	1	
	C533	CK73HB1E103K	CHIP C	0.010uF 25V K	1	
	C534	CK73HB1E103K	CHIP C	0.010uF 25V K	1	
	C535	CK73GB1H102K	CHIP C	1000pF 50V K	1	
	C537	CK73GB1A105K	CHIP C	1.0uF 10V K	1	
	C538	CK73GB1C104K	CHIP C	0.10uF 16V K	1	
	C548	CC73GCH1H040C	CHIP C	4.0pF 50V C	1	
	C549	CC73GCH1H040C	CHIP C	4.0pF 50V C	1	
	C550	CD04AS1V100M	ELECTRO	10uF 35W V	1	
	C551	CK73GB0J225K	CHIP C	2.2uF 6.3V K	1	
	C552	CK73HB1A104K	CHIP C	0.10uF 10V K	1	
	C553	CK73GB1C104K	CHIP C	0.10uF 16V K	1	
	C554	CK73GB0J225K	CHIP C	2.2uF 6.3V K	1	
	C555	CK73GB1C104K	CHIP C	0.10uF 16V K	1	
	C556	CK73GB1C104K	CHIP C	0.10uF 16V K	1	
	C557	CC73HCH1H100D	CHIP C	10pF 50V D	1	
	C558	CC73HCH1H100D	CHIP C	10pF 50V D	1	
	C559	CK73GB1H102K	CHIP C	1000pF 50V K	1	
	C560	CK73GB1A105K	CHIP C	1.0uF 10V K	1	
	C561	CK73HB1A104K	CHIP C	0.10uF 10V K	1	
	C562	CK73HB0J105K	CHIP C	1.0uF 6.3V K	1	
	C563	CK73GB1H472K	CHIP C	4700pF 50V K	1	
	C564	CK73GB1H472K	CHIP C	4700pF 50V K	1	
	C565	CK73HB0J224K	CHIP C	0.22uF 6.3V K	1	
	C566	CK73HB1E103K	CHIP C	0.010uF 25V K	1	
	C567	CK73GB1A105K	CHIP C	1.0uF 10V K	1	
	C568	CK73GB1A105K	CHIP C	1.0uF 10V K	1	
	C571	CK73GB1A105K	CHIP C	1.0uF 10V K	1	
	C572	CK73GB1A105K	CHIP C	1.0uF 10V K	1	
	C573	CC73GCH1H020C	CHIP C	2.0pF 50V C	1	

MODEL	MARK	MODEL	MARK
KDC-BT752HD	K0	KDC-X796	K1

Safe	Symbol No.	Parts No.	Parts Name	Description	QTY	Local
	C575	CK73GB1A105K	CHIP C	1.0uF 10V K	1	
	C580	CK73GB1A474K	CHIP C	0.47uF 10V K	1	
	C581	CD04BR1E220M	ELECTRO	22uF 25V V	1	
	C584	CK73HB1E103K	CHIP C	0.010uF 25V K	1	
	C591	CD04AS1V100M	ELECTRO	10uF 35V V	1	
	C592	CD04AS1V100M	ELECTRO	10uF 35V V	1	
	C593	CK73GB1H103K	CHIP C	0.010uF 50V K	1	
	C594	CK73GB1H103K	CHIP C	0.010uF 50V K	1	
	C701	CD04AS1V100M	ELECTRO	10uF 35V V	1	
	C702	CD04AS1V100M	ELECTRO	10uF 35V V	1	
	C703	CD04AS1V100M	ELECTRO	10uF 35V V	1	
	C704	CD04AS1V100M	ELECTRO	10uF 35V V	1	
	C705	CD04AS1V100M	ELECTRO	10uF 35V V	1	
	C706	CD04AS1V100M	ELECTRO	10uF 35V V	1	
	C801	CK73GB1C224K	CHIP C	0.22uF 16V K	1	
	C802	CK73GB1C224K	CHIP C	0.22uF 16V K	1	
	C803	CK73GB1C224K	CHIP C	0.22uF 16V K	1	
	C804	CK73GB1C224K	CHIP C	0.22uF 16V K	1	
	C805	CD04AS1V100M	ELECTRO	10uF 35V V	1	
	C806	CK73GB1A105K	CHIP C	1.0uF 10V K	1	
	C807	CK73HB0J105K	CHIP C	1.0uF 6.3V K	1	
	C808	CK73GB1A105K	CHIP C	1.0uF 10V K	1	
	C901	CK73GB1C104K	CHIP C	0.10uF 16V K	1	
	C902	CD04AS0J101M	ELECTRO	100uF 6.3W V	1	
	C903	CC73GCH1H470J	CHIP C	47pF 50V J	1	
	C904	CC73GCH1H470J	CHIP C	47pF 50V J	1	
	C905	CK73GB1A105K	CHIP C	1.0uF 10V K	1	
	C906	CK73GB1A105K	CHIP C	1.0uF 10V K	1	
	C908	C90-6989-05	ELECTRO	330uF 6.3W V	1	
	C909	CK73GB1C104K	CHIP C	0.10uF 16V K	1	
	C910	CD04BN1C221M	ELECTRO	220uF 16W V	1	
	C912	CK73GB1C104K	CHIP C	0.10uF 16V K	1	
	C913	CK73FB0J106K	CHIP C	10uF 6.3V K	1	
	C915	CK73FB0J106K	CHIP C	10uF 6.3V K	1	
	C918	CK73GB1A105K	CHIP C	1.0uF 10V K	1	
	C919	CK73GB1A105K	CHIP C	1.0uF 10V K	1	
	C920	CC73GCH1H470J	CHIP C	47pF 50V J	1	
	C921	CC73GCH1H470J	CHIP C	47pF 50V J	1	
	C927	CK73GB1A105K	CHIP C	1.0uF 10V K	1	
	C928	CK73GB1A105K	CHIP C	1.0uF 10V K	1	
	C941	CK73GB1A105K	CHIP C	1.0uF 10V K	1	K0
	C942	CK73GB1A105K	CHIP C	1.0uF 10V K	1	K0
	C943	CK73GB1A105K	CHIP C	1.0uF 10V K	1	K1
	C944	CK73GB1A105K	CHIP C	1.0uF 10V K	1	K1
	R1	RK73FB2B102J	CHIP R	1.0kΩ J 1/8W	1	
	R2	RK73HB1J102J	CHIP R	1.0kΩ J 1/16W	1	
	R11	RK73EB2E000J	CHIP R	0.0Ω J 1/4W	1	
	R50	RK73GB2A302J	CHIP R	3.0kΩ J 1/10W	1	
	R51	RK73GH2A243D	CHIP R	24kΩ D 1/10W	1	
	R52	RK73GH2A753D	CHIP R	75kΩ D 1/10W	1	
	R53	RK73HB1J683J	CHIP R	68kΩ J 1/16W	1	
	R54	RK73GH2A304D	CHIP R	300kΩ D 1/10W	1	
	R55	RK73GH2A164D	CHIP R	160kΩ D 1/10W	1	
	R56	RK73GH2A913D	CHIP R	91kΩ D 1/10W	1	
	R57	RK73HB1J102J	CHIP R	1.0kΩ J 1/16W	1	
	R58	RK73HB1J473J	CHIP R	47kΩ J 1/16W	1	
	R59	RK73EB2E150J	CHIP R	15Ω J 1/4W	1	
	R61	RK73GH2A273D	CHIP R	27kΩ D 1/10W	1	
	R62	RK73GH2A623D	CHIP R	62kΩ D 1/10W	1	
	R64	RK73GH2A153D	CHIP R	15kΩ D 1/10W	1	
	R65	RK73GB2A152J	CHIP R	1.5kΩ J 1/10W	1	
	R66	R92-5244-05	CHIP R	0.039Ω 1/3W	1	
	R67	RK73GB2A752J	CHIP R	7.5kΩ J 1/10W	1	
	R69	RK73GH2A273D	CHIP R	27kΩ D 1/10W	1	
	R70	RK73EB2E330J	CHIP R	33Ω J 1/4W	1	
	R71	RK73EB2E470J	CHIP R	47Ω J 1/4W	1	
	R72	RK73EB2E470J	CHIP R	47Ω J 1/4W	1	
	R76	RK73HB1J223J	CHIP R	22kΩ J 1/16W	1	
	R77	RK73HB1J101J	CHIP R	100Ω J 1/16W	1	
	R91	RK73GB2A103J	CHIP R	10kΩ J 1/10W	1	
	R92	RK73FB2B152J	CHIP R	1.5kΩ J 1/8W	1	
	R93	RK73FB2B201J	CHIP R	200Ω J 1/8W	1	
	R94	RK73FB2B4R7J	CHIP R	4.7Ω J 1/8W	1	
	R95	RK73FB2B561J	CHIP R	560Ω J 1/8W	1	
	R96	RK73GH2A562D	CHIP R	5.6kΩ D 1/10W	1	
	R97	RK73GH2A432D	CHIP R	4.3kΩ D 1/10W	1	
	R98	RK73FB2B432J	CHIP R	4.3kΩ J 1/8W	1	
	R101	RK73FB2B472J	CHIP R	4.7kΩ J 1/8W	1	
	R103	RK73EB2E102J	CHIP R	1.0kΩ J 1/4W	1	
	R104	RK73EB2E102J	CHIP R	1.0kΩ J 1/4W	1	
	R105	RK73EB2E102J	CHIP R	1.0kΩ J 1/4W	1	
	R106	RK73EB2E333J	CHIP R	33kΩ J 1/4W	1	
	R107	RK73GB2A103J	CHIP R	10kΩ J 1/10W	1	
	R108	RK73GB2A223J	CHIP R	22kΩ J 1/10W	1	
	R109	RK73FB2B683J	CHIP R	68kΩ J 1/8W	1	
	R110	RK73GB2A103J	CHIP R	10kΩ J 1/10W	1	
	R111	RK73EB2E203J	CHIP R	20kΩ J 1/4W	1	
	R112	RK73HB1J104J	CHIP R	100kΩ J 1/16W	1	
	R113	RK73GB2A103J	CHIP R	10kΩ J 1/10W	1	
	R114	RK73HB1J103J	CHIP R	10kΩ J 1/16W	1	
	R115	RK73GB2A103J	CHIP R	10kΩ J 1/10W	1	
	R117	RK73GB2A123J	CHIP R	12kΩ J 1/10W	1	
	R118	RK73GB2A683J	CHIP R	68kΩ J 1/10W	1	

MODEL	MARK	MODEL	MARK
KDC-BT752HD	K0	KDC-X796	K1

Safe	Symbol No.	Parts No.	Parts Name	Description	QTY	Local
	R119	RK73GB2A103J	CHIP R	10kΩ J 1/10W	1	
	R124	RK73HB1J363J	CHIP R	36kΩ J 1/16W	1	
	R125	RK73HB1J104J	CHIP R	100kΩ J 1/16W	1	
	R202	RK73GB2A102J	CHIP R	1.0kΩ J 1/10W	1	
	R203	RK73GB2A223J	CHIP R	22kΩ J 1/10W	1	
	R204	RK73GB2A104J	CHIP R	100kΩ J 1/10W	1	
	R205	RK73HB1J102J	CHIP R	1.0kΩ J 1/16W	1	
	R206	RK73GB2A100J	CHIP R	10Ω J 1/10W	1	
	R207	RK73GB2A153J	CHIP R	15kΩ J 1/10W	1	
	R208	RK73GB2A100J	CHIP R	10Ω J 1/10W	1	
	R209	RK73GB2A153J	CHIP R	15kΩ J 1/10W	1	
	R210	RK73GB2A101J	CHIP R	100Ω J 1/10W	1	
	R212	RK73GB2A473J	CHIP R	47kΩ J 1/10W	1	K1
	R213	RK73GB2A473J	CHIP R	47kΩ J 1/10W	1	K0
	R216	RK73HB1J104J	CHIP R	100kΩ J 1/16W	1	
	R217	RK73GB2A473J	CHIP R	47kΩ J 1/10W	1	
	R218	RK73GB2A102J	CHIP R	1.0kΩ J 1/10W	1	
	R219	RK73GB2A473J	CHIP R	47kΩ J 1/10W	1	
	R220	RK73HB1J104J	CHIP R	100kΩ J 1/16W	1	
	R222	RK73HB1J101J	CHIP R	100Ω J 1/16W	1	
	R223	RK73HB1J102J	CHIP R	1.0kΩ J 1/16W	1	
	R224	RK73HB1J101J	CHIP R	100Ω J 1/16W	1	
	R225	RK73HB1J101J	CHIP R	100Ω J 1/16W	1	
	R226	RK73HB1J223J	CHIP R	22kΩ J 1/16W	1	
	R227	RK73HB1J223J	CHIP R	22kΩ J 1/16W	1	
	R228	RK73GB2A101J	CHIP R	100Ω J 1/10W	1	
	R229	RK73GB2A101J	CHIP R	100Ω J 1/10W	1	
	R230	RK73HB1J223J	CHIP R	22kΩ J 1/16W	1	
	R231	RK73HB1J101J	CHIP R	100Ω J 1/16W	1	
	R232	RK73GB2A102J	CHIP R	1.0kΩ J 1/10W	1	
	R233	RK73HB1J101J	CHIP R	100Ω J 1/16W	1	
	R234	RK73HB1J102J	CHIP R	1.0kΩ J 1/16W	1	
	R238	RK73EB2E471J	CHIP R	470Ω J 1/4W	1	
	R240	RK73GB2A332J	CHIP R	3.3kΩ J 1/10W	1	
	R241	RK73GB2A332J	CHIP R	3.3kΩ J 1/10W	1	
	R242	RK73GB2A000J	CHIP R	0.0Ω J 1/10W	1	
	R261	RK73GB2A223J	CHIP R	22kΩ J 1/10W	1	
	R262	RK73HB1J223J	CHIP R	22kΩ J 1/16W	1	
	R263	RK73HB1J333J	CHIP R	33kΩ J 1/16W	1	
	R266	RK73GB2A332J	CHIP R	3.3kΩ J 1/10W	1	
	R267	RK73GB2A332J	CHIP R	3.3kΩ J 1/10W	1	
	R271	RK73HB1J101J	CHIP R	100Ω J 1/16W	1	
	R301	RK73GB2A222J	CHIP R	2.2kΩ J 1/10W	1	
	R302	RK73HB1J101J	CHIP R	100Ω J 1/16W	1	
	R303	RK73GB2A222J	CHIP R	2.2kΩ J 1/10W	1	
	R304	RK73HB1J101J	CHIP R	100Ω J 1/16W	1	
	R305	RK73GB2A222J	CHIP R	2.2kΩ J 1/10W	1	
	R306	RK73GB2A222J	CHIP R	2.2kΩ J 1/10W	1	
	R307	RK73HB1J222J	CHIP R	2.2kΩ J 1/16W	1	
	R308	RK73GB2A222J	CHIP R	2.2kΩ J 1/10W	1	
	R309	RK73HB1J101J	CHIP R	100Ω J 1/16W	1	
	R314	RK73GB2A223J	CHIP R	22kΩ J 1/10W	1	
	R315	RK73GB2A300J	CHIP R	30Ω J 1/10W	1	
	R318	RK73GB2A222J	CHIP R	2.2kΩ J 1/10W	1	
	R319	RK73GB2A222J	CHIP R	2.2kΩ J 1/10W	1	
	R321	RK73GB2A104J	CHIP R	100kΩ J 1/10W	1	
	R322	RK73HB1J104J	CHIP R	100kΩ J 1/16W	1	
	R323	RK73EB2E101J	CHIP R	100Ω J 1/4W	1	
	R324	RK73EB2E102J	CHIP R	1.0kΩ J 1/4W	1	
	R327	RK73HB1J225J	CHIP R	2.2MΩ J 1/16W	1	
	R328	RK73EB2E101J	CHIP R	100Ω J 1/4W	1	
	R329	RK73GB2A332J	CHIP R	3.3kΩ J 1/10W	1	
	R330	RK73GB2A332J	CHIP R	3.3kΩ J 1/10W	1	
	R331	RK73EB2E102J	CHIP R	1.0kΩ J 1/4W	1	
	R332	RK73EB2E222J	CHIP R	2.2kΩ J 1/4W	1	
	R333	RK73EB2E222J	CHIP R	2.2kΩ J 1/4W	1	
	R334	RK73EB2E102J	CHIP R	1.0kΩ J 1/4W	1	
	R335	RK73EB2E102J	CHIP R	1.0kΩ J 1/4W	1	
	R336	RK73EB2E102J	CHIP R	1.0kΩ J 1/4W	1	
	R337	RK73GB2A103J	CHIP R	10kΩ J 1/10W	1	
	R338	RK73GB2A103J	CHIP R	10kΩ J 1/10W	1	
	R339	RK73EB2E100J	CHIP R	10Ω J 1/4W	1	
	R340	RK73EB2E100J	CHIP R	10Ω J 1/4W	1	
	R341	RK73EB2E4R7J	CHIP R	4.7Ω J 1/4W	1	
	R342	RK73EB2E102J	CHIP R	1.0kΩ J 1/4W	1	
	R343	RK73GB2A102J	CHIP R	1.0kΩ J 1/10W	1	
	R345	RK73GB2A000J	CHIP R	0.0Ω J 1/10W	1	
	R401	RK73GB2A103J	CHIP R	10kΩ J 1/10W	1	
	R407	RK73HB1J472J	CHIP R	4.7kΩ J 1/16W	1	
	R501	RK73HB1J221J	CHIP R	220Ω J 1/16W	1	
	R502	RK73HB1J751J	CHIP R	750Ω J 1/16W	1	
	R503	RK73HB1J223J	CHIP R	22kΩ J 1/16W	1	
	R510	RK73EB2E000J	CHIP R	0.0Ω J 1/4W	1	
	R521	RK73HB1J474J	CHIP R	470kΩ J 1/16W	1	
	R522	RK73HB1J474J	CHIP R	470kΩ J 1/16W	1	
	R525	RK73HB1J105J	CHIP R	1.0MΩ J 1/16W	1	
	R526	RK73GB2A330J	CHIP R	33Ω J 1/10W	1	
	R527	RK73HB1J471J	CHIP R	470Ω J 1/16W	1	
	R530	RK73HB1J681J	CHIP R	680Ω J 1/16W	1	
	R534	RK73GB2A473J	CHIP R	47kΩ J 1/10W	1	
	R535	RK73HB1J101J	CHIP R	100Ω J 1/16W	1	
	R536	RK73HB1J101J	CHIP R	100Ω J 1/16W	1	

MODEL	MARK	MODEL	MARK
KDC-BT752HD	K0	KDC-X796	K1

Safe	Symbol No.	Parts No.	Parts Name	Description	QTY	Local
	R541	RK73GB2A511J	CHIP R	510Ω J 1/10W	1	
	R542	RK73GB2A511J	CHIP R	510Ω J 1/10W	1	
	R543	RK73GB2A511J	CHIP R	510Ω J 1/10W	1	
	R548	RK73GB2A332J	CHIP R	3.3kΩ J 1/10W	1	
	R549	RK73GB2A332J	CHIP R	3.3kΩ J 1/10W	1	
	R569	RK73GB2A221J	CHIP R	220Ω J 1/10W	1	
	R570	RK73GB2A221J	CHIP R	220Ω J 1/10W	1	
	R573	RK73GB2A300J	CHIP R	30Ω J 1/10W	1	
	R577	RK73GB2A102J	CHIP R	1.0kΩ J 1/10W	1	
	R581	RK73GB2A102J	CHIP R	1.0kΩ J 1/10W	1	
	R614	RK73GB2A101J	CHIP R	100Ω J 1/10W	1	
	R701	RK73GB2A331J	CHIP R	330Ω J 1/10W	1	
	R702	RK73GB2A331J	CHIP R	330Ω J 1/10W	1	
	R703	RK73GB2A223J	CHIP R	22kΩ J 1/10W	1	
	R704	RK73GB2A223J	CHIP R	22kΩ J 1/10W	1	
	R705	RK73FB2B181J	CHIP R	180Ω J 1/8W	1	
	R706	RK73FB2B181J	CHIP R	180Ω J 1/8W	1	
	R707	RK73GB2A331J	CHIP R	330Ω J 1/10W	1	
	R708	RK73GB2A331J	CHIP R	330Ω J 1/10W	1	
	R709	RK73GB2A223J	CHIP R	22kΩ J 1/10W	1	
	R710	RK73GB2A223J	CHIP R	22kΩ J 1/10W	1	
	R711	RK73FB2B181J	CHIP R	180Ω J 1/8W	1	
	R712	RK73FB2B181J	CHIP R	180Ω J 1/8W	1	
	R713	RK73GB2A331J	CHIP R	330Ω J 1/10W	1	
	R714	RK73GB2A331J	CHIP R	330Ω J 1/10W	1	
	R715	RK73GB2A223J	CHIP R	22kΩ J 1/10W	1	
	R716	RK73GB2A223J	CHIP R	22kΩ J 1/10W	1	
	R717	RK73FB2B181J	CHIP R	180Ω J 1/8W	1	
	R718	RK73FB2B181J	CHIP R	180Ω J 1/8W	1	
	R801	RK73HB1J473J	CHIP R	47kΩ J 1/16W	1	
	R803	RK73HB1J331J	CHIP R	330Ω J 1/16W	1	
	R804	RK73GB2A473J	CHIP R	47kΩ J 1/10W	1	
	R805	RK73GB2A622J	CHIP R	6.2kΩ J 1/10W	1	
	R806	RK73GB2A100J	CHIP R	10Ω J 1/10W	1	
	R807	RK73GB2A102J	CHIP R	1.0kΩ J 1/10W	1	
	R810	RK73GB2A272J	CHIP R	2.7kΩ J 1/10W	1	
	R901	RK73GB2A220J	CHIP R	22Ω J 1/10W	1	
	R903	RK73GB2A223J	CHIP R	22kΩ J 1/10W	1	
	R904	RK73GB2A223J	CHIP R	22kΩ J 1/10W	1	
	R905	RK73GB2A223J	CHIP R	22kΩ J 1/10W	1	
	R906	RK73GB2A223J	CHIP R	22kΩ J 1/10W	1	
	R907	RK73GB2A2R2J	CHIP R	2.2Ω J 1/10W	1	
	R908	RK73GB2A222J	CHIP R	2.2kΩ J 1/10W	1	
	R909	RK73GB2A222J	CHIP R	2.2kΩ J 1/10W	1	
	R915	RK73GB2A000J	CHIP R	0.0Ω J 1/10W	1	
	R917	RK73GB2A223J	CHIP R	22kΩ J 1/10W	1	
	R918	RK73GB2A223J	CHIP R	22kΩ J 1/10W	1	
	R919	RK73GB2A223J	CHIP R	22kΩ J 1/10W	1	
	R920	RK73GB2A223J	CHIP R	22kΩ J 1/10W	1	
	R921	RK73EB2E101J	CHIP R	100Ω J 1/4W	1	K1
	R922	RK73EB2E101J	CHIP R	100Ω J 1/4W	1	K1
	R923	RK73GB2A102J	CHIP R	1.0kΩ J 1/10W	1	K1
	R924	RK73GB2A102J	CHIP R	1.0kΩ J 1/10W	1	K1
	R925	RK73GB2A102J	CHIP R	1.0kΩ J 1/10W	1	K0
	R926	RK73GB2A102J	CHIP R	1.0kΩ J 1/10W	1	K0
	R927	RK73GB2A101J	CHIP R	100Ω J 1/10W	1	K0
	R928	RK73GB2A101J	CHIP R	100Ω J 1/10W	1	K0
	R941	RK73GB2A222J	CHIP R	2.2kΩ J 1/10W	1	K0
	R942	RK73GB2A102J	CHIP R	1.0kΩ J 1/10W	1	K0
	R943	RK73GB2A222J	CHIP R	2.2kΩ J 1/10W	1	K1
	R944	RK73GB2A102J	CHIP R	1.0kΩ J 1/10W	1	K1
	R945	RK73HB1J101J	CHIP R	100Ω J 1/16W	1	
	R946	RK73HB1J471J	CHIP R	470Ω J 1/16W	1	
△	L1	L33-2459-05	CHOKE COIL ASSY		1	
	L51	L33-2462-05	SMALL FIXED INDUCTOR	22uH	1	
	L52	L92-0639-05	CHIP FERRITE	1608 220AT100MHz	1	
	L53	L92-0639-05	CHIP FERRITE	1608 220AT100MHz	1	
	L60	L33-2462-05	SMALL FIXED INDUCTOR	22uH	1	
	L61	L92-0639-05	CHIP FERRITE	1608 220AT100MHz	1	
	L62	L92-0639-05	CHIP FERRITE	1608 220AT100MHz	1	
	L302	NQR0682-001X	CHOKE COIL		1	
	L401	L40-4791-58	SMALL FIXED INDUCTOR		1	
	L405	L92-0648-05	CHIP FERRITE	50Ω	1	
	L500	L92-0609-05	CHIP FERRITE		1	
	L501	L41-1585-60	SMALL FIXED INDUCTOR		1	
	L502	L41-3385-60	SMALL FIXED INDUCTOR		1	
	L511	L92-0331-05	CHIP FERRITE		1	
	L513	L92-0331-05	CHIP FERRITE		1	
	L521	L41-1005-33	SMALL FIXED INDUCTOR	10uF	1	
	L522	L40-4781-86	SMALL FIXED INDUCTOR	0.47uH	1	
	L523	L40-2281-86	SMALL FIXED INDUCTOR	0.22uH	1	
	L524	L40-1891-86	SMALL FIXED INDUCTOR	1.8uH	1	
	L530	L41-4705-33	SMALL FIXED INDUCTOR		1	

MODEL	MARK	MODEL	MARK
KDC-BT752HD	K0	KDC-X796	K1

Safe	Symbol No.	Parts No.	Parts Name	Description	QTY	Local
	L531	L92-0331-05	CHIP FERRITE		1	
	L550	L41-1095-33	SMALL FIXED INDUCTOR	1uF	1	
	L551	L92-0331-05	CHIP FERRITE		1	
	L553	L92-0331-05	CHIP FERRITE		1	
	L554	L92-0331-05	CHIP FERRITE		1	
	L556	L92-0331-05	CHIP FERRITE		1	
	L560	L92-0331-05	CHIP FERRITE		1	
	L561	L92-0331-05	CHIP FERRITE		1	
	A590	-	HD PROCESSOR UNIT		1	
	A901	W02-5523-15	ELECTRIC CIRCUIT MODULE		1	
	CN301	E41-1828-05	FLAT CABLE CONNECTOR	1MM 30P SIDE	1	
	CN901	E41-3325-05	PIN ASSY	24R-JMCS-G-B-TF(NSA)	1	
	CP301	RK74HB1J101J	CHIP-COM	100Ω J 1/16W	1	
△	F1	F53-0406-05	FUSE(UL,CSA)	2.5A/125V	1	
△	J1	E58-0991-05	RECTANGULAR RECEPTACLE		1	
	J301	E58-1144-05	RECTANGULAR RECEPTACLE		1	
	J701	E63-0972-05	PIN JACK	3-PRE	1	
	J921	E11-0625-05	PHONE JACK		1	K1
	S301	S70-0959-05	TACT SWITCH		1	
	TH801	PRF18BE471QS2	POSITIVE RESISTOR	PB-FREE	1	
	W500	E30-6601-05	CORD WITH PLUG		1	
	W501	R92-2053-05	CHIP R	0Ω J 1/8W	1	
	X201	L77-3846-05	CRYSTAL RESONATOR	12MHZ	1	
	X202	L77-2921-15	CRYSTAL RESONATOR	32.768KHz	1	
	X501	NAX1117-001X	CRYSTAL		1	
HD PROCESSOR UNIT (A590 IN X34-UNIT) <A590>						
△	IC101	STA680Q	MOS-IC		1	
△	IC151	GEU03533-01A	SV-ROM IC		1	
△	IC191	M12L1281687TG2	SV-DRAM IC		1	
	C101	CK73GB1C105K	CHIP C	1.0uF K	1	
	C102	CK73GB1H471K	CHIP C	470pF K	1	
	C103	CK73GB1C104K	CHIP C	0.10uF K	1	
	C104	CK73GB1C104K	CHIP C	0.10uF K	1	
	C105	CK73GB1C104K	CHIP C	0.10uF K	1	
	C106	CK73GB1C104K	CHIP C	0.10uF K	1	
	C107	CK73GB1C104K	CHIP C	0.10uF K	1	
	C108	CK73GB1C104K	CHIP C	0.10uF K	1	
	C109	CK73GB1C104K	CHIP C	0.10uF K	1	
	C110	CK73GB1C104K	CHIP C	0.10uF K	1	
	C111	CK73GB1C104K	CHIP C	0.10uF K	1	
	C112	CK73GB1C104K	CHIP C	0.10uF K	1	
	C113	CK73GB1C104K	CHIP C	0.10uF K	1	
	C114	CK73GB1C104K	CHIP C	0.10uF K	1	
	C115	CK73GB1C104K	CHIP C	0.10uF K	1	
	C116	CK73GB1C104K	CHIP C	0.10uF K	1	
	C117	CK73FB0J106K	CHIP C	10uF K	1	
	C118	CK73FB0J106K	CHIP C	10uF K	1	
	C119	CK73GB1C104K	CHIP C	0.10uF K	1	
	C120	CK73GB1C104K	CHIP C	0.10uF K	1	
	C121	CK73GB1C104K	CHIP C	0.10uF K	1	
	C122	CK73GB1C104K	CHIP C	0.10uF K	1	
	C124	CK73GB1C104K	CHIP C	0.10uF K	1	
	C125	CK73GB1C104K	CHIP C	0.10uF K	1	
	C126	CK73GB1C104K	CHIP C	0.10uF K	1	
	C127	CK73GB1C104K	CHIP C	0.10uF K	1	
	C128	CK73GB1C104K	CHIP C	0.10uF K	1	
	C129	CK73GB1C104K	CHIP C	0.10uF K	1	
	C130	CK73GB1C104K	CHIP C	0.10uF K	1	
	C131	CK73GB1C104K	CHIP C	0.10uF K	1	
	C132	CK73GB1C104K	CHIP C	0.10uF K	1	
	C133	CK73GB1C104K	CHIP C	0.10uF K	1	
	C134	CK73GB1C104K	CHIP C	0.10uF K	1	
	C135	CK73GB1C104K	CHIP C	0.10uF K	1	
	C136	CC73GCH1H030C	CHIP C	3.0pF C	1	
	C137	CC73GCH1H040C	CHIP C	4.0pF C	1	
	C138	CK73FB0J106K	CHIP C	10uF K	1	
	C144	CC73GCH1H680J	CHIP C	68pF J	1	
	C145	CC73GCH1H680J	CHIP C	68pF J	1	
	C146	CC73GCH1H680J	CHIP C	68pF J	1	
	C147	CK73GB1C104K	CHIP C	0.10uF K	1	
	C150	CK73GB1C104K	CHIP C	0.10uF K	1	
	C151	CK73GB1C104K	CHIP C	0.10uF K	1	
	C152	CK73GB1C104K	CHIP C	0.10uF K	1	
	C153	CK73GB1C104K	CHIP C	0.10uF K	1	
	C154	CK73GB1C104K	CHIP C	0.10uF K	1	
	C155	CK73GB1C104K	CHIP C	0.10uF K	1	
	C156	CK73GB1C104K	CHIP C	0.10uF K	1	
	R104	RK73GB2A470J	CHIP R	47Ω J 1/10W	1	
	R105	RK73GB2A470J	CHIP R	47Ω J 1/10W	1	
	R106	RK73GB2A471J	CHIP R	470Ω J 1/10W	1	
	R108	RK73GB2A470J	CHIP R	47Ω J 1/10W	1	
	R109	RK73GB2A470J	CHIP R	47Ω J 1/10W	1	
	R110	RK73GB2A473J	CHIP R	47kΩ J 1/10W	1	
	R111	RK73GB2A103J	CHIP R	10kΩ J 1/10W	1	
	R112	RK73GB2A103J	CHIP R	10Ω J 1/10W	1	
	R113	RK73GB2A750J	CHIP R	75Ω J 1/10W	1	
	R114	RK73GB2A102J	CHIP R	1.0kΩ J 1/10W	1	

MODEL	MARK	MODEL	MARK
KDC-BT752HD	K0	KDC-X796	K1

Safe	Symbol No.	Parts No.	Parts Name	Description	QTY	Local
	R115	RK73GB2A270J	CHIP R	27Ω J 1/10W	1	
	R116	RK73GB2A470J	CHIP R	47Ω J 1/10W	1	
	R117	RK73GB2A103J	CHIP R	10kΩ J 1/10W	1	
	R118	RK73GB2A103J	CHIP R	10kΩ J 1/10W	1	
	R122	RK73GB2A000J	CHIP R	0.0Ω J 1/10W	1	
	RA101	RK74HB1J470J	CHIP-COM	47Ω J 1/16W	1	
	RA102	RK74HB1J470J	CHIP-COM	47Ω J 1/16W	1	
	RA103	RK74HB1J470J	CHIP-COM	47Ω J 1/16W	1	
	RA104	RK74HB1J470J	CHIP-COM	47Ω J 1/16W	1	
	RA105	RK74HB1J470J	CHIP-COM	47Ω J 1/16W	1	
	RA106	RK74HB1J470J	CHIP-COM	47Ω J 1/16W	1	
	RA107	RK74HB1J470J	CHIP-COM	47Ω J 1/16W	1	
	RA108	RK74HB1J470J	CHIP-COM	47Ω J 1/16W	1	
	RA109	RK74HB1J470J	CHIP-COM	47Ω J 1/16W	1	
	RA111	RK74HB1J470J	CHIP-COM	47Ω J 1/16W	1	
	RA112	RK74HB1J470J	CHIP-COM	47Ω J 1/16W	1	
	RA113	RK74HB1J470J	CHIP-COM	47Ω J 1/16W	1	
	L101	L40-1891-86	SMALL FIXED INDUCTOR		1	
	L102	L40-1891-86	SMALL FIXED INDUCTOR		1	
	CN101	E41-3220-08	FLAT CABLE CONNECTOR		1	
	CN102	E41-3221-08	PIN ASSY		1	
	X101	NAX1116-001X	CRYSTAL		1	
	SWITCH UNIT (X16-7240-1x) <X16>					
	IC2	KSM-2003TN5B	IR SENSOR		1	
	IC90	PCA9633DP1-X	INTEGRATED CIRCUIT(MOS-IC)		1	
	Q30	LTA014EUBFS8	TRANSISTOR		1	
	Q31	LTA014EUBFS8	TRANSISTOR		1	
	Q32	LTA014EUBFS8	TRANSISTOR		1	
	Q62	LTC023JUBFS8	TRANSISTOR		1	
	Q63	LTC023JUBFS8	TRANSISTOR		1	
	Q64	LTC023JUBFS8	TRANSISTOR		1	
	Q65	LTC023JUBFS8	TRANSISTOR		1	
	Q66	LTC023JUBFS8	TRANSISTOR		1	
	Q67	LTC023JUBFS8	TRANSISTOR		1	
	D6	RKZ4.7KG(B2)	Z DIODE		1	
	D61	LRTBR98G-X	LED		1	
	D62	LRTBR98G-X	LED		1	
	D63	LRTBR98G-X	LED		1	
	D64	LRTBR98G-X	LED		1	
	D65	LRTBR98G-X	LED		1	
	D66	LRTBR98G-X	LED		1	
	D68	B30-1566-05	LED	1608 RED	1	
	D69	B30-1788-05	LED	1608 WHITE	5	
	D70	B30-1788-05	LED	1608 WHITE	5	
	D71	B30-1788-05	LED	1608 WHITE	5	
	D72	B30-1788-05	LED	1608 WHITE	5	
	D73	B30-1788-05	LED	1608 WHITE	5	
	D74	B30-1779-05	LED	1608_SR	1	
	D79	MC2850-T111	DIODE		1	
	D81	HZM6.8ZMWA-E	Z DIODE		1	
	D82	MC2850-T111	DIODE		1	
	C1	CK73EB1C106K	CHIP C	10uF 16V K	1	
	C4	CK73GB1C104K	CHIP C	0.10uF 16V K	1	
	C20	CK73HB0J105K	CHIP C	1.0uF 6.3V K	1	
	C30	CK73GB1C104K	CHIP C	0.10uF 16V K	1	
	C31	CK73HB1A104K	CHIP C	0.10uF 10V K	1	
	C32	CK73HB0J224K	CHIP C	0.22uF 6.3V K	1	
	C33	CK73GB1H102K	CHIP C	1000pF 50V K	1	
	C81	CC73GCH1H101J	CHIP C	100pF 50V J	1	
	C82	CC73GCH1H101J	CHIP C	100pF 50V J	1	
	C83	CK73GB1H472K	CHIP C	4700pF 50V K	1	
	C84	CK73GB1H472K	CHIP C	4700pF 50V K	1	
	C85	CK73GB1H103K	CHIP C	0.010uF 50V K	1	
	C88	CK73GB1H102K	CHIP C	1000pF 50V K	1	
	C89	CK73GB1H102K	CHIP C	1000pF 50V K	1	
	C90	CK73HB0J105K	CHIP C	1.0uF 6.3V K	1	
	R1	RK73GB2A101J	CHIP R	100Ω J 1/10W	1	
	R2	RK73GB2A101J	CHIP R	100Ω J 1/10W	1	
	R3	RK73GB2A101J	CHIP R	100Ω J 1/10W	1	
	R4	RK73GB2A101J	CHIP R	100Ω J 1/10W	1	
	R5	RK73GB2A101J	CHIP R	100Ω J 1/10W	1	
	R9	RK73GB2A101J	CHIP R	100Ω J 1/10W	1	
	R21	RK73HB1J101J	CHIP R	100Ω J 1/16W	1	
	R30	RK73PB2H4R3J	CHIP R	4.3Ω J 1/2W	1	
	R31	RK73HB1J104J	CHIP R	100kΩ J 1/16W	1	
	R32	RK73HB1J182J	CHIP R	1.8kΩ J 1/16W	1	
	R33	RK73HB1J683J	CHIP R	68kΩ J 1/16W	1	
	R34	RK73HB1J101J	CHIP R	100Ω J 1/16W	1	
	R38	RK73HB1J101J	CHIP R	100Ω J 1/16W	1	
	R60	RK73EB2E821J	CHIP R	820Ω J 1/4W	1	
	R61	RK73EB2E132J	CHIP R	1.3kΩ J 1/4W	1	
	R62	RK73EB2E132J	CHIP R	1.3kΩ J 1/4W	1	
	R63	RK73EB2E561J	CHIP R	560Ω J 1/4W	1	
	R64	RK73EB2E561J	CHIP R	560Ω J 1/4W	1	
	R65	RK73EB2E561J	CHIP R	560Ω J 1/4W	1	
	R66	RK73EB2E751J	CHIP R	750Ω J 1/4W	1	
	R67	RK73EB2E102J	CHIP R	1.0kΩ J 1/4W	1	
	R68	RK73EB2E621J	CHIP R	620Ω J 1/4W	1	

MODEL	MARK	MODEL	MARK
KDC-BT752HD	K0	KDC-X796	K1

Safe	Symbol No.	Parts No.	Parts Name	Description	QTY	Local
R69		RK73EB2E621J	CHIP R	620Ω J 1/4W	1	
R70		RK73EB2E561J	CHIP R	560Ω J 1/4W	1	
R71		RK73EB2E331J	CHIP R	330Ω J 1/4W	1	
R72		RK73EB2E162J	CHIP R	1.6kΩ J 1/4W	1	
R73		RK73FB2B821J	CHIP R	820Ω J 1/8W	1	
R74		RK73FB2B751J	CHIP R	750Ω J 1/8W	1	
R75		RK73FB2B621J	CHIP R	620Ω J 1/8W	1	
R81		RK73GB2A220J	CHIP R	22Ω J 1/10W	1	
R82		RK73GB2A220J	CHIP R	22Ω J 1/10W	1	
L4		L92-0663-05	CHIP FERRITE	1005 120Ω	1	
CN1		E41-1486-05	PIN ASSY	2P 1MM SIDE	1	K0
CP30		RK74HB1J101J	CHIP-COM	100Ω J 1/16W	1	
CP31		RK74HB1J101J	CHIP-COM	100Ω J 1/16W	1	
CP32		RK74HB1J473J	CHIP-COM	47kΩ J 1/16W	1	
CP41		RK74GA1J101J	CHIP-COM	100Ω J 1/16W	1	
ED1		QLF0202-001	FL TUBE		1	
J1		E59-0864-05	RECTANGULAR PLUG	24PIN	1	
J2		QNS0308-001	3.5 JACK		1	
J3		QNZ1057-001	USB CONNECTOR		1	
S1		T99-0484-05	ROTARY ENCODER		1	
S2		NSW0246-001X	TACT SWITCH		1	
S3		NSW0246-001X	TACT SWITCH		1	
S11		NSW0246-001X	TACT SWITCH		1	
S15		NSW0246-001X	TACT SWITCH		1	
S16		NSW0246-001X	TACT SWITCH		1	
CD PLAYER UNIT (X32-6250-02) <X32>						
IC3		BD8222EFV	ANALOGUE IC		1	
IC4		JCV8023	IC		1	
IC5		XC6415S001P1	MOS-IC		1	
Q1		2SA2188-T1(E)	TRANSISTOR		1	
Q14		RUE003N02	FET		1	
D2		DAP202U	DIODE		1	
D3		DA204U	DIODE		1	
D4		DA204U	DIODE		1	
C1		CK73FB0J106K	CHIP C	10uF 6.3V K	1	
C3		CC73GCH1H680J	CHIP C	68pF 50V J	1	
C4		CK73GB1A105K	CHIP C	1.0uF 10V K	1	
C6		CK73FB1C105K	CHIP C	1.0uF 16V K	1	
C8		CK73GB1H222K	CHIP C	2200pF 50V K	1	
C9		CK73GB1C104K	CHIP C	0.10uF 16V K	1	
C10		CK73GB1C104K	CHIP C	0.10uF 16V K	1	
C11		CK73GB1H153K	CHIP C	0.015uF 50V K	1	
C12		CK73GB1C104K	CHIP C	0.10uF 16V K	1	
C13		CK73GB1H332K	CHIP C	3300pF 50V K	1	
C14		CK73GB1H103K	CHIP C	0.010uF 50V K	1	
C15		CK73GB1C333K	CHIP C	0.033uF 16V K	1	
C16		CK73GB1C104K	CHIP C	0.10uF 16V K	1	
C18		CK73GB1H153K	CHIP C	0.015uF 50V K	1	
C19		CK73GB1H103K	CHIP C	0.010uF 50V K	1	
C20		CK73GB1C104K	CHIP C	0.10uF 16V K	1	
C22		CK73GB1H103K	CHIP C	0.010uF 50V K	1	
C23		CK73GB1H153K	CHIP C	0.015uF 50V K	1	
C24		CC73GCH1H470J	CHIP C	47pF 50V J	1	
C25		CK73GB1C104K	CHIP C	0.10uF 16V K	1	
C26		CK73GB1A105K	CHIP C	1.0uF 10V K	1	
C27		CK73GB1C104K	CHIP C	0.10uF 16V K	1	
C29		CK73GB1C104K	CHIP C	0.10uF 16V K	1	
C30		CK73GB1C104K	CHIP C	0.10uF 16V K	1	
C31		CK73GB1A105K	CHIP C	1.0uF 10V K	1	
C36		CK73GB1A105K	CHIP C	1.0uF 10V K	1	
C41		CK73GB1C104K	CHIP C	0.10uF 16V K	1	
C42		CK73GB1C104K	CHIP C	0.10uF 16V K	1	
C43		CK73GB1H102K	CHIP C	1000pF 50V K	1	
C44		CK73GB1H102K	CHIP C	1000pF 50V K	1	
C45		CK73GB1H103K	CHIP C	0.010uF 50V K	1	
C46		CK73GB1A105K	CHIP C	1.0uF 10V K	1	
C47		CC73GCH1H560J	CHIP C	56pF 50V J	1	
C48		CC73GCH1H101J	CHIP C	100pF 50V J	1	
C49		CK73GB1A105K	CHIP C	1.0uF 10V K	1	
C50		CK73FB1A225K	CHIP C	2.2uF 10V K	1	
C51		CK73FB0J106K	CHIP C	10uF 6.3V K	1	
C54		CK73FB0J106K	CHIP C	10uF 6.3V K	1	
C57		CK73GB1C104K	CHIP C	0.10uF 16V K	1	
C59		CK73GB1H472K	CHIP C	4700pF 50V K	1	
C61		CK73GB1C104K	CHIP C	0.10uF 16V K	1	
C101		CK73GB1A105K	CHIP C	1.0uF 10V K	1	
C103		CK73GB1C104K	CHIP C	0.10uF 16V K	1	
R1		RK73GB2A560J	CHIP R	56Ω J 1/10W	1	
R2		RK73GB2A472J	CHIP R	4.7kΩ J 1/10W	1	
R3		RK73GB2A4R7J	CHIP R	4.7Ω J 1/10W	1	
R4		RK73GB2A104J	CHIP R	100kΩ J 1/10W	1	
R5		RK73GB2A225J	CHIP R	2.2MΩ J 1/10W	1	
R6		RK73GB2A102J	CHIP R	1.0kΩ J 1/10W	1	
R7		RK73GB2A221J	CHIP R	220Ω J 1/10W	1	
R8		RK73GB2A622J	CHIP R	6.2kΩ J 1/10W	1	
R9		RK73GB2A913J	CHIP R	91kΩ J 1/10W	1	
R10		RK73GB2A334J	CHIP R	330kΩ J 1/10W	1	
R11		RK73GB2A153J	CHIP R	15kΩ J 1/10W	1	
R13		RK73GB2A104J	CHIP R	100kΩ J 1/10W	1	
R14		RK73GB2A103J	CHIP R	10kΩ J 1/10W	1	
R15		RK73GB2A101J	CHIP R	100Ω J 1/10W	1	
R17		RK73GB2A103J	CHIP R	10kΩ J 1/10W	1	

MODEL	MARK	MODEL	MARK
KDC-BT752HD	K0	KDC-X796	K1

Safe	Symbol No.	Parts No.	Parts Name	Description	QTY	Local
R18		RK73GB2A103J	CHIP R	10kΩ J 1/10W	1	
R25		RK73GB2A103J	CHIP R	10kΩ J 1/10W	1	
R27		RK73EB2E4R7J	CHIP R	4.7Ω J 1/4W	1	
R39		RK73GB2A105J	CHIP R	1.0MΩ J 1/10W	1	
R40		RK73GB2A681J	CHIP R	680Ω J 1/10W	1	
R43		RK73GB2A4R7J	CHIP R	4.7Ω J 1/10W	1	
R44		RK73GB2A4R7J	CHIP R	4.7Ω J 1/10W	1	
R49		RK73GB2A393J	CHIP R	39kΩ J 1/10W	1	
R50		RK73GB2A363J	CHIP R	36kΩ J 1/10W	1	
R51		RK73GB2A102J	CHIP R	1.0kΩ J 1/10W	1	
R52		RK73GB2A101J	CHIP R	100Ω J 1/10W	1	
R53		RK73GB2A101J	CHIP R	100Ω J 1/10W	1	
R54		RK73GB2A101J	CHIP R	100Ω J 1/10W	1	
R55		RK73GB2A101J	CHIP R	100Ω J 1/10W	1	
R56		RK73GB2A101J	CHIP R	100Ω J 1/10W	1	
R57		RK73GB2A101J	CHIP R	100Ω J 1/10W	1	
R58		RK73GB2A101J	CHIP R	100Ω J 1/10W	1	
R59		RK73GB2A204J	CHIP R	200kΩ J 1/10W	1	
R64		RK73GB2A223J	CHIP R	22kΩ J 1/10W	1	
R65		RK73GB2A333J	CHIP R	33kΩ J 1/10W	1	
R69		RK73GB2A101J	CHIP R	100Ω J 1/10W	1	
R70		RK73GB2A101J	CHIP R	100Ω J 1/10W	1	
R71		RK73GB2A101J	CHIP R	100Ω J 1/10W	1	
R72		RK73GB2A101J	CHIP R	100Ω J 1/10W	1	
R73		RK73GB2A101J	CHIP R	100Ω J 1/10W	1	
R74		RK73GB2A103J	CHIP R	10kΩ J 1/10W	1	
R75		RK73GB2A103J	CHIP R	10kΩ J 1/10W	1	
R76		RK73GB2A202J	CHIP R	2.0kΩ J 1/10W	1	
R102		RK73GB2A102J	CHIP R	1.0kΩ J 1/10W	1	
CN1		E41-2954-05	FLAT CABLE CONNECTOR	15P/0.5MM/UP/LF/AU	1	
CN2		E41-2630-05	FLAT CABLE CONNECTOR	30P/1.00MM/UP/LF	1	
CP7		RK74GB1J103J	CHIP-COM	10kΩ J 1/16W	1	
S1		S68-0863-05	PUSH SWITCH		1	
S2		S68-0863-05	PUSH SWITCH		1	
X1		L78-1221-05	RESONATOR	16.93MHz	1	