

9. EXPLODED VIEWS AND PARTS LIST

NOTES : • Parts marked by "*" are generally unavailable because they are not in our Master Spare Parts List.

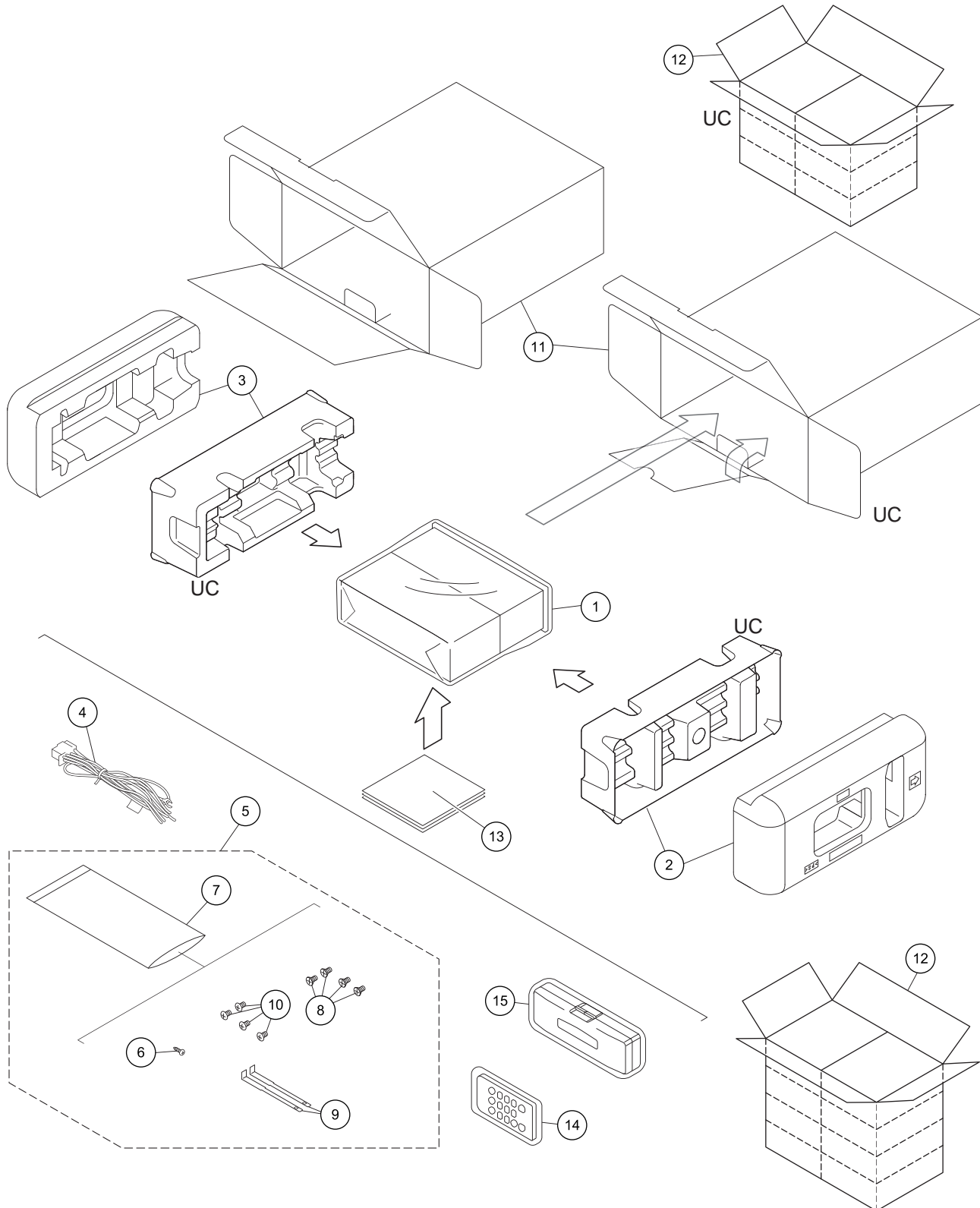
• The ⚠ mark found on some component parts indicates the importance of the safety factor of the part. Therefore, when replacing, be sure to use parts of identical designation.

• Screw adjacent to ∇ mark on the product are used for disassembly.

• For the applying amount of lubricants or glue, follow the instructions in this manual.

(In the case of no amount instructions, apply as you think it appropriate.)

9.1 PACKING



PACKING SECTION PARTS LIST

Mark	No.	Description	DEH-14UB/ XNUC	DEH-1450UB/ XNES	DEH-1450UB/ XNES1	DEH-1450UBG/ XNES	DEH-1490UB/ XNID
	1	Polyethylene Bag	CEG1173	QEG3001	QEG3001	QEG3001	QEG3001
	2	Protector	CHP4103	QHP3016	QHP3016	QHP3016	QHP3016
	3	Protector	CHP4104	QHP3016	QHP3016	QHP3016	QHP3016
	4	Cord Assy	QDP3013	QDP3013	QDP3013	QDP3013	QDP3013
*	5	Accessory Assy	QEA3008	QEA3009	QEA3009	QEA3009	QEA3009
	6	Screw	BPZ20P060FTC	Not used	Not used	Not used	Not used
	7	Polyethylene Bag	CEG1160	CEG1160	CEG1160	CEG1160	CEG1160
	8	Screw	CRZ50P090FTC	Not used	Not used	Not used	Not used
	9	Handle	QNC3021	QNC3021	QNC3021	QNC3021	QNC3021
	10	Screw	TRZ50P080FTC	TRZ50P080FTC	TRZ50P080FTC	TRZ50P080FTC	TRZ50P080FTC
	11	Unit Box	QHG3165	QHG3160	QHG3164	QHG3162	QHG3166
	12	Contain Box	QHL3165	QHL3160	QHL3164	QHL3162	QHL3166
	13-1	Owner's Manual	QRD3102	QRD3103	QRD3103	QRD3103	QRB3198
*	13-2	Warranty Card	QRY3001	Not used	CRY1250	Not used	CRY1304
*	13-3	Service Network	Not used	Not used	CRY1251	Not used	CRY1305
	14	Card Type RC Unit	QXE1047	QXE1047	QXE1047	QXE1047	QXE1047
	15	Case Assy	Not used	QXA3129	QXA3129	QXA3129	QXA3129

Owner's Manual,Installation Manual

Part No.	Language
QRD3102	English, French, Spanish(Espanol)
QRD3103	English, Spanish(Espanol), Portuguese(B), Traditional Chinese, Arabic, Persian
QRB3198	English

9.2 EXTERIOR

1

2

3

4

A

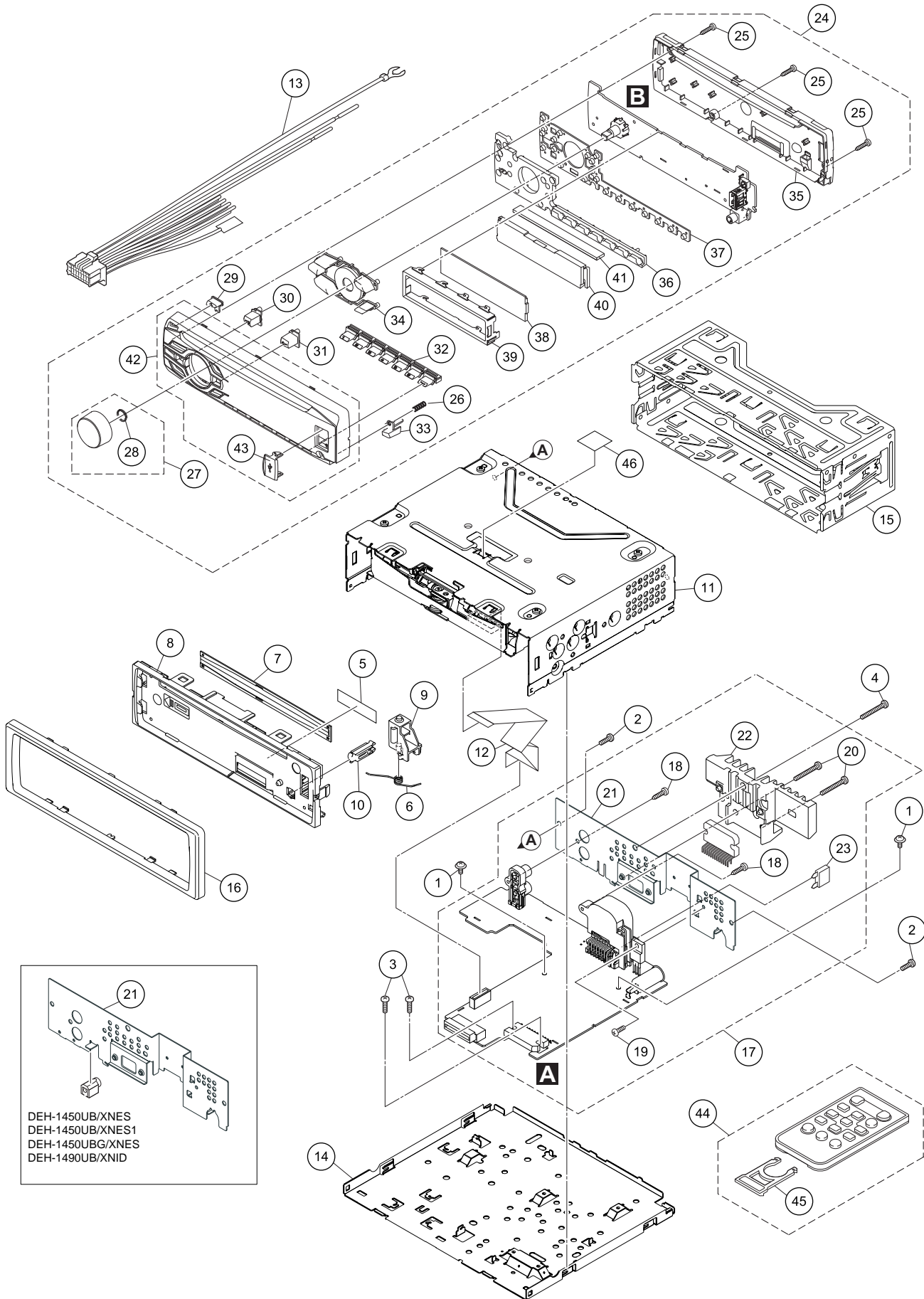
B

C

D

E

F



DEH-14UB/XNUC

1

2

3

4

(1) EXTERIOR SECTION PARTS LIST

<u>Mark No.</u>	<u>Description</u>	<u>Part No.</u>	<u>Mark No.</u>	<u>Description</u>	<u>Part No.</u>
1	Screw	ASZ26P050FTC	25	Screw	BPZ20P100FTC
2	Screw	BSZ26P060FTC			
3	Screw	BSZ26P080FTC	26	Spring	CBH2210
4	Screw	BSZ26P120FTC	27	Knob Unit	CXE3692
*	5	Seal	28	Spring	YBL5010
		See Contrast table (2)	29	Button(EJECT)	QAC3066
6	Spring	QBH3001	30	Button(LEFT)	QAC3068
7	Cover	QNM3029			
8	Panel	QNS3126	31	Button(RIGHT)	QAC3069
9	Arm	QNV3025	32	Button(1-6, -)	QAC3070
10	Button	QNV3026	33	Button(DETACH)	QAC3071
			34	Button(LIST, SRC, EQ, RETURN, BAND)	QAC3072
11	CD Mechanism Module(S11.6)	CXK5804	35	Cover	QNS3226
12	Cable	QDE3021			
13	Cord Assy	QDP3013	36	Lighting Conductor	QNV3038
14	Case	QNB3002	37	Contact Rubber	QNV3041
15	Holder	QNC3020	38	Segment LCD(V1801)	CAW2018
			39	Holder	QNC3031
16	Panel	QNS3127	40	Lighting Conductor	QNV3040
17	Tuner Amp Unit	See Contrast table (2)			
18	Screw	BPZ26P080FTC	41	Rubber Connector	QNV3045
19	Screw	BSZ26P060FTC	42	Grille Unit	See Contrast table (2)
20	Screw	BSZ26P120FTC	43	Door	QAT3004
			44	Card type RC Unit	QXE1047
21	Holder	See Contrast table (2)	45	Cover	CNS7068
22	Heat Sink	QNR3002			
⚠	23	Fuse(10 A)	46	Label	See Contrast table (2)
	24	Detach Grille Assy			
		See Contrast table (2)			

(2) CONTRAST TABLE

DEH-14UB/XNUC, DEH-1450UB/XNES, DEH-1450UB/XNES1, DEH-1450UBG/XNES and DEH-1490UB/XNID are constructed the same except for the following:

Mark	No.	Description	DEH-14UB/ XNUC	DEH-1450UB/ XNES	DEH-1450UB/ XNES1	DEH-1450UBG/ XNES	DEH-1490UB/ XNID
*	5	Seal	CAN3984	Not used	Not used	Not used	Not used
	17	Tuner Amp Unit	QWM3319	QWM3320	QWM3320	QWM3320	QWM3320
	21	Holder	QNC3034	QNC3032	QNC3032	QNC3032	QNC3032
	24	Detach Grille Assy	QXA3489	QXA3490	QXA3490	QXA3492	QXA3493
	42	Grille Unit	QXA3439	QXA3440	QXA3440	QXA3442	QXA3443
	46	Label	Not used	Not used	Not used	Not used	CNN3533

9.3 CD MECHANISM MODULE

A

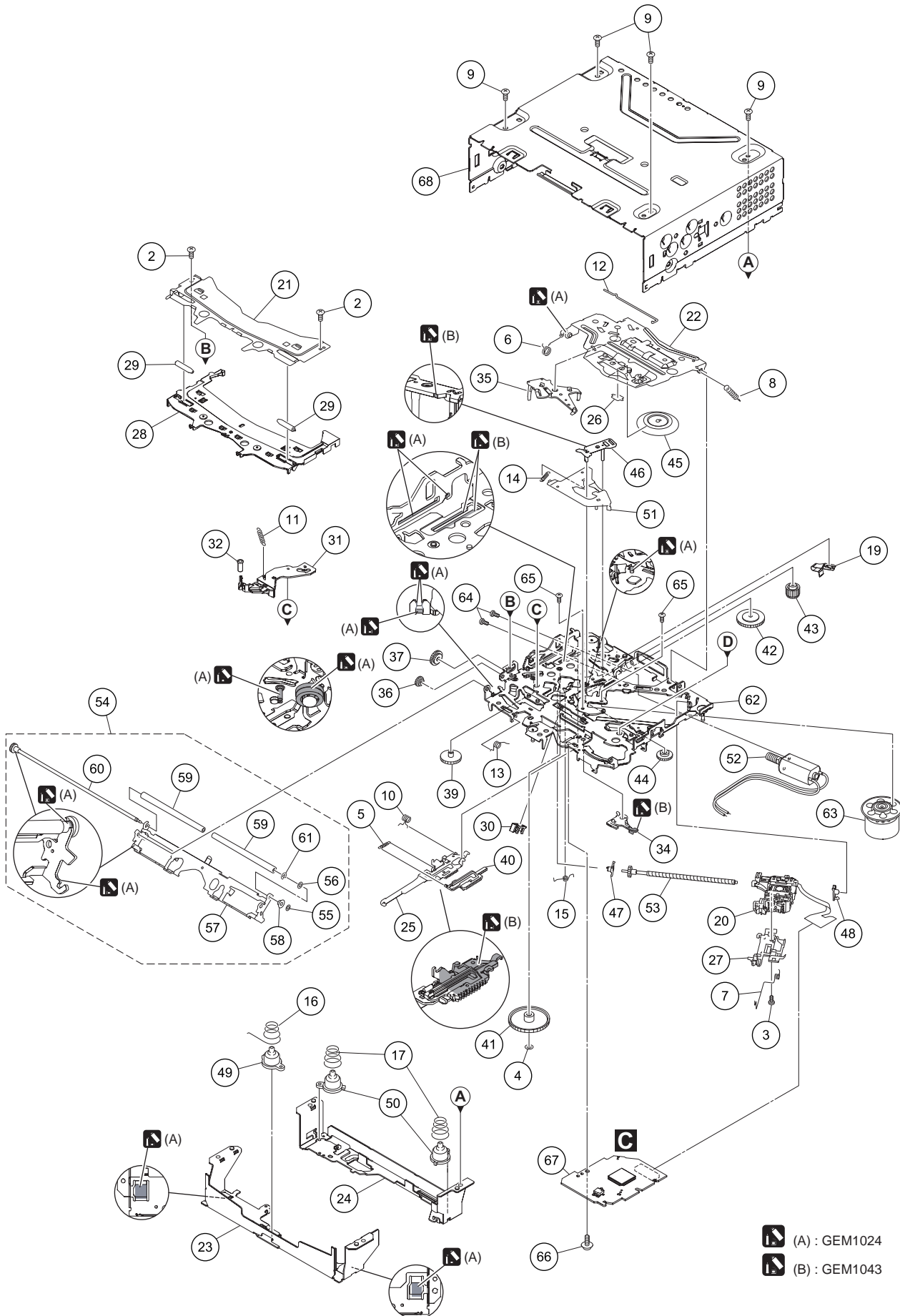
B

C

D

E

F



(A) : GEM1024
 (B) : GEM1043

5 6 7 8
CD MECHANISM MODULE SECTION PARTS LIST

<u>Mark No.</u>	<u>Description</u>	<u>Part No.</u>	<u>Mark No.</u>	<u>Description</u>	<u>Part No.</u>
1		50	Damper	CNW1198
2	Screw	BSZ20P040FTC	51	Arm	CNW1726
3	Screw(M2 x 4)	CBA1835	52	Motor Unit(M2)(LOAD/CRG)	CXC4026
4	Washer	CBF1038	53	Screw Unit	CXC8894
5	Spring	CBH3010	54	Arm Assy	CXE5027
6	Spring	CBH2855	55	Washer	CBF1037
7	Spring	CBH2856	56	Washer	CBF1038
8	Spring	CBH2860	57	Arm	CND6242
9	Screw	BSZ26P060FTC	58	Collar	CNW2444
10	Spring	CBH3011	59	Roller	CNW1196
11	Coil Spring	CBH3095	60	Gear Unit	CXC8893
12	Spring	CBH3014	61	Washer	YE15FTC
13	Spring	CBH3015	62	Chassis Unit	CXE4528
14	Spring	CBH3016	63	Motor Unit(M1)(SPDL)	CXE2273
15	Spring	CBH3017	64	Screw	JFZ20P025FTC
16	Spring	CBH3086	65	Screw	JGZ17P022FTC
17	Spring	CBH3019	66	Screw	EBA1028
18		67	CD Core Unit (S11.6STD)	CWX4023
19	Leaf Spring	CBL1824	68	Chassis	CNA3181
20	Pickup Unit(P10.6)(Service)	CXX3556			
21	Bracket	CND4553			
22	Arm	CND4555			
23	Bracket	CND6127			
24	Bracket	CND5710			
25	Lever	CND5398			
26	Sheet	CNN3678			
27	Rack	CNV8342			
28	Guide	CNW2240			
29	Roller	CNW1172			
30	Holder	CNW1195			
31	Arm	CNW2241			
32	Roller	CNW1175			
33				
34	Arm	CNW1177			
35	Arm	CNW1178			
36	Gear	CNW1180			
37	Gear	CNW1181			
38				
39	Gear	CNW1183			
40	Rack	CNW1184			
41	Gear	CNW1185			
42	Gear	CNW1186			
43	Gear	CNW1187			
44	Gear	CNW2287			
45	Clamper	CNW1190			
46	Arm	CNW1192			
47	Holder	CNW1193			
48	Holder	CNW1194			
49	Damper	CNW1197			

12. ELECTRICAL PARTS LIST

NOTE:

- Parts whose parts numbers are omitted are subject to being not supplied.
- The part numbers shown below indicate chip components.

Chip Resistor

RS1/○S○○○○J,RS1/○○S○○○○J

Chip Capacitor (except for CQS.....)

CKS....., CCS....., CSZS.....

- The \triangle mark found on some component parts indicates the importance of the safety factor of the part. Therefore, when replacing, be sure to use parts of identical designation.
- Meaning of the figures and others in the parentheses in the parts list.

Example) IC 301 is on the point (face A, 91 of x-axis, and 111 of y-axis) of the corresponding PC board.

IC 301 (A, 91, 111) IC NJM2068V

Circuit Symbol and No.

Part No.

Circuit Symbol and No.

Part No.

A:DEH-14UB/XNUC

B:DEH-1450UB/XNES

C:DEH-1450UB/XNES1

D:DEH-1450UBG/XNES

E:DEH-1490UB/XNID

Unit Number: QWM3319(A)

: QWM3320(B,C,D,E)

Unit Name : Tuner Amp Unit

Unit Number: (A,B,C,E)

: (D)

Unit Name : Keyboard Unit

Unit Number: CWX4023

Unit Name : CD Core Unit (S11.6STD)

Q 251	(A,23,130) Chip Transistor	RN1910
Q 351	(A,88,127) Chip Transistor	RN4983
Q 751	(A,142,138) Transistor	2SD2396
Q 752	(A,140,133) Chip Transistor	RN4983
Q 871	(A,146,69) Transistor	2SD1767
Q 872	(A,161,76) Chip Transistor	RN4983
Q 873	(A,159,73) Transistor	LTC143EUB
Q 931	(A,118,104) Transistor	LSC4081UB
D 301	(A,100,126) Diode	CRG03
D 302	(A,96,126) Diode	CRG03
D 401	(A,158,106) Diode	KP2311E
D 402	(A,158,99) Diode	KP2311E
D 501	(A,29,109) Diode	RB160L-40
D 502	(A,20,124) Diode	CRG03
D 503	(A,20,122) Diode	CRG03
D 601	(A,117,81) Diode(B,C,D,E)	RB551V-30
D 602	(A,127,50) Diode(B,C,D,E)	RB751S-40
D 751	(A,138,134) Diode	RKZ8.2KG(B2)
D 801	(A,114,13) Diode	DZ2S068C
D 802	(A,117,12) Diode	DZ2S068C
D 803	(A,121,12) Diode	DZ2S068C
D 804	(A,126,12) Diode	DZ2S068C
D 809	(A,96,14) Diode	DZ2S068C
D 810	(A,108,14) Diode	DZ2S068C
D 811	(A,102,14) Diode	DZ2S068C
D 872	(A,154,76) Diode	RKZ7.5KG(B2)
D 901	(A,139,125) Diode	1SR154-400
D 902	(A,136,125) Diode	1SR154-400
D 911	(A,158,65) Diode	1SR154-400
D 912	(A,162,65) Diode	1SR154-400
D 931	(A,116,107) Diode	HZU7L(A1)

A

Unit Number: QWM3319(A)

: QWM3320(B,C,D,E)

Unit Name : Tuner Amp Unit

MISCELLANEOUS

IC 201	(A,98,112) IC	PML022A
IC 231	(A,144,57) D/A Converter	PCM1753DBQ
IC 301	(A,78,141) IC	PA2030A
IC 401	(A,150,90) IC	TDA7706
IC 501	(A,20,113) IC	BD9008F
IC 510	(A,107,30) IC	BD2232G-G
IC 601	(A,118,65) IC	R5S7266ZD144FP
IC 651	(A,98,53) IC	S-80827CNMC-B8M
IC 671	(A,126,85) Flash ROM Unit(A)	PEB035A8
	(A,126,85) Flash ROM Unit(B,C,D,E)	PEB034A8
IC 801	(A,108,19) L-MOS And Gate	TC7SET08FUS1
IC 912	(A,145,28) IC	BA49182-V12

L 401	(A,159,102) Chip Coil	LCTAWR15J2520
L 402	(A,151,101) Inductor	CTF1786
L 403	(A,146,102) Inductor	CTF1786
L 404	(A,155,103) Chip Coil(A)	LCTAWR27J2520
	(A,155,103) Chip Coil(B,C,D,E)	LCTAWR39J2520
L 405	(A,142,103) Inductor(A)	CTF1389
L 406	(A,139,101) Inductor(A)	LCTAW220J2520
	(A,139,101) Chip Coil(B,C,D,E)	LCTAW1R5J2520
L 407	(A,162,95) Inductor	CTF1786
L 408	(A,162,94) Inductor	CTF1786
L 409	(A,137,93) Chip Coil(A)	LCTAW470J2520

5		6		7		8	
<u>Circuit Symbol and No.</u>		<u>Part No.</u>		<u>Circuit Symbol and No.</u>		<u>Part No.</u>	
	(A,137,93) Inductor(B,C,D,E)	LCTAW2R2J2520		R 433	(A,141,90) (A)	RS1/16SS0R0J	
L 415	(A,146,81) Inductor	CTF1786		R 434	(A,144,97) (B,C,D,E)	RS1/16SS0R0J	
L 417	(A,138,107) Chip Coil(B,C,D,E,)	LCTAWR39J2520		R 501	(A,22,119)	RS1/10SR471J	
L 418	(A,142,105) Chip Coil(B,C,D,E)	LCTAWR27J2520		R 502	(A,24,117)	RS1/16SS4702F	A
L 420	(A,145,106) Inductor(A)	LCYB68NJ1608		R 503	(A,22,117)	RS1/16SS682J	
L 501	(A,34,109) Coil	CTH1475		R 504	(A,20,119)	RS1/16SS1002F	
L 671	(A,131,81) Inductor	CTF1786		R 505	(A,27,113)	RS1/16SS183J	
L 801	(A,116,15) Inductor	CTF1713		R 506	(A,15,114)	RS1/16SS513J	
L 901	(A,112,140) Choke Coil 600 uH	CTH1432		R 508	(A,104,64)	RS1/16SS103J	
X 401	(A,161,87) Oscillator 36.48 MHz	CSS1805		R 601	(A,116,83)	RS1/16SS103J	
X 601	(A,134,59) Ceramic Resonator 16.934 MHz	CSS1603		R 602	(A,114,80)	RS1/16SS473J	
X 602	(A,114,49) Oscillator 12 MHz	YSS5005		R 603	(A,115,83)	RS1/16SS104J	
⚠ P251	(A,7,128) Fuse 3 A	CEK1286		R 604	(A,104,76)	RAB4CQ473J	
P 401	(A,155,108) Surge Protector	IMSA-6802-01Y900		R 607	(A,104,70)	RS1/16SS473J	
CN701	(A,92,38) Connector	VKN1192		R 608	(A,104,69)	RS1/16SS473J	B
CN801	(A,109,3) Connector	CKS6288		R 609	(A,132,66)	RS1/16SS101J	
JA251	(A,19,137) Pin Jack	CKB1056		R 610	(A,103,65)	RS1/16SS222J	
JA401	(A,158,128) Antenna Jack	YKS5041		R 611	(A,139,64)	RS1/16SS101J	
JA892	(A,42,138) Connector(B,C,D,E)	CKS4124		R 612	(A,106,76)	RS1/16SS473J	
JA901	(A,113,140) Plug	CKM1586		R 613	(A,142,64)	RS1/16SS101J	
⚠	Fuse(10 A)	YEK5001		R 615	(A,103,63)	RS1/16SS104J	
				R 617	(A,132,62)	RS1/16SS221J	
				R 619	(A,135,55)	RAB4CQ473J	
				R 620	(A,105,57)	RS1/16SS473J	
RESISTORS							
R 201	(A,100,59)	RAB4CQ102J		R 621	(A,131,52)	RS1/16SS473J	C
R 231	(A,147,56)	RS1/16SS821J		R 622	(A,106,50)	RS1/16SS473J	
R 232	(A,148,56)	RS1/16SS821J		R 623	(A,113,51)	RS1/16SS152J	
R 251	(A,19,130)	RS1/16SS821J		R 624	(A,108,50)	RS1/16SS473J	
R 252	(A,29,131)	RS1/16SS821J		R 626	(A,121,51)	RS1/16SS5601F	
R 255	(A,21,130)	RS1/16SS223J		R 628	(A,127,51)	RS1/16SS103J	
R 256	(A,26,130)	RS1/16SS223J		R 629	(A,106,54)	RS1/16SS102J	
R 303	(A,86,122)	RS1/16SS103J		R 630	(A,125,50) (B,C,D,E)	RS1/16SS473J	
R 304	(A,86,125)	RS1/16SS473J		R 631	(A,125,52)	RS1/16SS473J	
R 331	(A,74,125)	RS1/16SS471J		R 632	(A,121,43)	RS1/16SS103J	
				R 633	(A,117,43)	RS1/16SS101J	
R 332	(A,81,125)	RS1/16SS471J		R 636	(A,109,51)	RS1/16SS473J	D
R 333	(A,75,125)	RS1/16SS471J		R 642	(A,92,53)	RS1/16SS473J	
R 334	(A,80,125)	RS1/16SS471J		R 651	(A,101,53)	RS1/16SS104J	
R 351	(A,91,127)	RS1/16SS103J		R 671	(A,131,86)	RS1/10SR473J	
R 352	(A,90,127)	RS1/16SS103J		R 672	(A,126,91)	RS1/10SR473J	
R 353	(A,91,128)	RS1/16SS221J		R 701	(A,97,43)	RS1/16SS473J	
R 401	(A,161,106)	RS1/16SS221J		R 702	(A,97,37)	RS1/16SS104J	
R 402	(A,161,99)	RS1/16SS751J		R 703	(A,99,41)	RS1/16SS104J	
R 403	(A,139,103) (A)	RS1/16SS152J		R 704	(A,97,47)	RAB4CQ472J	
	(A,139,103) (B,C,D,E)	RS1/16SS331J		R 707	(A,97,44)	RS1/16SS221J	
R 405	(A,142,99)	RS1/16SS105J					
R 406	(A,137,96) (A)	RS1/16SS471J		R 708	(A,97,42)	RS1/16SS221J	
	(A,137,96) (B,C,D,E)	RS1/16SS361J		R 709	(A,97,41)	RS1/16SS101J	E
R 407	(A,139,95)	RS1/16SS330J		R 710	(A,97,40)	RS1/16SS221J	
R 408	(A,138,91) (A)	RS1/16SS681J		R 711	(A,97,39)	RS1/16SS101J	
	(A,138,91) (B,C,D,E)	RS1/16SS391J		R 712	(A,97,38)	RS1/16SS102J	
R 410	(A,136,79)	RS1/4SA8R2J		R 713	(A,97,35)	RS1/16SS151J	
R 412	(A,137,84)	RS1/4SA8R2J		R 714	(A,97,34)	RS1/16SS151J	
				R 715	(A,97,33)	RS1/16SS151J	
R 413	(A,145,107)	RS1/16SS105J		R 716	(A,96,31)	RS1/16SS221J	
R 419	(A,139,70)	RS1/16SS103J		R 717	(A,97,32)	RS1/16SS104J	
R 420	(A,141,70)	RS1/16SS103J					
R 421	(A,153,79)	RS1/16SS0R0J		R 751	(A,97,45)	RS1/16SS473J	
R 427	(A,142,84)	RS1/16SS102J		R 752	(A,99,45)	RS1/16SS103J	
				R 753	(A,143,133)	RS1/10SR821J	F
R 428	(A,139,86)	RS1/16SS0R0J		R 801	(A,121,18)	RS1/10SR101J	
R 431	(A,137,104) (A)	RS1/16SS0R0J		R 802	(A,124,18)	RS1/10SR101J	

1

2

3

4

Circuit Symbol and No.**Part No.****Circuit Symbol and No.****Part No.**

R 803	(A, 102, 18)	RS1/10SR222J			
R 804	(A, 109, 14)	RS1/10SR222J	C 307	(A, 76, 131)	CKSRYB474K10
R 805	(A, 117, 18)	RS1/10SR8R2J	C 308	(A, 79, 131)	CKSRYB474K10
R 806	(A, 118, 18)	RS1/10SR8R2J	C 309	(A, 135, 134)	CKSRYB104K16
R 807	(A, 125, 18)	RS1/10SR222J	C 310	(A, 83, 128) 2.2 uF	CCG1205
			C 311	(A, 82, 131) 2.2 uF	CCG1205
R 808	(A, 100, 18)	RS1/10SR222J			
R 809	(A, 104, 18)	RS1/16SS822J	C 312	(A, 98, 127)	CKSRYB104K16
R 810	(A, 99, 19)	RS1/10SR222J	C 313	(A, 67, 128)	CEVW100M16
R 814	(A, 105, 11)	RS1/10SR0R0J	C 351	(A, 93, 127) 10 uF	CCG1192
R 815	(A, 123, 18)	RS1/10SR101J	C 401	(A, 155, 106)	CCSSCH330J50
			C 402	(A, 158, 104)	CCSSCH6R0D50
R 816	(A, 124, 16)	RS1/16SS223J			
R 817	(A, 121, 16)	RS1/16SS223J	C 403	(A, 161, 104)	CKSSYB103K16
R 818	(A, 127, 18)	RS1/10SR222J	C 404	(A, 150, 100)	CKSSYB104K10
R 851	(A, 96, 16)	RS1/16SS472J	C 405	(A, 147, 99)	CKSSYB104K10
R 871	(A, 151, 65)	RS1/10SR222J	C 406	(A, 160, 101)	CKSSYB103K16
			C 407	(A, 148, 100)	CKSSYB104K10
R 873	(A, 163, 72)	RS1/4SA151J	C 408	(A, 141, 107) (B,C,D,E)	CCSSCH150J50
R 876	(A, 124, 40)	RS1/16SS0R0J			
R 879	(A, 155, 73)	RS1/10SR473J	C 409	(A, 162, 101)	CKSSYB103K16
R 880	(A, 154, 72)	RS1/10SR181J	C 410	(A, 148, 98)	CKSSYB103K16
R 884	(A, 122, 28)	RS1/16SS1R0J	C 411	(A, 145, 100)	CKSSYB103K16
R 891	(A, 54, 133) (B,C,D,E)	RS1/10SR102J	C 412	(A, 144, 100) 10 uF	CCG1192
R 892	(A, 58, 136) (B,C,D,E)	RS1/10SR102J	C 413	(A, 155, 101)	CKSSYB103K16
R 911	(A, 140, 40)	RS1/10SR1R0J	C 414	(A, 152, 102)	CKSRYB105K10
R 912	(A, 144, 41)	RS1/10SR1R0J	C 415	(A, 141, 99)	CKSSYB103K16
R 931	(A, 121, 105)	RS1/16SS223J	C 416	(A, 159, 96)	CKSRYB224K16
R 932	(A, 118, 106)	RS1/16SS473J	C 417	(A, 160, 95)	CKSSYB104K10
R 933	(A, 115, 106)	RS1/16SS472J	C 418	(A, 139, 98) 10 uF	CCG1192
R 934	(A, 115, 113)	RS1/4SA102J	C 419	(A, 158, 93)	CKSRYB105K10
			C 420	(A, 139, 96)	CKSSYB104K10
			C 421	(A, 137, 95) (A)	CCSSCH101J50
				(A, 137, 95) (B,C,D,E)	CCSSCH220J50

CAPACITORS

C 201	(A, 106, 108) 10 uF	CCG1192	C 422	(A, 140, 92)	CKSSYB104K10
C 202	(A, 100, 105)	CCSSCH100D50	C 423	(A, 136, 95)	CKSSYB103K16
C 203	(A, 103, 108) 4.7 uF	CCG1201			
C 204	(A, 100, 106)	CCSSCH100D50	C 424	(A, 162, 91)	CKSSYB472K25
C 205	(A, 93, 105)	CKSRYB105K10	C 425	(A, 162, 92)	CKSSYB472K25
			C 426	(A, 158, 90)	CKSSYB104K10
C 206	(A, 93, 118)	CKSRYB105K10	C 427	(A, 138, 90) (A)	CCSSCH820J50
C 207	(A, 97, 106)	CKSRYB105K10		(A, 138, 90) (B,C,D,E)	CCSSCK2R0C50
C 208	(A, 97, 118)	CKSRYB105K10	C 428	(A, 161, 89)	CCSSCH9R0D50
C 209	(A, 99, 106)	CKSRYB105K10			
C 210	(A, 99, 118)	CKSRYB105K10	C 429	(A, 161, 84)	CCSSCH9R0D50
			C 430	(A, 139, 85) (A)	CKSRYB474K10
C 211	(A, 94, 104)	CKSRYB105K10	C 431	(A, 158, 84) (A)	CKSSYB104K10
C 212	(A, 95, 118)	CKSRYB105K10	C 432	(A, 157, 82) 2.2 uF(B,C,D,E)	CCG1205
C 215	(A, 102, 107)	CCSSCH100D50			
C 232	(A, 144, 52)	CKSSYB103K16	C 433	(A, 140, 83) (B,C,D,E)	CKSSYB104K10
C 233	(A, 149, 54) 10 uF	CCG1192	C 437	(A, 156, 81)	CKSSYB104K10
			C 439	(A, 145, 79) (B,C,D,E)	CKSRYB104K16
C 234	(A, 146, 63) 10 uF	CCG1192	C 440	(A, 147, 82)	CKSSYB104K10
C 237	(A, 148, 60)	CCSRCH182J50			
C 238	(A, 150, 61)	CCSRCH182J50	C 441	(A, 152, 81) 2.2 uF	CCG1205
C 239	(A, 147, 58)	CKSSYB102K50	C 443	(A, 145, 104) (B,C,D,E)	CKSSYB103K16
C 251	(A, 31, 129) 4.7 uF	CCG1201	C 444	(A, 139, 104) (B,C,D,E)	CCSSCH8R0D50
			C 445	(A, 142, 101)	CKSSYB223K16
C 252	(A, 35, 130) 4.7 uF	CCG1201	C 447	(A, 142, 85)	CKSSYB102K50
C 255	(A, 20, 130)	CCSSCH101J50	C 452	(A, 134, 90) (A)	CKSSYB105K6R3
C 256	(A, 28, 130)	CCSSCH101J50	C 455	(A, 137, 88) (A)	CCSSCH100D50
C 259	(A, 33, 135)	CKSSYB102K50			
C 301	(A, 74, 128)	CKSRYB474K10	C 457	(A, 139, 89) (A)	CKSSYB105K6R3
			C 458	(A, 148, 107) (A)	CCSSCJ3R0C50
C 302	(A, 81, 128)	CKSRYB474K10	C 503	(A, 32, 119)	CEVQW221M6R3
C 303	(A, 76, 128)	CKSRYB474K10	C 505	(A, 11, 119) Capacitor	CEVW221M16
C 304	(A, 79, 128)	CKSRYB474K10	C 506	(A, 27, 114)	CKSSYB153K16
C 305	(A, 74, 131)	CKSRYB474K10			
C 306	(A, 81, 131)	CKSRYB474K10	C 508	(A, 26, 114)	CCSSCH220J50
			C 509	(A, 24, 109)	CKSRYB105K16

1

2

3

4

5
Circuit Symbol and No.

6
Part No.

C 510	(A,40,121)	CKSRYB105K10
C 512	(A,113,29)	CKSRYB105K10
C 601	(A,121,78)	CKSSYB104K10
C 602	(A,118,78)	CKSSYB104K10
C 603	(A,114,78)	CKSSYB104K10
C 604	(A,106,73)	CKSSYB104K10
C 605	(A,131,72)	CKSSYB104K10
C 606	(A,104,72)	CKSSYB104K10
C 607	(A,132,71)	CKSSYB104K10
C 608	(A,106,67)	CKSSYB104K10
C 609	(A,132,67)	CKSSYB104K10
C 610	(A,105,66)	CKSSYB104K10
C 612	(A,136,66)	CKSSYB104K10
C 616	(A,105,62)	CKSSYB104K10
C 617	(A,133,63)	CCSSCH100D50
C 618	(A,104,60)	CKSSYB104K10
C 619	(A,132,61)	CKSSYB104K10
C 620	(A,138,58)	CKSSYB104K10
C 621	(A,106,57)	CKSSYB104K10
C 622	(A,130,52)	CKSSYB104K10
C 623	(A,124,51)	CKSSYB104K10
C 624	(A,123,50)	CKSSYB104K10
C 625	(A,122,51)	CKSSYB104K10
C 626	(A,120,51)	CKSSYB104K10
C 627	(A,118,51)	CKSSYB104K10
C 628	(A,114,51)	CKSSYB104K10
C 629	(A,108,52)	CKSSYB104K10
C 630	(A,128,52)	CKSSYB104K10
C 632	(A,115,47)	CCSSCH120J50
C 633	(A,113,47)	CCSSCH120J50
C 638	(A,122,43)	CKSRYB105K10
C 651	(A,105,53)	CKSRYB105K10
C 671	(A,131,83)	CKSSYB104K10
C 701	(A,100,41)	CKSSYB103K16
C 751	(A,147,131) 10 uF	CCG1192
C 754	(A,141,135)	CKSSYB104K10
C 808	(A,113,18)	CKSRYB104K16
C 809	(A,125,9)	CKSRYB104K16
C 810	(A,100,15)	CCSRCH221J50
C 811	(A,98,13)	CCSRCH221J50
C 812	(A,123,12)	CKSRYB105K16
C 817	(A,108,17)	CKSSYB104K10
C 818	(A,124,6)	CKSRYB104K16
C 871	(A,158,75)	CKSSYB104K16
C 872	(A,153,66)	CKSRYB105K16
C 891	(A,34,139) (B,C,D,E)	CKSRYB104K16
C 892	(A,50,138) (B,C,D,E)	CKSRYB104K16
C 901	(A,133,124) 3 300 uF/16 V	CCH1732
C 913	(A,141,40)	CKSSYB102K50
C 914	(A,141,42) 4.7 uF	CCG1201
C 916	(A,150,41) 4.7 uF	CCG1201
C 917	(A,138,40) 4.7 uF	CCG1201
C 918	(A,153,42) 4.7 uF	CCG1201
C 919	(A,144,39)	CKSSYB102K50
C 920	(A,147,42) 4.7 uF	CCG1201
C 921	(A,133,39)	CKSRYB104K16
C 922	(A,157,54) (A)	CEAT102M16
	(A,157,54) 1 000 uF/16 V(B,C,D,E)	CCH2024
C 923	(A,154,40)	CKSSYB102K50
C 926	(A,133,41)	CKSRYB102K50
C 931	(A,114,105)	CKSRYB104K16

7
Circuit Symbol and No.

8
Part No.

B

**Unit Number : (A,B,C,E)
: (D)**

Unit Name : Keyboard Unit

MISCELLANEOUS

IC 1801	(B,85,23) IC (A,B,C,D,E)	PD6581A
IC 1802	(A,159,36) Remote IC	GP1UXC14RK
D 1851	(A,16,30) LED(D)	SML-D12P8W(KL)
D 1852	(A,53,30) LED(D)	SML-D12P8W(KL)
D 1853	(A,16,20) LED(D)	SML-D12P8W(KL)
D 1854	(A,6,41) LED(D)	SML-D12P8W(KL)
D 1855	(A,55,20) LED(D)	SML-D12P8W(KL)
D 1856	(A,62,5) LED(D)	SML-D12P8W(KL)
D 1857	(A,7,19) LED(D)	SML-D12P8W(KL)
D 1858	(A,16,10) LED(D)	SML-D12P8W(KL)
D 1859	(A,52,10) LED(D)	SML-D12P8W(KL)
D 1860	(A,74,5) LED(D)	SML-D12P8W(KL)
D 1861	(A,87,5) LED(D)	SML-D12P8W(KL)
D 1862	(A,100,5) LED(D)	SML-D12P8W(KL)
D 1863	(A,113,5) LED(D)	SML-D12P8W(KL)
D 1864	(A,125,5) LED(D)	SML-D12P8W(KL)
D 1865	(A,138,5) LED(D)	SML-D12P8W(KL)
D 1866	(A,63,21) White LED	SMLXA4WBETW1(Z1)
D 1871	(A,14,30) LED(Red) (A,B,C,E)	SML-D12V8W(PQ)
D 1872	(A,54,31) LED(Red) (A,B,C,E)	SML-D12V8W(PQ)
D 1873	(A,52,20) LED(Red) (A,B,C,E)	SML-D12V8W(PQ)
D 1874	(A,19,20) LED(Red) (A,B,C,E)	SML-D12V8W(PQ)
D 1875	(A,9,41) LED(Red) (A,B,C,E)	SML-D12V8W(PQ)
D 1876	(A,8,19) LED(Red) (A,B,C,E)	SML-D12V8W(PQ)
D 1877	(A,14,10) LED(Red) (A,B,C,E)	SML-D12V8W(PQ)
D 1878	(A,51,10) LED(Red) (A,B,C,E)	SML-D12V8W(PQ)
D 1879	(A,63,5) LED(Red) (A,B,C,E)	SML-D12V8W(PQ)
D 1880	(A,76,5) LED(Red) (A,B,C,E)	SML-D12V8W(PQ)
D 1881	(A,89,5) LED(Red) (A,B,C,E)	SML-D12V8W(PQ)
D 1882	(A,101,5) LED(Red) (A,B,C,E)	SML-D12V8W(PQ)
D 1883	(A,114,5) LED(Red) (A,B,C,E)	SML-D12V8W(PQ)
D 1884	(A,126,5) LED(Red) (A,B,C,E)	SML-D12V8W(PQ)
D 1885	(A,139,5) LED(Red) (A,B,C,E)	SML-D12V8W(PQ)
X 1801	(B,74,22) Ceramic Resonator 5.00 MHz	CSS1547
S 1842	(A,36,20)Encoder(ROTARY COMMANDER)	CSD1168
CN1821	(B,108,9) Connector	CKS6287
CN1911	(A,154,22) Connector	CKS6267
JA1921	(A,153,7) Jack	CKN1090
V 1801	(A,138,32) Segment LCD	CAW2018

RESISTORS

R 1801	(B,73,19)	RS1/10SR222J
R 1802	(B,73,17)	RS1/10SR222J
R 1803	(B,144,29)	RS1/10SR101J
R 1822	(B,54,24)	RS1/10SR273J
R 1823	(B,131,19)	RS1/10SR0R0J
R 1824	(B,69,26)	RS1/10SR0R0J
R 1851	(B,18,27) (D)	RS1/4SA681J
R 1852	(B,18,22) (D)	RS1/4SA681J
R 1853	(B,48,16) (D)	RS1/4SA681J

Circuit Symbol and No.**Part No.****Circuit Symbol and No.****Part No.**

R 1854	(B,17,16) (D)	RS1/4SA561J
R 1856	(B,48,12) (D)	RS1/4SA681J
R 1857	(B,56,10) (D)	RS1/4SA681J
R 1858	(B,140,18) (D)	RS1/4SA681J
R 1859	(B,57,16)	RS1/4SA221J
R 1860	(B,55,16)	RS1/4SA221J
R 1871	(B,14,26) (A,B,C,E)	RS1/4SA681J
R 1872	(B,51,16) (A,B,C,E)	RS1/4SA821J
R 1873	(B,17,20) (A,B,C,E)	RS1/4SA561J
R 1874	(B,61,10) (A,B,C,E)	RS1/4SA821J
R 1875	(B,52,10) (A,B,C,E)	RS1/4SA102J
R 1876	(B,142,18) (A,B,C,E)	RS1/4SA102J
R 1889	(B,23,9) (D)	RS1/10SR0R0J
R 1894	(B,65,16) (D)	RS1/10SR0R0J
R 1895	(B,69,17) (A,B,C,E)	RS1/10SR0R0J

R 264	(A,22,9)	RS1/16SS102J
R 281	(B,33,38)	RS1/16SS560J
R 282	(B,33,39)	RS1/16SS560J
R 283	(B,35,38)	RS1/16SS0R0J
R 291	(B,33,34)	RS1/16SS560J
R 292	(B,33,36)	RS1/16SS0R0J
R 293	(B,35,39)	RS1/16SS0R0J
R 294	(B,27,48)	RS1/16SS471J
R 296	(B,34,43)	RS1/16SS0R0J
R 301	(A,27,9)	RS1/16SS0R0J
R 302	(A,28,9)	RS1/16SS0R0J
R 303	(A,27,11)	RS1/16SS123J
R 304	(A,28,11)	RS1/16SS123J
R 305	(A,26,9)	RS1/16SS102J
R 306	(A,26,11)	RS1/16SS472J
R 307	(A,25,9)	RS1/16SS102J

CAPACITORS

C 1801	(B,147,32) 10 uF	CCG1192
C 1802	(B,95,23)	CKSRYB105K10
C 1911	(B,147,20)	CKSRYB104K16
C 1912	(B,130,27)	CKSRYB104K16

R 308	(A,25,11)	RS1/16SS472J
R 309	(A,35,6)	RS1/16SS473J
R 310	(B,30,9)	RS1/16SS472J
R 311	(B,30,10)	RS1/16SS472J
R 312	(B,30,11)	RS1/16SS472J
R 313	(B,30,12)	RS1/16SS472J
R 701	(A,21,38)	RS1/16SS101J
R 702	(A,23,38)	RS1/16SS101J
R 706	(A,32,42)	RS1/16SS221J
R 708	(B,28,26)	RS1/16SS0R0J
R 709	(B,29,28)	RS1/16SS0R0J

C**Unit Number : CWX4023****Unit Name : CD Core Unit (S11.6STD)****MISCELLANEOUS**

IC 201	(B,23,37) IC	PE5791A
IC 301	(A,37,11) IC	BD8223EFV
Q 101	(B,11,53) Transistor	2SA1577
Q 102	(B,15,54) Chip Digital Transistor	LTA123JUB
X 201	(B,25,49) Ceramic Resonator 16.934 MHz	CS1603
S 901	(A,42,53) Spring Switch(HOME)	CSN1080
S 903	(B,21,12) Spring Switch(DSCSNS)	CSN1081
CN101	(A,16,58) Connector	CKS4808
CN701	(A,25,29) Connector	CKS6146

RESISTORS

R 101	(B,6,57)	RS1/10SR2R4J
R 102	(B,8,57)	RS1/10SR2R4J
R 103	(B,9,57)	RS1/10SR2R7J
R 108	(B,18,55)	RS1/16SS105J
R 109	(B,12,50)	RS1/16SS222J
R 201	(A,24,11)	RS1/16SS0R0J
R 202	(A,23,9)	RS1/16SS0R0J
R 214	(B,18,28)	RS1/16SS103J
R 215	(B,17,28)	RS1/16SS393J
R 216	(B,12,35)	RS1/16SS122J

R 217	(B,10,32)	RS1/16SS562J
R 218	(B,10,35)	RS1/16SS472J
R 229	(B,12,34)	RS1/16SS471J
R 232	(A,31,54)	RS1/16SS0R0J
R 237	(B,33,45)	RS1/16SS221J

R 240	(B,34,40)	RS1/16SS473J
R 245	(A,34,46)	RS1/16SS104J
R 254	(A,37,56)	RS1/16SS104J
R 260	(B,30,27)	RS1/16SS103J

CAPACITORS

C 104	(B,12,57)	CKSQYB475K6R3
C 203	(B,22,47)	CKSSYB104K10
C 209	(B,28,47)	CKSRYB104K16
C 210	(B,33,43)	CKSSYB104K10
C 211	(B,33,41)	CKSSYB104K10
C 212	(B,22,28)	CKSSYB104K10
C 213	(B,18,26)	CKSSYB332K50
C 214	(B,17,26)	CKSSYB473K16
C 215	(B,19,28)	CKSSYB104K10
C 216	(B,12,33)	CKSSYB182K50
C 217	(B,10,34)	CCSSCH560J50
C 218	(B,10,36)	CCSSCH4R0C50
C 219	(B,14,34)	CKSSYB104K10
C 220	(A,18,38)	CKSSYB104K10
C 221	(B,14,32)	CKSSYB104K10
C 222	(B,13,37)	CKSSYB104K10
C 223	(B,12,42)	CCSSCH680J50
C 224	(B,13,45)	CCSSCH470J50
C 225	(B,13,46)	CKSSYB103K16
C 228	(B,10,33)	CCSSCH270J50
C 229	(B,9,40)	CKSSYB104K10
C 233	(B,32,46)	CKSSYB103K16
C 236	(B,8,40)	CKSSYB104K10
C 238	(A,25,44)	CKSRYB104K16
C 299	(A,26,41)	CKSSYB104K10
C 302	(B,28,12)	CKSSYB102K50
C 303	(B,29,12)	CKSSYB102K50
C 304	(B,27,12)	CKSSYB223K16
C 305	(B,26,12)	CKSSYB104K10
C 306	(A,31,7)	CKSSYB104K10

5
Circuit Symbol and No.

6
Part No.

C 307	(A,41,19)	CKSRYB105K10
C 308	(A,31,15)	CKSRYB105K10
C 710	(A,34,42)	CKSSYB102K50

A

Miscellaneous Parts List

M 1	Pickup Unit(P10.6)(Service)	CXX3556
M 1	Motor Unit(SPINDLE)	CXE2273
M 2	Motor Unit(LOADING/CARRIAGE)	CXC4026

B

C

D

E

F