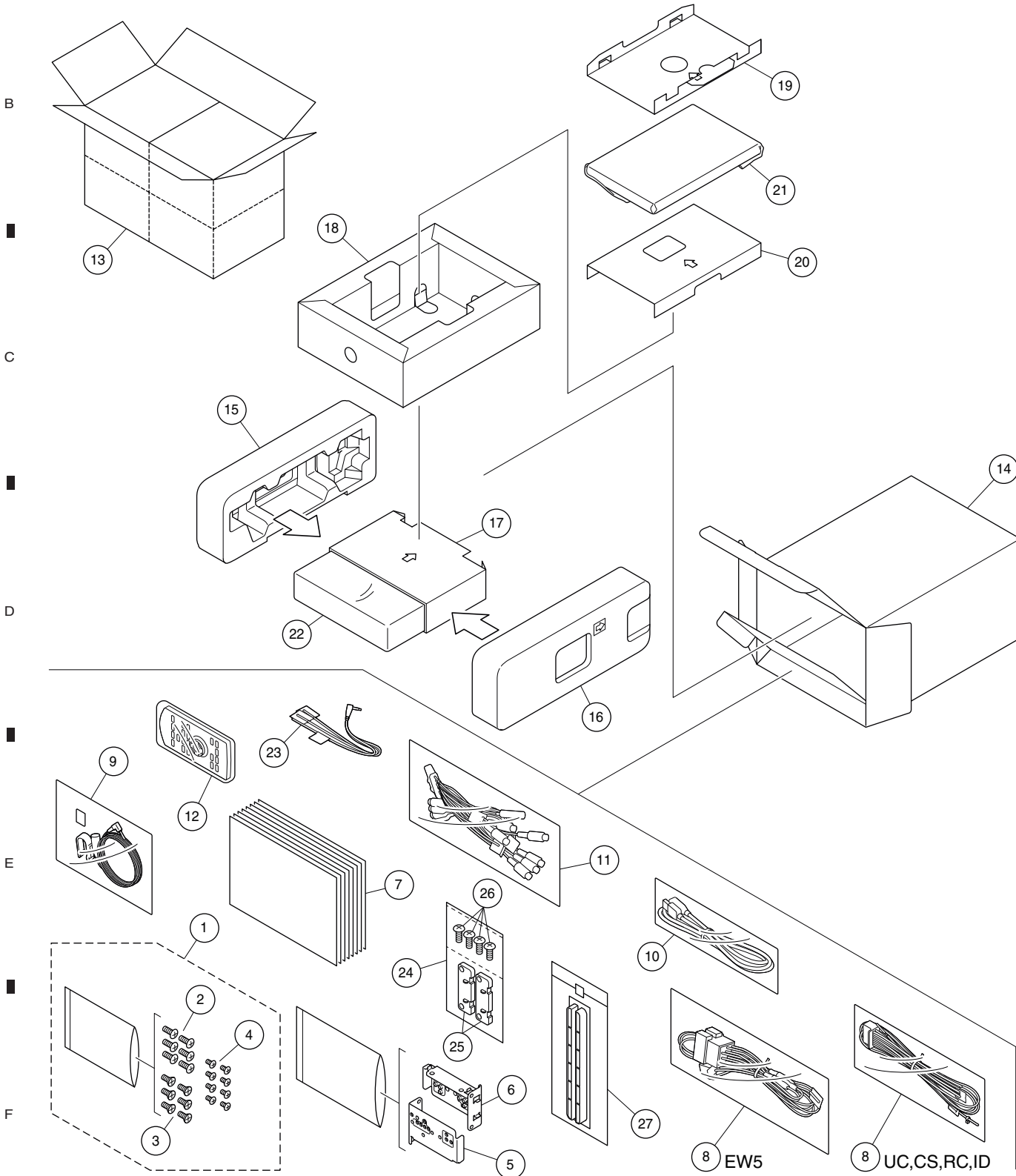


9. EXPLODED VIEWS AND PARTS LIST

NOTES : • Parts marked by "*" are generally unavailable because they are not in our Master Spare Parts List.

- The Δ mark found on some component parts indicates the importance of the safety factor of the part. Therefore, when replacing, be sure to use parts of identical designation.
- Screw adjacent to ∇ mark on the product are used for disassembly.
- For the applying amount of lubricants or glue, follow the instructions in this manual. (In the case of no amount instructions, apply as you think it appropriate.)

9.1 PACKING



(1) PACKING SECTION PARTS LIST

<u>Mark No.</u>	<u>Description</u>	<u>Part No.</u>	<u>Mark No.</u>	<u>Description</u>	<u>Part No.</u>
1	Accessory Assy	See Contrast table (2)	12	Card Remote Control Unit	See Contrast table (2)
2	Screw	BMZ50P080FTC	13	Contain Box	See Contrast table (2)
3	Screw	See Contrast table (2)	14	Unit Box	See Contrast table (2)
4	Screw	BMZ40P050FTC	15	Protector	CHP4684
5	Holder	CND8086			
6	Holder	CND8087	16	Protector	CHP4685
7-1	Quick Start Guide	See Contrast table (2)	17	Protector	CHP5689
7-2	Installation Manual	See Contrast table (2)	18	Protector	CHP5690
* 7-3	Warranty Card	See Contrast table (2)	19	Protector	CHP5691
7-4	Owner's Manual	See Contrast table (2)	20	Protector	CHP5692
			21	Cover	See Contrast table (2)
* 7-5	Caution Card	See Contrast table (2)	22	Polyethylene Bag	See Contrast table (2)
7-6	Owner's Manual	See Contrast table (2)	23	Cord Assy	See Contrast table (2)
8	Cord Assy	See Contrast table (2)	24	Accessory Assy	See Contrast table (2)
9	Microphone Assy (3 m)	CPM1113	25	Spacer	See Contrast table (2)
10	USB Extended Cable	CDP1587			
			26	Screw	See Contrast table (2)
11	Cord Assy	CDP1803	27	Escutcheon	See Contrast table (2)

(2) CONTRAST TABLE

DMH-C5500NEX/XNUC, SPH-EVO82DAB/XNEW5, DMH-ZS8250BT/XNCS, DMH-ZS8250BT/XNRC and DMH-ZS8290BT/XNID are constructed the same except for the following:

Mark	No.	Description	DMH-C5500NEX/XNUC	SPH-EVO82DAB/XNEW5	DMH-ZS8250BT/XNCS
	1	Accessory Assy	CEW7544	CEW7544	CEW7543
	3	Screw	CMZ50P080FTC	CMZ50P080FTC	Not used
	7-1	Quick Start Guide	CRD5136	CRD5134	Not used
	7-2	Installation Manual	CRD5137	CRD5135	Not used
*	7-3	Warranty Card	QRY3001	CRY1376	Not used
	7-4	Owner's Manual	See Contents of Web IM (3)	See Contents of Web IM (3)	CRD5139
*	7-5	Caution Card	Not used	CRP1481	Not used
	7-6	Owner's Manual	Not used	CRB5223	Not used
	8	Cord Assy	CDP1837	CDP1697	CDP1837
	12	Card Remote Control Unit	CXE5116	Not used	CXE5116
	13	Contain Box	CHL9727	CHL9728	CHL9726
	14	Unit Box	CHG9708	CHG9709	CHG9707
	21	Cover	CEG1419	CEG1356	CEG1356
	22	Polyethylene Bag	CEG1173	QEG3001	QEG3001
	23	Cord Assy	Not used	Not used	Not used
	24	Accessory Assy	Not used	Not used	CEW8270
	25	Spacer	Not used	Not used	CNU4409
	26	Screw	Not used	Not used	CBA2412
	27	Escutcheon	Not used	Not used	CNU4410

Mark	No.	Description	DMH-ZS8250BT/XNRC	DMH-ZS8290BT/XNID	
A	1	Accessory Assy	CEW7543	CEW7543	
	3	Screw	Not used	Not used	
	7-1	Quick Start Guide	Not used	CRB5224	
	7-2	Installation Manual	Not used	Not used	
	* 7-3	Warranty Card	Not used	CRY1304	
	*	7-4	Owner's Manual	CRD5138	See Contents of Web IM (3)
		7-5	Caution Card	Not used	Not used
		7-6	Owner's Manual	Not used	Not used
	B	8	Cord Assy	CDP1837	CDP1837
		12	Card Remote Control Unit	CXE5116	CXE5116
		13	Contain Box	CHL9723	CHL9725
		14	Unit Box	CHG9704	CHG9706
		21	Cover	CEG1356	CEG1356
22		Polyethylene Bag	QEG3001	QEG3001	
23		Cord Assy	CDP1805	Not used	
24		Accessory Assy	Not used	Not used	
25		Spacer	Not used	Not used	
26		Screw	Not used	Not used	
27		Escutcheon	Not used	Not used	

Owner's Manual, Quick Start Guide, Installation Manual

Part No.	Language
CRB5223	Russian
CRB5224	English
CRD5134	English, French, Italian, Spanish (Español), German, Dutch
CRD5135	English, French, Italian, Spanish (Español), German, Dutch
CRD5136	English, French, Spanish (Español)
CRD5137	English, French, Spanish (Español)
CRD5138	English, Traditional Chinese, Indonesian, Thai
CRD5139	English, Spanish (Español), Portuguese (B)

(3) CONTENTS OF Web IM

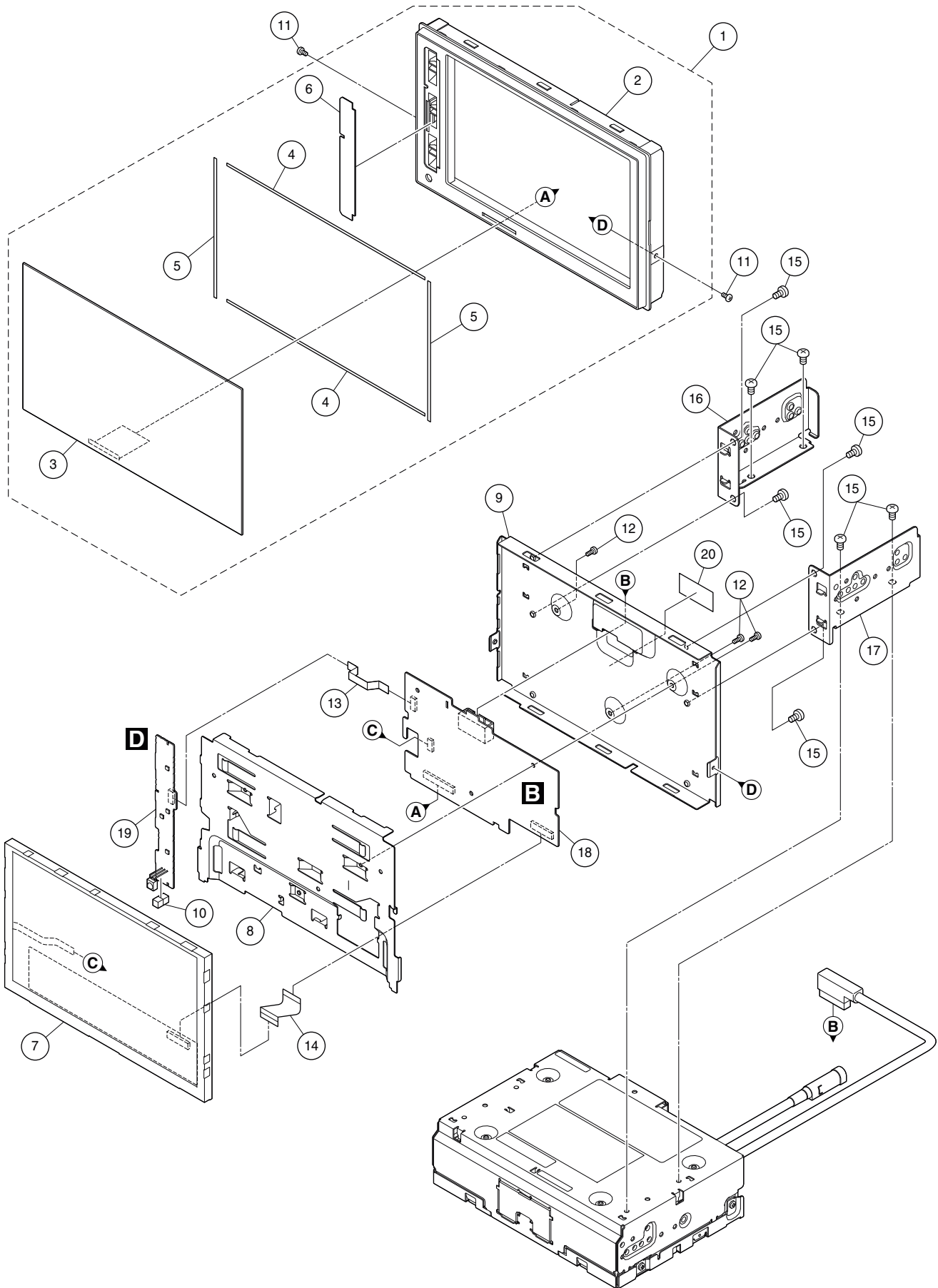
Part No.	Language
*OPMWEB_DMHC5500NEXXNUC_en_A	(UC model) English
*OPMWEB_DMHC5500NEXXNUC_frca_A	(UC model) French
*OPMWEB_DMHC5500NEXXNUC_esmx_A	(UC model) Spanish (Español)
*OPMWEB_SPHEVO82DABXNEW5_engb_A	(EW5 model) English
*OPMWEB_SPHEVO82DABXNEW5_fr_A	(EW5 model) French
*OPMWEB_SPHEVO82DABXNEW5_it_A	(EW5 model) Italian
*OPMWEB_SPHEVO82DABXNEW5_es_A	(EW5 model) Spanish (Español)
*OPMWEB_SPHEVO82DABXNEW5_de_A	(EW5 model) German
*OPMWEB_SPHEVO82DABXNEW5_nl_A	(EW5 model) Dutch
*OPMWEB_SPHEVO82DABXNEW5_sv_A	(EW5 model) Swedish
*OPMWEB_SPHEVO82DABXNEW5_no_A	(EW5 model) Norwegian
*OPMWEB_SPHEVO82DABXNEW5_fi_A	(EW5 model) Finnish
*OPMWEB_SPHEVO82DABXNEW5_da_A	(EW5 model) Danish
*OPMWEB_SPHEVO82DABXNEW5_pt_A	(EW5 model) Portuguese
*OPMWEB_SPHEVO82DABXNEW5_el_A	(EW5 model) Greek
*OPMWEB_SPHEVO82DABXNEW5_tr_A	(EW5 model) Turkish
*OPMWEB_DMHZS8290BTXNID_engb_A	(ID model) English

Above operation manuals are supplied in PDF files by the WEB.

Regarding the availability of paper manual, contact Pioneer Service representative in your region.

5 6 7 8

9.2 EXTERIOR (1)



(1) EXTERIOR (1) SECTION PARTS LIST

<u>Mark No.</u>	<u>Description</u>	<u>Part No.</u>	<u>Mark No.</u>	<u>Description</u>	<u>Part No.</u>
1	Grille Assy	See Contrast table (2)	11	Screw	ISS26P055FTC
2	Grille	CNU4295	12	Screw	BSZ26P060FTC
3	Touch Panel	See Contrast table (2)	13	FFC	CDD1295
4	DS Tape	CNN5645	14	FFC	CDD1286
5	DS Tape	CNN5646	15	Screw	BMZ40P050FTC
6	Sheet	CNN5651	16	Holder	CND8087
7	TFT LCD	CWX4964	17	Holder	CND8086
8	Holder	CND8101	18	Service Unit (Monitor)	See Contrast table (2)
9	Case	CNB4085	19	Service Unit (KEYILM)	CXY2622
10	Cushion	CNN5690	20	Name Label	See Contrast table (2)

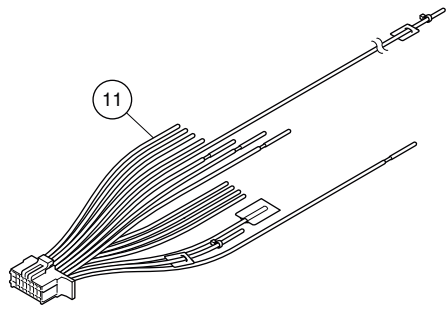
(2) CONTRAST TABLE

DMH-C5500NEX/XNUC, SPH-EVO82DAB/XNEW5, DMH-ZS8250BT/XNCS, DMH-ZS8250BT/XNRC and DMH-ZS8290BT/XNID are constructed the same except for the following:

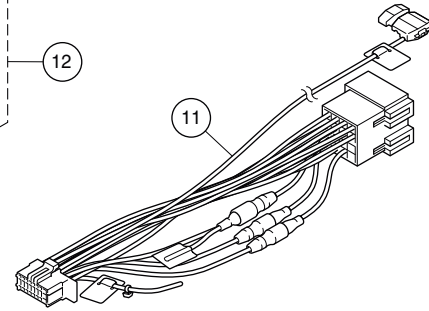
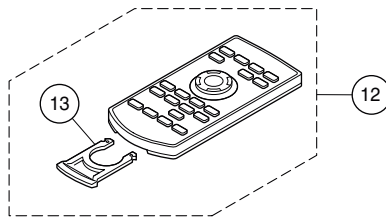
Mark	No.	Description	DMH-C5500NEX/XNUC	SPH-EVO82DAB/XNEW5	DMH-ZS8250BT/XNCS
*	1	Grille Assy	CXF2401	CXF2400	CXF2400
*	3	Touch Panel	CSX1417	CSX1395	CSX1395
*	18	Service Unit (Monitor)	CXY2610	CXY2611	CXY2612
*	20	Name Label	CAV1285	CAV1286	CAV1283

Mark	No.	Description	DMH-ZS8250BT/XNRC	DMH-ZS8290BT/XNID
*	1	Grille Assy	CXF2400	CXF2400
*	3	Touch Panel	CSX1395	CSX1395
*	18	Service Unit (Monitor)	CXY2610	CXY2610
*	20	Name Label	CAV1283	CAV1284

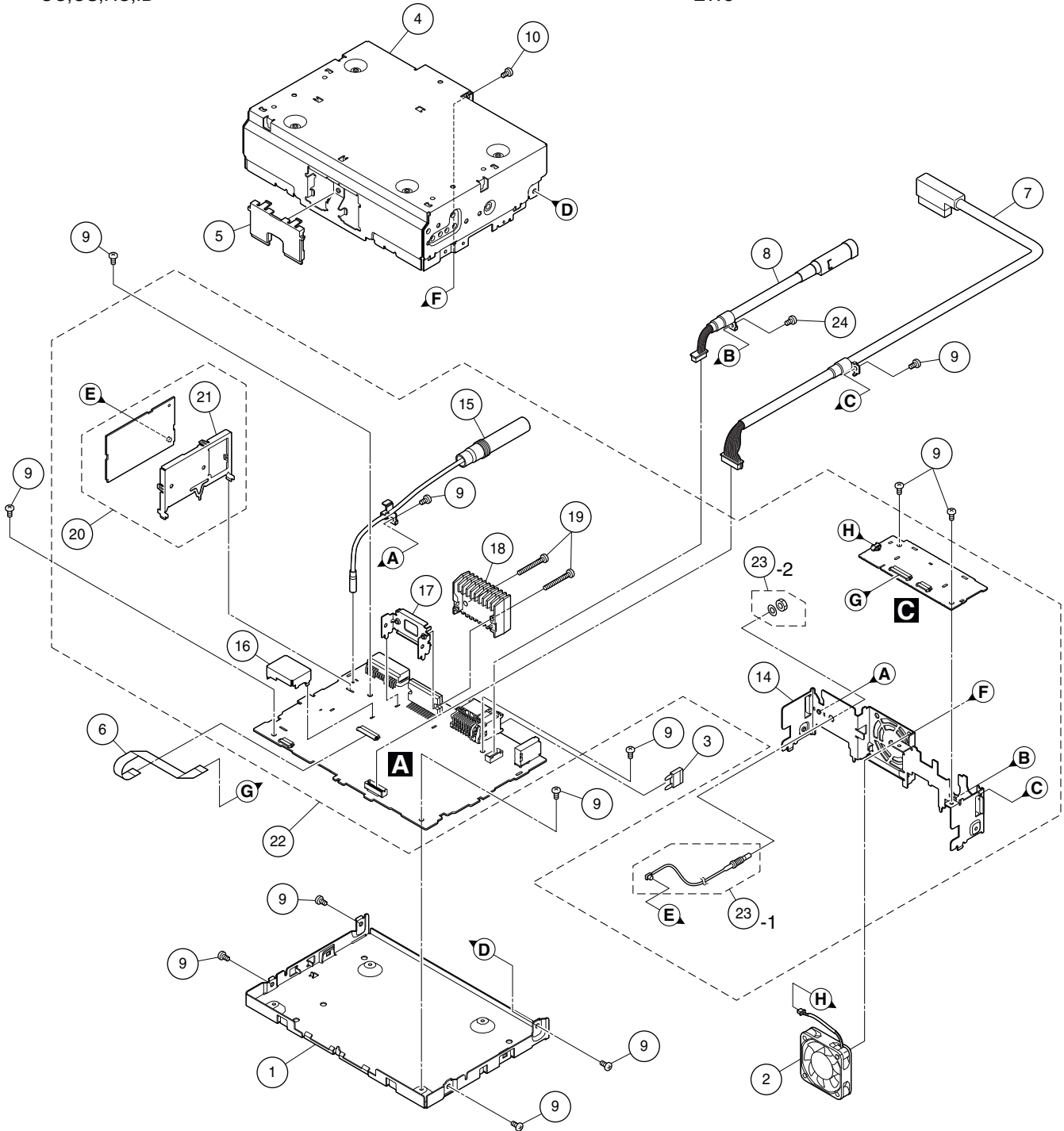
9.3 EXTERIOR (2)



UC,CS,RC,ID



EW5



A
B
C
D
E
F

(1) EXTERIOR (2) SECTION PARTS LIST

<u>Mark No.</u>	<u>Description</u>	<u>Part No.</u>	<u>Mark No.</u>	<u>Description</u>	<u>Part No.</u>
1	Chassis	CNA3470	13	Battery Cover	See Contrast table (2)
2	Motor	CXM1449	14	Holder	See Contrast table (2)
3	Fuse (10 A)	YEK5001	15	Antenna Cable	CDH1409
4	Case	CNB4077			
5	Cover	CNU4252	16	Shield Case	See Contrast table (2)
			17	Holder	CND7490
6	FFC	CDD1288	18	Heat Sink	CNR2181
7	Cord Assy	CDF1320	19	Screw	BSZ26P160FTC
8	Cord Assy	See Contrast table (2)	20	BE Core Unit (U1801)	See Contrast table (2)
9	Screw	BSZ26P060FTC			
10	Screw	BPZ30P080FTC	21	Holder	See Contrast table (2)
			22	Service Unit (Mother I/F)	See Contrast table (2)
11	Cord Assy	See Contrast table (2)	23	Antenna Cable Assy	See Contrast table (2)
12	Card Remote Control Unit	See Contrast table (2)	24	Screw	See Contrast table (2)

(2) CONTRAST TABLE

DMH-C5500NEX/XNUC, SPH-EVO82DAB/XNEW5, DMH-ZS8250BT/XNCS, DMH-ZS8250BT/XNRC and DMH-ZS8290BT/XNID are constructed the same except for the following:

Mark	No.	Description	DMH-C5500NEX/XNUC	SPH-EVO82DAB/XNEW5	DMH-ZS8250BT/XNCS
	8	Cord Assy	CDF1290	Not used	Not used
	11	Cord Assy	CDP1837	CDP1697	CDP1837
	12	Card Remote Control Unit	CXE5116	Not used	CXE5116
	13	Battery Cover	CNU1624	Not used	CNU1624
	14	Holder	CND8066	CND8068	CND8068
	16	Shield Case	CND7762	CND7762	Not used
	20	BE Core Unit (U1801)	CWE2518	CWE2571 (WWR Tuner Unit)	Not used
	21	Holder	CND7288	CND7288	Not used
	22	Service Unit (Mother I/F)	CXY2585	CXY2586	CXY2584
	23	Antenna Cable Assy	Not used	CXE7975	Not used
	24	Screw	BSZ26P060FTC	Not used	Not used

Mark	No.	Description	DMH-ZS8250BT/XNRC	DMH-ZS8290BT/XNID
	8	Cord Assy	Not used	Not used
	11	Cord Assy	CDP1837	CDP1837
	12	Card Remote Control Unit	CXE5116	CXE5116
	13	Battery Cover	CNU1624	CNU1624
	14	Holder	CND8068	CND8068
	16	Shield Case	Not used	Not used
	20	BE Core Unit (U1801)	Not used	Not used
	21	Holder	Not used	Not used
	22	Service Unit (Mother I/F)	CXY2581	CXY2583
	23	Antenna Cable Assy	Not used	Not used
	24	Screw	Not used	Not used

12. ELECTRICAL PARTS LIST

NOTE:

- Parts whose parts numbers are omitted are subject to being not supplied.
- The part numbers shown below indicate chip components.

Chip Resistor

RS1/○S○○○○J,RS1/○○S○○○○J

Chip Capacitor (except for CQS.....)

CKS....., CCS....., CSZS.....

- Parts marked by " * " are generally unavailable because they are not in our Master Spare Parts List.
- The Δ mark found on some component parts indicates the importance of the safety factor of the part. Therefore, when replacing, be sure to use parts of identical designation.
- The expression of the unit in this manual is shown by u instead of μ . Please do not make a mistake.

	<u>Circuit Symbol and No.</u>	<u>Part No.</u>	<u>Circuit Symbol and No.</u>	<u>Part No.</u>
A:	DMH-C5500NEX/XNUC		IC 141	Regulator IC MM3411A33N
B:	SPH-EVO82DAB/XNEW5		IC 161	Regulator IC RP108J081D-AE
C:	DMH-ZS8250BT/XNCS		IC 171	Regulator IC MM3411A12N
D:	DMH-ZS8250BT/XNRC		IC 231	Regulator IC MM1856A50N
E:	DMH-ZS8290BT/XNID		IC 271	Regulator IC MM1856A58N
Unit Number:	CXY2585 (A)		IC 301	Regulator IC(A,B) MM3479A33P
Unit Number:	CXY2586 (B)		IC 302	Regulator IC(A,B) MM3479A12P
Unit Number:	CXY2584 (C)		IC 303	Regulator IC(B) MM3479A33P
Unit Number:	CXY2581 (D)		IC 304	Regulator IC MM3479A33P
Unit Number:	CXY2583 (E)		IC 351	DC/DC CONV IC KBD9876EFJ
Unit Name :	Service Unit (Mother I/F)		IC 401	IC AN33012UA
Unit Number:	CXY2610 (A, D, E)		IC 451	DC/DC CONV IC MM3630BR
Unit Number:	CXY2611 (B)		IC 501	DC/DC CONV IC TLV62065TDSGQ1
Unit Number:	CXY2612 (C)		*IC 601	Flash Blank UC IC MN103LFA5RXW
Unit Name :	Service Unit (Monitor)		IC 901	U-PRO IC MN2KSC100M
Unit Number:	CXY2622		IC 1101	CONV IC AK5720VT
Unit Name :	Service Unit (KEYILM)		IC 1191	IC 337S3959
<u>Service Unit (Mother I/F)</u>			IC 1301	Flash ROM Unit(A) CVQ1217
<u>Consists of</u>			IC 1301	Flash ROM Unit(B,C,D,E) CVQ1215
<u>Mother PCB</u>			IC 1321	Flash Memory IC(A) W25Q64JVSSIQ
<u>Interface PCB</u>			IC 1321	Flash Memory IC(B,C,D,E) W25Q16JVSSIQ
A C			IC 1341	Flash ROM Unit CVQ1222
Unit Number:	CXY2585 (A)		IC 1401	RAM IC W631GG6MB-12
Unit Number:	CXY2586 (B)		IC 1402	RAM IC W631GG6MB-12
Unit Number:	CXY2584 (C)		IC 1501	IC AK4223VQ
Unit Number:	CXY2581 (D)		IC 1601	OP AMP IC NJW1240V
Unit Number:	CXY2583 (E)		IC 1721	Logic IC TC7SH32FUS2
Unit Name :	Service Unit (Mother I/F)		IC 1901	Logic IC TC7SZU04FUS2
<u>MISCELLANEOUS</u>			IC 2001	Interface IC CXD4933GG
IC 101	Regulator IC	NJW4181U3-33B	IC 2451	Interface IC STCC2540IQ
IC 111	Regulator IC	NJW4184DL3-08A	IC 2551	Buffer Logic IC(A) TC7SH126FUS1
			IC 2552	AND Logic IC(A) MC74VHC1GT08DFG
			IC 4011	IC NJM2387ADL3
			IC 4171	AND Logic IC(A) MC74VHC1GT08DFG
			IC 4172	AND Logic IC(A) MC74VHC1GT08DFG
			IC 4201	OP AMP IC NJU7043V
			IC 8401	Tuner IC(A) TEF6688HN-V102
			IC 8401	Tuner IC(B,C,D,E) TEF6688HN-V102
			IC 9001	E-VOL SYS LSI PM9015A
			IC 9201	Power AMP IC TCB501HQ
			Q 3	Bipolar TR HN1C01FUS1
			Q 5	Resistor Built-IN TR LTC014EEB
			Q 6	Bipolar TR LSCR523UB
			Q 7	Bipolar TR LSAR523UB

5			6		7			8	
<u>Circuit Symbol and No.</u>			<u>Part No.</u>		<u>Circuit Symbol and No.</u>			<u>Part No.</u>	
Q	8	Bipolar TR	LSAR523UB		D	4082	Diode	RSB18V	
Q	190	Resistor Built-IN TR	LTC014EEB		D	4171	Switching Diode(A)	1SS355VM	
Q	191	Bipolar TR	LSAR523UB		D	8451	Diode	EZAEG2A50AX	
Q	301	Transistor(B)	2SD2153		D	8452	Diode	EZAEG2A50AX	A
Q	302	Transistor(B)	2SAR293PGZE		D	8453	Zener Diode	RSB6R8SM	
Q	303	Resistor Built-IN TR(B)	LTC014EEB		L	3	Choke Coil 120 uH	CTH1636	
Q	401	Power MOS FET	SFT1342		L	51	Choke Coil(B,D) 3.6 uH	CTH1479	
Q	402	Power MOS FET	SFT1342		L	101	Chip Beads	VTL1127	
Q	602	Resistor Built-IN TR(C,D,E)	RN4982S1		L	351	SMD SPL Inductor	CTH1696	
Q	603	Resistor Built-IN TR(C,D,E)	RN4982S1		L	401	SMD SPL Inductor	CTH1542	
Q	604	Resistor Built-IN TR(C,D,E)	RN4982S1		L	402	Choke Coil 7.0 uH	CTH1381	
Q	605	Resistor Built-IN TR(C,D,E)	RN4982S1		L	451	SMD SPL Inductor	CTH1584	
Q	1131	Bipolar TR	LSCR523UB		L	501	Inductor	CTH1629	
Q	1191	Bipolar TR	LSAR523UB		L	801	Inductor	CTF1645	
Q	1601	Resistor Built-IN TR	LTC044EEB		L	802	Inductor	CTF1740	B
Q	1721	Resistor Built-IN TR	LTC043ZEB		L	803	Inductor	CTF1645	
Q	1901	Transistor	2SAR502UB		L	1801	Inductor(B)	CTF1786	
Q	1902	Resistor Built-IN TR	LTC023YEB		L	1802	Inductor(A,B)	CTF1872	
Q	2301	Transistor	2SD2114K		L	1803	Inductor(A,B)	CTF1872	
Q	2302	Resistor Built-IN TR	RN4984S1		L	1901	SMD Ferrite Beads	CTF1869	
Q	2303	Resistor Built-IN TR	RN4984S1		L	2301	Chip Beads	VTL1126	
Q	4011	Resistor Built-IN TR	LTC014EEB		L	2302	Chip Beads	VTL1126	
Q	4201	Bipolar TR	LSCR523UB		L	2303	Chip Beads	VTL1126	
Q	8401	Bipolar TR(A)	MMBT2369L		L	2304	Chip Beads	VTL1126	
Q	8402	Bipolar TR(A)	MMBT2369L		L	2305	Chip Beads	VTL1126	C
Q	8403	Bipolar TR(A)	MMBT2369L		L	2351	Chip Beads	VTL1126	
Q	8404	Bipolar TR(A)	MMBT2369L		L	2352	Chip Beads	VTL1126	
D	4	Diode	D1F60-5053		L	2353	Chip Beads	VTL1126	
D	5	Diode	D1F60-5053		L	2355	Chip Beads	VTL1126	
D	7	Zener Diode	UDZV6R2(B)		L	2356	Chip Beads	VTL1126	
D	8	Zener Diode	UDZV6R8(B)		L	2357	Chip Beads	VTL1126	
D	9	Switching Diode	1SS355VM		L	2401	Chip Beads	VTL1126	
D	10	Zener Diode	UDZV5R6(B)		L	2402	Chip Beads	VTL1126	
D	12	Switching Diode	1SS355VM		L	2403	Chip Beads	VTL1126	
D	13	Switching Diode	1SS355VM		L	2404	Chip Beads	VTL1126	
D	14	Schottky Diode	RB080LAM-30TF		L	2405	Chip Beads	VTL1126	D
D	162	Schottky Diode	RB056LAM-40TF		L	2406	Chip Beads	VTL1126	
D	163	Schottky Diode	RB056LAM-40TF		L	2407	SMD Ferrite Beads	CTF1869	
D	303	Zener Diode(B)	UDZV16(B)		L	2431	Chip Beads	VTL1126	
D	351	Schottky Diode	RB056LAM-40TF		L	2432	Chip Beads	VTL1126	
D	401	Schottky Diode	RB056LAM-40TF		L	2451	Noise Filter	CTF1887	
D	402	Schottky Diode	RB056LAM-40TF		L	4083	Chip Beads	VTL1126	
D	451	Schottky Diode	RB080LAM-30TF		L	4084	Chip Beads	VTL1126	
D	601	Schottky Diode	RB751SM-40		L	4104	Chip Beads	VTL1126	
D	602	Schottky Diode	RB751SM-40		L	4105	Chip Beads	VTL1126	
D	871	Zener Diode	RSB6R8SM		L	4201	Ferrite Bead	CTF1528	
D	1901	Zener Diode	RSB6R8SM		L	8401	SMD Ferrite Beads	CTF1893	E
D	1904	Zener Diode	RSB6R8SM		L	8403	Inductor	LCTC150K1608	
D	1905	Zener Diode	RSB6R8SM		L	8405	Inductor	LCMAR27J1608	
D	2301	Diode	RSB18V		L	8409	Inductor	CTF1787	
D	2302	Diode	RSB18V		X	601	Crystal Resonator 12.500 MHz	CSS1839	
D	2303	Diode	RSB18V		X	801	Resonator 24 MHz	CSS1773	
D	2304	Diode	RSB18V		X	1901	Resonator 32.768 kHz	CSS1807	
D	2305	Zener Diode	UDZV3R9(B)		X	8401	Crystal Resonator 9.216 MHz	CSS1888	
D	2352	Diode	RSB18V		⚠	P301	Poly Switch(A)	FSMD110-24R	
D	2353	Diode	RSB18V		⚠	P301	Poly Switch(B)	FSMD050-R	
D	2354	Diode	RSB18V		⚠	P301	Poly Switch(C,D,E)	FSMD020-R	F
D	2451	Diode	EZAEG2A50AX		⚠	P2201	Fuse 0.75 A	CEK1398	
D	2452	Diode	EZAEG2A50AX		⚠	P2352	Poly Switch	FSMD075-24R	
D	4081	Diode	RSB18V						

1

Circuit Symbol and No.

2

Part No.

3

Circuit Symbol and No.

4

Part No.

⚠ P2401 Poly Switch
 ⚠ P4081 Poly Switch
 P 8451 Surge Absorber
 A F 9001 EMI Filter
 F 9002 EMI Filter

FSMD075-24R
 FSMD075-24R
 IMSA-6803-01Y900
 CCG1142
 CCG1142

R 318 (B)
 R 319 (B)
 R 320 (B)
 R 321 (A,B)
 R 351

RS1/4SA471J
 RS1/16SS104J
 RS1/16SS183J
 RS1/16SS102J
 RS1/16SS302J

F 9201 EMI Filter
 F 9202 EMI Filter
 TH 801 Thermistor
 VL 8401 Variable Coil
 CN 2201 Connector

CCG1142
 CCG1142
 CCX1084
 CTC1215
 CKS5567

R 352
 R 353
 R 354
 R 357
 R 401

RS1/16SS4702D
 RS1/16SS1202D
 RS1/16SS822J
 RS1/8SQ331J
 RS1/16SS561J

CN 2251 FFC/FPC Connector
 CN 2301 Connector
 CN 2551 Connector(A)
 CN 3201 Connector(A)
 B CN 4001 FFC/FPC Connector

CKS6640
 CKS6461
 CKS4674
 CKS6603
 CKS6640

R 402
 R 403
 R 404
 R 405
 R 406

RS1/16SS1502D
 RS1/16SS1301D
 RS1/16SS5101D
 RS1/16SS222J
 RS1/16SS103J

CN 4011 Connector
 JA 1 Connector
 JA 2451 USB Jack
 JA 4081 3.5 DIA Jack
 JA 4101 Jack

CKS4977
 CKM1613
 KKN1136
 CKS6437
 KKN1101

R 408 11 mohm
 R 409
 R 410
 R 411 15 mohm
 R 412

CCN1341
 RS1/16SS204J
 RS1/16SS394J
 CCN1328
 RS1/16SS224J

U 1801 BE Core Unit(A)
 U 1801 WWR Tuner Unit(B)
 U 1901 BT Module

CWE2518
 CWE2571
 CWX4751

R 413
 R 414
 R 415
 R 416
 R 417

RS1/16SS272J
 RS1/16SS1101D
 RS1/16SS1001D
 RS1/16SS1502D
 RS1/16SS470J

RESISTORS

R 51 (A,C,E)
 R 53
 R 55
 R 56
 R 57

RS1/4SA0R0J
 RS1/16SS103J
 RS1/16SS473J
 RS1/16SS472J
 RS1/16SS104J

R 422
 R 423
 R 432 15 mohm
 R 437
 R 451

RS1/16SS473J
 RS1/16SS473J
 CCN1328
 RS1/4SA331J
 RS1/16SS123J

R 58
 R 59
 R 60
 R 61
 R 62

RS1/16SS473J
 RS1/4SA102J
 RS1/16SS103J
 RS1/16SS472J
 RS1/4SA102J

R 452
 R 453
 R 455
 R 456
 R 457

RS1/16SS3001D
 RS1/16SS1602D
 RS1/16SS2001D
 RS1/16SS473J
 RS1/16SS304J

D R 63
 R 64
 R 65
 R 66
 R 67

RS1/16SS473J
 RS1/16SS104J
 RS1/16SS472J
 RS1/4SA102J
 RS1/16SS102J

R 458 100 mohm
 R 461
 R 502
 R 505
 R 507

CCN1339
 RS1/4SA331J
 RS1/16SS473J
 RS1/16SS1803D
 RS1/16SS2703D

R 68
 R 69
 R 70
 R 71
 R 72

RS1/16SS473J
 RS1/16SS223J
 RS1/16SS103J
 RS1/16SS223J
 RS1/16SS102J

R 603
 R 604
 R 605
 R 606
 R 607

RS1/16SS472J
 RS1/16SS104J
 RS1/16SS473J
 RS1/16SS473J
 RS1/16SS221J

E R 73
 R 74
 R 161
 R 162
 R 190

RS1/16SS473J
 RS1/16SS103J
 RS1/16SS5601D
 RS1/16SS1202D
 RS1/16SS222J

R 608
 R 609
 R 610
 R 611
 R 612

RS1/16SS221J
 RS1/16SS472J
 RS1/16SS102J
 RS1/16SS103J
 RS1/16SS471J

R 191
 R 304 (A,B)
 R 307 (B)
 R 308
 R 309 (B)

RS1/16SS222J
 RS1/16SS102J
 RS1/16SS102J
 RS1/16SS102J
 RS1/10SR0R0J

R 613
 R 614
 R 618
 R 619
 R 625

RS1/16SS473J
 RS1/16SS471J
 RS1/16SS472J
 RS1/16SS472J
 RS1/16SS102J

R 310 (A,B)
 F R 311
 R 315 (B)
 R 316 (B)
 R 317 (B)

RS1/10SR0R0J
 RS1/10SR0R0J
 RS1/16SS911J
 RS1/16SS103J
 RS1/4SA471J

R 626
 R 627
 R 628
 R 629
 R 631

RS1/16SS0R0J
 RS1/16SS102J
 RS1/16SS104J
 RS1/16SS473J
 RS1/16SS121J

1

2

3

4

5		6		7		8	
<u>Circuit Symbol and No.</u>		<u>Part No.</u>		<u>Circuit Symbol and No.</u>		<u>Part No.</u>	
R	632		RS1/16SS104J	R	807 (A)		RS1/16SS473J
R	633		RS1/16SS121J	R	808 (A)		RS1/16SS680J
R	634 (B)		RS1/16SS0R0J	R	809 (A)		RS1/16SS0R0J
R	635		RS1/16SS102J	R	812 (A)		RS1/16SS471J
R	636		RS1/16SS473J	R	813 (A)		RS1/16SS473J
R	640		RS1/16SS682J	R	814 (A)		RS1/16SS0R0J
R	643 (A,B)		RS1/16SS102J	R	815 (A)		RS1/16SS0R0J
R	644 (A,B)		RS1/16SS104J	R	822		RS1/10SR0R0J
R	649 (B)		RS1/16SS0R0J	R	825		RS1/16SS103J
R	650		RS1/16SS101J	R	826		RS1/10SR0R0J
R	651 (A,B)		RS1/16SS102J	R	829		RS1/16SS0R0J
R	651 (C,D,E)		RS1/16SS1001D	R	830		RS1/16SS121J
R	652 (C,D,E)		RS1/16SS6800D	R	831 (A)		RS1/16SS0R0J
R	653		RS1/16SS103J	R	834		RS1/16SS473J
R	656		RS1/16SS822J	R	835		RS1/16SS473J
R	657		RS1/16SS471J	R	836 (A)		RS1/16SS473J
R	659		RS1/16SS473J	R	837		RS1/16SS473J
R	660		RS1/16SS473J	R	840		RS1/16SS473J
R	661		RS1/16SS222J	R	841		RS1/16SS473J
R	662		RS1/16SS221J	R	842		RS1/16SS473J
R	665		RS1/16SS221J	R	843		RS1/16SS473J
R	666		RS1/16SS221J	R	844		RS1/16SS473J
R	668		RS1/16SS221J	R	845		RS1/16SS103J
R	669		RS1/16SS104J	R	847		RS1/10SR0R0J
R	670 (C)		RS1/16SS104J	R	848 (A)		RS1/16SS473J
R	671 (D,E)		RS1/16SS104J	R	850		RS1/16SS222J
R	672 (C,D)		RS1/16SS104J	R	851		RS1/16SS222J
R	673 (E)		RS1/16SS104J	R	852		RS1/16SS104J
R	674 (C,D,E)		RS1/16SS104J	R	853 (A)		RS1/16SS105J
R	676 (C)		RS1/16SS104J	R	856		RS1/16SS473J
R	677 (A,D,E)		RS1/16SS104J	R	861		RAB4CQ390J
R	679		RS1/16SS104J	R	862		RAB4CQ390J
R	683		RS1/16SS472J	R	863		RAB4CQ390J
R	684		RS1/16SS221J	R	864		RAB4CQ390J
R	685		RS1/16SS104J	R	865		RAB4CQ390J
R	686		RS1/16SS472J	R	866		RAB4CQ390J
R	687		RS1/16SS221J	R	869		RS1/16SS390J
R	688		RS1/16SS104J	R	870		RS1/16SS101J
R	689		RS1/16SS104J	R	871		RS1/16SS101J
R	690		RS1/16SS101J	R	882		RAB4CQ390J
R	691		RS1/16SS0R0J	R	884		RS1/16SS680J
R	692		RS1/16SS221J	R	885		RS1/16SS271J
R	693		RS1/16SS221J	R	886		RS1/16SS101J
R	694		RS1/16SS104J	R	887		RS1/16SS101J
R	695		RS1/16SS471J	R	888		RS1/16SS101J
R	696		RS1/16SS103J	R	889		RS1/16SS101J
R	698		RS1/16SS473J	R	890		RAB4CQ390J
R	703		RS1/16SS221J	R	891		RS1/16SS473J
R	706 (C,D,E)		RS1/16SS6800D	R	892		RS1/16SS473J
R	708		RS1/16SS473J	R	893		XRS1/16SS821J
R	709 (C,D,E)		RS1/16SS8201D	R	894		XRS1/16SS821J
R	710 (C,D,E)		RS1/16SS8201D	R	896		RAB4CQ103J
R	711 (A,B)		RS1/16SS102J	R	899		RAB4CQ103J
R	711 (C,D,E)		RS1/16SS1001D	R	900		RS1/16SS104J
R	716		RS1/16SS103J	R	901		RS1/16SS104J
R	717		RS1/16SS101J	R	902		RS1/16SS104J
R	720		RS1/16SS0R0J	R	903		RS1/16SS104J
R	800		RS1/16SS473J	R	904		RS1/16SS105J
R	802		RS1/16SS183J	R	905		RS1/16SS102J
R	804		RS1/16SS101J	R	906		RS1/16SS2202D

	1	2	3	4
	<u>Circuit Symbol and No.</u>	<u>Part No.</u>	<u>Circuit Symbol and No.</u>	<u>Part No.</u>
	R 907	RS1/16SS5601D	R 1172	RS1/16SS102J
	R 908	RS1/16SS3301D	R 1173	RS1/16SS103J
A	R 911	RS1/16SS104J	R 1174	RAB4CQ103J
	R 912	RS1/16SS104J	R 1191	RS1/16SS472J
	R 913	RS1/16SS1R0J	R 1192	RS1/16SS473J
	R 924	RS1/16SS390J	R 1193	RS1/16SS183J
	R 925	RS1/16SS104J	R 1195	RS1/16SS222J
	R 926	RS1/16SS473J	R 1196	RS1/16SS222J
	R 929	RS1/16SS104J	R 1197	RS1/16SS220J
	R 930	RS1/16SS390J	R 1198	RS1/16SS222J
	R 931	RS1/16SS390J	R 1401	RS1/16SS4700D
	R 932	RS1/16SS390J	R 1402	RS1/16SS4700D
	R 933	RS1/16SS2402D	R 1403	RS1/16SS4700D
B	R 935	RS1/16SS103J	R 1404	RS1/16SS4700D
	R 936	RS1/16SS1802D	R 1405	RS1/16SS103J
	R 937	RS1/16SS6201D	R 1406	RS1/16SS103J
	R 938	RS1/10SR2400D	R 1409	RS1/16SS103J
	R 940	RAB4CQ200J	R 1411	RS1/16SS2200D
	R 941	RAB4CQ200J	R 1412	RS1/16SS2200D
	R 942	RAB4CQ200J	R 1413	RS1/16SS2400F
	R 943	RAB4CQ200J	R 1414	RS1/16SS2400F
	R 944	RAB4CQ200J	R 1509	RS1/16SS75R0D
	R 945	RS1/16SS200J	R 1511	RS1/16SS75R0D
	R 946	RS1/16SS200J	R 1512	RS1/16SS2200D
C	R 947	RS1/16SS200J	R 1514	RS1/16SS750J
	R 948	RS1/16SS200J	R 1517	RS1/16SS101J
	R 949	RS1/16SS200J	R 1518	RS1/16SS101J
	R 950	RS1/16SS200J	R 1519	RS1/16SS101J
	R 953	RS1/16SS101J	R 1520	RS1/16SS101J
	R 955	RS1/16SS680J	R 1521	RS1/16SS101J
	R 956	RS1/16SS101J	R 1522	RS1/16SS101J
	R 957	RS1/16SS101J	R 1526	RS1/16SS0R0J
	R 958	RS1/16SS680J	R 1527	RS1/16SS0R0J
	R 959	RS1/16SS680J	R 1528	RS1/16SS0R0J
	R 960	RS1/16SS680J	R 1529	RS1/16SS0R0J
D	R 961	RS1/16SS680J	R 1538	RS1/16SS470J
	R 962	RS1/16SS101J	R 1601	RS1/16SS103J
	R 963	RS1/16SS101J	R 1602	RS1/16SS684J
	R 964	RS1/16SS101J	R 1603	RS1/10SR0R0J
	R 1102	RS1/16SS472J	R 1604	RS1/16SS100J
	R 1104	RS1/16SS0R0J	R 1605	RS1/16SS102J
	R 1105	RS1/16SS0R0J	R 1701	RS1/16SS0R0J
	R 1107	RS1/16SS0R0J	R 1702	RS1/16SS103J
	R 1109	RS1/16SS222J	R 1723	RS1/16SS683J
	R 1110	RS1/16SS103J	R 1724	RS1/16SS683J
E	R 1111	RS1/16SS0R0J	R 1725	RS1/16SS221J
	R 1115	RS1/10SR0R0J	R 1801 (A,B)	RS1/16SS0R0J
	R 1116	RS1/10SR0R0J	R 1802 (A,B)	RS1/16SS0R0J
	R 1117	RS1/16SS820J	R 1803 (A,B)	RS1/16SS0R0J
	R 1118	RS1/16SS0R0J	R 1804 (A)	RS1/16SS103J
	R 1119	RS1/16SS820J	R 1805 (B)	RS1/16SS221J
	R 1120	RS1/16SS101J	R 1806 (B)	RS1/16SS221J
	R 1122	RS1/16SS103J	R 1807 (B)	RS1/16SS221J
	R 1123	RS1/16SS103J	R 1808 (B)	RS1/16SS221J
	R 1124	RS1/16SS0R0J	R 1809 (A)	RS1/16SS221J
F	R 1125	RS1/16SS0R0J	R 1810 (A)	RS1/16SS221J
	R 1132	RS1/16SS103J	R 1811 (A)	RS1/16SS221J
	R 1134	RS1/16SS104J	R 1812 (A)	RS1/16SS221J
	R 1135	RS1/16SS153J	R 1813 (A)	RS1/16SS0R0J
	R 1136	RS1/16SS471J	R 1814 (A)	RS1/16SS0R0J

5
Circuit Symbol and No.

6
Part No.

7
Circuit Symbol and No.

8
Part No.

R 1815 (A)	RS1/16SS0R0J	R 2205	RS1/16SS0R0J
R 1816 (A)	RS1/16SS0R0J	R 2207	RS1/16SS0R0J
R 1817 (A)	RS1/16SS221J	R 2208	RS1/16SS0R0J
R 1818 (A)	RS1/16SS0R0J	R 2209	RS1/16SS0R0J
R 1819 (A)	RS1/16SS0R0J	R 2210	RS1/16SS0R0J
R 1820 (A)	RS1/16SS0R0J	R 2211	RS1/16SS0R0J
R 1821 (B)	RS1/16SS0R0J	R 2212	RS1/16SS0R0J
R 1822	RS1/10SR0R0J	R 2214	RS1/16SS0R0J
R 1823	RS1/10SR0R0J	R 2215	RS1/16SS0R0J
R 1901	RS1/16SS0R0J	R 2217	RS1/16SS0R0J
R 1902	RS1/16SS121J	R 2219	RS1/16SS0R0J
R 1903	RS1/16SS121J	R 2220	RS1/16SS0R0J
R 1904	RS1/16SS121J	R 2221	RS1/16SS0R0J
R 1917	RS1/16SS0R0J	R 2222	RS1/16SS0R0J
R 1918	RS1/16SS106J	R 2305	RS1/16SS223J
R 1919	RS1/16SS105J	R 2306	RS1/16SS223J
R 1920	RS1/16SS103J	R 2308	RS1/16SS103J
R 1921	RS1/16SS103J	R 2309	RS1/16SS122J
R 1923	RS1/16SS103J	R 2310	RS1/16SS152J
R 1924	RS1/16SS0R0J	R 2311	RS1/16SS0R0J
R 1925	RS1/16SS0R0J	R 2359	RS1/16SS223J
R 1926	RS1/16SS0R0J	R 2360	RS1/16SS223J
R 1927	RS1/16SS103J	R 2408	RS1/16SS223J
R 1928	RS1/16SS103J	R 2410	RS1/16SS223J
R 1931	RS1/16SS0R0J	R 2414	RS1/16SS223J
R 1932	RS1/16SS103J	R 2417	RS1/16SS223J
R 1933	RS1/10SR221J	R 2420	RS1/16SS223J
R 1936	RS1/16SS121J	R 2423	RS1/16SS223J
R 1937	RS1/16SS0R0J	R 2431	RS1/16SS750J
R 1939	RS1/16SS473J	R 2451	RS1/16SS103J
R 2001	RS1/10SR0R0J	R 2452	RS1/16SS183J
R 2002	RS1/10SR0R0J	R 2453	RS1/16SS102J
R 2003	RS1/16SS0R0J	R 2454	RS1/16SS103J
R 2004	RS1/16SS0R0J	R 2455	RS1/16SS103J
R 2005	RS1/16SS0R0J	R 2554 (A)	RS1/10SR0R0J
R 2006	RS1/16SS0R0J	R 2555 (A)	RS1/10SR0R0J
R 2007	RS1/16SS0R0J	R 2556 (A)	RS1/10SR0R0J
R 2008	RS1/16SS472J	R 2557 (A)	RS1/10SR0R0J
R 2009	RS1/16SS472J	R 2558 (A)	RS1/10SR0R0J
R 2010	RS1/16SS472J	R 2559 (A)	RS1/10SR0R0J
R 2011	RS1/16SS472J	R 2560 (A)	RS1/16SS0R0J
R 2012	RS1/16SS472J	R 2561 (A)	RS1/16SS0R0J
R 2015	RS1/16SS472J	R 2562 (A)	RS1/16SS471J
R 2016	RS1/16SS472J	R 2563 (A)	RS1/16SS223J
R 2017	RS1/16SS472J	R 2564 (A)	RS1/16SS223J
R 2018	RS1/16SS472J	R 2565 (A)	RS1/16SS181J
R 2019	RS1/16SS472J	R 2566 (A)	RS1/16SS181J
R 2020	RS1/16SS472J	R 2567 (A)	RS1/10SR471J
R 2021	RS1/16SS472J	R 2568 (A)	RS1/10SR822J
R 2022	RS1/16SS472J	R 2569 (A)	RS1/16SS104J
R 2023	RS1/16SS104J	R 2571 (A)	RS1/16SS471J
R 2027	RS1/16SS472J	R 2572 (A)	RS1/16SS0R0J
R 2028	RS1/16SS472J	R 2573 (A)	RS1/16SS0R0J
R 2029	RS1/16SS472J	R 3202 (A)	RS1/16SS102J
R 2030	RS1/16SS472J	R 4011	RS1/16SS473J
R 2031	RS1/16SS472J	R 4012	RS1/16SS3301D
R 2032	RS1/16SS472J	R 4013	RS1/16SS6801D
R 2033	RS1/16SS472J	R 4014	RS1/16SS1501D
R 2034	RS1/16SS472J	R 4172 (A)	RS1/16SS101J
R 2203	RS1/16SS0R0J	R 4174 (A)	RS1/16SS103J

1		2		3		4	
<u>Circuit Symbol and No.</u>		<u>Part No.</u>		<u>Circuit Symbol and No.</u>		<u>Part No.</u>	
				C	172		CKSRYP474K16
	R 4176 (A)		RS1/16SS104J				
	R 4178 (A)		RS1/16SS102J	C	190		CKSSYB104K10
A	R 4201		RS1/16SS0R0J	C	231		CKSRYP105K16
	R 4202		RS1/16SS0R0J	C	232		CKSSYX105K10
	R 4203		RS1/16SS102J	C	271		CKSRYP105K16
				C	272		CKSRYP105K16
	R 4204		RS1/16SS222J				
	R 4205		RS1/16SS332J	C	302 (A,B)		CKSSYX105K10
	R 4206		RS1/16SS472J	C	303 (A,B)		CKSSYX105K10
	R 4207		RS1/16SS103J	C	304 (A,B)		CKSSYX105K10
	R 4208		RS1/16SS824J	C	305 (A,B)		CKSSYX105K10
				C	306 (B)		CKSSYX105K10
	R 4209		RS1/16SS563J				
	R 4210		RS1/16SS0R0J	C	307 (B)		CKSSYX105K10
	R 4211		RS1/16SS0R0J	C	308 (B)		CKSSYB104K10
B	R 4212		RS1/16SS472J	C	309		CKSSYX105K10
	R 4213		RS1/16SS102J	C	310		CKSSYX105K10
				C	312 (A,B)		CKSSYB104K10
	R 4214		RS1/16SS102J				
	R 4215		RS1/16SS0R0J	C	313 (B)		CKSSYB104K16
	R 8401		RS1/16SS0R0J	C	314 (B)		CKSRYP104K50
	R 8404		RS1/16SS103J	C	315		CKSSYB104K10
	R 8406		RS1/16SS103J	C	316 (A,B)		CKSSYB104K10
				C	317 (B)		CKSSYB104K10
	R 8407		RS1/16SS472J				
	R 8408		RS1/16SS472J	C	318		CKSSYB102K50
	R 8409		RS1/16SS101J	C	347		CKSQYX106K10
	R 8410		RS1/16SS101J	C	352		CKSSYB103K16
C	R 8412		RS1/16SS391J	C	353		CKSQYX106K10
				C	356		CKSSYB473K16
	R 8413		RS1/16SS105J				
	R 8414		RS1/16SS105J	C	357		CKSSYB103K16
	R 8421 (A)		RS1/16SS182J	C	358		CKSYX106K35
	R 8422 (A)		RS1/16SS332J	C	359		CKSSYB103K50
	R 8423 (A)		RS1/16SS121J	C	362	47 uF	CCG1256
				C	401		CKSSYB152K50
	R 8424 (A)		RS1/16SS102J				
	R 8425 (A)		RS1/16SS182J	C	402		CKSSYB223K16
	R 8426 (A)		RS1/16SS332J	C	403		CCSSCH8R0D50
	R 8427 (A)		RS1/16SS121J	C	404		CCSSCH8R0D50
D	R 8428 (A)		RS1/16SS102J	C	405		CKSSYB223K16
				C	406		CKSSYB152K50
	R 9053		RS1/16SS0R0J				
	R 9058		RS1/16SS0R0J	C	407		CKSSYB102K50
	R 9208		RS1/10SR0R0J	C	408		CKSSYB104K16
				C	409		CKSYX226M16
				C	410		CKSYX226M16
				C	413		CKSRYP473K50
	C 46		CKSRYP105K16				
	C 48		CKSSYB102K50	C	414		CKSSYB102K50
	C 50 (B,D)		CKSYX106K35	C	416		CKSSYB104K10
	C 51		CEAT472M16	C	419		CKSSYB104K16
	C 52 (B,D)		CKSYX106K35	C	420		CKSSYB103K16
				C	421		CKSSYB104K10
E	C 53 (B,D)		CKSSYB102K50				
	C 102		CKSRYP104K50	C	422		CKSSYX105K10
	C 103		CKSSYB104K10	C	425		CKSYX226M16
	C 104		CKSRYP475K6R3	C	426		CKSYX226M16
	C 111		CKSRYP105K25	C	427		CKSSYB104K16
				C	428		CKSSYB102K50
	C 112		CKSSYB104K16				
	C 114		CKSRYP104K50	C	433		CKSYX106K35
	C 115		CKSQYX475K25	C	436		CKSYX106K35
	C 140		CKSRYP474K16	C	451		CKSSYB153K16
	C 141		CKSQYX106K10	C	452		CKSSYB222K50
				C	454		CKSSYB331K50
F	C 143		CKSRYP474K16				
	C 161		CKSQYX106K10	C	455		CKSSYX105K10
	C 162		CKSQYX106K10	C	456		CKSRYP104K50
	C 171		CKSRYP474K16	C	457		CKSYX226M16
				C	458		CKSRYP225K10

5		6		7		8	
<u>Circuit Symbol and No.</u>		<u>Part No.</u>		<u>Circuit Symbol and No.</u>		<u>Part No.</u>	
C	459		CEVW101M16	C	918		CKSSYB104K10
C	460		CKSRYB224K16	C	919		CKSSYB104K10
C	461		CEVW470M16	C	920		CKSSYB104K10
C	462		CKSYX106K35	C	921		CKSSYB104K10
C	465		CKSSYX105K10	C	922		CKSSYB104K10
C	502		CKSQYX106K10	C	923		CKSSYB104K10
C	503		CCSSCH220J50	C	924		CKSSYB104K10
C	504		CKSQYX106K10	C	925		CKSSYB104K10
C	505		CKSSYB103K16	C	926		CKSSYB104K10
C	601	(B)	CKSSYB104K10	C	927		CKSSYB104K10
C	602		CCSSCH100D50	C	928		CKSSYB104K10
C	603		CCSSCH120J50	C	929		CKSSYB104K10
C	604		CKSSYX105K10	C	930		CKSSYB104K10
C	605		CKSSYB104K10	C	931		CCSSCH100D50
C	606		CKSSYX105K10	C	932		CKSSYB104K10
C	607		CKSSYB104K10	C	933		CKSSYX105K10
C	608		CKSSYB104K10	C	940		CKSSYX105K10
C	609		CKSSYB104K10	C	941		CKSSYB103K16
C	610		CKSSYB104K10	C	942		CKSSYB102K50
C	611		CKSSYX105K10	C	943		CKSSYB104K10
C	615		CKSSYB104K10	C	944		CKSSYB104K10
C	616		CKSSYX105K10	C	945		CKSSYB104K10
C	620		CKSSYB104K10	C	946		CKSSYB104K10
C	621		CKSSYB103K16	C	947		CKSSYB104K10
C	622		CCSSCH102J50	C	948		CKSSYB104K10
C	623		CKSSYB104K10	C	949		CKSSYB104K10
C	624		CKSSYX105K10	C	1102		CKSSYX105K10
C	625		CKSSYB104K10	C	1104		CKSSYX474K6R3
C	626		CKSSYB104K10	C	1105		CKSQYX106K10
C	627		CKSSYB104K10	C	1106		CKSQYX106K10
C	630		CKSQYX226M6R3	C	1107		CKSSYB104K10
C	632		CKSSYB104K10	C	1108		CKSSYB104K10
C	635		CCSSCH471J50	C	1109		CKSRYX225K10
C	801		CKSQYX106K10	C	1131		CKSQYX106K10
C	803		CKSQYX106K10	C	1191		CKSSYB104K10
C	807		CKSSYB104K10	C	1192		CKSSYB104K10
C	810		CKSQYX106K10	C	1193		CKSSYB103K16
C	811		CKSSYB104K10	C	1302		CKSSYB104K10
C	817		CKSSYB104K10	C	1321		CKSSYB104K10
C	818		CKSSYX105K10	C	1342		CKSSYB104K10
C	840		CCSSCH120J50	C	1352		CKSRYX225K10
C	841		CCSSCH100D50	C	1353		CKSQYX106K10
C	860		CKSSYX105K10	C	1401		CKSRYX106M6R3
C	901		CKSSYB104K10	C	1402		CKSRYX106M6R3
C	902		CKSSYB104K10	C	1403		CKSRYX106M6R3
C	903		CKSSYB104K10	C	1404		CKSRYX106M6R3
C	904		CKSSYB104K10	C	1405		CKSSYB104K10
C	905		CKSSYB104K10	C	1406		CKSSYB104K10
C	906		CKSSYB104K10	C	1407		CKSSYB104K10
C	907		CKSSYB104K10	C	1408		CKSSYB104K10
C	908		CKSSYB104K10	C	1409		CKSSYB104K10
C	909		CKSSYB104K10	C	1410		CKSSYB104K10
C	910		CKSSYB104K10	C	1411		CKSSYB104K10
C	911		CKSSYB104K10	C	1412		CKSSYB104K10
C	912		CKSSYB104K10	C	1413		CKSSYB104K10
C	913		CKSSYB104K10	C	1414		CKSSYB104K10
C	914		CKSSYB104K10	C	1415		CKSSYB104K10
C	915		CKSSYB104K10	C	1416		CKSSYB104K10
C	916		CKSSYB104K10	C	1417		CKSSYB104K10
C	917		CKSSYB104K10	C	1418		CKSSYB104K10

	1	2	3	4
	<u>Circuit Symbol and No.</u>	<u>Part No.</u>	<u>Circuit Symbol and No.</u>	<u>Part No.</u>
	C 1419	CKSSYB104K10	C 1907	CKSSYB104K10
	C 1420	CKSSYB104K10	C 1910	CKSQYX106K10
A	C 1421	CKSSYB104K10	C 1913	CKSSYX105K6R3
	C 1422	CKSSYB104K10	C 1914	CKSQYX476M6R3
	C 1423	CKSSYB104K10	C 1915	CKSQYX476M6R3
	C 1424	CKSSYB104K10	C 2001	CKSSYX105K10
	C 1425	CKSSYB104K10	C 2003	CKSSYX105K10
	C 1426	CKSSYB104K10	C 2005	CKSSYX104K50
	C 1427	CKSSYB104K10	C 2006	CKSSYX104K50
	C 1428	CKSSYB104K10	C 2007	CKSSYX104K50
	C 1431	CKSSYB104K10	C 2008	CKSSYX104K50
	C 1501	CKSSYX105K10	C 2009	CKSSYX104K50
	C 1502	CKSSYX105K10	C 2010	CKSSYX104K50
B	C 1503	CKSSYX105K10	C 2011	CKSSYX104K50
	C 1504	CKSSYX105K10	C 2012	CKSSYX104K50
	C 1507	CKSSYB104K10	C 2013	CKSSYX105K10
	C 1508	CKSSYB104K10	C 2014	CKSSYX105K10
	C 1510	CKSSYB104K10	C 2202	CKSQYX106K10
	C 1512	CKSSYB104K10	C 2203	CEVW101M16
	C 1516	CKSSYB104K10	C 2303	CKSSYB102K50
	C 1517	CKSSYB104K10	C 2304	CKSSYB471K50
	C 1519	CKSSYB104K10	C 2305	CKSRyx225K10
	C 1521	CKSSYB104K10	C 2306	CKSSYB102K50
	C 1523	CKSSYB104K10	C 2307	CKSSYB102K50
C	C 1524	CKSQYX106K10	C 2308	CCSSCH101J50
	C 1525	CKSSYB104K10	C 2309	CKSSYB102K50
	C 1529	CKSQYX106K10	C 2310	CKSSYB102K50
	C 1530	CKSQYX106K10	C 2311	CKSSYB102K50
	C 1532	CCSSCH181J50	C 2312	1000 pF CCG1345
	C 1601	CKSRyx105K25	C 2313	1000 pF(B,C) CCG1345
	C 1602	CKSRyx105K25	C 2314	1000 pF(B,C) CCG1345
	C 1603	CKSRyx105K25	C 2351	CKSSYB472K50
	C 1604	CKSRyx105K25	C 2352	CKSRyx105K16
	C 1605	CKSRyx105K25	C 2354	CKSSYB103K25
	C 1606	CKSRyx105K25	C 2355	CKSRyx225K10
D	C 1607	CKSRyx105K25	C 2358	CCSSCH101J50
	C 1608	CKSRyx105K25	C 2359	CKSSYB102K50
	C 1609	CKSRyx105K25	C 2360	CKSSYB102K50
	C 1610	CKSRyx105K25	C 2361	CKSSYB102K50
	C 1612	CKSRyx105K25	C 2401	CKSSYB102K50
	C 1613	CKSRyx105K25	C 2402	CKSSYB102K50
	C 1721	CKSSYB104K10	C 2403	CKSSYB102K50
	C 1722	CKSQYX475K10	C 2404	CKSSYB102K50
	C 1801 (B)	CKSSYB104K10	C 2405	CKSSYB102K50
	C 1803 (A,B)	CKSQYX106K10	C 2406	CKSSYB102K50
E	C 1804 (A,B)	CKSSYB104K10	C 2407	CKSQYX475K10
	C 1805 (A,B)	CKSQYX106K10	C 2408	CKSQYX475K10
	C 1806 (A,B)	CKSSYB104K10	C 2409	CKSQYX475K10
	C 1808 (A,B)	CKSSYB104K10	C 2410	CKSQYX475K10
	C 1809 (B)	CCSSCH101J50	C 2411	CKSQYX475K10
	C 1810 (B)	CCSSCH101J50	C 2412	CKSQYX475K10
	C 1811 (B)	CCSSCH101J50	C 2414	CKSRyx225K16
	C 1812 (B)	CCSSCH101J50	C 2431	CKSSYB221K50
	C 1820 1000 pF(A,B,D,E)	CCG1345	C 2432	CKSSYB102K50
	C 1901	CCSSCH100D50	C 2451	CKSQYX106K10
	C 1902	CCSSCH120J50	C 2452	CKSSYB104K10
F	C 1903	CKSSYB104K10	C 2555 (A)	CKSSYB104K10
	C 1904	CKSRyx106M6R3	C 2556 (A)	CKSSYB104K10
	C 1905	CKSRyx106M6R3	C 2557 (A)	CKSRyx104K50
	C 1906	CKSSYB104K10	C 4011	CKSQYB334K50

5		6		7		8	
<u>Circuit Symbol and No.</u>		<u>Part No.</u>		<u>Circuit Symbol and No.</u>		<u>Part No.</u>	
C	4014		CEVW220M16	C	9034		CKSSYB472K50
C	4081		CKSSYB102K50	C	9035		CKSSYB103K16
C	4082		CKSSYB102K50	C	9036		CKSSYB103K16
C	4101		CKSSYB102K50	C	9038		CKSSYB104K10
C	4102		CKSSYB102K50	C	9039		CCSSCH151J50
C	4172 (A)		CKSSYB104K10	C	9040		CCSSCH151J50
C	4174 (A)		CKSSYB104K10	C	9041 1 uF		CCG1325
C	4202		CKSRYX106M6R3	C	9043		CKSSYB102K50
C	4203		CKSSYB104K10	C	9044		CKSSYB104K50
C	4204		CKSSYX105K10	C	9201 0.68 uF		CCE1071
C	4205		CKSSYB104K10	C	9202		CKSRYX105K16
C	4206		CCSSCH101J50	C	9203		CKSRYX105K16
C	4207		CKSRYB224K16	C	9204 0.68 uF		CCE1071
C	4208		CKSSYX105K10	C	9206 10 uF/25 V		CCH2108
C	4209		CCSSCH6R0D50	C	9207 2.2 uF		CCG1322
C	4210		CCSSCH220J50	C	9208 2.2 uF		CCG1322
C	4211		CKSSYB104K10	C	9209 4700 uF/16 V		CCH2085
C	4212		CKSQYX226M6R3	C	9210 0.1 uF/50 V		CCG1425
C	4214		CCSSCH6R0D50	C	9212		CKSRYX104K50
C	4215		CKSSYB102K50	C	9213		CKSSYB102K50
C	8401		CKSSYB104K16	C	9214		CKSSYB102K50
C	8402		CKSSYB104K16	C	9215		CKSSYB102K50
C	8403		CKSQYX106K10	C	9216		CKSSYB102K50
C	8404		CKSQYX106K10	C	9217		CKSSYB102K50
C	8405		CKSSYB104K16	C	9218		CKSSYB102K50
C	8406		CKSRYX106M6R3	C	9219		CKSSYB102K50
C	8407		CKSSYB224K6R3	C	9220		CKSSYB102K50
C	8408		CKSSYB102K50	C	9223		CKSSYX105K10
C	8409		CKSSYB104K16	C	9224		CKSSYX105K10
C	8410		CKSRYX106M6R3	C	9225		CKSSYX105K10
C	8411		CCSSCH220J50	C	9226		CKSSYX105K10
C	8412		CCSSCH331J50	C	9228 0.1 uF		CCG1321
C	8415		CKSSYB104K16	C	9230		CKSSYX105K10
C	8416		CKSRYX106M6R3				
C	8418		CCSSCH102J50				
C	8419		CCSSCH471J50				
C	8423		CKSSYB152K50				
C	8427		CCSSCH100D50				
C	9002 (A)		CKSSYX105K10				
C	9003 (A)		CKSSYX105K10				
C	9004		CKSSYX105K10				
C	9005		CKSSYX105K10				
C	9006		CKSSYX105K10				
C	9007		CKSSYX105K10				
C	9015		CKSSYX105K10				
C	9016		CKSSYX105K10				
C	9017		CKSSYX105K10				
C	9018 (A)		CKSSYX105K10				
C	9019 (A)		CKSSYX105K10				
C	9020		CKSSYB104K16				
C	9021 100 uF/16 V		CCH1962				
C	9022		CKSSYB104K16				
C	9023		CEVW470M16				
C	9024		CEVW470M16				
C	9025		CKSSYB104K10				
C	9026 10 uF		CCG1332				
C	9027		CKSSYB104K10				
C	9029		CEVW470M16				
C	9032		CKSSYB104K16				
C	9033		CKSSYB104K16				

B

Unit Number : CXY2610 (A, D, E)
Unit Number : CXY2611 (B)
Unit Number : CXY2612 (C)
Unit Name : Service Unit (Monitor)

MISCELLANEOUS

IC	5001	Regulator IC	MM3479A33P
IC	5101	Display IC	OZ527ILN
IC	5201	Interface IC	CXD4934GG
IC	5202	Regulator IC	MM3411A18N
IC	5203	Regulator IC	MM3411A12N
IC	5401	IC	ATMXT641TD-AT
Q	5001	Bipolar TR	HN1C01FUS1
Q	5002	Bipolar TR	HN1C01FUS1
Q	5003	Bipolar TR	HN1C01FUS1
Q	5004	Bipolar TR	HN1C01FUS1
Q	5005	Bipolar TR	HN1C01FUS1
Q	5006	Bipolar TR	HN1C01FUS1
D	5007	Diode	EZAEG2A50AX
D	5008	Diode	EZAEG2A50AX
D	5101	Schottky Diode	RB162MM-40TF
L	5101	SMD SPL Inductor	CTH1558

1

2

3

4

Circuit Symbol and No.**Part No.****Circuit Symbol and No.****Part No.**

L 5102 SMD Ferrite Beads(B)
 L 5203 Inductor
 L 5204 Inductor
 L 5209 SMD Ferrite Beads
 A CN 5001 FFC/FPC Connector
 CN 5002 Connector
 CN 5003 FFC/FPC Connector
 CN 5301 FFC/FPC Connector
 CN 5401 FFC/FPC Connector

CTF1869
 CTF1778
 CTF1778
 CTF1869
 CKS6889
 CKS5560
 CKS6757
 CKS6890
 CKS6645

R 5107
 R 5109
 R 5110
 R 5111
 R 5112
 R 5113
 R 5114
 R 5115
 R 5117
 R 5201
 R 5203

RS1/16SS102J
 RS1/16SS563J
 RS1/16SS104J
 RS1/16SS101J
 RS1/16SS102J
 XRS1/16SS1802D
 XRS1/16SS1000D
 XRS1/16SS1003D
 XRS1/16SS8201D
 XRS1/16SS472J
 XRS1/16SS472J

RESISTORS

R 5002
 R 5003
 R 5005
 B R 5006
 R 5008

RS1/16SS1200D
 RS1/16SS56R0D
 RS1/16SS68R0D
 RS1/16SS68R0D
 RS1/16SS68R0D

R 5204
 R 5210
 R 5211
 R 5212
 R 5213

XRS1/16SS472J
 XRS1/16SS472J
 XRS1/16SS472J
 XRS1/16SS472J
 XRS1/16SS472J

R 5009
 R 5011
 R 5012
 R 5013
 R 5014

RS1/16SS68R0D
 RS1/16SS392J
 RS1/16SS332J
 RS1/16SS332J
 RS1/16SS392J

R 5221
 R 5222
 R 5223
 R 5224
 R 5225

XRS1/16SS472J
 XRS1/16SS472J
 RS1/10SR0R0J
 RS1/10SR0R0J
 XRS1/16SS472J

R 5015
 R 5016
 R 5017
 R 5018
 C R 5019

RS1/16SS1200D
 RS1/16SS56R0D
 RS1/16SS332J
 RS1/16SS68R0D
 RS1/16SS68R0D

R 5226
 R 5227
 R 5228
 R 5231
 R 5232

XRS1/16SS472J
 XRS1/16SS472J
 XRS1/16SS472J
 XRS1/16SS472J
 RS1/16SS104J

R 5020
 R 5021
 R 5022
 R 5023
 R 5024

RS1/16SS332J
 RS1/16SS68R0D
 RS1/16SS68R0D
 RS1/16SS1200D
 RS1/16SS56R0D

R 5233
 R 5234
 R 5235
 R 5236
 R 5303

XRS1/16SS472J
 XRS1/16SS472J
 RS1/10SR0R0J
 RS1/10SR0R0J
 XRS1/16SS302J

R 5026
 R 5027
 R 5029
 R 5030
 R 5032
 D

RS1/16SS68R0D
 RS1/16SS68R0D
 RS1/16SS68R0D
 RS1/16SS68R0D
 RS1/16SS392J

R 5304
 R 5306
 R 5401
 R 5402
 R 5403

XRS1/16SS302J
 XRS1/16SS302J
 RS1/16SS0R0J
 RS1/16SS0R0J
 RS1/16SS0R0J

R 5033
 R 5034
 R 5035
 R 5036
 R 5037

RS1/16SS332J
 RS1/16SS332J
 RS1/16SS392J
 RS1/16SS1200D
 RS1/16SS56R0D

R 5404
 R 5405
 R 5406
 R 5407
 R 5408

RS1/16SS0R0J
 RS1/16SS0R0J
 RS1/16SS0R0J
 RS1/16SS0R0J
 RS1/16SS0R0J

R 5038
 R 5039
 R 5040
 R 5041
 R 5042

RS1/16SS332J
 RS1/16SS68R0D
 RS1/16SS68R0D
 RS1/16SS332J
 RS1/16SS68R0D

R 5409
 R 5410
 R 5411
 R 5412
 R 5413

RS1/16SS0R0J
 RS1/16SS0R0J
 RS1/16SS0R0J
 RS1/16SS0R0J
 RS1/16SS0R0J

E R 5043
 R 5045
 R 5048
 R 5049
 R 5054

RS1/16SS68R0D
 RS1/16SS433J
 RS1/16SS182J
 RS1/16SS0R0J
 RS1/10SR0R0J

R 5414
 R 5415
 R 5416
 R 5417
 R 5418

RS1/16SS0R0J
 RS1/16SS0R0J
 RS1/16SS0R0J
 RS1/16SS0R0J
 RS1/16SS0R0J

R 5055
 R 5081
 R 5082 (B,C)
 R 5083 (B,C)
 R 5101

RS1/10SR0R0J
 RS1/10SR0R0J
 RS1/10SR0R0J
 RS1/10SR0R0J
 RS1/16SS104J

R 5419
 R 5420
 R 5421
 R 5422
 R 5423

RS1/16SS0R0J
 RS1/16SS0R0J
 RS1/16SS0R0J
 RS1/16SS0R0J
 RS1/16SS0R0J

F R 5102
 R 5103 (A,C,D,E)
 R 5105
 R 5106

RS1/8SQ2R2J
 RS1/4S0R0J
 RS1/16SS104J
 RS1/16SS104J

R 5424
 R 5425
 R 5426
 R 5427

RS1/16SS0R0J
 RS1/16SS0R0J
 RS1/16SS0R0J
 RS1/16SS0R0J

1

2

3

4

5
Circuit Symbol and No.

6
Part No.

7
Circuit Symbol and No.

8
Part No.

R	5428	RS1/16SS0R0J
R	5429	RS1/16SS0R0J
R	5430	RS1/16SS0R0J
R	5431	RS1/16SS0R0J
R	5432	RS1/16SS0R0J
R	5433	RS1/16SS0R0J
R	5434	RS1/16SS0R0J
R	5435	RS1/16SS103J
R	5436	RS1/16SS103J
R	5437	RS1/16SS103J
R	5438	RS1/16SS103J
R	5439	RS1/16SS0R0J
R	5440	RS1/16SS0R0J
R	5441	RS1/16SS0R0J
R	5442	RS1/16SS121J
R	5443	RS1/16SS121J
R	5444	RS1/16SS0R0J
R	5453	RS1/16SS0R0J
R	5454	RS1/16SS0R0J
R	5455	RS1/16SS0R0J
R	5456	RS1/16SS0R0J
R	5457	RS1/16SS0R0J
R	5458	RS1/16SS0R0J
R	5459	RS1/16SS0R0J
R	5460	RS1/16SS0R0J
R	5461	RS1/16SS0R0J
R	5462	RS1/16SS0R0J

C	5220	CKSSYB104K10
C	5221	CKSSYX105K10
C	5222	CKSSYB104K10
C	5223	CKSSYX105K10
C	5225	CKSSYX105K10
C	5226	CKSSYX105K10
C	5227	CKSSYX105K10
C	5229	CKSSYX105K10
C	5235	CKSSYB104K10
C	5243	CKSSYB104K10
C	5244	CKSSYX105K10
C	5245	CKSSYX105K10
C	5301	CKSSYB102K50
C	5302	CKSSYB104K10
C	5303	CKSQYX106K10
C	5305	CKSSYB102K50
C	5401	CKSSYB223K16
C	5402	CKSSYB223K16
C	5403	CKSSYX105K10
C	5404	CKSSYB223K16
C	5405	CKSSYB223K16
C	5406	CKSSYB103K25
C	5407	CKSSBYX225M10
C	5408	CKSSBYX225M10
C	5409	CKSSYB223K16
C	5410	CKSSYB223K16
C	5411	CKSSYB223K16
C	5412	CKSSYB223K16

CAPACITORS

C	5001	CKSSYB104K10
C	5002	CKSRYX475K16
C	5003	CKSRYX105K16
C	5006	CKSSYX104K50
C	5008	CKSRYX105K16
C	5010	CKSSYB104K10
C	5011	CKSSYB104K10
C	5101	CKSSYB332K50
C	5103	CKSQYX106K16
C	5106	CKSSYX105K16
C	5107	CKSSYX105K16
C	5108	CKSSYB104K16
C	5109	CKSSYX105K10
C	5110	CCSSCH101J50
C	5111 (B)	CCSSCH471J50
C	5112	CKSYX106K35
C	5114	CKSRYB224K16
C	5117 (B)	CCSSCH471J50
C	5201	CKSSYX105K10
C	5202	CKSSYX105K10
C	5203	CCSSCH181J50
C	5204	CCSSCH181J50
C	5205	CKSSYB104K10
C	5207	CKSSYB104K10
C	5208	CKSSYB104K10
C	5209	CKSSYB104K10
C	5212	CKSRYX474K16
C	5216	CKSRYX474K16
C	5218	CKSRYX474K16
C	5219	CKSRYX474K16

D

Unit Number : CXY2622
Unit Name : Service Unit (KEYILM)

MISCELLANEOUS

IC	6051	IR RC REC Module	SIR8440B5
D	6051	LED	NSSM124-6717
D	6052	LED	NSSM124-6717
D	6053	LED	NSSM124-6717
D	6054	LED	NSSM124-6717
CN	6051	FFC/FPC Connector	CKS6757

RESISTORS

R	6051	RS1/16SS150J
R	6052	RS1/16SS390J
R	6053	RS1/16SS620J
R	6054	RS1/16SS150J
R	6055	RS1/16SS390J
R	6056	RS1/16SS620J
R	6057	RS1/16SS150J
R	6058	RS1/16SS390J
R	6059	RS1/16SS620J
R	6060	RS1/16SS150J
R	6061	RS1/16SS390J
R	6062	RS1/16SS620J
R	6064	RS1/16SS101J

Circuit Symbol and No.

Part No.

CAPACITORS

C 6064
C 6065

CKSSYX104K50
CKSRAYX106M10

A

B

C

D

E

F