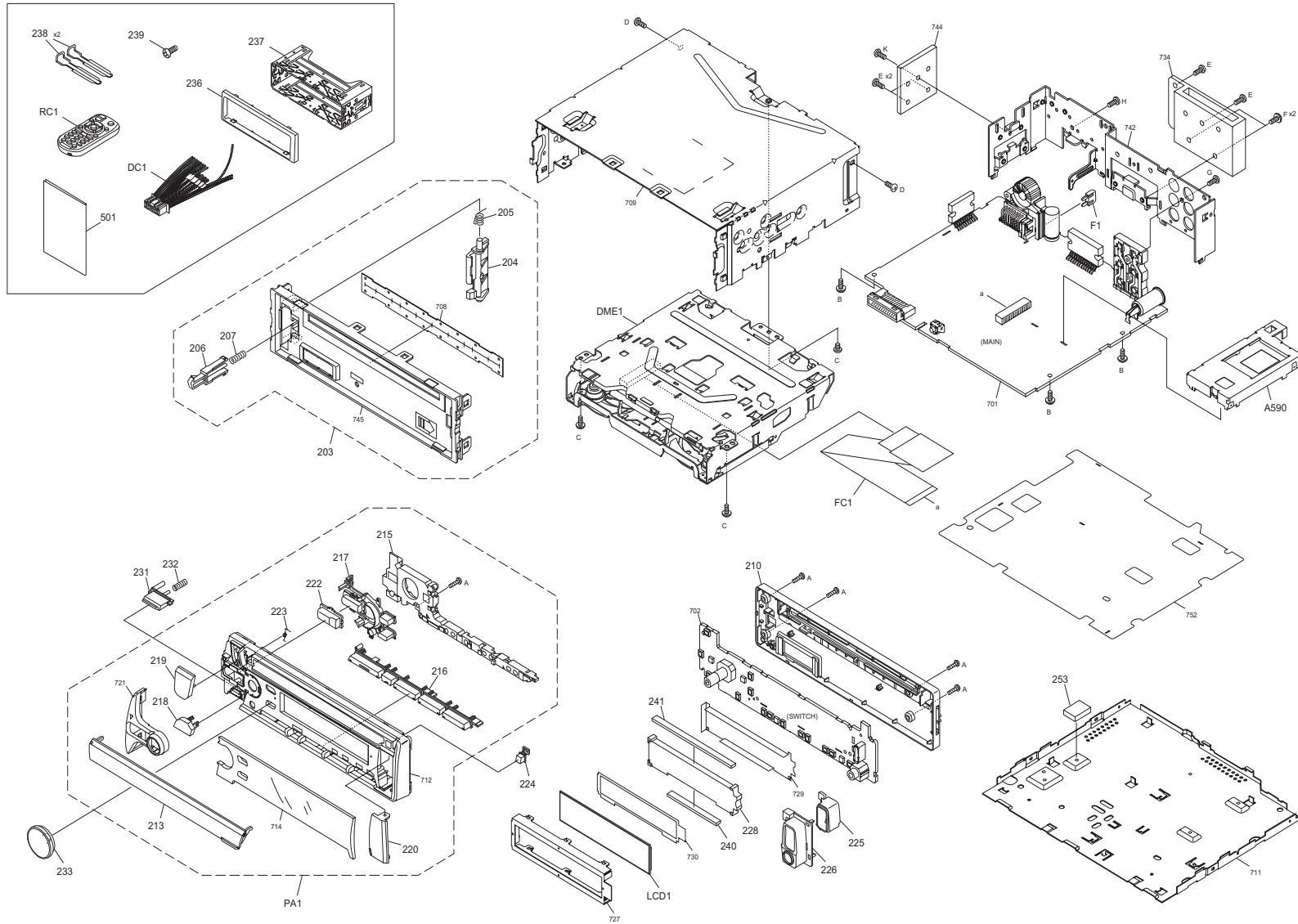


EXPLODED VIEW (UNIT)

Block No.200



Parts with the exploded numbers larger than 700 are not supplied.

created date:2014-03-06

No.WA110

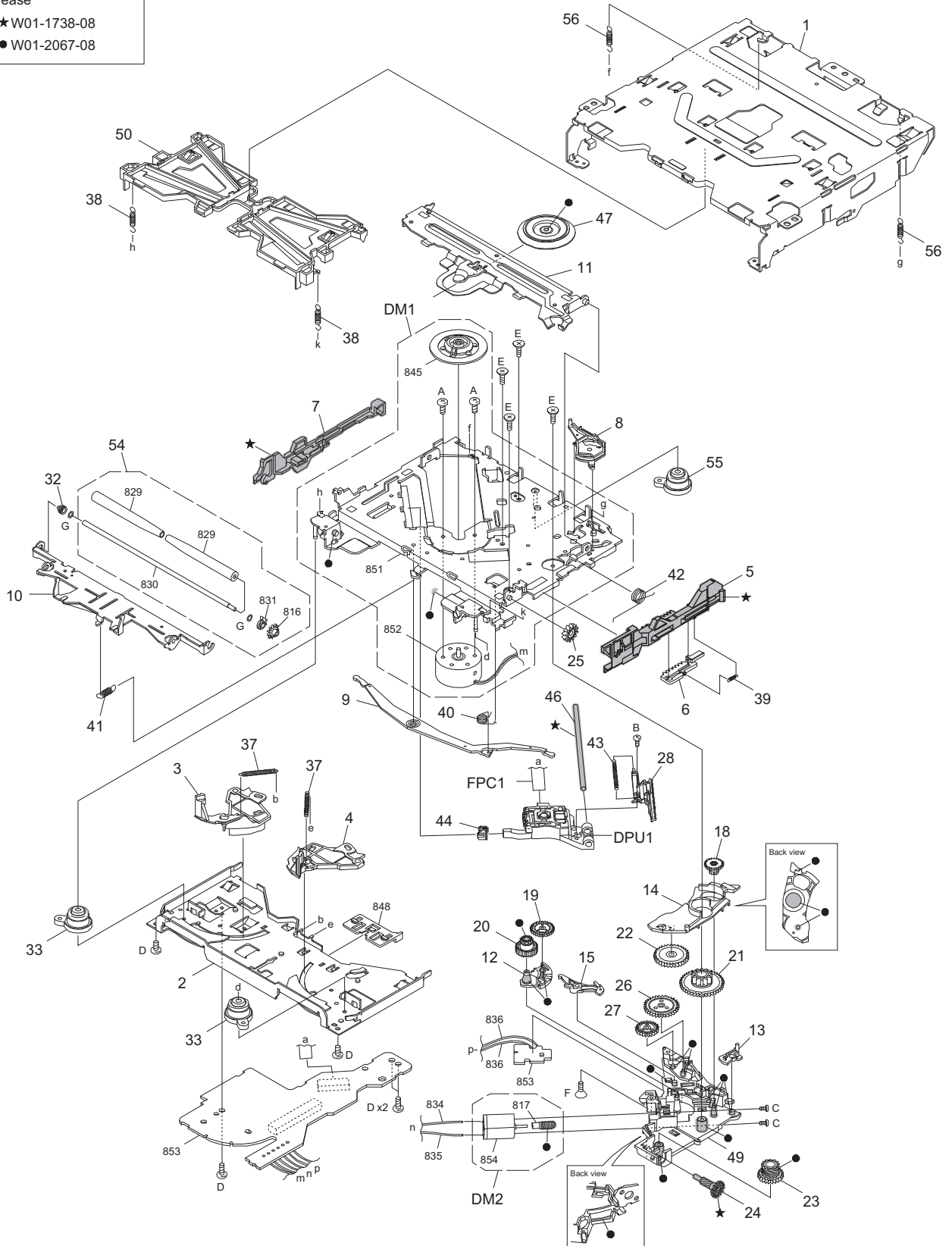
MODEL	MARK	MODEL	MARK
KDC-HD458U	K1	KDC-X498	K0

Safe	Symbol No.	Parts No.	Parts Name	Description	QTY	Local
<b>EXPLODED VIEW (UNIT) &lt;200&gt;</b>						
	A590	X86-4340-10	TUNER UNIT		1	
	DC1	QAM1341-001	DC CORD		1	
	DME1	X92-6820-00	MECHANISM ASSY		1	
△	F1	QMFZ064-100-J1	FUSE	10A	1	
	FC1	WJT0341-001A-E	E-CARD WIRE		1	
	LCD1	QLD0727-001	LCD MODULE		1	
	PA1	GE20354-006A	FRONT PANEL ASSY		1	K1
	PA1	GE20354-005A	FRONT PANEL ASSY		1	K0
	RC1	QAL1303-004	REMOTE CONTROL UNIT		1	
	A	QYSDSF2008ZA	TAP SCREW	M2 x 8mm	5	
	B	GE40377-002A	SCREW		3	
	C	QYSDST2604ZA	TAP SCREW	M2.6 x 4mm	3	
	D	QYSDST2606ZA	TAP SCREW	M2.6 x 6mm	2	
	E	QYSDST2610ZA	TAP SCREW	M2.6 x 10mm	4	
	F	GE40377-005A	SPECIAL SCREW		2	
	G	QYSDSF2608ZA	TAP SCREW	M2.6 x 8mm	1	
	H	QYSDSG3006ZA	TAP SCREW	M3 x 6mm	1	
	K	QYSDST2608ZA	TAP SCREW	M2.6 x 8mm	1	
	203	GE35691-001A	F.CHASSIS ASSY		1	
	204	GE35686-001A	LOCK LEVER		1	
	205	GE40504-001A	SPRING		1	
	206	GE35687-001A	RELEASE LEVER		1	
	207	GE40505-001A	SPRING		1	
	210	GE10387-001A	REAR COVER		1	
	213	GE20355-006A	CD COVER		1	K1
	213	GE20355-005A	CD COVER		1	K0
	215	GE10388-001A	LIGHT GUIDE		1	
	216	GE20346-001A	PRESET BUTTON		1	
	217	GE20347-001A	VOL LENS		1	
	218	GE35681-001A	SRC BUTTON		1	
	219	GE35682-001A	SEARCH BUTTON		1	
	220	GE35671-001A	USB DOOR		1	
	222	GE35674-003A	ACC BTN TOP		1	
	223	G01-4823-04	TOR.COIL SPRING		1	
	224	GE35669-001A	EJECT BUTTON		1	
	225	GE35672-001A	USB LIGHT LENS		1	
	226	GE35673-001A	USB HOLDER		1	
	228	GE35679-001A	LCD LENS		1	
	231	GE35677-001A	DETACH BUTTON		1	
	232	GE40505-003A	SPRING		1	
	233	GE40678-003A	VOL KNOB ASSY		1	K1
	233	GE40678-002A	VOL KNOB ASSY		1	K0
	236	GE20352-001A	TRIM PLATE		1	K1
	236	GE20351-001A	TRIM PLATE		1	K0
	237	GE34826-002A	M.SLEEVE ASSY		1	
	238	GE40578-002A	HOOK		2	
	239	QYSPSF2008ZA	TAP SCREW	M2 x 8mm	1	
	240	QNZ1115-001	RUBBER CONNE		1	
	241	QNZ1116-001	RUBBER CONNE		1	
	253	GE40694-002A	COOLING RUBBER		1	
	501	GET0970-001A	INST MANUAL	ENG FRE SPA	1	

# EXPLODED VIEW (CD MECHANISM: X92-6820-00)

Block No.130

Grease  
 ★W01-1738-08  
 ●W01-2067-08



Parts with the exploded numbers larger than 800 are not supplied.

MODEL	MARK	MODEL	MARK
KDC-HD458U	K1	KDC-X498	K0

Safe	Symbol No.	Parts No.	Parts Name	Description	QTY	Local
------	------------	-----------	------------	-------------	-----	-------

EXPLODED VIEW (CD MECHANISM: X92-6820-00) <130>

	DM1	X94-2230-00	MD CHASSIS ASSY		1	
	DM2	X94-2240-00	LOADING MOTOR ASSY		1	
△	DPU1	QAL1521-001	PICK UP		1	
	FPC1	QAL1465-001	FPC		1	
A		LV45568-001A	MINI SCREW		2	
B		QYSPSGT1745ZA	TAP SCREW	M1.7 x 4.5mm	1	
C		QYSPSPT2025MA	SCREW	M2 x 2.5mm	2	
D		N09-6108-15	MINI SCREW		5	
E		N09-6738-15	G.HOLDER SCREW		4	
F		N09-6921-05	M. SHAFT SCREW		1	
G		N19-2356-04	FLAT WASHER		2	
1		A10-5625-21	OUTER CHASSIS		1	
2		A10-5626-01	LOWER CHASSIS		1	
3		D10-7174-03	DISC ARM L		1	
4		D10-7175-03	DISC ARM R		1	
5		D10-7177-02	SLIDER R		1	
6		D10-7178-03	TRIGGER SLIDER		1	
7		D10-7179-02	SLIDER L		1	
8		D10-7180-03	TRIGGER ARM		1	
9		D10-7181-13	JOINT LEVER		1	
10		D10-7182-12	ROLLER LEVER		1	
11		D10-7183-02	CLAMP ARM		1	
12		D10-7184-03	TRANSFER ARM		1	
13		D10-7185-04	SL LOCK CAM		1	
14		D10-7186-03	SL LOCK ARM		1	
15		D10-7187-13	PICK LOCK ARM		1	
18		D13-3104-04	HELICAL GEAR 1		1	
19		D13-3105-04	TRANSFER GEAR		1	
20		D13-3106-04	LOAD GEAR H		1	
21		D13-3107-04	DRIVE GEAR		1	
22		D13-3108-04	JOINT GEAR		1	
23		D13-3109-04	WORM GEAR 2		1	
24		D13-3110-04	HELICAL GEAR 2		1	
25		D13-3111-04	LOAD GEAR V		1	
26		D13-3112-04	PICK GEAR 1		1	
27		D13-3113-04	PICK GEAR 2		1	
28		D13-3114-03	RACK GEAR		1	
32		D23-0974-14	R.RETAINER L		1	
33		D39-0403-05	DAMPER F		2	
37		G01-4810-04	DISC ARM SPRING		2	
38		G01-4829-04	FLOAT SPRING(F)		2	
39		G01-4813-04	TRIGGER SPRING		1	
40		G01-4814-04	LOAD SPRING		1	
41		G01-4815-04	ROLLER SPRING		1	
42		G01-4816-04	CLAMP SPRING		1	
43		G01-4817-04	PICK SPRING		1	
44		LV36813-501A	SUB GUIDE CAP		1	
46		LV44555-001A	MAIN SHAFT		1	
47		J11-0692-03	CLAMPER		1	
49		J19-7360-21	GEAR HOLDER		1	
50		J90-1209-21	DISC GUIDE		1	
54		X94-2250-00	ROLLER ASSY		1	
55		D39-0404-05	DAMPER R		1	
56		G01-4812-04	FLOAT SPRING(R)		2	

MODEL	MARK	MODEL	MARK
KDC-HD458U	K1	KDC-X498	K0

Safe	Symbol No.	Parts No.	Parts Name	Description	QTY	Local
<b>ELECTRIC UNIT (X34-7700-1x) &lt;X34&gt;</b>						
		IC80	MFI337S3959-X	IC	1	
		IC161	TDA7720B-X	IC	1	
△		IC301	JCV8031	IC	1	
		IC530	BU33TD3WG-W	IC	1	
△		IC540	MN6627553APA	IC	1	
△		IC701	R5S726A0D216FP	IC	1	
		IC710	BR24T256FJ-W-X	IC	1	
		IC720	BU4228F-W	IC	1	
△		IC840	W10-0892-08	IC	1	
△		IC901	LV5684NPVD	IC	1	
		IC904	MM1663DH-X	IC	1	
		IC905	MM1663DH-X	IC	1	
		IC906	TC7WBL126AFK-X	IC(DIGITAL)	1	
		IC943	BU1CTD3WG-W	IC	1	
		IC981	BD9876AEFJ-X	IC	1	
		IC982	NCP380HSNAJAA	IC(MOS-IC)	1	
		Q250	LTC043TEB-X	DIGI TRANSISTOR	1	
		Q320	LTC043TEB-X	DIGI TRANSISTOR	1	
		Q321	LTC043TEB-X	DIGI TRANSISTOR	1	
		Q330	LTC043TEB-X	DIGI TRANSISTOR	1	
		Q331	LTC043TEB-X	DIGI TRANSISTOR	1	
		Q540	2SA2188/F-X	TRANSISTOR	1	
		Q780	LTA024EUB-X	DIGI TRANSISTOR	1	
		Q781	LTC024EUB-X	DIGI TRANSISTOR	1	
		Q782	LTA024EUB-X	DIGI TRANSISTOR	1	
		Q912	LTA014EUB-X	DIGI TRANSISTOR	1	
		Q920	RSQ030P03-W	MOS FET	1	
		Q921	LTC044EUB-X	DIGI TRANSISTOR	1	
		Q940	DSA2001/R-X	TRANSISTOR	1	
		Q941	LTC024EUB-X	DIGI TRANSISTOR	1	
		Q970	LSCR523UB-X	TRANSISTOR	1	
		Q971	LSCR523UB-X	TRANSISTOR	1	
		Q972	LSCR523UB-X	TRANSISTOR	1	
		D2	NAF0029-002X	ESD SUPPRESSOR	1	
		D100	NAF0029-002X	ESD SUPPRESSOR	1	
		D101	NAF0029-002X	ESD SUPPRESSOR	1	
		D302	DA2J101-X	SI DIODE	1	
		D540	GS1J-LTP-X	SI DIODE	1	
		D780	BAW56-TP-X	SI DIODE	1	
		D781	BAW56-TP-X	SI DIODE	1	
		D783	BAW56-TP-X	SI DIODE	1	
		D891	BAW56-TP-X	SI DIODE	1	
△		D901	1N5401-BPC04	SI DIODE	1	
		D902	SK34A-L-X	SB DIODE	1	
		D906	MBRX130-TP-X	SB DIODE	1	
		D907	MBR0530-X	SB DIODE	1	
		D908	DZ2J051/M/-X	Z DIODE	1	
		D909	RB521SM-30-X	SB DIODE	1	
		D941	GS1J-LTP-X	SI DIODE	1	
		D970	DZ2J062/M/-X	Z DIODE	1	
		D971	DZ2J068/M/-X	Z DIODE	1	
		D972	DZ2J062/M/-X	Z DIODE	1	
		D981	SK34A-L-X	SB DIODE	1	
		D984	GS1J-LTP-X	SI DIODE	1	
		C3	CC73GCH1H020C	C CAPACITOR	2pF 50V C	1
		C6	CC73GCH1H101J	C CAPACITOR	100pF 50V J	1
		C7	CC73GCH1H270J	C CAPACITOR	27pF 50V J	1
		C18	CK73GGB1H473K	C CAPACITOR	0.047uF 50V K	1
		C80	NCB31HK-104X	C CAPACITOR	0.1uF 50V K	1
		C100	CK73FBB1H104K	C CAPACITOR	0.1uF 50V K	1
		C101	CK73GGB1H102K	C CAPACITOR	1000pF 50V K	1
		C102	CK73GGB1H102K	C CAPACITOR	1000pF 50V K	1
		C103	NCB31CK-105X	C CAPACITOR	1uF 16V K	1
		C104	NCB31CK-105X	C CAPACITOR	1uF 16V K	1
		C105	NCB31CK-105X	C CAPACITOR	1uF 16V K	1
		C163	CD04AV1V4R7M	E CAPACITOR	4.7uF 35V M	1
		C164	CD04AV1V4R7M	E CAPACITOR	4.7uF 35V M	1
		C165	QEKJ1EM-106Z	E CAPACITOR	10uF 25V M	1
		C166	NCB31HK-104X	C CAPACITOR	0.1uF 50V K	1
		C169	NCB31AK-105X	C CAPACITOR	1uF 10V K	1
		C170	NCB31AK-105X	C CAPACITOR	1uF 10V K	1
		C171	NCB31HK-104X	C CAPACITOR	0.1uF 50V K	1
		C172	QEKJ1CM-107Z	E CAPACITOR	100uF 16V M	1
		C177	NCB31AK-105X	C CAPACITOR	1uF 10V K	1
		C250	CC73GCH1H101J	C CAPACITOR	100pF 50V J	1
		C251	CD04AV1H100M	E CAPACITOR	10uF 50V M	1
		C303	CC73GCH1H820J	C CAPACITOR	82pF 50V J	1
		C304	QEKJ1CM-476Z	E CAPACITOR	47uF 16V M	1
		C305	CC73GCH1H820J	C CAPACITOR	82pF 50V J	1
		C306	CC73GCH1H820J	C CAPACITOR	82pF 50V J	1
		C307	CC73GCH1H560J	C CAPACITOR	56pF 50V J	1
		C308	CC73GCH1H560J	C CAPACITOR	56pF 50V J	1
		C309	CC73GCH1H560J	C CAPACITOR	56pF 50V J	1
		C310	CC73GCH1H560J	C CAPACITOR	56pF 50V J	1
		C312	CK730AV1C105K	C CAPACITOR	1uF 16V K	1
		C316	CK730AV1C224K	C CAPACITOR	0.22uF 16V K	1
		C317	CK730AV1C224K	C CAPACITOR	0.22uF 16V K	1
		C318	CK730AV1C224K	C CAPACITOR	0.22uF 16V K	1
		C319	CK730AV1C224K	C CAPACITOR	0.22uF 16V K	1
		C320	CC73GCH1H101J	C CAPACITOR	100pF 50V J	1
		C321	CD04AV1H100M	E CAPACITOR	10uF 50V M	1

MODEL	MARK	MODEL	MARK
KDC-HD458U	K1	KDC-X498	K0

Safe	Symbol No.	Parts No.	Parts Name	Description	QTY	Local
	C330	CC73GCH1H101J	C CAPACITOR	100pF 50V J	1	
	C331	CD04AV1H100M	E CAPACITOR	10uF 50V M	1	
	C340	CC73GCH1H101J	C CAPACITOR	100pF 50V J	1	
	C341	CD04AV1H100M	E CAPACITOR	10uF 50V M	1	
	C350	CC73GCH1H101J	C CAPACITOR	100pF 50V J	1	
	C351	CD04AV1H100M	E CAPACITOR	10uF 50V M	1	
	C368	NCB31AK-105X	C CAPACITOR	1uF 10V K	1	
	C369	NCB21AK-475X	C CAPACITOR	4.7uF 10V K	1	
	C405	CC73GCH1H020C	C CAPACITOR	2pF 50V C	1	
	C406	CC73GCH1H020C	C CAPACITOR	2pF 50V C	1	
	C407	CK730BU0J106M	C CAPACITOR	10uF 6.3V M	1	
	C408	CK73GBB1H103K	C CAPACITOR	0.01uF 50V K	1	
	C409	CC73GCH1H020C	C CAPACITOR	2pF 50V C	1	
	C411	CK730BU0J106M	C CAPACITOR	10uF 6.3V M	1	
	C412	CC73GCH1H030C	C CAPACITOR	3pF 50V C	1	
	C436	CK73GBB1H472K	C CAPACITOR	4700pF 50V K	1	
	C438	CK730BU0J106M	C CAPACITOR	10uF 6.3V M	1	
	C530	NCB20JK-106X	C CAPACITOR	10uF 6.3V K	1	
	C531	NCB20JK-106X	C CAPACITOR	10uF 6.3V K	1	
	C532	NCB20JK-106X	C CAPACITOR	10uF 6.3V K	1	
	C540	NCB31HK-104X	C CAPACITOR	0.1uF 50V K	1	
	C541	NCB31HK-104X	C CAPACITOR	0.1uF 50V K	1	
	C542	NCB20JK-106X	C CAPACITOR	10uF 6.3V K	1	
	C543	NCB20JK-106X	C CAPACITOR	10uF 6.3V K	1	
	C544	CK73GBB1H103K	C CAPACITOR	0.01uF 50V K	1	
	C545	CK73GBB1H103K	C CAPACITOR	0.01uF 50V K	1	
	C546	CK73GBB1H682K	C CAPACITOR	6800pF 50V K	1	
	C547	CK73GBB1H682K	C CAPACITOR	6800pF 50V K	1	
	C548	NCB21AK-475X	C CAPACITOR	4.7uF 10V K	1	
	C549	NCB31HK-104X	C CAPACITOR	0.1uF 50V K	1	
	C550	CK73GBB1C154K	C CAPACITOR	0.15uF 16V K	1	
	C552	CK73GBB1H682K	C CAPACITOR	6800pF 50V K	1	
	C553	NCB31HK-104X	C CAPACITOR	0.1uF 50V K	1	
	C554	NCB21AK-475X	C CAPACITOR	4.7uF 10V K	1	
	C555	CK73GBB1H223K	C CAPACITOR	0.022uF 50V K	1	
	C556	CK73GBB1H332K	C CAPACITOR	3300pF 50V K	1	
	C557	CK73GBB1A334K	C CAPACITOR	0.33uF 10V K	1	
	C558	NCB21AK-475X	C CAPACITOR	4.7uF 10V K	1	
	C559	NCB31HK-104X	C CAPACITOR	0.1uF 50V K	1	
	C560	CC73GCH1H681J	C CAPACITOR	680pF 50V J	1	
	C561	CK73FXR1A106K	C CAPACITOR	10uF 10V K	1	
	C562	CK73GBB1H153K	C CAPACITOR	0.015uF 50V K	1	
	C563	NCB31HK-104X	C CAPACITOR	0.1uF 50V K	1	
	C564	CK73GBB1H102K	C CAPACITOR	1000pF 50V K	1	
	C565	CK73GBB1E823K	C CAPACITOR	0.082uF 25V K	1	
	C567	CK73GBB1H102K	C CAPACITOR	1000pF 50V K	1	
	C568	CK73GBB1A334K	C CAPACITOR	0.33uF 10V K	1	
	C570	NCB31HK-104X	C CAPACITOR	0.1uF 50V K	1	
	C571	NCB31HK-104X	C CAPACITOR	0.1uF 50V K	1	
	C572	NCB20JK-106X	C CAPACITOR	10uF 6.3V K	1	
	C573	NCB31HK-104X	C CAPACITOR	0.1uF 50V K	1	
	C576	NCB31HK-104X	C CAPACITOR	0.1uF 50V K	1	
	C577	CC73GCH1H100D	C CAPACITOR	10pF 50V D	1	
	C578	CC73GCH1H100D	C CAPACITOR	10pF 50V D	1	
	C579	NCB31HK-104X	C CAPACITOR	0.1uF 50V K	1	
	C583	CC73GCH1H821J	C CAPACITOR	820pF 50V J	1	
	C584	CC73GCH1H821J	C CAPACITOR	820pF 50V J	1	
	C586	CC73GCH1H681J	C CAPACITOR	680pF 50V J	1	
	C587	CC73GCH1H681J	C CAPACITOR	680pF 50V J	1	
	C701	NCB31HK-104X	C CAPACITOR	0.1uF 50V K	1	
	C702	NCB31HK-104X	C CAPACITOR	0.1uF 50V K	1	
	C703	NCB31HK-104X	C CAPACITOR	0.1uF 50V K	1	
	C704	NCB31HK-104X	C CAPACITOR	0.1uF 50V K	1	
	C705	NCB31HK-104X	C CAPACITOR	0.1uF 50V K	1	
	C706	NCB31HK-104X	C CAPACITOR	0.1uF 50V K	1	
	C707	NCB31HK-104X	C CAPACITOR	0.1uF 50V K	1	
	C708	NCB31HK-104X	C CAPACITOR	0.1uF 50V K	1	
	C709	CC73GCH1H100D	C CAPACITOR	10pF 50V D	1	
	C710	CC73GCH1H120J	C CAPACITOR	12pF 50V J	1	
	C711	NCB31HK-104X	C CAPACITOR	0.1uF 50V K	1	
	C712	NCB31HK-104X	C CAPACITOR	0.1uF 50V K	1	
	C713	NCB31HK-104X	C CAPACITOR	0.1uF 50V K	1	
	C714	NCB31HK-104X	C CAPACITOR	0.1uF 50V K	1	
	C715	NCB31HK-104X	C CAPACITOR	0.1uF 50V K	1	
	C716	NCB31HK-104X	C CAPACITOR	0.1uF 50V K	1	
	C717	NCB31HK-104X	C CAPACITOR	0.1uF 50V K	1	
	C718	NCB31HK-104X	C CAPACITOR	0.1uF 50V K	1	
	C720	NCB31HK-104X	C CAPACITOR	0.1uF 50V K	1	
	C721	CC73GCH1H221J	C CAPACITOR	220pF 50V J	1	
	C722	CK73GBB1H472K	C CAPACITOR	4700pF 50V K	1	
	C723	CC73GCH1H221J	C CAPACITOR	220pF 50V J	1	
	C724	CC73GCH1H101J	C CAPACITOR	100pF 50V J	1	
	C725	CK73GBB1H472K	C CAPACITOR	4700pF 50V K	1	
	C727	CK73GBB1H272K	C CAPACITOR	2700pF 50V K	1	
	C728	CK73GBB1H473K	C CAPACITOR	0.047uF 50V K	1	
	C729	NCB31CK-105X	C CAPACITOR	1uF 16V K	1	
	C730	NCB31HK-104X	C CAPACITOR	0.1uF 50V K	1	
	C734	NCB31HK-104X	C CAPACITOR	0.1uF 50V K	1	
	C736	CC73GCH1H221J	C CAPACITOR	220pF 50V J	1	
	C737	CC73GCH1H561J	C CAPACITOR	560pF 50V J	1	
	C738	CK73GBB1H102K	C CAPACITOR	1000pF 50V K	1	
	C840	NCB31HK-104X	C CAPACITOR	0.1uF 50V K	1	

MODEL	MARK	MODEL	MARK
KDC-HD458U	K1	KDC-X498	K0

Safe	Symbol No.	Parts No.	Parts Name	Description	QTY	Local
	C842	CK73GGB1H472K	C CAPACITOR	4700pF 50V K	1	
	C891	NCB31HK-104X	C CAPACITOR	0.1uF 50V K	1	
	C901	QE20981-228	E CAPACITOR	2200uF	1	
	C902	QEKJ1CM-476Z	E CAPACITOR	47uF 16V M	1	
	C903	QEKJ1CM-107Z	E CAPACITOR	100uF 16V M	1	
	C904	CD04AR1C471M	E CAPACITOR	470uF 16V M	1	
	C905	CD04AS0J101M	E CAPACITOR	100uF 6.3V M	1	
	C907	QEKJ1EM-106Z	E CAPACITOR	10uF 25V M	1	
	C908	QEKJ1EM-106Z	E CAPACITOR	10uF 25V M	1	
	C909	QEKJ1EM-106Z	E CAPACITOR	10uF 25V M	1	
	C910	CK73GGB1C104K	C CAPACITOR	0.1uF 16V K	1	
	C911	CK73GGB1C104K	C CAPACITOR	0.1uF 16V K	1	
	C912	QEKJ1CM-476Z	E CAPACITOR	47uF 16V M	1	
	C913	NCB21EK-105X	C CAPACITOR	1uF 25V K	1	
	C914	NCB21EK-105X	C CAPACITOR	1uF 25V K	1	
	C921	CK73EXR1E106K	C CAPACITOR	10uF 25V K	1	
	C922	NCB31HK-104X	C CAPACITOR	0.1uF 50V K	1	
	C923	NCB31CK-105X	C CAPACITOR	1uF 16V K	1	
	C924	NCB31CK-105X	C CAPACITOR	1uF 16V K	1	
	C926	NCB31HK-104X	C CAPACITOR	0.1uF 50V K	1	
	C927	NCB31CK-105X	C CAPACITOR	1uF 16V K	1	
	C928	CK73EXR1E106K	C CAPACITOR	10uF 25V K	1	
	C937	CK73FXR1A106K	C CAPACITOR	10uF 10V K	1	
	C938	CK73FXR1A106K	C CAPACITOR	10uF 10V K	1	
	C939	CK73FXR1A106K	C CAPACITOR	10uF 10V K	1	
	C940	CK73FXR1A106K	C CAPACITOR	10uF 10V K	1	
	C941	CK73GGB1H471K	C CAPACITOR	470pF 50V K	1	
	C942	CK73GGB1H471K	C CAPACITOR	470pF 50V K	1	
	C944	CK73FBB1C105K	C CAPACITOR	1uF 16V K	1	
	C945	CC73GCH1H050C	C CAPACITOR	5pF 50V C	1	
	C946	CC73GCH1H050C	C CAPACITOR	5pF 50V C	1	
	C948	CK73GGB1H472K	C CAPACITOR	4700pF 50V K	1	
	C950	NCB31HK-104X	C CAPACITOR	0.1uF 50V K	1	
	C953	CK73GGB1C474K	C CAPACITOR	0.47uF 16V K	1	
	C954	CK73GGB1C474K	C CAPACITOR	0.47uF 16V K	1	
	C955	QEKJ0JM-107Z	E CAPACITOR	100uF 6.3V M	1	
	C956	CK73GGB1C474K	C CAPACITOR	0.47uF 16V K	1	
	C960	NCB31CK-105X	C CAPACITOR	1uF 16V K	1	
	C961	CK73EXR1E106K	C CAPACITOR	10uF 25V K	1	
	C979	QERF1AM-107Z	E CAPACITOR	100uF 10V M	1	
	C980	CC73GCH1H820J	C CAPACITOR	82pF 50V J	1	
	C981	CK73GGB1H682K	C CAPACITOR	6800pF 50V K	1	
	C982	CK73EXR1E106K	C CAPACITOR	10uF 25V K	1	
	C983	CK73EXR1E106K	C CAPACITOR	10uF 25V K	1	
	C984	CK73GGB1H103K	C CAPACITOR	0.01uF 50V K	1	
	C985	CK73EXR1E106K	C CAPACITOR	10uF 25V K	1	
	C986	CK73EXR1E106K	C CAPACITOR	10uF 25V K	1	
	C987	NCB31HK-104X	C CAPACITOR	0.1uF 50V K	1	
	C988	CK73EXR1E106K	C CAPACITOR	10uF 25V K	1	
	C989	CK73EXR1E106K	C CAPACITOR	10uF 25V K	1	
	C990	NCB31HK-104X	C CAPACITOR	0.1uF 50V K	1	
	C991	NCB31HK-104X	C CAPACITOR	0.1uF 50V K	1	
	C992	NCB31HK-104X	C CAPACITOR	0.1uF 50V K	1	
	C993	NCB31HK-104X	C CAPACITOR	0.1uF 50V K	1	
	C994	CK73EXR1E106K	C CAPACITOR	10uF 25V K	1	
	R1	RK73GB2A000J	MG RESISTOR	0Ω 1/10W J	1	
	R2	RK73GB2A300J	MG RESISTOR	30Ω 1/10W J	1	
	R5	RK73EB2E000J	MG RESISTOR	0Ω 1/4W J	1	
	R9	RK73GB2A000J	MG RESISTOR	0Ω 1/10W J	1	
	R19	RK73GB2A000J	MG RESISTOR	0Ω 1/10W J	1	
	R80	RK73GB2A101J	MG RESISTOR	100Ω 1/10W J	1	
	R81	RK73GB2A101J	MG RESISTOR	100Ω 1/10W J	1	
	R82	RK73GB2A472J	MG RESISTOR	4.7kΩ 1/10W J	1	
	R83	RK73GB2A472J	MG RESISTOR	4.7kΩ 1/10W J	1	
	R84	RK73GB2A472J	MG RESISTOR	4.7kΩ 1/10W J	1	
	R100	RK73EB2E471J	MG RESISTOR	470Ω 1/4W J	1	
	R101	RK73FB2B000J	MG RESISTOR	0Ω 1/8W J	1	
	R102	RK73FB2B101J	MG RESISTOR	100Ω 1/8W J	1	
	R103	RK73GB2A473J	MG RESISTOR	47kΩ 1/10W J	1	
	R104	RK73GB2A473J	MG RESISTOR	47kΩ 1/10W J	1	
	R105	RK73FB2B101J	MG RESISTOR	100Ω 1/8W J	1	
	R160	RK73GB2A910J	MG RESISTOR	91Ω 1/10W J	1	
	R161	RK73GB2A910J	MG RESISTOR	91Ω 1/10W J	1	
	R162	RK73GB2A000J	MG RESISTOR	0Ω 1/10W J	1	
	R164	RK73GB2A000J	MG RESISTOR	0Ω 1/10W J	1	
	R168	RK73GB2A101J	MG RESISTOR	100Ω 1/10W J	1	
	R169	RK73GB2A101J	MG RESISTOR	100Ω 1/10W J	1	
	R170	RK73EB2E000J	MG RESISTOR	0Ω 1/4W J	1	
	R171	RK73GB2A103J	MG RESISTOR	10kΩ 1/10W J	1	
	R172	RK73EB2E000J	MG RESISTOR	0Ω 1/4W J	1	
	R250	RK73GB2A181J	MG RESISTOR	180Ω 1/10W J	1	
	R251	RK73GB2A223J	MG RESISTOR	22kΩ 1/10W J	1	
	R252	RK73GB2A331J	MG RESISTOR	330Ω 1/10W J	1	
	R254	RK73GB2A000J	MG RESISTOR	0Ω 1/10W J	1	
	R301	RK73GB2A000J	MG RESISTOR	0Ω 1/10W J	1	
	R303	RK73EB2E5R1J	MG RESISTOR	5.1Ω 1/4W J	1	
	R304	RK73GB2A473J	MG RESISTOR	47kΩ 1/10W J	1	
	R305	NR20084-0R0X	MG RESISTOR	0Ω	1	
	R307	RK73EB2E000J	MG RESISTOR	0Ω 1/4W J	1	
	R308	RK73EB2E000J	MG RESISTOR	0Ω 1/4W J	1	
	R309	RK73EB2E000J	MG RESISTOR	0Ω 1/4W J	1	
	R320	RK73GB2A181J	MG RESISTOR	180Ω 1/10W J	1	
	R321	RK73GB2A223J	MG RESISTOR	22kΩ 1/10W J	1	

MODEL	MARK	MODEL	MARK
KDC-HD458U	K1	KDC-X498	K0

Safe	Symbol No.	Parts No.	Parts Name	Description	QTY	Local
	R323	RK73GB2A331J	MG RESISTOR	330Ω 1/10W J	1	
	R330	RK73GB2A181J	MG RESISTOR	180Ω 1/10W J	1	
	R331	RK73GB2A223J	MG RESISTOR	22kΩ 1/10W J	1	
	R333	RK73GB2A331J	MG RESISTOR	330Ω 1/10W J	1	
	R340	RK73GB2A181J	MG RESISTOR	180Ω 1/10W J	1	
	R341	RK73GB2A223J	MG RESISTOR	22kΩ 1/10W J	1	
	R343	RK73GB2A331J	MG RESISTOR	330Ω 1/10W J	1	
	R345	RK73GB2A000J	MG RESISTOR	0Ω 1/10W J	1	
	R350	RK73GB2A181J	MG RESISTOR	180Ω 1/10W J	1	
	R351	RK73GB2A223J	MG RESISTOR	22kΩ 1/10W J	1	
	R353	RK73GB2A331J	MG RESISTOR	330Ω 1/10W J	1	
	R355	RK73GB2A000J	MG RESISTOR	0Ω 1/10W J	1	
	R360	RK73GB2A000J	MG RESISTOR	0Ω 1/10W J	1	
	R361	RK73GB2A000J	MG RESISTOR	0Ω 1/10W J	1	
	R362	RK73GB2A000J	MG RESISTOR	0Ω 1/10W J	1	
	R363	RK73GB2A000J	MG RESISTOR	0Ω 1/10W J	1	
	R364	RK73GB2A000J	MG RESISTOR	0Ω 1/10W J	1	
	R400	RK73GB2A473J	MG RESISTOR	47kΩ 1/10W J	1	
	R401	RK73GB2A473J	MG RESISTOR	47kΩ 1/10W J	1	
	R402	RK73GB2A000J	MG RESISTOR	0Ω 1/10W J	1	
	R403	RK73GB2A473J	MG RESISTOR	47kΩ 1/10W J	1	
	R404	RK73GB2A473J	MG RESISTOR	47kΩ 1/10W J	1	
	R405	RK73EB2E000J	MG RESISTOR	0Ω 1/4W J	1	
	R407	RK73GH2A100D	MG RESISTOR	10Ω 1/10W D	1	
	R410	RK73EB2E000J	MG RESISTOR	0Ω 1/4W J	1	
	R412	RK73GB2A473J	MG RESISTOR	47kΩ 1/10W J	1	
	R413	RK73GB2A473J	MG RESISTOR	47kΩ 1/10W J	1	
	R414	RK73GB2A473J	MG RESISTOR	47kΩ 1/10W J	1	
	R415	RK73GB2A473J	MG RESISTOR	47kΩ 1/10W J	1	
	R416	RK73GB2A473J	MG RESISTOR	47kΩ 1/10W J	1	
	R417	RK73GB2A473J	MG RESISTOR	47kΩ 1/10W J	1	
	R419	RK73GB2A473J	MG RESISTOR	47kΩ 1/10W J	1	
	R422	RK73GB2A201J	MG RESISTOR	200Ω 1/10W J	1	
	R423	RK73EB2E330J	MG RESISTOR	33Ω 1/4W J	1	
	R424	RK73GB2A161J	MG RESISTOR	160Ω 1/10W J	1	
	R430	RK73EB2E000J	MG RESISTOR	0Ω 1/4W J	1	
	R432	RK73GB2A000J	MG RESISTOR	0Ω 1/10W J	1	
	R442	RK73EB2E000J	MG RESISTOR	0Ω 1/4W J	1	
	R443	RK73GB2A000J	MG RESISTOR	0Ω 1/10W J	1	
	R512	RK73EB2E000J	MG RESISTOR	0Ω 1/4W J	1	
	R513	RK73EB2E000J	MG RESISTOR	0Ω 1/4W J	1	
	R531	RK73EB2E100J	MG RESISTOR	10Ω 1/4W J	1	
	R541	RK73GB2A562J	MG RESISTOR	5.6kΩ 1/10W J	1	
	R542	RK73GB2A223J	MG RESISTOR	22kΩ 1/10W J	1	
	R543	RK73GB2A562J	MG RESISTOR	5.6kΩ 1/10W J	1	
	R544	RK73GB2A183J	MG RESISTOR	18kΩ 1/10W J	1	
	R546	RK73GB2A103J	MG RESISTOR	10kΩ 1/10W J	1	
	R548	RK73GB2A123J	MG RESISTOR	12kΩ 1/10W J	1	
	R550	RK73GB2A222J	MG RESISTOR	2.2kΩ 1/10W J	1	
	R551	RK73GB2A222J	MG RESISTOR	2.2kΩ 1/10W J	1	
	R554	RK73GB2A225J	MG RESISTOR	2.2MΩ 1/10W J	1	
	R555	RK73GB2A000J	MG RESISTOR	0Ω 1/10W J	1	
	R556	RK73GB2A473J	MG RESISTOR	47kΩ 1/10W J	1	
	R557	RK73EB2E4R7J	MG RESISTOR	4.7Ω 1/4W J	1	
	R558	RK73GB2A821J	MG RESISTOR	820Ω 1/10W J	1	
	R559	RK73GB2A272J	MG RESISTOR	2.7kΩ 1/10W J	1	
	R562	RK73EB2E823J	MG RESISTOR	82kΩ 1/4W J	1	
	R563	RK73GB2A000J	MG RESISTOR	0Ω 1/10W J	1	
	R568	RK73GB2A330J	MG RESISTOR	33Ω 1/10W J	1	
	R569	RK73EB2E102J	MG RESISTOR	1kΩ 1/4W J	1	
	R570	RK73GB2A102J	MG RESISTOR	1kΩ 1/10W J	1	
	R571	RK73EB2E103J	MG RESISTOR	10kΩ 1/4W J	1	
	R572	RK73GB2A221J	MG RESISTOR	220Ω 1/10W J	1	
	R573	RK73GB2A105J	MG RESISTOR	1MΩ 1/10W J	1	
	R574	RK73GB2A101J	MG RESISTOR	100Ω 1/10W J	1	
	R579	RK73GB2A222J	MG RESISTOR	2.2kΩ 1/10W J	1	
	R580	RK73GB2A222J	MG RESISTOR	2.2kΩ 1/10W J	1	
	R587	RK73GB2A5R1J	MG RESISTOR	5.1Ω 1/10W J	1	
	R589	RK73GB2A821J	MG RESISTOR	820Ω 1/10W J	1	
	R590	RK73GB2A821J	MG RESISTOR	820Ω 1/10W J	1	
	R701	RK73EB2E101J	MG RESISTOR	100Ω 1/4W J	1	
	R702	RK73GB2A473J	MG RESISTOR	47kΩ 1/10W J	1	
	R703	RK73GB2A000J	MG RESISTOR	0Ω 1/10W J	1	
	R704	RK73GB2A162J	MG RESISTOR	1.6kΩ 1/10W J	1	
	R705	RK73GB2A162J	MG RESISTOR	1.6kΩ 1/10W J	1	
	R706	RK73GB2A162J	MG RESISTOR	1.6kΩ 1/10W J	1	
	R707	RK73GB2A162J	MG RESISTOR	1.6kΩ 1/10W J	1	
	R708	RK73GB2A471J	MG RESISTOR	470Ω 1/10W J	1	
	R710	RK73EB2E000J	MG RESISTOR	0Ω 1/4W J	1	
	R711	RK73GB2A473J	MG RESISTOR	47kΩ 1/10W J	1	
	R712	RK73GB2A101J	MG RESISTOR	100Ω 1/10W J	1	
	R713	RK73GB2A101J	MG RESISTOR	100Ω 1/10W J	1	
	R714	RK73GB2A471J	MG RESISTOR	470Ω 1/10W J	1	
	R715	RK73GB2A101J	MG RESISTOR	100Ω 1/10W J	1	
	R716	RK73GB2A471J	MG RESISTOR	470Ω 1/10W J	1	
	R717	RK73GB2A102J	MG RESISTOR	1kΩ 1/10W J	1	
	R718	RK73GB2A222J	MG RESISTOR	2.2kΩ 1/10W J	1	
	R719	RK73GB2A104J	MG RESISTOR	100kΩ 1/10W J	1	
	R720	RK73GB2A104J	MG RESISTOR	100kΩ 1/10W J	1	
	R721	RK73GB2A103J	MG RESISTOR	10kΩ 1/10W J	1	
	R722	RK73GB2A103J	MG RESISTOR	10kΩ 1/10W J	1	
	R723	RK73GB2A222J	MG RESISTOR	2.2kΩ 1/10W J	1	

MODEL	MARK	MODEL	MARK
KDC-HD458U	K1	KDC-X498	K0

Safe	Symbol No.	Parts No.	Parts Name	Description	QTY	Local
	R724	RK73GB2A225J	MG RESISTOR	2.2MΩ 1/10W J	1	
	R726	RK73GB2A473J	MG RESISTOR	47kΩ 1/10W J	1	
	R727	RK73GB2A101J	MG RESISTOR	100Ω 1/10W J	1	
	R728	RK73GB2A473J	MG RESISTOR	47kΩ 1/10W J	1	
	R729	RK73GB2A105J	MG RESISTOR	1MΩ 1/10W J	1	
	R730	RK73GB2A222J	MG RESISTOR	2.2kΩ 1/10W J	1	
	R731	RK73GB2A153J	MG RESISTOR	15kΩ 1/10W J	1	
	R732	RK73GB2A153J	MG RESISTOR	15kΩ 1/10W J	1	
	R733	RK73GB2A220J	MG RESISTOR	22Ω 1/10W J	1	
	R734	RK73GB2A220J	MG RESISTOR	22Ω 1/10W J	1	
	R735	RK73GB2A473J	MG RESISTOR	47kΩ 1/10W J	1	
	R740	RK73EB2E152J	MG RESISTOR	1.5kΩ 1/4W J	1	
	R741	RK73GB2A333J	MG RESISTOR	33kΩ 1/10W J	1	K1
	R743	RK73GB2A153J	MG RESISTOR	15kΩ 1/10W J	1	K1
	R743	RK73GB2A473J	MG RESISTOR	47kΩ 1/10W J	1	K0
	R745	RK73GB2A473J	MG RESISTOR	47kΩ 1/10W J	1	
	R746	RK73GB2A473J	MG RESISTOR	47kΩ 1/10W J	1	
	R747	RK73GB2A473J	MG RESISTOR	47kΩ 1/10W J	1	
	R748	RK73GB2A473J	MG RESISTOR	47kΩ 1/10W J	1	
	R749	RK73GB2A473J	MG RESISTOR	47kΩ 1/10W J	1	
	R751	RK73GB2A000J	MG RESISTOR	0Ω 1/10W J	1	
	R752	RK73EB2E000J	MG RESISTOR	0Ω 1/4W J	1	
	R753	RK73GB2A000J	MG RESISTOR	0Ω 1/10W J	1	
	R754	RK73GB2A000J	MG RESISTOR	0Ω 1/10W J	1	
	R755	RK73GB2A000J	MG RESISTOR	0Ω 1/10W J	1	
	R756	RK73GB2A473J	MG RESISTOR	47kΩ 1/10W J	1	
	R757	RK73GB2A473J	MG RESISTOR	47kΩ 1/10W J	1	
	R758	RK73GB2A102J	MG RESISTOR	1kΩ 1/10W J	1	
	R759	RK73GB2A472J	MG RESISTOR	4.7kΩ 1/10W J	1	
	R760	RK73GB2A472J	MG RESISTOR	4.7kΩ 1/10W J	1	
	R761	RK73GB2A103J	MG RESISTOR	10kΩ 1/10W J	1	
	R762	RK73GB2A103J	MG RESISTOR	10kΩ 1/10W J	1	
	R763	RK73GB2A222J	MG RESISTOR	2.2kΩ 1/10W J	1	
	R764	RK73GB2A222J	MG RESISTOR	2.2kΩ 1/10W J	1	
	R765	RK73GB2A222J	MG RESISTOR	2.2kΩ 1/10W J	1	
	R766	RK73GB2A101J	MG RESISTOR	100Ω 1/10W J	1	
	R767	RK73GB2A473J	MG RESISTOR	47kΩ 1/10W J	1	
	R769	RK73GB2A101J	MG RESISTOR	100Ω 1/10W J	1	
	R770	RK73GB2A910J	MG RESISTOR	91Ω 1/10W J	1	
	R771	RK73GB2A910J	MG RESISTOR	91Ω 1/10W J	1	
	R772	RK73GB2A910J	MG RESISTOR	91Ω 1/10W J	1	
	R773	RK73EB2E680J	MG RESISTOR	68Ω 1/4W J	1	
	R774	RK73EB2E000J	MG RESISTOR	0Ω 1/4W J	1	
	R775	RK73GB2A222J	MG RESISTOR	2.2kΩ 1/10W J	1	
	R776	RK73GB2A271J	MG RESISTOR	270Ω 1/10W J	1	
	R777	RK73GB2A271J	MG RESISTOR	270Ω 1/10W J	1	
	R778	RK73GB2A473J	MG RESISTOR	47kΩ 1/10W J	1	
	R779	RK73GB2A101J	MG RESISTOR	100Ω 1/10W J	1	
	R780	RK73GB2A473J	MG RESISTOR	47kΩ 1/10W J	1	
	R781	RK73GB2A331J	MG RESISTOR	330Ω 1/10W J	1	
	R782	RK73EB2E000J	MG RESISTOR	0Ω 1/4W J	1	
	R783	RK73GB2A104J	MG RESISTOR	100kΩ 1/10W J	1	
	R784	RK73GB2A103J	MG RESISTOR	10kΩ 1/10W J	1	
	R803	RK73GB2A471J	MG RESISTOR	470Ω 1/10W J	1	
	R805	RK73GB2A391J	MG RESISTOR	390Ω 1/10W J	1	
	R806	RK73GB2A471J	MG RESISTOR	470Ω 1/10W J	1	
	R807	RK73GB2A471J	MG RESISTOR	470Ω 1/10W J	1	
	R828	RK73GB2A911J	MG RESISTOR	910Ω 1/10W J	1	
	R829	RK73GB2A562J	MG RESISTOR	5.6kΩ 1/10W J	1	
	R831	RK73GB2A000J	MG RESISTOR	0Ω 1/10W J	1	
	R841	RK73GB2A473J	MG RESISTOR	47kΩ 1/10W J	1	
	R842	RK73GB2A473J	MG RESISTOR	47kΩ 1/10W J	1	
	R843	RK73GB2A473J	MG RESISTOR	47kΩ 1/10W J	1	
	R844	RK73GB2A000J	MG RESISTOR	0Ω 1/10W J	1	
	R845	RK73GB2A000J	MG RESISTOR	0Ω 1/10W J	1	
	R846	RK73GB2A000J	MG RESISTOR	0Ω 1/10W J	1	
	R891	RK73GB2A103J	MG RESISTOR	10kΩ 1/10W J	1	
	R892	RK73GB2A683J	MG RESISTOR	68kΩ 1/10W J	1	
	R894	RK73GB2A000J	MG RESISTOR	0Ω 1/10W J	1	
	R895	RK73EB2E123J	MG RESISTOR	12kΩ 1/4W J	1	
	R901	RK73GB2A333J	MG RESISTOR	33kΩ 1/10W J	1	
	R902	RK73GB2A472J	MG RESISTOR	4.7kΩ 1/10W J	1	
	R903	RK73GB2A273J	MG RESISTOR	27kΩ 1/10W J	1	
	R904	RK73GB2A472J	MG RESISTOR	4.7kΩ 1/10W J	1	K1
	R904	RK73GB2A332J	MG RESISTOR	3.3kΩ 1/10W J	1	K0
	R906	RK73GB2A103J	MG RESISTOR	10kΩ 1/10W J	1	
	R911	RK73EB2E472J	MG RESISTOR	4.7kΩ 1/4W J	1	
	R913	RK73GB2A151J	MG RESISTOR	150Ω 1/10W J	1	
	R914	RK73EB2E102J	MG RESISTOR	1kΩ 1/4W J	1	
	R915	RK73GB2A000J	MG RESISTOR	0Ω 1/10W J	1	
	R928	RK73GH2A100D	MG RESISTOR	10Ω 1/10W D	1	
	R929	NR20084-0ROX	MG RESISTOR	0Ω	1	
	R931	RK73GB2A000J	MG RESISTOR	0Ω 1/10W J	1	
	R932	RK73GB2A000J	MG RESISTOR	0Ω 1/10W J	1	
	R940	RK73GB2A102J	MG RESISTOR	1kΩ 1/10W J	1	
	R941	RK73GB2A223J	MG RESISTOR	22kΩ 1/10W J	1	
	R942	RK73EB2E000J	MG RESISTOR	0Ω 1/4W J	1	
	R945	RK73GB2A103J	MG RESISTOR	10kΩ 1/10W J	1	
	R946	RK73EB2E000J	MG RESISTOR	0Ω 1/4W J	1	
	R954	RK73GB2A101J	MG RESISTOR	100Ω 1/10W J	1	
	R969	RK73GB2A563J	MG RESISTOR	56kΩ 1/10W J	1	
	R970	RK73EB2E683J	MG RESISTOR	68kΩ 1/4W J	1	

MODEL	MARK	MODEL	MARK
KDC-HD458U	K1	KDC-X498	K0

Safe	Symbol No.	Parts No.	Parts Name	Description	QTY	Local
	R971	RK73EB2E473J	MG RESISTOR	47kΩ 1/4W J	1	
	R972	RK73GB2A104J	MG RESISTOR	100kΩ 1/10W J	1	
	R973	RK73GB2A333J	MG RESISTOR	33kΩ 1/10W J	1	
	R974	RK73GB2A223J	MG RESISTOR	22kΩ 1/10W J	1	
	R975	RK73GB2A333J	MG RESISTOR	33kΩ 1/10W J	1	
	R976	RK73FB2B104J	MG RESISTOR	100kΩ 1/8W J	1	
	R977	RK73GB2A223J	MG RESISTOR	22kΩ 1/10W J	1	
	R978	RK73EB2E473J	MG RESISTOR	47kΩ 1/4W J	1	
	R979	RK73EB2E682J	MG RESISTOR	6.8kΩ 1/4W J	1	
	R980	RK73EB2E682J	MG RESISTOR	6.8kΩ 1/4W J	1	
	R981	RK73EB2E000J	MG RESISTOR	0Ω 1/4W J	1	
	R982	RK73GH2A913D	MG RESISTOR	91kΩ 1/10W D	1	
	R983	RK73GH2A224D	MG RESISTOR	220kΩ 1/10W D	1	
	R984	RK73GH2A243D	MG RESISTOR	24kΩ 1/10W D	1	
	R985	RK73EB2E271J	MG RESISTOR	270Ω 1/4W J	1	
	R986	RK73GB2A000J	MG RESISTOR	0Ω 1/10W J	1	
	R987	RK73GB2A103J	MG RESISTOR	10kΩ 1/10W J	1	
	R988	RK73GB2A103J	MG RESISTOR	10kΩ 1/10W J	1	
	R989	RK73EB2E000J	MG RESISTOR	0Ω 1/4W J	1	
	R990	RK73GH2A203D	MG RESISTOR	20kΩ 1/10W D	1	
	L1	NQL79GM-4R7X	COIL	4.7uH M	1	
	L3	NQR0499-001X	FERRITE BEADS		1	
	L4	NQR0499-001X	FERRITE BEADS		1	
	L161	NQL553J-27NX	COIL	27nH J	1	
	L507	NQR0154-006X	FERRITE CORE		1	
	L541	NQR0022-005X	FERRITE BEADS		1	
	L576	NQR0022-005X	FERRITE BEADS		1	
	L577	NQR0022-005X	FERRITE BEADS		1	
	L578	NQR0022-005X	FERRITE BEADS		1	
	L708	NQR0022-005X	FERRITE BEADS		1	
	L714	NQR0022-005X	FERRITE BEADS		1	
	L716	NQR0022-005X	FERRITE BEADS		1	
	L718	NQR0022-005X	FERRITE BEADS		1	
	L750	NQR0269-017X	FERRITE BEADS		1	
	L751	NQR0269-030X	FERRITE BEADS		1	
	L777	NQR0022-005X	FERRITE BEADS		1	
	L778	NQR0022-005X	FERRITE BEADS		1	
	L779	NQR0022-005X	FERRITE BEADS		1	
	L780	NQR0022-005X	FERRITE BEADS		1	
	L781	NQR0022-005X	FERRITE BEADS		1	
	L782	NQR0022-005X	FERRITE BEADS		1	
	L783	NQR0022-005X	FERRITE BEADS		1	
	L784	NQR0022-005X	FERRITE BEADS		1	
	L785	NQR0022-005X	FERRITE BEADS		1	
	L805	NQR0022-005X	FERRITE BEADS		1	
	L841	NQR0154-006X	FERRITE CORE		1	
	L901	QQR1909-001	CHOKO COIL		1	
	L912	NQR0499-001X	FERRITE BEADS		1	
	L921	NQR0499-001X	FERRITE BEADS		1	
	L928	NQLH25M-4R7X	COIL	4.7uH M	1	
	L941	NQL79GM-4R7X	COIL	4.7uH M	1	
	L961	NQLH25M-4R7X	COIL	4.7uH M	1	
	L962	NQLH25M-4R7X	COIL	4.7uH M	1	
	L981	NQLN9EM-150X	COIL	15uH M	1	
	L982	NQLH25M-4R7X	COIL	4.7uH M	1	
	CN502	QGF1040F1-24	CONNECTOR	FFC/FPC (1-24)	1	
	CN701	QGZ1102J1-20	CONNECTOR	(1-20)	1	
△	CN901	QNZ0607-001	CAR CONNECTOR		1	
	J2	QNB0358-001	ANT TERMINAL		1	
	J321	QNN0866-001	PIN JACK		1	
	S701	QSW0648-001Z	TACT SWITCH		1	
	X540	NAX1224-001X	CRYSTAL		1	
	X701	NAX1243-001X	CRYSTAL		1	
	SWITCH UNIT (X16-7550-10) <X16>					
	IC601	PCA9633DP1-X	IC		1	
	IC661	PT6530-LQ	IC		1	
	IC681	PIC95603-X	IR DETECT UNIT		1	
	Q611	LSCR523UB-X	TRANSISTOR		1	
	Q641	LTA014EUB-X	DIGI TRANSISTOR		1	
	Q642	LTC014EUB-X	DIGI TRANSISTOR		1	
	Q661	LSCR523UB-X	TRANSISTOR		1	
	Q662	LSCR523UB-X	TRANSISTOR		1	
	Q663	LSCR523EB-X	TRANSISTOR		1	
	Q664	LSCR523UB-X	TRANSISTOR		1	
	D611	MBRX130-TP-X	SB DIODE		1	
	D612	DZ2J056/M/-X	Z DIODE		1	
	D631	DZ2J051/M/-X	Z DIODE		1	
	D632	DZ2J051/M/-X	Z DIODE		1	
	D660	SML-D12V8W-X	LED		1	
	D661	SML-310VT-X	LED		1	
	D662	LRTBGFTG/Z1Z1X	LED		1	
	D663	LRTBGFTG/Z1Z1X	LED		1	
	D664	LRTBGFTG/Z1Z1X	LED		1	
	D665	LRTBGFTG/Z1Z1X	LED		1	
	D666	LRTBGFTG/Z1Z1X	LED		1	
	D669	LRTBGFTG/Z1Z1X	LED		1	
	C602	NCB31CK-105X	C CAPACITOR	1uF 16V K	1	
	C614	CK73GBB1H102K	C CAPACITOR	1000pF 50V K	1	
	C615	NCB31CK-105X	C CAPACITOR	1uF 16V K	1	
	C616	NCB31CK-105X	C CAPACITOR	1uF 16V K	1	
	C617	NCB31HK-104X	C CAPACITOR	0.1uF 50V K	1	
	C618	NCB31HK-104X	C CAPACITOR	0.1uF 50V K	1	

MODEL	MARK	MODEL	MARK
KDC-HD458U	K1	KDC-X498	K0

Safe	Symbol No.	Parts No.	Parts Name	Description	QTY	Local
	C619	NCB31HK-104X	C CAPACITOR	0.1uF 50V K	1	
	C620	NCB31HK-104X	C CAPACITOR	0.1uF 50V K	1	
	C632	CC73GCH1H270J	C CAPACITOR	27pF 50V J	1	
	C633	CC73GCH1H270J	C CAPACITOR	27pF 50V J	1	
	C634	CK73EXR1E106K	C CAPACITOR	10uF 25V K	1	
	C635	CK73GBB1H471K	C CAPACITOR	470pF 50V K	1	
	C636	CK73GBB1H472K	C CAPACITOR	4700pF 50V K	1	
	C638	CK73GBB1H472K	C CAPACITOR	4700pF 50V K	1	
	C639	CK73GBB1H472K	C CAPACITOR	4700pF 50V K	1	
	C641	NCB31AK-105X	C CAPACITOR	1uF 10V K	1	
	C691	CK73EXR1E106K	C CAPACITOR	10uF 25V K	1	
	R601	RK73GB2A101J	MG RESISTOR	100Ω 1/10W J	1	
	R602	RK73GB2A101J	MG RESISTOR	100Ω 1/10W J	1	
	R612	RK73FB2B331J	MG RESISTOR	330Ω 1/8W J	1	
	R613	RK73GB2A102J	MG RESISTOR	1kΩ 1/10W J	1	
	R621	RK73GB2A101J	MG RESISTOR	100Ω 1/10W J	1	
	R622	RK73GB2A101J	MG RESISTOR	100Ω 1/10W J	1	
	R623	RK73GB2A101J	MG RESISTOR	100Ω 1/10W J	1	
	R624	RK73GB2A101J	MG RESISTOR	100Ω 1/10W J	1	
	R625	RK73GB2A101J	MG RESISTOR	100Ω 1/10W J	1	
	R626	RK73GB2A393J	MG RESISTOR	39kΩ 1/10W J	1	
	R627	RK73GB2A472J	MG RESISTOR	4.7kΩ 1/10W J	1	
	R628	RK73GB2A472J	MG RESISTOR	4.7kΩ 1/10W J	1	
	R629	RK73GB2A472J	MG RESISTOR	4.7kΩ 1/10W J	1	
	R630	RK73FB2B100J	MG RESISTOR	10Ω 1/8W J	1	
	R631	RK73FB2B100J	MG RESISTOR	10Ω 1/8W J	1	
	R632	RK73EB2E103J	MG RESISTOR	10kΩ 1/4W J	1	
	R633	RK73GB2A101J	MG RESISTOR	100Ω 1/10W J	1	
	R634	RK73FB2B4R7J	MG RESISTOR	4.7Ω 1/8W J	1	
	R637	RK73GB2A000J	MG RESISTOR	0Ω 1/10W J	1	
	R641	RK73GB2A333J	MG RESISTOR	33kΩ 1/10W J	1	
	R659	RK73GB2A122J	MG RESISTOR	1.2kΩ 1/10W J	1	
	R660	RK73GB2A152J	MG RESISTOR	1.5kΩ 1/10W J	1	
	R661	RK73EB2E751J	MG RESISTOR	750Ω 1/4W J	1	
	R663	RK73FB2B471J	MG RESISTOR	470Ω 1/8W J	1	
	R665	RK73FB2B471J	MG RESISTOR	470Ω 1/8W J	1	
	R667	RK73FB2B751J	MG RESISTOR	750Ω 1/8W J	1	
	R669	RK73FB2B471J	MG RESISTOR	470Ω 1/8W J	1	
	R671	RK73FB2B471J	MG RESISTOR	470Ω 1/8W J	1	
	R673	RK73FB2B751J	MG RESISTOR	750Ω 1/8W J	1	
	R675	RK73FB2B821J	MG RESISTOR	820Ω 1/8W J	1	
	R677	RK73FB2B821J	MG RESISTOR	820Ω 1/8W J	1	
	R679	RK73FB2B102J	MG RESISTOR	1kΩ 1/8W J	1	
	R681	RK73FB2B561J	MG RESISTOR	560Ω 1/8W J	1	
	R683	RK73FB2B561J	MG RESISTOR	560Ω 1/8W J	1	
	R685	RK73FB2B751J	MG RESISTOR	750Ω 1/8W J	1	
	R686	RK73GB2A102J	MG RESISTOR	1kΩ 1/10W J	1	
	R687	RK73GB2A102J	MG RESISTOR	1kΩ 1/10W J	1	
	R688	RK73GB2A102J	MG RESISTOR	1kΩ 1/10W J	1	
	R689	RK73GB2A102J	MG RESISTOR	1kΩ 1/10W J	1	
	R690	RK73EB2E000J	MG RESISTOR	0Ω 1/4W J	1	
	R696	RK73GB2A000J	MG RESISTOR	0Ω 1/10W J	1	
	R697	RK73GB2A000J	MG RESISTOR	0Ω 1/10W J	1	
	R698	RK73GB2A000J	MG RESISTOR	0Ω 1/10W J	1	
	R699	RK73GB2A000J	MG RESISTOR	0Ω 1/10W J	1	
	RA601	RK74GB1J101J	NET RESISTOR	100Ω 1/16W J	1	
	RA602	RK74GB1J101J	NET RESISTOR	100Ω 1/16W J	1	
	L601	NQR0022-005X	FERRITE BEADS		1	
	CN601	QGZ1102K3-20X	CONNECTOR	(1-20)	1	
	CN603	QNZ1076-001	USB CONNECTOR		1	
	EN601	QSW1288-001	ROTARY ENCODER		1	
	J602	QNS0323-001	3.5 JACK		1	
	LF691	NQR0704-001X	CHOKE COIL		1	
	S601	NSW0246-001X	TACT SWITCH		1	
	S602	NSW0246-001X	TACT SWITCH		1	
	S603	NSW0246-001X	TACT SWITCH		1	
	S604	NSW0246-001X	TACT SWITCH		1	
	S605	NSW0246-001X	TACT SWITCH		1	
	S606	NSW0246-001X	TACT SWITCH		1	
	S607	NSW0246-001X	TACT SWITCH		1	
	S608	NSW0246-001X	TACT SWITCH		1	
	S609	NSW0246-001X	TACT SWITCH		1	
	S610	NSW0246-001X	TACT SWITCH		1	
	S611	NSW0246-001X	TACT SWITCH		1	
	S612	NSW0246-001X	TACT SWITCH		1	
	S613	NSW0246-001X	TACT SWITCH		1	
	S614	NSW0246-001X	TACT SWITCH		1	
	S615	NSW0246-001X	TACT SWITCH		1	
	CD PLAYER UNIT (X32-6680-00) IN CD MECHA <X32>					
	IC1	BD8266EFV-M-X	IC		1	
	C26	CK730BW1C106K	C CAPACITOR	10uF 16V K	1	
	C54	CK73GB1H104K	C CAPACITOR	0.1uF 50V K	1	
	C55	CK730BW1C106K	C CAPACITOR	10uF 16V K	1	
	R18	RK73GB2A822J	MG RESISTOR	8.2kΩ 1/10W J	1	
	R21	RK73GB2A822J	MG RESISTOR	8.2kΩ 1/10W J	1	
	R24	RK73GB2A272J	MG RESISTOR	2.7kΩ 1/10W J	1	
	R27	RK73GB2A562J	MG RESISTOR	5.6kΩ 1/10W J	1	
	R28	RK73GB2A114J	MG RESISTOR	110kΩ 1/10W J	1	
	R29	RK73GB2A101J	MG RESISTOR	100Ω 1/10W J	1	
	R30	RK73GB2A101J	MG RESISTOR	100Ω 1/10W J	1	
	R36	RK73GB2A000J	MG RESISTOR	0Ω 1/10W J	1	
	R37	RK73GB2A000J	MG RESISTOR	0Ω 1/10W J	1	

△

MODEL	MARK	MODEL	MARK
KDC-HD458U	K1	KDC-X498	K0

Safe	Symbol No.	Parts No.	Parts Name	Description	QTY	Local
	R38	RK73GB2A000J	MG RESISTOR	0Ω 1/10W J	1	
	R40	RK73GB2A000J	MG RESISTOR	0Ω 1/10W J	1	
	R42	RK73EB2E000J	MG RESISTOR	0Ω 1/4W J	1	
	R47	RK73EB2E000J	MG RESISTOR	0Ω 1/4W J	1	
	R48	RK73EB2E000J	MG RESISTOR	0Ω 1/4W J	1	
	R50	RK73GB2A131J	MG RESISTOR	130Ω 1/10W J	1	
	CN1	QGF1044F2-24X	CONNECTOR	FFC/FPC (1-24)	1	
	CN2	E41-3488-05	FLAT CABLE CONNECTOR		1	
	S1	S6J-0001-00	PUSH SWITCH		1	
	S2	S6J-0001-00	PUSH SWITCH		1	
	S3	S6J-0002-00	PUSH SWITCH		1	