



# PARTS LIST

## MONITOR WITH DVD RECEIVER

KW-V51BTA  
KW-V51BTEU

KW-V51BTE  
KW-V51BTJ  
KW-V51BTU

KW-V51BTEE  
KW-V51BTJW

## ■ PRECAUTIONS ON SCHEMATIC DIAGRAMS

- Due to the improvement in performance, some part numbers shown in the circuit diagrams may not agree with those indicated in the Parts List.
- The parts numbers, values and rated voltage etc. in the Schematic Diagrams are for reference only.
- Since the circuit diagrams are standard ones, the circuits and circuit constants may be subject to change for improvement without any notice.

## ■ PRECAUTIONS ON PARTS LIST

- The parts identified by the  $\triangle$  symbol are critical for safety. Whenever replacing these parts, be sure to use specified ones to secure the safety.
- The parts not indicated in this Parts List and those which are filled with lines --- in the Parts No. columns will not be supplied.
- P.W. BOARD Ass'y will not be supplied, but those which are filled with the Parts No. in the Parts No. columns will be supplied.
- When ordering chips, screws etc., place bulk orders (unit of tens) whenever possible to improve shipping efficiency.
- There are cases where the actual implemented parts in the sets and the service parts are different. When ordering parts, make sure to refer to the Parts List.

## ■ PRECAUTIONS ON SERVICE

Certain parts of the power circuits and the GNDs differ according to the models. Care must be taken for the following points as the differences are indicated separately in the LIVE GND ( $\downarrow$ ) and the ISOLATED (NEUTRAL) GND ( $\perp$ ).

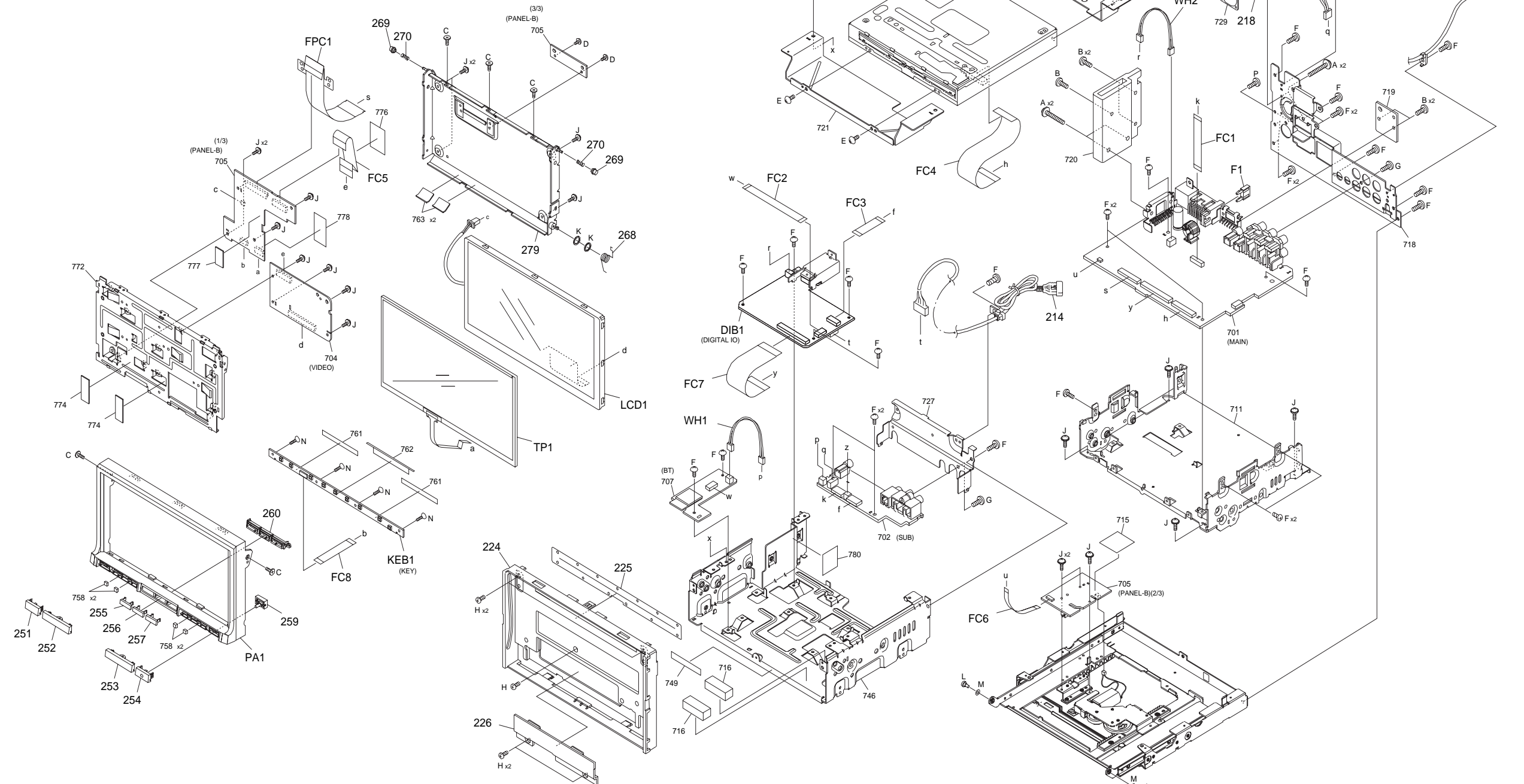
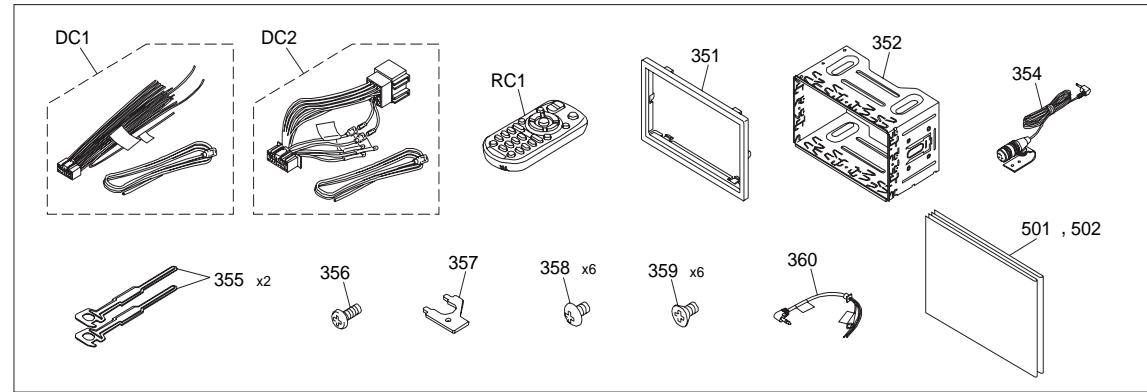
1. Do not touch the LIVE GND, or do not touch the LIVE GND and the ISOLATED (NEUTRAL) GND at the same time. It may cause an electric shock.  
Before pulling out the chassis or other parts, make sure to pull out the power cord from the wall outlet first.
2. Do not short circuit between the LIVE GND and ISOLATED (NEUTRAL) GND, or never measure the LIVE GND and ISOLATED (NEUTRAL) GND at the same time using measuring instruments (oscilloscope, etc.). It may blow fuses or damage other parts.

## ■ DEVIATION TOLERANCE RANGE

DEVIATION TOLERANCE RANGE									
F	G	J	K	M	N	R	H	Z	P
$\pm 1\%$	$\pm 2\%$	$\pm 5\%$	$\pm 10\%$	$\pm 20\%$	$\pm 30\%$	+30% -10%	+50% -10%	+80% -20%	+100% -0%

# EXPLODED VIEW (UNIT)

Block No.M1MM



Parts with the exploded numbers larger than 700 are not supplied.

MODEL	MARK	MODEL	MARK	MODEL	MARK	MODEL	MARK
KW-V51BTJ	A	KW-V51BTU	B	KW-V51BTA	C	KW-V51BTE	D
KW-V51BTJW	E	KW-V51BTEE	F	KW-V51BTEU	G		

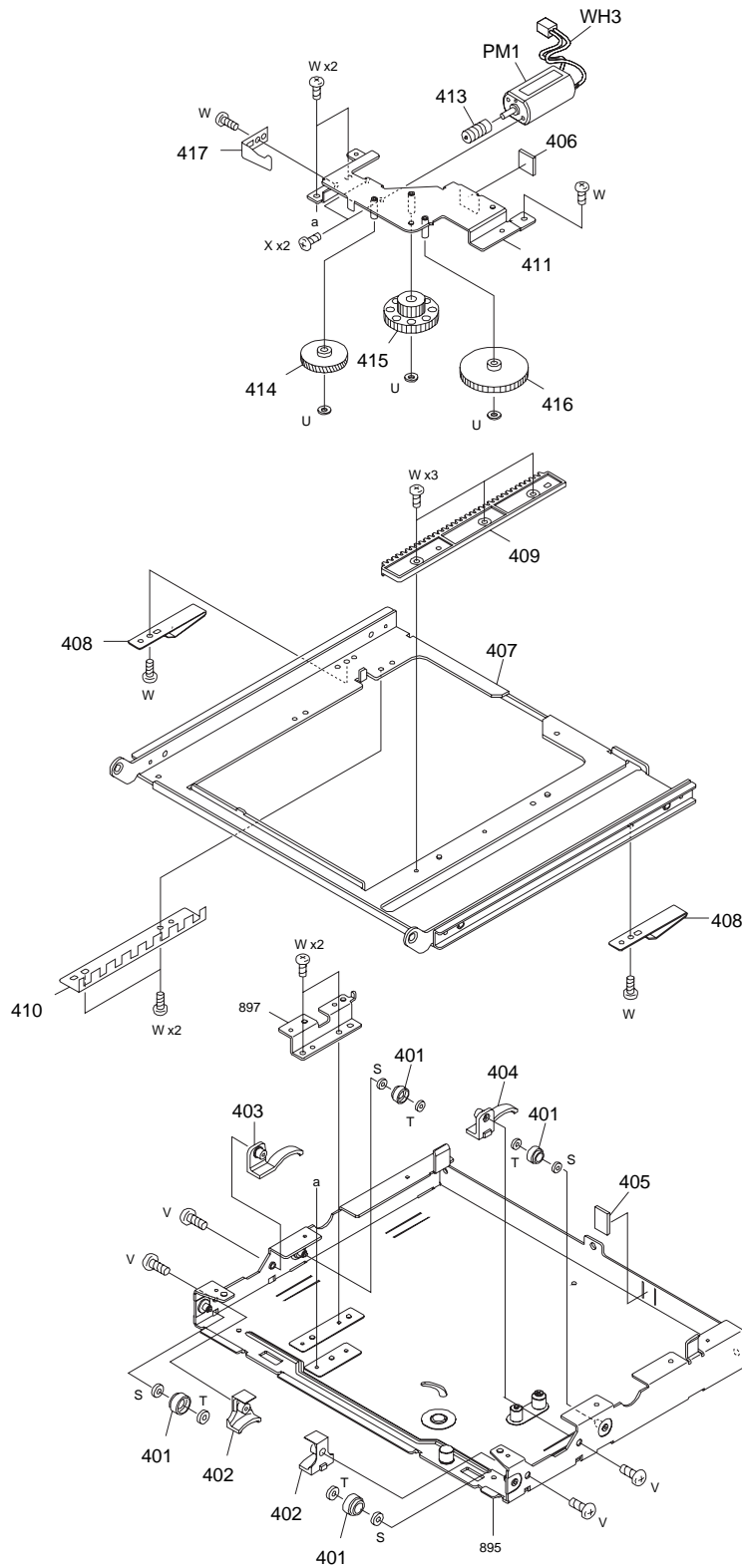
Safe	Symbol No.	Parts No.	Parts Name	Description	QTY	Local
------	------------	-----------	------------	-------------	-----	-------

EXPLODED VIEW (UNIT) <M1MM>

△	DC1	QAM1561-001	DC CORD		1	A,B,C,E,G
△	DC2	QAM1562-001	DC CORD		1	D,F
	DIB1	CB-15KWVCM1D	DIGITAL IO PWB ASSY		1	
			Y			
△	F1	FZB10AU-100	BLADE FUSE	10A	1	
	FC1	QUQY05-2005AC-E	FFC WIRE	20pin 5cm	1	
	FC2	QUQY05-15Y0AC-E	FFC WIRE	15pin 10.5cm	1	
	FC3	QUQY05-2004AC-E	FFC WIRE	20pin 4cm	1	
	FC4	QUQY05-4013BC-E	FFC WIRE	40pin 13cm	1	
	FC5	QUQY05-3005BC-E	FFC WIRE	30pin 5cm	1	
	FC6	QUQY05-08X3BC-E	FFC WIRE	8pin 3.5cm	1	
	FC7	QUQY05-60X7BC-E	FFC WIRE	60pin 7.5cm	1	
	FC8	WJT0343-001A-E	E-CARD WIRE		1	
	FPC1	QAL1376-001	FPC		1	
	KEB1	CB-14KWVKEYD	KEY PWB ASSY		1	
	LCD1	B3H-0015-10	LCD		1	
	PA1	LV11743-030A	FRONT PANEL		1	
	RC1	A7A-0006-00	REMOCON UNIT		1	A,B,C,E,G
	TP1	W0C-0062-10	TOUCH PANEL		1	
	VME1	FD2-2C10NXN	DVD MECHANISM		1	
	WH1	WJJ1272-001A-E	E-SI C WIRE C-C		1	
	WH2	WJJ1273-001A-E	E-SI C WIRE C-C		1	
	A	QYSDST2616ZA	TAP SCREW	M2.6 x 16mm	4	
	B	QYSDST2610ZA	TAP SCREW	M2.6 x 10mm	5	
	C	LV45701-003A	SPECIAL SCREW		5	
	D	LV45701-001A	SPECIAL SCREW		2	
	E	LV45552-003A	SPECIAL SCREW		4	
	F	LV44800-005A	SPECIAL SCREW		32	
	G	QYSDSF3010ZA	TAP SCREW	M3 x 10mm	2	
	H	QYSDST2006MA	TAP SCREW	M2 x 6mm	5	
	J	LV44615-003A	SPECIAL SCREW		19	
	K	QYWFM628050	WASHER	8mm/6.2mm x 0.5mm	2	
	L	N0Z-0021-01	SPECIAL SCREW		2	
	M	LV45039-001A	WAVE WASHER		2	
	N	LV44464-001A	SPECIAL SCREW		4	
	P	LV44800-005A	SPECIAL SCREW		1	A
	213	QAM1565-001	CAR CABLE		1	
	214	QAM1417-002	CAR CABLE		1	A,C,E
	214	QAM1520-001	USB CABLE		1	B,D,F,G
△	218	QAR0560-001	COOLING FAN		1	
	224	LV11908-016A	FRONT CHASSIS		1	A
	224	LV11908-004A	FRONT CHASSIS		1	B,C,D,E,F,G
	225	LV3A421-001A	BLIND		1	
	226	LV22941-001A	FPC GUIDE		1	
	251	LV3A345-001A	REMOTE LENS		1	
	252	LV39134-005A	BUTTON L2		1	
	253	LV39136-008A	BUTTON R2		1	
	254	LV39963-001A	BUTTON COVER		1	
	255	LV39130-007A	BUTTON TOP(L)		1	
	256	LV39131-005A	BUTTON TOP(C)		1	
	257	LV39132-008A	BUTTON TOP(R)		1	
	259	LV39962-001A	RESET BUTTON		1	
	260	LV22885-002A	BUTTON BASE		1	
	268	LV44471-003A	TOR.COIL SPRING		1	
	269	LV44469-001A	ROLLER		2	
	270	LV44468-002A	SPRING		2	
	279	LV39961-002A	F.BKT ASSY		1	
	351	B07-3369-11	ESCUTCHEON		1	D,E,F
	352	LV22876-001A	SLEEVE ASSY		1	D,E,F
	354	QAN0137-001	MICROPHONE		1	
	355	LV45516-001A	LEVER		2	D,E,F
	356	LV44800-005A	SPECIAL SCREW		1	
	357	LV45891-001A	HDMI COVER		1	
	358	N34-5006-48	TR.HEAD M.SCREW		6	A,B,C,E,G
	359	N32-5007-48	MACHINE SCREW		6	A,B,C,E,G
	360	QAM1419-001	CAR CABLE		1	G
	501	B5A-0378-00	INST.MANUAL	ENG FRE SPA	1	A,E
	501	B5A-0382-00	INST.MANUAL	ENG CHI(TAIWAN) THA	1	B
	501	B5A-0384-00	INST.MANUAL	ENG	1	C
	501	B5A-0379-00	INST.MANUAL	ENG FRE GER DUT	1	D
	501	B5A-0380-00	INST.MANUAL	RUS UKR	1	F
	501	B5A-0381-00	INST.MANUAL	ENG FRE RUS	1	G
	502	B5A-0379-01	INST.MANUAL	SPA ITA POR(EUROPE) SWE	1	D
	502	B5A-0378-01	INST.MANUAL	POR(LATIN AMERICA)	1	E
	502	B5A-0381-01	INST.MANUAL	PER TUR ARA	1	G

# EXPLODED VIEW (PANEL MECHA ASSY)

Block No.M2MM



Parts with the exploded numbers larger than 800 are not supplied.

MODEL	MARK	MODEL	MARK	MODEL	MARK	MODEL	MARK
KW-V51BTJ	A	KW-V51BTU	B	KW-V51BTA	C	KW-V51BTE	D
KW-V51BTJW	E	KW-V51BTEE	F	KW-V51BTEU	G		

Safe	Symbol No.	Parts No.	Parts Name	Description	QTY	Local
------	------------	-----------	------------	-------------	-----	-------

EXPLODED VIEW (PANEL MECHA ASSY) <M2MM>

PM1	QAR0378-002	FEED MOTOR			1	
WH3	WJM0460-001A-E	E-SI C WIRE C-F			1	
S	QYWFM315013	WASHER	5mm/3.1mm x 0.13mm		4	
T	QYWDL164035	SLIT WASHER	4mm/1.6mm x 0.35mm		4	
U	QYWDM215025	SLIT WASHER	5mm/2.1mm x 0.25mm		3	
V	QYSPSFT1745ZA	TAP SCREW	M1.7 x 4.5mm		4	
W	NOZ-0020-00	SPECIAL SCREW			13	
X	QYSPSPT2020ZA	SCREW	M2 x 2mm		2	
401	LV44666-003A	ROLLER(SLD)			4	
402	LV36940-002A	RAIL GUIDE			2	
403	LV37308-001A	GUIDE SPRING(L)			1	
404	LV37309-001A	GUIDE SPRING(R)			1	
405	LV40846-060A	SPACER(F)			1	
406	LV40846-057A	SPACER(F)			1	
407	LV36514-013A	DRIVE PLATE ASS			1	
408	LV44453-004A	FRICTION SPRING			2	
409	LV36516-001A	RACK GEAR			1	
410	LV36517-003A	PHOTO PLATE			1	
411	LV36509-003A	DR.CHASSIS ASSY			1	
413	LV44451-001A	WORM GEAR			1	
414	LV36511-001A	SECOND GEAR			1	
415	LV36512-001A	THIRD GEAR			1	
416	LV36513-001A	FORTH GEAR			1	
417	LV44452-001A	SPRING(WORM)			1	



MODEL	MARK	MODEL	MARK	MODEL	MARK	MODEL	MARK
KW-V51BTJ	A	KW-V51BTU	B	KW-V51BTA	C	KW-V51BTE	D
KW-V51BTJW	E	KW-V51BTEE	F	KW-V51BTEU	G		

Safe	Symbol No.	Parts No.	Parts Name	Description	QTY	Local
------	------------	-----------	------------	-------------	-----	-------

EXPLODED VIEW (DVD MECHANISM: FD2-2C10NXN) <MJMM>

VM1	CM-FD2-ALM	LOADING M ASSY			1	
VT1	CM-FD2-ATM2	TM ASSY			1	
A	LV44959-002A	SPECIAL SCREW			16	
B	LV45727-001A	GEAR SCREW			2	
C	QYSPSPU1425MA	SCREW	M1.4 x 2.5mm		2	
D	VKZ4539-054	MINI SCREW			3	
F	LV44586-001A	SPECIAL SCREW			1	
4	LV45709-002A	CLAMP SPRING			1	
7	LV23006-002A	GUIDE 2 L			1	
8	LV23007-002A	GUIDE 2 R			1	
9	LV11842-004A	DISC GUIDE			1	
14	LV45704-001A	DAMPER SHAFT			4	
15	LV45724-001A	RUBBER ROLLER			2	
17	LV37652-002A	SHAFT GUIDE			1	
18	LV39938-001A	GEAR RETAINER			1	
19	LV45730-001A	ROLLER C WASHER			1	
20	CM-FD2-AROS	RO SHAFT ASSY			1	
21	LV45731-001A	ROLLER WASHER			1	
22	LV45718-001A	ROLLER RETAINER			1	
23	LV23003-002A	ROLLER HOLDER			1	
24	LV45713-001A	ROLLER SPRING R			1	
26	LV39932-002A	TRIGGER SLIDER			1	
27	LV45715-001A	TRIGGER SPRING			1	
28	LV23004-003A	SLIDER			1	
29	LV39935-002A	SLIDER SPRING			1	
31	LV39929-001A	DRIVE GEAR 4			1	
32	LV39928-001A	DRIVE GEAR 3			3	
33	LV39927-001A	DRIVE GEAR 2			1	
34	LV39926-001A	DRIVE GEAR 1			1	
35	LV23005-001A	GEAR HOLDER			1	
36	LV39923-002A	UD LEVER			1	
37	LV45712-003A	ROLLER SPRING L			1	
38	LV39934-001A	DAMPER			4	
39	LV45719-001A	PU FPC SHEET			1	

MODEL	MARK	MODEL	MARK	MODEL	MARK	MODEL	MARK
KW-V51BTJ	A	KW-V51BTU	B	KW-V51BTA	C	KW-V51BTE	D
KW-V51BTJW	E	KW-V51BTEE	F	KW-V51BTEU	G		

Safe	Symbol No.	Parts No.	Parts Name	Description	QTY	Local
<b>MAIN PWB ASSY (LVA11285-xxA) &lt;01&gt;</b>						
	IC1	LV5680NPVC	IC		1	
	IC111	TPS54240-X	ANALOG IC		1	
	IC112	TC7SZ125FUF	MOS IC		1	
	IC131	BD9876AEFJ-X	IC		1	
	IC151	LM3481MMX-X	IC		1	
	IC201	JCV8031	IC		1	
	IC301	TDA7715	IC		1	
	IC401	TEF6642HW	IC		1	
	IC402	BU12TD3WG-W	IC		1	
	IC501	W3F-0040-00	MCU IC		1	
	IC502	BU4824F-W	IC		1	
	IC503	R1EX24008ATAA-X	IC		1	
	IC591	XC6223B331PG-X	IC		1	
	IC592	XC6201P502PR-X	IC		1	
	IC601	XC6201P502PR-X	IC		1	
	IC624	74AHC1G08GW-X	IC		1	
	IC651	XC6201P502PR-X	IC		1	
	IC652	XC6503D331PG-X	IC		1	
	IC711	TC7SET08FU-J-X	IC(DIGITAL)		1	A
	IC721	TC7SH17FU-X	IC(DIGITAL)		1	A
	IC791	BA6956AN	IC		1	
	IC851	MM3423DHE	ANALOG IC		1	
	Q31	LSCR523EBFS8	TRANSISTOR		1	
	Q32	LSCR523EBFS8	TRANSISTOR		1	
	Q41	LSCR523EBFS8	TRANSISTOR		1	
	Q51	LSCR523EBFS8	TRANSISTOR		1	
	Q101	MTM98140-X	TRANSISTOR		1	
	Q102	LTA014EEBFS8	DIGI TRANSISTOR		1	
	Q103	LTA014EEBFS8	DIGI TRANSISTOR		1	
	Q104	LTC014EEBFS8	DIGI TRANSISTOR		1	
	Q105	LTC044EEBFS8	DIGI TRANSISTOR		1	
	Q111	LTC014YEBFS8	DIGI TRANSISTOR		1	
	Q113	LSCR523EBFS8	TRANSISTOR		1	
	Q131	LTC014EEBFS8	DIGI TRANSISTOR		1	
	Q151	RTQ035N03-W	MOS FET		1	
	Q251	LTC014YEBFS8	DIGI TRANSISTOR		1	
	Q252	LTA043ZEBFS8	DIGI TRANSISTOR		1	
	Q255	LTC014YEBFS8	DIGI TRANSISTOR		1	
	Q256	LTA043ZEBFS8	DIGI TRANSISTOR		1	
	Q261	LTC043TEB-X	DIGI TRANSISTOR		1	
	Q262	LTC043TEB-X	DIGI TRANSISTOR		1	
	Q263	LTC043TEB-X	DIGI TRANSISTOR		1	
	Q264	LTC043TEB-X	DIGI TRANSISTOR		1	
	Q265	LTC043TEB-X	DIGI TRANSISTOR		1	
	Q292	LTA043ZEBFS8	DIGI TRANSISTOR		1	
	Q293	LTC043TEB-X	DIGI TRANSISTOR		1	
	Q294	LTC043TEB-X	DIGI TRANSISTOR		1	
	Q511	LTA014EEBFS8	DIGI TRANSISTOR		1	
	Q512	DSC5001/R/	TRANSISTOR		1	
	Q521	2SA812/5-6/-X	TRANSISTOR		1	
	Q591	RE1C002ZP-X	MOS FET		1	
	Q592	LTC044EEBFS8	DIGI TRANSISTOR		1	
	Q670	LTA014YEB-X	DIGI TRANSISTOR		1	
	Q671	LTC043TEB-X	DIGI TRANSISTOR		1	
	Q672	LTC043TEB-X	DIGI TRANSISTOR		1	
	Q761	RE1C002ZP-X	MOS FET		1	B,C,G
	Q762	LTC014YEBFS8	DIGI TRANSISTOR		1	B,C,G
	Q771	RE1C002ZP-X	MOS FET		1	B,C,G
	Q791	LTC014YEBFS8	DIGI TRANSISTOR		1	
	Q851	2SB1689-X	TRANSISTOR		1	
	Q852	LTC014YEBFS8	DIGI TRANSISTOR		1	
	D1	1N5402-BPC04	DIODE		1	
	D2	GS1J-LTP-X	SI DIODE		1	
	D31	DZ2J056M	ZENER DIODE		1	
	D32	DZ2J068M	ZENER DIODE		1	
	D41	DZ2J062M	ZENER DIODE		1	
	D71	DZ2J062M	ZENER DIODE		1	
	D81	MBRX130	SCHOTTKY DIODE		1	
	D82	MBRX130	SCHOTTKY DIODE		1	A,B,C,E,G
	D83	MBRX130	SCHOTTKY DIODE		1	
	D84	MBRX130	SCHOTTKY DIODE		1	A,B,C,E,G
	D101	DZ2J180M	ZENER DIODE		1	
	D111	RB080L-30-X	SB DIODE		1	
	D112	RB080L-30-X	SB DIODE		1	
	D141	RB051L-40	SCHOTTKY DIODE		1	
	D142	DZ2J062M	ZENER DIODE		1	
	D161	RB160L-40	SCHOTTKY DIODE		1	
	D162	RB521S-30	SCHOTTKY DIODE		1	
	D163	RB521S-30	SCHOTTKY DIODE		1	
	D164	RB521S-30	SCHOTTKY DIODE		1	
	D241	DAP202U-X	SI DIODE		1	
	D251	DAP202U-X	SI DIODE		1	
	D255	DAP202U-X	SI DIODE		1	
	D291	DAP202U-X	SI DIODE		1	
	D301	DAP202U-X	SI DIODE		1	
	D302	DAP202U-X	SI DIODE		1	
	D303	DAP202U-X	SI DIODE		1	
	D312	DA2J101	DIODE		1	
	D402	RN731V	DIODE		1	
	D403	RN731V	DIODE		1	

MODEL	MARK	MODEL	MARK	MODEL	MARK	MODEL	MARK
KW-V51BTJ	A	KW-V51BTU	B	KW-V51BTA	C	KW-V51BTE	D
KW-V51BTJW	E	KW-V51BTEE	F	KW-V51BTEU	G		

Safe	Symbol No.	Parts No.	Parts Name	Description	QTY	Local
	D511	DA2J101	DIODE		1	
	D512	DAP202U-X	SI DIODE		1	
	D591	GS1J-LTP-X	SI DIODE		1	
	D651	GS1J-LTP-X	SI DIODE		1	
	D761	DA2J101	DIODE		1	B,C,G
	D771	DA2J101	DIODE		1	B,C,G
	D791	MBRX130	SCHOTTKY DIODE		1	
	D792	DZ2J056M	ZENER DIODE		1	
	C1	QE20934-338	E CAPACITOR	3300uF	1	
	C11	CD04CZ1E101M	E CAPACITOR	100uF 25V M	1	
	C12	CK73HBB1E103K	C CAPACITOR	0.01uF 25V K	1	
	C13	CD04AS1C470M	E CAPACITOR	47uF 16V M	1	
	C14	CD04AS1C470M	E CAPACITOR	47uF 16V M	1	
	C15	QETN1CM-107Z	E CAPACITOR	100uF 16V M	1	
	C16	QETN1CM-227Z	E CAPACITOR	220uF 16V M	1	
	C18	CK730BY1E106K	C CAPACITOR	10uF 25V K	1	A,B,C,E,G
	C19	CK730BY1E106K	C CAPACITOR	10uF 25V K	1	
	C21	NCB31HK-104X	C CAPACITOR	0.1uF 50V K	1	
	C23	NCB31CK-105X	C CAPACITOR	1uF 16V K	1	
	C24	NCB31HK-104X	C CAPACITOR	0.1uF 50V K	1	
	C25	CK73GBB1C224K	C CAPACITOR	0.22uF 16V K	1	
	C26	CK73HBB1A104K	C CAPACITOR	0.1uF 10V K	1	
	C41	CK73FBB1E474K	C CAPACITOR	0.47uF 25V K	1	
	C51	CK73HBB1E103K	C CAPACITOR	0.01uF 25V K	1	
	C52	CK730BS0J105K	C CAPACITOR	1uF 6.3V K	1	
	C101	NCB21HK-334X	C CAPACITOR	0.33uF 50V K	1	
	C102	CK73HBB1E103K	C CAPACITOR	0.01uF 25V K	1	
	C111	QETN1EM-227Z	E CAPACITOR	220uF 25V M	1	
	C112	NCB31HK-104X	C CAPACITOR	0.1uF 50V K	1	
	C113	CK73HBB1E103K	C CAPACITOR	0.01uF 25V K	1	
	C114	CK730BY1E106K	C CAPACITOR	10uF 25V K	1	
	C115	CK730BY1E106K	C CAPACITOR	10uF 25V K	1	
	C116	NCB31HK-104X	C CAPACITOR	0.1uF 50V K	1	
	C117	CK73HBB1E103K	C CAPACITOR	0.01uF 25V K	1	
	C118	NCB31HK-104X	C CAPACITOR	0.1uF 50V K	1	
	C120	CK730BW0J226M	C CAPACITOR	22uF 6.3V M	1	
	C121	CK73HBB1A104K	C CAPACITOR	0.1uF 10V K	1	
	C122	CK73HBB1E103K	C CAPACITOR	0.01uF 25V K	1	
	C123	QE20852-337Z	E CAPACITOR	330uF	1	
	C124	CK73HBB1E103K	C CAPACITOR	0.01uF 25V K	1	
	C125	CK73HBB1A104K	C CAPACITOR	0.1uF 10V K	1	
	C127	CK73HBB1H332K	C CAPACITOR	3300pF 50V K	1	
	C132	CK730BY1E106K	C CAPACITOR	10uF 25V K	1	
	C138	NCB31HK-104X	C CAPACITOR	0.1uF 50V K	1	
	C141	QE20852-337Z	E CAPACITOR	330uF	1	
	C144	CK730BW1C106K	C CAPACITOR	10uF 16V K	1	
	C145	CK73HBB1H102K	C CAPACITOR	1000pF 50V K	1	
	C146	CK73HBB1H682K	C CAPACITOR	6800pF 50V K	1	
	C151	CK730BY1E106K	C CAPACITOR	10uF 25V K	1	
	C152	CK730BY1E106K	C CAPACITOR	10uF 25V K	1	
	C153	CK73HBB1H102K	C CAPACITOR	1000pF 50V K	1	
	C154	CK73GBB1H103K	C CAPACITOR	0.01uF 50V K	1	
	C155	CK73HBB1H681K	C CAPACITOR	680pF 50V K	1	
	C161	CD04CZ1E101M	E CAPACITOR	100uF 25V M	1	
	C162	CD04AZ1H220M	E CAPACITOR	22uF 50V M	1	
	C163	CK730BY1E106K	C CAPACITOR	10uF 25V K	1	
	C164	CK73HBB1H821K	C CAPACITOR	820pF 50V K	1	
	C165	NCB31HK-104X	C CAPACITOR	0.1uF 50V K	1	
	C166	CK73FBB1H224K	C CAPACITOR	0.22uF 50V K	1	
	C200	CD04BR1C330M	E CAPACITOR	33uF 16V M	1	
	C201	CK73GBB1C224K	C CAPACITOR	0.22uF 16V K	1	
	C202	CK73GBB1C224K	C CAPACITOR	0.22uF 16V K	1	
	C203	CK73GBB1C224K	C CAPACITOR	0.22uF 16V K	1	
	C204	CK73GBB1C224K	C CAPACITOR	0.22uF 16V K	1	
	C206	NCB31CK-105X	C CAPACITOR	1uF 16V K	1	
	C221	CK73HBB1H221K	C CAPACITOR	220pF 50V K	1	
	C222	CK73HBB1H221K	C CAPACITOR	220pF 50V K	1	
	C223	CK73HBB1H221K	C CAPACITOR	220pF 50V K	1	
	C224	CK73HBB1H221K	C CAPACITOR	220pF 50V K	1	
	C225	CK73HBB1H221K	C CAPACITOR	220pF 50V K	1	
	C226	CK73HBB1H221K	C CAPACITOR	220pF 50V K	1	
	C227	CK73HBB1H221K	C CAPACITOR	220pF 50V K	1	
	C228	CK73HBB1H221K	C CAPACITOR	220pF 50V K	1	
	C241	NCB31CK-105X	C CAPACITOR	1uF 16V K	1	
	C245	NCB31CK-105X	C CAPACITOR	1uF 16V K	1	
	C251	CK730DK1E106K	C CAPACITOR	10uF 25V K	1	
	C252	CK730DK1E106K	C CAPACITOR	10uF 25V K	1	
	C253	CK730DK1E106K	C CAPACITOR	10uF 25V K	1	
	C254	CK730DK1E106K	C CAPACITOR	10uF 25V K	1	
	C255	CK730DK1E106K	C CAPACITOR	10uF 25V K	1	
	C271	CK73HBB1H102K	C CAPACITOR	1000pF 50V K	1	
	C272	CK73HBB1H102K	C CAPACITOR	1000pF 50V K	1	
	C273	CK73HBB1H102K	C CAPACITOR	1000pF 50V K	1	
	C274	CK73HBB1H102K	C CAPACITOR	1000pF 50V K	1	
	C275	CK73HBB1H102K	C CAPACITOR	1000pF 50V K	1	
	C291	CK730DK1E106K	C CAPACITOR	10uF 25V K	1	
	C292	CK730DK1E106K	C CAPACITOR	10uF 25V K	1	
	C295	CK73GBB1H102K	C CAPACITOR	1000pF 50V K	1	
	C296	CK73GBB1H102K	C CAPACITOR	1000pF 50V K	1	
	C301	CD04AS1C470M	E CAPACITOR	47uF 16V M	1	

MODEL	MARK	MODEL	MARK	MODEL	MARK	MODEL	MARK
KW-V51BTJ	A	KW-V51BTU	B	KW-V51BTA	C	KW-V51BTE	D
KW-V51BTJW	E	KW-V51BTEE	F	KW-V51BTEU	G		

Safe	Symbol No.	Parts No.	Parts Name	Description	QTY	Local
	C302	CK73HBB1E103K	C CAPACITOR	0.01uF 25V K	1	
	C303	CK73HBB1E103K	C CAPACITOR	0.01uF 25V K	1	
	C304	CD04AS1C470M	E CAPACITOR	47uF 16V M	1	
	C305	NCB31CK-105X	C CAPACITOR	1uF 16V K	1	
	C306	NCB31CK-105X	C CAPACITOR	1uF 16V K	1	
	C307	CK730AU0J474K	C CAPACITOR	0.47uF 6.3V K	1	
	C308	NCB31CK-105X	C CAPACITOR	1uF 16V K	1	
	C309	CK730AU0J474K	C CAPACITOR	0.47uF 6.3V K	1	
	C313	CK730BU0J475K	C CAPACITOR	4.7uF 6.3V K	1	
	C314	CK730BU0J475K	C CAPACITOR	4.7uF 6.3V K	1	
	C315	NCB31CK-105X	C CAPACITOR	1uF 16V K	1	
	C316	NCB31CK-105X	C CAPACITOR	1uF 16V K	1	
	C401	CC73GCH1H220J	C CAPACITOR	22pF 50V J	1	
	C402	CC73GCH1H060D	C CAPACITOR	6pF 50V D	1	
	C406	CK73GBB1H102K	C CAPACITOR	1000pF 50V K	1	
	C407	CK73GBB1H102K	C CAPACITOR	1000pF 50V K	1	
	C411	CC73GCH1H470J	C CAPACITOR	47pF 50V J	1	
	C412	CC73GCH1H030C	C CAPACITOR	3pF 50V C	1	
	C415	CK73GBB1H222K	C CAPACITOR	2200pF 50V K	1	
	C416	CC73GCH1H150J	C CAPACITOR	15pF 50V J	1	
	C417	CC73GCH1H060D	C CAPACITOR	6pF 50V D	1	
	C418	CC73GCH1H120J	C CAPACITOR	12pF 50V J	1	
	C419	CC73GCH1H080D	C CAPACITOR	8pF 50V D	1	
	C420	CC73GCH1H120J	C CAPACITOR	12pF 50V J	1	
	C421	CC73GCH1H080D	C CAPACITOR	8pF 50V D	1	
	C422	CC73GCH1H471J	C CAPACITOR	470pF 50V J	1	
	C423	NCB31HK-104X	C CAPACITOR	0.1uF 50V K	1	
	C424	CK73GBB1H102K	C CAPACITOR	1000pF 50V K	1	
	C425	CK73GBB1H102K	C CAPACITOR	1000pF 50V K	1	
	C426	NCB31CK-105X	C CAPACITOR	1uF 16V K	1	
	C427	CK730BW1C106K	C CAPACITOR	10uF 16V K	1	
	C428	CK73GBB1C224K	C CAPACITOR	0.22uF 16V K	1	
	C429	CK73HBB1H332K	C CAPACITOR	3300pF 50V K	1	
	C430	CK730BW1C106K	C CAPACITOR	10uF 16V K	1	
	C432	CK73GBB1H103K	C CAPACITOR	0.01uF 50V K	1	
	C433	CK73GBB1H682K	C CAPACITOR	6800pF 50V K	1	
	C434	CK73GBB1H103K	C CAPACITOR	0.01uF 50V K	1	
	C435	CK73GBB1H682K	C CAPACITOR	6800pF 50V K	1	
	C436	CK73HBB1A104K	C CAPACITOR	0.1uF 10V K	1	
	C437	CK730BW1C106K	C CAPACITOR	10uF 16V K	1	
	C439	CK730BU0J475K	C CAPACITOR	4.7uF 6.3V K	1	
	C440	NCB31CK-105X	C CAPACITOR	1uF 16V K	1	
	C441	NCB31CK-105X	C CAPACITOR	1uF 16V K	1	
	C444	CC73GCH1H221J	C CAPACITOR	220pF 50V J	1	
	C445	NCB31HK-104X	C CAPACITOR	0.1uF 50V K	1	
	C446	NCB31HK-104X	C CAPACITOR	0.1uF 50V K	1	
	C449	CK730BW1C106K	C CAPACITOR	10uF 16V K	1	
	C451	NCB31CK-105X	C CAPACITOR	1uF 16V K	1	
	C452	NCB31CK-105X	C CAPACITOR	1uF 16V K	1	
	C453	NCB31HK-104X	C CAPACITOR	0.1uF 50V K	1	
	C460	NCB31CK-105X	C CAPACITOR	1uF 16V K	1	
	C461	CK730BW1C106K	C CAPACITOR	10uF 16V K	1	
	C484	CK73HBB1A104K	C CAPACITOR	0.1uF 10V K	1	
	C485	CK73HBB1E103K	C CAPACITOR	0.01uF 25V K	1	
	C501	QETN1CM-227Z	E CAPACITOR	220uF 16V M	1	
	C503	NCB20JK-106X	C CAPACITOR	10uF 6.3V K	1	
	C504	CK73HBB1H222K	C CAPACITOR	2200pF 50V K	1	
	C505	NCB31CK-105X	C CAPACITOR	1uF 16V K	1	
	C506	NCB31CK-105X	C CAPACITOR	1uF 16V K	1	
	C507	CK73HBB1A104K	C CAPACITOR	0.1uF 10V K	1	
	C508	CK73HBB1A104K	C CAPACITOR	0.1uF 10V K	1	
	C509	NCB31HK-104X	C CAPACITOR	0.1uF 50V K	1	
	C510	CK73HBB1E103K	C CAPACITOR	0.01uF 25V K	1	
	C520	CK73HBB1E103K	C CAPACITOR	0.01uF 25V K	1	
	C521	CK73HBB1E103K	C CAPACITOR	0.01uF 25V K	1	
	C522	CK73HBB1E103K	C CAPACITOR	0.01uF 25V K	1	
	C523	CK73HBB1E103K	C CAPACITOR	0.01uF 25V K	1	
	C524	CK73HBB1E103K	C CAPACITOR	0.01uF 25V K	1	
	C525	CK73HBB1E103K	C CAPACITOR	0.01uF 25V K	1	
	C527	CK73HBB1E103K	C CAPACITOR	0.01uF 25V K	1	
	C530	CK73HBB1E103K	C CAPACITOR	0.01uF 25V K	1	
	C531	CK73HBB1E103K	C CAPACITOR	0.01uF 25V K	1	
	C532	CK73HBB1E103K	C CAPACITOR	0.01uF 25V K	1	
	C533	CK73HBB1E103K	C CAPACITOR	0.01uF 25V K	1	
	C534	CK73HBB1E103K	C CAPACITOR	0.01uF 25V K	1	
	C535	CK73HBB1E103K	C CAPACITOR	0.01uF 25V K	1	
	C536	CK73HBB1E103K	C CAPACITOR	0.01uF 25V K	1	
	C537	CK73HBB1E103K	C CAPACITOR	0.01uF 25V K	1	
	C541	NCB31CK-105X	C CAPACITOR	1uF 16V K	1	
	C542	CK73HBB1E103K	C CAPACITOR	0.01uF 25V K	1	
	C544	CK73HBB1H102K	C CAPACITOR	1000pF 50V K	1	
	C551	CC73HCH1H100D	C CAPACITOR	10pF 50V D	1	
	C552	CC73HCH1H100D	C CAPACITOR	10pF 50V D	1	
	C561	CC73GCH1H220J	C CAPACITOR	22pF 50V J	1	
	C562	CC73GCH1H220J	C CAPACITOR	22pF 50V J	1	
	C571	CK73HBB1E103K	C CAPACITOR	0.01uF 25V K	1	
	C591	QETN1CM-107Z	E CAPACITOR	100uF 16V M	1	
	C592	NCB20JK-106X	C CAPACITOR	10uF 6.3V K	1	
	C594	NCB31CK-105X	C CAPACITOR	1uF 16V K	1	
	C595	NCB31CK-105X	C CAPACITOR	1uF 16V K	1	
	C601	NCB31CK-105X	C CAPACITOR	1uF 16V K	1	
	C602	NCB31CK-105X	C CAPACITOR	1uF 16V K	1	

MODEL	MARK	MODEL	MARK	MODEL	MARK	MODEL	MARK
KW-V51BTJ	A	KW-V51BTU	B	KW-V51BTA	C	KW-V51BTE	D
KW-V51BTJW	E	KW-V51BTEE	F	KW-V51BTEU	G		

Safe	Symbol No.	Parts No.	Parts Name	Description	QTY	Local
	C624	CK73HBB1E103K	C CAPACITOR	0.01uF 25V K	1	
	C651	CK73HBB1E103K	C CAPACITOR	0.01uF 25V K	1	
	C652	CK73HBB1A104K	C CAPACITOR	0.1uF 10V K	1	
	C653	CK730BU0J106M	C CAPACITOR	10uF 6.3V M	1	
	C654	NCB31CK-105X	C CAPACITOR	1uF 16V K	1	
	C655	NCB31CK-105X	C CAPACITOR	1uF 16V K	1	
	C656	NCB31CK-105X	C CAPACITOR	1uF 16V K	1	
	C657	NCB31CK-105X	C CAPACITOR	1uF 16V K	1	
	C658	CK730BU0J106M	C CAPACITOR	10uF 6.3V M	1	
	C671	CK730BU0J106M	C CAPACITOR	10uF 6.3V M	1	
	C672	CK730BU0J106M	C CAPACITOR	10uF 6.3V M	1	
	C694	CC73HCH1H102J	C CAPACITOR	1000pF 50V J	1	
	C695	CK73GBB1H103K	C CAPACITOR	0.01uF 50V K	1	
	C701	NCB31CK-105X	C CAPACITOR	1uF 16V K	1	A
	C702	NCB31CK-105X	C CAPACITOR	1uF 16V K	1	A
	C703	CK730BU0J106M	C CAPACITOR	10uF 6.3V M	1	A
	C711	CK73HBB1C104K	C CAPACITOR	0.1uF 16V K	1	A
	C721	CK73HBB1C104K	C CAPACITOR	0.1uF 16V K	1	A
	C761	CK73HBB1H102K	C CAPACITOR	1000pF 50V K	1	B,C,G
	C791	QETN1CM-107Z	E CAPACITOR	100uF 16V M	1	
	C851	NCB31CK-105X	C CAPACITOR	1uF 16V K	1	
	C852	NCB31CK-105X	C CAPACITOR	1uF 16V K	1	
	C853	CK73GBB1H103K	C CAPACITOR	0.01uF 50V K	1	
	C854	NCB31HK-104X	C CAPACITOR	0.1uF 50V K	1	
	C855	CK730BU0J106M	C CAPACITOR	10uF 6.3V M	1	
	C864	NCB31CK-105X	C CAPACITOR	1uF 16V K	1	
	C2021	CC73HCH1H030C	C CAPACITOR	3pF 50V C	1	
	C2022	CC73HCH1H070D	C CAPACITOR	7pF 50V D	1	
	C2023	CC73HCH1H100D	C CAPACITOR	10pF 50V D	1	
	R11	RK73GH2A562D	MG RESISTOR	5.6kΩ 1/10W D	1	
	R12	RK73GH2A431D	MG RESISTOR	430Ω 1/10W D	1	
	R13	RK73GH2A751D	MG RESISTOR	750Ω 1/10W D	1	
	R15	RK73GH2A273D	MG RESISTOR	27kΩ 1/10W D	1	
	R16	RK73GB2A000J	MG RESISTOR	0Ω 1/10W J	1	
	R17	RK73GH2A472D	MG RESISTOR	4.7kΩ 1/10W D	1	
	R18	RK73HB1J101J	MG RESISTOR	100Ω 1/16W J	1	
	R19	RK73HB1J000J	MG RESISTOR	0Ω 1/16W J	1	
	R23	RK73FB2B000J	MG RESISTOR	0Ω 1/8W J	1	
	R24	RK73FB2B000J	MG RESISTOR	0Ω 1/8W J	1	
	R25	RK73FB2B000J	MG RESISTOR	0Ω 1/8W J	1	
	R26	RK73FB2B000J	MG RESISTOR	0Ω 1/8W J	1	
	R27	RK73FB2B000J	MG RESISTOR	0Ω 1/8W J	1	
	R31	RK73GB2A683J	MG RESISTOR	68kΩ 1/10W J	1	
	R32	RK73GB2A473J	MG RESISTOR	47kΩ 1/10W J	1	
	R33	RK73HB1J153J	MG RESISTOR	15kΩ 1/16W J	1	
	R34	RK73HB1J473J	MG RESISTOR	47kΩ 1/16W J	1	
	R35	RK73HB1J103J	MG RESISTOR	10kΩ 1/16W J	1	
	R36	RK73HB1J912J	MG RESISTOR	9.1kΩ 1/16W J	1	
	R41	RK73EB2E153J	MG RESISTOR	15kΩ 1/4W J	1	
	R44	RK73HB1J822J	MG RESISTOR	8.2kΩ 1/16W J	1	
	R45	RK73EB2E102J	MG RESISTOR	1kΩ 1/4W J	1	
	R46	RK73EB2E102J	MG RESISTOR	1kΩ 1/4W J	1	
	R47	RK73EB2E102J	MG RESISTOR	1kΩ 1/4W J	1	
	R51	RK73GB2A223J	MG RESISTOR	22kΩ 1/10W J	1	
	R52	RK73GB2A472J	MG RESISTOR	4.7kΩ 1/10W J	1	
	R53	RK73GB2A472J	MG RESISTOR	4.7kΩ 1/10W J	1	
	R54	RK73HB1J333J	MG RESISTOR	33kΩ 1/16W J	1	
	R55	RK73HB1J223J	MG RESISTOR	22kΩ 1/16W J	1	
	R71	RK73GB2A152J	MG RESISTOR	1.5kΩ 1/10W J	1	
	R81	RK73FB2B472J	MG RESISTOR	4.7kΩ 1/8W J	1	
	R82	RK73FB2B472J	MG RESISTOR	4.7kΩ 1/8W J	1	A,B,C,E,G
	R101	RK73HB1J223J	MG RESISTOR	22kΩ 1/16W J	1	
	R102	RK73HB1J103J	MG RESISTOR	10kΩ 1/16W J	1	
	R103	RK73HB1J471J	MG RESISTOR	470Ω 1/16W J	1	
	R104	RK73HB1J103J	MG RESISTOR	10kΩ 1/16W J	1	
	R105	RK73HB1J472J	MG RESISTOR	4.7kΩ 1/16W J	1	
	R114	RK73HB1J101J	MG RESISTOR	100Ω 1/16W J	1	
	R115	RK73HB1J000J	MG RESISTOR	0Ω 1/16W J	1	
	R116	RK73GB2A223J	MG RESISTOR	22kΩ 1/10W J	1	
	R117	RK73HB1J101J	MG RESISTOR	100Ω 1/16W J	1	
	R118	RK73HB1J274J	MG RESISTOR	270kΩ 1/16W J	1	
	R119	RK73HB1J113J	MG RESISTOR	11kΩ 1/16W J	1	
	R120	RK73HB1J163J	MG RESISTOR	16kΩ 1/16W J	1	
	R121	RK73HH1J223D	MG RESISTOR	22kΩ 1/16W D	1	
	R122	RK73HB1J000J	MG RESISTOR	0Ω 1/16W J	1	
	R123	RK73HH1J203D	MG RESISTOR	20kΩ 1/16W D	1	
	R124	RK73HH1J333D	MG RESISTOR	33kΩ 1/16W D	1	
	R125	RK73HB1J472J	MG RESISTOR	4.7kΩ 1/16W J	1	
	R126	RK73HB1J473J	MG RESISTOR	47kΩ 1/16W J	1	
	R127	RK73EB2E111J	MG RESISTOR	110Ω 1/4W J	1	
	R128	RK73GB2A000J	MG RESISTOR	0Ω 1/10W J	1	
	R131	RK73HB1J101J	MG RESISTOR	100Ω 1/16W J	1	
	R132	RK73HB1J470J	MG RESISTOR	47Ω 1/16W J	1	
	R133	RK73HB1J473J	MG RESISTOR	47kΩ 1/16W J	1	
	R141	RK73HH1J124D	MG RESISTOR	120kΩ 1/16W D	1	
	R142	RK73HH1J303D	MG RESISTOR	30kΩ 1/16W D	1	
	R143	RK73HB1J000J	MG RESISTOR	0Ω 1/16W J	1	
	R144	RK73HB1J103J	MG RESISTOR	10kΩ 1/16W J	1	
	R145	RK73PB2H100J	MG RESISTOR	10Ω 1/2W J	1	
	R146	RK73HB1J223J	MG RESISTOR	22kΩ 1/16W J	1	

MODEL	MARK	MODEL	MARK	MODEL	MARK	MODEL	MARK
KW-V51BTJ	A	KW-V51BTU	B	KW-V51BTA	C	KW-V51BTE	D
KW-V51BTJW	E	KW-V51BTEE	F	KW-V51BTEU	G		

Safe	Symbol No.	Parts No.	Parts Name	Description	QTY	Local
	R147	RK73GB2A000J	MG RESISTOR	0Ω 1/10W J	1	
	R150	RK73GB2A000J	MG RESISTOR	0Ω 1/10W J	1	
	R151	RK73HB1J101J	MG RESISTOR	100Ω 1/16W J	1	
	R152	RK73HH1J563D	MG RESISTOR	56kΩ 1/16W D	1	
	R153	RK73PB2H100J	MG RESISTOR	10Ω 1/2W J	1	
	R154	RK73HH1J472D	MG RESISTOR	4.7kΩ 1/16W D	1	
	R155	RK73HH1J103D	MG RESISTOR	10kΩ 1/16W D	1	
	R156	RK73HB1J000J	MG RESISTOR	0Ω 1/16W J	1	
	R157	RK73HH1J164D	MG RESISTOR	160kΩ 1/16W D	1	
	R158	RK73EB2E560J	MG RESISTOR	56Ω 1/4W J	1	
	R160	RK73GB2A000J	MG RESISTOR	0Ω 1/10W J	1	
	R161	RK73HH1J104D	MG RESISTOR	100kΩ 1/16W D	1	
	R162	RK73HH1J563D	MG RESISTOR	56kΩ 1/16W D	1	
	R163	RK73HB1J000J	MG RESISTOR	0Ω 1/16W J	1	
	R164	RK73HB1J000J	MG RESISTOR	0Ω 1/16W J	1	
	R165	NRZ0126-R062X	MG RESISTOR	0.062Ω 1/3W J	1	
	R205	RK73HB1J6R8J	MG RESISTOR	6.8Ω 1/16W J	1	
	R240	RK73HB1J000J	MG RESISTOR	0Ω 1/16W J	1	
	R241	RK73GB2A223J	MG RESISTOR	22kΩ 1/10W J	1	
	R242	RK73HB1J331J	MG RESISTOR	330Ω 1/16W J	1	
	R243	RK73HB1J223J	MG RESISTOR	22kΩ 1/16W J	1	
	R244	RK73HB1J182J	MG RESISTOR	1.8kΩ 1/16W J	1	
	R245	RK73HB1J333J	MG RESISTOR	33kΩ 1/16W J	1	
	R246	RK73HB1J000J	MG RESISTOR	0Ω 1/16W J	1	
	R248	RK73HB1J000J	MG RESISTOR	0Ω 1/16W J	1	
	R251	RK73HB1J471J	MG RESISTOR	470Ω 1/16W J	1	
	R252	RK73HB1J471J	MG RESISTOR	470Ω 1/16W J	1	
	R253	RK73HB1J471J	MG RESISTOR	470Ω 1/16W J	1	
	R254	RK73HB1J471J	MG RESISTOR	470Ω 1/16W J	1	
	R255	RK73HB1J471J	MG RESISTOR	470Ω 1/16W J	1	
	R261	RK73HB1J223J	MG RESISTOR	22kΩ 1/16W J	1	
	R262	RK73HB1J223J	MG RESISTOR	22kΩ 1/16W J	1	
	R263	RK73HB1J223J	MG RESISTOR	22kΩ 1/16W J	1	
	R264	RK73HB1J223J	MG RESISTOR	22kΩ 1/16W J	1	
	R265	RK73HB1J223J	MG RESISTOR	22kΩ 1/16W J	1	
	R271	RK73GB2A101J	MG RESISTOR	100Ω 1/10W J	1	
	R272	RK73GB2A101J	MG RESISTOR	100Ω 1/10W J	1	
	R273	RK73GB2A101J	MG RESISTOR	100Ω 1/10W J	1	
	R274	RK73GB2A101J	MG RESISTOR	100Ω 1/10W J	1	
	R275	RK73GB2A101J	MG RESISTOR	100Ω 1/10W J	1	
	R281	RK73HB1J000J	MG RESISTOR	0Ω 1/16W J	1	
	R282	RK73HB1J000J	MG RESISTOR	0Ω 1/16W J	1	
	R283	RK73HB1J000J	MG RESISTOR	0Ω 1/16W J	1	
	R284	RK73HB1J000J	MG RESISTOR	0Ω 1/16W J	1	
	R285	RK73HB1J000J	MG RESISTOR	0Ω 1/16W J	1	
	R291	RK73HB1J471J	MG RESISTOR	470Ω 1/16W J	1	
	R292	RK73HB1J471J	MG RESISTOR	470Ω 1/16W J	1	
	R293	RK73GB2A223J	MG RESISTOR	22kΩ 1/10W J	1	
	R294	RK73GB2A223J	MG RESISTOR	22kΩ 1/10W J	1	
	R295	RK73GB2A101J	MG RESISTOR	100Ω 1/10W J	1	
	R296	RK73GB2A101J	MG RESISTOR	100Ω 1/10W J	1	
	R297	RK73HB1J473J	MG RESISTOR	47kΩ 1/16W J	1	
	R301	RK73GB2A2R2J	MG RESISTOR	2.2Ω 1/10W J	1	
	R302	RK73HB1J102J	MG RESISTOR	1kΩ 1/16W J	1	
	R304	RK73HB1J103J	MG RESISTOR	10kΩ 1/16W J	1	
	R305	RK73HB1J101J	MG RESISTOR	100Ω 1/16W J	1	
	R306	RK73HB1J101J	MG RESISTOR	100Ω 1/16W J	1	
	R307	RK73HB1J101J	MG RESISTOR	100Ω 1/16W J	1	
	R401	RK73GB2A000J	MG RESISTOR	0Ω 1/10W J	1	
	R402	RK73GB2A105J	MG RESISTOR	1MΩ 1/10W J	1	
	R403	RK73GB2A471J	MG RESISTOR	470Ω 1/10W J	1	
	R404	RK73GB2A271J	MG RESISTOR	270Ω 1/10W J	1	
	R405	RK73GB2A105J	MG RESISTOR	1MΩ 1/10W J	1	
	R407	RK73GB2A105J	MG RESISTOR	1MΩ 1/10W J	1	
	R408	RK73GB2A105J	MG RESISTOR	1MΩ 1/10W J	1	
	R409	RK73GB2A102J	MG RESISTOR	1kΩ 1/10W J	1	
	R410	RK73GB2A102J	MG RESISTOR	1kΩ 1/10W J	1	
	R411	RK73GB2A120J	MG RESISTOR	12Ω 1/10W J	1	
	R442	RK73GB2A000J	MG RESISTOR	0Ω 1/10W J	1	
	R443	RK73GB2A000J	MG RESISTOR	0Ω 1/10W J	1	
	R444	RK73GB2A000J	MG RESISTOR	0Ω 1/10W J	1	
	R450	RK73GB2A000J	MG RESISTOR	0Ω 1/10W J	1	
	R451	RK73GB2A000J	MG RESISTOR	0Ω 1/10W J	1	
	R452	RK73GB2A000J	MG RESISTOR	0Ω 1/10W J	1	
	R453	RK73GB2A101J	MG RESISTOR	100Ω 1/10W J	1	
	R454	RK73GB2A101J	MG RESISTOR	100Ω 1/10W J	1	
	R457	RK73GB2A470J	MG RESISTOR	47Ω 1/10W J	1	
	R460	RK73GB2A000J	MG RESISTOR	0Ω 1/10W J	1	
	R461	RK73GB2A000J	MG RESISTOR	0Ω 1/10W J	1	
	R462	RK73GB2A000J	MG RESISTOR	0Ω 1/10W J	1	
	R463	RK73GB2A000J	MG RESISTOR	0Ω 1/10W J	1	
	R464	RK73GB2A000J	MG RESISTOR	0Ω 1/10W J	1	
	R465	RK73GB2A000J	MG RESISTOR	0Ω 1/10W J	1	
	R466	RK73HB1J000J	MG RESISTOR	0Ω 1/16W J	1	
	R467	RK73HB1J000J	MG RESISTOR	0Ω 1/16W J	1	
	R468	RK73HB1J103J	MG RESISTOR	10kΩ 1/16W J	1	
	R501	RK73HB1J473J	MG RESISTOR	47kΩ 1/16W J	1	
	R502	RK73HB1J102J	MG RESISTOR	1kΩ 1/16W J	1	
	R504	RK73GB2A154J	MG RESISTOR	150kΩ 1/10W J	1	
	R505	RK73HB1J101J	MG RESISTOR	100Ω 1/16W J	1	
	R507	RK73HB1J101J	MG RESISTOR	100Ω 1/16W J	1	
	R509	RK73HB1J000J	MG RESISTOR	0Ω 1/16W J	1	

MODEL	MARK	MODEL	MARK	MODEL	MARK	MODEL	MARK
KW-V51BTJ	A	KW-V51BTU	B	KW-V51BTA	C	KW-V51BTE	D
KW-V51BTJW	E	KW-V51BTEE	F	KW-V51BTEU	G		

Safe	Symbol No.	Parts No.	Parts Name	Description	QTY	Local
	R510	RK73HB1J472J	MG RESISTOR	4.7kΩ 1/16W J	1	
	R511	RK73HB1J753J	MG RESISTOR	75kΩ 1/16W J	1	B,C,G
	R512	RK73HB1J753J	MG RESISTOR	75kΩ 1/16W J	1	A,D,E,F
	R514	RK73HB1J473J	MG RESISTOR	47kΩ 1/16W J	1	
	R516	RK73HB1J473J	MG RESISTOR	47kΩ 1/16W J	1	
	R518	RK73HB1J473J	MG RESISTOR	47kΩ 1/16W J	1	
	R519	RK73HB1J101J	MG RESISTOR	100Ω 1/16W J	1	
	R520	RK73HB1J473J	MG RESISTOR	47kΩ 1/16W J	1	
	R521	RK73HB1J154J	MG RESISTOR	150kΩ 1/16W J	1	B,F
	R521	RK73HB1J753J	MG RESISTOR	75kΩ 1/16W J	1	C,D,E
	R521	RK73HB1J124J	MG RESISTOR	120kΩ 1/16W J	1	G
	R522	RK73HB1J753J	MG RESISTOR	75kΩ 1/16W J	1	A,F
	R522	RK73HB1J124J	MG RESISTOR	120kΩ 1/16W J	1	B
	R522	RK73HB1J154J	MG RESISTOR	150kΩ 1/16W J	1	C,G
	R522	RK73HB1J223J	MG RESISTOR	22kΩ 1/16W J	1	D
	R522	RK73HB1J103J	MG RESISTOR	10kΩ 1/16W J	1	E
	R523	RK73HB1J154J	MG RESISTOR	150kΩ 1/16W J	1	
	R524	RK73HB1J124J	MG RESISTOR	120kΩ 1/16W J	1	
	R526	RK73HB1J123J	MG RESISTOR	12kΩ 1/16W J	1	
	R527	RK73HB1J473J	MG RESISTOR	47kΩ 1/16W J	1	
	R529	RK73HB1J106J	MG RESISTOR	10MΩ 1/16W J	1	
	R531	RK73HB1J102J	MG RESISTOR	1kΩ 1/16W J	1	
	R532	RK73HB1J102J	MG RESISTOR	1kΩ 1/16W J	1	
	R533	RK73HB1J123J	MG RESISTOR	12kΩ 1/16W J	1	
	R534	RK73HB1J123J	MG RESISTOR	12kΩ 1/16W J	1	
	R537	RK73HB1J473J	MG RESISTOR	47kΩ 1/16W J	1	
	R538	RK73HB1J473J	MG RESISTOR	47kΩ 1/16W J	1	
	R539	RK73HB1J473J	MG RESISTOR	47kΩ 1/16W J	1	
	R540	RK73HB1J474J	MG RESISTOR	470kΩ 1/16W J	1	
	R541	RK73HB1J473J	MG RESISTOR	47kΩ 1/16W J	1	B,C,D,E,F,G
	R542	RK73HB1J473J	MG RESISTOR	47kΩ 1/16W J	1	A
	R545	RK73HB1J101J	MG RESISTOR	100Ω 1/16W J	1	
	R546	RK73HB1J473J	MG RESISTOR	47kΩ 1/16W J	1	
	R547	RK73HB1J101J	MG RESISTOR	100Ω 1/16W J	1	
	R548	RK73HB1J104J	MG RESISTOR	100kΩ 1/16W J	1	
	R549	RK73HB1J101J	MG RESISTOR	100Ω 1/16W J	1	
	R550	RK73HB1J473J	MG RESISTOR	47kΩ 1/16W J	1	
	R551	RK73HB1J103J	MG RESISTOR	10kΩ 1/16W J	1	
	R552	RK73HB1J223J	MG RESISTOR	22kΩ 1/16W J	1	
	R553	RK73HB1J223J	MG RESISTOR	22kΩ 1/16W J	1	
	R554	RK73HB1J473J	MG RESISTOR	47kΩ 1/16W J	1	
	R555	RK73HB1J473J	MG RESISTOR	47kΩ 1/16W J	1	
	R556	RK73HB1J222J	MG RESISTOR	2.2kΩ 1/16W J	1	
	R557	RK73HB1J101J	MG RESISTOR	100Ω 1/16W J	1	
	R558	RK73HB1J104J	MG RESISTOR	100kΩ 1/16W J	1	
	R561	RK73HB1J101J	MG RESISTOR	100Ω 1/16W J	1	
	R562	RK73HB1J101J	MG RESISTOR	100Ω 1/16W J	1	
	R563	RK73HB1J101J	MG RESISTOR	100Ω 1/16W J	1	
	R564	RK73HB1J101J	MG RESISTOR	100Ω 1/16W J	1	
	R565	RK73HB1J101J	MG RESISTOR	100Ω 1/16W J	1	
	R566	RK73HB1J101J	MG RESISTOR	100Ω 1/16W J	1	
	R567	RK73HB1J104J	MG RESISTOR	100kΩ 1/16W J	1	
	R570	RK73HB1J101J	MG RESISTOR	100Ω 1/16W J	1	
	R571	RK73HB1J101J	MG RESISTOR	100Ω 1/16W J	1	
	R572	RK73HB1J101J	MG RESISTOR	100Ω 1/16W J	1	
	R573	RK73HB1J472J	MG RESISTOR	4.7kΩ 1/16W J	1	
	R574	RK73HB1J472J	MG RESISTOR	4.7kΩ 1/16W J	1	
	R575	RK73HB1J101J	MG RESISTOR	100Ω 1/16W J	1	
	R576	RK73HB1J101J	MG RESISTOR	100Ω 1/16W J	1	
	R578	RK73HB1J472J	MG RESISTOR	4.7kΩ 1/16W J	1	
	R579	RK73HB1J472J	MG RESISTOR	4.7kΩ 1/16W J	1	
	R581	RK73HB1J101J	MG RESISTOR	100Ω 1/16W J	1	
	R582	RK73HB1J272J	MG RESISTOR	2.7kΩ 1/16W J	1	
	R583	RK73GB2A272J	MG RESISTOR	2.7kΩ 1/10W J	1	
	R584	RK73GB2A272J	MG RESISTOR	2.7kΩ 1/10W J	1	
	R585	RK73HB1J101J	MG RESISTOR	100Ω 1/16W J	1	
	R586	RK73HB1J101J	MG RESISTOR	100Ω 1/16W J	1	
	R587	RK73HB1J101J	MG RESISTOR	100Ω 1/16W J	1	
	R588	RK73HB1J272J	MG RESISTOR	2.7kΩ 1/16W J	1	
	R589	RK73HB1J101J	MG RESISTOR	100Ω 1/16W J	1	
	R591	RK73GB2A000J	MG RESISTOR	0Ω 1/10W J	1	
	R592	RK73HB1J473J	MG RESISTOR	47kΩ 1/16W J	1	
	R593	RK73HB1J473J	MG RESISTOR	47kΩ 1/16W J	1	
	R594	RK73HB1J104J	MG RESISTOR	100kΩ 1/16W J	1	
	R595	RK73HB1J102J	MG RESISTOR	1kΩ 1/16W J	1	
	R611	RK73HB1J104J	MG RESISTOR	100kΩ 1/16W J	1	
	R612	RK73HB1J473J	MG RESISTOR	47kΩ 1/16W J	1	
	R615	RK73HB1J101J	MG RESISTOR	100Ω 1/16W J	1	
	R621	RK73HB1J470J	MG RESISTOR	47Ω 1/16W J	1	
	R622	RK73HB1J470J	MG RESISTOR	47Ω 1/16W J	1	
	R623	RK73HB1J470J	MG RESISTOR	47Ω 1/16W J	1	
	R624	RK73HB1J272J	MG RESISTOR	2.7kΩ 1/16W J	1	
	R625	RK73HB1J272J	MG RESISTOR	2.7kΩ 1/16W J	1	
	R626	RK73HB1J101J	MG RESISTOR	100Ω 1/16W J	1	
	R671	RK73HB1J471J	MG RESISTOR	470Ω 1/16W J	1	
	R672	RK73HB1J471J	MG RESISTOR	470Ω 1/16W J	1	
	R673	RK73HB1J223J	MG RESISTOR	22kΩ 1/16W J	1	
	R674	RK73HB1J223J	MG RESISTOR	22kΩ 1/16W J	1	
	R675	RK73HB1J102J	MG RESISTOR	1kΩ 1/16W J	1	
	R676	RK73HB1J102J	MG RESISTOR	1kΩ 1/16W J	1	

MODEL	MARK	MODEL	MARK	MODEL	MARK	MODEL	MARK
KW-V51BTJ	A	KW-V51BTU	B	KW-V51BTA	C	KW-V51BTE	D
KW-V51BTJW	E	KW-V51BTEE	F	KW-V51BTEU	G		

Safe	Symbol No.	Parts No.	Parts Name	Description	QTY	Local
	R681	RK73HB1J101J	MG RESISTOR	100Ω 1/16W J	1	
	R682	RK73HB1J101J	MG RESISTOR	100Ω 1/16W J	1	
	R683	RK73HB1J472J	MG RESISTOR	4.7kΩ 1/16W J	1	
	R684	RK73HB1J472J	MG RESISTOR	4.7kΩ 1/16W J	1	
	R701	RK73GB2A100J	MG RESISTOR	10Ω 1/10W J	1	A
	R702	RK73GB2A100J	MG RESISTOR	10Ω 1/10W J	1	A
	R703	RK73GB2A4R7J	MG RESISTOR	4.7Ω 1/10W J	1	A
	R704	RK73GB2A102J	MG RESISTOR	1kΩ 1/10W J	1	A
	R707	RK73HB1J000J	MG RESISTOR	0Ω 1/16W J	1	A
	R708	RK73HB1J000J	MG RESISTOR	0Ω 1/16W J	1	A
	R709	RK73HB1J000J	MG RESISTOR	0Ω 1/16W J	1	A
	R711	RK73GB2A101J	MG RESISTOR	100Ω 1/10W J	1	A
	R712	RK73GB2A101J	MG RESISTOR	100Ω 1/10W J	1	A
	R713	RK73GB2A101J	MG RESISTOR	100Ω 1/10W J	1	A
	R714	RK73HB1J272J	MG RESISTOR	2.7kΩ 1/16W J	1	A
	R715	RK73HB1J272J	MG RESISTOR	2.7kΩ 1/16W J	1	A
	R721	RK73HB1J473J	MG RESISTOR	47kΩ 1/16W J	1	A
	R722	RK73HB1J101J	MG RESISTOR	100Ω 1/16W J	1	
	R723	RK73HB1J101J	MG RESISTOR	100Ω 1/16W J	1	
	R724	RK73HB1J473J	MG RESISTOR	47kΩ 1/16W J	1	
	R725	RK73HB1J753J	MG RESISTOR	75kΩ 1/16W J	1	A
	R725	RK73HB1J154J	MG RESISTOR	150kΩ 1/16W J	1	B,C,D,E,F,G
	R726	RK73HB1J124J	MG RESISTOR	120kΩ 1/16W J	1	B,C,D,E,F,G
	R751	RK73HB1J101J	MG RESISTOR	100Ω 1/16W J	1	
	R752	RK73HB1J101J	MG RESISTOR	100Ω 1/16W J	1	
	R753	RK73HB1J000J	MG RESISTOR	0Ω 1/16W J	1	
	R754	RK73HB1J000J	MG RESISTOR	0Ω 1/16W J	1	
	R756	RK73HB1J223J	MG RESISTOR	22kΩ 1/16W J	1	
	R761	RK73GB2A470J	MG RESISTOR	47Ω 1/10W J	1	B,C,G
	R762	RK73GH2A472D	MG RESISTOR	4.7kΩ 1/10W D	1	B,C,G
	R763	RK73EB2E511J	MG RESISTOR	510Ω 1/4W J	1	B,C,G
	R764	RK73GB2A152J	MG RESISTOR	1.5kΩ 1/10W J	1	B,C,G
	R765	RK73GB2A681J	MG RESISTOR	680Ω 1/10W J	1	B,C,G
	R766	RK73GB2A104J	MG RESISTOR	100kΩ 1/10W J	1	B,C,G
	R767	RK73GB2A102J	MG RESISTOR	1kΩ 1/10W J	1	B,C,G
	R768	RK73GB2A000J	MG RESISTOR	0Ω 1/10W J	1	B,C,G
	R771	RK73GB2A470J	MG RESISTOR	47Ω 1/10W J	1	B,C,G
	R772	RK73GH2A472D	MG RESISTOR	4.7kΩ 1/10W D	1	B,C,G
	R773	RK73EB2E511J	MG RESISTOR	510Ω 1/4W J	1	B,C,G
	R774	RK73GB2A152J	MG RESISTOR	1.5kΩ 1/10W J	1	B,C,G
	R775	RK73GB2A681J	MG RESISTOR	680Ω 1/10W J	1	B,C,G
	R776	RK73GB2A104J	MG RESISTOR	100kΩ 1/10W J	1	B,C,G
	R777	RK73GB2A102J	MG RESISTOR	1kΩ 1/10W J	1	B,C,G
	R778	RK73HB1J000J	MG RESISTOR	0Ω 1/16W J	1	B,C,G
	R783	RK73HB1J473J	MG RESISTOR	47kΩ 1/16W J	1	
	R791	RK73HB1J102J	MG RESISTOR	1kΩ 1/16W J	1	
	R792	RK73HB1J222J	MG RESISTOR	2.2kΩ 1/16W J	1	
	R793	RK73HB1J472J	MG RESISTOR	4.7kΩ 1/16W J	1	
	R810	RK73FB2B000J	MG RESISTOR	0Ω 1/8W J	1	
	R851	RK73HB1J473J	MG RESISTOR	47kΩ 1/16W J	1	
	R852	RK73HB1J102J	MG RESISTOR	1kΩ 1/16W J	1	
	R891	RK73GB2A000J	MG RESISTOR	0Ω 1/10W J	1	
	R892	RK73GB2A000J	MG RESISTOR	0Ω 1/10W J	1	
	R951	RK73GB2A000J	MG RESISTOR	0Ω 1/10W J	1	A
	R952	RK73GB2A000J	MG RESISTOR	0Ω 1/10W J	1	A
	R966	RK73HB1J272J	MG RESISTOR	2.7kΩ 1/16W J	1	
	R2021	RK73HB1J100J	MG RESISTOR	10Ω 1/16W J	1	
	R3003	RK73HB1J473J	MG RESISTOR	47kΩ 1/16W J	1	
	RA581	RK74HB1J470J	NET RESISTOR	47Ω 1/16W J	1	
	RA611	RK74HB1J470J	NET RESISTOR	47Ω 1/16W J	1	
	RA791	RK74HB1J102J	NET RESISTOR	1kΩ 1/16W J	1	
	L1	QQR1883-002	CHOKE COIL		1	
	L121	NQLL8EM-100X	INDUCTOR	10uH M	1	
	L141	LR79Z0DE220M	CHIP INDUCTOR	22uH	1	
	L151	NQLL8EM-470X	INDUCTOR	47uH M	1	
	L405	NQLD8DJ-1R8X	INDUCTOR	1.8uH J	1	
	L406	NQLE6DJ-R27X	INDUCTOR	0.27uH J	1	
	L410	NQR0592-004X	FERRITE BEADS		1	
	L411	LR73Z0AER68J	CHIP INDUCTOR	0.68uH	1	
	L413	LR73Z0AER68J	CHIP INDUCTOR	0.68uH	1	
	L414	LR73Z0AER47J	CHIP INDUCTOR	0.47uH	1	
	L416	LR79P0BB561K	CHIP INDUCTOR	560uH	1	
	L417	LR79P0BB561K	CHIP INDUCTOR	560uH	1	
	L421	QQR1905-001	RF COIL		1	
	L482	LR73Z0AD4R7M	CHIP INDUCTOR	4.7uH	1	
	L501	NQR0199-003X	FERRITE BEADS		1	
	L601	NQR0154-005X	FERRITE CORE		1	
	L602	LR73Z0AD4R7M	CHIP INDUCTOR	4.7uH	1	
	L652	LR79Z0AG100M	CHIP INDUCTOR	10uH	1	
	L701	LR73Z0AD4R7M	CHIP INDUCTOR	4.7uH	1	A
	L851	LR73Z0AD4R7M	CHIP INDUCTOR	4.7uH	1	
	CN1	QGA2501C1-02	W TO B CONNE	W-B (1-2)	1	
	CN501	QGF0534F7-60X	FFC/FPC CONNE	FFC/FPC (1-60)	1	
	CN502	QGF0536CA-20W	FFC/FPC CONNE	FFC/FPC (1-20)	1	
	CN591	QGA1002F1-08X	W TO B CONNE	W-B (1-8)	1	
	CN602	QGF0567F1-45W	FFC/FPC CONNE	FFC/FPC (1-45)	1	
	CN651	QGF0534F7-40X	FFC/FPC CONNE	FFC/FPC (1-40)	1	
	CN791	QGF0534F7-08X	FFC/FPC CONNE	FFC/FPC (1-8)	1	
	F101	NMFZ032-4R0X-H	FUSE	4A	1	
	J1	QNZ0607-001	CAR CONNECTOR		1	
	J271	QNN0861-001	PIN JACK		1	
	J291	QNS0307-001	3.5 JACK		1	

△

MODEL	MARK	MODEL	MARK	MODEL	MARK	MODEL	MARK
KW-V51BTJ	A	KW-V51BTU	B	KW-V51BTA	C	KW-V51BTE	D
KW-V51BTJW	E	KW-V51BTEE	F	KW-V51BTEU	G		

Safe	Symbol No.	Parts No.	Parts Name	Description	QTY	Local
	J701	QNZ0907-001	CIR CONNECTOR		1	A
	J761	QNS0307-001	3.5 JACK		1	B,C,G
	TH241	NAD0052-471X	P THERMISTOR	470Ω	1	
	VA271	NAF0045-180X	VARISTOR(ZNR)		1	
	VA272	NAF0045-180X	VARISTOR(ZNR)		1	
	VA273	NAF0045-180X	VARISTOR(ZNR)		1	
	VA274	NAF0045-180X	VARISTOR(ZNR)		1	
	VA275	NAF0045-180X	VARISTOR(ZNR)		1	
	VA277	NAF0045-180X	VARISTOR(ZNR)		1	
	VA295	NAF0046-180X	VARISTOR(ZNR)		1	
	VA296	NAF0046-180X	VARISTOR(ZNR)		1	
	VA297	NAF0046-180X	VARISTOR(ZNR)		1	
	VA400	NAF0024-001X	ESD SUPPRESSOR		1	
	VA601	NAF0044-270X	VARISTOR(ZNR)		1	
	VA602	NAF0044-270X	VARISTOR(ZNR)		1	
	VA603	NAF0044-270X	VARISTOR(ZNR)		1	
	VA604	NAF0044-270X	VARISTOR(ZNR)		1	
	VA605	NAF0044-270X	VARISTOR(ZNR)		1	
	VA606	NAF0044-270X	VARISTOR(ZNR)		1	
	VA607	NAF0044-270X	VARISTOR(ZNR)		1	
	VA608	NAF0046-180X	VARISTOR(ZNR)		1	
	VA611	NAF0044-270X	VARISTOR(ZNR)		1	
	VA612	NAF0044-270X	VARISTOR(ZNR)		1	
	VA613	NAF0044-270X	VARISTOR(ZNR)		1	
	VA614	NAF0044-270X	VARISTOR(ZNR)		1	
	VA620	NAF0044-270X	VARISTOR(ZNR)		1	
	VA622	NAF0044-270X	VARISTOR(ZNR)		1	
	VA623	NAF0044-270X	VARISTOR(ZNR)		1	
	VA624	NAF0044-270X	VARISTOR(ZNR)		1	
	VA625	NAF0045-180X	VARISTOR(ZNR)		1	
	VA626	NAF0045-180X	VARISTOR(ZNR)		1	
	VA627	NAF0045-180X	VARISTOR(ZNR)		1	
	VA628	NAF0044-270X	VARISTOR(ZNR)		1	
	VA629	NAF0044-270X	VARISTOR(ZNR)		1	
	VA630	NAF0044-270X	VARISTOR(ZNR)		1	
	VA631	NAF0044-270X	VARISTOR(ZNR)		1	
	VA632	NAF0044-270X	VARISTOR(ZNR)		1	
	VA633	NAF0044-270X	VARISTOR(ZNR)		1	
	VA638	NAF0044-270X	VARISTOR(ZNR)		1	
	VA639	NAF0044-270X	VARISTOR(ZNR)		1	
	VA641	NAF0044-270X	VARISTOR(ZNR)		1	
	VA643	NAF0044-270X	VARISTOR(ZNR)		1	
	VA644	NAF0044-270X	VARISTOR(ZNR)		1	
	VA645	NAF0044-270X	VARISTOR(ZNR)		1	
	VA701	NAF0045-180X	VARISTOR(ZNR)		1	A
	VA702	NAF0045-180X	VARISTOR(ZNR)		1	A
	VA703	NAF0045-180X	VARISTOR(ZNR)		1	A
	VA711	NAF0044-270X	VARISTOR(ZNR)		1	A
	VA712	NAF0044-270X	VARISTOR(ZNR)		1	A
	VA713	NAF0045-180X	VARISTOR(ZNR)		1	A
	VA761	NAF0045-180X	VARISTOR(ZNR)		1	B,C,G
	VA762	NAF0045-180X	VARISTOR(ZNR)		1	B,C,G
	VA771	NAF0045-180X	VARISTOR(ZNR)		1	B,C,G
	W400	QAM1427-001	CAR CABLE		1	
	X403	L7J-0011-00	QUARTZ CRYSTAL		1	
	X501	NAX1168-001X	CRYSTAL		1	
	X502	L7J-0059-00	QUARTZ CRYSTAL		1	
<b>SUB PWB ASSY (XJ6-0190-12) &lt;02&gt;</b>						
	IC41	BH7673G-W	IC		1	
	IC51	NJM2535V-X	IC		1	
	IC61	NJM2535V-X	IC		1	
	IC62	NJM2561F1	BIPOLAR IC		1	
	Q11	LSCR523EBFS8	TRANSISTOR		1	
	Q12	LTA014YEB-X	DIGI TRANSISTOR		1	
	Q13	LSCR523EBFS8	TRANSISTOR		1	
	Q21	LTC024EEB-X	DIGI TRANSISTOR		1	
	Q31	LSCR523EBFS8	TRANSISTOR		1	
	D11	DA2J101	DIODE		1	
	D21	DA2J101	DIODE		1	
	C11	CK73GBB0J225K	C CAPACITOR	2.2uF 6.3V K	1	
	C21	CK73HBB1E103K	C CAPACITOR	0.01uF 25V K	1	
	C31	CK730BU0J106M	C CAPACITOR	10uF 6.3V M	1	
	C41	CK73GBB1C105K	C CAPACITOR	1uF 16V K	1	
	C42	CK73GBB1C105K	C CAPACITOR	1uF 16V K	1	
	C43	CK73HBB1A104K	C CAPACITOR	0.1uF 10V K	1	
	C44	CK730BU0J106M	C CAPACITOR	10uF 6.3V M	1	
	C52	CK73GBB1C105K	C CAPACITOR	1uF 16V K	1	
	C53	CK73GBB1C105K	C CAPACITOR	1uF 16V K	1	
	C54	CK73HBB1A104K	C CAPACITOR	0.1uF 10V K	1	
	C62	CK73GBB1C105K	C CAPACITOR	1uF 16V K	1	
	C63	CK73GBB1C105K	C CAPACITOR	1uF 16V K	1	
	C64	CK73HBB1A104K	C CAPACITOR	0.1uF 10V K	1	
	C65	CK73HBB1A104K	C CAPACITOR	0.1uF 10V K	1	
	C66	CK73HBB1A104K	C CAPACITOR	0.1uF 10V K	1	
	C67	QETL1AM-477	E CAPACITOR	470uF 10V M	1	
	C112	CK73HBB1H102K	C CAPACITOR	1000pF 50V K	1	
	C113	CK73HBB1H102K	C CAPACITOR	1000pF 50V K	1	
	C122	CK73GBB1C105K	C CAPACITOR	1uF 16V K	1	
	C123	CK73GBB1C105K	C CAPACITOR	1uF 16V K	1	
	C124	CK730BU0J106M	C CAPACITOR	10uF 6.3V M	1	
	C701	CK730BW0J226M	C CAPACITOR	22uF 6.3V M	1	

MODEL	MARK	MODEL	MARK	MODEL	MARK	MODEL	MARK
KW-V51BTJ	A	KW-V51BTU	B	KW-V51BTA	C	KW-V51BTE	D
KW-V51BTJW	E	KW-V51BTEE	F	KW-V51BTEU	G		

Safe	Symbol No.	Parts No.	Parts Name	Description	QTY	Local
	R11	RK73HB1J223J	MG RESISTOR	22kΩ 1/16W J	1	
	R12	RK73HB1J473J	MG RESISTOR	47kΩ 1/16W J	1	
	R13	RK73HB1J223J	MG RESISTOR	22kΩ 1/16W J	1	
	R14	RK73HB1J471J	MG RESISTOR	470Ω 1/16W J	1	
	R15	RK73HB1J473J	MG RESISTOR	47kΩ 1/16W J	1	
	R16	RK73HB1J473J	MG RESISTOR	47kΩ 1/16W J	1	
	R21	RK73GB2A272J	MG RESISTOR	2.7kΩ 1/10W J	1	
	R22	RK73HB1J102J	MG RESISTOR	1kΩ 1/16W J	1	
	R31	RK73HH1J750D	MG RESISTOR	75Ω 1/16W D	1	
	R32	RK73GB2A100J	MG RESISTOR	10Ω 1/10W J	1	
	R33	RK73HB1J303J	MG RESISTOR	30kΩ 1/16W J	1	
	R34	RK73HB1J303J	MG RESISTOR	30kΩ 1/16W J	1	
	R35	RK73HB1J272J	MG RESISTOR	2.7kΩ 1/16W J	1	
	R52	RK73HB1J105J	MG RESISTOR	1MΩ 1/16W J	1	
	R61	RK73GH2A750D	MG RESISTOR	75Ω 1/10W D	1	
	R62	RK73HB1J105J	MG RESISTOR	1MΩ 1/16W J	1	
	R63	RK73HH1J201D	MG RESISTOR	200Ω 1/16W D	1	
	R112	RK73GB2A100J	MG RESISTOR	10Ω 1/10W J	1	
	R113	RK73GB2A100J	MG RESISTOR	10Ω 1/10W J	1	
	R114	RK73GB2A4R7J	MG RESISTOR	4.7Ω 1/10W J	1	
	R115	RK73HB1J223J	MG RESISTOR	22kΩ 1/16W J	1	
	R116	RK73HB1J223J	MG RESISTOR	22kΩ 1/16W J	1	
	R117	RK73HB1J000J	MG RESISTOR	0Ω 1/16W J	1	
	R120	RK73HB1J000J	MG RESISTOR	0Ω 1/16W J	1	
	R121	RK73HB1J000J	MG RESISTOR	0Ω 1/16W J	1	
	R201	RK73GB2A100J	MG RESISTOR	10Ω 1/10W J	1	
	R202	RK73GB2A100J	MG RESISTOR	10Ω 1/10W J	1	
	R203	RK73GB2A620J	MG RESISTOR	62Ω 1/10W J	1	
	R204	RK73HB1J4R7J	MG RESISTOR	4.7Ω 1/16W J	1	
	R301	RK73GB2A101J	MG RESISTOR	100Ω 1/10W J	1	
	R302	RK73GB2A101J	MG RESISTOR	100Ω 1/10W J	1	
	R901	RK73GB2A000J	MG RESISTOR	0Ω 1/10W J	1	
	R902	RK73HB1J100J	MG RESISTOR	10Ω 1/16W J	1	
	L41	LR73Z0AD4R7M	CHIP INDUCTOR	4.7uH	1	
	CN1	QGF0534F7-20X	FFC/FPC CONNE	FFC/FPC (1-20)	1	
	CN2	QGF0534F7-20X	FFC/FPC CONNE	FFC/FPC (1-20)	1	
	CN3	QGA2501C1-03	W TO B CONNE	W-B (1-3)	1	
	CN301	QGA2001C1-02	W TO B CONNE	W-B (1-2)	1	
	CN701	QGA2001C1-02	W TO B CONNE	W-B (1-2)	1	
	J31	QNN0011-002	PIN JACK		1	
	J101	QNS0291-001	3.5 JACK		1	
	J301	QNS0307-001	3.5 JACK		1	
	VA11	NAF0044-270X	VARIATOR(ZNR)		1	
	VA21	NAF0045-180X	VARIATOR(ZNR)		1	
	VA31	NAF0044-270X	VARIATOR(ZNR)		1	
	VA61	NAF0044-270X	VARIATOR(ZNR)		1	
	VA101	NAF0044-270X	VARIATOR(ZNR)		1	
	VA112	NAF0045-180X	VARIATOR(ZNR)		1	
	VA113	NAF0045-180X	VARIATOR(ZNR)		1	
	VA201	NAF0044-270X	VARIATOR(ZNR)		1	
	VA202	NAF0044-270X	VARIATOR(ZNR)		1	
	VA301	NAF0045-180X	VARIATOR(ZNR)		1	
	VA302	NAF0045-180X	VARIATOR(ZNR)		1	
<b>DIGITAL IO PWB ASSY (XJA-0120-11) &lt;03&gt;</b>						
	IC1	TCC8010G-0BX	MCU IC		1	
	IC100	MFI337S3959	MCU IC		1	
	IC251	TC74VCX257FT-X	IC(DIGITAL)		1	
	IC311	TC7WH08FK-F-X	IC(DIGITAL)		1	
	IC312	K4B1G1646GBCH9	IC(DIGITAL)		1	
	IC313	W3F-0041-00	ROM IC		1	
	IC502	ML86V8202CTB7F	IC		1	
	IC503	TC7SG04FU-X	IC		1	
	IC504	TC7SG86FU-X	IC(DIGITAL)		1	
	IC505	74AHC1G08GW-X	IC		1	
	IC506	THS8136PHP	MOS IC		1	
	IC601	BD9876AEFJ-X	IC		1	
	IC602	BD9876AEFJ-X	IC		1	
	IC603	BD9876AEFJ-X	IC		1	
	IC604	XC6223D331PG-X	IC		1	
	IC605	XC6223D181PG-X	IC		1	
	IC606	XC6213B152N-G	MOS IC		1	
	IC607	XC6503D151PG-X	IC		1	
	IC701	IT68013FN/BX	MOS IC		1	
	IC801	AK4388AET-X	IC		1	
	IC802	TC7SET02FU-J-X	IC(DIGITAL)		1	
	IC803	TC7SET32FU-X	IC(DIGITAL)		1	
	IC863	XC6213B332N-G	MOS IC		1	
	Q300	LTA014YEB-X	DIGI TRANSISTOR		1	
	Q301	LTA014YEB-X	DIGI TRANSISTOR		1	
	Q302	LTC014YEBFS8	DIGI TRANSISTOR		1	
	Q303	LTC014YEBFS8	DIGI TRANSISTOR		1	
	Q601	LTC014EEBFS8	DIGI TRANSISTOR		1	
	Q602	LTC014EEBFS8	DIGI TRANSISTOR		1	
	Q603	LTC014EEBFS8	DIGI TRANSISTOR		1	
	Q604	KMB3D0P30SA-X	MOS FET		1	
	Q605	LTC014YEBFS8	DIGI TRANSISTOR		1	
	Q702	2SK3019-X	MOS FET		1	
	Q704	LTA014YUBFS8	DIGI TRANSISTOR		1	
	Q705	LTC014YUBFS8	DIGI TRANSISTOR		1	
	Q706	2SB1697-W	TRANSISTOR		1	
	Q831	2SA2018/F-X	TRANSISTOR		1	

MODEL	MARK	MODEL	MARK	MODEL	MARK	MODEL	MARK
KW-V51BTJ	A	KW-V51BTU	B	KW-V51BTA	C	KW-V51BTE	D
KW-V51BTJW	E	KW-V51BTEE	F	KW-V51BTEU	G		

Safe	Symbol No.	Parts No.	Parts Name	Description	QTY	Local
	Q832	2SC5585-E-X	TRANSISTOR		1	
	Q833	2SC5585-E-X	TRANSISTOR		1	
	Q834	2SA2018/F-X	TRANSISTOR		1	
	Q835	LTA014YEB-X	DIGI TRANSISTOR		1	
	Q836	LSCR523UBFS8	TRANSISTOR		1	
	Q837	LSCR523UBFS8	TRANSISTOR		1	
	Q881	MTM98140-X	TRANSISTOR		1	
	Q882	LTA014EEBFS8	DIGI TRANSISTOR		1	
	Q883	LTA014EEBFS8	DIGI TRANSISTOR		1	
	Q884	LTC014EEBFS8	DIGI TRANSISTOR		1	
	Q885	LTC044EEBFS8	DIGI TRANSISTOR		1	
	D601	DZ2J062M	ZENER DIODE		1	
	D602	RB051L-40	SCHOTTKY DIODE		1	
	D603	DZ2J062M	ZENER DIODE		1	
	D604	RB051L-40	SCHOTTKY DIODE		1	
	D605	DZ2J033M	ZENER DIODE		1	
	D606	RB051L-40	SCHOTTKY DIODE		1	
	D653	RB080L-30-X	SB DIODE		1	
	D704	DA2J101	DIODE		1	
	D706	DA2J101	DIODE		1	
	D707	DA2J101	DIODE		1	
	D881	DZ2J180M	ZENER DIODE		1	
	C104	CK73HBB1A104K	C CAPACITOR	0.1uF 10V K	1	
	C110	CC73HCH1H220J	C CAPACITOR	22pF 50V J	1	
	C111	CC73HCH1H180J	C CAPACITOR	18pF 50V J	1	
	C112	CC73HCH1H150J	C CAPACITOR	15pF 50V J	1	
	C113	CC73HCH1H150J	C CAPACITOR	15pF 50V J	1	
	C114	CK730AU0J105K	C CAPACITOR	1uF 6.3V K	1	
	C120	CC73HCH1H470J	C CAPACITOR	47pF 50V J	1	
	C121	CC73HCH1H470J	C CAPACITOR	47pF 50V J	1	
	C122	CC73HCH1H470J	C CAPACITOR	47pF 50V J	1	
	C123	CC73HCH1H470J	C CAPACITOR	47pF 50V J	1	
	C124	CC73HCH1H470J	C CAPACITOR	47pF 50V J	1	
	C125	CC73HCH1H470J	C CAPACITOR	47pF 50V J	1	
	C129	CK73HBB1C103K	C CAPACITOR	0.01uF 16V K	1	
	C225	CK73HBB1H102K	C CAPACITOR	1000pF 50V K	1	
	C304	CK73HBB1A104K	C CAPACITOR	0.1uF 10V K	1	
	C305	CK73HBB1A104K	C CAPACITOR	0.1uF 10V K	1	
	C306	CK73HBB1A104K	C CAPACITOR	0.1uF 10V K	1	
	C307	CK73HBB1A104K	C CAPACITOR	0.1uF 10V K	1	
	C308	CK73HBB1A104K	C CAPACITOR	0.1uF 10V K	1	
	C309	CK73HBB1A104K	C CAPACITOR	0.1uF 10V K	1	
	C310	CK73HBB1A104K	C CAPACITOR	0.1uF 10V K	1	
	C311	CK73HBB1A104K	C CAPACITOR	0.1uF 10V K	1	
	C312	CK73HBB1A104K	C CAPACITOR	0.1uF 10V K	1	
	C313	CK73HBB1A104K	C CAPACITOR	0.1uF 10V K	1	
	C314	CK73HBB1A104K	C CAPACITOR	0.1uF 10V K	1	
	C315	CK73HBB1A104K	C CAPACITOR	0.1uF 10V K	1	
	C316	CK73HBB1A104K	C CAPACITOR	0.1uF 10V K	1	
	C317	CK73HBB1A104K	C CAPACITOR	0.1uF 10V K	1	
	C318	CK73HBB1A104K	C CAPACITOR	0.1uF 10V K	1	
	C319	CK73HBB1A104K	C CAPACITOR	0.1uF 10V K	1	
	C320	CK73HBB1A104K	C CAPACITOR	0.1uF 10V K	1	
	C321	CK73HBB1A104K	C CAPACITOR	0.1uF 10V K	1	
	C322	CK73HBB1A104K	C CAPACITOR	0.1uF 10V K	1	
	C323	CK73HBB1A104K	C CAPACITOR	0.1uF 10V K	1	
	C324	CK73HBB1A104K	C CAPACITOR	0.1uF 10V K	1	
	C325	CK73HBB1A104K	C CAPACITOR	0.1uF 10V K	1	
	C326	CK73HBB1A104K	C CAPACITOR	0.1uF 10V K	1	
	C327	CK73HBB1A104K	C CAPACITOR	0.1uF 10V K	1	
	C328	CK73HBB1A104K	C CAPACITOR	0.1uF 10V K	1	
	C329	CK73HBB1A104K	C CAPACITOR	0.1uF 10V K	1	
	C330	CK73HBB1A104K	C CAPACITOR	0.1uF 10V K	1	
	C331	CK73HBB1A104K	C CAPACITOR	0.1uF 10V K	1	
	C332	CK73HBB1A104K	C CAPACITOR	0.1uF 10V K	1	
	C333	CK73HBB1A104K	C CAPACITOR	0.1uF 10V K	1	
	C334	CK73HBB1A104K	C CAPACITOR	0.1uF 10V K	1	
	C335	CK73HBB1A104K	C CAPACITOR	0.1uF 10V K	1	
	C336	CK73HBB1A104K	C CAPACITOR	0.1uF 10V K	1	
	C337	CK73HBB1A104K	C CAPACITOR	0.1uF 10V K	1	
	C338	CK73HBB1A104K	C CAPACITOR	0.1uF 10V K	1	
	C339	CK73HBB1A104K	C CAPACITOR	0.1uF 10V K	1	
	C340	CK73HBB1A104K	C CAPACITOR	0.1uF 10V K	1	
	C341	CK73HBB1A104K	C CAPACITOR	0.1uF 10V K	1	
	C342	CK73HBB1A104K	C CAPACITOR	0.1uF 10V K	1	
	C343	CK73HBB1A104K	C CAPACITOR	0.1uF 10V K	1	
	C344	CK73HBB1A104K	C CAPACITOR	0.1uF 10V K	1	
	C345	CK73HBB1A104K	C CAPACITOR	0.1uF 10V K	1	
	C346	CK73HBB1A104K	C CAPACITOR	0.1uF 10V K	1	
	C347	CK73HBB1A104K	C CAPACITOR	0.1uF 10V K	1	
	C348	CK73HBB1A104K	C CAPACITOR	0.1uF 10V K	1	
	C349	CK73HBB1A104K	C CAPACITOR	0.1uF 10V K	1	
	C350	CK73HBB1A104K	C CAPACITOR	0.1uF 10V K	1	
	C351	CK73HBB1A104K	C CAPACITOR	0.1uF 10V K	1	
	C352	CK73HBB1A104K	C CAPACITOR	0.1uF 10V K	1	
	C353	CK73HBB1A104K	C CAPACITOR	0.1uF 10V K	1	
	C354	CK73HBB1A104K	C CAPACITOR	0.1uF 10V K	1	
	C355	CK73HBB1A104K	C CAPACITOR	0.1uF 10V K	1	
	C356	CK73HBB1A104K	C CAPACITOR	0.1uF 10V K	1	
	C357	CK73HBB1A104K	C CAPACITOR	0.1uF 10V K	1	

MODEL	MARK	MODEL	MARK	MODEL	MARK	MODEL	MARK
KW-V51BTJ	A	KW-V51BTU	B	KW-V51BTA	C	KW-V51BTE	D
KW-V51BTJW	E	KW-V51BTEE	F	KW-V51BTEU	G		

Safe	Symbol No.	Parts No.	Parts Name	Description	QTY	Local
	C358	CK73HBB1A104K	C CAPACITOR	0.1uF 10V K	1	
	C359	CK73HBB1A104K	C CAPACITOR	0.1uF 10V K	1	
	C360	CK73HBB1A104K	C CAPACITOR	0.1uF 10V K	1	
	C361	CK73HBB1A104K	C CAPACITOR	0.1uF 10V K	1	
	C362	CK73HBB1A104K	C CAPACITOR	0.1uF 10V K	1	
	C363	CK73HBB1A104K	C CAPACITOR	0.1uF 10V K	1	
	C364	CK73HBB1A104K	C CAPACITOR	0.1uF 10V K	1	
	C365	CK73HBB1A104K	C CAPACITOR	0.1uF 10V K	1	
	C366	CK73HBB1A104K	C CAPACITOR	0.1uF 10V K	1	
	C367	CK73HBB1A104K	C CAPACITOR	0.1uF 10V K	1	
	C368	CK73HBB1A104K	C CAPACITOR	0.1uF 10V K	1	
	C369	CK73HBB1A104K	C CAPACITOR	0.1uF 10V K	1	
	C370	CK73HBB1A104K	C CAPACITOR	0.1uF 10V K	1	
	C371	CK73HBB1A104K	C CAPACITOR	0.1uF 10V K	1	
	C372	CK73HBB1A104K	C CAPACITOR	0.1uF 10V K	1	
	C373	CK73HBB1A104K	C CAPACITOR	0.1uF 10V K	1	
	C374	CK73HBB1A104K	C CAPACITOR	0.1uF 10V K	1	
	C375	CK73HBB1A104K	C CAPACITOR	0.1uF 10V K	1	
	C376	CK730AU0J105K	C CAPACITOR	1uF 6.3V K	1	
	C377	CK73HBB1C103K	C CAPACITOR	0.01uF 16V K	1	
	C378	CK73HBB1C103K	C CAPACITOR	0.01uF 16V K	1	
	C379	CK73HBB1C103K	C CAPACITOR	0.01uF 16V K	1	
	C385	CK73HBB1A104K	C CAPACITOR	0.1uF 10V K	1	
	C395	CK73FBB0J106K	C CAPACITOR	10uF 6.3V K	1	
	C396	CK73HBB1A104K	C CAPACITOR	0.1uF 10V K	1	
	C397	CK73HBB1A104K	C CAPACITOR	0.1uF 10V K	1	
	C398	CK73HBB1A104K	C CAPACITOR	0.1uF 10V K	1	
	C399	CK73HBB1A104K	C CAPACITOR	0.1uF 10V K	1	
	C400	CK73HBB1A104K	C CAPACITOR	0.1uF 10V K	1	
	C401	CK73HBB1A104K	C CAPACITOR	0.1uF 10V K	1	
	C402	CK73HBB1A104K	C CAPACITOR	0.1uF 10V K	1	
	C403	CK73HBB1A104K	C CAPACITOR	0.1uF 10V K	1	
	C404	CK73HBB1A104K	C CAPACITOR	0.1uF 10V K	1	
	C405	CK73HBB1A104K	C CAPACITOR	0.1uF 10V K	1	
	C406	CK73FBB0J106K	C CAPACITOR	10uF 6.3V K	1	
	C407	CK730AU0J105K	C CAPACITOR	1uF 6.3V K	1	
	C408	CK730AU0J105K	C CAPACITOR	1uF 6.3V K	1	
	C409	CK730AU0J105K	C CAPACITOR	1uF 6.3V K	1	
	C410	CK730AU0J105K	C CAPACITOR	1uF 6.3V K	1	
	C411	CK730AU0J105K	C CAPACITOR	1uF 6.3V K	1	
	C412	CK73FBB0J106K	C CAPACITOR	10uF 6.3V K	1	
	C413	CK73FBB0J106K	C CAPACITOR	10uF 6.3V K	1	
	C414	CK73HBB1A104K	C CAPACITOR	0.1uF 10V K	1	
	C415	CK73HBB1A104K	C CAPACITOR	0.1uF 10V K	1	
	C416	CK73HBB1A104K	C CAPACITOR	0.1uF 10V K	1	
	C417	CK73HBB1A104K	C CAPACITOR	0.1uF 10V K	1	
	C418	CK73HBB1A104K	C CAPACITOR	0.1uF 10V K	1	
	C419	CK73HBB1A104K	C CAPACITOR	0.1uF 10V K	1	
	C420	CK73HBB1A104K	C CAPACITOR	0.1uF 10V K	1	
	C421	CK73HBB1A104K	C CAPACITOR	0.1uF 10V K	1	
	C422	CK73HBB1A104K	C CAPACITOR	0.1uF 10V K	1	
	C423	CK73HBB1A104K	C CAPACITOR	0.1uF 10V K	1	
	C424	CK73HBB1A104K	C CAPACITOR	0.1uF 10V K	1	
	C425	CK73HBB1A104K	C CAPACITOR	0.1uF 10V K	1	
	C426	CK73HBB1C103K	C CAPACITOR	0.01uF 16V K	1	
	C427	CK73HBB1C103K	C CAPACITOR	0.01uF 16V K	1	
	C428	CK73HBB1C103K	C CAPACITOR	0.01uF 16V K	1	
	C429	CK73HBB1C103K	C CAPACITOR	0.01uF 16V K	1	
	C430	CK73HBB1C103K	C CAPACITOR	0.01uF 16V K	1	
	C431	CK73HBB1C103K	C CAPACITOR	0.01uF 16V K	1	
	C432	CK73HBB1C103K	C CAPACITOR	0.01uF 16V K	1	
	C433	CK73HBB1C103K	C CAPACITOR	0.01uF 16V K	1	
	C434	CK73HBB1C103K	C CAPACITOR	0.01uF 16V K	1	
	C435	CK73HBB1C103K	C CAPACITOR	0.01uF 16V K	1	
	C436	CK73HBB1C103K	C CAPACITOR	0.01uF 16V K	1	
	C437	CK73HBB1C103K	C CAPACITOR	0.01uF 16V K	1	
	C438	CK73HBB1C103K	C CAPACITOR	0.01uF 16V K	1	
	C439	CK73HBB1C103K	C CAPACITOR	0.01uF 16V K	1	
	C440	CK73HBB1C103K	C CAPACITOR	0.01uF 16V K	1	
	C441	CK73HBB1C103K	C CAPACITOR	0.01uF 16V K	1	
	C442	CK73HBB1C103K	C CAPACITOR	0.01uF 16V K	1	
	C443	CK73HBB1C103K	C CAPACITOR	0.01uF 16V K	1	
	C444	CK73EXR0J476M	C CAPACITOR	47uF 6.3V M	1	
	C445	CK73HBB1A104K	C CAPACITOR	0.1uF 10V K	1	
	C446	CK73HBB1A104K	C CAPACITOR	0.1uF 10V K	1	
	C447	CK73HBB1A104K	C CAPACITOR	0.1uF 10V K	1	
	C448	CK73GBB1H103K	C CAPACITOR	0.01uF 50V K	1	
	C449	CK73HBB1H102K	C CAPACITOR	1000pF 50V K	1	
	C450	CK73FBB0J106K	C CAPACITOR	10uF 6.3V K	1	
	C451	CK73FBB0J106K	C CAPACITOR	10uF 6.3V K	1	
	C452	CK730AU0J105K	C CAPACITOR	1uF 6.3V K	1	
	C453	CK730AU0J105K	C CAPACITOR	1uF 6.3V K	1	
	C456	CK73HBB1C103K	C CAPACITOR	0.01uF 16V K	1	
	C457	CK73HBB1H102K	C CAPACITOR	1000pF 50V K	1	
	C504	CC73HCH1H100D	C CAPACITOR	10pF 50V D	1	
	C505	CC73HCH1H080D	C CAPACITOR	8pF 50V D	1	
	C506	CK730AU0J105K	C CAPACITOR	1uF 6.3V K	1	
	C507	CK73FBB0J106K	C CAPACITOR	10uF 6.3V K	1	
	C508	CK73HBB1A104K	C CAPACITOR	0.1uF 10V K	1	
	C509	CK73HBB1A104K	C CAPACITOR	0.1uF 10V K	1	
	C510	CK73HBB1A104K	C CAPACITOR	0.1uF 10V K	1	
	C511	CK73HBB1A104K	C CAPACITOR	0.1uF 10V K	1	

MODEL	MARK	MODEL	MARK	MODEL	MARK	MODEL	MARK
KW-V51BTJ	A	KW-V51BTU	B	KW-V51BTA	C	KW-V51BTE	D
KW-V51BTJW	E	KW-V51BTEE	F	KW-V51BTEU	G		

Safe	Symbol No.	Parts No.	Parts Name	Description	QTY	Local
	C512	CK73FBB0J106K	C CAPACITOR	10uF 6.3V K	1	
	C513	CK73HBB1A104K	C CAPACITOR	0.1uF 10V K	1	
	C515	CK73HBB1A104K	C CAPACITOR	0.1uF 10V K	1	
	C517	CK73HBB1A104K	C CAPACITOR	0.1uF 10V K	1	
	C518	CK730AU0J474K	C CAPACITOR	0.47uF 6.3V K	1	
	C519	CK730AU0J474K	C CAPACITOR	0.47uF 6.3V K	1	
	C520	CK73HBB1A104K	C CAPACITOR	0.1uF 10V K	1	
	C521	CK730AU0J474K	C CAPACITOR	0.47uF 6.3V K	1	
	C522	CK73HBB1A104K	C CAPACITOR	0.1uF 10V K	1	
	C523	CK73HBB1A104K	C CAPACITOR	0.1uF 10V K	1	
	C524	CK73FBB0J106K	C CAPACITOR	10uF 6.3V K	1	
	C525	CK73HBB1A104K	C CAPACITOR	0.1uF 10V K	1	
	C526	CK73HBB1A104K	C CAPACITOR	0.1uF 10V K	1	
	C528	CK73HBB1A104K	C CAPACITOR	0.1uF 10V K	1	
	C529	CK73HBB1A104K	C CAPACITOR	0.1uF 10V K	1	
	C530	CK73HBB1A104K	C CAPACITOR	0.1uF 10V K	1	
	C532	CK73HBB1A104K	C CAPACITOR	0.1uF 10V K	1	
	C533	CK73HBB1A104K	C CAPACITOR	0.1uF 10V K	1	
	C534	CK73HBB1A104K	C CAPACITOR	0.1uF 10V K	1	
	C535	CK73HBB1A104K	C CAPACITOR	0.1uF 10V K	1	
	C536	CK73HBB1A104K	C CAPACITOR	0.1uF 10V K	1	
	C537	CK73HBB1A104K	C CAPACITOR	0.1uF 10V K	1	
	C538	CK73FBB0J106K	C CAPACITOR	10uF 6.3V K	1	
	C540	CK73GXR0J475K	C CAPACITOR	4.7uF 6.3V K	1	
	C541	CK730AU0J105K	C CAPACITOR	1uF 6.3V K	1	
	C542	CK73GXR0J475K	C CAPACITOR	4.7uF 6.3V K	1	
	C543	CK730AU0J105K	C CAPACITOR	1uF 6.3V K	1	
	C544	CK73GXR0J475K	C CAPACITOR	4.7uF 6.3V K	1	
	C545	CK730AU0J105K	C CAPACITOR	1uF 6.3V K	1	
	C546	CK730AU0J105K	C CAPACITOR	1uF 6.3V K	1	
	C550	CK73HBB1E103K	C CAPACITOR	0.01uF 25V K	1	
	C601	CE32CB0J331M	E CAPACITOR	330uF 6.3V M	1	
	C603	CK73FBB0J106K	C CAPACITOR	10uF 6.3V K	1	
	C604	CK73HBB1H102K	C CAPACITOR	1000pF 50V K	1	
	C606	CK73HBB1H682K	C CAPACITOR	6800pF 50V K	1	
	C607	CK73HBB1C104K	C CAPACITOR	0.1uF 16V K	1	
	C608	CK730BY1E106K	C CAPACITOR	10uF 25V K	1	
	C611	CE32CB0J331M	E CAPACITOR	330uF 6.3V M	1	
	C613	CK73FBB0J106K	C CAPACITOR	10uF 6.3V K	1	
	C614	CK73HBB1H102K	C CAPACITOR	1000pF 50V K	1	
	C616	CK73HBB1H682K	C CAPACITOR	6800pF 50V K	1	
	C617	CK73HBB1C104K	C CAPACITOR	0.1uF 16V K	1	
	C618	CK730BY1E106K	C CAPACITOR	10uF 25V K	1	
	C621	CE32CB0J331M	E CAPACITOR	330uF 6.3V M	1	
	C623	CK73FBB0J106K	C CAPACITOR	10uF 6.3V K	1	
	C624	CK73HBB1H102K	C CAPACITOR	1000pF 50V K	1	
	C626	CK73HBB1H682K	C CAPACITOR	6800pF 50V K	1	
	C627	CK73HBB1C104K	C CAPACITOR	0.1uF 16V K	1	
	C628	CK730BY1E106K	C CAPACITOR	10uF 25V K	1	
	C631	CK730AU0J105K	C CAPACITOR	1uF 6.3V K	1	
	C632	CK730AU0J105K	C CAPACITOR	1uF 6.3V K	1	
	C633	CK730AU0J105K	C CAPACITOR	1uF 6.3V K	1	
	C634	CK730AU0J105K	C CAPACITOR	1uF 6.3V K	1	
	C635	CK730AU0J105K	C CAPACITOR	1uF 6.3V K	1	
	C636	CK730AU0J105K	C CAPACITOR	1uF 6.3V K	1	
	C637	CK730AU0J105K	C CAPACITOR	1uF 6.3V K	1	
	C638	CK730AU0J105K	C CAPACITOR	1uF 6.3V K	1	
	C700	CK73HBB1A104K	C CAPACITOR	0.1uF 10V K	1	
	C701	CC73HCH1H470J	C CAPACITOR	47pF 50V J	1	
	C702	CK73HBB1A104K	C CAPACITOR	0.1uF 10V K	1	
	C703	CC73HCH1H470J	C CAPACITOR	47pF 50V J	1	
	C704	CK73HBB1A104K	C CAPACITOR	0.1uF 10V K	1	
	C705	CK73HBB1A104K	C CAPACITOR	0.1uF 10V K	1	
	C706	CK73HBB1H102K	C CAPACITOR	1000pF 50V K	1	
	C707	CK73HBB1A104K	C CAPACITOR	0.1uF 10V K	1	
	C708	CK73HBB1A104K	C CAPACITOR	0.1uF 10V K	1	
	C709	CK73HBB1A104K	C CAPACITOR	0.1uF 10V K	1	
	C710	CK73HBB1A104K	C CAPACITOR	0.1uF 10V K	1	
	C711	CK73HBB1A104K	C CAPACITOR	0.1uF 10V K	1	
	C712	CK73HBB1A104K	C CAPACITOR	0.1uF 10V K	1	
	C713	CK73HBB1A104K	C CAPACITOR	0.1uF 10V K	1	
	C714	CK73HBB1A104K	C CAPACITOR	0.1uF 10V K	1	
	C715	CK73HBB1A104K	C CAPACITOR	0.1uF 10V K	1	
	C716	CK73HBB1A104K	C CAPACITOR	0.1uF 10V K	1	
	C717	CK73HBB1A104K	C CAPACITOR	0.1uF 10V K	1	
	C718	CC73HCH1H080D	C CAPACITOR	8pF 50V D	1	
	C719	CC73HCH1H070D	C CAPACITOR	7pF 50V D	1	
	C720	CK73HBB1A104K	C CAPACITOR	0.1uF 10V K	1	
	C721	CK73HBB1A104K	C CAPACITOR	0.1uF 10V K	1	
	C722	CK73HBB1A104K	C CAPACITOR	0.1uF 10V K	1	
	C723	CK73HBB1H102K	C CAPACITOR	1000pF 50V K	1	
	C742	CK73HBB1A104K	C CAPACITOR	0.1uF 10V K	1	
	C743	CK73HBB1C473K	C CAPACITOR	0.047uF 16V K	1	
	C744	NEZ0067-477X	E CAPACITOR	470uF	1	
	C757	CK73HBB1A104K	C CAPACITOR	0.1uF 10V K	1	
	C801	CK73HBB1H222K	C CAPACITOR	2200pF 50V K	1	
	C802	CK73HBB1H222K	C CAPACITOR	2200pF 50V K	1	
	C803	CK73HBB1H222K	C CAPACITOR	2200pF 50V K	1	
	C804	CK73HBB1H222K	C CAPACITOR	2200pF 50V K	1	
	C805	CK73HBB1A104K	C CAPACITOR	0.1uF 10V K	1	

MODEL	MARK	MODEL	MARK	MODEL	MARK	MODEL	MARK
KW-V51BTJ	A	KW-V51BTU	B	KW-V51BTA	C	KW-V51BTE	D
KW-V51BTJW	E	KW-V51BTEE	F	KW-V51BTEU	G		

Safe	Symbol No.	Parts No.	Parts Name	Description	QTY	Local
	C806	CK73HBB1A104K	C CAPACITOR	0.1uF 10V K	1	
	C812	CK73FBB0J106K	C CAPACITOR	10uF 6.3V K	1	
	C813	CK73HBB1A104K	C CAPACITOR	0.1uF 10V K	1	
	C814	CK73HBB1A104K	C CAPACITOR	0.1uF 10V K	1	
	C815	CK73FXR0J226M	C CAPACITOR	22uF 6.3V M	1	
	C831	CK730BU0J106M	C CAPACITOR	10uF 6.3V M	1	
	C868	CK730AU0J105K	C CAPACITOR	1uF 6.3V K	1	
	C869	CK730AU0J105K	C CAPACITOR	1uF 6.3V K	1	
	C881	CK73FBB1H334K	C CAPACITOR	0.33uF 50V K	1	
	C882	CK73HBB1E103K	C CAPACITOR	0.01uF 25V K	1	
	C951	CK73FBB0J106K	C CAPACITOR	10uF 6.3V K	1	
	C952	CK73FBB0J106K	C CAPACITOR	10uF 6.3V K	1	
	R3	RK73GB2A000J	MG RESISTOR	0Ω 1/10W J	1	
	R4	RK73GB2A000J	MG RESISTOR	0Ω 1/10W J	1	
	R102	RK73HB1J220J	MG RESISTOR	22Ω 1/16W J	1	
	R103	RK73HB1J220J	MG RESISTOR	22Ω 1/16W J	1	
	R110	RK73HB1J220J	MG RESISTOR	22Ω 1/16W J	1	
	R111	RK73HB1J220J	MG RESISTOR	22Ω 1/16W J	1	
	R119	RK73HB1J223J	MG RESISTOR	22kΩ 1/16W J	1	
	R120	RK73HB1J223J	MG RESISTOR	22kΩ 1/16W J	1	
	R122	RK73HB1J102J	MG RESISTOR	1kΩ 1/16W J	1	
	R123	RK73HB1J223J	MG RESISTOR	22kΩ 1/16W J	1	
	R124	RK73HB1J102J	MG RESISTOR	1kΩ 1/16W J	1	
	R125	RK73HB1J223J	MG RESISTOR	22kΩ 1/16W J	1	
	R126	RK73HB1J223J	MG RESISTOR	22kΩ 1/16W J	1	
	R127	RK73HB1J101J	MG RESISTOR	100Ω 1/16W J	1	
	R128	RK73HB1J101J	MG RESISTOR	100Ω 1/16W J	1	
	R129	RK73HB1J220J	MG RESISTOR	22Ω 1/16W J	1	
	R130	RK73HB1J220J	MG RESISTOR	22Ω 1/16W J	1	
	R131	RK73HB1J220J	MG RESISTOR	22Ω 1/16W J	1	
	R132	RK73HB1J101J	MG RESISTOR	100Ω 1/16W J	1	
	R135	RK73HB1J220J	MG RESISTOR	22Ω 1/16W J	1	
	R136	RK73HB1J220J	MG RESISTOR	22Ω 1/16W J	1	
	R137	RK73HB1J220J	MG RESISTOR	22Ω 1/16W J	1	
	R138	RK73HB1J220J	MG RESISTOR	22Ω 1/16W J	1	
	R139	RK73HB1J220J	MG RESISTOR	22Ω 1/16W J	1	
	R140	RK73HB1J220J	MG RESISTOR	22Ω 1/16W J	1	
	R141	RK73HB1J220J	MG RESISTOR	22Ω 1/16W J	1	
	R142	RK73HB1J220J	MG RESISTOR	22Ω 1/16W J	1	
	R144	RK73HB1J220J	MG RESISTOR	22Ω 1/16W J	1	
	R145	RK73HB1J220J	MG RESISTOR	22Ω 1/16W J	1	
	R146	RK73HB1J101J	MG RESISTOR	100Ω 1/16W J	1	
	R147	RK73HB1J101J	MG RESISTOR	100Ω 1/16W J	1	
	R148	RK73HB1J220J	MG RESISTOR	22Ω 1/16W J	1	
	R149	RK73HB1J220J	MG RESISTOR	22Ω 1/16W J	1	
	R152	RK73HB1J220J	MG RESISTOR	22Ω 1/16W J	1	
	R157	RK73HB1J220J	MG RESISTOR	22Ω 1/16W J	1	
	R158	RK73HB1J220J	MG RESISTOR	22Ω 1/16W J	1	
	R163	RK73HH1J44R2D	MG RESISTOR	44.2Ω 1/16W D	1	
	R164	RK73HB1J101J	MG RESISTOR	100Ω 1/16W J	1	
	R165	RK73HH1J44R2D	MG RESISTOR	44.2Ω 1/16W D	1	
	R166	RK73HB1J104J	MG RESISTOR	100kΩ 1/16W J	1	
	R176	RK73HB1J220J	MG RESISTOR	22Ω 1/16W J	1	
	R178	RK73HB1J220J	MG RESISTOR	22Ω 1/16W J	1	
	R179	RK73HB1J220J	MG RESISTOR	22Ω 1/16W J	1	
	R180	RK73HB1J220J	MG RESISTOR	22Ω 1/16W J	1	
	R181	RK73HB1J220J	MG RESISTOR	22Ω 1/16W J	1	
	R182	RK73HB1J220J	MG RESISTOR	22Ω 1/16W J	1	
	R184	RK73HB1J220J	MG RESISTOR	22Ω 1/16W J	1	
	R185	RK73HB1J220J	MG RESISTOR	22Ω 1/16W J	1	
	R186	RK73HB1J220J	MG RESISTOR	22Ω 1/16W J	1	
	R187	RK73HB1J220J	MG RESISTOR	22Ω 1/16W J	1	
	R188	RK73HB1J220J	MG RESISTOR	22Ω 1/16W J	1	
	R189	RK73HB1J220J	MG RESISTOR	22Ω 1/16W J	1	
	R196	RK73HB1J220J	MG RESISTOR	22Ω 1/16W J	1	
	R197	RK73HB1J220J	MG RESISTOR	22Ω 1/16W J	1	
	R198	RK73HB1J220J	MG RESISTOR	22Ω 1/16W J	1	
	R199	RK73HB1J220J	MG RESISTOR	22Ω 1/16W J	1	
	R202	RK73HB1J220J	MG RESISTOR	22Ω 1/16W J	1	
	R204	RK73HB1J472J	MG RESISTOR	4.7kΩ 1/16W J	1	
	R205	RK73HB1J106J	MG RESISTOR	10MΩ 1/16W J	1	
	R206	RK73HB1J105J	MG RESISTOR	1MΩ 1/16W J	1	
	R207	RK73HB1J334J	MG RESISTOR	330kΩ 1/16W J	1	
	R208	RK73HB1J222J	MG RESISTOR	2.2kΩ 1/16W J	1	
	R209	RK73HB1J223J	MG RESISTOR	22kΩ 1/16W J	1	
	R210	RK73HB1J222J	MG RESISTOR	2.2kΩ 1/16W J	1	
	R211	RK73HB1J223J	MG RESISTOR	22kΩ 1/16W J	1	
	R212	RK73HB1J222J	MG RESISTOR	2.2kΩ 1/16W J	1	
	R213	RK73HB1J101J	MG RESISTOR	100Ω 1/16W J	1	
	R214	RK73HB1J222J	MG RESISTOR	2.2kΩ 1/16W J	1	
	R215	RK73HB1J223J	MG RESISTOR	22kΩ 1/16W J	1	
	R216	RK73HB1J222J	MG RESISTOR	2.2kΩ 1/16W J	1	
	R218	RK73HB1J222J	MG RESISTOR	2.2kΩ 1/16W J	1	
	R222	RK73HB1J102J	MG RESISTOR	1kΩ 1/16W J	1	
	R224	RK73HB1J220J	MG RESISTOR	22Ω 1/16W J	1	
	R227	RK73HB1J222J	MG RESISTOR	2.2kΩ 1/16W J	1	
	R228	RK73HB1J222J	MG RESISTOR	2.2kΩ 1/16W J	1	
	R236	RK73HB1J223J	MG RESISTOR	22kΩ 1/16W J	1	
	R251	RK73HB1J223J	MG RESISTOR	22kΩ 1/16W J	1	
	R308	RK73HB1J220J	MG RESISTOR	22Ω 1/16W J	1	
	R309	RK73HB1J220J	MG RESISTOR	22Ω 1/16W J	1	

MODEL	MARK	MODEL	MARK	MODEL	MARK	MODEL	MARK
KW-V51BTJ	A	KW-V51BTU	B	KW-V51BTA	C	KW-V51BTE	D
KW-V51BTJW	E	KW-V51BTEE	F	KW-V51BTEU	G		

Safe	Symbol No.	Parts No.	Parts Name	Description	QTY	Local
	R310	RK73HB1J220J	MG RESISTOR	22Ω 1/16W J	1	
	R311	RK73HB1J223J	MG RESISTOR	22kΩ 1/16W J	1	
	R312	RK73HB1J223J	MG RESISTOR	22kΩ 1/16W J	1	
	R313	RK73HB1J222J	MG RESISTOR	2.2kΩ 1/16W J	1	
	R314	RK73HB1J223J	MG RESISTOR	22kΩ 1/16W J	1	
	R315	RK73HB1J222J	MG RESISTOR	2.2kΩ 1/16W J	1	
	R316	RK73HB1J473J	MG RESISTOR	47kΩ 1/16W J	1	
	R318	RK73HB1J272J	MG RESISTOR	2.7kΩ 1/16W J	1	
	R319	RK73HB1J473J	MG RESISTOR	47kΩ 1/16W J	1	
	R320	RK73HB1J102J	MG RESISTOR	1kΩ 1/16W J	1	
	R321	RK73HB1J223J	MG RESISTOR	22kΩ 1/16W J	1	
	R323	RK73HB1J473J	MG RESISTOR	47kΩ 1/16W J	1	
	R324	RK73HB1J473J	MG RESISTOR	47kΩ 1/16W J	1	
	R326	RK73HB1J223J	MG RESISTOR	22kΩ 1/16W J	1	
	R327	RK73HB1J473J	MG RESISTOR	47kΩ 1/16W J	1	
	R328	RK73HB1J473J	MG RESISTOR	47kΩ 1/16W J	1	
	R329	RK73HB1J223J	MG RESISTOR	22kΩ 1/16W J	1	
	R331	RK73HB1J223J	MG RESISTOR	22kΩ 1/16W J	1	
	R332	RK73HB1J103J	MG RESISTOR	10kΩ 1/16W J	1	
	R333	RK73HB1J272J	MG RESISTOR	2.7kΩ 1/16W J	1	
	R336	RK73HB1J102J	MG RESISTOR	1kΩ 1/16W J	1	
	R338	RK73HB1J220J	MG RESISTOR	22Ω 1/16W J	1	
	R339	RK73HB1J220J	MG RESISTOR	22Ω 1/16W J	1	
	R340	RK73HB1J220J	MG RESISTOR	22Ω 1/16W J	1	
	R341	RK73HB1J220J	MG RESISTOR	22Ω 1/16W J	1	
	R342	RK73HB1J220J	MG RESISTOR	22Ω 1/16W J	1	
	R343	RK73HB1J220J	MG RESISTOR	22Ω 1/16W J	1	
	R346	RK73HB1J220J	MG RESISTOR	22Ω 1/16W J	1	
	R347	RK73HB1J220J	MG RESISTOR	22Ω 1/16W J	1	
	R348	RK73HB1J220J	MG RESISTOR	22Ω 1/16W J	1	
	R349	RK73HB1J220J	MG RESISTOR	22Ω 1/16W J	1	
	R350	RK73HB1J220J	MG RESISTOR	22Ω 1/16W J	1	
	R351	RK73HB1J220J	MG RESISTOR	22Ω 1/16W J	1	
	R352	RK73HB1J220J	MG RESISTOR	22Ω 1/16W J	1	
	R353	RK73HB1J220J	MG RESISTOR	22Ω 1/16W J	1	
	R354	RK73HB1J220J	MG RESISTOR	22Ω 1/16W J	1	
	R355	RK73HB1J220J	MG RESISTOR	22Ω 1/16W J	1	
	R356	RK73HB1J220J	MG RESISTOR	22Ω 1/16W J	1	
	R358	RK73HH1J241D	MG RESISTOR	240Ω 1/16W D	1	
	R361	RK73HB1J473J	MG RESISTOR	47kΩ 1/16W J	1	
	R362	RK73HB1J473J	MG RESISTOR	47kΩ 1/16W J	1	
	R378	RK73HB1J220J	MG RESISTOR	22Ω 1/16W J	1	
	R379	RK73HB1J472J	MG RESISTOR	4.7kΩ 1/16W J	1	
	R381	RK73HB1J223J	MG RESISTOR	22kΩ 1/16W J	1	
	R382	RK73HB1J101J	MG RESISTOR	100Ω 1/16W J	1	
	R384	RK73HB1J102J	MG RESISTOR	1kΩ 1/16W J	1	
	R385	RK73HB1J680J	MG RESISTOR	68Ω 1/16W J	1	
	R386	RK73HB1J680J	MG RESISTOR	68Ω 1/16W J	1	
	R387	RK73HB1J680J	MG RESISTOR	68Ω 1/16W J	1	
	R388	RK73HB1J680J	MG RESISTOR	68Ω 1/16W J	1	
	R389	RK73HB1J680J	MG RESISTOR	68Ω 1/16W J	1	
	R390	RK73HB1J680J	MG RESISTOR	68Ω 1/16W J	1	
	R391	RK73HB1J680J	MG RESISTOR	68Ω 1/16W J	1	
	R392	RK73HB1J680J	MG RESISTOR	68Ω 1/16W J	1	
	R393	RK73HB1J680J	MG RESISTOR	68Ω 1/16W J	1	
	R394	RK73HB1J680J	MG RESISTOR	68Ω 1/16W J	1	
	R395	RK73HB1J680J	MG RESISTOR	68Ω 1/16W J	1	
	R396	RK73HB1J680J	MG RESISTOR	68Ω 1/16W J	1	
	R397	RK73HB1J680J	MG RESISTOR	68Ω 1/16W J	1	
	R398	RK73HB1J680J	MG RESISTOR	68Ω 1/16W J	1	
	R399	RK73HB1J680J	MG RESISTOR	68Ω 1/16W J	1	
	R404	RK73HB1J220J	MG RESISTOR	22Ω 1/16W J	1	
	R405	RK73HB1J220J	MG RESISTOR	22Ω 1/16W J	1	
	R406	RK73HB1J220J	MG RESISTOR	22Ω 1/16W J	1	
	R407	RK73HB1J220J	MG RESISTOR	22Ω 1/16W J	1	
	R408	RK73HB1J220J	MG RESISTOR	22Ω 1/16W J	1	
	R409	RK73HB1J220J	MG RESISTOR	22Ω 1/16W J	1	
	R410	RK73HB1J220J	MG RESISTOR	22Ω 1/16W J	1	
	R411	RK73HB1J220J	MG RESISTOR	22Ω 1/16W J	1	
	R412	RK73HB1J220J	MG RESISTOR	22Ω 1/16W J	1	
	R413	RK73HB1J220J	MG RESISTOR	22Ω 1/16W J	1	
	R414	RK73HB1J220J	MG RESISTOR	22Ω 1/16W J	1	
	R415	RK73HB1J220J	MG RESISTOR	22Ω 1/16W J	1	
	R416	RK73HB1J220J	MG RESISTOR	22Ω 1/16W J	1	
	R417	RK73HB1J220J	MG RESISTOR	22Ω 1/16W J	1	
	R418	RK73HB1J220J	MG RESISTOR	22Ω 1/16W J	1	
	R419	RK73HB1J220J	MG RESISTOR	22Ω 1/16W J	1	
	R420	RK73HB1J220J	MG RESISTOR	22Ω 1/16W J	1	
	R421	RK73HB1J103J	MG RESISTOR	10kΩ 1/16W J	1	
	R422	RK73HB1J472J	MG RESISTOR	4.7kΩ 1/16W J	1	
	R423	RK73HB1J332J	MG RESISTOR	3.3kΩ 1/16W J	1	
	R427	RK73HH1J103D	MG RESISTOR	10kΩ 1/16W D	1	
	R429	RK73HH1J103D	MG RESISTOR	10kΩ 1/16W D	1	
	R432	RK73HH1J241D	MG RESISTOR	240Ω 1/16W D	1	
	R438	RK73HB1J220J	MG RESISTOR	22Ω 1/16W J	1	
	R440	RK73HB1J220J	MG RESISTOR	22Ω 1/16W J	1	
	R444	RK73HH1J103D	MG RESISTOR	10kΩ 1/16W D	1	
	R445	RK73HH1J103D	MG RESISTOR	10kΩ 1/16W D	1	
	R446	RK73HB1J223J	MG RESISTOR	22kΩ 1/16W J	1	
	R500	RK73HB1J681J	MG RESISTOR	680Ω 1/16W J	1	

MODEL	MARK	MODEL	MARK	MODEL	MARK	MODEL	MARK
KW-V51BTJ	A	KW-V51BTU	B	KW-V51BTA	C	KW-V51BTE	D
KW-V51BTJW	E	KW-V51BTEE	F	KW-V51BTEU	G		

Safe	Symbol No.	Parts No.	Parts Name	Description	QTY	Local
R501		RK73HB1J105J	MG RESISTOR	1MΩ 1/16W J	1	
R502		RK73HH1J121D	MG RESISTOR	120Ω 1/16W D	1	
R503		RK73HH1J151D	MG RESISTOR	150Ω 1/16W D	1	
R504		RK73HB1J103J	MG RESISTOR	10kΩ 1/16W J	1	
R505		RK73HB1J220J	MG RESISTOR	22Ω 1/16W J	1	
R507		RK73HB1J101J	MG RESISTOR	100Ω 1/16W J	1	
R508		RK73HB1J100J	MG RESISTOR	10Ω 1/16W J	1	
R509		RK73HH1J750D	MG RESISTOR	75Ω 1/16W D	1	
R510		RK73HH1J750D	MG RESISTOR	75Ω 1/16W D	1	
R511		RK73HH1J750D	MG RESISTOR	75Ω 1/16W D	1	
R512		RK73HH1J201D	MG RESISTOR	200Ω 1/16W D	1	
R514		RK73HH1J362D	MG RESISTOR	3.6kΩ 1/16W D	1	
R515		RK73HB1J223J	MG RESISTOR	22kΩ 1/16W J	1	
R516		RK73HB1J223J	MG RESISTOR	22kΩ 1/16W J	1	
R517		RK73HB1J103J	MG RESISTOR	10kΩ 1/16W J	1	
R526		RK73HB1J223J	MG RESISTOR	22kΩ 1/16W J	1	
R527		RK73HB1J680J	MG RESISTOR	68Ω 1/16W J	1	
R528		RK73HB1J101J	MG RESISTOR	100Ω 1/16W J	1	
R529		RK73HB1J101J	MG RESISTOR	100Ω 1/16W J	1	
R530		RK73HB1J101J	MG RESISTOR	100Ω 1/16W J	1	
R531		RK73HB1J101J	MG RESISTOR	100Ω 1/16W J	1	
R532		RK73HB1J101J	MG RESISTOR	100Ω 1/16W J	1	
R533		RK73HB1J101J	MG RESISTOR	100Ω 1/16W J	1	
R534		RK73HB1J101J	MG RESISTOR	100Ω 1/16W J	1	
R535		RK73HB1J101J	MG RESISTOR	100Ω 1/16W J	1	
R536		RK73HB1J223J	MG RESISTOR	22kΩ 1/16W J	1	
R537		RK73GB2A000J	MG RESISTOR	0Ω 1/10W J	1	
R538		RK73HB1J272J	MG RESISTOR	2.7kΩ 1/16W J	1	
R539		RK73HB1J220J	MG RESISTOR	22Ω 1/16W J	1	
R540		RK73HB1J220J	MG RESISTOR	22Ω 1/16W J	1	
R541		RK73HB1J220J	MG RESISTOR	22Ω 1/16W J	1	
R542		RK73HB1J220J	MG RESISTOR	22Ω 1/16W J	1	
R550		RK73HB1J272J	MG RESISTOR	2.7kΩ 1/16W J	1	
R551		RK73HB1J272J	MG RESISTOR	2.7kΩ 1/16W J	1	
R567		RK73HB1J220J	MG RESISTOR	22Ω 1/16W J	1	
R568		RK73HB1J220J	MG RESISTOR	22Ω 1/16W J	1	
R577		RK73HH1J910D	MG RESISTOR	91Ω 1/16W D	1	
R578		RK73HH1J910D	MG RESISTOR	91Ω 1/16W D	1	
R579		RK73HH1J910D	MG RESISTOR	91Ω 1/16W D	1	
R584		RK73HH1J330D	MG RESISTOR	33Ω 1/16W D	1	
R585		RK73HH1J330D	MG RESISTOR	33Ω 1/16W D	1	
R586		RK73HH1J330D	MG RESISTOR	33Ω 1/16W D	1	
R587		RK73HH1J330D	MG RESISTOR	33Ω 1/16W D	1	
R588		RK73HH1J430D	MG RESISTOR	43Ω 1/16W D	1	
R589		RK73HH1J430D	MG RESISTOR	43Ω 1/16W D	1	
R590		RK73HH1J430D	MG RESISTOR	43Ω 1/16W D	1	
R591		RK73HH1J430D	MG RESISTOR	43Ω 1/16W D	1	
R601		RK73HB1J223J	MG RESISTOR	22kΩ 1/16W J	1	
R602		RK73HB1J273J	MG RESISTOR	27kΩ 1/16W J	1	
R603		RK73HB1J223J	MG RESISTOR	22kΩ 1/16W J	1	
R604		RK73HH1J243D	MG RESISTOR	24kΩ 1/16W D	1	
R605		RK73HH1J104D	MG RESISTOR	100kΩ 1/16W D	1	
R606		RK73EB2E100J	MG RESISTOR	10Ω 1/4W J	1	
R608		RK73HB1J103J	MG RESISTOR	10kΩ 1/16W J	1	
R609		RK73HB1J102J	MG RESISTOR	1kΩ 1/16W J	1	
R610		RK73HB1J153J	MG RESISTOR	15kΩ 1/16W J	1	
R611		RK73HB1J102J	MG RESISTOR	1kΩ 1/16W J	1	
R612		RK73HB1J103J	MG RESISTOR	10kΩ 1/16W J	1	
R615		RK73HB1J223J	MG RESISTOR	22kΩ 1/16W J	1	
R616		RK73HB1J273J	MG RESISTOR	27kΩ 1/16W J	1	
R617		RK73HB1J223J	MG RESISTOR	22kΩ 1/16W J	1	
R618		RK73HH1J273D	MG RESISTOR	27kΩ 1/16W D	1	
R619		RK73HH1J114D	MG RESISTOR	110kΩ 1/16W D	1	
R620		RK73EB2E100J	MG RESISTOR	10Ω 1/4W J	1	
R621		RK73HB1J103J	MG RESISTOR	10kΩ 1/16W J	1	
R622		RK73HB1J102J	MG RESISTOR	1kΩ 1/16W J	1	
R623		RK73HB1J153J	MG RESISTOR	15kΩ 1/16W J	1	
R624		RK73HB1J102J	MG RESISTOR	1kΩ 1/16W J	1	
R625		RK73HB1J103J	MG RESISTOR	10kΩ 1/16W J	1	
R630		RK73HB1J223J	MG RESISTOR	22kΩ 1/16W J	1	
R631		RK73HH1J114D	MG RESISTOR	110kΩ 1/16W D	1	
R632		RK73HH1J223D	MG RESISTOR	22kΩ 1/16W D	1	
R633		RK73EB2E100J	MG RESISTOR	10Ω 1/4W J	1	
R634		RK73HB1J103J	MG RESISTOR	10kΩ 1/16W J	1	
R635		RK73HB1J102J	MG RESISTOR	1kΩ 1/16W J	1	
R636		RK73HB1J153J	MG RESISTOR	15kΩ 1/16W J	1	
R637		RK73HB1J102J	MG RESISTOR	1kΩ 1/16W J	1	
R638		RK73HB1J103J	MG RESISTOR	10kΩ 1/16W J	1	
R640		RK73HB1J473J	MG RESISTOR	47kΩ 1/16W J	1	
R641		RK73HB1J102J	MG RESISTOR	1kΩ 1/16W J	1	
R642		RK73HB1J102J	MG RESISTOR	1kΩ 1/16W J	1	
R700		RK73HB1J330J	MG RESISTOR	33Ω 1/16W J	1	
R701		RK73HB1J330J	MG RESISTOR	33Ω 1/16W J	1	
R702		RK73HB1J330J	MG RESISTOR	33Ω 1/16W J	1	
R703		RK73HB1J330J	MG RESISTOR	33Ω 1/16W J	1	
R705		RK73HB1J472J	MG RESISTOR	4.7kΩ 1/16W J	1	
R706		RK73HB1J473J	MG RESISTOR	47kΩ 1/16W J	1	
R707		RK73HB1J101J	MG RESISTOR	100Ω 1/16W J	1	
R708		RK73HB1J330J	MG RESISTOR	33Ω 1/16W J	1	
R709		RK73HB1J472J	MG RESISTOR	4.7kΩ 1/16W J	1	

MODEL	MARK	MODEL	MARK	MODEL	MARK	MODEL	MARK
KW-V51BTJ	A	KW-V51BTU	B	KW-V51BTA	C	KW-V51BTE	D
KW-V51BTJW	E	KW-V51BTEE	F	KW-V51BTEU	G		

Safe	Symbol No.	Parts No.	Parts Name	Description	QTY	Local
	R710	RK73HB1J330J	MG RESISTOR	33Ω 1/16W J	1	
	R711	RK73HB1J330J	MG RESISTOR	33Ω 1/16W J	1	
	R713	RK73HB1J330J	MG RESISTOR	33Ω 1/16W J	1	
	R715	RK73HB1J000J	MG RESISTOR	0Ω 1/16W J	1	
	R716	RK73HB1J101J	MG RESISTOR	100Ω 1/16W J	1	
	R717	RK73HB1J101J	MG RESISTOR	100Ω 1/16W J	1	
	R718	RK73HB1J330J	MG RESISTOR	33Ω 1/16W J	1	
	R719	RK73HB1J302J	MG RESISTOR	3kΩ 1/16W J	1	
	R720	RK73HB1J152J	MG RESISTOR	1.5kΩ 1/16W J	1	
	R731	RK73HB1J330J	MG RESISTOR	33Ω 1/16W J	1	
	R732	RK73HB1J330J	MG RESISTOR	33Ω 1/16W J	1	
	R735	RK73HB1J000J	MG RESISTOR	0Ω 1/16W J	1	
	R738	RK73HB1J330J	MG RESISTOR	33Ω 1/16W J	1	
	R773	RK73HB1J225J	MG RESISTOR	2.2MΩ 1/16W J	1	
	R776	RK73HB1J473J	MG RESISTOR	47kΩ 1/16W J	1	
	R778	RK73HB1J103J	MG RESISTOR	10kΩ 1/16W J	1	
	R779	RK73HB1J103J	MG RESISTOR	10kΩ 1/16W J	1	
	R780	RK73HB1J000J	MG RESISTOR	0Ω 1/16W J	1	
	R789	RK73HB1J000J	MG RESISTOR	0Ω 1/16W J	1	
	R790	RK73HB1J304J	MG RESISTOR	300kΩ 1/16W J	1	
	R791	RK73HB1J391J	MG RESISTOR	390Ω 1/16W J	1	
	R792	RK73HB1J223J	MG RESISTOR	22kΩ 1/16W J	1	
	R801	RK73HB1J101J	MG RESISTOR	100Ω 1/16W J	1	
	R802	RK73HB1J104J	MG RESISTOR	100kΩ 1/16W J	1	
	R803	RK73HB1J221J	MG RESISTOR	220Ω 1/16W J	1	
	R804	RK73HB1J221J	MG RESISTOR	220Ω 1/16W J	1	
	R805	RK73HB1J221J	MG RESISTOR	220Ω 1/16W J	1	
	R806	RK73HB1J221J	MG RESISTOR	220Ω 1/16W J	1	
	R807	RK73HB1J473J	MG RESISTOR	47kΩ 1/16W J	1	
	R808	RK73HB1J223J	MG RESISTOR	22kΩ 1/16W J	1	
	R809	RK73HB1J223J	MG RESISTOR	22kΩ 1/16W J	1	
	R810	RK73HB1J223J	MG RESISTOR	22kΩ 1/16W J	1	
	R811	RK73HB1J220J	MG RESISTOR	22Ω 1/16W J	1	
	R812	RK73HB1J223J	MG RESISTOR	22kΩ 1/16W J	1	
	R831	RK73GB2A100J	MG RESISTOR	10Ω 1/10W J	1	
	R832	RK73GB2A100J	MG RESISTOR	10Ω 1/10W J	1	
	R833	RK73GB2A100J	MG RESISTOR	10Ω 1/10W J	1	
	R834	RK73GB2A100J	MG RESISTOR	10Ω 1/10W J	1	
	R835	RK73GH2A220D	MG RESISTOR	22Ω 1/10W D	1	
	R836	RK73GH2A100D	MG RESISTOR	10Ω 1/10W D	1	
	R837	RK73GH2A220D	MG RESISTOR	22Ω 1/10W D	1	
	R838	RK73GH2A100D	MG RESISTOR	10Ω 1/10W D	1	
	R839	RK73GB2A224J	MG RESISTOR	220kΩ 1/10W J	1	
	R840	RK73HB1J473J	MG RESISTOR	47kΩ 1/16W J	1	
	R841	RK73HB1J222J	MG RESISTOR	2.2kΩ 1/16W J	1	
	R842	RK73HB1J473J	MG RESISTOR	47kΩ 1/16W J	1	
	R843	RK73HB1J222J	MG RESISTOR	2.2kΩ 1/16W J	1	
	R844	RK73HB1J473J	MG RESISTOR	47kΩ 1/16W J	1	
	R845	RK73HB1J222J	MG RESISTOR	2.2kΩ 1/16W J	1	
	R846	RK73HB1J473J	MG RESISTOR	47kΩ 1/16W J	1	
	R847	RK73HB1J222J	MG RESISTOR	2.2kΩ 1/16W J	1	
	R848	RK73HB1J103J	MG RESISTOR	10kΩ 1/16W J	1	
	R849	RK73HB1J102J	MG RESISTOR	1kΩ 1/16W J	1	
	R850	RK73HH1J621D	MG RESISTOR	620Ω 1/16W D	1	
	R881	RK73HB1J223J	MG RESISTOR	22kΩ 1/16W J	1	
	R882	RK73HB1J103J	MG RESISTOR	10kΩ 1/16W J	1	
	R883	RK73HB1J471J	MG RESISTOR	470Ω 1/16W J	1	
	R884	RK73HB1J103J	MG RESISTOR	10kΩ 1/16W J	1	
	R885	RK73HB1J472J	MG RESISTOR	4.7kΩ 1/16W J	1	
	RA500	RK74HB1J220J	NET RESISTOR	22Ω 1/16W J	1	
	RA501	RK74HB1J220J	NET RESISTOR	22Ω 1/16W J	1	
	RA502	RK74HB1J220J	NET RESISTOR	22Ω 1/16W J	1	
	RA503	RK74HB1J220J	NET RESISTOR	22Ω 1/16W J	1	
	RA504	RK74HB1J220J	NET RESISTOR	22Ω 1/16W J	1	
	RA505	RK74HB1J220J	NET RESISTOR	22Ω 1/16W J	1	
	RA700	RK74HB1J330J	NET RESISTOR	33Ω 1/16W J	1	
	RA701	RK74HB1J330J	NET RESISTOR	33Ω 1/16W J	1	
	RA702	RK74HB1J330J	NET RESISTOR	33Ω 1/16W J	1	
	RA703	RK74HB1J330J	NET RESISTOR	33Ω 1/16W J	1	
	RA704	RK74HB1J330J	NET RESISTOR	33Ω 1/16W J	1	
	RA705	RK74HB1J330J	NET RESISTOR	33Ω 1/16W J	1	
	L225	LR73Z0AD4R7M	CHIP INDUCTOR	4.7uH	1	
	L601	LR79Z0DE220M	CHIP INDUCTOR	22uH	1	
	L602	LR79Z0DE220M	CHIP INDUCTOR	22uH	1	
	L603	LR79Z0AV100M	CHIP INDUCTOR	10uH	1	
	L765	LR73Z0AD4R7M	CHIP INDUCTOR	4.7uH	1	
	L831	NQL77GK-100X	INDUCTOR	10uH K	1	
	CN1	QGA2001F6-05X	W TO B CONNE	W-B (1-5)	1	
	CN2	QGA1002C1-04X	W TO B CONNE	W-B (1-4)	1	
	CN101	QGF0534F7-60X	FFC/FPC CONNE	FFC/FPC (1-60)	1	
	CN102	QGF0534F7-20X	FFC/FPC CONNE	FFC/FPC (1-20)	1	
	CN103	QGF0534F7-15X	FFC/FPC CONNE	FFC/FPC (1-15)	1	
	CN305	QGF0534F7-20X	FFC/FPC CONNE	FFC/FPC (1-20)	1	
	CN881	QGA2501C1-02	W TO B CONNE	W-B (1-2)	1	
△	F881	NMFZ032-4R0X-H	FUSE	4A	1	
	J700	NNZ0292-001X	HDMI CONNECTOR		1	
	VA1	NAF0031-001X	ESD SUPPRESSOR		1	
	VA2	NAF0031-001X	ESD SUPPRESSOR		1	
	VA700	NAF0019-001X	VARIATOR(ZNR)		1	
	VA701	NAF0019-001X	VARIATOR(ZNR)		1	
	VA702	NAF0019-001X	VARIATOR(ZNR)		1	
	VA703	NAF0019-001X	VARIATOR(ZNR)		1	

MODEL	MARK	MODEL	MARK	MODEL	MARK	MODEL	MARK
KW-V51BTJ	A	KW-V51BTU	B	KW-V51BTA	C	KW-V51BTE	D
KW-V51BTJW	E	KW-V51BTEE	F	KW-V51BTEU	G		

Safe	Symbol No.	Parts No.	Parts Name	Description	QTY	Local
	VA704	NAF0019-001X	VARISTOR(ZNR)		1	
	VA705	NAF0019-001X	VARISTOR(ZNR)		1	
	X100	NAX1256-001X	CRYSTAL		1	
	X101	NAX1168-001X	CRYSTAL		1	
	X500	NAX1145-001X	CRYSTAL		1	
	X700	L7J-0052-00	QUARTZ CRYSTAL		1	
VIDEO PWB ASSY (XJ8-0020-12) <04>						
	IC401	MST7912MD-I	IC		1	
	IC402	W3F-0042-00	IC		1	
	IC403	XC6223D331PG-X	IC		1	
	IC404	XC6223D331PG-X	IC		1	
	IC405	XC6223D331PG-X	IC		1	
	IC406	XC6223B121PG-X	IC		1	
	IC501	NJM2831F92-X	SV-ANALOGUE IC		1	
	IC511	BA2904FVM	MOS IC		1	
	Q4001	LTC014YEBFS8	DIGI TRANSISTOR		1	
	Q5201	LTC014EEBFS8	DIGI TRANSISTOR		1	
	Q5202	LSCR523UBFS8	TRANSISTOR		1	
	Q5203	LSCR523UBFS8	TRANSISTOR		1	
	Q5301	LSAR523UBFS8	TRANSISTOR		1	
	Q5302	LSAR523UBFS8	TRANSISTOR		1	
	D5201	DA2J101	DIODE		1	
	D5202	DZ2J180M	ZENER DIODE		1	
	C4005	CC73HCH1H470J	C CAPACITOR	47pF 50V J	1	
	C4006	CK73HBB1A104K	C CAPACITOR	0.1uF 10V K	1	
	C4007	CK73HBB1A104K	C CAPACITOR	0.1uF 10V K	1	
	C4008	CK73HBB1C103K	C CAPACITOR	0.01uF 16V K	1	
	C4009	CK73HBB1A104K	C CAPACITOR	0.1uF 10V K	1	
	C4010	CK73HBB1A104K	C CAPACITOR	0.1uF 10V K	1	
	C4011	CK73HBB1A104K	C CAPACITOR	0.1uF 10V K	1	
	C4012	CK73HBB1A104K	C CAPACITOR	0.1uF 10V K	1	
	C4013	CK73HBB1A104K	C CAPACITOR	0.1uF 10V K	1	
	C4014	CK73HBB1A104K	C CAPACITOR	0.1uF 10V K	1	
	C4015	CK73HBB1A104K	C CAPACITOR	0.1uF 10V K	1	
	C4016	CK73HBB1A104K	C CAPACITOR	0.1uF 10V K	1	
	C4017	CK73HBB1A104K	C CAPACITOR	0.1uF 10V K	1	
	C4018	CK73HBB1A104K	C CAPACITOR	0.1uF 10V K	1	
	C4019	CK73HBB1A104K	C CAPACITOR	0.1uF 10V K	1	
	C4020	CK73HBB1A104K	C CAPACITOR	0.1uF 10V K	1	
	C4021	CK73HBB1A104K	C CAPACITOR	0.1uF 10V K	1	
	C4022	CK73HBB1A104K	C CAPACITOR	0.1uF 10V K	1	
	C4023	CK73HBB1A104K	C CAPACITOR	0.1uF 10V K	1	
	C4025	CK73HBB1A104K	C CAPACITOR	0.1uF 10V K	1	
	C4026	CK73HBB1A104K	C CAPACITOR	0.1uF 10V K	1	
	C4027	CK73HBB1A104K	C CAPACITOR	0.1uF 10V K	1	
	C4028	NCB20JK-106X	C CAPACITOR	10uF 6.3V K	1	
	C4029	NCB20JK-106X	C CAPACITOR	10uF 6.3V K	1	
	C4030	CK730BW0J226M	C CAPACITOR	22uF 6.3V M	1	
	C4031	CC73HCH1H102J	C CAPACITOR	1000pF 50V J	1	
	C4033	CC73HCH1H102J	C CAPACITOR	1000pF 50V J	1	
	C4034	CK73HBB1A104K	C CAPACITOR	0.1uF 10V K	1	
	C4035	CK73HBB1A104K	C CAPACITOR	0.1uF 10V K	1	
	C4036	CK730BS0J105K	C CAPACITOR	1uF 6.3V K	1	
	C4037	CK73HBB1A104K	C CAPACITOR	0.1uF 10V K	1	
	C4040	CC73HCH1H180J	C CAPACITOR	18pF 50V J	1	
	C4041	CC73HCH1H180J	C CAPACITOR	18pF 50V J	1	
	C4042	CK73HBB1A104K	C CAPACITOR	0.1uF 10V K	1	
	C4043	NCB20JK-106X	C CAPACITOR	10uF 6.3V K	1	
	C4044	CK73HBB1A104K	C CAPACITOR	0.1uF 10V K	1	
	C4045	CK730AU0J105K	C CAPACITOR	1uF 6.3V K	1	
	C4046	CK730AU0J105K	C CAPACITOR	1uF 6.3V K	1	
	C4047	CK73HBB1A104K	C CAPACITOR	0.1uF 10V K	1	
	C4048	CK730AU0J105K	C CAPACITOR	1uF 6.3V K	1	
	C4049	CK730AU0J105K	C CAPACITOR	1uF 6.3V K	1	
	C4050	CK730AU0J105K	C CAPACITOR	1uF 6.3V K	1	
	C4051	CK730AU0J105K	C CAPACITOR	1uF 6.3V K	1	
	C4060	CK730AU0J105K	C CAPACITOR	1uF 6.3V K	1	
	C4061	CK730AU0J105K	C CAPACITOR	1uF 6.3V K	1	
	C5001	NCB31HK-104X	C CAPACITOR	0.1uF 50V K	1	
	C5002	CK73HBB1C104K	C CAPACITOR	0.1uF 16V K	1	
	C5003	NCB20JK-106X	C CAPACITOR	10uF 6.3V K	1	
	C5004	CK730BW1C106K	C CAPACITOR	10uF 16V K	1	
	C5005	CK730AU0J105K	C CAPACITOR	1uF 6.3V K	1	
	C5010	NCB31CK-105X	C CAPACITOR	1uF 16V K	1	
	C5011	NCB31HK-104X	C CAPACITOR	0.1uF 50V K	1	
	C5103	CK73HBB1C104K	C CAPACITOR	0.1uF 16V K	1	
	C5201	NCB31HK-104X	C CAPACITOR	0.1uF 50V K	1	
	C5202	NCB21EK-105X	C CAPACITOR	1uF 25V K	1	
	C5203	NCB31HK-104X	C CAPACITOR	0.1uF 50V K	1	
	C5301	CK73HBB1C104K	C CAPACITOR	0.1uF 16V K	1	
	C5302	CK73HBB1A104K	C CAPACITOR	0.1uF 10V K	1	
	R4001	RK73HB1J220J	MG RESISTOR	22Ω 1/16W J	1	
	R4002	RK73HH1J330D	MG RESISTOR	33Ω 1/16W D	1	
	R4003	RK73HH1J330D	MG RESISTOR	33Ω 1/16W D	1	
	R4004	RK73HH1J330D	MG RESISTOR	33Ω 1/16W D	1	
	R4005	RK73HH1J330D	MG RESISTOR	33Ω 1/16W D	1	
	R4006	RK73HH1J131D	MG RESISTOR	130Ω 1/16W D	1	
	R4007	RK73HH1J131D	MG RESISTOR	130Ω 1/16W D	1	
	R4008	RK73HH1J131D	MG RESISTOR	130Ω 1/16W D	1	
	R4010	RK73HB1J102J	MG RESISTOR	1kΩ 1/16W J	1	
	R4011	RK73HB1J102J	MG RESISTOR	1kΩ 1/16W J	1	

MODEL	MARK	MODEL	MARK	MODEL	MARK	MODEL	MARK
KW-V51BTJ	A	KW-V51BTU	B	KW-V51BTA	C	KW-V51BTE	D
KW-V51BTJW	E	KW-V51BTEE	F	KW-V51BTEU	G		

Safe	Symbol No.	Parts No.	Parts Name	Description	QTY	Local
	R4012	RK73HB1J000J	MG RESISTOR	0Ω 1/16W J	1	
	R4013	RK73HH1J470D	MG RESISTOR	47Ω 1/16W D	1	
	R4014	RK73HH1J470D	MG RESISTOR	47Ω 1/16W D	1	
	R4015	RK73HH1J470D	MG RESISTOR	47Ω 1/16W D	1	
	R4017	RK73HB1J680J	MG RESISTOR	68Ω 1/16W J	1	
	R4018	RK73HB1J680J	MG RESISTOR	68Ω 1/16W J	1	
	R4019	RK73HB1J101J	MG RESISTOR	100Ω 1/16W J	1	
	R4020	RK73HB1J101J	MG RESISTOR	100Ω 1/16W J	1	
	R4022	RK73HB1J473J	MG RESISTOR	47kΩ 1/16W J	1	
	R4023	RK73HB1J473J	MG RESISTOR	47kΩ 1/16W J	1	
	R4024	RK73HB1J330J	MG RESISTOR	33Ω 1/16W J	1	
	R4025	RK73HB1J330J	MG RESISTOR	33Ω 1/16W J	1	
	R4026	RK73HB1J330J	MG RESISTOR	33Ω 1/16W J	1	
	R4027	RK73HB1J101J	MG RESISTOR	100Ω 1/16W J	1	
	R4028	RK73HB1J103J	MG RESISTOR	10kΩ 1/16W J	1	
	R4029	RK73HB1J472J	MG RESISTOR	4.7kΩ 1/16W J	1	
	R4030	RK73HB1J470J	MG RESISTOR	47Ω 1/16W J	1	
	R4031	RK73HB1J472J	MG RESISTOR	4.7kΩ 1/16W J	1	
	R4032	RK73HB1J102J	MG RESISTOR	1kΩ 1/16W J	1	
	R4033	RK73HB1J101J	MG RESISTOR	100Ω 1/16W J	1	
	R4034	RK73HB1J101J	MG RESISTOR	100Ω 1/16W J	1	
	R4035	RK73HB1J472J	MG RESISTOR	4.7kΩ 1/16W J	1	
	R4036	RK73HB1J472J	MG RESISTOR	4.7kΩ 1/16W J	1	
	R4037	RK73HB1J101J	MG RESISTOR	100Ω 1/16W J	1	
	R4038	RK73HB1J472J	MG RESISTOR	4.7kΩ 1/16W J	1	
	R4039	RK73HB1J101J	MG RESISTOR	100Ω 1/16W J	1	
	R4040	RK73HB1J101J	MG RESISTOR	100Ω 1/16W J	1	
	R4041	RK73HB1J330J	MG RESISTOR	33Ω 1/16W J	1	
	R4043	RK73HB1J101J	MG RESISTOR	100Ω 1/16W J	1	
	R4044	RK73HB1J101J	MG RESISTOR	100Ω 1/16W J	1	
	R4045	RK73HB1J101J	MG RESISTOR	100Ω 1/16W J	1	
	R4046	RK73HB1J101J	MG RESISTOR	100Ω 1/16W J	1	
	R4047	RK73HB1J470J	MG RESISTOR	47Ω 1/16W J	1	
	R4048	RK73HB1J101J	MG RESISTOR	100Ω 1/16W J	1	
	R4049	RK73HB1J470J	MG RESISTOR	47Ω 1/16W J	1	
	R4050	RK73HB1J101J	MG RESISTOR	100Ω 1/16W J	1	
	R4051	RK73HB1J101J	MG RESISTOR	100Ω 1/16W J	1	
	R4052	RK73HB1J101J	MG RESISTOR	100Ω 1/16W J	1	
	R4053	RK73HB1J102J	MG RESISTOR	1kΩ 1/16W J	1	
	R4054	RK73HB1J105J	MG RESISTOR	1MΩ 1/16W J	1	
	R4055	RK73HB1J101J	MG RESISTOR	100Ω 1/16W J	1	
	R4057	RK73HB1J102J	MG RESISTOR	1kΩ 1/16W J	1	
	R4058	RK73HB1J101J	MG RESISTOR	100Ω 1/16W J	1	
	R4060	RK73HB1J102J	MG RESISTOR	1kΩ 1/16W J	1	
	R4062	RK73HB1J102J	MG RESISTOR	1kΩ 1/16W J	1	
	R4063	RK73HB1J101J	MG RESISTOR	100Ω 1/16W J	1	
	R4064	RK73HB1J473J	MG RESISTOR	47kΩ 1/16W J	1	
	R4065	RK73HB1J102J	MG RESISTOR	1kΩ 1/16W J	1	
	R4066	RK73HB1J470J	MG RESISTOR	47Ω 1/16W J	1	
	R4067	RK73HB1J470J	MG RESISTOR	47Ω 1/16W J	1	
	R4068	RK73HB1J473J	MG RESISTOR	47kΩ 1/16W J	1	
	R4069	RK73HB1J473J	MG RESISTOR	47kΩ 1/16W J	1	
	R4601	RK73HB1J000J	MG RESISTOR	0Ω 1/16W J	1	
	R4605	RK73HB1J000J	MG RESISTOR	0Ω 1/16W J	1	
	R4607	RK73HB1J000J	MG RESISTOR	0Ω 1/16W J	1	
	R4611	RK73HB1J000J	MG RESISTOR	0Ω 1/16W J	1	
	R4612	RK73HB1J000J	MG RESISTOR	0Ω 1/16W J	1	
	R4621	RK73HB1J000J	MG RESISTOR	0Ω 1/16W J	1	
	R4622	RK73HB1J000J	MG RESISTOR	0Ω 1/16W J	1	
	R4631	RK73HB1J000J	MG RESISTOR	0Ω 1/16W J	1	
	R4632	RK73HB1J000J	MG RESISTOR	0Ω 1/16W J	1	
	R4640	RK73HB1J000J	MG RESISTOR	0Ω 1/16W J	1	
	R4646	RK73GB2A000J	MG RESISTOR	0Ω 1/10W J	1	
	R4647	RK73GB2A000J	MG RESISTOR	0Ω 1/10W J	1	
	R5001	RK73HH1J101D	MG RESISTOR	100Ω 1/16W D	1	
	R5002	RK73HH1J161D	MG RESISTOR	160Ω 1/16W D	1	
	R5003	RK73HH1J430D	MG RESISTOR	43Ω 1/16W D	1	
	R5004	RK73HH1J360D	MG RESISTOR	36Ω 1/16W D	1	
	R5005	RK73HH1J101D	MG RESISTOR	100Ω 1/16W D	1	
	R5006	RK73HH1J161D	MG RESISTOR	160Ω 1/16W D	1	
	R5007	RK73HH1J101D	MG RESISTOR	100Ω 1/16W D	1	
	R5008	RK73HH1J360D	MG RESISTOR	36Ω 1/16W D	1	
	R5009	RK73HH1J430D	MG RESISTOR	43Ω 1/16W D	1	
	R5010	RK73HH1J161D	MG RESISTOR	160Ω 1/16W D	1	
	R5011	RK73HH1J620D	MG RESISTOR	62Ω 1/16W D	1	
	R5012	RK73HB1J473J	MG RESISTOR	47kΩ 1/16W J	1	
	R5020	RK73HB1J101J	MG RESISTOR	100Ω 1/16W J	1	
	R5106	RK73HH1J512D	MG RESISTOR	5.1kΩ 1/16W D	1	
	R5107	RK73HH1J302D	MG RESISTOR	3kΩ 1/16W D	1	
	R5109	RK73HB1J105J	MG RESISTOR	1MΩ 1/16W J	1	
	R5201	RK73HB1J473J	MG RESISTOR	47kΩ 1/16W J	1	
	R5203	RK73HB1J183J	MG RESISTOR	18kΩ 1/16W J	1	
	R5204	RK73HB1J183J	MG RESISTOR	18kΩ 1/16W J	1	
	R5205	RK73HB1J471J	MG RESISTOR	470Ω 1/16W J	1	
	R5302	RK73HB1J103J	MG RESISTOR	10kΩ 1/16W J	1	
	R5303	RK73HH1J103D	MG RESISTOR	10kΩ 1/16W D	1	
	R5304	RK73HH1J562D	MG RESISTOR	5.6kΩ 1/16W D	1	
	RA401	RK74HB1J101J	NET RESISTOR	100Ω 1/16W J	1	
	RA402	RK74HB1J101J	NET RESISTOR	100Ω 1/16W J	1	
	RA403	RK74HB1J101J	NET RESISTOR	100Ω 1/16W J	1	
	RA404	RK74HB1J101J	NET RESISTOR	100Ω 1/16W J	1	
	RA405	RK74HB1J101J	NET RESISTOR	100Ω 1/16W J	1	

MODEL	MARK	MODEL	MARK	MODEL	MARK	MODEL	MARK
KW-V51BTJ	A	KW-V51BTU	B	KW-V51BTA	C	KW-V51BTE	D
KW-V51BTJW	E	KW-V51BTEE	F	KW-V51BTEU	G		

Safe	Symbol No.	Parts No.	Parts Name	Description	QTY	Local
	CN401	QGF0534F7-30X	FFC/FPC CONNE	FFC/FPC (1-30)	1	
	CN501	QGF0534F7-60X	FFC/FPC CONNE	FFC/FPC (1-60)	1	
	X4001	NAX1168-001X	CRYSTAL		1	
<b>PANEL-B PWB ASSY (LVA11291-04A) &lt;05&gt;</b>						
△	IC351	CPI-210/BC/-X	SV PHOTO TR		1	
	Q3501	2SC1623/5-6/-X	TRANSISTOR		1	
	Q6010	2SA1577/QR/	TRANSISTOR		1	
	Q6011	LTC014YEBFS8	DIGI TRANSISTOR		1	
	Q6041	LSCR523UBFS8	TRANSISTOR		1	
	Q6042	LSCR523UBFS8	TRANSISTOR		1	
	Q6043	LSCR523UBFS8	TRANSISTOR		1	
	Q6044	LSCR523UBFS8	TRANSISTOR		1	
	Q6045	LSCR523UBFS8	TRANSISTOR		1	
	Q6046	LSCR523UBFS8	TRANSISTOR		1	
	Q6047	LSCR523UBFS8	TRANSISTOR		1	
	Q6048	LSCR523UBFS8	TRANSISTOR		1	
	Q6201	LSCR523UBFS8	TRANSISTOR		1	
	Q6202	LSCR523UBFS8	TRANSISTOR		1	
	Q6203	LSCR523UBFS8	TRANSISTOR		1	
	Q6301	LSCR523UBFS8	TRANSISTOR		1	
	Q6302	LSCR523UBFS8	TRANSISTOR		1	
	Q6303	LSCR523UBFS8	TRANSISTOR		1	
	Q6304	LSCR523UBFS8	TRANSISTOR		1	
	Q6305	LSCR523UBFS8	TRANSISTOR		1	
	Q6306	LSCR523UBFS8	TRANSISTOR		1	
	D6010	DA2J101	DIODE		1	
	D6101	DZ2J062M	ZENER DIODE		1	
	D6102	DZ2J062M	ZENER DIODE		1	
	D6103	DZ2J062M	ZENER DIODE		1	
	D6104	DZ2J062M	ZENER DIODE		1	
	C6101	CC73GCH1H101J	C CAPACITOR	100pF 50V J	1	
	C6102	CC73GCH1H101J	C CAPACITOR	100pF 50V J	1	
	C6103	CC73GCH1H101J	C CAPACITOR	100pF 50V J	1	
	C6104	CC73GCH1H101J	C CAPACITOR	100pF 50V J	1	
	R3501	RK73GB2A751J	MG RESISTOR	750Ω 1/10W J	1	
	R3503	RK73HB1J393J	MG RESISTOR	39kΩ 1/16W J	1	
	R3504	RK73HB1J333J	MG RESISTOR	33kΩ 1/16W J	1	
	R3505	RK73HB1J333J	MG RESISTOR	33kΩ 1/16W J	1	
	R3507	RK73HB1J682J	MG RESISTOR	6.8kΩ 1/16W J	1	
	R3508	RK73HB1J222J	MG RESISTOR	2.2kΩ 1/16W J	1	
	R3509	RK73HB1J102J	MG RESISTOR	1kΩ 1/16W J	1	
	R3510	RK73HB1J151J	MG RESISTOR	150Ω 1/16W J	1	
	R6010	RK73HB1J473J	MG RESISTOR	47kΩ 1/16W J	1	
	R6011	RK73HB1J153J	MG RESISTOR	15kΩ 1/16W J	1	
	R6012	RK73HB1J153J	MG RESISTOR	15kΩ 1/16W J	1	
	R6013	RK73HB1J000J	MG RESISTOR	0Ω 1/16W J	1	
	R6017	RK73HB1J000J	MG RESISTOR	0Ω 1/16W J	1	
	R6018	RK73HB1J000J	MG RESISTOR	0Ω 1/16W J	1	
	R6021	RK73PB2H5R1J	MG RESISTOR	5.1Ω 1/2W J	1	
	R6022	RK73PB2H5R1J	MG RESISTOR	5.1Ω 1/2W J	1	
	R6023	RK73PB2H5R1J	MG RESISTOR	5.1Ω 1/2W J	1	
	R6024	RK73PB2H5R1J	MG RESISTOR	5.1Ω 1/2W J	1	
	R6025	RK73PB2H5R1J	MG RESISTOR	5.1Ω 1/2W J	1	
	R6026	RK73PB2H5R1J	MG RESISTOR	5.1Ω 1/2W J	1	
	R6027	RK73PB2H5R1J	MG RESISTOR	5.1Ω 1/2W J	1	
	R6028	RK73PB2H5R1J	MG RESISTOR	5.1Ω 1/2W J	1	
	R6031	RK73HB1J000J	MG RESISTOR	0Ω 1/16W J	1	
	R6041	RK73HB1J000J	MG RESISTOR	0Ω 1/16W J	1	
	R6042	RK73HH1J151D	MG RESISTOR	150Ω 1/16W D	1	
	R6043	RK73HH1J151D	MG RESISTOR	150Ω 1/16W D	1	
	R6044	RK73HH1J151D	MG RESISTOR	150Ω 1/16W D	1	
	R6045	RK73HH1J151D	MG RESISTOR	150Ω 1/16W D	1	
	R6046	RK73HH1J151D	MG RESISTOR	150Ω 1/16W D	1	
	R6047	RK73HH1J151D	MG RESISTOR	150Ω 1/16W D	1	
	R6048	RK73HH1J151D	MG RESISTOR	150Ω 1/16W D	1	
	R6049	RK73HH1J151D	MG RESISTOR	150Ω 1/16W D	1	
	R6201	RK73HH1J151D	MG RESISTOR	150Ω 1/16W D	1	
	R6202	RK73HH1J151D	MG RESISTOR	150Ω 1/16W D	1	
	R6203	RK73HH1J151D	MG RESISTOR	150Ω 1/16W D	1	
	R6209	RK73HB1J121J	MG RESISTOR	120Ω 1/16W J	1	
	R6301	RK73HH1J561D	MG RESISTOR	560Ω 1/16W D	1	
	R6303	RK73HH1J222D	MG RESISTOR	2.2kΩ 1/16W D	1	
	R6305	RK73HH1J621D	MG RESISTOR	620Ω 1/16W D	1	
	R6307	RK73HB1J473J	MG RESISTOR	47kΩ 1/16W J	1	
	R6308	RK73HB1J473J	MG RESISTOR	47kΩ 1/16W J	1	
	R6309	RK73HB1J473J	MG RESISTOR	47kΩ 1/16W J	1	
	R6310	RK73HB1J000J	MG RESISTOR	0Ω 1/16W J	1	
	R6311	RK73HB1J000J	MG RESISTOR	0Ω 1/16W J	1	
	R6312	RK73HB1J000J	MG RESISTOR	0Ω 1/16W J	1	
	R6321	RK73HH1J561D	MG RESISTOR	560Ω 1/16W D	1	
	R6323	RK73HH1J222D	MG RESISTOR	2.2kΩ 1/16W D	1	
	R6325	RK73HH1J621D	MG RESISTOR	620Ω 1/16W D	1	
	R6327	RK73HB1J473J	MG RESISTOR	47kΩ 1/16W J	1	
	R6328	RK73HB1J473J	MG RESISTOR	47kΩ 1/16W J	1	
	R6329	RK73HB1J473J	MG RESISTOR	47kΩ 1/16W J	1	
	R6330	RK73HB1J000J	MG RESISTOR	0Ω 1/16W J	1	
	R6331	RK73HB1J000J	MG RESISTOR	0Ω 1/16W J	1	
	R6332	RK73HB1J000J	MG RESISTOR	0Ω 1/16W J	1	
	RA601	RK74HB1J102J	NET RESISTOR	1kΩ 1/16W J	1	
	RA602	RK74HB1J102J	NET RESISTOR	1kΩ 1/16W J	1	
	RA603	RK74HB1J102J	NET RESISTOR	1kΩ 1/16W J	1	

MODEL	MARK	MODEL	MARK	MODEL	MARK	MODEL	MARK
KW-V51BTJ	A	KW-V51BTU	B	KW-V51BTA	C	KW-V51BTE	D
KW-V51BTJW	E	KW-V51BTEE	F	KW-V51BTEU	G		

Safe	Symbol No.	Parts No.	Parts Name	Description	QTY	Local
	RA604	RK74HB1J102J	NET RESISTOR	1kΩ 1/16W J	1	
	CN351	QGF0534F7-08X	FFC/FPC CONNE	FFC/FPC (1-8)	1	
	CN352	QGA1002F1-02X	W TO B CONNE	W-B (1-2)	1	
	CN601	QGF0523F6-45W	FFC/FPC CONNE	FFC/FPC (1-45)	1	
	CN602	QGF0534F7-30X	FFC/FPC CONNE	FFC/FPC (1-30)	1	
	CN603	QGF1039F5-04X	FFC/FPC CONNE	FFC/FPC (1-4)	1	
	CN605	QGF0534F7-15X	FFC/FPC CONNE	FFC/FPC (1-15)	1	
	CN607	QGA1002F1-02X	W TO B CONNE	W-B (1-2)	1	
	S3501	NSW0225-001X	DETECT SWITCH		1	
	S3502	NSW0126-001X	DETECT SWITCH		1	
<b>KEY PWB ASSY (LVA11274-02A) &lt;06&gt;</b>						
	IC651	RS-771	IR DETECT UNIT		1	
	D651	SMLP36RGB2W/JX	SV-DIODE		1	
	D652	SMLP36RGB2W/JX	SV-DIODE		1	
	D653	SMLP36RGB2W/JX	SV-DIODE		1	
	D654	SMLP36RGB2W/JX	SV-DIODE		1	
	D656	SMLP36RGB2W/JX	SV-DIODE		1	
	D657	SMLP36RGB2W/JX	SV-DIODE		1	
	D658	SMLP36RGB2W/JX	SV-DIODE		1	
	D659	SMLP36RGB2W/JX	SV-DIODE		1	
	C651	CK73GBB1C104K	C CAPACITOR	0.1uF 16V K	1	
	C652	CK73GBB1C104K	C CAPACITOR	0.1uF 16V K	1	
	C653	CK73GBB1C104K	C CAPACITOR	0.1uF 16V K	1	
	C654	CK73GBB1C104K	C CAPACITOR	0.1uF 16V K	1	
	C655	CK73GBB0J105K	C CAPACITOR	1uF 6.3V K	1	
	R651	RK73GB2A182J	MG RESISTOR	1.8kΩ 1/10W J	1	
	R652	RK73GB2A242J	MG RESISTOR	2.4kΩ 1/10W J	1	
	R653	RK73GB2A302J	MG RESISTOR	3kΩ 1/10W J	1	
	R654	RK73GB2A182J	MG RESISTOR	1.8kΩ 1/10W J	1	
	R655	RK73GB2A242J	MG RESISTOR	2.4kΩ 1/10W J	1	
	CN651	QGF0545F2-15X	FFC/FPC CONNE	FFC/FPC (1-15)	1	
	S651	S7A-0002-00	TACTILE PUSH SW		1	
	S652	S7A-0002-00	TACTILE PUSH SW		1	
	S653	S7A-0002-00	TACTILE PUSH SW		1	
	S654	S7A-0002-00	TACTILE PUSH SW		1	
	S655	S7A-0002-00	TACTILE PUSH SW		1	
	S656	S7A-0002-00	TACTILE PUSH SW		1	
	S657	S7A-0002-00	TACTILE PUSH SW		1	
	S659	NSW0331-001X	TACT SWITCH		1	
<b>BT PWB ASSY (LVA11276-04A) &lt;07&gt;</b>						
	IC301	XC6213B332N-G	MOS IC		1	
	IC310	NJM4565E	BIPOLAR IC		1	
	C3003	CK73GBB1H103K	C CAPACITOR	0.01uF 50V K	1	
	C3004	NCB31HK-104X	C CAPACITOR	0.1uF 50V K	1	
	C3005	CK730AY1C106K	C CAPACITOR	10uF 16V K	1	
	C3006	NCB31CK-105X	C CAPACITOR	1uF 16V K	1	
	C3007	NCB31CK-105X	C CAPACITOR	1uF 16V K	1	
	C3051	CK730AU0J105K	C CAPACITOR	1uF 6.3V K	1	
	C3052	CK730AU0J105K	C CAPACITOR	1uF 6.3V K	1	
	C3101	NCB31CK-105X	C CAPACITOR	1uF 16V K	1	
	C3102	NCB31CK-105X	C CAPACITOR	1uF 16V K	1	
	C3103	CK73HBB1H331K	C CAPACITOR	330pF 50V K	1	
	C3104	CK73HBB1H221K	C CAPACITOR	220pF 50V K	1	
	C3105	CK73HBB1H221K	C CAPACITOR	220pF 50V K	1	
	C3106	NCB31CK-105X	C CAPACITOR	1uF 16V K	1	
	C3107	CK73GBB1H103K	C CAPACITOR	0.01uF 50V K	1	
	C3108	CK730AY1C106K	C CAPACITOR	10uF 16V K	1	
	C3201	NCB31CK-105X	C CAPACITOR	1uF 16V K	1	
	C3202	NCB31CK-105X	C CAPACITOR	1uF 16V K	1	
	C3203	CK73HBB1H331K	C CAPACITOR	330pF 50V K	1	
	C3204	CK73HBB1H221K	C CAPACITOR	220pF 50V K	1	
	C3205	CK73HBB1H221K	C CAPACITOR	220pF 50V K	1	
	C3206	NCB31CK-105X	C CAPACITOR	1uF 16V K	1	
	C3208	CK730AY1C106K	C CAPACITOR	10uF 16V K	1	
	R3000	RK73HB1J222J	MG RESISTOR	2.2kΩ 1/16W J	1	
	R3011	RK73HB1J000J	MG RESISTOR	0Ω 1/16W J	1	
	R3012	RK73HB1J000J	MG RESISTOR	0Ω 1/16W J	1	
	R3013	RK73HB1J000J	MG RESISTOR	0Ω 1/16W J	1	
	R3014	RK73HB1J000J	MG RESISTOR	0Ω 1/16W J	1	
	R3016	RK73HB1J472J	MG RESISTOR	4.7kΩ 1/16W J	1	
	R3018	RK73HB1J222J	MG RESISTOR	2.2kΩ 1/16W J	1	
	R3019	RK73HB1J472J	MG RESISTOR	4.7kΩ 1/16W J	1	
	R3021	RK73HB1J472J	MG RESISTOR	4.7kΩ 1/16W J	1	
	R3101	RK73HB1J153J	MG RESISTOR	15kΩ 1/16W J	1	
	R3102	RK73HB1J153J	MG RESISTOR	15kΩ 1/16W J	1	
	R3103	RK73HB1J153J	MG RESISTOR	15kΩ 1/16W J	1	
	R3104	RK73HB1J472J	MG RESISTOR	4.7kΩ 1/16W J	1	
	R3105	RK73HB1J472J	MG RESISTOR	4.7kΩ 1/16W J	1	
	R3106	RK73HB1J153J	MG RESISTOR	15kΩ 1/16W J	1	
	R3107	RK73HB1J103J	MG RESISTOR	10kΩ 1/16W J	1	
	R3108	RK73HB1J103J	MG RESISTOR	10kΩ 1/16W J	1	
	R3201	RK73HB1J153J	MG RESISTOR	15kΩ 1/16W J	1	
	R3202	RK73HB1J153J	MG RESISTOR	15kΩ 1/16W J	1	
	R3203	RK73HB1J153J	MG RESISTOR	15kΩ 1/16W J	1	
	R3204	RK73HB1J472J	MG RESISTOR	4.7kΩ 1/16W J	1	
	R3205	RK73HB1J472J	MG RESISTOR	4.7kΩ 1/16W J	1	
	R3206	RK73HB1J153J	MG RESISTOR	15kΩ 1/16W J	1	
	R3207	RK73HB1J103J	MG RESISTOR	10kΩ 1/16W J	1	
	R3208	RK73HB1J103J	MG RESISTOR	10kΩ 1/16W J	1	
	L3001	LR73Z0AD100M	CHIP INDUCTOR	10uH	1	
	A301	W0C-0101-10	RF MODULE		1	

MODEL	MARK	MODEL	MARK	MODEL	MARK	MODEL	MARK
KW-V51BTJ	A	KW-V51BTU	B	KW-V51BTA	C	KW-V51BTE	D
KW-V51BTJW	E	KW-V51BTEE	F	KW-V51BTEU	G		

Safe	Symbol No.	Parts No.	Parts Name	Description	QTY	Local
	CN301	QGA2001C1-02	W TO B CONNE	W-B (1-2)	1	
	CN311	QGF0534F7-15X	FFC/FPC CONNE	FFC/FPC (1-15)	1	
<b>DVD MECHA PWB ASSY (LVA11172-07A) &lt;08&gt;</b>						
	IC1	AN41250A-X	IC		1	
	IC2	M12L128168A6TG	SV-DRAM IC		1	
	IC3	WZZ-0024-00	PROGRAMMED IC		1	
	IC4	MN2DS0041MD	IC		1	
	IC5	BD12KA5FP-X	IC		1	
	Q1	2SK3019-X	MOS FET		1	
	Q2	2SK3019-X	MOS FET		1	
	Q3	LSCR523EBFS8	TRANSISTOR		1	
	Q4	2SB1709MG	TRANSISTOR		1	
	Q5	LSCR523EBFS8	TRANSISTOR		1	
	Q6	2SB1709MG	TRANSISTOR		1	
	Q11	LTA014TEB-X	DIGI TRANSISTOR		1	
	Q12	LTA014TEB-X	DIGI TRANSISTOR		1	
	D1	TAN1102W-22-X	IR LED		1	
	D4	TAN1102W-22-X	IR LED		1	
	C1	CK73HBB1E103K	C CAPACITOR	0.01uF 25V K	1	
	C2	NCB20JK-106X	C CAPACITOR	10uF 6.3V K	1	
	C6	NCJ20JM-226X-A	C CAPACITOR	22uF 6.3V M	1	
	C7	CK73HBB1E103K	C CAPACITOR	0.01uF 25V K	1	
	C8	CK73HBB1E103K	C CAPACITOR	0.01uF 25V K	1	
	C10	NCJ30JK-475X-A	C CAPACITOR	4.7uF 6.3V K	1	
	C12	NCB20JK-106X	C CAPACITOR	10uF 6.3V K	1	
	C13	NCB20JK-106X	C CAPACITOR	10uF 6.3V K	1	
	C14	CK73HBB1A104K	C CAPACITOR	0.1uF 10V K	1	
	C16	CK73HBB1C333K	C CAPACITOR	0.033uF 16V K	1	
	C17	CK73HBB1A104K	C CAPACITOR	0.1uF 10V K	1	
	C18	CC73HCH1H120J	C CAPACITOR	12pF 50V J	1	
	C19	CK73HBB1A104K	C CAPACITOR	0.1uF 10V K	1	
	C20	CK73HBB1A104K	C CAPACITOR	0.1uF 10V K	1	
	C21	CK73HBB1A104K	C CAPACITOR	0.1uF 10V K	1	
	C22	CK73HBB1A104K	C CAPACITOR	0.1uF 10V K	1	
	C23	CC73HCH1H120J	C CAPACITOR	12pF 50V J	1	
	C24	NCJA0JK-105W-A	C CAPACITOR	1uF 6.3V K	1	
	C25	NCJA0JK-105W-A	C CAPACITOR	1uF 6.3V K	1	
	C26	CC73HCH1H102J	C CAPACITOR	1000pF 50V J	1	
	C28	NCB20JK-106X	C CAPACITOR	10uF 6.3V K	1	
	C29	NCB20JK-106X	C CAPACITOR	10uF 6.3V K	1	
	C31	NCJ30JK-475X-A	C CAPACITOR	4.7uF 6.3V K	1	
	C33	NCBA1HK-682W	C CAPACITOR	6800pF 50V K	1	
	C34	NCBA1HK-682W	C CAPACITOR	6800pF 50V K	1	
	C35	CC73HCH1H681J	C CAPACITOR	680pF 50V J	1	
	C36	CC73HCH1H471J	C CAPACITOR	470pF 50V J	1	
	C37	NCB20JK-106X	C CAPACITOR	10uF 6.3V K	1	
	C38	NCB20JK-106X	C CAPACITOR	10uF 6.3V K	1	
	C45	CK73HBB1A104K	C CAPACITOR	0.1uF 10V K	1	
	C47	CK73HBB1A104K	C CAPACITOR	0.1uF 10V K	1	
	C48	CK73HBB1H222K	C CAPACITOR	2200pF 50V K	1	
	C49	CK73HBB1A104K	C CAPACITOR	0.1uF 10V K	1	
	C50	CK73HBB1H222K	C CAPACITOR	2200pF 50V K	1	
	C51	CK73HBB1H472K	C CAPACITOR	4700pF 50V K	1	
	C52	CK73HBB1E103K	C CAPACITOR	0.01uF 25V K	1	
	C53	CK73HBB1H222K	C CAPACITOR	2200pF 50V K	1	
	C55	CK73HBB1A104K	C CAPACITOR	0.1uF 10V K	1	
	C56	CK73HBB1H222K	C CAPACITOR	2200pF 50V K	1	
	C57	CK73HBB1E103K	C CAPACITOR	0.01uF 25V K	1	
	C58	CK73HBB1E103K	C CAPACITOR	0.01uF 25V K	1	
	C59	CK73HBB1A104K	C CAPACITOR	0.1uF 10V K	1	
	C60	CK73HBB1A104K	C CAPACITOR	0.1uF 10V K	1	
	C61	CK73HBB1A104K	C CAPACITOR	0.1uF 10V K	1	
	C62	CK73HBB1A104K	C CAPACITOR	0.1uF 10V K	1	
	C63	CK73HBB1A104K	C CAPACITOR	0.1uF 10V K	1	
	C64	CK73HBB1A104K	C CAPACITOR	0.1uF 10V K	1	
	C65	CK73HBB1A104K	C CAPACITOR	0.1uF 10V K	1	
	C66	CK73HBB1A104K	C CAPACITOR	0.1uF 10V K	1	
	C67	CK73HBB1A104K	C CAPACITOR	0.1uF 10V K	1	
	C68	CK73HBB1E103K	C CAPACITOR	0.01uF 25V K	1	
	C70	NCJA0JK-105W-A	C CAPACITOR	1uF 6.3V K	1	
	C71	CK73HBB1A104K	C CAPACITOR	0.1uF 10V K	1	
	C74	CK73HBB1A104K	C CAPACITOR	0.1uF 10V K	1	
	C75	CC73HCH1H101J	C CAPACITOR	100pF 50V J	1	
	C76	NCJ20JM-226X-A	C CAPACITOR	22uF 6.3V M	1	
	C77	CK73HBB1A104K	C CAPACITOR	0.1uF 10V K	1	
	C78	NCJ30JK-475X-A	C CAPACITOR	4.7uF 6.3V K	1	
	C79	CK73HBB1H222K	C CAPACITOR	2200pF 50V K	1	
	C80	CK73HBB1H222K	C CAPACITOR	2200pF 50V K	1	
	C81	NCJA0JK-105W-A	C CAPACITOR	1uF 6.3V K	1	
	C82	NCJA0JK-105W-A	C CAPACITOR	1uF 6.3V K	1	
	C84	NCB20JK-106X	C CAPACITOR	10uF 6.3V K	1	
	C85	CK73HBB1A104K	C CAPACITOR	0.1uF 10V K	1	
	C86	CK73HBB1A104K	C CAPACITOR	0.1uF 10V K	1	
	C87	CK73HBB1A104K	C CAPACITOR	0.1uF 10V K	1	
	C88	CK73HBB1A104K	C CAPACITOR	0.1uF 10V K	1	
	C89	CK73HBB1A104K	C CAPACITOR	0.1uF 10V K	1	
	C90	CK73HBB1A104K	C CAPACITOR	0.1uF 10V K	1	
	C91	CK73HBB1A104K	C CAPACITOR	0.1uF 10V K	1	
	C92	CK73HBB1A104K	C CAPACITOR	0.1uF 10V K	1	
	C93	CK73HBB1A104K	C CAPACITOR	0.1uF 10V K	1	
	C94	NCJ20JM-226X-A	C CAPACITOR	22uF 6.3V M	1	

MODEL	MARK	MODEL	MARK	MODEL	MARK	MODEL	MARK
KW-V51BTJ	A	KW-V51BTU	B	KW-V51BTA	C	KW-V51BTE	D
KW-V51BTJW	E	KW-V51BTEE	F	KW-V51BTEU	G		

Safe	Symbol No.	Parts No.	Parts Name	Description	QTY	Local
	C95	NCJ20JM-226X-A	C CAPACITOR	22uF 6.3V M	1	
	C96	NCJ20JM-226X-A	C CAPACITOR	22uF 6.3V M	1	
	C101	NCJ20JM-226X-A	C CAPACITOR	22uF 6.3V M	1	
	C102	NCJ20JM-226X-A	C CAPACITOR	22uF 6.3V M	1	
	C103	CK73HBB1H222K	C CAPACITOR	2200pF 50V K	1	
	C104	CK73HBB1H222K	C CAPACITOR	2200pF 50V K	1	
	C105	CC73HCH1H150J	C CAPACITOR	15pF 50V J	1	
	R1	RK73GB2A561J	MG RESISTOR	560Ω 1/10W J	1	
	R2	RK73HB1J271J	MG RESISTOR	270Ω 1/16W J	1	
	R3	RK73HB1J301J	MG RESISTOR	300Ω 1/16W J	1	
	R4	RK73GB2A561J	MG RESISTOR	560Ω 1/10W J	1	
	R5	RK73HB1J163J	MG RESISTOR	16kΩ 1/16W J	1	
	R6	RK73HB1J103J	MG RESISTOR	10kΩ 1/16W J	1	
	R7	RK73HB1J103J	MG RESISTOR	10kΩ 1/16W J	1	
	R8	RK73HB1J103J	MG RESISTOR	10kΩ 1/16W J	1	
	R9	RK73HB1J333J	MG RESISTOR	33kΩ 1/16W J	1	
	R10	RK73HB1J103J	MG RESISTOR	10kΩ 1/16W J	1	
	R11	RK73HB1J103J	MG RESISTOR	10kΩ 1/16W J	1	
	R12	RK73HB1J103J	MG RESISTOR	10kΩ 1/16W J	1	
	R13	RK73HB1J101J	MG RESISTOR	100Ω 1/16W J	1	
	R14	RK73HB1J101J	MG RESISTOR	100Ω 1/16W J	1	
	R15	RK73HB1J102J	MG RESISTOR	1kΩ 1/16W J	1	
	R16	RK73HB1J102J	MG RESISTOR	1kΩ 1/16W J	1	
	R17	RK73HB1J105J	MG RESISTOR	1MΩ 1/16W J	1	
	R18	RK73HH1J303D	MG RESISTOR	30kΩ 1/16W D	1	
	R19	RK73HB1J223J	MG RESISTOR	22kΩ 1/16W J	1	
	R20	RK73HB1J471J	MG RESISTOR	470Ω 1/16W J	1	
	R21	RK73HB1J100J	MG RESISTOR	10Ω 1/16W J	1	
	R22	RK73HB1J560J	MG RESISTOR	56Ω 1/16W J	1	
	R23	RK73HB1J2R2J	MG RESISTOR	2.2Ω 1/16W J	1	
	R25	RK73HB1J471J	MG RESISTOR	470Ω 1/16W J	1	
	R27	RK73HB1J471J	MG RESISTOR	470Ω 1/16W J	1	
	R28	RK73HB1J100J	MG RESISTOR	10Ω 1/16W J	1	
	R29	RK73HB1J560J	MG RESISTOR	56Ω 1/16W J	1	
	R30	RK73HB1J2R2J	MG RESISTOR	2.2Ω 1/16W J	1	
	R31	RK73PB2H270J	MG RESISTOR	27Ω 1/2W J	1	
	R32	RK73HB1J203J	MG RESISTOR	20kΩ 1/16W J	1	
	R33	RK73HB1J333J	MG RESISTOR	33kΩ 1/16W J	1	
	R34	RK73HB1J471J	MG RESISTOR	470Ω 1/16W J	1	
	R35	RK73PB2H270J	MG RESISTOR	27Ω 1/2W J	1	
	R51	RK73HB1J223J	MG RESISTOR	22kΩ 1/16W J	1	
	R52	RK73HB1J223J	MG RESISTOR	22kΩ 1/16W J	1	
	R53	NRZ0098-R27X	MG RESISTOR	0.27Ω	1	
	R54	RK73HB1J103J	MG RESISTOR	10kΩ 1/16W J	1	
	R55	RK73HB1J101J	MG RESISTOR	100Ω 1/16W J	1	
	R56	RK73HB1J103J	MG RESISTOR	10kΩ 1/16W J	1	
	R57	RK73HB1J103J	MG RESISTOR	10kΩ 1/16W J	1	
	R58	RK73HB1J103J	MG RESISTOR	10kΩ 1/16W J	1	
	R59	RK73HB1J103J	MG RESISTOR	10kΩ 1/16W J	1	
	R60	RK73HB1J821J	MG RESISTOR	820Ω 1/16W J	1	
	R61	RK73HB1J242J	MG RESISTOR	2.4kΩ 1/16W J	1	
	R62	RK73HB1J103J	MG RESISTOR	10kΩ 1/16W J	1	
	R63	RK73HB1J332J	MG RESISTOR	3.3kΩ 1/16W J	1	
	R64	RK73HB1J202J	MG RESISTOR	2kΩ 1/16W J	1	
	R65	RK73HB1J102J	MG RESISTOR	1kΩ 1/16W J	1	
	R66	RK73HB1J102J	MG RESISTOR	1kΩ 1/16W J	1	
	R69	RK73HB1J101J	MG RESISTOR	100Ω 1/16W J	1	
	R70	RK73HB1J102J	MG RESISTOR	1kΩ 1/16W J	1	
	R71	RK73HB1J330J	MG RESISTOR	33Ω 1/16W J	1	
	R73	RK73HB1J472J	MG RESISTOR	4.7kΩ 1/16W J	1	
	R74	RK73HB1J4R7J	MG RESISTOR	4.7Ω 1/16W J	1	
	R76	RK73HB1J472J	MG RESISTOR	4.7kΩ 1/16W J	1	
	R77	RK73HB1J4R7J	MG RESISTOR	4.7Ω 1/16W J	1	
	R78	RK73HB1J221J	MG RESISTOR	220Ω 1/16W J	1	
	R79	RK73HB1J221J	MG RESISTOR	220Ω 1/16W J	1	
	R80	RK73HB1J103J	MG RESISTOR	10kΩ 1/16W J	1	
	R85	RK73HB1J820J	MG RESISTOR	82Ω 1/16W J	1	
	R86	RK73HB1J102J	MG RESISTOR	1kΩ 1/16W J	1	
	R92	RK73HB1J103J	MG RESISTOR	10kΩ 1/16W J	1	
	R95	RK73HB1J470J	MG RESISTOR	47Ω 1/16W J	1	
	R96	RK73HB1J103J	MG RESISTOR	10kΩ 1/16W J	1	
	R105	RK73HB1J101J	MG RESISTOR	100Ω 1/16W J	1	
	R106	RK73HB1J103J	MG RESISTOR	10kΩ 1/16W J	1	
	R107	RK73HB1J221J	MG RESISTOR	220Ω 1/16W J	1	
	R108	RK73HB1J221J	MG RESISTOR	220Ω 1/16W J	1	
	R113	RK73HB1J470J	MG RESISTOR	47Ω 1/16W J	1	
	CN1	QGF0534F7-26X	FFC/FPC CONNE	FFC/FPC (1-26)	1	
	CN4	QGF0534F7-40X	FFC/FPC CONNE	FFC/FPC (1-40)	1	
	CN5	QGF0534F7-18X	FFC/FPC CONNE	FFC/FPC (1-18)	1	
	PH1	PS1192HB-22-X	OPT TRANSMITTER		1	
	PH2	PS1192HB-22-X	OPT TRANSMITTER		1	
	S1	NSW0351-001X	LEVER SWITCH		1	
	TH1	NAD0055-103X	N THERMISTOR	10kΩ	1	
	X1	NAX1135-001X	CRYSTAL		1	