



MODEL	MARK	MODEL	MARK	MODEL	MARK
KDC-X799	K0	KDC-BT762HD	K1	KDC-BT720HD	K2

Safe	Symbol No.	Parts No.	Parts Name	Description	QTY	Local
------	------------	-----------	------------	-------------	-----	-------

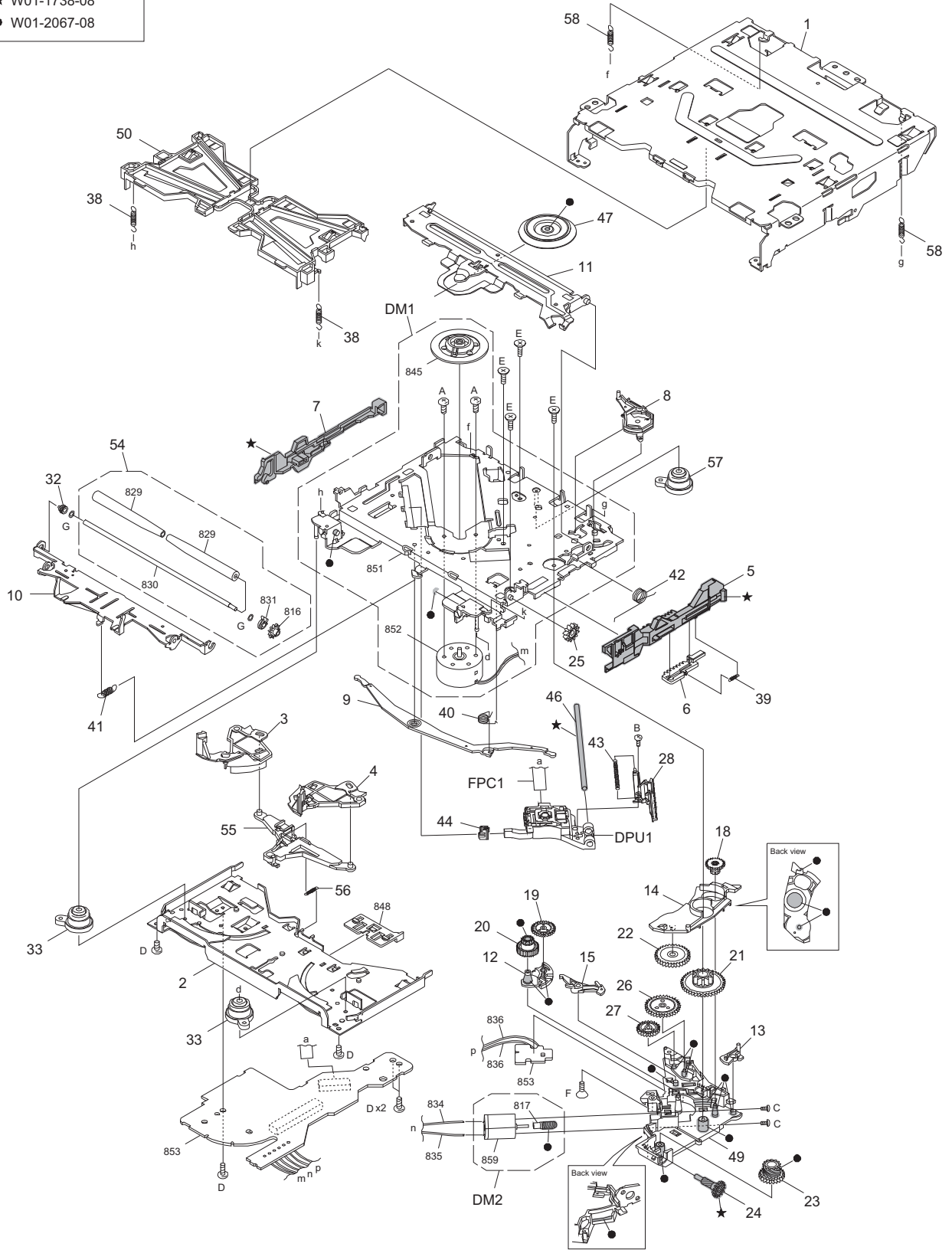
EXPLODED VIEW (UNIT) <M1MM>

△	DC1	E3A-0052-00	DC CORD		1	
	DME1	X92-6820-02	CD MECHANISM		1	
△	F901	FZB10BT-100	BLADE FUSE		1	
	FC1	E3F-0027-00	FLAT CABLE		1	
	FC2	E3F-0048-00	FLAT CABLE		1	
	LCD1	B3H-0018-00	LCD		1	
	PA1	GE20354-027A	FRONT PANEL ASSY		1	K0
	PA1	GE20354-028A	FRONT PANEL ASSY		1	K1
	PA1	GE20354-040A	FRONT PANEL ASSY		1	K2
	RC1	QAL1303-004	REMOCON		1	
	WH1	QAM1370-001	CAR CABLE		1	
	A	GE40377-002A	SPECIAL SCREW		2	
	B	QYSDST2604ZA	TAP SCREW	M2.6 x 4mm	3	
	C	QYSDST2606ZA	TAP SCREW	M2.6 x 6mm	4	
	D	QYSDSF2008ZA	TAP SCREW	M2 x 8mm	5	
	E	QYSDST2610ZA	TAP SCREW	M2.6 x 10mm	4	
	F	GE40377-005A	SPECIAL SCREW		2	
	G	QYSDSF2608ZA	TAP SCREW	M2.6 x 8mm	1	
	H	QYSDSG3006ZA	TAP SCREW	M3 x 6mm	1	
	202	XJM-0120-10	HD TUNER PWB ASSY		1	
	204	W0C-0054-20	BT MODULE		1	
	213	GE35686-001A	LOCK LEVER		1	
	214	GE40504-001A	SPRING		1	
	215	GE35687-001A	RELEASE LEVER		1	
	216	GE40505-005A	SPRING		1	
	217	A2C-0009-00	SUB PANEL ASSY		1	
	251	GE20355-027A	CD COVER		1	K0
	251	GE20355-028A	CD COVER		1	K1
	251	GE20355-040A	CD COVER		1	K2
	253	GE20347-001A	VOL LENS		1	
	254	GE35681-001A	SRC BUTTON		1	
	255	GE35682-001A	SEARCH BUTTON		1	
	256	GE20346-001A	PRESET BUTTON		1	
	257	GE35671-001A	USB DOOR		1	
	258	GE35674-005A	ACC BTN TOP		1	
	259	GE10388-001A	LIGHT GUIDE		1	
	260	G01-4823-04	TOR.COIL SPRING		1	
	263	GE35669-001A	EJECT BUTTON		1	
	264	GE10387-002A	REAR COVER		1	
	265	GE35677-001A	DETACH BUTTON		1	
	266	GE40505-003A	SPRING		1	
	267	GE40678-002A	VOL KNOB ASSY		1	K0
	267	GE40678-004A	VOL KNOB ASSY		1	K1,K2
	274	QNZ1115-001	RUBBER CONNE		1	
	275	QNZ1116-001	RUBBER CONNE		1	
	351	GE34826-002A	M.SLEEVE ASSY		1	
	352	GE40578-002A	HOOK		2	
	353	GE20351-001A	TRIM PLATE		1	K0
	353	GE20352-001A	TRIM PLATE		1	K1,K2
	354	QYSPSF2008ZA	TAP SCREW	M2 x 8mm	1	
	355	QAN0126-001	MICROPHONE		1	
	501	B5A-0149-00	INST.MANUAL	ENG FRE SPA	1	K0,K1
	501	B5A-0228-00	INST.MANUAL	ENG FRE SPA	1	K2

# EXPLODED VIEW (CD MECHANISM: X92-6820-02)

Block No.MBMM

Grease  
 ★ W01-1738-08  
 ● W01-2067-08



Parts with the exploded numbers larger than 800 are not supplied.

MODEL	MARK	MODEL	MARK	MODEL	MARK
KDC-X799	K0	KDC-BT762HD	K1	KDC-BT720HD	K2

Safe	Symbol No.	Parts No.	Parts Name	Description	QTY	Local
------	------------	-----------	------------	-------------	-----	-------

EXPLODED VIEW (CD MECHANISM: X92-6820-02) <MBMM>

	DM1	CM-FC2-MD	MD CHASSIS ASSY		1	
	DM2	CM-FC2-M	LOADING MOTOR ASSY		1	
△	DPU1	QAL1521-001	PICK UP		1	
	FPC1	QAL1465-001	FPC		1	
	A	LV45568-001A	MINI SCREW		2	
	B	QYSPSGT1745ZA	TAP SCREW	M1.7 x 4.5mm	1	
	C	QYSPSPT2025MA	SCREW	M2 x 2.5mm	2	
	D	N09-6108-15	TAPTITE SCREW		5	
	E	N09-6738-15	TAPTITE SCREW		4	
	F	N09-6921-05	TAPTITE SCREW		1	
	G	N19-2356-04	FLAT WASHER		2	
	1	A10-5625-21	CHASSIS		1	
	2	A10-5626-01	CHASSIS		1	
	3	D10-7174-03	ARM		1	
	4	D10-7175-03	ARM		1	
	5	D10-7177-02	SLIDER		1	
	6	D10-7178-03	SLIDER		1	
	7	D10-7179-02	SLIDER		1	
	8	D10-7180-03	ARM		1	
	9	D10-7181-13	LEVER		1	
	10	D10-7182-12	LEVER		1	
	11	D10-7183-02	ARM		1	
	12	D10-7184-03	ARM		1	
	13	D10-7185-04	ARM		1	
	14	D10-7186-03	ARM		1	
	15	D10-7187-13	ARM		1	
	18	D13-3104-04	GEAR		1	
	19	D13-3105-04	GEAR		1	
	20	D13-3106-04	GEAR		1	
	21	D13-3107-04	GEAR		1	
	22	D13-3108-04	GEAR		1	
	23	D13-3109-04	WORM		1	
	24	D13-3110-04	GEAR		1	
	25	D13-3111-04	GEAR		1	
	26	D13-3112-04	GEAR		1	
	27	D13-3113-04	GEAR		1	
	28	D13-3114-03	RACK GEAR		1	
	32	D23-0974-14	RETAINER		1	
	33	D39-0403-05	DAMPER		2	
	38	G01-4829-04	EXTEN.SPRING		2	
	39	G01-4813-04	EXTEN.SPRING		1	
	40	G01-4814-04	TOR.COIL SPRING		1	
	41	G01-4815-04	EXTEN.SPRING		1	
	42	G01-4816-04	TOR.COIL SPRING		1	
	43	G01-4817-04	EXTEN.SPRING		1	
	44	LV36813-501A	SUB GUIDE CAP		1	
	46	LV44555-001A	MAIN SHAFT		1	
	47	J11-0692-03	CLAMPER		1	
	49	J19-7360-21	HOLDER		1	
	50	J90-1209-21	GUIDE		1	
	54	CM-FC2-R	ROLLER ASSY		1	
	55	D10-7176-03	ARM		1	
	56	G01-4809-04	EXTEN.SPRING		1	
	57	D39-0404-05	DAMPER		1	
	58	G01-4812-04	EXTEN.SPRING		2	

MODEL	MARK	MODEL	MARK	MODEL	MARK
KDC-X799	K0	KDC-BT762HD	K1	KDC-BT720HD	K2

Safe	Symbol No.	Parts No.	Parts Name	Description	QTY	Local
<b>MAIN PWB ASSY (XK1-0270-1x) &lt;01&gt;</b>						
	IC161	TDA7721-X	IC		1	K0
	IC161	TDA7720B-X	IC		1	K1,K2
△	IC301	JCV8034	IC		1	
	IC411	MFI337S3959-X	IC		1	
△	IC540	MN6627553APA	IC		1	
△	IC701	R5S726A0D216FP	IC		1	
△	IC821	W3F-0067-00	IC		1	
	IC831	BU4228F-W	IC		1	
	IC841	BR24T02FJ-W-X	IC		1	
	IC851	BU1CTD3WG-W	IC		1	
	IC860	MP9942GJ	ANALOG IC		1	
	IC890	NCP380HSNAJAAAX	IC(MOS-IC)		1	
△	IC901	LV5685PV-H	ANALOG IC		1	
	IC941	BU33TD3WG-W	IC		1	
	Q220	LSCR523EBFS8	TRANSISTOR		1	
	Q250	LTC043TEB-X	DIGI TRANSISTOR		1	
	Q270	LTA024EEB-X	DIGI TRANSISTOR		1	
	Q271	LSAR523UBFS8	TRANSISTOR		1	
	Q272	LTC024EEB-X	DIGI TRANSISTOR		1	
	Q273	LTA024EEB-X	DIGI TRANSISTOR		1	
	Q320	LTC043TEB-X	DIGI TRANSISTOR		1	
	Q330	LTC043TEB-X	DIGI TRANSISTOR		1	
	Q340	LTC043TEB-X	DIGI TRANSISTOR		1	
	Q350	LTC043TEB-X	DIGI TRANSISTOR		1	
	Q470	LTC014EEBFS8	DIGI TRANSISTOR		1	
	Q471	LTC043TEB-X	DIGI TRANSISTOR		1	
	Q540	2SA2188/E/-X	TRANSISTOR		1	
	Q701	LTA014YEB-X	DIGI TRANSISTOR		1	
	Q960	RSQ030P03-W	MOS FET		1	
	Q961	LTC044EUBFS8	DIGI TRANSISTOR		1	
	Q1001	2SC4097P/R/	TRANSISTOR		1	K0
	D100	RSB6.8SM-X	BP Z DIODE		1	
	D101	RSB6.8SM-X	BP Z DIODE		1	
	D231	DZ2J056M	ZENER DIODE		1	
	D270	BAW56-TP-X	SI DIODE		1	
	D271	BAW56-TP-X	SI DIODE		1	
	D273	DA2J101	DIODE		1	
	D370	BAW56-TP-X	SI DIODE		1	
	D390	MBRX130	SCHOTTKY DIODE		1	
	D391	MBRX130	SCHOTTKY DIODE		1	
	D400	RB521SM-30-X	SB DIODE		1	
	D401	DZ2J051M	ZENER DIODE		1	
	D471	RSB6.8SM-X	BP Z DIODE		1	
	D472	RSB6.8SM-X	BP Z DIODE		1	
	D473	RSB6.8SM-X	BP Z DIODE		1	
	D474	RSB6.8SM-X	BP Z DIODE		1	
	D475	DZ2J068/M/-X	ZENER DIODE		1	
	D476	DZ2J068/M/-X	ZENER DIODE		1	
	D601	FOK-0014-00	SURGE ABSORBER		1	
	D861	DB22306	SCHOTTKY DIODE		1	
	D902	SK34A-L-X	SB DIODE		1	
	D903	SK34A-L-X	SB DIODE		1	
△	D990	1N5401-BPC04	SI DIODE		1	
	D1220	DZ2J062M	ZENER DIODE		1	
	D1224	DZ2J075M	ZENER DIODE		1	K0
	D1225	DA2J101	DIODE		1	K0
	C100	CK73GXR1H104K	C CAPACITOR	0.1uF 50V K	1	
	C101	CK73GXB1H472K	C CAPACITOR	4700pF 50V K	1	
	C102	CK73GXB1H472K	C CAPACITOR	4700pF 50V K	1	
	C103	CK73GXR1A105K	C CAPACITOR	1uF 10V K	1	
	C104	CK73GXR1A105K	C CAPACITOR	1uF 10V K	1	
	C105	CK73GXR1A105K	C CAPACITOR	1uF 10V K	1	
	C163	CD04AV1V4R7M	E CAPACITOR	4.7uF 35V M	1	
	C164	CD04AV1V4R7M	E CAPACITOR	4.7uF 35V M	1	
	C169	CK73GXR1A105K	C CAPACITOR	1uF 10V K	1	
	C170	CK73GXR1A105K	C CAPACITOR	1uF 10V K	1	
	C171	CK73GXR1H104K	C CAPACITOR	0.1uF 50V K	1	
	C172	CD04AS1C220M	E CAPACITOR	22uF 16V M	1	
	C173	CD04AV1C100M	E CAPACITOR	10uF 16V M	1	
	C177	CK73GXR1A105K	C CAPACITOR	1uF 10V K	1	
	C223	CK73GXR1H104K	C CAPACITOR	0.1uF 50V K	1	
	C224	CK73GXR1H104K	C CAPACITOR	0.1uF 50V K	1	
	C233	CK73FXR0J106K	C CAPACITOR	10uF 6.3V K	1	
	C251	CD04AV1C100M	E CAPACITOR	10uF 16V M	1	
	C304	QEZ0982-476Z	E CAPACITOR	47uF	1	
	C311	CK73GXR1A105K	C CAPACITOR	1uF 10V K	1	
	C312	CK730AV1C105K	C CAPACITOR	1uF 16V K	1	
	C313	CK73GXR0J475K	C CAPACITOR	4.7uF 6.3V K	1	
	C316	CK730AV1C224K	C CAPACITOR	0.22uF 16V K	1	
	C317	CK730AV1C224K	C CAPACITOR	0.22uF 16V K	1	
	C318	CK730AV1C224K	C CAPACITOR	0.22uF 16V K	1	
	C319	CK730AV1C224K	C CAPACITOR	0.22uF 16V K	1	
	C321	CD04AV1C100M	E CAPACITOR	10uF 16V M	1	
	C331	CD04AV1C100M	E CAPACITOR	10uF 16V M	1	
	C341	CD04AV1C100M	E CAPACITOR	10uF 16V M	1	
	C351	CD04AV1C100M	E CAPACITOR	10uF 16V M	1	
	C370	CK73GXR1H104K	C CAPACITOR	0.1uF 50V K	1	
	C380	CK73FBB1H224K	C CAPACITOR	0.22uF 50V K	1	
	C390	CK73FBB1H224K	C CAPACITOR	0.22uF 50V K	1	
	C410	CK73GXR1H104K	C CAPACITOR	0.1uF 50V K	1	
	C472	CK73GXR1H104K	C CAPACITOR	0.1uF 50V K	1	

MODEL	MARK	MODEL	MARK	MODEL	MARK
KDC-X799	K0	KDC-BT762HD	K1	KDC-BT720HD	K2

Safe	Symbol No.	Parts No.	Parts Name	Description	QTY	Local
	C473	CK73GXR1A105K	C CAPACITOR	1uF 10V K	1	
	C474	CK73GXR1A105K	C CAPACITOR	1uF 10V K	1	
	C475	CK73GXR1A105K	C CAPACITOR	1uF 10V K	1	
	C510	CK73GGB1H472K	C CAPACITOR	4700pF 50V K	1	
	C540	CK73GXR1H104K	C CAPACITOR	0.1uF 50V K	1	
	C541	CK73GXR1H104K	C CAPACITOR	0.1uF 50V K	1	
	C544	CK73GGB1H103K	C CAPACITOR	0.01uF 50V K	1	
	C545	CK73GGB1H103K	C CAPACITOR	0.01uF 50V K	1	
	C546	CK73GGB1H682K	C CAPACITOR	6800pF 50V K	1	
	C547	CK73GGB1H682K	C CAPACITOR	6800pF 50V K	1	
	C548	CK73GXR0J475K	C CAPACITOR	4.7uF 6.3V K	1	
	C549	CK73GXR1H104K	C CAPACITOR	0.1uF 50V K	1	
	C550	CK73GGB1C154K	C CAPACITOR	0.15uF 16V K	1	
	C552	CK73GGB1H682K	C CAPACITOR	6800pF 50V K	1	
	C553	CK73GXR1H104K	C CAPACITOR	0.1uF 50V K	1	
	C555	CK73GGB1H223K	C CAPACITOR	0.022uF 50V K	1	
	C556	CK73GGB1H332K	C CAPACITOR	3300pF 50V K	1	
	C557	CK73GGB1A334K	C CAPACITOR	0.33uF 10V K	1	
	C558	CK73GXR0J475K	C CAPACITOR	4.7uF 6.3V K	1	
	C559	CK73GXR1H104K	C CAPACITOR	0.1uF 50V K	1	
	C560	CK73GGB1H681K	C CAPACITOR	680pF 50V K	1	
	C561	CK73FXR0J106K	C CAPACITOR	10uF 6.3V K	1	
	C562	CK73GGB1H153K	C CAPACITOR	0.015uF 50V K	1	
	C563	CK73GXR1H104K	C CAPACITOR	0.1uF 50V K	1	
	C564	CK73GGB1H102K	C CAPACITOR	1000pF 50V K	1	
	C565	CK73GGB1E823K	C CAPACITOR	0.082uF 25V K	1	
	C567	CK73GGB1H102K	C CAPACITOR	1000pF 50V K	1	
	C568	CK73GGB1A334K	C CAPACITOR	0.33uF 10V K	1	
	C570	CK73GXR1H104K	C CAPACITOR	0.1uF 50V K	1	
	C571	CK73GXR1H104K	C CAPACITOR	0.1uF 50V K	1	
	C572	CK73FXR0J106K	C CAPACITOR	10uF 6.3V K	1	
	C573	CK73GXR1H104K	C CAPACITOR	0.1uF 50V K	1	
	C574	CK73GGB1H472K	C CAPACITOR	4700pF 50V K	1	
	C576	CK73GXR1H104K	C CAPACITOR	0.1uF 50V K	1	
	C577	CC73GCH1H100D	C CAPACITOR	10pF 50V D	1	
	C578	CC73GCH1H120J	C CAPACITOR	12pF 50V J	1	
	C579	CK73GXR1H104K	C CAPACITOR	0.1uF 50V K	1	
	C583	CK73GGB1H821K	C CAPACITOR	820pF 50V K	1	
	C584	CK73GGB1H821K	C CAPACITOR	820pF 50V K	1	
	C588	CK73GGB1H681K	C CAPACITOR	680pF 50V K	1	
	C589	CK73GGB1H681K	C CAPACITOR	680pF 50V K	1	
	C600	CK73GXR1H104K	C CAPACITOR	0.1uF 50V K	1	
	C601	CK73GGB1H472K	C CAPACITOR	4700pF 50V K	1	
	C602	CK73FXR0J106K	C CAPACITOR	10uF 6.3V K	1	
	C603	CC73GCH1H050C	C CAPACITOR	5pF 50V C	1	
	C606	CC73GCH1H060D	C CAPACITOR	6pF 50V D	1	
	C700	CK73GXR1H104K	C CAPACITOR	0.1uF 50V K	1	
	C701	CK73GXR1H104K	C CAPACITOR	0.1uF 50V K	1	
	C702	CK73GXR1H104K	C CAPACITOR	0.1uF 50V K	1	
	C703	CK73GXR1H104K	C CAPACITOR	0.1uF 50V K	1	
	C704	CK73GXR1H104K	C CAPACITOR	0.1uF 50V K	1	
	C705	CK73GXR1H104K	C CAPACITOR	0.1uF 50V K	1	
	C706	CK73GXR1H104K	C CAPACITOR	0.1uF 50V K	1	
	C707	CC73GCH1H090D	C CAPACITOR	9pF 50V D	1	
	C708	CC73GCH1H090D	C CAPACITOR	9pF 50V D	1	
	C709	CK73GXR1H104K	C CAPACITOR	0.1uF 50V K	1	
	C710	CK73GXR1H104K	C CAPACITOR	0.1uF 50V K	1	
	C711	CK73GGB1H472K	C CAPACITOR	4700pF 50V K	1	
	C712	CK73GXR1H104K	C CAPACITOR	0.1uF 50V K	1	
	C713	CK73GXR1H104K	C CAPACITOR	0.1uF 50V K	1	
	C716	CK73GXR1H104K	C CAPACITOR	0.1uF 50V K	1	
	C717	CK73GXR1H104K	C CAPACITOR	0.1uF 50V K	1	
	C718	CK73GXR1H104K	C CAPACITOR	0.1uF 50V K	1	
	C722	CC73GCH1H101J	C CAPACITOR	100pF 50V J	1	
	C723	CC73GCH1H101J	C CAPACITOR	100pF 50V J	1	
	C724	CC73GCH1H101J	C CAPACITOR	100pF 50V J	1	
	C736	CC73GCH1H101J	C CAPACITOR	100pF 50V J	1	
	C820	CK73GGB1H472K	C CAPACITOR	4700pF 50V K	1	
	C821	CK73GGB1H471K	C CAPACITOR	470pF 50V K	1	
	C830	CK73GGB1H682K	C CAPACITOR	6800pF 50V K	1	
	C831	CK73GXR1H104K	C CAPACITOR	0.1uF 50V K	1	
	C832	CK73GXR1H104K	C CAPACITOR	0.1uF 50V K	1	
	C840	CK73GGB1C473K	C CAPACITOR	0.047uF 16V K	1	
	C850	CK73GGB1C474K	C CAPACITOR	0.47uF 16V K	1	
	C851	CK73GGB1C474K	C CAPACITOR	0.47uF 16V K	1	
	C852	CD04AS0J101M	E CAPACITOR	100uF 6.3V M	1	
	C860	CK73GXR1H104K	C CAPACITOR	0.1uF 50V K	1	
	C861	CK73EXR1E106K	C CAPACITOR	10uF 25V K	1	
	C863	CK73GGB1C224K	C CAPACITOR	0.22uF 16V K	1	
	C864	CK73GGB1C224K	C CAPACITOR	0.22uF 16V K	1	
	C865	CK73FXR0J106K	C CAPACITOR	10uF 6.3V K	1	
	C867	CK73GXR1H104K	C CAPACITOR	0.1uF 50V K	1	
	C868	QEZ0850-157Z	E CAPACITOR	150uF	1	
	C869	CC73GCH1H150J	C CAPACITOR	15pF 50V J	1	
	C870	CK73GXR1H104K	C CAPACITOR	0.1uF 50V K	1	
	C871	CK73GXR1H104K	C CAPACITOR	0.1uF 50V K	1	
	C872	CK73EXR1E106K	C CAPACITOR	10uF 25V K	1	
	C890	CK73GXR1H104K	C CAPACITOR	0.1uF 50V K	1	
	C891	CK73GXR1H104K	C CAPACITOR	0.1uF 50V K	1	
	C904	CK73GXR1A105K	C CAPACITOR	1uF 10V K	1	
	C905	CD04AR1C471M	E CAPACITOR	470uF 16V M	1	
	C907	CD04AS0J101M	E CAPACITOR	100uF 6.3V M	1	

MODEL	MARK	MODEL	MARK	MODEL	MARK
KDC-X799	K0	KDC-BT762HD	K1	KDC-BT720HD	K2

Safe	Symbol No.	Parts No.	Parts Name	Description	QTY	Local
	C908	CK73GXR1C105K	C CAPACITOR	1uF 16V K	1	
	C909	CK73GXR1H104K	C CAPACITOR	0.1uF 50V K	1	
	C911	CK73GXR1H104K	C CAPACITOR	0.1uF 50V K	1	
	C912	CK73GXR1H104K	C CAPACITOR	0.1uF 50V K	1	
	C914	CK73GXR1C105K	C CAPACITOR	1uF 16V K	1	
	C915	CK73GXR1A105K	C CAPACITOR	1uF 10V K	1	
	C940	CK73FXR0J106K	C CAPACITOR	10uF 6.3V K	1	
	C941	CK73GXR1H104K	C CAPACITOR	0.1uF 50V K	1	
	C942	CK73FXR0J106K	C CAPACITOR	10uF 6.3V K	1	
	C990	CD04EU1C222M2	E CAPACITOR	2200uF 16V M	1	
	C1000	CK73GXR1H104K	C CAPACITOR	0.1uF 50V K	1	
	C1001	CK73GBB1H471K	C CAPACITOR	470pF 50V K	1	
	C1003	CK73FXR0J106K	C CAPACITOR	10uF 6.3V K	1	
	C1004	CK73GBB1H471K	C CAPACITOR	470pF 50V K	1	
	C1005	CK73GBB1H471K	C CAPACITOR	470pF 50V K	1	
	C1007	CK73GXR1H104K	C CAPACITOR	0.1uF 50V K	1	
	C1021	CK73GXR1A105K	C CAPACITOR	1uF 10V K	1	
	C1034	CK73GXR1H104K	C CAPACITOR	0.1uF 50V K	1	
	C1039	CK73GBB1H472K	C CAPACITOR	4700pF 50V K	1	
	C1041	CK73GBB1H471K	C CAPACITOR	470pF 50V K	1	
	C1042	CK73GBB1H471K	C CAPACITOR	470pF 50V K	1	
	C1044	CK73GBB1H471K	C CAPACITOR	470pF 50V K	1	
	C1049	CK73GXR1H104K	C CAPACITOR	0.1uF 50V K	1	
	C1050	CK73GBB1H103K	C CAPACITOR	0.01uF 50V K	1	
	C1051	CC73GCH1H030C	C CAPACITOR	3pF 50V C	1	
	C1077	CC73GCH1H030C	C CAPACITOR	3pF 50V C	1	
	C1078	CC73GCH1H030C	C CAPACITOR	3pF 50V C	1	
	C1080	CK73GXR1H104K	C CAPACITOR	0.1uF 50V K	1	
	C1092	CK73GXR1H104K	C CAPACITOR	0.1uF 50V K	1	
	C1094	CC73GCH1H020C	C CAPACITOR	2pF 50V C	1	
	C1096	CK73GXR1H104K	C CAPACITOR	0.1uF 50V K	1	
	C1097	CK73GXR1H104K	C CAPACITOR	0.1uF 50V K	1	
	C1103	CK73GBB1H471K	C CAPACITOR	470pF 50V K	1	
	C1104	CK73GBB1H472K	C CAPACITOR	4700pF 50V K	1	
	C1110	CK73GBB1H471K	C CAPACITOR	470pF 50V K	1	
	C1222	CK73FXR1C106K	C CAPACITOR	10uF 16V K	1	
	C1233	CC73GCH1H020C	C CAPACITOR	2pF 50V C	1	
	C1241	CC73GCH1H070D	C CAPACITOR	7pF 50V D	1	
	C1242	CC73GCH1H070D	C CAPACITOR	7pF 50V D	1	
	C1243	CK73GXR1H104K	C CAPACITOR	0.1uF 50V K	1	
	C1246	CC73GCH1H080D	C CAPACITOR	8pF 50V D	1	
	C1252	CC73GCH1H020C	C CAPACITOR	2pF 50V C	1	
	C1253	CC73GCH1H020C	C CAPACITOR	2pF 50V C	1	
	R100	RK73GB2A471J	MG RESISTOR	470Ω 1/10W J	1	
	R103	RK73GB2A473J	MG RESISTOR	47kΩ 1/10W J	1	
	R104	RK73GB2A473J	MG RESISTOR	47kΩ 1/10W J	1	
	R162	RK73GB2A000J	MG RESISTOR	0Ω 1/10W J	1	
	R164	RK73GB2A000J	MG RESISTOR	0Ω 1/10W J	1	
	R168	RK73GB2A101J	MG RESISTOR	100Ω 1/10W J	1	
	R169	RK73GB2A101J	MG RESISTOR	100Ω 1/10W J	1	
	R170	RK73EB2E000J	MG RESISTOR	0Ω 1/4W J	1	
	R171	RK73GB2A103J	MG RESISTOR	10kΩ 1/10W J	1	
	R220	RK73GB2A000J	MG RESISTOR	0Ω 1/10W J	1	
	R221	RK73GB2A101J	MG RESISTOR	100Ω 1/10W J	1	
	R223	RK73GB2A222J	MG RESISTOR	2.2kΩ 1/10W J	1	
	R224	RK73GB2A222J	MG RESISTOR	2.2kΩ 1/10W J	1	
	R225	RK73GB2A471J	MG RESISTOR	470Ω 1/10W J	1	
	R226	RK73GB2A471J	MG RESISTOR	470Ω 1/10W J	1	
	R227	RK73GB2A471J	MG RESISTOR	470Ω 1/10W J	1	
	R236	RK73GB2A471J	MG RESISTOR	470Ω 1/10W J	1	
	R237	RK73GB2A681J	MG RESISTOR	680Ω 1/10W J	1	
	R237	RK73GB2A331J	MG RESISTOR	330Ω 1/10W J	1	
	R240	RK73GB2A000J	MG RESISTOR	0Ω 1/10W J	1	
	R242	RK73GB2A000J	MG RESISTOR	0Ω 1/10W J	1	
	R250	RK73GB2A181J	MG RESISTOR	180Ω 1/10W J	1	
	R251	RK73GB2A223J	MG RESISTOR	22kΩ 1/10W J	1	
	R252	RK73GB2A331J	MG RESISTOR	330Ω 1/10W J	1	
	R253	RK73GB2A000J	MG RESISTOR	0Ω 1/10W J	1	
	R270	RK73GB2A104J	MG RESISTOR	100kΩ 1/10W J	1	
	R271	RK73GB2A331J	MG RESISTOR	330Ω 1/10W J	1	
	R273	RK73GB2A223J	MG RESISTOR	22kΩ 1/10W J	1	
	R302	RK73GB2A222J	MG RESISTOR	2.2kΩ 1/10W J	1	
	R303	RK73EB2E5R1J	MG RESISTOR	5.1Ω 1/4W J	1	
	R304	RK73GB2A000J	MG RESISTOR	0Ω 1/10W J	1	
	R307	RK73GB2A101J	MG RESISTOR	100Ω 1/10W J	1	
	R320	RK73GB2A181J	MG RESISTOR	180Ω 1/10W J	1	
	R321	RK73GB2A223J	MG RESISTOR	22kΩ 1/10W J	1	
	R323	RK73GB2A331J	MG RESISTOR	330Ω 1/10W J	1	
	R330	RK73GB2A181J	MG RESISTOR	180Ω 1/10W J	1	
	R331	RK73GB2A223J	MG RESISTOR	22kΩ 1/10W J	1	
	R333	RK73GB2A331J	MG RESISTOR	330Ω 1/10W J	1	
	R340	RK73GB2A181J	MG RESISTOR	180Ω 1/10W J	1	
	R341	RK73GB2A223J	MG RESISTOR	22kΩ 1/10W J	1	
	R342	RK73GB2A000J	MG RESISTOR	0Ω 1/10W J	1	
	R343	RK73GB2A331J	MG RESISTOR	330Ω 1/10W J	1	
	R350	RK73GB2A181J	MG RESISTOR	180Ω 1/10W J	1	
	R351	RK73GB2A223J	MG RESISTOR	22kΩ 1/10W J	1	
	R353	RK73GB2A331J	MG RESISTOR	330Ω 1/10W J	1	
	R370	RK73GB2A683J	MG RESISTOR	68kΩ 1/10W J	1	
	R371	RK73GB2A123J	MG RESISTOR	12kΩ 1/10W J	1	
	R372	RK73GB2A103J	MG RESISTOR	10kΩ 1/10W J	1	
	R390	RK73EB2E472J	MG RESISTOR	4.7kΩ 1/4W J	1	
	R400	RK73GB2A102J	MG RESISTOR	1kΩ 1/10W J	1	

K0  
K1,K2

MODEL	MARK	MODEL	MARK	MODEL	MARK
KDC-X799	K0	KDC-BT762HD	K1	KDC-BT720HD	K2

Safe	Symbol No.	Parts No.	Parts Name	Description	QTY	Local
	R402	RK73GB2A225J	MG RESISTOR	2.2MΩ 1/10W J	1	
	R410	RK73GB2A101J	MG RESISTOR	100Ω 1/10W J	1	
	R411	RK73GB2A101J	MG RESISTOR	100Ω 1/10W J	1	
	R412	RK73GB2A472J	MG RESISTOR	4.7kΩ 1/10W J	1	
	R413	RK73GB2A472J	MG RESISTOR	4.7kΩ 1/10W J	1	
	R414	RK73GB2A472J	MG RESISTOR	4.7kΩ 1/10W J	1	
	R470	RK73GB2A104J	MG RESISTOR	100kΩ 1/10W J	1	
	R471	RK73GB2A101J	MG RESISTOR	100Ω 1/10W J	1	
	R472	RK73GB2A101J	MG RESISTOR	100Ω 1/10W J	1	
	R476	RK73GB2A222J	MG RESISTOR	2.2kΩ 1/10W J	1	
	R477	RK73GB2A101J	MG RESISTOR	100Ω 1/10W J	1	
	R478	RK73GB2A101J	MG RESISTOR	100Ω 1/10W J	1	
	R482	RK73GB2A472J	MG RESISTOR	4.7kΩ 1/10W J	1	
	R483	RK73EB2E221J	MG RESISTOR	220Ω 1/4W J	1	
	R541	RK73GB2A562J	MG RESISTOR	5.6kΩ 1/10W J	1	
	R542	RK73GB2A223J	MG RESISTOR	22kΩ 1/10W J	1	
	R543	RK73GB2A562J	MG RESISTOR	5.6kΩ 1/10W J	1	
	R544	RK73GB2A183J	MG RESISTOR	18kΩ 1/10W J	1	
	R546	RK73GB2A103J	MG RESISTOR	10kΩ 1/10W J	1	
	R548	RK73GB2A123J	MG RESISTOR	12kΩ 1/10W J	1	
	R550	RK73GB2A222J	MG RESISTOR	2.2kΩ 1/10W J	1	
	R551	RK73GB2A222J	MG RESISTOR	2.2kΩ 1/10W J	1	
	R554	RK73GB2A225J	MG RESISTOR	2.2MΩ 1/10W J	1	
	R556	RK73GB2A472J	MG RESISTOR	4.7kΩ 1/10W J	1	
	R557	RK73EB2E4R7J	MG RESISTOR	4.7Ω 1/4W J	1	
	R558	RK73GB2A821J	MG RESISTOR	820Ω 1/10W J	1	
	R559	RK73GB2A272J	MG RESISTOR	2.7kΩ 1/10W J	1	
	R562	RK73EB2E823J	MG RESISTOR	82kΩ 1/4W J	1	
	R565	RK73GB2A121J	MG RESISTOR	120Ω 1/10W J	1	
	R567	RK73GB2A000J	MG RESISTOR	0Ω 1/10W J	1	
	R569	RK73EB2E102J	MG RESISTOR	1kΩ 1/4W J	1	
	R570	RK73GB2A101J	MG RESISTOR	100Ω 1/10W J	1	
	R571	RK73GB2A103J	MG RESISTOR	10kΩ 1/10W J	1	
	R572	RK73GB2A102J	MG RESISTOR	1kΩ 1/10W J	1	
	R573	RK73GB2A105J	MG RESISTOR	1MΩ 1/10W J	1	
	R579	RK73GB2A222J	MG RESISTOR	2.2kΩ 1/10W J	1	
	R580	RK73GB2A222J	MG RESISTOR	2.2kΩ 1/10W J	1	
	R587	RK73GB2A5R1J	MG RESISTOR	5.1Ω 1/10W J	1	
	R589	RK73GB2A821J	MG RESISTOR	820Ω 1/10W J	1	
	R590	RK73GB2A821J	MG RESISTOR	820Ω 1/10W J	1	
	R600	RK73GB2A100J	MG RESISTOR	10Ω 1/10W J	1	
	R602	RK73GB2A2R0J	MG RESISTOR	2Ω 1/10W J	1	
	R650	RK73GB2A101J	MG RESISTOR	100Ω 1/10W J	1	
	R651	RK73GB2A101J	MG RESISTOR	100Ω 1/10W J	1	
	R652	RK73GB2A391J	MG RESISTOR	390Ω 1/10W J	1	
	R653	RK73GB2A101J	MG RESISTOR	100Ω 1/10W J	1	
	R654	RK73GB2A101J	MG RESISTOR	100Ω 1/10W J	1	
	R661	RK73GB2A000J	MG RESISTOR	0Ω 1/10W J	1	
	R662	RK73GB2A000J	MG RESISTOR	0Ω 1/10W J	1	
	R701	RK73GB2A162J	MG RESISTOR	1.6kΩ 1/10W J	1	
	R702	RK73GB2A472J	MG RESISTOR	4.7kΩ 1/10W J	1	
	R703	RK73GB2A162J	MG RESISTOR	1.6kΩ 1/10W J	1	
	R704	RK73GB2A162J	MG RESISTOR	1.6kΩ 1/10W J	1	
	R705	RK73GB2A162J	MG RESISTOR	1.6kΩ 1/10W J	1	
	R706	RK73GB2A473J	MG RESISTOR	47kΩ 1/10W J	1	
	R707	RK73GB2A162J	MG RESISTOR	1.6kΩ 1/10W J	1	
	R708	RK73GB2A473J	MG RESISTOR	47kΩ 1/10W J	1	
	R709	RK73GB2A332J	MG RESISTOR	3.3kΩ 1/10W J	1	
	R711	RK73GB2A222J	MG RESISTOR	2.2kΩ 1/10W J	1	
	R712	RK73GB2A102J	MG RESISTOR	1kΩ 1/10W J	1	
	R713	RK73GB2A222J	MG RESISTOR	2.2kΩ 1/10W J	1	
	R714	RK73GB2A102J	MG RESISTOR	1kΩ 1/10W J	1	
	R715	RK73GB2A222J	MG RESISTOR	2.2kΩ 1/10W J	1	
	R716	RK73GB2A222J	MG RESISTOR	2.2kΩ 1/10W J	1	
	R717	RK73GB2A104J	MG RESISTOR	100kΩ 1/10W J	1	
	R719	RK73GB2A911J	MG RESISTOR	910Ω 1/10W J	1	
	R720	RK73GB2A473J	MG RESISTOR	47kΩ 1/10W J	1	
	R721	RK73GB2A473J	MG RESISTOR	47kΩ 1/10W J	1	
	R722	RK73GB2A911J	MG RESISTOR	910Ω 1/10W J	1	
	R723	RK73GB2A473J	MG RESISTOR	47kΩ 1/10W J	1	
	R724	RK73GB2A105J	MG RESISTOR	1MΩ 1/10W J	1	
	R725	RK73GB2A102J	MG RESISTOR	1kΩ 1/10W J	1	
	R726	RK73GB2A220J	MG RESISTOR	22Ω 1/10W J	1	
	R727	RK73GB2A153J	MG RESISTOR	15kΩ 1/10W J	1	
	R728	RK73GB2A220J	MG RESISTOR	22Ω 1/10W J	1	
	R729	RK73GB2A153J	MG RESISTOR	15kΩ 1/10W J	1	
	R730	RK73GB2A473J	MG RESISTOR	47kΩ 1/10W J	1	
	R731	RK73GB2A473J	MG RESISTOR	47kΩ 1/10W J	1	
	R732	RK73GB2A333J	MG RESISTOR	33kΩ 1/10W J	1	
	R732	RK73GB2A393J	MG RESISTOR	39kΩ 1/10W J	1	
	R733	RK73GB2A153J	MG RESISTOR	15kΩ 1/10W J	1	
	R733	RK73GB2A822J	MG RESISTOR	8.2kΩ 1/10W J	1	
	R735	RK73GB2A473J	MG RESISTOR	47kΩ 1/10W J	1	
	R739	RK73GB2A473J	MG RESISTOR	47kΩ 1/10W J	1	
	R740	RK73GB2A473J	MG RESISTOR	47kΩ 1/10W J	1	
	R741	RK73GB2A473J	MG RESISTOR	47kΩ 1/10W J	1	
	R742	RK73GB2A473J	MG RESISTOR	47kΩ 1/10W J	1	
	R743	RK73GB2A473J	MG RESISTOR	47kΩ 1/10W J	1	
	R744	RK73GB2A473J	MG RESISTOR	47kΩ 1/10W J	1	
	R745	RK73GB2A222J	MG RESISTOR	2.2kΩ 1/10W J	1	
	R746	RK73GB2A472J	MG RESISTOR	4.7kΩ 1/10W J	1	
	R747	RK73GB2A472J	MG RESISTOR	4.7kΩ 1/10W J	1	

K0  
K1,K2  
K0  
K1,K2

MODEL	MARK	MODEL	MARK	MODEL	MARK
KDC-X799	K0	KDC-BT762HD	K1	KDC-BT720HD	K2

Safe	Symbol No.	Parts No.	Parts Name	Description	QTY	Local
	R748	RK73GB2A473J	MG RESISTOR	47kΩ 1/10W J	1	
	R749	RK73GB2A473J	MG RESISTOR	47kΩ 1/10W J	1	
	R750	RK73GB2A121J	MG RESISTOR	120Ω 1/10W J	1	
	R751	RK73GB2A473J	MG RESISTOR	47kΩ 1/10W J	1	
	R752	RK73GB2A121J	MG RESISTOR	120Ω 1/10W J	1	
	R753	RK73EB2E910J	MG RESISTOR	91Ω 1/4W J	1	
	R754	RK73GB2A121J	MG RESISTOR	120Ω 1/10W J	1	
	R755	RK73GB2A100J	MG RESISTOR	10Ω 1/10W J	1	
	R756	RK73GB2A473J	MG RESISTOR	47kΩ 1/10W J	1	
	R757	RK73GB2A473J	MG RESISTOR	47kΩ 1/10W J	1	
	R758	RK73GB2A473J	MG RESISTOR	47kΩ 1/10W J	1	
	R759	RK73EB2E471J	MG RESISTOR	470Ω 1/4W J	1	
	R760	RK73GB2A473J	MG RESISTOR	47kΩ 1/10W J	1	
	R761	RK73GB2A473J	MG RESISTOR	47kΩ 1/10W J	1	
	R762	RK73GB2A473J	MG RESISTOR	47kΩ 1/10W J	1	
	R763	RK73GB2A472J	MG RESISTOR	4.7kΩ 1/10W J	1	
	R764	RK73GB2A472J	MG RESISTOR	4.7kΩ 1/10W J	1	
	R768	RK73GB2A101J	MG RESISTOR	100Ω 1/10W J	1	
	R769	RK73GB2A473J	MG RESISTOR	47kΩ 1/10W J	1	
	R775	RK73GB2A000J	MG RESISTOR	0Ω 1/10W J	1	
	R776	RK73GB2A000J	MG RESISTOR	0Ω 1/10W J	1	
	R820	RK73GB2A473J	MG RESISTOR	47kΩ 1/10W J	1	
	R821	RK73GB2A473J	MG RESISTOR	47kΩ 1/10W J	1	
	R822	RK73GB2A473J	MG RESISTOR	47kΩ 1/10W J	1	
	R830	RK73GB2A101J	MG RESISTOR	100Ω 1/10W J	1	
	R840	RK73GB2A271J	MG RESISTOR	270Ω 1/10W J	1	
	R841	RK73GB2A271J	MG RESISTOR	270Ω 1/10W J	1	
	R861	RK73GB2A200J	MG RESISTOR	20Ω 1/10W J	1	
	R863	RK73GB2A393J	MG RESISTOR	39kΩ 1/10W J	1	
	R865	RK73GH2A683D	MG RESISTOR	68kΩ 1/10W D	1	
	R866	RK73GH2A183D	MG RESISTOR	18kΩ 1/10W D	1	
	R867	RK73GH2A393D	MG RESISTOR	39kΩ 1/10W D	1	
	R868	RK73GB2A000J	MG RESISTOR	0Ω 1/10W J	1	
	R890	RK73GH2A203D	MG RESISTOR	20kΩ 1/10W D	1	
	R892	RK73GB2A222J	MG RESISTOR	2.2kΩ 1/10W J	1	
	R901	RK73GB2A100J	MG RESISTOR	10Ω 1/10W J	1	
	R902	RK73GB2A100J	MG RESISTOR	10Ω 1/10W J	1	
	R903	RK73GB2A101J	MG RESISTOR	100Ω 1/10W J	1	
	R904	RK73EB2E682J	MG RESISTOR	6.8kΩ 1/4W J	1	
	R905	RK73EB2E682J	MG RESISTOR	6.8kΩ 1/4W J	1	
	R907	RK73EB2E473J	MG RESISTOR	47kΩ 1/4W J	1	
	R908	RK73EB2E473J	MG RESISTOR	47kΩ 1/4W J	1	
	R933	RK73GB2A000J	MG RESISTOR	0Ω 1/10W J	1	
	R940	RK73EB2E1R0J	MG RESISTOR	1Ω 1/4W J	1	
	R960	RK73GB2A103J	MG RESISTOR	10kΩ 1/10W J	1	
	R961	RK73GB2A151J	MG RESISTOR	150Ω 1/10W J	1	
	R962	RK73GB2A000J	MG RESISTOR	0Ω 1/10W J	1	
	R1003	RK73GB2A473J	MG RESISTOR	47kΩ 1/10W J	1	
	R1034	RK73GB2A102J	MG RESISTOR	1kΩ 1/10W J	1	
	R1035	RK73GB2A000J	MG RESISTOR	0Ω 1/10W J	1	
	R1036	RK73EB2E431J	MG RESISTOR	430Ω 1/4W J	1	K0
	R1036	RK73EB2E000J	MG RESISTOR	0Ω 1/4W J	1	K1,K2
	R1037	RK73EB2E431J	MG RESISTOR	430Ω 1/4W J	1	K0
	R1038	RK73EB2E431J	MG RESISTOR	430Ω 1/4W J	1	K0
	R1039	RK73EB2E431J	MG RESISTOR	430Ω 1/4W J	1	K0
	R1040	RK73GB2A513J	MG RESISTOR	51kΩ 1/10W J	1	K0
	R1041	RK73EB2E361J	MG RESISTOR	360Ω 1/4W J	1	K0
	R1042	RK73EB2E361J	MG RESISTOR	360Ω 1/4W J	1	K0
	R1043	RK73GB2A101J	MG RESISTOR	100Ω 1/10W J	1	
	R1044	RK73EB2E000J	MG RESISTOR	0Ω 1/4W J	1	
	R1045	RK73GB2A101J	MG RESISTOR	100Ω 1/10W J	1	
	R1051	RK73GB2A100J	MG RESISTOR	10Ω 1/10W J	1	
	R1053	RK73GB2A100J	MG RESISTOR	10Ω 1/10W J	1	
	R1055	RK73GB2A100J	MG RESISTOR	10Ω 1/10W J	1	
	R1057	RK73GB2A100J	MG RESISTOR	10Ω 1/10W J	1	
	R1062	RK73GB2A000J	MG RESISTOR	0Ω 1/10W J	1	
	R1063	RK73GB2A000J	MG RESISTOR	0Ω 1/10W J	1	
	R1064	RK73GB2A100J	MG RESISTOR	10Ω 1/10W J	1	
	R1065	RK73GB2A100J	MG RESISTOR	10Ω 1/10W J	1	
	R1066	RK73GB2A100J	MG RESISTOR	10Ω 1/10W J	1	
	R1068	RK73GB2A101J	MG RESISTOR	100Ω 1/10W J	1	
	R1069	RK73GB2A101J	MG RESISTOR	100Ω 1/10W J	1	
	R1070	RK73GB2A102J	MG RESISTOR	1kΩ 1/10W J	1	
	R1073	RK73GB2A000J	MG RESISTOR	0Ω 1/10W J	1	
	R1075	RK73GB2A100J	MG RESISTOR	10Ω 1/10W J	1	
	R1078	RK73EB2E000J	MG RESISTOR	0Ω 1/4W J	1	
	R1080	RK73GB2A000J	MG RESISTOR	0Ω 1/10W J	1	
	R1081	RK73GB2A000J	MG RESISTOR	0Ω 1/10W J	1	
	R1087	RK73GB2A102J	MG RESISTOR	1kΩ 1/10W J	1	
	R1088	RK73GB2A000J	MG RESISTOR	0Ω 1/10W J	1	
	R1229	RK73GB2A000J	MG RESISTOR	0Ω 1/10W J	1	
	R1230	RK73GB2A162J	MG RESISTOR	1.6kΩ 1/10W J	1	
	R1231	RK73GB2A000J	MG RESISTOR	0Ω 1/10W J	1	
	R1236	RK73GB2A910J	MG RESISTOR	91Ω 1/10W J	1	
	R1237	RK73GB2A910J	MG RESISTOR	91Ω 1/10W J	1	
	R1238	RK73GB2A910J	MG RESISTOR	91Ω 1/10W J	1	
	R1239	RK73GB2A910J	MG RESISTOR	91Ω 1/10W J	1	
	R1241	RK73GB2A100J	MG RESISTOR	10Ω 1/10W J	1	
	R1243	RK73GH2A100D	MG RESISTOR	10Ω 1/10W D	1	
	R1245	RK73GB2A000J	MG RESISTOR	0Ω 1/10W J	1	
	R1246	RK73GB2A000J	MG RESISTOR	0Ω 1/10W J	1	
	R1700	RK73GB2A101J	MG RESISTOR	100Ω 1/10W J	1	

MODEL	MARK	MODEL	MARK	MODEL	MARK
KDC-X799	K0	KDC-BT762HD	K1	KDC-BT720HD	K2

Safe	Symbol No.	Parts No.	Parts Name	Description	QTY	Local
	R1701	RK73GB2A101J	MG RESISTOR	100Ω 1/10W J	1	
	R1820	RK73EB2E000J	MG RESISTOR	0Ω 1/4W J	1	
	RA471	RK74GB1J100J	NET RESISTOR	10Ω 1/16W J	1	
	RA540	RK74GB1J471J	NET RESISTOR	470Ω 1/16W J	1	
	RA701	RK74GB1J221J	NET RESISTOR	220Ω 1/16W J	1	
	L220	LR73Z0AD470M	CHIP INDUCTOR	47uH	1	
	L221	LB73G0BA-005	CHIP FERRITE		1	
	L222	LB73G0BA-005	CHIP FERRITE		1	
	L223	LR73Z0AD4R7M	CHIP INDUCTOR	4.7uH	1	
	L540	NQR0713-001X	FERRITE BEADS		1	
	L574	NQR0713-001X	FERRITE BEADS		1	
	L600	LB73G0AM-004	CHIP FERRITE		1	
	L601	LR73Z0AD4R7M	CHIP INDUCTOR	4.7uH	1	
	L602	LB73G0BA-005	CHIP FERRITE		1	
	L700	NQR0713-001X	FERRITE BEADS		1	
	L701	NQR0714-001X	FERRITE BEADS		1	
	L703	LB73G0BA-005	CHIP FERRITE		1	
	L704	LB73G0BA-005	CHIP FERRITE		1	
	L705	LB73G0BA-005	CHIP FERRITE		1	
	L709	NQR0713-001X	FERRITE BEADS		1	
	L710	NQR0713-001X	FERRITE BEADS		1	
	L711	NQR0713-001X	FERRITE BEADS		1	
	L777	NQR0713-001X	FERRITE BEADS		1	
	L778	NQR0713-001X	FERRITE BEADS		1	
	L820	NQR0713-001X	FERRITE BEADS		1	
	L821	NQR0713-001X	FERRITE BEADS		1	
	L822	NQR0713-001X	FERRITE BEADS		1	
	L823	NQR0713-001X	FERRITE BEADS		1	
	L824	NQR0713-001X	FERRITE BEADS		1	
	L825	LB73G0CA-002	CHIP FERRITE		1	
	L826	NQR0269-030X	FERRITE BEADS		1	
	L827	NQR0714-001X	FERRITE BEADS		1	
	L850	LR73Z0AD4R7M	CHIP INDUCTOR	4.7uH	1	
	L860	NQLL6EM-100X	INDUCTOR	10uH M	1	
	L861	NQLH65M-4R7X	INDUCTOR	4.7uH M	1	
	L960	LB73G0AM-004	CHIP FERRITE		1	
	L990	QQR1909-001	CHOKE COIL		1	
	L1000	NQR0713-001X	FERRITE BEADS		1	
	L1005	NQR0713-001X	FERRITE BEADS		1	
	L1006	NQR0713-001X	FERRITE BEADS		1	
	L1007	NQR0713-001X	FERRITE BEADS		1	
	CN220	QGA2001C1-02	W TO B CONNE	W-B (1-2)	1	
	CN221	QGF1040F1-11	FFC/FPC CONNE	FFC/FPC (1-11)	1	
	CN502	QGF1040F1-24	FFC/FPC CONNE	FFC/FPC (1-24)	1	
	CN701	QG22006J1-20	DETACHABLE CONN	(1-20)	1	
	CN990	QNZ0607-001	CAR CONNECTOR		1	
	J321	QNN0866-001	PIN JACK		1	
	J470	QNZ0907-001	CIR CONNECTOR		1	
	J601	QNB0356-001	ANT TERMINAL		1	
	S830	QSW0648-001Z	TACT SWITCH		1	
	X540	NAX1224-001X	CRYSTAL		1	
	X701	NAX1243-001X	CRYSTAL		1	
	SWITCH PWB ASSY (XK6-0080-10) <03>					
	IC1	BU97530KV-M-X	IC		1	
	IC90	PIC95603-X	IR DETECT UNIT		1	
	Q1	LSCR523UBFS8	TRANSISTOR		1	
	Q51	LSCR523UBFS8	TRANSISTOR		1	
	Q52	LSCR523UBFS8	TRANSISTOR		1	
	Q53	LSCR523UBFS8	TRANSISTOR		1	
	D1	DZ2J056M	ZENER DIODE		1	
	D2	MBRX130	SCHOTTKY DIODE		1	
	D20	SML-D12V8WT	LED		1	
	D21	SML-D12V8WT	LED		1	
	D22	LRTBGFTG/Z1Z1X	LED		1	
	D23	LRTBGFTG/Z1Z1X	LED		1	
	D24	LRTBGFTG/Z1Z1X	LED		1	
	D25	LRTBGFTG/Z1Z1X	LED		1	
	D26	LRTBGFTG/Z1Z1X	LED		1	
	D40	LRTBGFTG/Z1Z1X	LED		1	
	D80	DZ2J051M	ZENER DIODE		1	
	D81	DZ2J051M	ZENER DIODE		1	
	C1	CK73GXR1C105K	C CAPACITOR	1uF 16V K	1	
	C5	CK73GXR1C105K	C CAPACITOR	1uF 16V K	1	
	C6	CK73EXR1C106K	C CAPACITOR	10uF 16V K	1	
	C7	CK73GBB1H472K	C CAPACITOR	4700pF 50V K	1	
	C60	CK73GBB1H102K	C CAPACITOR	1000pF 50V K	1	
	C61	CK73GBB1H102K	C CAPACITOR	1000pF 50V K	1	
	C80	CC73GCH1H270J	C CAPACITOR	27pF 50V J	1	
	C81	CC73GCH1H270J	C CAPACITOR	27pF 50V J	1	
	C82	CK73EXR1C106K	C CAPACITOR	10uF 16V K	1	
	C83	CK73GBB1H471K	C CAPACITOR	470pF 50V K	1	
	C84	CK73GBB1H472K	C CAPACITOR	4700pF 50V K	1	
	C85	CK73GBB1H471K	C CAPACITOR	470pF 50V K	1	
	C91	CK73GXR1A105K	C CAPACITOR	1uF 10V K	1	
	R3	RK73GB2A471J	MG RESISTOR	470Ω 1/10W J	1	
	R4	RK73GB2A101J	MG RESISTOR	100Ω 1/10W J	1	
	R5	RK73FB2B331J	MG RESISTOR	330Ω 1/8W J	1	
	R6	RK73GB2A102J	MG RESISTOR	1kΩ 1/10W J	1	
	R7	RK73EB2E000J	MG RESISTOR	0Ω 1/4W J	1	
	R20	RK73EB2E222J	MG RESISTOR	2.2kΩ 1/4W J	1	
	R21	RK73FB2B222J	MG RESISTOR	2.2kΩ 1/8W J	1	
	R23	RK73FB2B471J	MG RESISTOR	470Ω 1/8W J	1	
	R25	RR73FB2B471J	MG RESISTOR	470Ω 1/8W J	1	

MODEL	MARK	MODEL	MARK	MODEL	MARK
KDC-X799	K0	KDC-BT762HD	K1	KDC-BT720HD	K2

Safe	Symbol No.	Parts No.	Parts Name	Description	QTY	Local
	R27	RK73FB2B122J	MG RESISTOR	1.2kΩ 1/8W J	1	
	R29	RK73FB2B471J	MG RESISTOR	470Ω 1/8W J	1	
	R31	RK73FB2B471J	MG RESISTOR	470Ω 1/8W J	1	
	R33	RK73FB2B122J	MG RESISTOR	1.2kΩ 1/8W J	1	
	R35	RK73FB2B821J	MG RESISTOR	820Ω 1/8W J	1	
	R37	RK73FB2B821J	MG RESISTOR	820Ω 1/8W J	1	
	R39	RK73FB2B122J	MG RESISTOR	1.2kΩ 1/8W J	1	
	R44	RK73FB2B621J	MG RESISTOR	620Ω 1/8W J	1	
	R46	RK73FB2B621J	MG RESISTOR	620Ω 1/8W J	1	
	R48	RK73FB2B911J	MG RESISTOR	910Ω 1/8W J	1	
	R60	RK73FB2B101J	MG RESISTOR	100Ω 1/8W J	1	
	R61	RK73FB2B101J	MG RESISTOR	100Ω 1/8W J	1	
	R62	RK73FB2B4R7J	MG RESISTOR	4.7Ω 1/8W J	1	
	R80	RK73EB2E221J	MG RESISTOR	220Ω 1/4W J	1	
	R90	RK73GB2A333J	MG RESISTOR	33kΩ 1/10W J	1	
	R1002	RK73GB2A000J	MG RESISTOR	0Ω 1/10W J	1	
	R1006	RK73GB2A000J	MG RESISTOR	0Ω 1/10W J	1	
	R1007	RK73EB2E000J	MG RESISTOR	0Ω 1/4W J	1	
	RA1	RK74GB1J101J	NET RESISTOR	100Ω 1/16W J	1	
	RA2	RK74GB1J101J	NET RESISTOR	100Ω 1/16W J	1	
	RA3	RK74GB1J101J	NET RESISTOR	100Ω 1/16W J	1	
	RA4	RK74GB1J102J	NET RESISTOR	1kΩ 1/16W J	1	
	L2	LR7320AD4R7M	CHIP INDUCTOR	4.7uH	1	
	CN1	QGZ2006K1-20X	DETACHABLE CONN	(1-20)	1	
	FL80	NQR0704-001X	CHOKE COIL		1	
	J60	QNS0323-001	3.5 JACK		1	
	J80	QNZ1076-001	USB CONNECTOR		1	
	S20	QSW1288-001	ROTARY ENCODER		1	
	S601	NSW0246-001X	TACT SWITCH		1	
	S602	NSW0246-001X	TACT SWITCH		1	
	S603	NSW0246-001X	TACT SWITCH		1	
	S604	NSW0246-001X	TACT SWITCH		1	
	S605	NSW0246-001X	TACT SWITCH		1	
	S606	NSW0246-001X	TACT SWITCH		1	
	S607	NSW0246-001X	TACT SWITCH		1	
	S608	NSW0246-001X	TACT SWITCH		1	
	S609	NSW0246-001X	TACT SWITCH		1	
	S610	NSW0246-001X	TACT SWITCH		1	
	S611	NSW0246-001X	TACT SWITCH		1	
	S612	NSW0246-001X	TACT SWITCH		1	
	S613	NSW0246-001X	TACT SWITCH		1	
	S614	NSW0246-001X	TACT SWITCH		1	
	S615	NSW0246-001X	TACT SWITCH		1	
	HD TUNER PWB ASSY (XJM-0120-11) <02>					
	IC1	SI4763-A42-GM	MOS IC		1	
	IC2	SI4613-A10-GM	MOS IC		1	
	IC3	W3F-0068-00	ROM IC		1	
	IC4	XC6213B182N-G	MOS IC		1	
	C2	CC73HCH1H101J	C CAPACITOR	100pF 50V J	1	
	C3	CK73HBB1H222K	C CAPACITOR	2200pF 50V K	1	
	C4	CK73HBB1H222K	C CAPACITOR	2200pF 50V K	1	
	C5	CK73HBB1H222K	C CAPACITOR	2200pF 50V K	1	
	C6	CK73FXR1C106K	C CAPACITOR	10uF 16V K	1	
	C7	CK73GGB1H222K	C CAPACITOR	2200pF 50V K	1	
	C8	CK73GGB1H102K	C CAPACITOR	1000pF 50V K	1	
	C9	CC73GCH1H390J	C CAPACITOR	39pF 50V J	1	
	C10	CC73GCH1H270J	C CAPACITOR	27pF 50V J	1	
△	C15	CC73GCH1H010C	C CAPACITOR	1pF 50V C	1	
	C16	CC73GCH1H050C	C CAPACITOR	5pF 50V C	1	
	C18	CK73GGB1C104K	C CAPACITOR	0.1uF 16V K	1	
	C19	CK73GGB1H103K	C CAPACITOR	0.01uF 50V K	1	
	C20	CK73FXR1C106K	C CAPACITOR	10uF 16V K	1	
	C21	CK73GGB1C104K	C CAPACITOR	0.1uF 16V K	1	
	C22	CK73GGB1H102K	C CAPACITOR	1000pF 50V K	1	
	C25	CK73GGB1H682K	C CAPACITOR	6800pF 50V K	1	
	C26	CK73GGB1H682K	C CAPACITOR	6800pF 50V K	1	
	C27	CK73GXR1C105K	C CAPACITOR	1uF 16V K	1	
	C28	CK73GXR1C105K	C CAPACITOR	1uF 16V K	1	
	C29	CC73HCH1H060D	C CAPACITOR	6pF 50V D	1	
	C30	CC73HCH1H060D	C CAPACITOR	6pF 50V D	1	
	C32	CK73GXR1C105K	C CAPACITOR	1uF 16V K	1	
	C33	CK73GXR1C105K	C CAPACITOR	1uF 16V K	1	
	C40	CC73GCH1H020C	C CAPACITOR	2pF 50V C	1	
	C101	CC73GCH1H220J	C CAPACITOR	22pF 50V J	1	
	C102	CC73GCH1H220J	C CAPACITOR	22pF 50V J	1	
	C103	CC73GCH1H220J	C CAPACITOR	22pF 50V J	1	
	C120	CC73GCH1H020C	C CAPACITOR	2pF 50V C	1	
	C121	CK73HBB1C104K	C CAPACITOR	0.1uF 16V K	1	
	C122	CK73GGB1H102K	C CAPACITOR	1000pF 50V K	1	
	C123	CC73HCH1H180J	C CAPACITOR	18pF 50V J	1	
	C124	CC73HCH1H180J	C CAPACITOR	18pF 50V J	1	
	C125	CC73HCH1H180J	C CAPACITOR	18pF 50V J	1	
	C127	CK73GGB1C104K	C CAPACITOR	0.1uF 16V K	1	
	C128	CC73GCH1H020C	C CAPACITOR	2pF 50V C	1	
	C129	CK73HBB1H222K	C CAPACITOR	2200pF 50V K	1	
	C131	CC73HCH1H180J	C CAPACITOR	18pF 50V J	1	
	C143	CK73HBB1H222K	C CAPACITOR	2200pF 50V K	1	
	C144	CK73HBB1H222K	C CAPACITOR	2200pF 50V K	1	
	C146	CK73HBB1H222K	C CAPACITOR	2200pF 50V K	1	
	R1	RK73GB2A000J	MG RESISTOR	0Ω 1/10W J	1	
	R3	RK73GB2A240J	MG RESISTOR	24Ω 1/10W J	1	

MODEL	MARK	MODEL	MARK	MODEL	MARK
KDC-X799	K0	KDC-BT762HD	K1	KDC-BT720HD	K2

Safe	Symbol No.	Parts No.	Parts Name	Description	QTY	Local
	R4	RK73GB2A474J	MG RESISTOR	470kΩ 1/10W J	1	
	R5	RK73GB2A474J	MG RESISTOR	470kΩ 1/10W J	1	
	R10	RK73HB1J222J	MG RESISTOR	2.2kΩ 1/16W J	1	
	R11	RK73HB1J222J	MG RESISTOR	2.2kΩ 1/16W J	1	
	R12	RK73HB1J103J	MG RESISTOR	10kΩ 1/16W J	1	
	R14	RK73GB2A471J	MG RESISTOR	470Ω 1/10W J	1	
	R16	RK73HB1J470J	MG RESISTOR	47Ω 1/16W J	1	
	R17	RK73HB1J470J	MG RESISTOR	47Ω 1/16W J	1	
	R18	RK73HB1J470J	MG RESISTOR	47Ω 1/16W J	1	
	R20	RK73GB2A000J	MG RESISTOR	0Ω 1/10W J	1	
	R26	RK73HB1J000J	MG RESISTOR	0Ω 1/16W J	1	
	R29	RK73GB2A000J	MG RESISTOR	0Ω 1/10W J	1	
	R30	RK73GB2A000J	MG RESISTOR	0Ω 1/10W J	1	
	R31	RK73GB2A000J	MG RESISTOR	0Ω 1/10W J	1	
	R39	RK73GB2A102J	MG RESISTOR	1kΩ 1/10W J	1	
	R40	RK73GB2A000J	MG RESISTOR	0Ω 1/10W J	1	
	R41	RK73GB2A000J	MG RESISTOR	0Ω 1/10W J	1	
	R42	RK73GB2A000J	MG RESISTOR	0Ω 1/10W J	1	
	R43	RK73GB2A000J	MG RESISTOR	0Ω 1/10W J	1	
	R44	RK73GB2A000J	MG RESISTOR	0Ω 1/10W J	1	
	R51	RK73HB1J000J	MG RESISTOR	0Ω 1/16W J	1	
	R52	RK73HB1J000J	MG RESISTOR	0Ω 1/16W J	1	
	R53	RK73HB1J000J	MG RESISTOR	0Ω 1/16W J	1	
	R54	RK73HB1J000J	MG RESISTOR	0Ω 1/16W J	1	
	R103	RK73GB2A000J	MG RESISTOR	0Ω 1/10W J	1	
	R104	RK73GB2A000J	MG RESISTOR	0Ω 1/10W J	1	
	R105	RK73GB2A000J	MG RESISTOR	0Ω 1/10W J	1	
	R107	RK73HB1J000J	MG RESISTOR	0Ω 1/16W J	1	
	R108	RK73HB1J000J	MG RESISTOR	0Ω 1/16W J	1	
	R109	RK73GB2A000J	MG RESISTOR	0Ω 1/10W J	1	
	R110	RK73GB2A000J	MG RESISTOR	0Ω 1/10W J	1	
	R111	RK73GB2A000J	MG RESISTOR	0Ω 1/10W J	1	
	R112	RK73GB2A000J	MG RESISTOR	0Ω 1/10W J	1	
	R114	RK73HB1J470J	MG RESISTOR	47Ω 1/16W J	1	
	R115	RK73GB2A223J	MG RESISTOR	22kΩ 1/10W J	1	
	R116	RK73GB2A223J	MG RESISTOR	22kΩ 1/10W J	1	
	R121	RK73GB2A470J	MG RESISTOR	47Ω 1/10W J	1	
	R122	RK73GB2A470J	MG RESISTOR	47Ω 1/10W J	1	
	R123	RK73GB2A470J	MG RESISTOR	47Ω 1/10W J	1	
	R124	RK73GB2A470J	MG RESISTOR	47Ω 1/10W J	1	
	R127	RK73GB2A470J	MG RESISTOR	47Ω 1/10W J	1	
	R129	RK73HB1J470J	MG RESISTOR	47Ω 1/16W J	1	
	R140	RK73GB2A000J	MG RESISTOR	0Ω 1/10W J	1	
	R141	RK73HB1J103J	MG RESISTOR	10kΩ 1/16W J	1	
	R142	RK73HB1J103J	MG RESISTOR	10kΩ 1/16W J	1	
	R143	RK73HB1J103J	MG RESISTOR	10kΩ 1/16W J	1	
	R144	RK73HB1J103J	MG RESISTOR	10kΩ 1/16W J	1	
	R145	RK73GB2A102J	MG RESISTOR	1kΩ 1/10W J	1	
	R155	RK73GB2A470J	MG RESISTOR	47Ω 1/10W J	1	
	R166	RK73GB2A470J	MG RESISTOR	47Ω 1/10W J	1	
	L1	LK73G0BER15K	M.CHIP INDUCTOR		1	
	L2	LK73G0BE82NK	M.CHIP INDUCTOR		1	
	L3	LK73G0BER12K	M.CHIP INDUCTOR		1	
	L4	LK73G0BER82K	M.CHIP INDUCTOR		1	
	L5	LK73G0BE1R8K	M.CHIP INDUCTOR		1	
	L8	LK73G0BER39K	M.CHIP INDUCTOR		1	
	L10	L1K-0001-00	BALUN TRANS		1	
	L14	LK73G0BE100K	M.CHIP INDUCTOR		1	
	L21	NQR0592-004X	FERRITE BEADS		1	
	L22	NQR0592-004X	FERRITE BEADS		1	
	L101	NQR0713-001X	FERRITE BEADS		1	
	CN1	EA110AD-2017B	W TO B CONNE		1	
	CN2	EA110AD-2003B	W TO B CONNE		1	
	X1	L7J-0021-00	QUARTZ CRYSTAL		1	
<b>CD MECHA PWB ASSY (X32-6680-00) &lt;04&gt;</b>						
	IC1	BD8266EFV-M-X	IC		1	
	C26	CK73FXR1C106K	C CAPACITOR	10uF 16V K	1	
	C54	CK73GB1H104K	C CAPACITOR	0.1uF 50V K	1	
	C55	CK73FXR1C106K	C CAPACITOR	10uF 16V K	1	
	R18	RK73GB2A822J	MG RESISTOR	8.2kΩ 1/10W J	1	
	R21	RK73GB2A822J	MG RESISTOR	8.2kΩ 1/10W J	1	
	R24	RK73GB2A272J	MG RESISTOR	2.7kΩ 1/10W J	1	
	R27	RK73GB2A562J	MG RESISTOR	5.6kΩ 1/10W J	1	
	R28	RK73GB2A114J	MG RESISTOR	110kΩ 1/10W J	1	
	R29	RK73GB2A101J	MG RESISTOR	100Ω 1/10W J	1	
	R30	RK73GB2A101J	MG RESISTOR	100Ω 1/10W J	1	
	R36	RK73GB2A000J	MG RESISTOR	0Ω 1/10W J	1	
	R37	RK73GB2A000J	MG RESISTOR	0Ω 1/10W J	1	
	R38	RK73GB2A000J	MG RESISTOR	0Ω 1/10W J	1	
	R40	RK73GB2A000J	MG RESISTOR	0Ω 1/10W J	1	
	R42	RK73EB2E000J	MG RESISTOR	0Ω 1/4W J	1	
	R47	RK73EB2E000J	MG RESISTOR	0Ω 1/4W J	1	
	R48	RK73EB2E000J	MG RESISTOR	0Ω 1/4W J	1	
	R50	RK73GB2A131J	MG RESISTOR	130Ω 1/10W J	1	
	CN1	QGF1044F2-24X	FFC/FPC CONNE	FFC/FPC (1-24)	1	
	CN2	E41-3488-05	F.C.CONNECTOR		1	
	S1	S6J-0001-00	PUSH SWITCH		1	
	S2	S6J-0001-00	PUSH SWITCH		1	
	S3	S6J-0002-00	PUSH SWITCH		1	