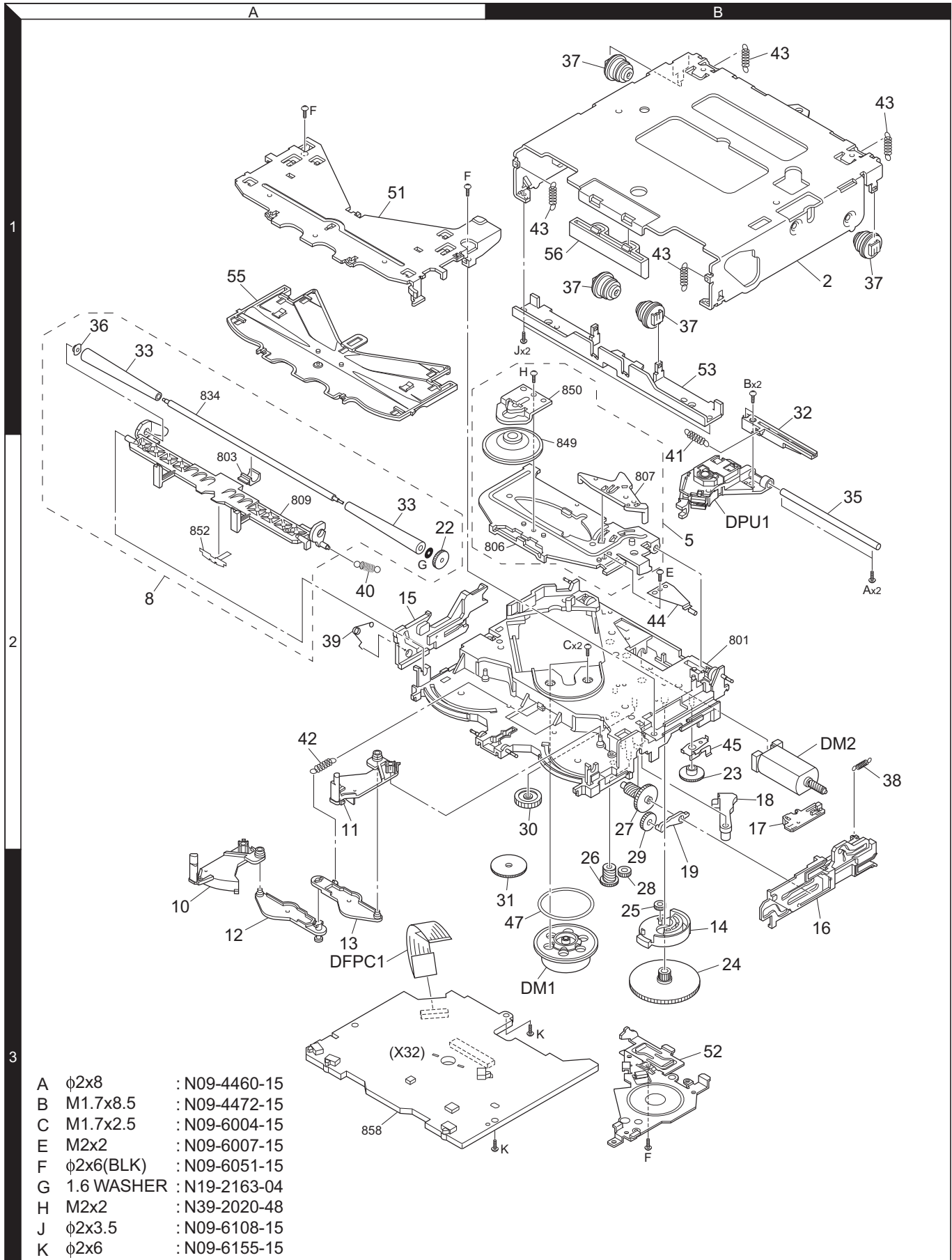
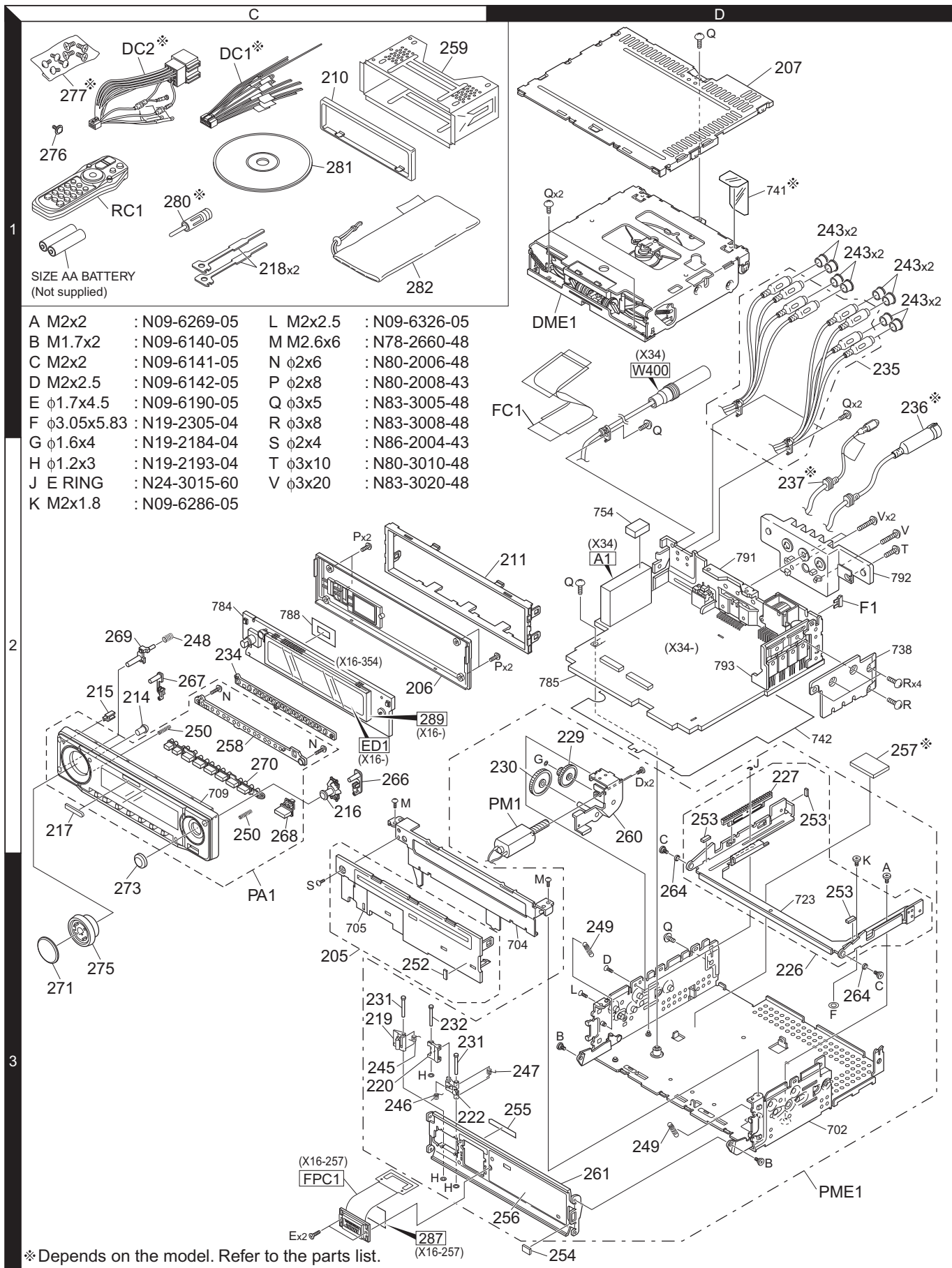


EXPLODED VIEW (CD MECHANISM)



A	φ2x8	: N09-4460-15
B	M1.7x8.5	: N09-4472-15
C	M1.7x2.5	: N09-6004-15
E	M2x2	: N09-6007-15
F	φ2x6(BLK)	: N09-6051-15
G	1.6 WASHER	: N19-2163-04
H	M2x2	: N39-2020-48
J	φ2x3.5	: N09-6108-15
K	φ2x6	: N09-6155-15

EXPLODED VIEW (UNIT)



* Depends on the model. Refer to the parts list.

Parts with the exploded numbers larger than 700 are not supplied.

PARTS LIST

* New parts

Parts without **Parts No.** are not supplied.

Les articles non mentionnés dans le **Parts No.** ne sont pas fournis.

Teile ohne **Parts No.** werden nicht geliefert.

Ref. No.	A d d	N e w	Parts No.	Description	Desti- nation
KDC-W8534/W8534Y/X790					
205	3C		A22-3023-22	SUB PANEL ASSY	
206	2C		A46-1817-01	REAR COVER	
207	1D		A52-0845-12	TOP PLATE	
PA1	3C	*	A64-3730-02	PANEL ASSY	K
PA1	3C	*	A64-3734-02	PANEL ASSY	E1E2
PME1	3D		A10-5205-22	CHASSIS ASSY	
RC1	1C		A70-2067-15	REMOTE CONTROLLER ASSY (RC-527)	
-			B46-0612-14	ID CARD	E1E2
-			B46-0681-04	ID CARD	K
-			B46-0682-00	WARRANTY CARD	KE1
-			B58-1426-04	CAUTION CARD	K
-			B59-1832-00	SUB-INSTRUCTION MANUAL	
-		*	B64-3301-00	INSTRUCTION MANUAL (ENGLISH)	K
-		*	B64-3302-00	INSTRUCTION MANUAL (FRENCH)	K
-		*	B64-3303-00	INSTRUCTION MANUAL (SPANISH)	K
-		*	B64-3304-00	INSTRUCTION MANUAL (ENGLISH)	E1E2
-		*	B64-3305-00	INSTRUCTION MANUAL (FRE.GER.)	E1
-		*	B64-3306-00	INSTRUCTION MANUAL (DUT.ITA.)	E1
-		*	B64-3307-00	INSTRUCTION MANUAL (SPA.POR.)	E1
-		*	B64-3308-00	INSTRUCTION MANUAL (RUSSIAN)	E2
210	1C		B07-3125-01	ESCUTCHEON	
211	2C		B07-3095-02	ESCUTCHEON	
214	2C	*	B10-4837-04	FRONT GLASS (RC-SENSOR)	
215	2C	*	B19-2359-04	LIGHTING BOARD	
216	2C	*	B19-2360-03	LIGHTING BOARD (JOG-BASE)	
217	2C		B43-1518-04	BADGE	
218	1C		D10-4589-04	LEVER	
219	3C		D10-4805-03	LEVER	
220	3C		D10-4806-03	LEVER	
222	3C		D10-4807-13	LEVER	
226	3D		D10-4875-13	SLIDER ASSY	
227	2D		D13-2318-13	RACK (GEAR)	
229	2D		D13-2320-04	GEAR	
230	2D		D13-2321-04	GEAR	
231	3C		D21-2442-04	SHAFT	
232	3C		D21-2443-04	SHAFT	
234	2C		E29-2026-03	CONDUCTIVE RUBBER	
235	1D		E30-6435-05	CORD WITH PINPLUG	K
235	1D		E30-6436-05	CORD WITH PINPLUG	E1E2
236	2D		E30-6292-15	CORD WITH DIN CONNECTOR	E1E2
237	2D	*	E30-6533-05	CORD WITH CONNECTOR (WIRED-R/C)	K
△ DC1	1C		E30-6408-05	DC CORD	K
△ DC2	1C		E30-6412-05	DC CORD	E1E2
FC1	1D		E39-0736-05	FLAT CABLE (24P)	
243	1D		F29-0626-04	INSULATING COVER	
△ F1	2D		F52-0023-05	FUSE (MINI BLADE TYPE) 10A	
245	3C		G01-3210-04	TORSION COIL SPRING	
246	3C		G01-3211-04	TORSION COIL SPRING	
247	3D		G01-3212-04	TORSION COIL SPRING	
248	2C		G01-3213-04	COMPRESSION SPRING	
249	3D		G01-3215-04	EXTENSION SPRING	

Ref. No.	A d d	N e w	Parts No.	Description	Desti- nation
250	2C	*	G01-3291-04	COMPRESSION SPRING	
252	3C		G11-3594-04	CUSHION	
253	2D		G11-3646-04	CUSHION	
254	3D	*	G16-1606-04	SHEET	
255	3D		G16-1482-14	SHEET	
256	3D		G16-1483-04	SHEET	
257	2D	*	G16-1629-04	SHEET	E1E2
-			H10-4925-02	POLYSTYRENE FOAMED FIXTURE	
-			H25-0329-04	PROTECTION BAG (280X450X0.03)	KE2
-			H25-0337-04	PROTECTION BAG (180X300X0.03)	
-			H25-1111-04	PROTECTION BAG (280X450X0.03)	E1
-		*	H54-3652-03	ITEM CARTON CASE	K
-		*	H54-3655-03	ITEM CARTON CASE	E1
-		*	H54-3656-03	ITEM CARTON CASE	E2
258	2C		J19-7053-02	HOLDER	
259	1C		J21-9716-03	MOUNTING HARDWARE ASSY	
260	2D		J22-0114-03	MOUNTING HARDWARE ASSY	
261	3D		J22-0263-02	MOUNTING HARDWARE	
264	3D		J31-1062-04	COLLAR	
266	2C	*	K24-4428-03	PUSH KNOB (EJECT)	
267	2C	*	K24-4431-03	PUSH KNOB (ATT)	
268	2C		K24-4292-03	PUSH KNOB (SRC)	
269	2C	*	K24-4434-03	PUSH KNOB (RELEASE)	
270	2C	*	K25-1780-02	PUSH KNOB (PRESET)	
271	3C		K28-0103-03	KEY TOP (VOL)	
273	3C		K28-0106-03	KEY TOP (CONTROL)	
275	3C	*	K29-7194-03	KNOB (VOL)	
276	1C		N09-6280-05	TAPPING SCREW	
277	1C		N99-1758-05	SCREW SET	K
A	3D		N09-6269-05	STEPPED SCREW (M2X2)	
B	3D		N09-6140-05	STEPPED SCREW (M1.7X2)	
C	3D		N09-6141-05	STEPPED SCREW (M2X2)	
D	3D		N09-6142-05	MACHINE SCREW (M2X2.5)	
E	3C		N09-6190-05	TAPPING SCREW (1.7X4.5)	
F	3D		N19-2305-04	FLAT WASHER (3.05X5.83)	
G	2D		N19-2184-04	FLAT WASHER (1.6X4.0)	
H	3C		N19-2193-04	FLAT WASHER (1.2X3)	
J	2D		N24-3015-60	E TYPE RETAINING RING	
K	2D		N09-6286-05	STEPPED SCREW (M2X1.8)	
L	3D		N09-6326-05	MACHINE SCREW (M2X2.5)	
M	2C		N78-2660-48	PAN HEAD TAPTITE SCREW	
N	2C		N80-2006-48	PAN HEAD TAPTITE SCREW	
P	2C		N80-2008-43	PAN HEAD TAPTITE SCREW	
Q	1D		N83-3005-48	PAN HEAD TAPTITE SCREW	
R	2D		N83-3008-48	PAN HEAD TAPTITE SCREW	
S	3C		N86-2004-43	BINDING HEAD TAPTITE SCREW	
280	1C		T90-0523-05	ANTENNA ADAPTOR	E1E2
PM1	2D		T42-1086-14	DC MOTOR ASSY	
281	1C		W01-1643-25	COMPACT DISC	K
281	1C		W01-1647-15	COMPACT DISC	E1E2
282	1C		W01-1661-05	CARRYING CASE	E1E2
282	1C	*	W01-1664-05	CARRYING CASE	K

E1 : KDC-W8534 E2 : KDC-W8534Y (Europe)

K : KDC-X790 (North America)

△ Indicates safety critical components.

PARTS LIST

KDC-W8534/W8534Y/X790

Ref. No.	Add	New	Parts No.	Description	Destination	Ref. No.	Add	New	Parts No.	Description	Destination
DME1	1D		X92-5100-00	CD MECHANISM ASSY (DXM-6800W)	K	CP19			RK74HB1J223J	CHIP-COM 22K J 1/16W	
DME1	1D	*	X92-5680-00	CD MECHANISM ASSY (DXM-6804WE)	E1E2	CP20			RK74GA1J101J	CHIP-COM 100 J 1/16W	
SUB-CIRCUIT UNIT (X16-2570-10)						CP21			RK74HB1J331J	CHIP-COM 330 J 1/16W	
J1		*	E58-1038-05	RECTANGULAR RECEPTACLE		CP22			RK74HB1J223J	CHIP-COM 22K J 1/16W	
287	3C		F20-2284-14	INSULATING SHEET		CP23			RK74HB1J101J	CHIP-COM 100 J 1/16W	
FPC1	3C		J86-0003-05	FPC (LEAD FREE)		CP24			RK74HB1J102J	CHIP-COM 1.0K J 1/16W	
SWITCH UNIT (X16-354x-xx)						CP25			RK74HB1J332J	CHIP-COM 3.3K J 1/16W	
D1-3			B30-1605-05	LED (2COLOR PG/RED)		CP26			RK74HB1J223J	CHIP-COM 22K J 1/16W	
D5-7			B30-1729-05	LED (1608,BLUE)		CP27			RK74HB1J101J	CHIP-COM 100 J 1/16W	
D8-12			B30-1605-05	LED (2COLOR PG/RED)		CP28			RK74GA1J101J	CHIP-COM 100 J 1/16W	
D13-15			B30-1729-05	LED (1608,BLUE)		CP29			RK74HB1J101J	CHIP-COM 100 J 1/16W	
D16-18			B30-1605-05	LED (2COLOR PG/RED)		CP30			RK74HB1J102J	CHIP-COM 1.0K J 1/16W	
C2-4			CK73GB1H103K	CHIP C 0.010UF K		CP31			RK74HB1J223J	CHIP-COM 22K J 1/16W	
C6-8			CK73GB1H103K	CHIP C 0.010UF K		CP34			RK74HB1J473J	CHIP-COM 47K J 1/16W	
C10			CK73GB1A105K	CHIP C 1.0UF K		CP35			RK74GA1J223J	CHIP-COM 22K J 1/16W	
C16-18			CK73GB1H103K	CHIP C 0.010UF K		R2			RK73FB2B681J	CHIP R 680 J 1/8W	
C20-23			CK73GB1H103K	CHIP C 0.010UF K		R3,4			RK73FB2B361J	CHIP R 360 J 1/8W	
C24,25			CK73GB1H473K	CHIP C 0.047UF K		R5-7			RK73EB2E471J	CHIP R 470 J 1/4W	
C26,27			CK73GB1H103K	CHIP C 0.010UF K		R8			RK73FB2B271J	CHIP R 270 J 1/8W	
C28,29			CK73GB1A105K	CHIP C 1.0UF K		R9			RK73GB2A333J	CHIP R 33K J 1/10W	
C30			CK73GB1H103K	CHIP C 0.010UF K		R11			RK73GB2A223J	CHIP R 22K J 1/10W	
C31			CC73GCH1H221J	CHIP C 220PF J		R13			RK73GB2A222J	CHIP R 2.2K J 1/10W	
C32			CK73FB1A225K	CHIP C 2.2UF K		R17			RK73GB2A472J	CHIP R 4.7K J 1/10W	
C33			CK73GB1H103K	CHIP C 0.010UF K		R18			RK73GB2A473J	CHIP R 47K J 1/10W	
C34			CK73GB1C224K	CHIP C 0.22UF K		R20			RK73GB2A332J	CHIP R 3.3K J 1/10W	
C35,36			CK73GB1H103K	CHIP C 0.010UF K		R23,24			RK73GB2A472J	CHIP R 4.7K J 1/10W	
C37			C93-1217-05	CHIP C 0.047UF 100WV		R25			RK73GB2A101J	CHIP R 100 J 1/10W	
C38			CK73FB1A225K	CHIP C 2.2UF K		R27,28			RK73GB2A103J	CHIP R 10K J 1/10W	
C39			CK73FB0J106K	CHIP C 10UF K		R29			RK73GB2A102J	CHIP R 1.0K J 1/10W	
C40			CK73GB1H104K	CHIP C 0.10UF K		R31			RK73GB2A223J	CHIP R 22K J 1/10W	
C41,42			CK73FB0J106K	CHIP C 10UF K		R33			RK73GB2A102J	CHIP R 1.0K J 1/10W	
C43			CC73GCH1H101J	CHIP C 100PF J		R34			RK73GB2A101J	CHIP R 100 J 1/10W	
C44			CK73GB1H104K	CHIP C 0.10UF K		R36			RK73GB2A101J	CHIP R 100 J 1/10W	
C45			CC73GCH1H270J	CHIP C 27PF J	E1E2	R37			RK73GB2A473J	CHIP R 47K J 1/10W	
J1			E59-0846-05	RECTANGULAR PLUG		R38			RK73GB2A102J	CHIP R 1.0K J 1/10W	
289	2C		J19-7054-03	HOLDER		R39-41			RK73GB2A473J	CHIP R 47K J 1/10W	
L5			L40-1085-38	SMALL FIXED INDUCTOR (100NH)		R42			RK73GB2A472J	CHIP R 4.7K J 1/10W	
X1			L78-1208-05	RESONATOR (6.6M)	E1E2	R43,44			RK73PB2H120J	CHIP R 12 J 1/2W	
CP1,2			RK74HB1J223J	CHIP-COM 22K J 1/16W		R45			RK73EB2E101J	CHIP R 100 J 1/4W	
CP3			RK74GA1J223J	CHIP-COM 22K J 1/16W		R47-49			RK73EB2E101J	CHIP R 100 J 1/4W	
CP4			RK74HB1J472J	CHIP-COM 4.7K J 1/16W		R50			RK73EB2E102J	CHIP R 1.0K J 1/4W	
CP5			RK74GA1J332J	CHIP-COM 3.3K J 1/16W		R52			RK73GB2A223J	CHIP R 22K J 1/10W	
CP6			RK74GA1J473J	CHIP-COM 47K J 1/16W		R53			RK73GB2A222J	CHIP R 2.2K J 1/10W	
CP7			RK74HB1J473J	CHIP-COM 47K J 1/16W		R54			RK73EB2E333J	CHIP R 33K J 1/4W	
CP8			RK74GA1J331J	CHIP-COM 330 J 1/16W		R55			RK73GB2A473J	CHIP R 47K J 1/10W	
CP9-14			RK74HB1J331J	CHIP-COM 330 J 1/16W		R56			RK73GB2A222J	CHIP R 2.2K J 1/10W	
CP15			RK74HB1J223J	CHIP-COM 22K J 1/16W		R58			RK73GB2A222J	CHIP R 2.2K J 1/10W	
CP16			RK74HB1J331J	CHIP-COM 330 J 1/16W		R59			RK73GB2A473J	CHIP R 47K J 1/10W	
CP17			RK74HB1J223J	CHIP-COM 22K J 1/16W		R60			RK73FB2B220J	CHIP R 22 J 1/8W	
CP18			RK74HB1J331J	CHIP-COM 330 J 1/16W		R61			RK73GB2A104J	CHIP R 100K J 1/10W	
						R62			RK73PB2H2R7J	CHIP R 2.7 J 1/2W	
						R64			RK73GB2A223J	CHIP R 22K J 1/10W	
						R66			RK73EB2E821J	CHIP R 820 J 1/4W	
						W1,2			R92-2053-05	CHIP R 0 OHM J 1/8W	

E1 : KDC-W8534 E2 : KDC-W8534Y (Europe)
K : KDC-X790 (North America)

△ Indicates safety critical components.

PARTS LIST

SWITCH UNIT (X16-354x-xx)

Ref. No.	Add	New	Parts No.	Description	Destination
S2			S70-0901-05	TACT SWITCH	
S17,18			S70-0901-05	TACT SWITCH	
S19		*	S70-0941-05	TACT SWITCH	
S1			T99-0456-15	ROTARY ENCODER	
D22,23			DA204U	DIODE	
ED1		*	JN12823AB	FLUORESCENT INDICATOR TUBE	
IC1		*	S29JL32H710V9	ROM IC	
IC4		*	703134GJ013-A	MICROCONTROLLER IC	
IC5			BD5237FVE	ANALOGUE IC	
IC6			PNA4S22M02KW	ANALOGUE IC	
IC7			TC74LVX08FT	MOS-IC	
IC8			TC7WT126FU-F	MOS-IC	
IC9			TC7SH32FU-F	MOS-IC	
IC10			SI-3025KMNF	ANALOGUE IC	
IC11			SI-3033LUSNF	ANALOGUE IC	
Q1,2			2SC4617	TRANSISTOR	
Q3-5			2SD2351 (W)	TRANSISTOR	
Q6			2SB1689	TRANSISTOR	
Q7			2SA1774	TRANSISTOR	
Q8			DTC143ZE	DIGITAL TRANSISTOR	
Q9			2SC4617	TRANSISTOR	
Q10			2SA1774	TRANSISTOR	
Q11			2SC2713-F	TRANSISTOR	
Q12			2SC4667-F	TRANSISTOR	
Q13			2SB1198K	TRANSISTOR	
CD PLAYER UNIT (X32-5730-0x)					
C3			CK73GB0J105K	CHIP C 1.0UF K	
C5			CK73GB1C104K	CHIP C 0.10UF K	
C7			CK73GB0J225K	CHIP C 2.2UF K	
C8			CK73GB0J105K	CHIP C 1.0UF K	
C12-14			CK73GB1C104K	CHIP C 0.10UF K	
C17,18			CK73GB1C104K	CHIP C 0.10UF K	
C21			CK73GB1H102K	CHIP C 1000PF K	
C25,26			CK73GB1C104K	CHIP C 0.10UF K	
C28			CK73FB0J106M	CHIP C 10UF M	
C29			CK73GB1C104K	CHIP C 0.10UF K	
C30			CK73GB1H152K	CHIP C 1500PF K	
C31			CC73GCH1H470J	CHIP C 47PF J	
C32			CK73GB1C104K	CHIP C 0.10UF K	
C33			CK73GB0J225K	CHIP C 2.2UF K	
C34			CC73GCH1H560J	CHIP C 56PF J	
C35,36			CK73GB1C104K	CHIP C 0.10UF K	
C37			CK73GB1H102K	CHIP C 1000PF K	
C38			CK73GB1H682K	CHIP C 6800PF K	
C39			CK73GB1C104K	CHIP C 0.10UF K	
C40			CK73GB0J105K	CHIP C 1.0UF K	
C41			CK73GB0J475K	CHIP C 4.7UF K	
C44			CK73GB0J105K	CHIP C 1.0UF K	
C46			CK73GB1H682K	CHIP C 6800PF K	
C47			CK73GB1C104K	CHIP C 0.10UF K	
C48			CC73GCH1H040C	CHIP C 4.0PF C	
C49			CK73GB1H332K	CHIP C 3300PF K	
C50			CK73GB1C104K	CHIP C 0.10UF K	

Ref. No.	Add	New	Parts No.	Description	Destination
C51			CC73GCH1H330J	CHIP C 33PF J	
C52			CK73FB1A225K	CHIP C 2.2UF K	
C53			CK73GB0J225K	CHIP C 2.2UF K	
C54,55			CK73GB1H103K	CHIP C 0.010UF K	
C56,57			CC73GCH1H391J	CHIP C 390PF J	
C58			CK73GB1H472K	CHIP C 4700PF K	
C59,60			CK73GB1H152K	CHIP C 1500PF K	
C61,62			CK73GB1H102K	CHIP C 1000PF K	
C63			CK73GB1H152K	CHIP C 1500PF K	
C64,65			CK73GB1C104K	CHIP C 0.10UF K	
C66,67			CC73GCH1H100D	CHIP C 10PF D	
C68			CK73FB0J106M	CHIP C 10UF M	
C72			CK73GB0J225K	CHIP C 2.2UF K	
C73			CK73GB1C104K	CHIP C 0.10UF K	
C74			CK73GB0J475K	CHIP C 4.7UF K	
C75			CC73GCH1H221J	CHIP C 220PF J	
C76,77			CK73GB1C104K	CHIP C 0.10UF K	
C78-80			CC73GCH1H221J	CHIP C 220PF J	
C81-84			CK73GB1H102K	CHIP C 1000PF K	
C85			CK73GB1C104K	CHIP C 0.10UF K	
C86			CK73GB1A105K	CHIP C 1.0UF K	
C87			CK73GB0J475K	CHIP C 4.7UF K	
C88			CK73GB1H103K	CHIP C 0.010UF K	
C89			CK73GB0J105K	CHIP C 1.0UF K	
C90,91			CK73GB1H102K	CHIP C 1000PF K	
C92			CK73GB0J475K	CHIP C 4.7UF K	
C93-98			CK73GB1C104K	CHIP C 0.10UF K	
C99			CC73GCH1H060D	CHIP C 6.0PF D	
C100			CC73GCH1H020C	CHIP C 2.0PF C	
C102			CK73GB0J225K	CHIP C 2.2UF K	
C103			CK73GB1H103K	CHIP C 0.010UF K	
CN1			E41-2083-15	FLAT CABLE CONNECTOR	
CN2			E41-2297-05	FLAT CABLE CONNECTOR	K
CN2			E41-2612-05	FLAT CABLE CONNECTOR	E1E2
X1			L77-2863-05	CRYSTAL RESONATOR (16.899M)	
X2			L78-1209-05	RESONATOR (26.88MHZ)	
CP1			RK74GA1J223J	CHIP-COM 22K J 1/16W	
CP2,3			RK74GA1J101J	CHIP-COM 100 J 1/16W	
CP4			RK74GA1J103J	CHIP-COM 10K J 1/16W	
CP5			RK74GA1J102J	CHIP-COM 1.0K J 1/16W	
CP7			RK74GB1J102J	CHIP-COM 1.0K J 1/16W	
CP10			RK74GB1J103J	CHIP-COM 10K J 1/16W	
CP11			RK74GB1J472J	CHIP-COM 4.7K J 1/16W	
CP14			RK74GA1J104J	CHIP-COM 100K J 1/16W	
CP16			RK74GB1J104J	CHIP-COM 100K J 1/16W	
CP17			RK74GA1J102J	CHIP-COM 1.0K J 1/16W	
CP18,19			RK74GA1J104J	CHIP-COM 100K J 1/16W	
R1			RK73GB2A225J	CHIP R 2.2M J 1/10W	
R3			RK73GB2A223J	CHIP R 22K J 1/10W	
R4			RK73GB2A102J	CHIP R 1.0K J 1/10W	
R5			RK73GB2A101J	CHIP R 100 J 1/10W	
R6			RK73GH2A223D	CHIP R 22K D 1/10W	
R8			RK73GH2A393D	CHIP R 39K D 1/10W	

E1 : KDC-W8534 E2 : KDC-W8534Y (Europe)
K : KDC-X790 (North America)

△ Indicates safety critical components.

PARTS LIST

CD PLAYER UNIT (X32-5730-0x)

Ref. No.	Add	New	Parts No.	Description	Destination
R9			RK73GB2A223J	CHIP R 22K J 1/10W	
R10			RK73GB2A101J	CHIP R 100 J 1/10W	
R11,12			RK73GB2A223J	CHIP R 22K J 1/10W	
R13			RK73GB2A102J	CHIP R 1.0K J 1/10W	
R14,15			RK73GB2A223J	CHIP R 22K J 1/10W	
R17			RK73GB2A221J	CHIP R 220 J 1/10W	
R18			RK73GB2A102J	CHIP R 1.0K J 1/10W	
R19			RK73GB2A472J	CHIP R 4.7K J 1/10W	
R20			RK73GB2A102J	CHIP R 1.0K J 1/10W	
R21,22			RK73GB2A103J	CHIP R 10K J 1/10W	
R23,24			RK73GB2A223J	CHIP R 22K J 1/10W	
R25			RK73GB2A102J	CHIP R 1.0K J 1/10W	
R29			RK73GB2A102J	CHIP R 1.0K J 1/10W	
R34			RK73GB2A472J	CHIP R 4.7K J 1/10W	
R35			RK73GB2A104J	CHIP R 100K J 1/10W	
R36			RK73FB2B4R7J	CHIP R 4.7 J 1/8W	
R37			RK73GB2A103J	CHIP R 10K J 1/10W	
R40			RK73GB2A274J	CHIP R 270K J 1/10W	
R41			RK73GB2A103J	CHIP R 10K J 1/10W	
R42			RK73GB2A101J	CHIP R 100 J 1/10W	
R43			RK73GB2A393J	CHIP R 39K J 1/10W	
R44,45			RK73GB2A302J	CHIP R 3.0K J 1/10W	
R48			RK73GB2A472J	CHIP R 4.7K J 1/10W	
R50			RK73GB2A101J	CHIP R 100 J 1/10W	
R51			RK73GB2A392J	CHIP R 3.9K J 1/10W	
R52			RK73GB2A163J	CHIP R 16K J 1/10W	
R53			RK73GB2A123J	CHIP R 12K J 1/10W	
R54			RK73GB2A333J	CHIP R 33K J 1/10W	
R55			RK73GB2A103J	CHIP R 10K J 1/10W	
R56			RK73GB2A123J	CHIP R 12K J 1/10W	
R57,58			RK73GB2A133J	CHIP R 13K J 1/10W	
R59			RK73GB2A472J	CHIP R 4.7K J 1/10W	
R60			RK73GB2A123J	CHIP R 12K J 1/10W	
R61			RK73GB2A183J	CHIP R 18K J 1/10W	
R62			RK73GB2A432J	CHIP R 4.3K J 1/10W	
R63			RK73GB2A133J	CHIP R 13K J 1/10W	
R64			RK73GB2A151J	CHIP R 150 J 1/10W	
R65			RK73GB2A152J	CHIP R 1.5K J 1/10W	
R67,68			RK73GB2A152J	CHIP R 1.5K J 1/10W	
R69			RK73GB2A682J	CHIP R 6.8K J 1/10W	
R70			RK73GB2A102J	CHIP R 1.0K J 1/10W	
R71-73			RK73GB2A101J	CHIP R 100 J 1/10W	
R108-110			RK73GH2A392D	CHIP R 3.9K D 1/10W	
R111,112			RK73GH2A562D	CHIP R 5.6K D 1/10W	
R113			RK73GH2A392D	CHIP R 3.9K D 1/10W	
R114			RK73GH2A562D	CHIP R 5.6K D 1/10W	
R115			RK73GH2A392D	CHIP R 3.9K D 1/10W	
R116			RK73GH2A562D	CHIP R 5.6K D 1/10W	
R117			RK73GH2A392D	CHIP R 3.9K D 1/10W	
R118,119			RK73GH2A100D	CHIP R 10 D 1/10W	
R120,121			RK73GH2A392D	CHIP R 3.9K D 1/10W	
R122			RK73GH2A202D	CHIP R 2.0K D 1/10W	
R123			RK73GH2A102D	CHIP R 1.0K D 1/10W	
R124			RK73GB2A680J	CHIP R 68 J 1/10W	
R128,129			RK73GB2A101J	CHIP R 100 J 1/10W	

Ref. No.	Add	New	Parts No.	Description	Destination
R130			RK73GB2A221J	CHIP R 220 J 1/10W	
R132			RK73GB2A102J	CHIP R 1.0K J 1/10W	
R133			RK73GB2A561J	CHIP R 560 J 1/10W	
R134			RK73GH2A202D	CHIP R 2.0K D 1/10W	
R135			RK73GH2A102D	CHIP R 1.0K D 1/10W	
R137			RK73GB2A680J	CHIP R 68 J 1/10W	
R138			RK73GB2A471J	CHIP R 470 J 1/10W	
R139-141			RK73GH2A111D	CHIP R 110 D 1/10W	
R142			RK73GB2A6R8J	CHIP R 6.8 J 1/10W	
R144			RK73GB2A222J	CHIP R 2.2K J 1/10W	
R145			RK73GB2A102J	CHIP R 1.0K J 1/10W	
R146			RK73GB2A332J	CHIP R 3.3K J 1/10W	
R147,148			RK73GB2A103J	CHIP R 10K J 1/10W	
R150			RK73GB2A103J	CHIP R 10K J 1/10W	
R151			RK73GB2A102J	CHIP R 1.0K J 1/10W	
R152			RK73GB2A221J	CHIP R 220 J 1/10W	
R153-155			RK73GB2A330J	CHIP R 33 J 1/10W	
S1,2			S68-0863-05	PUSH SWITCH	
S3			S68-0862-05	PUSH SWITCH	
D2			DA204U	DIODE	
D3			DAN202U	DIODE	
D4,5			MAZS0510L	ZENER DIODE	
D6			DAN202U	DIODE	
IC1			91CU27UG5UR8	MICROCONTROLLER IC	
IC2			UPD63712GC	MOS-IC	
IC4			BA5824FP	ANALOGUE IC	
IC5			NJM2886DL2-33	ANALOGUE IC	
IC13			NJM4580V-ZB	ANALOGUE IC	
IC14			TAR5S50-F	ANALOGUE IC	
IC15			CS7410-IQZ	MOS-IC	
IC16			HY57V1616TP7I	DRAM IC	
IC17			W400DB55N6E3U9	ROM IC	
IC18			PCM1793DB	MOS-IC	
IC19			S-1112B33MCG	ANALOGUE IC	
IC20			XC6219B182PR	ANALOGUE IC	
IC21			XC6219B332PR	ANALOGUE IC	
Q1			2SK3018	FET	
Q3			UMD9N	TRANSISTOR	
Q4			2SK3018	FET	
Q5			UMD9N	TRANSISTOR	
Q6			UMD12N	TRANSISTOR	
Q7			DTC124EUA	DIGITAL TRANSISTOR	
Q8			2SB0970 (R)	TRANSISTOR	
Q9,10			DTC114YUA	DIGITAL TRANSISTOR	
Q11		*	2SK210-F (GR)	FET	
Q12			DTA143XUA	DIGITAL TRANSISTOR	
Q13			DTC143XUA	DIGITAL TRANSISTOR	
Q14			DTC114YUA	DIGITAL TRANSISTOR	
Q15			2SB0970 (R)	TRANSISTOR	
ELECTRIC UNIT (X34-3730-12/4242-7x)					
D451			B30-1567-05	LED (1608,RED)	
C1			C90-6744-05	ELECTRO 3900UF 16WV	E1E2
C1		*	C90-6784-05	ELECTRO 3900UF 16WV	K

E1 : KDC-W8534 E2 : KDC-W8534Y (Europe)
K : KDC-X790 (North America)

△ Indicates safety critical components.

PARTS LIST

ELECTRIC UNIT (X34-3730-12/4242-7x)

Ref. No.	A d d	N e w	Parts No.	Description	Desti- nation
C10			CK73FB1C105K	CHIP C 1.0UF K	
C11			CD04AY1A221M	ELECTRO 220UF 10WV	
C20			CD04BA0J101M	ELECTRO 100UF 6.3WV	
C21			C90-5692-05	ELECTRO 220UF 16WV	
C22			CK73GB1H103K	CHIP C 0.010UF K	
C23			CE32CL1C100M	CHIP EL 10UF 16WV	
C30			CK73GB1A474K	CHIP C 0.47UF K	
C31			CD04AY1A101M	ELECTRO 100UF 10WV	
C32			CK73GB1A474K	CHIP C 0.47UF K	
C33			CE32BJ1C101M	CHIP EL 100UF 16WV	
C40			CK73GB1H103K	CHIP C 0.010UF K	
C41			CD04BA0J470M	ELECTRO 47UF 6.3WV	
C42,43			CK73GB1H104K	CHIP C 0.10UF K	
C50			CK73GB1H104K	CHIP C 0.10UF K	
C51			CD04AS1C470M	ELECTRO 47UF 16WV	
C60			CK73FB1E474K	CHIP C 0.47UF K	
C61			CK73GB1A105K	CHIP C 1.0UF K	
C63			CK73FB0J106K	CHIP C 10UF K	
C64			CK73GB1H103K	CHIP C 0.010UF K	
C67			CK73GB1H103K	CHIP C 0.010UF K	
C68			CK73GB1H104K	CHIP C 0.10UF K	
C69			CK73FB0J106K	CHIP C 10UF K	
C71			CK73GB1H104K	CHIP C 0.10UF K	
C72			CK73GB1H683K	CHIP C 0.068UF K	
C73			CK73EB1C106K	CHIP C 10UF K	
C74			CD04BK1E101M	ELECTRO 100UF 25WV	
C75			CD04BF1E101M	ELECTRO 100UF 25WV	
C76			CK73GB1C224K	CHIP C 0.22UF K	
C81			C93-1382-05	CHIP C 1UF K	
C82			C93-1381-05	CHIP C 1UF K	
C84			C93-1381-05	CHIP C 1UF K	
C85			C93-1382-05	CHIP C 1UF K	
C86			CK73EB1E105K	CHIP C 1.0UF K	
C87			CK73GB1H103K	CHIP C 0.010UF K	
C88			CK73GB1C224K	CHIP C 0.22UF K	
C100			CK73GB1H104K	CHIP C 0.10UF K	
C102,103			CC73GCH1H220J	CHIP C 22PF J	
C104-106			CK73GB1H103K	CHIP C 0.010UF K	
C107			CK73GB1H102K	CHIP C 1000PF K	
C109-113			CK73GB1H103K	CHIP C 0.010UF K	
C114			CD04AS0J470M	ELECTRO 47UF 6.3WV	
C200,201			CK73GB1H103K	CHIP C 0.010UF K	
C202			CK73GB1H102K	CHIP C 1000PF K	
C203			CK73GB1H223K	CHIP C 0.022UF K	
C204			CK73GB1H103K	CHIP C 0.010UF K	
C205			CK73FB1C105K	CHIP C 1.0UF K	
C298,299			CK73GB1H104K	CHIP C 0.10UF K	E1E2
C300			CD04AS1C470M	ELECTRO 47UF 16WV	
C301			CD04AT1H010M	ELECTRO 1UF 50WV	
C302			CD04AS1H4R7M	ELECTRO 4.7UF 50WV	
C303,304			CD04AS1H3R3M	ELECTRO 3.3UF 50WV	
C305			CK73FB1C105K	CHIP C 1.0UF K	
C306			CK73GB1H103K	CHIP C 0.010UF K	
C307			CE32CL1C100M	CHIP EL 10UF 16WV	
C308,309			CD04AS1H2R2M	ELECTRO 2.2UF 50WV	

Ref. No.	A d d	N e w	Parts No.	Description	Desti- nation
C310,311			CK73FB1E474K	CHIP C 0.47UF K	
C312			CK73GB1H152K	CHIP C 1500PF K	E1E2
C313			CK73GB1H103K	CHIP C 0.010UF K	E1E2
C314			CD04AS1C220M	ELECTRO 22UF 16WV	E1E2
C315			CK73GB1H152K	CHIP C 1500PF K	E1E2
C316			CK73GB1H103K	CHIP C 0.010UF K	E1E2
C317			CD04AS1C220M	ELECTRO 22UF 16WV	E1E2
C318,319			CK73GB1H104K	CHIP C 0.10UF K	E1E2
C320			CE32CL1C100M	CHIP EL 10UF 16WV	E1E2
C321-323			CK73GB1H104K	CHIP C 0.10UF K	E1E2
C324,325			CC73GCH1H060D	CHIP C 6.0PF D	E1E2
C326			CK73GB1H103K	CHIP C 0.010UF K	E1E2
C327-334			CD04AS1V100M	ELECTRO 10UF 35WV	E1E2
C335-340			CK73GB1H102K	CHIP C 1000PF K	E1E2
C341-346			CC73GCH1H821J	CHIP C 820PF J	E1E2
C347-350			CC73GCH1H221J	CHIP C 220PF J	E1E2
C351-354			CC73GCH1H181J	CHIP C 180PF J	E1E2
C355-360			CD04AT1C100M	ELECTRO 10UF 16WV	E1E2
C361-363			CK73GB1H103K	CHIP C 0.010UF K	E1E2
C364,365			CD04AS1H010M	ELECTRO 1UF 50WV	
C366			CK73GB1H104K	CHIP C 0.10UF K	E1E2
C367			CE32CL1C100M	CHIP EL 10UF 16WV	E1E2
C368			CK73GB1H682K	CHIP C 6800PF K	E1E2
C369			CK73FB1C105K	CHIP C 1.0UF K	
C370			CK73GB1H104K	CHIP C 0.10UF K	E1E2
C371			CK73GB1A105K	CHIP C 1.0UF K	E1E2
C374			CK73GB1H104K	CHIP C 0.10UF K	E1E2
C375			CK73GB1H103K	CHIP C 0.010UF K	E1E2
C376			CK73GB1H104K	CHIP C 0.10UF K	E1E2
C377			CK73GB1A105K	CHIP C 1.0UF K	E1E2
C378			CK73GB1H473K	CHIP C 0.047UF K	E1E2
C379			CK73GB1H104K	CHIP C 0.10UF K	E1E2
C380			CK73GB1A105K	CHIP C 1.0UF K	E1E2
C381			CK73GB1H473K	CHIP C 0.047UF K	E1E2
C382			CK73GB1H104K	CHIP C 0.10UF K	E1E2
C383			CK73GB1A105K	CHIP C 1.0UF K	E1E2
C384			CK73FB1C105K	CHIP C 1.0UF K	
C385,386			CK73GB1H152K	CHIP C 1500PF K	
C387-392			CC73GCH1H101J	CHIP C 100PF J	E1E2
C387,388			CC73GCH1H101J	CHIP C 100PF J	K
C393-395			CE32CL1C100M	CHIP EL 10UF 16WV	E1E2
C396,397			CC73GCH1H101J	CHIP C 100PF J	E1E2
C398,399			CK73GB1H104K	CHIP C 0.10UF K	E1E2
C402			CK73GB1H103K	CHIP C 0.010UF K	
C403			CK73FB1A225K	CHIP C 2.2UF K	
C404			CC73GCH1H331J	CHIP C 330PF J	
C405			CD04AT1C100M	ELECTRO 10UF 16WV	
C407			CK73GB1H103K	CHIP C 0.010UF K	
C409,410			CK73GB1H103K	CHIP C 0.010UF K	
C412			CK73GB1H103K	CHIP C 0.010UF K	
C414,415			CC73GCH1H120J	CHIP C 12PF J	
C416			CK73GB1H102K	CHIP C 1000PF K	E1E2
C450-452			CK73GB1H104K	CHIP C 0.10UF K	E1E2
C450-455			CK73GB1H104K	CHIP C 0.10UF K	K
C458			CK73GB1A105K	CHIP C 1.0UF K	K

E1 : KDC-W8534 E2 : KDC-W8534Y (Europe)
K : KDC-X790 (North America)

△ Indicates safety critical components.

PARTS LIST

ELECTRIC UNIT (X34-3730-12/4242-7x)

Ref. No.	Add	New	Parts No.	Description	Destination	Ref. No.	Add	New	Parts No.	Description	Destination
C459			CK73GB1H102K	CHIP C 1000PF K	E1E2	CN450			E41-2259-05	PIN ASSY	
C550,551			CK73GB1H103K	CHIP C 0.010UF K		CN500			E41-2344-05	FLAT CABLE CONNECTOR	
C600,601			CK73EB1E225K	CHIP C 2.2UF K		CN550			E41-2352-05	FLAT CABLE CONNECTOR	
C602			CK73GB1H103K	CHIP C 0.010UF K		CN600			E41-2555-05	PIN ASSY	
C603			CK73GB1H223K	CHIP C 0.022UF K	△	J1			E58-0991-05	RECTANGULAR RECEPTACLE	
C604			CD04AS1C220M	ELECTRO 22UF 16WV		J2			E56-0855-05	CYLINDRICAL RECEPTACLE	
C605-608			CK73EB1E225K	CHIP C 2.2UF K		W400	1D		E30-6438-05	CORD WITH PLUG	
C609			CD04BF1E101M	ELECTRO 100UF 25WV		L1			L33-1988-05	CHOKE COIL ASSY	
C610			CD04AS1C220M	ELECTRO 22UF 16WV		L60			L33-2229-05	SMALL FIXED INDUCTOR	
C611			CE32CL1C100M	CHIP EL 10UF 16WV		L61			L33-2230-05	SMALL FIXED INDUCTOR	
C612,613			CD04AT1C100M	ELECTRO 10UF 16WV		L81			L33-2228-05	SMALL FIXED INDUCTOR	
C614,615			CE32CL1C100M	CHIP EL 10UF 16WV		L100			L92-0075-05	CHIP FERRITE	
C616,617			CD04AT1C100M	ELECTRO 10UF 16WV		L101			L41-4795-33	SMALL FIXED INDUCTOR (4.7U)	
C618,619			CE32CL1C100M	CHIP EL 10UF 16WV		L400			L33-2260-05	CHOKE COIL	
C620,621			CD04AS1V100M	ELECTRO 10UF 35WV		L401			L41-4795-33	SMALL FIXED INDUCTOR (4.7U)	
C622			CE32CL1C100M	CHIP EL 10UF 16WV		L403			L41-4795-33	SMALL FIXED INDUCTOR (4.7U)	
C623-628			CK73GB1H102K	CHIP C 1000PF K		L405			L41-4795-33	SMALL FIXED INDUCTOR (4.7U)	
C629			CK73FB1E474K	CHIP C 0.47UF K		L600			L41-2205-33	SMALL FIXED INDUCTOR (22U)	
C630			CD04AT0J470M	ELECTRO 47UF 6.3WV		X100			L78-0872-05	RESONATOR (12MHZ)	
C631			CK73FB1E474K	CHIP C 0.47UF K		X101			L77-2880-05	CRYSTAL RESONATOR	
C632			CK73GB1H103K	CHIP C 0.010UF K		X300			L77-2857-05	CRYSTAL RESONATOR (11.2896MHZ)	E1E2
C633,634			CE32CL1C100M	CHIP EL 10UF 16WV		X401			L77-2002-05	CRYSTAL RESONATOR	
C635-638			CK73GB1A105K	CHIP C 1.0UF K		Q	2D		N83-3005-48	PAN HEAD TAPTITE SCREW	
C701			CK73FB1E474K	CHIP C 0.47UF K		T	2D		N80-3010-48	PAN HEAD TAPTITE SCREW	
C702			CD04AS0J470M	ELECTRO 47UF 6.3WV		V	2D		N83-3020-48	PAN HEAD TAPTITE SCREW	
C703			CK73FB1E474K	CHIP C 0.47UF K		CP100			RK74GB1J101J	CHIP-COM 100 J 1/16W	
C704			CK73GB1H103K	CHIP C 0.010UF K		CP101-103			RK74GA1J101J	CHIP-COM 100 J 1/16W	K
C750			CK73FB1C105K	CHIP C 1.0UF K		CP101,102			RK74GA1J101J	CHIP-COM 100 J 1/16W	E1E2
C752-755			C90-5700-05	NP-ELEC 4.7UF 16WV		CP104			RK74GA1J102J	CHIP-COM 1.0K J 1/16W	
C756			CD04BA1C101M	ELECTRO 100UF 16WV		CP105			RK74GB1J101J	CHIP-COM 100 J 1/16W	E1E2
C757			C90-6742-05	NP-ELECT 4.7UF 16WV		CP106			RK74GA1J103J	CHIP-COM 10K J 1/16W	
C758			CK73GB1H103K	CHIP C 0.010UF K		CP107			RK74GB1J102J	CHIP-COM 1.0K J 1/16W	
C759			CK73FB1C105K	CHIP C 1.0UF K		CP108			RK74GA1J222J	CHIP-COM 2.2K J 1/16W	
C769,770			CK73GB1H103K	CHIP C 0.010UF K	E1E2	CP109			RK74GB1J101J	CHIP-COM 100 J 1/16W	
C800-802			CD04AS1V100M	ELECTRO 10UF 35WV		CP110,111			RK74GA1J101J	CHIP-COM 100 J 1/16W	
C803			CK73GB1H104K	CHIP C 0.10UF K		CP300			RK74GB1J101J	CHIP-COM 100 J 1/16W	E1E2
C804			CK73GB1H103K	CHIP C 0.010UF K		R1			RK73EB2E102J	CHIP R 1.0K J 1/4W	
C805			CD04AS1C470M	ELECTRO 47UF 16WV		R2,3			RK73EB2E103J	CHIP R 10K J 1/4W	
C806			CK73GB1H102K	CHIP C 1000PF K	E1E2	R10			RK73GH2A243D	CHIP R 24K D 1/10W	
C806,807			CK73GB1H102K	CHIP C 1000PF K	K	R11			RK73FB2B221J	CHIP R 220 J 1/8W	
C808			CD04BA1C101M	ELECTRO 100UF 16WV		R12			RK73GB2A153J	CHIP R 15K J 1/10W	
C809			CC73GCH1H101J	CHIP C 100PF J		R13			RK73GH2A432D	CHIP R 4.3K D 1/10W	
C812			CC73GCH1H471J	CHIP C 470PF J		R20			RK73FB2B203J	CHIP R 20K J 1/8W	
C813			CC73GCH1H101J	CHIP C 100PF J		R21			RK73GB2A223J	CHIP R 22K J 1/10W	
C900-902			CK73GB1H103K	CHIP C 0.010UF K	E1E2	R22			RK73GB2A101J	CHIP R 100 J 1/10W	
C903			CK73GB1H102K	CHIP C 1000PF K	E1E2	R23			RK73FB2B272J	CHIP R 2.7K J 1/8W	
C904			CK73GB1H103K	CHIP C 0.010UF K	E1E2	R30			RK73FB2B102J	CHIP R 1.0K J 1/8W	
C905-908			CK73GB1A105K	CHIP C 1.0UF K	E1E2	R31			RK73FB2B152J	CHIP R 1.5K J 1/8W	
C910			CK73GB1A105K	CHIP C 1.0UF K	E1E2	R40			RK73FB2B223J	CHIP R 22K J 1/8W	
C911-915			CK73GB1H103K	CHIP C 0.010UF K	E1E2	R41			RK73FB2B182J	CHIP R 1.8K J 1/8W	
C916			CK73GB1H104K	CHIP C 0.10UF K	E1E2	R42			RK73GB2A105J	CHIP R 1.0M J 1/10W	
C917			CK73GB1A105K	CHIP C 1.0UF K	E1E2	R43			RK73GB2A472J	CHIP R 4.7K J 1/10W	
C931,932			CK73GB1H103K	CHIP C 0.010UF K	E1E2	R46			RK73SB3A2R2J	CHIP R 2.2 J 1W	
CN5			E41-0944-05	PIN ASSY		R50			RK73FB2B152J	CHIP R 1.5K J 1/8W	

E1 : KDC-W8534 E2 : KDC-W8534Y (Europe)
K : KDC-X790 (North America)

△ Indicates safety critical components.

PARTS LIST

ELECTRIC UNIT (X34-3730-12/4242-7x)

Ref. No.	A d	N e w	Parts No.	Description	Desti- nation	Ref. No.	A d	N e w	Parts No.	Description	Desti- nation
R52			RK73FB2B102J	CHIP R 1.0K J 1/8W		R144,145			RK73GB2A101J	CHIP R 100 J 1/10W	
R60			RK73GH2A103D	CHIP R 10K D 1/10W		R146			RK73GB2A333J	CHIP R 33K J 1/10W	
R61			RN73GH1J153D	CHIP R 15K D 1/16W		R147			RK73GB2A102J	CHIP R 1.0K J 1/10W	
R62			RK73GB2A103J	CHIP R 10K J 1/10W		R148			RK73GB2A473J	CHIP R 47K J 1/10W	
R63,64			RK73GH2A103D	CHIP R 10K D 1/10W		R149,150			RK73GB2A223J	CHIP R 22K J 1/10W	
R66			RK73GB2A104J	CHIP R 100K J 1/10W		R153,154			RK73GB2A223J	CHIP R 22K J 1/10W	K
R67			RK73GH2A273D	CHIP R 27K D 1/10W		R154-157			RK73GB2A223J	CHIP R 22K J 1/10W	E1
R68			RN73GH1J243D	CHIP R 24K D 1/16W		R154,155			RK73GB2A223J	CHIP R 22K J 1/10W	E2
R69			RK73GB2A104J	CHIP R 100K J 1/10W		R156			RK73GB2A223J	CHIP R 22K J 1/10W	K
R70			RK73GH2A303D	CHIP R 30K D 1/10W		R157			RK73GB2A223J	CHIP R 22K J 1/10W	E2
R71			RN73GH1J1912D	CHIP R 19.1K D 1/16W		R159			RK73GB2A223J	CHIP R 22K J 1/10W	K
R73			RK73GB2A103J	CHIP R 10K J 1/10W		R160			RK73GB2A223J	CHIP R 22K J 1/10W	E2
R74			RK73GH2A822D	CHIP R 8.2K D 1/10W		R163			RK73GB2A104J	CHIP R 100K J 1/10W	
R75			RK73GB2A105J	CHIP R 1.0M J 1/10W		R164			RK73GB2A223J	CHIP R 22K J 1/10W	
R76,77			RK73GB2A104J	CHIP R 100K J 1/10W		R165,166			RK73GB2A222J	CHIP R 2.2K J 1/10W	
R78			RS14DB3AR47J	FL-PROOF RS 0.47 J 1W		R168			RK73GB2A222J	CHIP R 2.2K J 1/10W	
R79			RK73GB2A102J	CHIP R 1.0K J 1/10W		R170-173			RK73GB2A223J	CHIP R 22K J 1/10W	E1E2
R80			RK73GH2A434D	CHIP R 430K D 1/10W		R171-173			RK73GB2A223J	CHIP R 22K J 1/10W	K
R81			RK73GB2A473J	CHIP R 47K J 1/10W		R176			RK73GB2A104J	CHIP R 100K J 1/10W	
R82			RK73GH2A103D	CHIP R 10K D 1/10W		R177			RK73GB2A223J	CHIP R 22K J 1/10W	
R83			RK73GB2A104J	CHIP R 100K J 1/10W		R178			RK73GB2A473J	CHIP R 47K J 1/10W	
R84			RK73GH2A153D	CHIP R 15K D 1/10W		R181			RK73GB2A473J	CHIP R 47K J 1/10W	
R85			RK73PB2H102J	CHIP R 1.0K J 1/2W		R183			RK73GB2A473J	CHIP R 47K J 1/10W	
R86			RK73GB2A473J	CHIP R 47K J 1/10W		R185			RK73GB2A102J	CHIP R 1.0K J 1/10W	
R91,92			RK73GB2A104J	CHIP R 100K J 1/10W		R187			RK73GB2A473J	CHIP R 47K J 1/10W	
R93			RK73FB2B431J	CHIP R 430 J 1/8W		R200			RK73EB2E473J	CHIP R 47K J 1/4W	
R100-104			RK73GB2A104J	CHIP R 100K J 1/10W		R201			RD14DB2H332J-T	SMALL-RD 3.3K J 1/2W	
R105			RK73GB2A101J	CHIP R 100 J 1/10W		R202			RK73GB2A183J	CHIP R 18K J 1/10W	
R106			RK73GB2A222J	CHIP R 2.2K J 1/10W		R203			RK73GB2A104J	CHIP R 100K J 1/10W	
R107			RK73GB2A473J	CHIP R 47K J 1/10W		R204			RK73GB2A393J	CHIP R 39K J 1/10W	
R109			RK73GB2A223J	CHIP R 22K J 1/10W	E1E2	R205			RK73GB2A103J	CHIP R 10K J 1/10W	
R110			RK73GB2A103J	CHIP R 10K J 1/10W		R209			RK73FB2B683J	CHIP R 68K J 1/8W	
R111			RK73GB2A104J	CHIP R 100K J 1/10W		R210			RK73FB2B203J	CHIP R 20K J 1/8W	
R112			RK73GB2A473J	CHIP R 47K J 1/10W		R211			RK73GB2A103J	CHIP R 10K J 1/10W	
R113			RK73GB2A103J	CHIP R 10K J 1/10W		R212			RK73GB2A473J	CHIP R 47K J 1/10W	
R114			RK73GB2A473J	CHIP R 47K J 1/10W		R213,214			RK73GB2A104J	CHIP R 100K J 1/10W	
R115			RK73GB2A101J	CHIP R 100 J 1/10W		R215			RK73FB2B561J	CHIP R 560 J 1/8W	
R117			RK73GB2A101J	CHIP R 100 J 1/10W		R216			RK73GB2A223J	CHIP R 22K J 1/10W	K
R119			RK73GB2A223J	CHIP R 22K J 1/10W		R217			RK73SB3A471J	CHIP R 470 J 1W	K
R120			RK73GB2A104J	CHIP R 100K J 1/10W		R218,219			RK73FB2B472J	CHIP R 4.7K J 1/8W	
R121			RK73GB2A103J	CHIP R 10K J 1/10W		R300			RK73EB2E2R2J	CHIP R 2.2 J 1/4W	
R122,123			RK73GB2A101J	CHIP R 100 J 1/10W		R301			RK73GB2A103J	CHIP R 10K J 1/10W	
R125			RK73GB2A222J	CHIP R 2.2K J 1/10W		R302,303			RK73GB2A471J	CHIP R 470 J 1/10W	E1E2
R126			RK73GB2A101J	CHIP R 100 J 1/10W		R304-307			RK73GB2A241J	CHIP R 240 J 1/10W	E1E2
R127			RK73GB2A103J	CHIP R 10K J 1/10W		R308-311			RK73GB2A103J	CHIP R 10K J 1/10W	E1E2
R128			RK73GB2A222J	CHIP R 2.2K J 1/10W		R312,313			RK73GB2A471J	CHIP R 470 J 1/10W	E1E2
R129			RK73GB2A102J	CHIP R 1.0K J 1/10W		R314-317			RK73GB2A241J	CHIP R 240 J 1/10W	E1E2
R130			RK73GB2A222J	CHIP R 2.2K J 1/10W		R318-321			RK73GB2A103J	CHIP R 10K J 1/10W	E1E2
R131			RK73GB2A473J	CHIP R 47K J 1/10W		R323-330			RK73GB2A221J	CHIP R 220 J 1/10W	E1E2
R132,133			RK73GB2A472J	CHIP R 4.7K J 1/10W		R331			RK73GB2A473J	CHIP R 47K J 1/10W	E1E2
R134			RK73GB2A101J	CHIP R 100 J 1/10W		R335,336			RK73GB2A101J	CHIP R 100 J 1/10W	
R136-138			RK73GB2A104J	CHIP R 100K J 1/10W	E1E2	R342-357			RK73GB2A272J	CHIP R 2.7K J 1/10W	E1E2
R139			RK73GB2A473J	CHIP R 47K J 1/10W		R358-361			RK73GB2A332J	CHIP R 3.3K J 1/10W	E1E2
R140			RK73GB2A104J	CHIP R 100K J 1/10W	E1E2	R362-364			RK73GB2A682J	CHIP R 6.8K J 1/10W	E1E2
R141,142			RK73GB2A473J	CHIP R 47K J 1/10W		R366			RK73GB2A682J	CHIP R 6.8K J 1/10W	E1E2

E1 : KDC-W8534 E2 : KDC-W8534Y (Europe)
K : KDC-X790 (North America)

△ Indicates safety critical components.

PARTS LIST

ELECTRIC UNIT (X34-3730-12/4242-7x)

Ref. No.	Add	New	Parts No.	Description	Destination	Ref. No.	Add	New	Parts No.	Description	Destination
R367-374			RK73GB2A332J	CHIP R 3.3K J 1/10W	E1E2	R624			RK73GB2A103J	CHIP R 10K J 1/10W	
R375-377			RK73GB2A473J	CHIP R 47K J 1/10W	E1E2	R625			RK73GB2A223J	CHIP R 22K J 1/10W	
R378			RK73GB2A101J	CHIP R 100 J 1/10W	E1E2	R626			RK73GB2A103J	CHIP R 10K J 1/10W	
R379			RK73GB2A562J	CHIP R 5.6K J 1/10W	E1E2	R627			RK73GB2A223J	CHIP R 22K J 1/10W	
R381			RK73GB2A473J	CHIP R 47K J 1/10W	E1E2	R628			RK73GB2A820J	CHIP R 82 J 1/10W	
R382,383			RK73GB2A102J	CHIP R 1.0K J 1/10W		R629			RK73GB2A123J	CHIP R 12K J 1/10W	
R384-389			RK73GB2A101J	CHIP R 100 J 1/10W	E1E2	R630,631			RK73GB2A361J	CHIP R 360 J 1/10W	
R390			RK73FB2B100J	CHIP R 10 J 1/8W	E1E2	R632			RK73GB2A820J	CHIP R 82 J 1/10W	
R391,392			RK73GB2A473J	CHIP R 47K J 1/10W	E1E2	R633			RK73GB2A123J	CHIP R 12K J 1/10W	
R393			RK73GB2A101J	CHIP R 100 J 1/10W	E1E2	R634			RK73GB2A103J	CHIP R 10K J 1/10W	
R394-396			RK73FB2B100J	CHIP R 10 J 1/8W	E1E2	R635			RK73GB2A223J	CHIP R 22K J 1/10W	
R397			RK73GB2A103J	CHIP R 10K J 1/10W	E1E2	R636			RK73GB2A103J	CHIP R 10K J 1/10W	
R398			RK73GB2A473J	CHIP R 47K J 1/10W	E1E2	R637			RK73GB2A223J	CHIP R 22K J 1/10W	
R404			RK73GB2A223J	CHIP R 22K J 1/10W		R638			RK73GB2A820J	CHIP R 82 J 1/10W	
R405,406			RK73GB2A471J	CHIP R 470 J 1/10W		R639			RK73GB2A123J	CHIP R 12K J 1/10W	
R407,408			RK73GB2A472J	CHIP R 4.7K J 1/10W		R640			RK73GB2A361J	CHIP R 360 J 1/10W	
R409			RK73FB2B102J	CHIP R 1.0K J 1/8W		R641			RK73EB2E100J	CHIP R 10 J 1/4W	
R410-412			RK73GB2A222J	CHIP R 2.2K J 1/10W		R642			RK73EB2E4R7J	CHIP R 4.7 J 1/4W	
R450,451			RK73GB2A102J	CHIP R 1.0K J 1/10W		R643			RK73EB2E100J	CHIP R 10 J 1/4W	
R452			RK73GB2A241J	CHIP R 240 J 1/10W		R644			RK73GB2A102J	CHIP R 1.0K J 1/10W	
R453,454			RK73GB2A102J	CHIP R 1.0K J 1/10W	K	R655-660			RK73GB2A104J	CHIP R 100K J 1/10W	
R457			RK73GH2A241D	CHIP R 240 D 1/10W	K	R700			RK73EB2E472J	CHIP R 4.7K J 1/4W	
R458			RK73GH2A111D	CHIP R 110 D 1/10W	K	R701			RK73EB2E101J	CHIP R 100 J 1/4W	
R501			RK73EB2E101J	CHIP R 100 J 1/4W		R702			RK73EB2E472J	CHIP R 4.7K J 1/4W	
R510,511			RK73EB2E101J	CHIP R 100 J 1/4W		R703-707			RK73EB2E101J	CHIP R 100 J 1/4W	
R514			RK73EB2E101J	CHIP R 100 J 1/4W		R708			RK73EB2E100J	CHIP R 10 J 1/4W	
R515			RK73EB2E102J	CHIP R 1.0K J 1/4W		R709			RK73EB2E4R7J	CHIP R 4.7 J 1/4W	
R516			RK73EB2E472J	CHIP R 4.7K J 1/4W		R710			RK73EB2E100J	CHIP R 10 J 1/4W	
R517			RK73EB2E102J	CHIP R 1.0K J 1/4W		R711			RK73GB2A102J	CHIP R 1.0K J 1/10W	
R550			RK73GB2A222J	CHIP R 2.2K J 1/10W		R712			RK73EB2E102J	CHIP R 1.0K J 1/4W	
R551			RK73GB2A471J	CHIP R 470 J 1/10W		R713-715			RK73EB2E471J	CHIP R 470 J 1/4W	
R552,553			RK73GB2A104J	CHIP R 100K J 1/10W		R750			RK73GB2A683J	CHIP R 68K J 1/10W	
R554			RK73GB2A471J	CHIP R 470 J 1/10W		R752			RK73GB2A102J	CHIP R 1.0K J 1/10W	
R600,601			RK73GB2A913J	CHIP R 91K J 1/10W		R755-758			RK73GB2A471J	CHIP R 470 J 1/10W	
R602			RK73GB2A103J	CHIP R 10K J 1/10W		R759-762			RK73GB2A103J	CHIP R 10K J 1/10W	
R603			RK73GB2A470J	CHIP R 47 J 1/10W		R763			RK73GB2A100J	CHIP R 10 J 1/10W	
R604			RK73GB2A274J	CHIP R 270K J 1/10W		R764			RK73GB2A103J	CHIP R 10K J 1/10W	
R605			RK73GB2A563J	CHIP R 56K J 1/10W		R765			RK73GB2A432J	CHIP R 4.3K J 1/10W	
R606			RK73GB2A752J	CHIP R 7.5K J 1/10W		R766			RK73GB2A431J	CHIP R 430 J 1/10W	
R607			RK73GB2A470J	CHIP R 47 J 1/10W		R767			RK73GB2A390J	CHIP R 39 J 1/10W	
R608			RK73GB2A272J	CHIP R 2.7K J 1/10W		R768			RK73GB2A223J	CHIP R 22K J 1/10W	
R609			RK73GB2A750J	CHIP R 75 J 1/10W		R770			RK73GB2A133J	CHIP R 13K J 1/10W	
R610			RK73GB2A182J	CHIP R 1.8K J 1/10W		R771			RK73GB2A223J	CHIP R 22K J 1/10W	
R611			RK73GB2A361J	CHIP R 360 J 1/10W		R772			RK73GB2A221J	CHIP R 220 J 1/10W	
R612			RK73GB2A820J	CHIP R 82 J 1/10W		R800			RK73GB2A391J	CHIP R 390 J 1/10W	
R613			RK73GB2A123J	CHIP R 12K J 1/10W		R801			RK73GB2A242J	CHIP R 2.4K J 1/10W	
R614			RK73GB2A103J	CHIP R 10K J 1/10W		R803			RK73GH2A512D	CHIP R 5.1K D 1/10W	
R615			RK73GB2A223J	CHIP R 22K J 1/10W		R804			RK73GH2A472D	CHIP R 4.7K D 1/10W	
R616			RK73GB2A103J	CHIP R 10K J 1/10W		R805,806			RK73GB2A102J	CHIP R 1.0K J 1/10W	
R617			RK73GB2A223J	CHIP R 22K J 1/10W		R807			RK73GB2A103J	CHIP R 10K J 1/10W	
R618			RK73GB2A820J	CHIP R 82 J 1/10W		R808			RK73GB2A113J	CHIP R 11K J 1/10W	
R619			RK73GB2A123J	CHIP R 12K J 1/10W		R809			RK73GB2A101J	CHIP R 100 J 1/10W	
R620,621			RK73GB2A361J	CHIP R 360 J 1/10W		R810			RK73FB2B152J	CHIP R 1.5K J 1/8W	
R622			RK73GB2A820J	CHIP R 82 J 1/10W		R811			RK73GB2A104J	CHIP R 100K J 1/10W	
R623			RK73GB2A123J	CHIP R 12K J 1/10W		R812			RK73FB2B4R7J	CHIP R 4.7 J 1/8W	

E1 : KDC-W8534 E2 : KDC-W8534Y (Europe)
K : KDC-X790 (North America)

△ Indicates safety critical components.

PARTS LIST

ELECTRIC UNIT (X34-3730-12/4242-7x)

Ref. No.	A d d	N e w	Parts No.	Description	Desti- nation
R813			RK73GB2A332J	CHIP R 3.3K J 1/10W	
R814,815			RK73GB2A101J	CHIP R 100 J 1/10W	
R817			RK73GB2A100J	CHIP R 10 J 1/10W	
R818			RK73GB2A8R2J	CHIP R 8.2 J 1/10W	
R819-822			RK73GB2A9R1J	CHIP R 9.1 J 1/10W	
R823			RK73FB2B1R0J	CHIP R 1.0 J 1/8W	
W201			R92-1252-05	CHIP R 0 OHM J 1/16W	E1E2
W401			R92-2053-05	CHIP R 0 OHM J 1/8W	E1E2
W751			R92-1252-05	CHIP R 0 OHM J 1/16W	
W754			R92-1252-05	CHIP R 0 OHM J 1/16W	E1E2
W900-903			R92-1252-05	CHIP R 0 OHM J 1/16W	E1E2
S1,2			S68-0886-05	PUSH SWITCH	
D1			S2V60*A	DIODE	
D20			RB160L-40	DIODE	
D21			UDZS5.6B	ZENER DIODE	
D30			HZU9.1 (B1)-E	ZENER DIODE	
D31			UDZS8.2B	ZENER DIODE	
D40			UDZS5.6B	ZENER DIODE	
D41			02DZ11F-Y	ZENER DIODE	
D50			HZU16 (B1)-E	ZENER DIODE	
D60,61			SFPB-54VNF	DIODE	
D80-82			RB060L-40	DIODE	
D101			DA227	DIODE	E1E2
D102-104			DAP222	DIODE	
D200,201			DAP202U	DIODE	
D202			02DZ6.2F-Y	ZENER DIODE	
D203			UDZS6.8B	ZENER DIODE	
D204			DAP202U	DIODE	
D205			UDZS6.8B	ZENER DIODE	
D206			UDZS4.7B	ZENER DIODE	
D207			02DZ5.6F-Y	ZENER DIODE	
D208,209			1SR154-400	DIODE	
D212,213			1SR154-400	DIODE	
D300			DA204U	DIODE	E1E2
D302,303			UDZS5.6B	ZENER DIODE	
D401			IMSA-6801-E	SURGE ABSORBER	
D500			DA204K	DIODE	
D501			STZ6.2N	ZENER DIODE	
D502			DA204K	DIODE	
D503			STZ6.2N	ZENER DIODE	
D505			DAP202U	DIODE	
D506			STZ6.2N	ZENER DIODE	
D507			DA204K	DIODE	
D600			UDZS5.6B	ZENER DIODE	
D601			UDZS11B	ZENER DIODE	
D608,609			STZ6.8N	ZENER DIODE	
D700-702			STZ6.2N	ZENER DIODE	
D703,704			STZ6.8N	ZENER DIODE	
D705			STZ6.2N	ZENER DIODE	K
D705,706			STZ6.2N	ZENER DIODE	E1E2
D750-753			1SR154-400	DIODE	
D754,755			DAP222	DIODE	
D756-759			1SR154-400	DIODE	

Ref. No.	A d d	N e w	Parts No.	Description	Desti- nation
D800			UDZS6.8B	ZENER DIODE	
D801			DA227	DIODE	
D802			UDZS16B	ZENER DIODE	
IC1			XC6204B332MR	ANALOGUE IC	E1E2
IC3,4			NJM2864F05-ZB	ANALOGUE IC	E1E2
IC5			XC6204B332MR	ANALOGUE IC	E1E2
IC10			M5237ML-CF0J	ANALOGUE IC	
IC60			FA3687V	ANALOGUE IC	
IC80			LT3467A	ANALOGUE IC	
IC100			S-80836CNNB-J	MOS-IC	
IC102			30625MGA78GP	MICROCONTROLLER IC	K
IC102		*	30625MWWPA79GP	MICROCONTROLLER IC	E1E2
IC103			TC7W02FU-F	MOS-IC	
IC104			BR24L04FV-W	ROM IC	
IC200			TPD1018F-F	ANALOGUE IC	
IC300			E-TDA7415	ANALOGUE IC	
IC301,302			RC4580IDR	ANALOGUE IC	E1E2
IC303			AK7730A	MOS-IC	E1E2
IC304			TC74HC4050AFT	MOS-IC	E1E2
IC305			AK4359VF	MOS-IC	E1E2
IC306-308			RC4580IDR	ANALOGUE IC	E1E2
IC400			E-TDA7479AD	ANALOGUE IC	
IC450			LB1930M-E	ANALOGUE IC	
IC451			MMA6261QR2	ANALOGUE IC	K
IC600			ICL7660SIBAZ	ANALOGUE IC	
IC601-603			NJM4565V-ZB	ANALOGUE IC	
IC750			E-TDA7560A	ANALOGUE IC	
IC800			RC4580IDR	ANALOGUE IC	
Q10			2SB1565	TRANSISTOR	
Q11,12			UMC2N	TRANSISTOR	
Q20			2SB1565	TRANSISTOR	
Q21			2SD2351 (W)	TRANSISTOR	
Q22			2SA1577	TRANSISTOR	
Q23			DTC124EUA	DIGITAL TRANSISTOR	
Q30			2SB1565	TRANSISTOR	
Q31			2SB1184	TRANSISTOR	
Q32,33			2SC4081	TRANSISTOR	
Q40			2SB1565	TRANSISTOR	
Q41			2SB1443	TRANSISTOR	
Q42			UMD12N	TRANSISTOR	
Q43			UMC2N	TRANSISTOR	
Q44			2SC4081	TRANSISTOR	
Q45			2SD2351 (W)	TRANSISTOR	
Q50			2SB1449 (R)-E	TRANSISTOR	
Q51			UMC2N	TRANSISTOR	
Q52			2SC4081	TRANSISTOR	
Q60			DTC143TUA	DIGITAL TRANSISTOR	
Q61			UMG2N	TRANSISTOR	
Q62			DTA143TUA	DIGITAL TRANSISTOR	
Q63,64			2SJ484-E	FET	
Q80			2SB1188 (R)	TRANSISTOR	
Q81			2SC4081	TRANSISTOR	
Q91			2SD2351 (W)	TRANSISTOR	
Q100			2SA1576A	TRANSISTOR	
Q101			DTC144EUA	DIGITAL TRANSISTOR	

E1 : KDC-W8534 E2 : KDC-W8534Y (Europe)
K : KDC-X790 (North America)

△ Indicates safety critical components.

PARTS LIST

ELECTRIC UNIT (X34-3730-12/4242-7x)

Ref. No.	Add	New	Parts No.	Description	Destination	Ref. No.	Add	New	Parts No.	Description	Destination
Q200,201			DTA124EUA	DIGITAL TRANSISTOR		32	2B		D13-2172-13	RACK (GEAR)	
Q202			2SC4081	TRANSISTOR		33	2A		D14-0759-04	ROLLER	
Q204,205			2SC4081	TRANSISTOR		35	2B		D21-2382-04	SHAFT	
Q206			DTA123JK	DIGITAL TRANSISTOR		36	1A		D23-0954-04	RETAINER	
Q207			DTC144EUA	DIGITAL TRANSISTOR		37	1B		D39-0246-05	DAMPER	K
Q208			2SB1188 (Q,R)	TRANSISTOR	K	37	1B		D39-0260-05	DAMPER	E1E2
Q209			DTC114YUA	DIGITAL TRANSISTOR	K	47	3B		F09-1804-04	SHEET	E1E2
Q300			DTA114EUA	DIGITAL TRANSISTOR	E1E2	38	2B		G01-3072-04	EXTENSION SPRING	
Q402			2SB1689	TRANSISTOR		39	2A		G01-3073-04	TORSION COIL SPRING	
Q403			DTC124EUA	DIGITAL TRANSISTOR		40	2A		G01-3074-04	EXTENSION SPRING	
Q450			DTC114YUA	DIGITAL TRANSISTOR		41	1B		G01-3075-24	EXTENSION SPRING	
Q600			2SC4617	TRANSISTOR		42	2A		G01-3076-04	EXTENSION SPRING	
Q601			2SA1774	TRANSISTOR		43	1B		G01-3077-14	EXTENSION SPRING	
Q602			2SC4617	TRANSISTOR		44	2B		G02-1399-04	FLAT SPRING	
Q603			2SA1576A	TRANSISTOR		45	2B		G02-1408-04	FLAT SPRING	
Q604			2SC4081	TRANSISTOR		51	1A		J21-9676-32	MOUNTING HARDWARE	
Q605			2SA1576A	TRANSISTOR		52	3B		J21-9677-22	MOUNTING HARDWARE	
Q606			2SC4081	TRANSISTOR		53	1B		J21-9678-13	MOUNTING HARDWARE	
Q607			2SB1443	TRANSISTOR		55	1A		J90-1001-11	GUIDE	
Q608-613			DTC143TUA	DIGITAL TRANSISTOR		56	1B		J90-1023-03	GUIDE	
Q800			DTA124EUA	DIGITAL TRANSISTOR		DFPC1	3A		J84-0141-05	FLEXIBLE PRINTED WIRING BOARD	K
Q801			2SA1774	TRANSISTOR		DFPC1	3A		J86-0027-05	FPC (LEAD FREE)	E1E2
Q802			2SC2873-F	TRANSISTOR		A	2B		N09-4460-15	TAPTITE SCREW (T 2X8)	
TH750			PRF21BE471QB2	POSITIVE RESISTOR		B	1B		N09-4472-15	MACHINE SCREW (M1.7X8.0)	K
A1	2D		X86-3840-11	FRONT-END UNIT	K	B	1B	*	N09-4472-25	MACHINE SCREW (M1.7X8.0)	E1E2
A1	2D		X86-3842-70	FRONT-END UNIT	E1E2	C	2B		N09-6004-05	MACHINE SCREW (M1.7X2.5)	K
CD MECHANISM ASSY (X92-5100-00 : DXM-6800W) K											
(X92-5680-00 : DXM-6804WE) E1E2											
2	1B		A10-4827-32	CHASSIS		C	2B		N09-6004-15	MACHINE SCREW (M1.7X2.5)	E1E2
△ 999		*	B42-8238-04	STICKER		E	2B		N09-6007-15	MACHINE SCREW (M2X2)	
5	1B		D10-4576-83	ARM ASSY	K	F	1A		N09-6051-15	TAPTITE SCREW (P 2X5)	
5	1B		D10-4576-93	ARM ASSY	E1E2	G	2A		N19-2163-04	FLAT WASHER (1.6X6X0.2)	
8	2A		D10-4579-23	LEVER ASSY	K	H	1B		N39-2020-46	PAN HEAD MACHINE SCREW	K
8	2A		D10-4787-63	LEVER ASSY	E1E2	H	1B	*	N39-2020-48	PAN HEAD MACHINE SCREW	E1E2
10	3A		D10-4581-13	ARM		J	1B		N09-6108-15	TAPTITE SCREW (M2X3.5)	
11	2A		D10-4582-13	ARM		K	3B		N09-6155-15	SEMS (TAPTITE SCREW) (T 2X6)	
12	3A		D10-4583-03	ARM		DM1	3B		T42-1066-14	DC MOTOR ASSY (SP)	
13	3A		D10-4584-03	ARM		DM2	2B		T42-1067-14	DC MOTOR ASSY (LO)	
14	3B		D10-4585-03	ARM		DPU1	2B		X93-2010-00	OPTICAL PICKUP ASSY	K
15	2A		D10-4586-13	SLIDER		DPU1	2B		X93-2010-01	OPTICAL PICKUP ASSY	E1E2
16	3B		D10-4587-52	SLIDER							
17	3B		D10-4588-13	SLIDER							
18	3B		D10-4595-04	ARM							
19	3B		D10-4596-24	ARM							
22	2A		D13-2151-04	GEAR							
23	2B		D13-2152-04	GEAR							
24	3B		D13-2153-04	GEAR							
25	3B		D13-2154-04	GEAR							
26	3B		D13-2155-04	WORM							
27	3B		D13-2156-14	GEAR							
28	3B		D13-2157-04	GEAR							
29	3B		D13-2158-04	GEAR							
30	3B		D13-2168-04	GEAR							
31	3B		D13-2171-04	GEAR							

E1 : KDC-W8534 E2 : KDC-W8534Y (Europe)
K : KDC-X790 (North America)

△ Indicates safety critical components.