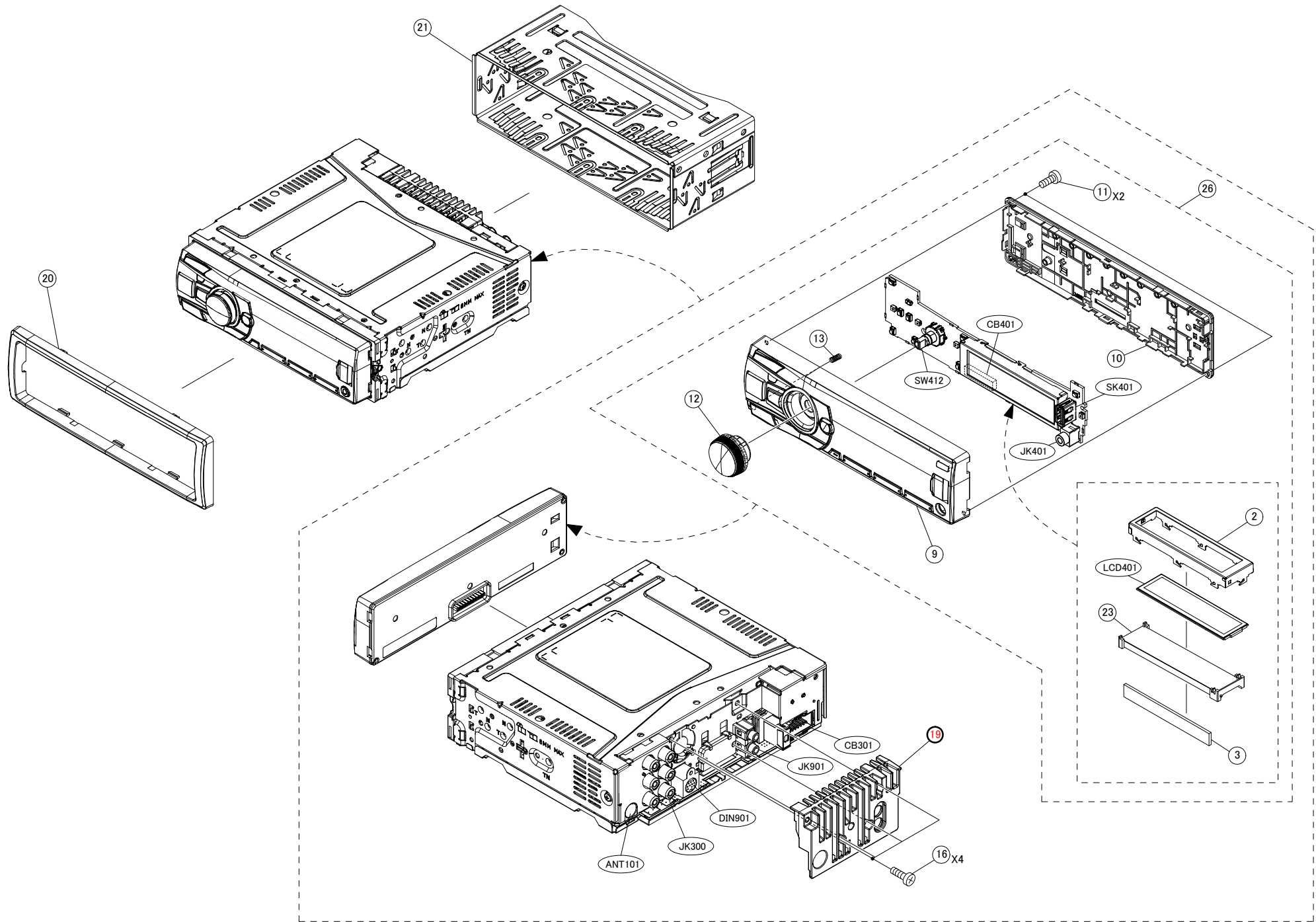
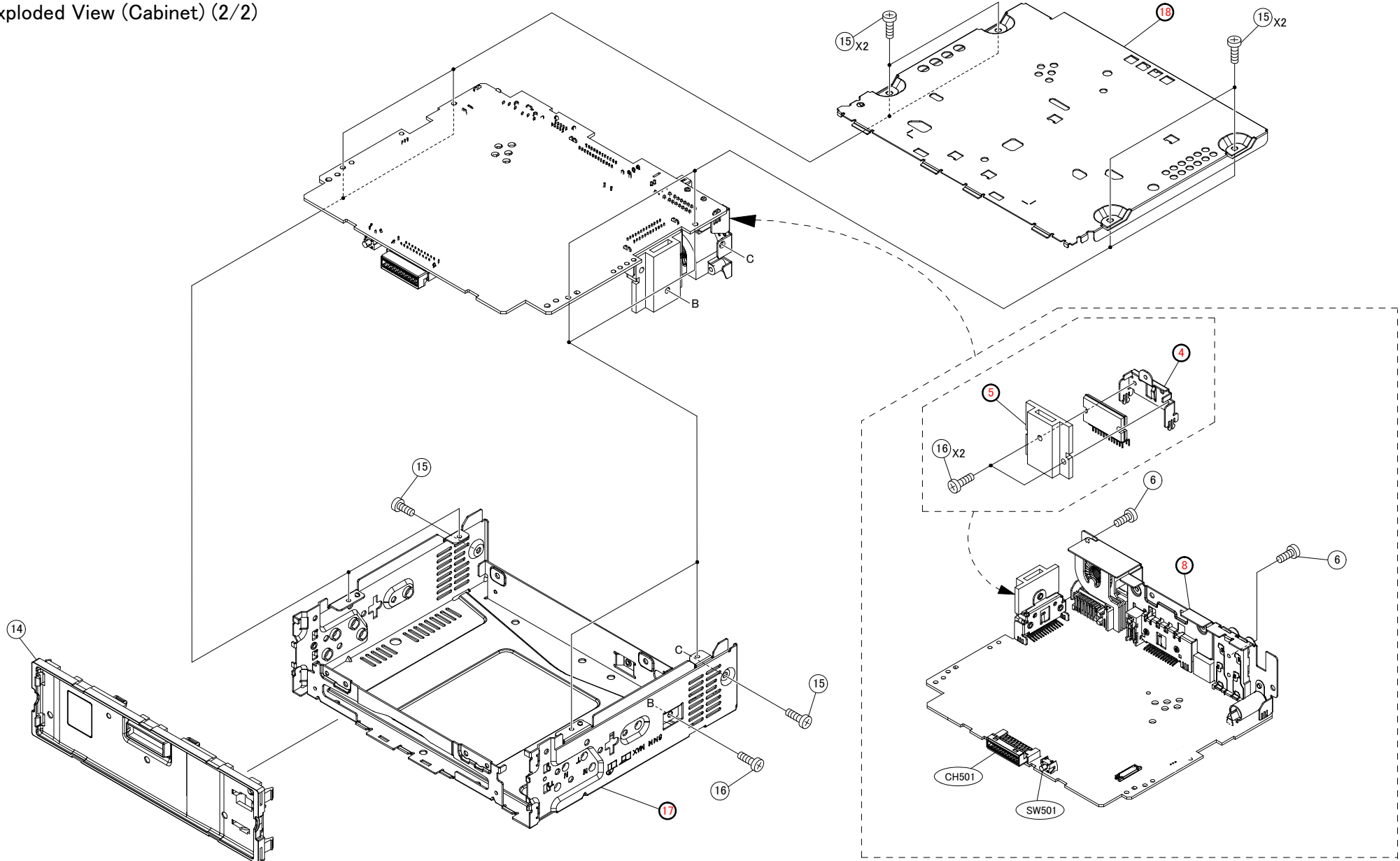


Exploded View (Cabinet) (1/2)



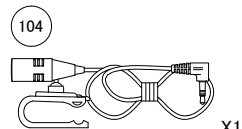
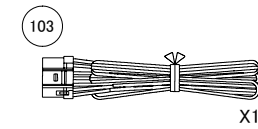
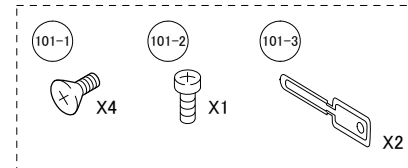
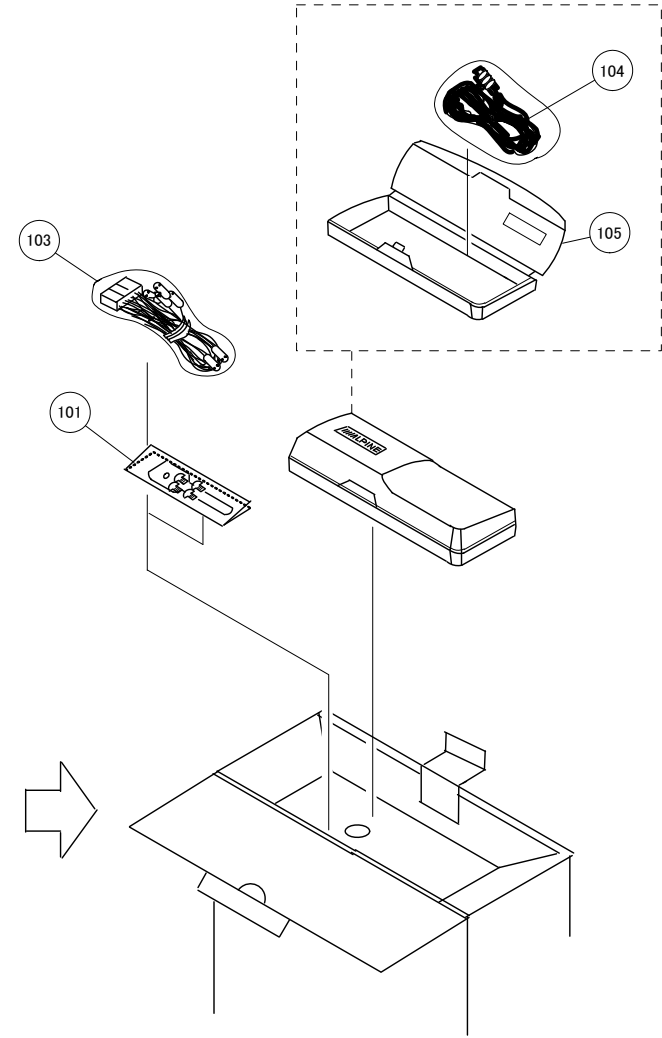
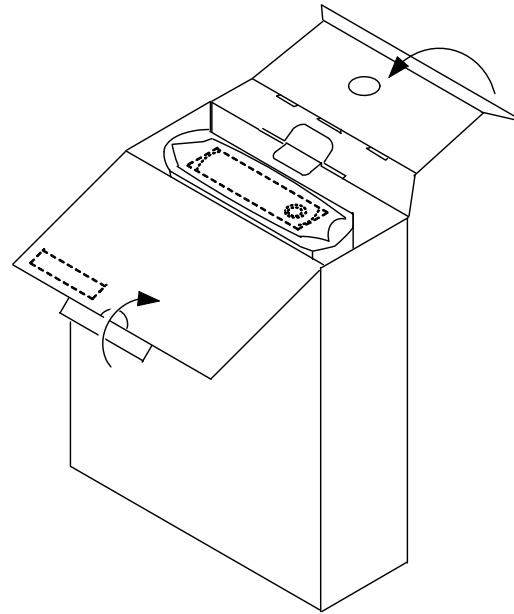
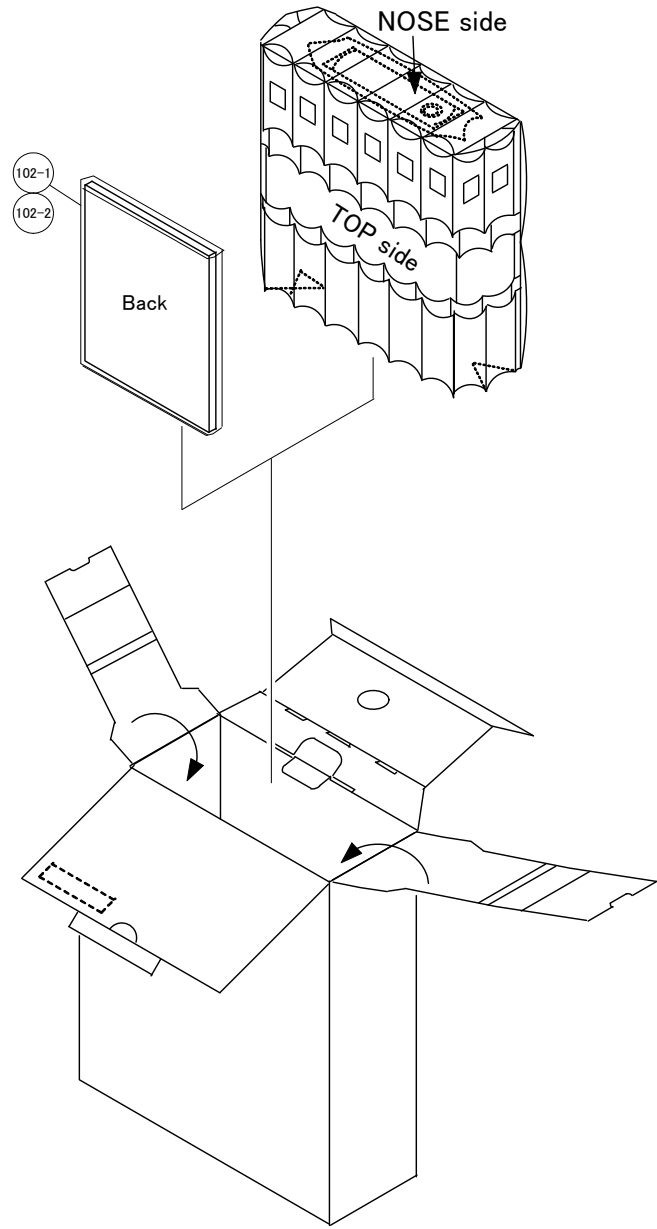
Exploded View (Cabinet) (2/2)



| MODEL                  | Symbol No.  | Parts No. | Description          |
|------------------------|-------------|-----------|----------------------|
| <a href="#">2</a>      | 15-26699Z01 | COVER,LCD |                      |
| <a href="#">3</a>      | 75-27131Z01 |           | RUBBER,GSS           |
| <a href="#">4</a>      | -----       |           | BKT,IC SYS           |
| <a href="#">5</a>      | -----       |           | HEAT,SINK SYS        |
| <a href="#">6</a>      | 03S60825Y04 |           | SCR,B-T 3X8 ZN A     |
| <a href="#">8</a>      | -----       |           | BKT,CHAS REAR        |
| <a href="#">9</a>      | EN-27371Z04 |           | NOSE,PIECE ASSY      |
| <a href="#">10</a>     | 13-27126Z01 |           | NOSE,BOTTOM          |
| <a href="#">11</a>     | 03-02876Z28 |           | SCR,WEV 1.7X7 ZB A   |
| <a href="#">12</a>     | 36-24673Z02 |           | KNOB,ROTARY ASSY     |
| <a href="#">13</a>     | 41-05515Z01 |           | SPRING,OPEN          |
| <a href="#">14</a>     | EN-24496Z03 |           | NOSE,BASE ASSY       |
| <a href="#">15</a>     | 03S60822Y13 |           | SCR,S-T 2.6X6 ZN A   |
| <a href="#">16</a>     | 03S60822Y22 |           | SCR,S-T 2.6X14 ZN A  |
| <a href="#">17</a>     | -----       |           | CHAS,BASE            |
| <a href="#">18</a>     | -----       |           | COVER,BOTTOM         |
| <a href="#">19</a>     | -----       |           | HEAT,SINK PWR        |
| <a href="#">20</a>     | 33-23980Z01 |           | FACE,PLATE           |
| <a href="#">21</a>     | 15-24381Z01 |           | CASE,INNER           |
| <a href="#">23</a>     | 15-31902Z01 |           | CASE,LCD ASSY        |
| <a href="#">26</a>     | SU-32181Z01 |           | SERVICE_NOSE_62BT    |
| <a href="#">ANT101</a> | 09-26262Z01 |           | ANT,ARL43.644.692-DB |
| <a href="#">CB301</a>  | 09-27558Z01 |           | ASSY,CCT-A21 -DB     |
| <a href="#">CB401</a>  | 09-18716Z01 |           | BTB,DF20-P -EJ       |
| <a href="#">CH501</a>  | 09-18738Z01 |           | BTB,DF20-S -DB       |
| <a href="#">DIN901</a> | 09-18874Z01 |           | DIN,TCS7718-012117DB |

| MODEL | Symbol No.             | Parts No.   | Description          |
|-------|------------------------|-------------|----------------------|
|       | <a href="#">JK300</a>  | 09-25331Z01 | RCA,RJ-1346B09-0H0DB |
|       | <a href="#">JK401</a>  | 09-27672Z01 | JAC,CK-3552 -DB      |
|       | <a href="#">JK901</a>  | 09-14149Z01 | JAC,CK3-3.5-14D -DB  |
|       | <a href="#">LCD401</a> | 65-32259Z01 | LCD,VDF6504BETZ      |
|       | <a href="#">SK401</a>  | 09-19382Z01 | SKT,CM-V105 -DB      |
|       | <a href="#">SW412</a>  | 40-10735Z02 | ENC,EC12D1524405 -DB |
|       | <a href="#">SW501</a>  | 40T16096W03 | SW ,TACT SKHHLW      |

# Packing Method View



| MODEL | Symbol No.            | Parts No.   | Description        |
|-------|-----------------------|-------------|--------------------|
|       | <a href="#">101-1</a> | 03S60820Y16 | SCR,MCH 5X8 ZN A   |
|       | <a href="#">101-2</a> | 03S60824Y01 | SCR,WEV 1.7X4 ZN A |
|       | <a href="#">101-3</a> | 07-24382Z01 | BKT,RELEASE        |
|       | <a href="#">102-1</a> | 68-10334Z79 | OM-CDROM AOTH      |
|       | <a href="#">102-2</a> | 68-30368Z37 | C/N-QRG AOAM AOTH  |
|       | <a href="#">103</a>   | 09-25214Z03 | ASSY,ATTC-0081-03A |
|       | <a href="#">104</a>   | 50-29950Z01 | ASSY,DC3.5-MIC     |
|       | <a href="#">105</a>   | 15-24676Z01 | CARRYING,CASE ASSY |

| P.W.Board      | MIS   | MODEL | Ref.                   | Parts No.   | Parts Name           |
|----------------|---|-------|------------------------|-------------|----------------------|
| MAIN-P.W.Board |  |       | <a href="#">ANT101</a> | 09-26262Z01 | ANT,ARL43.644.692-DB |
| MAIN-P.W.Board |   |       | <a href="#">C101</a>   | 08S35349Y16 | CAP,CER 105K-B1A -CP |
| MAIN-P.W.Board |   |       | <a href="#">C103</a>   | 08S45231Y38 | CAP,CER 102J-CH1H-CP |
| MAIN-P.W.Board |   |       | <a href="#">C104</a>   | 08S35374W12 | CAP,CER 106K-B0J -CP |
| MAIN-P.W.Board |   |       | <a href="#">C105</a>   | 08S35374W12 | CAP,CER 106K-B0J -CP |
| MAIN-P.W.Board |   |       | <a href="#">C106</a>   | 08S35374W12 | CAP,CER 106K-B0J -CP |
| MAIN-P.W.Board |   |       | <a href="#">C107</a>   | 08S35374W12 | CAP,CER 106K-B0J -CP |
| MAIN-P.W.Board |   |       | <a href="#">C108</a>   | 08S45231Y38 | CAP,CER 102J-CH1H-CP |
| MAIN-P.W.Board |   |       | <a href="#">C109</a>   | 08S45676W65 | CAP,CER.222K-B1H -CP |
| MAIN-P.W.Board |   |       | <a href="#">C110</a>   | 08S35374W12 | CAP,CER 106K-B0J -CP |
| MAIN-P.W.Board |   |       | <a href="#">C111</a>   | 08S35374W12 | CAP,CER 106K-B0J -CP |
| MAIN-P.W.Board |   |       | <a href="#">C112</a>   | 08S35374W12 | CAP,CER 106K-B0J -CP |
| MAIN-P.W.Board |   |       | <a href="#">C113</a>   | 08S45232Y12 | CAP,CER 153K-B1C -CP |
| MAIN-P.W.Board |   |       | <a href="#">C114</a>   | 08S45232Y17 | CAP,CER 104K-B0J -CP |
| MAIN-P.W.Board |   |       | <a href="#">C115</a>   | 08S35374W12 | CAP,CER 106K-B0J -CP |
| MAIN-P.W.Board |   |       | <a href="#">C116</a>   | 08S45231Y06 | CAP,CER 3R0C-CJ1H-CP |
| MAIN-P.W.Board |   |       | <a href="#">C117</a>   | 08S45677W60 | CAP,CER 102J-CH1H-CP |
| MAIN-P.W.Board |   |       | <a href="#">C118</a>   | 08S45232Y17 | CAP,CER 104K-B0J -CP |
| MAIN-P.W.Board |   |       | <a href="#">C119</a>   | 08S65670Y01 | CAP,CER 106KX5R1C-CP |
| MAIN-P.W.Board |   |       | <a href="#">C120</a>   | 08S45232Y17 | CAP,CER 104K-B0J -CP |
| MAIN-P.W.Board |   |       | <a href="#">C121</a>   | 08S45232Y05 | CAP,CER 102K-B1H -CP |
| MAIN-P.W.Board |   |       | <a href="#">C122</a>   | 08S35349Y17 | CAP,CER 225K-B0J -CP |
| MAIN-P.W.Board |   |       | <a href="#">C123</a>   | 08S35374W11 | CAP,CER 475K-B0J -CP |
| MAIN-P.W.Board |   |       | <a href="#">C124</a>   | 08S45232Y05 | CAP,CER 102K-B1H -CP |
| MAIN-P.W.Board |   |       | <a href="#">C125</a>   | 08S45232Y17 | CAP,CER 104K-B0J -CP |
| MAIN-P.W.Board |   |       | <a href="#">C126</a>   | 08S45232Y17 | CAP,CER 104K-B0J -CP |

| P.W.Board      | MIS | MODEL | Ref.                 | Parts No.   | Parts Name           |
|----------------|-----|-------|----------------------|-------------|----------------------|
| MAIN-P.W.Board |     |       | <a href="#">C127</a> | 08S45232Y08 | CAP,CER 332K-B1H -CP |
| MAIN-P.W.Board |     |       | <a href="#">C128</a> | 08S45232Y05 | CAP,CER 102K-B1H -CP |
| MAIN-P.W.Board |     |       | <a href="#">C129</a> | 08S45232Y05 | CAP,CER 102K-B1H -CP |
| MAIN-P.W.Board |     |       | <a href="#">C130</a> | 08S45232Y05 | CAP,CER 102K-B1H -CP |
| MAIN-P.W.Board |     |       | <a href="#">C131</a> | 08S45677W34 | CAP,CER.82RJ-CH1H-CP |
| MAIN-P.W.Board |     |       | <a href="#">C132</a> | 08S45231Y17 | CAP,CER 22RJ-CH1H-CP |
| MAIN-P.W.Board |     |       | <a href="#">C141</a> | 08S45231Y25 | CAP,CER 101J-CH1H-CP |
| MAIN-P.W.Board |     |       | <a href="#">C142</a> | 08S45231Y13 | CAP,CER 10RD-CH1H-CP |
| MAIN-P.W.Board |     |       | <a href="#">C143</a> | 08S45232Y03 | CAP,CER 471K-B1H -CP |
| MAIN-P.W.Board |     |       | <a href="#">C145</a> | 08S45677W60 | CAP,CER 102J-CH1H-CP |
| MAIN-P.W.Board |     |       | <a href="#">C153</a> | 08S45231Y38 | CAP,CER 102J-CH1H-CP |
| MAIN-P.W.Board |     |       | <a href="#">C154</a> | 08S45231Y16 | CAP,CER 18RJ-CH1H-CP |
| MAIN-P.W.Board |     |       | <a href="#">C155</a> | 08S45232Y07 | CAP,CER 222K-B1H -CP |
| MAIN-P.W.Board |     |       | <a href="#">C160</a> | 08S45676W73 | CAP,CER.103K-B1H -CP |
| MAIN-P.W.Board |     |       | <a href="#">C161</a> | 08S45676W73 | CAP,CER.103K-B1H -CP |
| MAIN-P.W.Board |     |       | <a href="#">C162</a> | 08S65668Y05 | CAP,CER 224KX5R1A-CP |
| MAIN-P.W.Board |     |       | <a href="#">C163</a> | 08S45231Y15 | CAP,CER 15RJ-CH1H-CP |
| MAIN-P.W.Board |     |       | <a href="#">C164</a> | 08S45231Y14 | CAP,CER 12RJ-CH1H-CP |
| MAIN-P.W.Board |     |       | <a href="#">C165</a> | 08S45231Y38 | CAP,CER 102J-CH1H-CP |
| MAIN-P.W.Board |     |       | <a href="#">C166</a> | 08S65670Y01 | CAP,CER 106KX5R1C-CP |
| MAIN-P.W.Board |     |       | <a href="#">C167</a> | 08S45232Y17 | CAP,CER 104K-B0J -CP |
| MAIN-P.W.Board |     |       | <a href="#">C168</a> | 08S45232Y17 | CAP,CER 104K-B0J -CP |
| MAIN-P.W.Board |     |       | <a href="#">C169</a> | 08S45231Y38 | CAP,CER 102J-CH1H-CP |
| MAIN-P.W.Board |     |       | <a href="#">C170</a> | 08S65670Y01 | CAP,CER 106KX5R1C-CP |
| MAIN-P.W.Board |     |       | <a href="#">C171</a> | 08S35374W12 | CAP,CER 106K-B0J -CP |
| MAIN-P.W.Board |     |       | <a href="#">C172</a> | 08S35374W12 | CAP,CER 106K-B0J -CP |

| P.W.Board      | MIS | MODEL | Ref.                 | Parts No.   | Parts Name           |
|----------------|-----|-------|----------------------|-------------|----------------------|
| MAIN-P.W.Board |     |       | <a href="#">C173</a> | 08S35374W12 | CAP,CER 106K-B0J -CP |
| MAIN-P.W.Board |     |       | <a href="#">C174</a> | 08S35374W12 | CAP,CER 106K-B0J -CP |
| MAIN-P.W.Board |     |       | <a href="#">C175</a> | 08S45231Y38 | CAP,CER 102J-CH1H-CP |
| MAIN-P.W.Board |     |       | <a href="#">C176</a> | 08S45231Y38 | CAP,CER 102J-CH1H-CP |
| MAIN-P.W.Board |     |       | <a href="#">C300</a> | 08S45676W73 | CAP,CER.103K-B1H -CP |
| MAIN-P.W.Board |     |       | <a href="#">C301</a> | 08S65676Y03 | CAP,CER 225KX7R1C-CP |
| MAIN-P.W.Board |     |       | <a href="#">C302</a> | 08S35350Y04 | CAP,CER 105K-B1C -CP |
| MAIN-P.W.Board |     |       | <a href="#">C303</a> | 08S65669Y03 | CAP,CER 224KX7R1H-CP |
| MAIN-P.W.Board |     |       | <a href="#">C304</a> | 08S45676W80 | CAP,CER 223K-B1E -CP |
| MAIN-P.W.Board |     |       | <a href="#">C305</a> | 08S65669Y03 | CAP,CER 224KX7R1H-CP |
| MAIN-P.W.Board |     |       | <a href="#">C306</a> | 08S65676Y03 | CAP,CER 225KX7R1C-CP |
| MAIN-P.W.Board |     |       | <a href="#">C307</a> | 08S65669Y03 | CAP,CER 224KX7R1H-CP |
| MAIN-P.W.Board |     |       | <a href="#">C308</a> | 08S65676Y03 | CAP,CER 225KX7R1C-CP |
| MAIN-P.W.Board |     |       | <a href="#">C309</a> | 08S65676Y03 | CAP,CER 225KX7R1C-CP |
| MAIN-P.W.Board |     |       | <a href="#">C310</a> | 08S65676Y03 | CAP,CER 225KX7R1C-CP |
| MAIN-P.W.Board |     |       | <a href="#">C311</a> | 08S65676Y03 | CAP,CER 225KX7R1C-CP |
| MAIN-P.W.Board |     |       | <a href="#">C312</a> | 08S65669Y03 | CAP,CER 224KX7R1H-CP |
| MAIN-P.W.Board |     |       | <a href="#">C313</a> | 08S35349Y12 | CAP,CER 105K-B0J -CP |
| MAIN-P.W.Board |     |       | <a href="#">C314</a> | 08S35374W12 | CAP,CER 106K-B0J -CP |
| MAIN-P.W.Board |     |       | <a href="#">C315</a> | 08S35374W12 | CAP,CER 106K-B0J -CP |
| MAIN-P.W.Board |     |       | <a href="#">C316</a> | 08S65669Y03 | CAP,CER 224KX7R1H-CP |
| MAIN-P.W.Board |     |       | <a href="#">C317</a> | 08S45231Y25 | CAP,CER 101J-CH1H-CP |
| MAIN-P.W.Board |     |       | <a href="#">C318</a> | 08S45232Y17 | CAP,CER 104K-B0J -CP |
| MAIN-P.W.Board |     |       | <a href="#">C319</a> | 08S45231Y25 | CAP,CER 101J-CH1H-CP |
| MAIN-P.W.Board |     |       | <a href="#">C320</a> | 08S35350Y04 | CAP,CER 105K-B1C -CP |
| MAIN-P.W.Board |     |       | <a href="#">C321</a> | 08S65669Y03 | CAP,CER 224KX7R1H-CP |

| P.W.Board      | MIS | MODEL | Ref.                 | Parts No.   | Parts Name           |
|----------------|-----|-------|----------------------|-------------|----------------------|
| MAIN-P.W.Board |     |       | <a href="#">C322</a> | 08S65669Y03 | CAP,CER 224KX7R1H-CP |
| MAIN-P.W.Board |     |       | <a href="#">C323</a> | 08S65669Y03 | CAP,CER 224KX7R1H-CP |
| MAIN-P.W.Board |     |       | <a href="#">C324</a> | 08S65669Y03 | CAP,CER 224KX7R1H-CP |
| MAIN-P.W.Board |     |       | <a href="#">C325</a> | 08S65676Y05 | CAP,CER 105KX7R1E-CP |
| MAIN-P.W.Board |     |       | <a href="#">C327</a> | 08S35349Y16 | CAP,CER 105K-B1A -CP |
| MAIN-P.W.Board |     |       | <a href="#">C333</a> | 08S45232Y17 | CAP,CER 104K-B0J -CP |
| MAIN-P.W.Board |     |       | <a href="#">C501</a> | 08S45676W85 | CAP,CER 104K-B1C -CP |
| MAIN-P.W.Board |     |       | <a href="#">C502</a> | 08S45676W85 | CAP,CER 104K-B1C -CP |
| MAIN-P.W.Board |     |       | <a href="#">C503</a> | 08S45676W85 | CAP,CER 104K-B1C -CP |
| MAIN-P.W.Board |     |       | <a href="#">C504</a> | 08S65669Y03 | CAP,CER 224KX7R1H-CP |
| MAIN-P.W.Board |     |       | <a href="#">C505</a> | 08S45232Y07 | CAP,CER 222K-B1H -CP |
| MAIN-P.W.Board |     |       | <a href="#">C506</a> | 08S65668Y05 | CAP,CER 224KX5R1A-CP |
| MAIN-P.W.Board |     |       | <a href="#">C507</a> | 08S45677W60 | CAP,CER 102J-CH1H-CP |
| MAIN-P.W.Board |     |       | <a href="#">C508</a> | 08S45232Y07 | CAP,CER 222K-B1H -CP |
| MAIN-P.W.Board |     |       | <a href="#">C509</a> | 08S45232Y07 | CAP,CER 222K-B1H -CP |
| MAIN-P.W.Board |     |       | <a href="#">C514</a> | 08S45232Y11 | CAP,CER 103K-B1C -CP |
| MAIN-P.W.Board |     |       | <a href="#">C515</a> | 08S45232Y07 | CAP,CER 222K-B1H -CP |
| MAIN-P.W.Board |     |       | <a href="#">C516</a> | 08S45232Y05 | CAP,CER 102K-B1H -CP |
| MAIN-P.W.Board |     |       | <a href="#">C517</a> | 08S45232Y17 | CAP,CER 104K-B0J -CP |
| MAIN-P.W.Board |     |       | <a href="#">C518</a> | 08S45676W85 | CAP,CER 104K-B1C -CP |
| MAIN-P.W.Board |     |       | <a href="#">C519</a> | 08S45232Y05 | CAP,CER 102K-B1H -CP |
| MAIN-P.W.Board |     |       | <a href="#">C520</a> | 08S65669Y03 | CAP,CER 224KX7R1H-CP |
| MAIN-P.W.Board |     |       | <a href="#">C523</a> | 08S45232Y17 | CAP,CER 104K-B0J -CP |
| MAIN-P.W.Board |     |       | <a href="#">C524</a> | 08S45676W85 | CAP,CER 104K-B1C -CP |
| MAIN-P.W.Board |     |       | <a href="#">C525</a> | 08S45676W85 | CAP,CER 104K-B1C -CP |
| MAIN-P.W.Board |     |       | <a href="#">C526</a> | 08S45676W85 | CAP,CER 104K-B1C -CP |

| P.W.Board      | MIS | MODEL | Ref.                 | Parts No.   | Parts Name           |
|----------------|-----|-------|----------------------|-------------|----------------------|
| MAIN-P.W.Board |     |       | <a href="#">C527</a> | 08S45232Y17 | CAP,CER 104K-B0J -CP |
| MAIN-P.W.Board |     |       | <a href="#">C528</a> | 08S45676W85 | CAP,CER 104K-B1C -CP |
| MAIN-P.W.Board |     |       | <a href="#">C529</a> | 08S45676W85 | CAP,CER 104K-B1C -CP |
| MAIN-P.W.Board |     |       | <a href="#">C530</a> | 08S45232Y17 | CAP,CER 104K-B0J -CP |
| MAIN-P.W.Board |     |       | <a href="#">C531</a> | 08S45676W85 | CAP,CER 104K-B1C -CP |
| MAIN-P.W.Board |     |       | <a href="#">C533</a> | 08S45676W85 | CAP,CER 104K-B1C -CP |
| MAIN-P.W.Board |     |       | <a href="#">C534</a> | 08S45676W85 | CAP,CER 104K-B1C -CP |
| MAIN-P.W.Board |     |       | <a href="#">C535</a> | 08S45232Y21 | CAP,CER 104K-B1A-CP  |
| MAIN-P.W.Board |     |       | <a href="#">C536</a> | 08S45232Y21 | CAP,CER 104K-B1A-CP  |
| MAIN-P.W.Board |     |       | <a href="#">C537</a> | 08S45676W85 | CAP,CER 104K-B1C -CP |
| MAIN-P.W.Board |     |       | <a href="#">C538</a> | 08S45676W85 | CAP,CER 104K-B1C -CP |
| MAIN-P.W.Board |     |       | <a href="#">C539</a> | 08S45676W85 | CAP,CER 104K-B1C -CP |
| MAIN-P.W.Board |     |       | <a href="#">C540</a> | 08S45232Y17 | CAP,CER 104K-B0J -CP |
| MAIN-P.W.Board |     |       | <a href="#">C541</a> | 08S45676W85 | CAP,CER 104K-B1C -CP |
| MAIN-P.W.Board |     |       | <a href="#">C542</a> | 08S45676W85 | CAP,CER 104K-B1C -CP |
| MAIN-P.W.Board |     |       | <a href="#">C543</a> | 08S45676W85 | CAP,CER 104K-B1C -CP |
| MAIN-P.W.Board |     |       | <a href="#">C544</a> | 08S45676W85 | CAP,CER 104K-B1C -CP |
| MAIN-P.W.Board |     |       | <a href="#">C545</a> | 08S45676W85 | CAP,CER 104K-B1C -CP |
| MAIN-P.W.Board |     |       | <a href="#">C546</a> | 08S45676W85 | CAP,CER 104K-B1C -CP |
| MAIN-P.W.Board |     |       | <a href="#">C547</a> | 08S45231Y10 | CAP,CER 7R0D-CH1H-CP |
| MAIN-P.W.Board |     |       | <a href="#">C548</a> | 08S45231Y10 | CAP,CER 7R0D-CH1H-CP |
| MAIN-P.W.Board |     |       | <a href="#">C549</a> | 08S65668Y05 | CAP,CER 224KX5R1A-CP |
| MAIN-P.W.Board |     |       | <a href="#">C550</a> | 08S35349Y16 | CAP,CER 105K-B1A -CP |
| MAIN-P.W.Board |     |       | <a href="#">C551</a> | 08S35349Y16 | CAP,CER 105K-B1A -CP |
| MAIN-P.W.Board |     |       | <a href="#">C552</a> | 08S65669Y03 | CAP,CER 224KX7R1H-CP |
| MAIN-P.W.Board |     |       | <a href="#">C554</a> | 08S45676W85 | CAP,CER 104K-B1C -CP |

| P.W.Board      | MIS | MODEL | Ref.                 | Parts No.   | Parts Name           |
|----------------|-----|-------|----------------------|-------------|----------------------|
| MAIN-P.W.Board |     |       | <a href="#">C555</a> | 08S45676W69 | CAP,CER.472K-B1H -CP |
| MAIN-P.W.Board |     |       | <a href="#">C556</a> | 08S45232Y03 | CAP,CER 471K-B1H -CP |
| MAIN-P.W.Board |     |       | <a href="#">C561</a> | 08S45676W73 | CAP,CER.103K-B1H -CP |
| MAIN-P.W.Board |     |       | <a href="#">C562</a> | 08S45676W80 | CAP,CER 223K-B1E -CP |
| MAIN-P.W.Board |     |       | <a href="#">C601</a> | 08S45232Y05 | CAP,CER 102K-B1H -CP |
| MAIN-P.W.Board |     |       | <a href="#">C602</a> | 08S45231Y13 | CAP,CER 10RD-CH1H-CP |
| MAIN-P.W.Board |     |       | <a href="#">C603</a> | 08S35374W12 | CAP,CER 106K-B0J -CP |
| MAIN-P.W.Board |     |       | <a href="#">C604</a> | 08S45232Y05 | CAP,CER 102K-B1H -CP |
| MAIN-P.W.Board |     |       | <a href="#">C605</a> | 08S45232Y05 | CAP,CER 102K-B1H -CP |
| MAIN-P.W.Board |     |       | <a href="#">C606</a> | 08S35374W12 | CAP,CER 106K-B0J -CP |
| MAIN-P.W.Board |     |       | <a href="#">C607</a> | 08S35374W12 | CAP,CER 106K-B0J -CP |
| MAIN-P.W.Board |     |       | <a href="#">C608</a> | 08S35374W12 | CAP,CER 106K-B0J -CP |
| MAIN-P.W.Board |     |       | <a href="#">C609</a> | 08S45232Y17 | CAP,CER 104K-B0J -CP |
| MAIN-P.W.Board |     |       | <a href="#">C610</a> | 08S35374W12 | CAP,CER 106K-B0J -CP |
| MAIN-P.W.Board |     |       | <a href="#">C611</a> | 08S45232Y17 | CAP,CER 104K-B0J -CP |
| MAIN-P.W.Board |     |       | <a href="#">C612</a> | 08S45232Y05 | CAP,CER 102K-B1H -CP |
| MAIN-P.W.Board |     |       | <a href="#">C613</a> | 08S45231Y13 | CAP,CER 10RD-CH1H-CP |
| MAIN-P.W.Board |     |       | <a href="#">C614</a> | 08S45232Y05 | CAP,CER 102K-B1H -CP |
| MAIN-P.W.Board |     |       | <a href="#">C615</a> | 08S45231Y13 | CAP,CER 10RD-CH1H-CP |
| MAIN-P.W.Board |     |       | <a href="#">C616</a> | 08S35349Y12 | CAP,CER 105K-B0J -CP |
| MAIN-P.W.Board |     |       | <a href="#">C617</a> | 08S45232Y05 | CAP,CER 102K-B1H -CP |
| MAIN-P.W.Board |     |       | <a href="#">C618</a> | 08S35349Y12 | CAP,CER 105K-B0J -CP |
| MAIN-P.W.Board |     |       | <a href="#">C619</a> | 08S35349Y12 | CAP,CER 105K-B0J -CP |
| MAIN-P.W.Board |     |       | <a href="#">C620</a> | 08S45232Y17 | CAP,CER 104K-B0J -CP |
| MAIN-P.W.Board |     |       | <a href="#">C621</a> | 08S45232Y17 | CAP,CER 104K-B0J -CP |
| MAIN-P.W.Board |     |       | <a href="#">C623</a> | 08S45231Y04 | CAP,CER 1R5C-CK1H-CP |


| P.W.Board      | MIS | MODEL | Ref.                 | Parts No.   | Parts Name           |
|----------------|-----|-------|----------------------|-------------|----------------------|
| MAIN-P.W.Board |     |       | <a href="#">C624</a> | 08S45231Y15 | CAP,CER 15RJ-CH1H-CP |
| MAIN-P.W.Board |     |       | <a href="#">C625</a> | 08S45231Y15 | CAP,CER 15RJ-CH1H-CP |
| MAIN-P.W.Board |     |       | <a href="#">C801</a> | 08S45232Y21 | CAP,CER 104K-B1A-CP  |
| MAIN-P.W.Board |     |       | <a href="#">C802</a> | 08S45232Y12 | CAP,CER 153K-B1C -CP |
| MAIN-P.W.Board |     |       | <a href="#">C803</a> | 08S45676W74 | CAP,CER 123K-B1H -CP |
| MAIN-P.W.Board |     |       | <a href="#">C804</a> | 08S45232Y01 | CAP,CER 221K-B1H -CP |
| MAIN-P.W.Board |     |       | <a href="#">C805</a> | 08S45232Y07 | CAP,CER 222K-B1H -CP |
| MAIN-P.W.Board |     |       | <a href="#">C806</a> | 08S65669Y03 | CAP,CER 224KX7R1H-CP |
| MAIN-P.W.Board |     |       | <a href="#">C807</a> | 08S45676W93 | CAP,CER 224K-B1A -CP |
| MAIN-P.W.Board |     |       | <a href="#">C808</a> | 08S45232Y14 | CAP,CER 333K-B1C -CP |
| MAIN-P.W.Board |     |       | <a href="#">C809</a> | 08S65669Y03 | CAP,CER 224KX7R1H-CP |
| MAIN-P.W.Board |     |       | <a href="#">C810</a> | 08S45232Y21 | CAP,CER 104K-B1A-CP  |
| MAIN-P.W.Board |     |       | <a href="#">C811</a> | 08S35349Y16 | CAP,CER 105K-B1A -CP |
| MAIN-P.W.Board |     |       | <a href="#">C813</a> | 08S65670Y07 | CAP,CER 105KX5R1H-CP |
| MAIN-P.W.Board |     |       | <a href="#">C814</a> | 08S65669Y03 | CAP,CER 224KX7R1H-CP |
| MAIN-P.W.Board |     |       | <a href="#">C815</a> | 08S65128F88 | CAP,CER 104K-B1H -CP |
| MAIN-P.W.Board |     |       | <a href="#">C816</a> | 08S35349Y16 | CAP,CER 105K-B1A -CP |
| MAIN-P.W.Board |     |       | <a href="#">C817</a> | 08S65669Y03 | CAP,CER 224KX7R1H-CP |
| MAIN-P.W.Board |     |       | <a href="#">C818</a> | 08S65669Y03 | CAP,CER 224KX7R1H-CP |
| MAIN-P.W.Board |     |       | <a href="#">C819</a> | 08S65669Y03 | CAP,CER 224KX7R1H-CP |
| MAIN-P.W.Board |     |       | <a href="#">C820</a> | 08S65669Y03 | CAP,CER 224KX7R1H-CP |
| MAIN-P.W.Board |     |       | <a href="#">C821</a> | 08S65669Y03 | CAP,CER 224KX7R1H-CP |
| MAIN-P.W.Board |     |       | <a href="#">C823</a> | 08S45232Y05 | CAP,CER 102K-B1H -CP |
| MAIN-P.W.Board |     |       | <a href="#">C824</a> | 08S45676W73 | CAP,CER.103K-B1H -CP |
| MAIN-P.W.Board |     |       | <a href="#">C825</a> | 08S45676W89 | CAP,CER 473K-B1E -CP |
| MAIN-P.W.Board |     |       | <a href="#">C826</a> | 08S65669Y03 | CAP,CER 224KX7R1H-CP |

| P.W.Board      | MIS | MODEL | Ref.                 | Parts No.   | Parts Name           |
|----------------|-----|-------|----------------------|-------------|----------------------|
| MAIN-P.W.Board |     |       | <a href="#">C827</a> | 08S65669Y03 | CAP,CER 224KX7R1H-CP |
| MAIN-P.W.Board |     |       | <a href="#">C829</a> | 08S45676W85 | CAP,CER 104K-B1C -CP |
| MAIN-P.W.Board |     |       | <a href="#">C830</a> | 08S65669Y03 | CAP,CER 224KX7R1H-CP |
| MAIN-P.W.Board |     |       | <a href="#">C835</a> | 08S65669Y03 | CAP,CER 224KX7R1H-CP |
| MAIN-P.W.Board |     |       | <a href="#">C836</a> | 08S65669Y03 | CAP,CER 224KX7R1H-CP |
| MAIN-P.W.Board |     |       | <a href="#">C838</a> | 08S65670Y07 | CAP,CER 105KX5R1H-CP |
| MAIN-P.W.Board |     |       | <a href="#">C839</a> | 08S45231Y25 | CAP,CER 101J-CH1H-CP |
| MAIN-P.W.Board |     |       | <a href="#">C840</a> | 08S45677W36 | CAP,CER.101J-CH1H-CP |
| MAIN-P.W.Board |     |       | <a href="#">C841</a> | 08S45676W85 | CAP,CER 104K-B1C -CP |
| MAIN-P.W.Board |     |       | <a href="#">C842</a> | 08S65669Y03 | CAP,CER 224KX7R1H-CP |
| MAIN-P.W.Board |     |       | <a href="#">C843</a> | 08S65669Y03 | CAP,CER 224KX7R1H-CP |
| MAIN-P.W.Board |     |       | <a href="#">C845</a> | 08S65669Y03 | CAP,CER 224KX7R1H-CP |
| MAIN-P.W.Board |     |       | <a href="#">C846</a> | 08S65128F88 | CAP,CER 104K-B1H -CP |
| MAIN-P.W.Board |     |       | <a href="#">C847</a> | 08-15113Z03 | CAP,CER 475KX7R1C-CP |
| MAIN-P.W.Board |     |       | <a href="#">C848</a> | 08S65670Y09 | CAP,CER 106KX5R1E-CP |
| MAIN-P.W.Board |     |       | <a href="#">C849</a> | 08S35349Y21 | CAP,CER 104K-B1H -CP |
| MAIN-P.W.Board |     |       | <a href="#">C901</a> | 08S65668Y05 | CAP,CER 224KX5R1A-CP |
| MAIN-P.W.Board |     |       | <a href="#">C902</a> | 08S65669Y03 | CAP,CER 224KX7R1H-CP |
| MAIN-P.W.Board |     |       | <a href="#">C903</a> | 08S65669Y03 | CAP,CER 224KX7R1H-CP |
| MAIN-P.W.Board |     |       | <a href="#">C905</a> | 08S45676W85 | CAP,CER 104K-B1C -CP |
| MAIN-P.W.Board |     |       | <a href="#">C906</a> | 08S45232Y11 | CAP,CER 103K-B1C -CP |
| MAIN-P.W.Board |     |       | <a href="#">C907</a> | 08S35349Y11 | CAP,CER 223K-B1H -CP |
| MAIN-P.W.Board |     |       | <a href="#">C908</a> | 08S45676W65 | CAP,CER.222K-B1H -CP |
| MAIN-P.W.Board |     |       | <a href="#">C911</a> | 08S65668Y05 | CAP,CER 224KX5R1A-CP |
| MAIN-P.W.Board |     |       | <a href="#">C913</a> | 08S45676W65 | CAP,CER.222K-B1H -CP |
| MAIN-P.W.Board |     |       | <a href="#">C917</a> | 08S45539Y04 | CAP,CER 103KX7R2J-CP |

| P.W.Board      | MIS | MODEL | Ref.                   | Parts No.   | Parts Name           |
|----------------|-----|-------|------------------------|-------------|----------------------|
| MAIN-P.W.Board |     |       | <a href="#">CB301</a>  | 09-27558Z01 | ASSY,CCT-A21 -DB     |
| MAIN-P.W.Board |     |       | <a href="#">CH501</a>  | 09-18738Z01 | BTB,DF20-S -DB       |
| MAIN-P.W.Board |     |       | <a href="#">D101</a>   | 48-17547Z01 | DIO,DA3J101FOL -CP   |
| MAIN-P.W.Board |     |       | <a href="#">D300</a>   | 48-07016Z01 | DIO,KDS181-RTK -CP   |
| MAIN-P.W.Board |     |       | <a href="#">D301</a>   | 48-07016Z01 | DIO,KDS181-RTK -CP   |
| MAIN-P.W.Board |     |       | <a href="#">D302</a>   | 48T75446Y01 | DIO,RR264M-400 -CP   |
| MAIN-P.W.Board |     |       | <a href="#">D303</a>   | 48T75527Y01 | DIO,1SR154-400 -E1   |
| MAIN-P.W.Board |     |       | <a href="#">D304</a>   | 48-07016Z01 | DIO,KDS181-RTK -CP   |
| MAIN-P.W.Board |     |       | <a href="#">D305</a>   | 48-07016Z02 | DIO,KDS184-RTK -CP   |
| MAIN-P.W.Board |     |       | <a href="#">D307</a>   | 48-05965Z01 | DIO,1SS361-L -CP     |
| MAIN-P.W.Board |     |       | <a href="#">D309</a>   | 48-05828Z01 | DIO,1N5406G-04 -     |
| MAIN-P.W.Board |     |       | <a href="#">D800</a>   | 48-07015Z01 | DIO,KDS160-RTK -CP   |
| MAIN-P.W.Board |     |       | <a href="#">D802</a>   | 48T75527Y01 | DIO,1SR154-400 -E1   |
| MAIN-P.W.Board |     |       | <a href="#">D803</a>   | 48T75527Y01 | DIO,1SR154-400 -E1   |
| MAIN-P.W.Board |     |       | <a href="#">D804</a>   | 48-07015Z01 | DIO,KDS160-RTK -CP   |
| MAIN-P.W.Board |     |       | <a href="#">D806</a>   | 48-07015Z01 | DIO,KDS160-RTK -CP   |
| MAIN-P.W.Board |     |       | <a href="#">D807</a>   | 48-05965Z01 | DIO,1SS361-L -CP     |
| MAIN-P.W.Board |     |       | <a href="#">D901</a>   | 48-07016Z02 | DIO,KDS184-RTK -CP   |
| MAIN-P.W.Board |     |       | <a href="#">DIN901</a> | 09-18874Z01 | DIN,TCS7718-012117DB |
| MAIN-P.W.Board |     |       | <a href="#">E300</a>   | 23S65134W52 | CAP,ELY 3R3-1V(3)-E2 |
| MAIN-P.W.Board |     |       | <a href="#">E301</a>   | 23T75346W03 | CAP,X-PRO 332-1C +   |
| MAIN-P.W.Board |     |       | <a href="#">E302</a>   | 23T75234Y06 | CAP,MAR 22R-1C-E55E3 |
| MAIN-P.W.Board |     |       | <a href="#">E303</a>   | 23S65134W52 | CAP,ELY 3R3-1V(3)-E2 |
| MAIN-P.W.Board |     |       | <a href="#">E304</a>   | 23-31100Z20 | CAP,MAK 47R-1E -E6   |
| MAIN-P.W.Board |     |       | <a href="#">E305</a>   | 23S65134W52 | CAP,ELY 3R3-1V(3)-E2 |
| MAIN-P.W.Board |     |       | <a href="#">E306</a>   | 23S65134W52 | CAP,ELY 3R3-1V(3)-E2 |

| P.W.Board      | MIS | MODEL | Ref.                 | Parts No.   | Parts Name           |
|----------------|-----|-------|----------------------|-------------|----------------------|
| MAIN-P.W.Board |     |       | <a href="#">E307</a> | 23S65134W52 | CAP,ELY 3R3-1V(3)-E2 |
| MAIN-P.W.Board |     |       | <a href="#">E308</a> | 23S65134W52 | CAP,ELY 3R3-1V(3)-E2 |
| MAIN-P.W.Board |     |       | <a href="#">E309</a> | 23S75244Y26 | CAP,ELY 33R-1E -E3   |
| MAIN-P.W.Board |     |       | <a href="#">E311</a> | 23S65134W34 | CAP,ELY 47R-1C(6)-E6 |
| MAIN-P.W.Board |     |       | <a href="#">E312</a> | 23-31100Z09 | CAP,MAK 10R-1C -E2   |
| MAIN-P.W.Board |     |       | <a href="#">E313</a> | 23-31100Z09 | CAP,MAK 10R-1C -E2   |
| MAIN-P.W.Board |     |       | <a href="#">E314</a> | 23-31100Z09 | CAP,MAK 10R-1C -E2   |
| MAIN-P.W.Board |     |       | <a href="#">E315</a> | 23-31100Z09 | CAP,MAK 10R-1C -E2   |
| MAIN-P.W.Board |     |       | <a href="#">E316</a> | 23-31100Z10 | CAP,MAK 22R-1C -E3   |
| MAIN-P.W.Board |     |       | <a href="#">E317</a> | 23-31100Z09 | CAP,MAK 10R-1C -E2   |
| MAIN-P.W.Board |     |       | <a href="#">E500</a> | 23S65134W51 | CAP,ELY 2R2-1V(3)-E2 |
| MAIN-P.W.Board |     |       | <a href="#">E501</a> | 23S75244Y17 | CAP,ELY 22R-1C -E2   |
| MAIN-P.W.Board |     |       | <a href="#">E502</a> | 23S65134W81 | CAP,ELY 22R-1C(4)-E2 |
| MAIN-P.W.Board |     |       | <a href="#">E801</a> | 23S75244Y13 | CAP,ELY 471-1A -EA   |
| MAIN-P.W.Board |     |       | <a href="#">E802</a> | 23S75244Y30 | CAP,ELY 331-1E -EA   |
| MAIN-P.W.Board |     |       | <a href="#">E803</a> | 23S65134W13 | CAP,ELY 101-0J(6)-E6 |
| MAIN-P.W.Board |     |       | <a href="#">E804</a> | 23S75244Y20 | CAP,ELY 221-1C -E6   |
| MAIN-P.W.Board |     |       | <a href="#">E805</a> | 23S75244Y17 | CAP,ELY 22R-1C -E2   |
| MAIN-P.W.Board |     |       | <a href="#">E809</a> | 23S65134W54 | CAP,ELY 10R-1V(5)-E3 |
| MAIN-P.W.Board |     |       | <a href="#">E810</a> | 23T65114Y08 | CAP,FK 471-0J-F -EA  |
| MAIN-P.W.Board |     |       | <a href="#">E811</a> | 23S65134W24 | CAP,ELY 221-1A(8)-E6 |
| MAIN-P.W.Board |     |       | <a href="#">E812</a> | 23T75234Y19 | CAP,MAR 101-1C-H63E6 |
| MAIN-P.W.Board |     |       | <a href="#">E813</a> | 23S75244Y28 | CAP,ELY 101-1E -E6   |
| MAIN-P.W.Board |     |       | <a href="#">E814</a> | 23S65134W44 | CAP,ELY 22R-1E(6)-E6 |
| MAIN-P.W.Board |     |       | <a href="#">E818</a> | 23S75244Y28 | CAP,ELY 101-1E -E6   |
| MAIN-P.W.Board |     |       | <a href="#">E823</a> | 23S75244Y20 | CAP,ELY 221-1C -E6   |

| P.W.Board      | MIS | MODEL | Ref.                  | Parts No.   | Parts Name              |
|----------------|-----|-------|-----------------------|-------------|-------------------------|
| MAIN-P.W.Board |     |       | <a href="#">E824</a>  | 23S75244Y21 | CAP,ELY 331-1C -EA      |
| MAIN-P.W.Board |     |       | <a href="#">E825</a>  | 23S75244Y19 | CAP,ELY 101-1C -E6      |
| MAIN-P.W.Board |     |       | <a href="#">E901</a>  | 23S65134W81 | CAP,ELY 22R-1C(4)-E2    |
| MAIN-P.W.Board |     |       | <a href="#">E902</a>  | 23S65134W24 | CAP,ELY 221-1A(8)-E6    |
| MAIN-P.W.Board |     |       | <a href="#">E903</a>  | 23S65134W80 | CAP,ELY 10R-1C(3)-E2    |
| MAIN-P.W.Board |     |       | <a href="#">IC101</a> | 51-22873Z01 | TEA6636HW/V103 -QT      |
| MAIN-P.W.Board |     |       | <a href="#">IC302</a> | 51-29874Z01 | BD37068FV-ME2 -SE9      |
| MAIN-P.W.Board |     |       | <a href="#">IC303</a> | 51-30375Z01 | STPA003OD-4WX -ZS       |
| MAIN-P.W.Board |     |       | <a href="#">IC371</a> | 51-10945Z01 | CS4344-DZZR -SE2        |
| MAIN-P.W.Board |     |       | <a href="#">IC501</a> | 83-30860Z47 | 16Car_Fit_BT_HU_AE_Soft |
| MAIN-P.W.Board |     |       | <a href="#">IC501</a> | 51-27561Z01 | W25Q32FVSSIG -ST        |
| MAIN-P.W.Board |     |       | <a href="#">IC504</a> | 51-29908Z01 | BR24G512FJ-3AGT -SE2    |
| MAIN-P.W.Board |     |       | <a href="#">IC505</a> | 51-27561Z01 | W25Q32FVSSIG -ST        |
| MAIN-P.W.Board |     |       | <a href="#">IC506</a> | 51-30400Z01 | TMPM32BC2DFG-APN -QT    |
| MAIN-P.W.Board |     |       | <a href="#">IC507</a> | 51-23872Z01 | AK5701KN -LE2           |
| MAIN-P.W.Board |     |       | <a href="#">IC601</a> | 51-24902Z01 | TC35661IDBG -BE6        |
| MAIN-P.W.Board |     |       | <a href="#">IC801</a> | 51-20097Z02 | AN33012UB-VB -SE6       |
| MAIN-P.W.Board |     |       | <a href="#">IC802</a> | 51-23576Z01 | S-1172B1C-E6T1U -SE2    |
| MAIN-P.W.Board |     |       | <a href="#">IC803</a> | 51-13711Z02 | TB2920AHQ -ZS           |
| MAIN-P.W.Board |     |       | <a href="#">IC804</a> | 51-20765Z24 | S-1009N30H-M5T2U -CP    |
| MAIN-P.W.Board |     |       | <a href="#">IC806</a> | 51-25207Z01 | S-1172B33-U5T1U -NE2    |
| MAIN-P.W.Board |     |       | <a href="#">IC807</a> | 51-05862Z01 | NJM2845DL1-33-TE1NE5    |
| MAIN-P.W.Board |     |       | <a href="#">IC809</a> | 51-20765Z36 | S-1009N42H-M5T2U -CP    |
| MAIN-P.W.Board |     |       | <a href="#">IC810</a> | 51-30306Z01 | TPS61175PWP -SE2        |
| MAIN-P.W.Board |     |       | <a href="#">IC811</a> | 51-13565Z03 | NJM2856DL3-33TE1-NE5    |
| MAIN-P.W.Board |     |       | <a href="#">IC901</a> | 51-26850Z01 | MFI337S3959 -CP         |

| P.W.Board      | MIS   | MODEL | Ref.                  | Parts No.   | Parts Name           |
|----------------|---|-------|-----------------------|-------------|----------------------|
| MAIN-P.W.Board |   |       | <a href="#">IC902</a> | 51T93532F05 | TC4S01F-TE85L -CP    |
| MAIN-P.W.Board |   |       | <a href="#">IC903</a> | 51-11433Z01 | RT9702AGB -CP        |
| MAIN-P.W.Board |   |       | <a href="#">IC904</a> | 51-04637Z01 | TC74ACT04FT-EL -SE5  |
| MAIN-P.W.Board |  |       | <a href="#">JK300</a> | 09-25331Z01 | RCA,RJ-1346B09-0H0DB |
| MAIN-P.W.Board |  |       | <a href="#">JK901</a> | 09-14149Z01 | JAC,CK3-3.5-14D -DB  |
| MAIN-P.W.Board |   |       | <a href="#">L101</a>  | 24T95456W11 | FBI,BLM18AG601SH1-CP |
| MAIN-P.W.Board |   |       | <a href="#">L102</a>  | 24T95458W07 | FBI,BLM31PG601SH1-CP |
| MAIN-P.W.Board |   |       | <a href="#">L103</a>  | 24T95456W11 | FBI,BLM18AG601SH1-CP |
| MAIN-P.W.Board |   |       | <a href="#">L104</a>  | 24T95456W11 | FBI,BLM18AG601SH1-CP |
| MAIN-P.W.Board |   |       | <a href="#">L105</a>  | 24T95456W11 | FBI,BLM18AG601SH1-CP |
| MAIN-P.W.Board |   |       | <a href="#">L106</a>  | 24T45482Y05 | IND,LQH31HN R29J -CP |
| MAIN-P.W.Board |   |       | <a href="#">L107</a>  | 24T25164Y12 | IND,FSLM2520 R82J-CP |
| MAIN-P.W.Board |   |       | <a href="#">L108</a>  | 24T25164Y19 | IND,FSLM2520 3R3J-CP |
| MAIN-P.W.Board |   |       | <a href="#">L109</a>  | 24-09036Z11 | IND,LQW18AN R27J -CP |
| MAIN-P.W.Board |   |       | <a href="#">L110</a>  | 24T65645Y03 | IND,LLM3225 561K -CP |
| MAIN-P.W.Board |   |       | <a href="#">L111</a>  | 24T65645Y03 | IND,LLM3225 561K -CP |
| MAIN-P.W.Board |   |       | <a href="#">L112</a>  | 24T95459W07 | FBI,BLM41PG102SH1-E1 |
| MAIN-P.W.Board |   |       | <a href="#">L113</a>  | 24T95456W11 | FBI,BLM18AG601SH1-CP |
| MAIN-P.W.Board |   |       | <a href="#">L114</a>  | 24T65645Y01 | IND,LLM3225 4R7J -CP |
| MAIN-P.W.Board |   |       | <a href="#">L115</a>  | 24T95456W23 | FBI,BLM18BD252SH1-CP |
| MAIN-P.W.Board |   |       | <a href="#">L116</a>  | 24T95456W23 | FBI,BLM18BD252SH1-CP |
| MAIN-P.W.Board |   |       | <a href="#">L117</a>  | 24T95456W23 | FBI,BLM18BD252SH1-CP |
| MAIN-P.W.Board |   |       | <a href="#">L325</a>  | 24T95456W27 | FBI,BLM18PG181SH1-CP |
| MAIN-P.W.Board |   |       | <a href="#">L501</a>  | 24-06212Z13 | FBI,BLM15BB100SH1-CP |
| MAIN-P.W.Board |   |       | <a href="#">L502</a>  | 24-06212Z13 | FBI,BLM15BB100SH1-CP |
| MAIN-P.W.Board |   |       | <a href="#">L503</a>  | 24-06212Z07 | FBI,BLM15BD601SH1-CP |

| P.W.Board      | MIS | MODEL | Ref.                  | Parts No.   | Parts Name           |
|----------------|-----|-------|-----------------------|-------------|----------------------|
| MAIN-P.W.Board |     |       | <a href="#">L504</a>  | 24-06212Z11 | FBI,BLM15BD471SH1-CP |
| MAIN-P.W.Board |     |       | <a href="#">L505</a>  | 24-06212Z11 | FBI,BLM15BD471SH1-CP |
| MAIN-P.W.Board |     |       | <a href="#">L506</a>  | 24-06212Z11 | FBI,BLM15BD471SH1-CP |
| MAIN-P.W.Board |     |       | <a href="#">L507</a>  | 24-06212Z11 | FBI,BLM15BD471SH1-CP |
| MAIN-P.W.Board |     |       | <a href="#">L801</a>  | 24-25206Z01 | IND,SFCB1280T33RM-EA |
| MAIN-P.W.Board |     |       | <a href="#">L802</a>  | 24-22766Z07 | IND,LBC3225 33RK -CP |
| MAIN-P.W.Board |     |       | <a href="#">PS301</a> | 48-27319Z02 | POLY,SW1812L075/24E2 |
| MAIN-P.W.Board |     |       | <a href="#">PS901</a> | 48-27319Z01 | POLY,SW1812L150/24E2 |
| MAIN-P.W.Board |     |       | <a href="#">Q101</a>  | 48-20742Z01 | TR,BCX54 -E2         |
| MAIN-P.W.Board |     |       | <a href="#">Q300</a>  | 48T75180Y04 | TR,IMH23-T110 -CP    |
| MAIN-P.W.Board |     |       | <a href="#">Q301</a>  | 48T75180Y04 | TR,IMH23-T110 -CP    |
| MAIN-P.W.Board |     |       | <a href="#">Q302</a>  | 48-13000Z05 | TR,LTC124EUBFS8-TLCP |
| MAIN-P.W.Board |     |       | <a href="#">Q303</a>  | 48T75180Y04 | TR,IMH23-T110 -CP    |
| MAIN-P.W.Board |     |       | <a href="#">Q304</a>  | 48-04940Z01 | TR,KRA101S-RTK -CP   |
| MAIN-P.W.Board |     |       | <a href="#">Q305</a>  | 48T75180Y04 | TR,IMH23-T110 -CP    |
| MAIN-P.W.Board |     |       | <a href="#">Q306</a>  | 48-20093Z01 | TR,DMC561010R -CP    |
| MAIN-P.W.Board |     |       | <a href="#">Q307</a>  | 48T75180Y04 | TR,IMH23-T110 -CP    |
| MAIN-P.W.Board |     |       | <a href="#">Q308</a>  | 48-04929Z02 | TR,KRC102S-RTK -CP   |
| MAIN-P.W.Board |     |       | <a href="#">Q309</a>  | 48-04929Z03 | TR,KRC103S-RTK -CP   |
| MAIN-P.W.Board |     |       | <a href="#">Q310</a>  | 48T25737Y01 | TR,UMD2N-TR -CP      |
| MAIN-P.W.Board |     |       | <a href="#">Q311</a>  | 48T25737Y01 | TR,UMD2N-TR -CP      |
| MAIN-P.W.Board |     |       | <a href="#">Q312</a>  | 48-19949Z01 | TR,DRC5143X -CP      |
| MAIN-P.W.Board |     |       | <a href="#">Q801</a>  | 48T25737Y01 | TR,UMD2N-TR -CP      |
| MAIN-P.W.Board |     |       | <a href="#">Q802</a>  | 48-04929Z03 | TR,KRC103S-RTK -CP   |
| MAIN-P.W.Board |     |       | <a href="#">Q803</a>  | 48T25737Y01 | TR,UMD2N-TR -CP      |
| MAIN-P.W.Board |     |       | <a href="#">Q804</a>  | 48-09581Z04 | TR,KTA1505S-GRRTK-CP |

| P.W.Board      | MIS | MODEL | Ref.                 | Parts No.   | Parts Name           |
|----------------|-----|-------|----------------------|-------------|----------------------|
| MAIN-P.W.Board |     |       | <a href="#">Q805</a> | 48-20288Z01 | FET,MTM981400BBF -E2 |
| MAIN-P.W.Board |     |       | <a href="#">Q807</a> | 48-19949Z01 | TR,DRC5143X -CP      |
| MAIN-P.W.Board |     |       | <a href="#">Q808</a> | 48-09581Z04 | TR,KTA1505S-GRRTK-CP |
| MAIN-P.W.Board |     |       | <a href="#">Q809</a> | 48T25737Y01 | TR,UMD2N-TR -CP      |
| MAIN-P.W.Board |     |       | <a href="#">Q812</a> | 48-19949Z01 | TR,DRC5143X -CP      |
| MAIN-P.W.Board |     |       | <a href="#">Q901</a> | 48-09583Z04 | TR,KTA1504S-GRRTK-CP |
| MAIN-P.W.Board |     |       | <a href="#">Q902</a> | 48-09583Z04 | TR,KTA1504S-GRRTK-CP |
| MAIN-P.W.Board |     |       | <a href="#">Q903</a> | 48-13000Z01 | TR,LTC114EUBFS8-TLCP |
| MAIN-P.W.Board |     |       | <a href="#">Q904</a> | 48-19949Z01 | TR,DRC5143X -CP      |
| MAIN-P.W.Board |     |       | <a href="#">Q905</a> | 48T25737Y02 | TR,UMD3N-TR -CP      |
| MAIN-P.W.Board |     |       | <a href="#">Q906</a> | 48-13000Z05 | TR,LTC124EUBFS8-TLCP |
| MAIN-P.W.Board |     |       | <a href="#">R101</a> | 06S15615Y25 | RES,RK 101J 1/16 -CP |
| MAIN-P.W.Board |     |       | <a href="#">R104</a> | 06S15616Y14 | RES,RK 474J 1/16 -CP |
| MAIN-P.W.Board |     |       | <a href="#">R107</a> | 06S15615Y25 | RES,RK 101J 1/16 -CP |
| MAIN-P.W.Board |     |       | <a href="#">R109</a> | 06S15615Y25 | RES,RK 101J 1/16 -CP |
| MAIN-P.W.Board |     |       | <a href="#">R110</a> | 06S15615Y25 | RES,RK 101J 1/16 -CP |
| MAIN-P.W.Board |     |       | <a href="#">R111</a> | 06S15616Y28 | RES,RK 3R3J 1/16 -CP |
| MAIN-P.W.Board |     |       | <a href="#">R113</a> | 06S15615Y25 | RES,RK 101J 1/16 -CP |
| MAIN-P.W.Board |     |       | <a href="#">R121</a> | 06S15616Y23 | RES,RK JUMPER1/16-CP |
| MAIN-P.W.Board |     |       | <a href="#">R196</a> | 06S65415Y11 | RES,RK 68RF 1/16 -CP |
| MAIN-P.W.Board |     |       | <a href="#">R197</a> | 06S45348Y38 | RES,RK 474F 1/4 -CP  |
| MAIN-P.W.Board |     |       | <a href="#">R206</a> | 06S45348Y38 | RES,RK 474F 1/4 -CP  |
| MAIN-P.W.Board |     |       | <a href="#">R207</a> | 06S15615Y25 | RES,RK 101J 1/16 -CP |
| MAIN-P.W.Board |     |       | <a href="#">R219</a> | 06S45674W57 | RES,RK 102J 1/10 -CP |
| MAIN-P.W.Board |     |       | <a href="#">R220</a> | 06S45674W57 | RES,RK 102J 1/10 -CP |
| MAIN-P.W.Board |     |       | <a href="#">R221</a> | 06S45674W57 | RES,RK 102J 1/10 -CP |

| P.W.Board      | MIS | MODEL | Ref.                 | Parts No.   | Parts Name           |
|----------------|-----|-------|----------------------|-------------|----------------------|
| MAIN-P.W.Board |     |       | <a href="#">R222</a> | 06S15615Y25 | RES,RK 101J 1/16 -CP |
| MAIN-P.W.Board |     |       | <a href="#">R223</a> | 06S45674W73 | RES,RK 472J 1/10 -CP |
| MAIN-P.W.Board |     |       | <a href="#">R224</a> | 06S45674W73 | RES,RK 472J 1/10 -CP |
| MAIN-P.W.Board |     |       | <a href="#">R225</a> | 06S45674W57 | RES,RK 102J 1/10 -CP |
| MAIN-P.W.Board |     |       | <a href="#">R227</a> | 06S15615Y49 | RES,RK 102J 1/16 -CP |
| MAIN-P.W.Board |     |       | <a href="#">R228</a> | 06S15615Y49 | RES,RK 102J 1/16 -CP |
| MAIN-P.W.Board |     |       | <a href="#">R229</a> | 06S15615Y49 | RES,RK 102J 1/16 -CP |
| MAIN-P.W.Board |     |       | <a href="#">R230</a> | 06S15615Y49 | RES,RK 102J 1/16 -CP |
| MAIN-P.W.Board |     |       | <a href="#">R300</a> | 06S15593Y93 | RES,RK 683F 1/10 -CP |
| MAIN-P.W.Board |     |       | <a href="#">R301</a> | 06S70072F61 | RES,CP .222-J-1/4-CP |
| MAIN-P.W.Board |     |       | <a href="#">R302</a> | 06S15593Y93 | RES,RK 683F 1/10 -CP |
| MAIN-P.W.Board |     |       | <a href="#">R303</a> | 06S15593Y93 | RES,RK 683F 1/10 -CP |
| MAIN-P.W.Board |     |       | <a href="#">R304</a> | 06S45674W81 | RES,RK 103J 1/10 -CP |
| MAIN-P.W.Board |     |       | <a href="#">R305</a> | 06S70072F77 | RES,CP .103-J-1/4-CP |
| MAIN-P.W.Board |     |       | <a href="#">R306</a> | 06S15593Y93 | RES,RK 683F 1/10 -CP |
| MAIN-P.W.Board |     |       | <a href="#">R307</a> | 06S15615Y37 | RES,RK 331J 1/16 -CP |
| MAIN-P.W.Board |     |       | <a href="#">R308</a> | 06S15615Y37 | RES,RK 331J 1/16 -CP |
| MAIN-P.W.Board |     |       | <a href="#">R309</a> | 06S15593Y93 | RES,RK 683F 1/10 -CP |
| MAIN-P.W.Board |     |       | <a href="#">R310</a> | 06S15593Y93 | RES,RK 683F 1/10 -CP |
| MAIN-P.W.Board |     |       | <a href="#">R311</a> | 06S64995F37 | RES,RK 221J 1/8 -CP  |
| MAIN-P.W.Board |     |       | <a href="#">R312</a> | 06S64995F37 | RES,RK 221J 1/8 -CP  |
| MAIN-P.W.Board |     |       | <a href="#">R313</a> | 06S64995F37 | RES,RK 221J 1/8 -CP  |
| MAIN-P.W.Board |     |       | <a href="#">R314</a> | 06S64995F37 | RES,RK 221J 1/8 -CP  |
| MAIN-P.W.Board |     |       | <a href="#">R315</a> | 06S64995F37 | RES,RK 221J 1/8 -CP  |
| MAIN-P.W.Board |     |       | <a href="#">R316</a> | 06S64995F37 | RES,RK 221J 1/8 -CP  |
| MAIN-P.W.Board |     |       | <a href="#">R317</a> | 06S64995F29 | RES,RK 101J 1/8 -CP  |

| P.W.Board      | MIS | MODEL | Ref.                 | Parts No.   | Parts Name           |
|----------------|-----|-------|----------------------|-------------|----------------------|
| MAIN-P.W.Board |     |       | <a href="#">R318</a> | 06S45675W43 | RES,RK JUMPER1/10-CP |
| MAIN-P.W.Board |     |       | <a href="#">R319</a> | 06S64995F29 | RES,RK 101J 1/8 -CP  |
| MAIN-P.W.Board |     |       | <a href="#">R320</a> | 06S64995F29 | RES,RK 101J 1/8 -CP  |
| MAIN-P.W.Board |     |       | <a href="#">R321</a> | 06S64995F29 | RES,RK 101J 1/8 -CP  |
| MAIN-P.W.Board |     |       | <a href="#">R322</a> | 06S64995F29 | RES,RK 101J 1/8 -CP  |
| MAIN-P.W.Board |     |       | <a href="#">R323</a> | 06S64995F29 | RES,RK 101J 1/8 -CP  |
| MAIN-P.W.Board |     |       | <a href="#">R324</a> | 06S15593Y77 | RES,RK 153F 1/10 -CP |
| MAIN-P.W.Board |     |       | <a href="#">R325</a> | 06S70072F77 | RES,CP .103-J-1/4-CP |
| MAIN-P.W.Board |     |       | <a href="#">R326</a> | 06S45674W92 | RES,RK 303J 1/10 -CP |
| MAIN-P.W.Board |     |       | <a href="#">R327</a> | 06S15615Y73 | RES,RK 103J 1/16 -CP |
| MAIN-P.W.Board |     |       | <a href="#">R328</a> | 06S15615Y81 | RES,RK 223J 1/16 -CP |
| MAIN-P.W.Board |     |       | <a href="#">R329</a> | 06S45674W41 | RES,RK 221J 1/10 -CP |
| MAIN-P.W.Board |     |       | <a href="#">R330</a> | 06S45674W41 | RES,RK 221J 1/10 -CP |
| MAIN-P.W.Board |     |       | <a href="#">R331</a> | 06S45674W41 | RES,RK 221J 1/10 -CP |
| MAIN-P.W.Board |     |       | <a href="#">R332</a> | 06S45674W41 | RES,RK 221J 1/10 -CP |
| MAIN-P.W.Board |     |       | <a href="#">R337</a> | 06S70072F53 | RES,CP .102-J-1/4-CP |
| MAIN-P.W.Board |     |       | <a href="#">R338</a> | 06S15615Y25 | RES,RK 101J 1/16 -CP |
| MAIN-P.W.Board |     |       | <a href="#">R339</a> | 06S15615Y25 | RES,RK 101J 1/16 -CP |
| MAIN-P.W.Board |     |       | <a href="#">R340</a> | 06S15615Y25 | RES,RK 101J 1/16 -CP |
| MAIN-P.W.Board |     |       | <a href="#">R341</a> | 06S15615Y97 | RES,RK 104J 1/16 -CP |
| MAIN-P.W.Board |     |       | <a href="#">R342</a> | 06S15615Y25 | RES,RK 101J 1/16 -CP |
| MAIN-P.W.Board |     |       | <a href="#">R343</a> | 06S15615Y81 | RES,RK 223J 1/16 -CP |
| MAIN-P.W.Board |     |       | <a href="#">R344</a> | 06S15615Y73 | RES,RK 103J 1/16 -CP |
| MAIN-P.W.Board |     |       | <a href="#">R345</a> | 06S45674W41 | RES,RK 221J 1/10 -CP |
| MAIN-P.W.Board |     |       | <a href="#">R346</a> | 06S15615Y77 | RES,RK 153J 1/16 -CP |
| MAIN-P.W.Board |     |       | <a href="#">R347</a> | 06S15615Y73 | RES,RK 103J 1/16 -CP |

| P.W.Board      | MIS | MODEL | Ref.                 | Parts No.   | Parts Name           |
|----------------|-----|-------|----------------------|-------------|----------------------|
| MAIN-P.W.Board |     |       | <a href="#">R348</a> | 06S15615Y25 | RES,RK 101J 1/16 -CP |
| MAIN-P.W.Board |     |       | <a href="#">R349</a> | 06S45674W97 | RES,RK 473J 1/10 -CP |
| MAIN-P.W.Board |     |       | <a href="#">R350</a> | 06S70072F29 | RES,CP .101-J-1/4-CP |
| MAIN-P.W.Board |     |       | <a href="#">R351</a> | 06S15615Y73 | RES,RK 103J 1/16 -CP |
| MAIN-P.W.Board |     |       | <a href="#">R352</a> | 06S15615Y73 | RES,RK 103J 1/16 -CP |
| MAIN-P.W.Board |     |       | <a href="#">R353</a> | 06S15615Y81 | RES,RK 223J 1/16 -CP |
| MAIN-P.W.Board |     |       | <a href="#">R355</a> | 06S15615Y33 | RES,RK 221J 1/16 -CP |
| MAIN-P.W.Board |     |       | <a href="#">R356</a> | 06S15615Y33 | RES,RK 221J 1/16 -CP |
| MAIN-P.W.Board |     |       | <a href="#">R501</a> | 06S15615Y25 | RES,RK 101J 1/16 -CP |
| MAIN-P.W.Board |     |       | <a href="#">R503</a> | 06S45674W57 | RES,RK 102J 1/10 -CP |
| MAIN-P.W.Board |     |       | <a href="#">R504</a> | 06S45674W81 | RES,RK 103J 1/10 -CP |
| MAIN-P.W.Board |     |       | <a href="#">R505</a> | 06S70072F53 | RES,CP .102-J-1/4-CP |
| MAIN-P.W.Board |     |       | <a href="#">R506</a> | 06S15593Y73 | RES,RK 103F 1/10 -CP |
| MAIN-P.W.Board |     |       | <a href="#">R507</a> | 06S45674W57 | RES,RK 102J 1/10 -CP |
| MAIN-P.W.Board |     |       | <a href="#">R508</a> | 06S15615Y73 | RES,RK 103J 1/16 -CP |
| MAIN-P.W.Board |     |       | <a href="#">R509</a> | 06S15593Y73 | RES,RK 103F 1/10 -CP |
| MAIN-P.W.Board |     |       | <a href="#">R510</a> | 06S45674W57 | RES,RK 102J 1/10 -CP |
| MAIN-P.W.Board |     |       | <a href="#">R511</a> | 06S45674W57 | RES,RK 102J 1/10 -CP |
| MAIN-P.W.Board |     |       | <a href="#">R512</a> | 06S45674W57 | RES,RK 102J 1/10 -CP |
| MAIN-P.W.Board |     |       | <a href="#">R513</a> | 06S45674W57 | RES,RK 102J 1/10 -CP |
| MAIN-P.W.Board |     |       | <a href="#">R514</a> | 06S45674W57 | RES,RK 102J 1/10 -CP |
| MAIN-P.W.Board |     |       | <a href="#">R515</a> | 06S45675W43 | RES,RK JUMPER1/10-CP |
| MAIN-P.W.Board |     |       | <a href="#">R516</a> | 06S45674W89 | RES,RK 223J 1/10 -CP |
| MAIN-P.W.Board |     |       | <a href="#">R517</a> | 06S45674W57 | RES,RK 102J 1/10 -CP |
| MAIN-P.W.Board |     |       | <a href="#">R518</a> | 06S45675W43 | RES,RK JUMPER1/10-CP |
| MAIN-P.W.Board |     |       | <a href="#">R519</a> | 06S45674W57 | RES,RK 102J 1/10 -CP |

| P.W.Board      | MIS | MODEL | Ref.                 | Parts No.   | Parts Name           |
|----------------|-----|-------|----------------------|-------------|----------------------|
| MAIN-P.W.Board |     |       | <a href="#">R520</a> | 06S45675W43 | RES,RK JUMPER1/10-CP |
| MAIN-P.W.Board |     |       | <a href="#">R521</a> | 06S45674W89 | RES,RK 223J 1/10 -CP |
| MAIN-P.W.Board |     |       | <a href="#">R522</a> | 06S15615Y89 | RES,RK 473J 1/16 -CP |
| MAIN-P.W.Board |     |       | <a href="#">R523</a> | 06S45674W81 | RES,RK 103J 1/10 -CP |
| MAIN-P.W.Board |     |       | <a href="#">R524</a> | 06S15615Y37 | RES,RK 331J 1/16 -CP |
| MAIN-P.W.Board |     |       | <a href="#">R525</a> | 06S15615Y49 | RES,RK 102J 1/16 -CP |
| MAIN-P.W.Board |     |       | <a href="#">R526</a> | 06S15615Y68 | RES,RK 622J 1/16 -CP |
| MAIN-P.W.Board |     |       | <a href="#">R528</a> | 06S45675W43 | RES,RK JUMPER1/10-CP |
| MAIN-P.W.Board |     |       | <a href="#">R533</a> | 06S15615Y77 | RES,RK 153J 1/16 -CP |
| MAIN-P.W.Board |     |       | <a href="#">R534</a> | 06S15615Y77 | RES,RK 153J 1/16 -CP |
| MAIN-P.W.Board |     |       | <a href="#">R535</a> | 06S65415Y09 | RES,RK 47RF 1/16 -CP |
| MAIN-P.W.Board |     |       | <a href="#">R536</a> | 06S65415Y09 | RES,RK 47RF 1/16 -CP |
| MAIN-P.W.Board |     |       | <a href="#">R539</a> | 06S45674W89 | RES,RK 223J 1/10 -CP |
| MAIN-P.W.Board |     |       | <a href="#">R540</a> | 06S15615Y89 | RES,RK 473J 1/16 -CP |
| MAIN-P.W.Board |     |       | <a href="#">R541</a> | 06S15615Y81 | RES,RK 223J 1/16 -CP |
| MAIN-P.W.Board |     |       | <a href="#">R542</a> | 06S15616Y23 | RES,RK JUMPER1/16-CP |
| MAIN-P.W.Board |     |       | <a href="#">R543</a> | 06S45674W89 | RES,RK 223J 1/10 -CP |
| MAIN-P.W.Board |     |       | <a href="#">R544</a> | 06S15615Y89 | RES,RK 473J 1/16 -CP |
| MAIN-P.W.Board |     |       | <a href="#">R545</a> | 06S15615Y37 | RES,RK 331J 1/16 -CP |
| MAIN-P.W.Board |     |       | <a href="#">R547</a> | 06S15615Y33 | RES,RK 221J 1/16 -CP |
| MAIN-P.W.Board |     |       | <a href="#">R548</a> | 06S15615Y37 | RES,RK 331J 1/16 -CP |
| MAIN-P.W.Board |     |       | <a href="#">R549</a> | 06S15615Y25 | RES,RK 101J 1/16 -CP |
| MAIN-P.W.Board |     |       | <a href="#">R550</a> | 06S15615Y89 | RES,RK 473J 1/16 -CP |
| MAIN-P.W.Board |     |       | <a href="#">R552</a> | 06S15615Y37 | RES,RK 331J 1/16 -CP |
| MAIN-P.W.Board |     |       | <a href="#">R553</a> | 06S15615Y34 | RES,RK 241J 1/16 -CP |
| MAIN-P.W.Board |     |       | <a href="#">R554</a> | 06S15615Y25 | RES,RK 101J 1/16 -CP |

| P.W.Board      | MIS | MODEL | Ref.                 | Parts No.   | Parts Name           |
|----------------|-----|-------|----------------------|-------------|----------------------|
| MAIN-P.W.Board |     |       | <a href="#">R555</a> | 06S15615Y49 | RES,RK 102J 1/16 -CP |
| MAIN-P.W.Board |     |       | <a href="#">R558</a> | 06S45674W81 | RES,RK 103J 1/10 -CP |
| MAIN-P.W.Board |     |       | <a href="#">R559</a> | 06S15615Y25 | RES,RK 101J 1/16 -CP |
| MAIN-P.W.Board |     |       | <a href="#">R560</a> | 06S15615Y25 | RES,RK 101J 1/16 -CP |
| MAIN-P.W.Board |     |       | <a href="#">R561</a> | 06S15615Y73 | RES,RK 103J 1/16 -CP |
| MAIN-P.W.Board |     |       | <a href="#">R563</a> | 06S45674W81 | RES,RK 103J 1/10 -CP |
| MAIN-P.W.Board |     |       | <a href="#">R564</a> | 06S15615Y25 | RES,RK 101J 1/16 -CP |
| MAIN-P.W.Board |     |       | <a href="#">R568</a> | 06S45674W81 | RES,RK 103J 1/10 -CP |
| MAIN-P.W.Board |     |       | <a href="#">R569</a> | 06S45674W81 | RES,RK 103J 1/10 -CP |
| MAIN-P.W.Board |     |       | <a href="#">R571</a> | 06S15615Y25 | RES,RK 101J 1/16 -CP |
| MAIN-P.W.Board |     |       | <a href="#">R572</a> | 06S45674W81 | RES,RK 103J 1/10 -CP |
| MAIN-P.W.Board |     |       | <a href="#">R573</a> | 06S45674W81 | RES,RK 103J 1/10 -CP |
| MAIN-P.W.Board |     |       | <a href="#">R574</a> | 06S64996F26 | RES,RK 105J 1/8 -CP  |
| MAIN-P.W.Board |     |       | <a href="#">R577</a> | 06S15615Y59 | RES,RK 272J 1/16 -CP |
| MAIN-P.W.Board |     |       | <a href="#">R578</a> | 06S15615Y59 | RES,RK 272J 1/16 -CP |
| MAIN-P.W.Board |     |       | <a href="#">R579</a> | 06S15615Y25 | RES,RK 101J 1/16 -CP |
| MAIN-P.W.Board |     |       | <a href="#">R580</a> | 06S15615Y25 | RES,RK 101J 1/16 -CP |
| MAIN-P.W.Board |     |       | <a href="#">R581</a> | 06S15615Y59 | RES,RK 272J 1/16 -CP |
| MAIN-P.W.Board |     |       | <a href="#">R582</a> | 06S15615Y59 | RES,RK 272J 1/16 -CP |
| MAIN-P.W.Board |     |       | <a href="#">R583</a> | 06S15615Y73 | RES,RK 103J 1/16 -CP |
| MAIN-P.W.Board |     |       | <a href="#">R584</a> | 06S15615Y25 | RES,RK 101J 1/16 -CP |
| MAIN-P.W.Board |     |       | <a href="#">R585</a> | 06S15615Y25 | RES,RK 101J 1/16 -CP |
| MAIN-P.W.Board |     |       | <a href="#">R586</a> | 06S15615Y73 | RES,RK 103J 1/16 -CP |
| MAIN-P.W.Board |     |       | <a href="#">R587</a> | 06S15615Y73 | RES,RK 103J 1/16 -CP |
| MAIN-P.W.Board |     |       | <a href="#">R588</a> | 06S15615Y73 | RES,RK 103J 1/16 -CP |
| MAIN-P.W.Board |     |       | <a href="#">R589</a> | 06S15616Y23 | RES,RK JUMPER1/16-CP |

| P.W.Board      | MIS | MODEL | Ref.                 | Parts No.   | Parts Name           |
|----------------|-----|-------|----------------------|-------------|----------------------|
| MAIN-P.W.Board |     |       | <a href="#">R590</a> | 06S15615Y73 | RES,RK 103J 1/16 -CP |
| MAIN-P.W.Board |     |       | <a href="#">R591</a> | 06S45674W57 | RES,RK 102J 1/10 -CP |
| MAIN-P.W.Board |     |       | <a href="#">R592</a> | 06S15593Y41 | RES,RK 471F 1/10 -CP |
| MAIN-P.W.Board |     |       | <a href="#">R593</a> | 06S15615Y73 | RES,RK 103J 1/16 -CP |
| MAIN-P.W.Board |     |       | <a href="#">R594</a> | 06S15615Y73 | RES,RK 103J 1/16 -CP |
| MAIN-P.W.Board |     |       | <a href="#">R595</a> | 06S15615Y73 | RES,RK 103J 1/16 -CP |
| MAIN-P.W.Board |     |       | <a href="#">R596</a> | 06S15615Y73 | RES,RK 103J 1/16 -CP |
| MAIN-P.W.Board |     |       | <a href="#">R597</a> | 06S15615Y81 | RES,RK 223J 1/16 -CP |
| MAIN-P.W.Board |     |       | <a href="#">R598</a> | 06S15615Y81 | RES,RK 223J 1/16 -CP |
| MAIN-P.W.Board |     |       | <a href="#">R599</a> | 06S15615Y25 | RES,RK 101J 1/16 -CP |
| MAIN-P.W.Board |     |       | <a href="#">R600</a> | 06S15615Y89 | RES,RK 473J 1/16 -CP |
| MAIN-P.W.Board |     |       | <a href="#">R601</a> | 06S15615Y25 | RES,RK 101J 1/16 -CP |
| MAIN-P.W.Board |     |       | <a href="#">R602</a> | 06S15615Y89 | RES,RK 473J 1/16 -CP |
| MAIN-P.W.Board |     |       | <a href="#">R603</a> | 06S15615Y89 | RES,RK 473J 1/16 -CP |
| MAIN-P.W.Board |     |       | <a href="#">R604</a> | 06S15615Y53 | RES,RK 152J 1/16 -CP |
| MAIN-P.W.Board |     |       | <a href="#">R605</a> | 06S64996F26 | RES,RK 105J 1/8 -CP  |
| MAIN-P.W.Board |     |       | <a href="#">R606</a> | 06S15616Y23 | RES,RK JUMPER1/16-CP |
| MAIN-P.W.Board |     |       | <a href="#">R607</a> | 06S15616Y23 | RES,RK JUMPER1/16-CP |
| MAIN-P.W.Board |     |       | <a href="#">R608</a> | 06S15616Y23 | RES,RK JUMPER1/16-CP |
| MAIN-P.W.Board |     |       | <a href="#">R610</a> | 06S15615Y73 | RES,RK 103J 1/16 -CP |
| MAIN-P.W.Board |     |       | <a href="#">R611</a> | 06S15615Y73 | RES,RK 103J 1/16 -CP |
| MAIN-P.W.Board |     |       | <a href="#">R612</a> | 06S15615Y25 | RES,RK 101J 1/16 -CP |
| MAIN-P.W.Board |     |       | <a href="#">R613</a> | 06S15615Y25 | RES,RK 101J 1/16 -CP |
| MAIN-P.W.Board |     |       | <a href="#">R614</a> | 06S15615Y73 | RES,RK 103J 1/16 -CP |
| MAIN-P.W.Board |     |       | <a href="#">R618</a> | 06S15615Y25 | RES,RK 101J 1/16 -CP |
| MAIN-P.W.Board |     |       | <a href="#">R620</a> | 06S45675W43 | RES,RK JUMPER1/10-CP |

| P.W.Board      | MIS | MODEL | Ref.                 | Parts No.   | Parts Name           |
|----------------|-----|-------|----------------------|-------------|----------------------|
| MAIN-P.W.Board |     |       | <a href="#">R621</a> | 06S45675W43 | RES,RK JUMPER1/10-CP |
| MAIN-P.W.Board |     |       | <a href="#">R622</a> | 06S15616Y23 | RES,RK JUMPER1/16-CP |
| MAIN-P.W.Board |     |       | <a href="#">R623</a> | 06S15616Y23 | RES,RK JUMPER1/16-CP |
| MAIN-P.W.Board |     |       | <a href="#">R624</a> | 06S15616Y23 | RES,RK JUMPER1/16-CP |
| MAIN-P.W.Board |     |       | <a href="#">R625</a> | 06S15616Y23 | RES,RK JUMPER1/16-CP |
| MAIN-P.W.Board |     |       | <a href="#">R626</a> | 06S15616Y23 | RES,RK JUMPER1/16-CP |
| MAIN-P.W.Board |     |       | <a href="#">R627</a> | 06S15616Y23 | RES,RK JUMPER1/16-CP |
| MAIN-P.W.Board |     |       | <a href="#">R633</a> | 06S15615Y25 | RES,RK 101J 1/16 -CP |
| MAIN-P.W.Board |     |       | <a href="#">R634</a> | 06S15616Y23 | RES,RK JUMPER1/16-CP |
| MAIN-P.W.Board |     |       | <a href="#">R635</a> | 06S15616Y23 | RES,RK JUMPER1/16-CP |
| MAIN-P.W.Board |     |       | <a href="#">R636</a> | 06S15615Y33 | RES,RK 221J 1/16 -CP |
| MAIN-P.W.Board |     |       | <a href="#">R637</a> | 06S15616Y23 | RES,RK JUMPER1/16-CP |
| MAIN-P.W.Board |     |       | <a href="#">R638</a> | 06S15615Y33 | RES,RK 221J 1/16 -CP |
| MAIN-P.W.Board |     |       | <a href="#">R639</a> | 06S15615Y33 | RES,RK 221J 1/16 -CP |
| MAIN-P.W.Board |     |       | <a href="#">R640</a> | 06S15616Y23 | RES,RK JUMPER1/16-CP |
| MAIN-P.W.Board |     |       | <a href="#">R642</a> | 06S15616Y23 | RES,RK JUMPER1/16-CP |
| MAIN-P.W.Board |     |       | <a href="#">R643</a> | 06S15615Y97 | RES,RK 104J 1/16 -CP |
| MAIN-P.W.Board |     |       | <a href="#">R644</a> | 06S15615Y25 | RES,RK 101J 1/16 -CP |
| MAIN-P.W.Board |     |       | <a href="#">R645</a> | 06S15615Y25 | RES,RK 101J 1/16 -CP |
| MAIN-P.W.Board |     |       | <a href="#">R646</a> | 06S70072F53 | RES,CP .102-J-1/4-CP |
| MAIN-P.W.Board |     |       | <a href="#">R647</a> | 06S15615Y25 | RES,RK 101J 1/16 -CP |
| MAIN-P.W.Board |     |       | <a href="#">R648</a> | 06S15615Y25 | RES,RK 101J 1/16 -CP |
| MAIN-P.W.Board |     |       | <a href="#">R649</a> | 06S15615Y25 | RES,RK 101J 1/16 -CP |
| MAIN-P.W.Board |     |       | <a href="#">R650</a> | 06S15615Y25 | RES,RK 101J 1/16 -CP |
| MAIN-P.W.Board |     |       | <a href="#">R651</a> | 06S15615Y25 | RES,RK 101J 1/16 -CP |
| MAIN-P.W.Board |     |       | <a href="#">R652</a> | 06S15615Y25 | RES,RK 101J 1/16 -CP |




| P.W.Board      | MIS | MODEL | Ref.                 | Parts No.   | Parts Name           |
|----------------|-----|-------|----------------------|-------------|----------------------|
| MAIN-P.W.Board |     |       | <a href="#">R653</a> | 06S15615Y25 | RES,RK 101J 1/16 -CP |
| MAIN-P.W.Board |     |       | <a href="#">R655</a> | 06S15616Y23 | RES,RK JUMPER1/16-CP |
| MAIN-P.W.Board |     |       | <a href="#">R658</a> | 06S15615Y25 | RES,RK 101J 1/16 -CP |
| MAIN-P.W.Board |     |       | <a href="#">R659</a> | 06S15615Y25 | RES,RK 101J 1/16 -CP |
| MAIN-P.W.Board |     |       | <a href="#">R660</a> | 06S45674W81 | RES,RK 103J 1/10 -CP |
| MAIN-P.W.Board |     |       | <a href="#">R661</a> | 06S45674W57 | RES,RK 102J 1/10 -CP |
| MAIN-P.W.Board |     |       | <a href="#">R662</a> | 06S45674W97 | RES,RK 473J 1/10 -CP |
| MAIN-P.W.Board |     |       | <a href="#">R663</a> | 06S15615Y33 | RES,RK 221J 1/16 -CP |
| MAIN-P.W.Board |     |       | <a href="#">R664</a> | 06S15615Y33 | RES,RK 221J 1/16 -CP |
| MAIN-P.W.Board |     |       | <a href="#">R665</a> | 06S15615Y33 | RES,RK 221J 1/16 -CP |
| MAIN-P.W.Board |     |       | <a href="#">R666</a> | 06S15615Y33 | RES,RK 221J 1/16 -CP |
| MAIN-P.W.Board |     |       | <a href="#">R667</a> | 06S15615Y89 | RES,RK 473J 1/16 -CP |
| MAIN-P.W.Board |     |       | <a href="#">R685</a> | 06S15616Y23 | RES,RK JUMPER1/16-CP |
| MAIN-P.W.Board |     |       | <a href="#">R800</a> | 06S45674W81 | RES,RK 103J 1/10 -CP |
| MAIN-P.W.Board |     |       | <a href="#">R801</a> | 06S45674W81 | RES,RK 103J 1/10 -CP |
| MAIN-P.W.Board |     |       | <a href="#">R802</a> | 06S15593Y90 | RES,RK 513F 1/10 -CP |
| MAIN-P.W.Board |     |       | <a href="#">R804</a> | 06S15615Y25 | RES,RK 101J 1/16 -CP |
| MAIN-P.W.Board |     |       | <a href="#">R805</a> | 06S15616Y06 | RES,RK 224J 1/16 -CP |
| MAIN-P.W.Board |     |       | <a href="#">R806</a> | 06S15593Y76 | RES,RK 133F 1/10 -CP |
| MAIN-P.W.Board |     |       | <a href="#">R807</a> | 06S45675W06 | RES,RK 104J 1/10 -CP |
| MAIN-P.W.Board |     |       | <a href="#">R808</a> | 06S65415Y51 | RES,RK 154F 1/16 -CP |
| MAIN-P.W.Board |     |       | <a href="#">R809</a> | 06S70072F60 | RES,CP .202-J-1/4-CP |
| MAIN-P.W.Board |     |       | <a href="#">R810</a> | 06S15615Y61 | RES,RK 332J 1/16 -CP |
| MAIN-P.W.Board |     |       | <a href="#">R811</a> | 06-25919Z06 | RES,RK 203F 1/16 -CP |
| MAIN-P.W.Board |     |       | <a href="#">R814</a> | 06S35084Y47 | RES,RK 683F 1/8 -CP  |
| MAIN-P.W.Board |     |       | <a href="#">R815</a> | 06S65415Y47 | RES,RK 683F 1/16 -CP |

| P.W.Board      | MIS | MODEL | Ref.                 | Parts No.   | Parts Name           |
|----------------|-----|-------|----------------------|-------------|----------------------|
| MAIN-P.W.Board |     |       | <a href="#">R816</a> | 06S15615Y68 | RES,RK 622J 1/16 -CP |
| MAIN-P.W.Board |     |       | <a href="#">R817</a> | 06S70072F37 | RES,CP .221-J-1/4-CP |
| MAIN-P.W.Board |     |       | <a href="#">R818</a> | 06S65415Y40 | RES,RK 183F 1/16 -CP |
| MAIN-P.W.Board |     |       | <a href="#">R819</a> | 06S65415Y50 | RES,RK 124F 1/16 -CP |
| MAIN-P.W.Board |     |       | <a href="#">R820</a> | 06S65415Y43 | RES,RK 333F 1/16 -CP |
| MAIN-P.W.Board |     |       | <a href="#">R821</a> | 06S70072F77 | RES,CP .103-J-1/4-CP |
| MAIN-P.W.Board |     |       | <a href="#">R822</a> | 06S35083Y41 | RES,RK 223F 1/4 -CP  |
| MAIN-P.W.Board |     |       | <a href="#">R823</a> | 06S15615Y59 | RES,RK 272J 1/16 -CP |
| MAIN-P.W.Board |     |       | <a href="#">R824</a> | 06S35083Y41 | RES,RK 223F 1/4 -CP  |
| MAIN-P.W.Board |     |       | <a href="#">R825</a> | 06S15593Y77 | RES,RK 153F 1/10 -CP |
| MAIN-P.W.Board |     |       | <a href="#">R826</a> | 06S35083Y44 | RES,RK 393F 1/4 -CP  |
| MAIN-P.W.Board |     |       | <a href="#">R827</a> | 06S70072F37 | RES,CP .221-J-1/4-CP |
| MAIN-P.W.Board |     |       | <a href="#">R829</a> | 06S15615Y37 | RES,RK 331J 1/16 -CP |
| MAIN-P.W.Board |     |       | <a href="#">R830</a> | 06S45674W90 | RES,RK 243J 1/10 -CP |
| MAIN-P.W.Board |     |       | <a href="#">R831</a> | 06S70072F60 | RES,CP .202-J-1/4-CP |
| MAIN-P.W.Board |     |       | <a href="#">R832</a> | 06S15616Y23 | RES,RK JUMPER1/16-CP |
| MAIN-P.W.Board |     |       | <a href="#">R833</a> | 06S15615Y49 | RES,RK 102J 1/16 -CP |
| MAIN-P.W.Board |     |       | <a href="#">R834</a> | 06S70072F77 | RES,CP .103-J-1/4-CP |
| MAIN-P.W.Board |     |       | <a href="#">R835</a> | 06-25919Z06 | RES,RK 203F 1/16 -CP |
| MAIN-P.W.Board |     |       | <a href="#">R836</a> | 06S65415Y51 | RES,RK 154F 1/16 -CP |
| MAIN-P.W.Board |     |       | <a href="#">R837</a> | 06S15615Y54 | RES,RK 162J 1/16 -CP |
| MAIN-P.W.Board |     |       | <a href="#">R838</a> | 06S15615Y75 | RES,RK 123J 1/16 -CP |
| MAIN-P.W.Board |     |       | <a href="#">R839</a> | 06S15593Y90 | RES,RK 513F 1/10 -CP |
| MAIN-P.W.Board |     |       | <a href="#">R841</a> | 06S15615Y57 | RES,RK 222J 1/16 -CP |
| MAIN-P.W.Board |     |       | <a href="#">R842</a> | 06S45674W61 | RES,RK 152J 1/10 -CP |
| MAIN-P.W.Board |     |       | <a href="#">R845</a> | 06S35083Y34 | RES,RK 562F 1/4 -CP  |

| P.W.Board      | MIS | MODEL | Ref.                 | Parts No.   | Parts Name           |
|----------------|-----|-------|----------------------|-------------|----------------------|
| MAIN-P.W.Board |     |       | <a href="#">R846</a> | 06S15615Y87 | RES,RK 393J 1/16 -CP |
| MAIN-P.W.Board |     |       | <a href="#">R847</a> | 06S35083Y45 | RES,RK 473F 1/4 -CP  |
| MAIN-P.W.Board |     |       | <a href="#">R848</a> | 06S70072F69 | RES,CP .472-J-1/4-CP |
| MAIN-P.W.Board |     |       | <a href="#">R849</a> | 06S15615Y66 | RES,RK 512J 1/16 -CP |
| MAIN-P.W.Board |     |       | <a href="#">R850</a> | 06S15615Y98 | RES,RK 114J 1/16 -CP |
| MAIN-P.W.Board |     |       | <a href="#">R851</a> | 06S15615Y69 | RES,RK 682J 1/16 -CP |
| MAIN-P.W.Board |     |       | <a href="#">R852</a> | 06S15616Y13 | RES,RK 434J 1/16 -CP |
| MAIN-P.W.Board |     |       | <a href="#">R854</a> | 06S45675W43 | RES,RK JUMPER1/10-CP |
| MAIN-P.W.Board |     |       | <a href="#">R857</a> | 06S45674W90 | RES,RK 243J 1/10 -CP |
| MAIN-P.W.Board |     |       | <a href="#">R858</a> | 06S15616Y11 | RES,RK 364J 1/16 -CP |
| MAIN-P.W.Board |     |       | <a href="#">R859</a> | 06S15593Y90 | RES,RK 513F 1/10 -CP |
| MAIN-P.W.Board |     |       | <a href="#">R862</a> | 06S15615Y71 | RES,RK 822J 1/16 -CP |
| MAIN-P.W.Board |     |       | <a href="#">R863</a> | 06S45675W43 | RES,RK JUMPER1/10-CP |
| MAIN-P.W.Board |     |       | <a href="#">R865</a> | 06S15615Y89 | RES,RK 473J 1/16 -CP |
| MAIN-P.W.Board |     |       | <a href="#">R866</a> | 06S15615Y66 | RES,RK 512J 1/16 -CP |
| MAIN-P.W.Board |     |       | <a href="#">R867</a> | 06S15615Y98 | RES,RK 114J 1/16 -CP |
| MAIN-P.W.Board |     |       | <a href="#">R901</a> | 06S15615Y57 | RES,RK 222J 1/16 -CP |
| MAIN-P.W.Board |     |       | <a href="#">R902</a> | 06S15615Y57 | RES,RK 222J 1/16 -CP |
| MAIN-P.W.Board |     |       | <a href="#">R903</a> | 06S15615Y25 | RES,RK 101J 1/16 -CP |
| MAIN-P.W.Board |     |       | <a href="#">R904</a> | 06S15615Y49 | RES,RK 102J 1/16 -CP |
| MAIN-P.W.Board |     |       | <a href="#">R905</a> | 06S15615Y25 | RES,RK 101J 1/16 -CP |
| MAIN-P.W.Board |     |       | <a href="#">R907</a> | 06S15615Y25 | RES,RK 101J 1/16 -CP |
| MAIN-P.W.Board |     |       | <a href="#">R908</a> | 06S15615Y49 | RES,RK 102J 1/16 -CP |
| MAIN-P.W.Board |     |       | <a href="#">R909</a> | 06S65415Y11 | RES,RK 68RF 1/16 -CP |
| MAIN-P.W.Board |     |       | <a href="#">R911</a> | 06S64996F26 | RES,RK 105J 1/8 -CP  |
| MAIN-P.W.Board |     |       | <a href="#">R912</a> | 06S45674W89 | RES,RK 223J 1/10 -CP |

| P.W.Board      | MIS   | MODEL | Ref.                  | Parts No.   | Parts Name           |
|----------------|---|-------|-----------------------|-------------|----------------------|
| MAIN-P.W.Board |   |       | <a href="#">R913</a>  | 06S70072F29 | RES,CP .101-J-1/4-CP |
| MAIN-P.W.Board |   |       | <a href="#">R914</a>  | 06S15615Y57 | RES,RK 222J 1/16 -CP |
| MAIN-P.W.Board |   |       | <a href="#">R915</a>  | 06S45674W69 | RES,RK 332J 1/10 -CP |
| MAIN-P.W.Board |   |       | <a href="#">R916</a>  | 06S45674W89 | RES,RK 223J 1/10 -CP |
| MAIN-P.W.Board |   |       | <a href="#">R917</a>  | 06S45674W57 | RES,RK 102J 1/10 -CP |
| MAIN-P.W.Board |   |       | <a href="#">R919</a>  | 06S45674W97 | RES,RK 473J 1/10 -CP |
| MAIN-P.W.Board |   |       | <a href="#">R920</a>  | 06S45674W97 | RES,RK 473J 1/10 -CP |
| MAIN-P.W.Board |   |       | <a href="#">R921</a>  | 06S45674W97 | RES,RK 473J 1/10 -CP |
| MAIN-P.W.Board |   |       | <a href="#">R922</a>  | 06S35083Y25 | RES,RK 102F 1/4 -CP  |
| MAIN-P.W.Board |   |       | <a href="#">R923</a>  | 06S35083Y25 | RES,RK 102F 1/4 -CP  |
| MAIN-P.W.Board |   |       | <a href="#">R924</a>  | 06S45674W97 | RES,RK 473J 1/10 -CP |
| MAIN-P.W.Board |   |       | <a href="#">R925</a>  | 06S35083Y25 | RES,RK 102F 1/4 -CP  |
| MAIN-P.W.Board |   |       | <a href="#">R926</a>  | 06S35095Y08 | RES,RK JUMPER 1/4-CP |
| MAIN-P.W.Board |   |       | <a href="#">R927</a>  | 06S35095Y08 | RES,RK JUMPER 1/4-CP |
| MAIN-P.W.Board |   |       | <a href="#">R928</a>  | 06S35095Y08 | RES,RK JUMPER 1/4-CP |
| MAIN-P.W.Board |   |       | <a href="#">R933</a>  | 06S70072F61 | RES,CP .222-J-1/4-CP |
| MAIN-P.W.Board |   |       | <a href="#">R934</a>  | 06S45674W89 | RES,RK 223J 1/10 -CP |
| MAIN-P.W.Board |   |       | <a href="#">RA502</a> | 06S15771Y13 | RES,ARYEXB28V101J-CP |
| MAIN-P.W.Board |   |       | <a href="#">SA101</a> | 08-19391Z01 | VST,IMSA-6803-01Y-CP |
| MAIN-P.W.Board |   |       | <a href="#">SD801</a> | 48-19296Z01 | DIO,SHT RB056L-40-E1 |
| MAIN-P.W.Board |   |       | <a href="#">SD802</a> | 48-16033Z01 | DIOSHT PMEG4010CEJCP |
| MAIN-P.W.Board |   |       | <a href="#">SF601</a> | 91-25003Z01 | SAW,B39242B3912U -E1 |
| MAIN-P.W.Board |  |       | <a href="#">SW501</a> | 40T16096W03 | SW ,TACT SKHHLW      |
| MAIN-P.W.Board |   |       | <a href="#">T302</a>  | 25-27559Z01 | CHOKE,DGJ-A01 -DB    |
| MAIN-P.W.Board |   |       | <a href="#">VR801</a> | 18-12468Z11 | VAR,EVM2NSX80 224-CP |
| MAIN-P.W.Board |   |       | <a href="#">VT101</a> | 24-28469Z01 | COIL,RF FM 5CCEG -E6 |


| P.W.Board       | MIS | MODEL | Ref.                  | Parts No.   | Parts Name           |
|-----------------|-----|-------|-----------------------|-------------|----------------------|
| MAIN-P.W.Board  |     |       | <a href="#">XL101</a> | 91-26661Z22 | XTL,NX3225SAAG62NSCP |
| MAIN-P.W.Board  |     |       | <a href="#">XL502</a> | 91-15988Z02 | XTL,NX3225GA 12.0-CP |
| MAIN-P.W.Board  |     |       | <a href="#">XL601</a> | 91-17642Z25 | XTL,NX3225SA 26NS-CP |
| MAIN-P.W.Board  |     |       | <a href="#">Z502</a>  | 91T75196Y01 | EMI,BK1005HM102 -CP  |
| MAIN-P.W.Board  |     |       | <a href="#">Z503</a>  | 91T15509Y08 | EMI,BK1608HM102 -CP  |
| MAIN-P.W.Board  |     |       | <a href="#">Z504</a>  | 91T15509Y08 | EMI,BK1608HM102 -CP  |
| MAIN-P.W.Board  |     |       | <a href="#">Z505</a>  | 91T15509Y08 | EMI,BK1608HM102 -CP  |
| MAIN-P.W.Board  |     |       | <a href="#">Z506</a>  | 91T15509Y08 | EMI,BK1608HM102 -CP  |
| MAIN-P.W.Board  |     |       | <a href="#">Z507</a>  | 91T15509Y08 | EMI,BK1608HM102 -CP  |
| MAIN-P.W.Board  |     |       | <a href="#">Z508</a>  | 91T15509Y08 | EMI,BK1608HM102 -CP  |
| MAIN-P.W.Board  |     |       | <a href="#">Z509</a>  | 91T75196Y01 | EMI,BK1005HM102 -CP  |
| MAIN-P.W.Board  |     |       | <a href="#">ZD501</a> | 48-18196Z02 | DIO,ZEN DZ2S051M0LCP |
| MAIN-P.W.Board  |     |       | <a href="#">ZD502</a> | 48-18196Z02 | DIO,ZEN DZ2S051M0LCP |
| MAIN-P.W.Board  |     |       | <a href="#">ZD503</a> | 48-21149Z19 | DIO,ZEN DZ2J051L0LCP |
| MAIN-P.W.Board  |     |       | <a href="#">ZD801</a> | 48-07043Z37 | DIO,ZEN KDZ11V -CP   |
| MAIN-P.W.Board  |     |       | <a href="#">ZD802</a> | 48-21149Z26 | DIO,ZEN DZ2J062M0LCP |
| MAIN-P.W.Board  |     |       | <a href="#">ZD803</a> | 48-01607Z08 | DIO,ZEN LUDZ3.9B -CP |
| MAIN-P.W.Board  |     |       | <a href="#">ZD901</a> | 48-21149Z23 | DIO,ZEN DZ2J056M0LCP |
| MAIN-P.W.Board  |     |       | <a href="#">ZD902</a> | 48-21149Z23 | DIO,ZEN DZ2J056M0LCP |
| MAIN-P.W.Board  |     |       | <a href="#">ZD903</a> | 48-21149Z23 | DIO,ZEN DZ2J056M0LCP |
| FRONT-P.W.Board |     |       | <a href="#">C403</a>  | 08S45676W65 | CAP,CER.222K-B1H -CP |
| FRONT-P.W.Board |     |       | <a href="#">C404</a>  | 08S45676W89 | CAP,CER 473K-B1E -CP |
| FRONT-P.W.Board |     |       | <a href="#">C405</a>  | 08S45676W89 | CAP,CER 473K-B1E -CP |
| FRONT-P.W.Board |     |       | <a href="#">C407</a>  | 08S45232Y05 | CAP,CER 102K-B1H -CP |
| FRONT-P.W.Board |     |       | <a href="#">C408</a>  | 08S65669Y03 | CAP,CER 224KX7R1H-CP |
| FRONT-P.W.Board |     |       | <a href="#">C409</a>  | 08S65669Y03 | CAP,CER 224KX7R1H-CP |


| P.W.Board       | MIS   | MODEL | Ref.                   | Parts No.   | Parts Name           |
|-----------------|---|-------|------------------------|-------------|----------------------|
| FRONT-P.W.Board |   |       | <a href="#">C411</a>   | 08S35349Y17 | CAP,CER 225K-B0J -CP |
| FRONT-P.W.Board |   |       | <a href="#">C415</a>   | 08S35349Y12 | CAP,CER 105K-B0J -CP |
| FRONT-P.W.Board |   |       | <a href="#">C416</a>   | 08S45232Y17 | CAP,CER 104K-B0J -CP |
| FRONT-P.W.Board |   |       | <a href="#">C417</a>   | 08S35349Y17 | CAP,CER 225K-B0J -CP |
| FRONT-P.W.Board |    |       | <a href="#">CB401</a>  | 09-18716Z01 | BTB,DF20-P -EJ       |
| FRONT-P.W.Board |   |       | <a href="#">D401</a>   | 48-12230Z01 | DIO,KDS226-RTK -CP   |
| FRONT-P.W.Board |   |       | <a href="#">D402</a>   | 48-12230Z01 | DIO,KDS226-RTK -CP   |
| FRONT-P.W.Board |   |       | <a href="#">D403</a>   | 48-12230Z01 | DIO,KDS226-RTK -CP   |
| FRONT-P.W.Board |   |       | <a href="#">D406</a>   | 48-12230Z01 | DIO,KDS226-RTK -CP   |
| FRONT-P.W.Board |   |       | <a href="#">IC400</a>  | 51-28064Z01 | BH2228FV-E2 -SE2     |
| FRONT-P.W.Board |   |       | <a href="#">IC401</a>  | 51-26843Z01 | PT16580-LQ -QT       |
| FRONT-P.W.Board |   |       | <a href="#">IC402</a>  | 51-18623Z01 | PNJ4L02M -NE1        |
| FRONT-P.W.Board |   |       | <a href="#">JK401</a>  | 09-27672Z01 | JAC,CK-3552 -DB      |
| FRONT-P.W.Board |  |       | <a href="#">LCD401</a> | 65-32259Z01 | LCD,VDF6504BETZ      |
| FRONT-P.W.Board |   |       | <a href="#">LD402</a>  | 48-27600Z01 | LED,R/G/B 99-135 -E1 |
| FRONT-P.W.Board |   |       | <a href="#">LD403</a>  | 48-27600Z01 | LED,R/G/B 99-135 -E1 |
| FRONT-P.W.Board |   |       | <a href="#">LD404</a>  | 48-27857Z01 | LED,R/G/B 64-23 -CP  |
| FRONT-P.W.Board |   |       | <a href="#">LD405</a>  | 48-27857Z01 | LED,R/G/B 64-23 -CP  |
| FRONT-P.W.Board |   |       | <a href="#">LD406</a>  | 48-27857Z01 | LED,R/G/B 64-23 -CP  |
| FRONT-P.W.Board |   |       | <a href="#">LD407</a>  | 48-27857Z01 | LED,R/G/B 64-23 -CP  |
| FRONT-P.W.Board |   |       | <a href="#">LD408</a>  | 48-27857Z01 | LED,R/G/B 64-23 -CP  |
| FRONT-P.W.Board |   |       | <a href="#">LD409</a>  | 48-27857Z01 | LED,R/G/B 64-23 -CP  |
| FRONT-P.W.Board |   |       | <a href="#">Q400</a>   | 48-22236Z01 | TR,DSC5A01R0L -CP    |
| FRONT-P.W.Board |   |       | <a href="#">Q401</a>   | 48-22236Z01 | TR,DSC5A01R0L -CP    |
| FRONT-P.W.Board |   |       | <a href="#">Q402</a>   | 48-22236Z01 | TR,DSC5A01R0L -CP    |
| FRONT-P.W.Board |   |       | <a href="#">Q403</a>   | 48T75482Y03 | TR,2SC5876-R-T106-CP |

| P.W.Board       | MIS | MODEL | Ref.                 | Parts No.   | Parts Name           |
|-----------------|-----|-------|----------------------|-------------|----------------------|
| FRONT-P.W.Board |     |       | <a href="#">Q404</a> | 48T75482Y03 | TR,2SC5876-R-T106-CP |
| FRONT-P.W.Board |     |       | <a href="#">Q405</a> | 48T75482Y03 | TR,2SC5876-R-T106-CP |
| FRONT-P.W.Board |     |       | <a href="#">Q406</a> | 48-22236Z01 | TR,DSC5A01R0L -CP    |
| FRONT-P.W.Board |     |       | <a href="#">Q407</a> | 48-22236Z01 | TR,DSC5A01R0L -CP    |
| FRONT-P.W.Board |     |       | <a href="#">Q408</a> | 48-22236Z01 | TR,DSC5A01R0L -CP    |
| FRONT-P.W.Board |     |       | <a href="#">Q409</a> | 48T75482Y03 | TR,2SC5876-R-T106-CP |
| FRONT-P.W.Board |     |       | <a href="#">Q410</a> | 48T75482Y03 | TR,2SC5876-R-T106-CP |
| FRONT-P.W.Board |     |       | <a href="#">Q411</a> | 48T75482Y03 | TR,2SC5876-R-T106-CP |
| FRONT-P.W.Board |     |       | <a href="#">Q412</a> | 48-22236Z01 | TR,DSC5A01R0L -CP    |
| FRONT-P.W.Board |     |       | <a href="#">Q413</a> | 48-22236Z01 | TR,DSC5A01R0L -CP    |
| FRONT-P.W.Board |     |       | <a href="#">Q414</a> | 48-22236Z01 | TR,DSC5A01R0L -CP    |
| FRONT-P.W.Board |     |       | <a href="#">Q415</a> | 48T75482Y03 | TR,2SC5876-R-T106-CP |
| FRONT-P.W.Board |     |       | <a href="#">Q416</a> | 48T75482Y03 | TR,2SC5876-R-T106-CP |
| FRONT-P.W.Board |     |       | <a href="#">Q417</a> | 48T75482Y03 | TR,2SC5876-R-T106-CP |
| FRONT-P.W.Board |     |       | <a href="#">Q418</a> | 48-22236Z01 | TR,DSC5A01R0L -CP    |
| FRONT-P.W.Board |     |       | <a href="#">Q419</a> | 48-22236Z01 | TR,DSC5A01R0L -CP    |
| FRONT-P.W.Board |     |       | <a href="#">Q420</a> | 48-22236Z01 | TR,DSC5A01R0L -CP    |
| FRONT-P.W.Board |     |       | <a href="#">Q421</a> | 48T75482Y03 | TR,2SC5876-R-T106-CP |
| FRONT-P.W.Board |     |       | <a href="#">Q422</a> | 48T75482Y03 | TR,2SC5876-R-T106-CP |
| FRONT-P.W.Board |     |       | <a href="#">Q423</a> | 48T75482Y03 | TR,2SC5876-R-T106-CP |
| FRONT-P.W.Board |     |       | <a href="#">R400</a> | 06S15615Y49 | RES,RK 102J 1/16 -CP |
| FRONT-P.W.Board |     |       | <a href="#">R401</a> | 06S64995F53 | RES,RK 102J 1/8 -CP  |
| FRONT-P.W.Board |     |       | <a href="#">R402</a> | 06S15615Y49 | RES,RK 102J 1/16 -CP |
| FRONT-P.W.Board |     |       | <a href="#">R403</a> | 06S15615Y49 | RES,RK 102J 1/16 -CP |
| FRONT-P.W.Board |     |       | <a href="#">R404</a> | 06S15615Y49 | RES,RK 102J 1/16 -CP |
| FRONT-P.W.Board |     |       | <a href="#">R405</a> | 06S15615Y49 | RES,RK 102J 1/16 -CP |

| P.W.Board       | MIS | MODEL | Ref.                 | Parts No.   | Parts Name           |
|-----------------|-----|-------|----------------------|-------------|----------------------|
| FRONT-P.W.Board |     |       | <a href="#">R406</a> | 06S64995F53 | RES,RK 102J 1/8 -CP  |
| FRONT-P.W.Board |     |       | <a href="#">R407</a> | 06S64995F53 | RES,RK 102J 1/8 -CP  |
| FRONT-P.W.Board |     |       | <a href="#">R408</a> | 06S15615Y49 | RES,RK 102J 1/16 -CP |
| FRONT-P.W.Board |     |       | <a href="#">R409</a> | 06S64995F53 | RES,RK 102J 1/8 -CP  |
| FRONT-P.W.Board |     |       | <a href="#">R410</a> | 06S64995F53 | RES,RK 102J 1/8 -CP  |
| FRONT-P.W.Board |     |       | <a href="#">R411</a> | 06S15615Y25 | RES,RK 101J 1/16 -CP |
| FRONT-P.W.Board |     |       | <a href="#">R412</a> | 06S15615Y25 | RES,RK 101J 1/16 -CP |
| FRONT-P.W.Board |     |       | <a href="#">R413</a> | 06S64995F53 | RES,RK 102J 1/8 -CP  |
| FRONT-P.W.Board |     |       | <a href="#">R414</a> | 06S15615Y25 | RES,RK 101J 1/16 -CP |
| FRONT-P.W.Board |     |       | <a href="#">R415</a> | 06S15616Y23 | RES,RK JUMPER1/16-CP |
| FRONT-P.W.Board |     |       | <a href="#">R416</a> | 06S15616Y23 | RES,RK JUMPER1/16-CP |
| FRONT-P.W.Board |     |       | <a href="#">R417</a> | 06S15616Y23 | RES,RK JUMPER1/16-CP |
| FRONT-P.W.Board |     |       | <a href="#">R418</a> | 06S35084Y44 | RES,RK 393F 1/8 -CP  |
| FRONT-P.W.Board |     |       | <a href="#">R420</a> | 06S65415Y25 | RES,RK 102F 1/16 -CP |
| FRONT-P.W.Board |     |       | <a href="#">R421</a> | 06S65415Y25 | RES,RK 102F 1/16 -CP |
| FRONT-P.W.Board |     |       | <a href="#">R422</a> | 06S65415Y25 | RES,RK 102F 1/16 -CP |
| FRONT-P.W.Board |     |       | <a href="#">R423</a> | 06S15593Y17 | RES,RK 47RF 1/10 -CP |
| FRONT-P.W.Board |     |       | <a href="#">R427</a> | 06S15616Y23 | RES,RK JUMPER1/16-CP |
| FRONT-P.W.Board |     |       | <a href="#">R431</a> | 06S15593Y22 | RES,RK 75RF 1/10 -CP |
| FRONT-P.W.Board |     |       | <a href="#">R432</a> | 06S35084Y39 | RES,RK 153F 1/8 -CP  |
| FRONT-P.W.Board |     |       | <a href="#">R433</a> | 06S70072F19 | RES,CP .39R-J-1/4-CP |
| FRONT-P.W.Board |     |       | <a href="#">R434</a> | 06S35084Y78 | RES,RK 132F 1/8 -CP  |
| FRONT-P.W.Board |     |       | <a href="#">R435</a> | 06S35084Y39 | RES,RK 153F 1/8 -CP  |
| FRONT-P.W.Board |     |       | <a href="#">R436</a> | 06S35084Y44 | RES,RK 393F 1/8 -CP  |
| FRONT-P.W.Board |     |       | <a href="#">R437</a> | 06S35084Y78 | RES,RK 132F 1/8 -CP  |
| FRONT-P.W.Board |     |       | <a href="#">R438</a> | 06S35084Y28 | RES,RK 182F 1/8 -CP  |

| P.W.Board       | MIS | MODEL | Ref.                 | Parts No.   | Parts Name           |
|-----------------|-----|-------|----------------------|-------------|----------------------|
| FRONT-P.W.Board |     |       | <a href="#">R439</a> | 06S35084Y31 | RES,RK 332F 1/8 -CP  |
| FRONT-P.W.Board |     |       | <a href="#">R440</a> | 06S35084Y29 | RES,RK 222F 1/8 -CP  |
| FRONT-P.W.Board |     |       | <a href="#">R441</a> | 06S35084Y64 | RES,RK 432F 1/8 -CP  |
| FRONT-P.W.Board |     |       | <a href="#">R442</a> | 06S35084Y68 | RES,RK 752F 1/8 -CP  |
| FRONT-P.W.Board |     |       | <a href="#">R443</a> | 06S15616Y23 | RES,RK JUMPER1/16-CP |
| FRONT-P.W.Board |     |       | <a href="#">R444</a> | 06S15616Y23 | RES,RK JUMPER1/16-CP |
| FRONT-P.W.Board |     |       | <a href="#">R445</a> | 06S15616Y23 | RES,RK JUMPER1/16-CP |
| FRONT-P.W.Board |     |       | <a href="#">R446</a> | 06S15593Y07 | RES,RK 18RF 1/10 -CP |
| FRONT-P.W.Board |     |       | <a href="#">R447</a> | 06S15593Y07 | RES,RK 18RF 1/10 -CP |
| FRONT-P.W.Board |     |       | <a href="#">R448</a> | 06S15593Y07 | RES,RK 18RF 1/10 -CP |
| FRONT-P.W.Board |     |       | <a href="#">R449</a> | 06S15616Y23 | RES,RK JUMPER1/16-CP |
| FRONT-P.W.Board |     |       | <a href="#">R450</a> | 06S15616Y23 | RES,RK JUMPER1/16-CP |
| FRONT-P.W.Board |     |       | <a href="#">R451</a> | 06S15616Y23 | RES,RK JUMPER1/16-CP |
| FRONT-P.W.Board |     |       | <a href="#">R452</a> | 06S15593Y21 | RES,RK 68RF 1/10 -CP |
| FRONT-P.W.Board |     |       | <a href="#">R453</a> | 06S15593Y21 | RES,RK 68RF 1/10 -CP |
| FRONT-P.W.Board |     |       | <a href="#">R454</a> | 06S15593Y21 | RES,RK 68RF 1/10 -CP |
| FRONT-P.W.Board |     |       | <a href="#">R455</a> | 06S35084Y28 | RES,RK 182F 1/8 -CP  |
| FRONT-P.W.Board |     |       | <a href="#">R456</a> | 06S35084Y31 | RES,RK 332F 1/8 -CP  |
| FRONT-P.W.Board |     |       | <a href="#">R457</a> | 06S35084Y29 | RES,RK 222F 1/8 -CP  |
| FRONT-P.W.Board |     |       | <a href="#">R458</a> | 06S35084Y64 | RES,RK 432F 1/8 -CP  |
| FRONT-P.W.Board |     |       | <a href="#">R459</a> | 06S35084Y68 | RES,RK 752F 1/8 -CP  |
| FRONT-P.W.Board |     |       | <a href="#">R460</a> | 06S15616Y23 | RES,RK JUMPER1/16-CP |
| FRONT-P.W.Board |     |       | <a href="#">R461</a> | 06S70072F29 | RES,CP .101-J-1/4-CP |
| FRONT-P.W.Board |     |       | <a href="#">R462</a> | 06S15616Y23 | RES,RK JUMPER1/16-CP |
| FRONT-P.W.Board |     |       | <a href="#">R463</a> | 06S15616Y23 | RES,RK JUMPER1/16-CP |
| FRONT-P.W.Board |     |       | <a href="#">R464</a> | 06S15593Y07 | RES,RK 18RF 1/10 -CP |

| P.W.Board       | MIS   | MODEL | Ref.                  | Parts No.   | Parts Name            |
|-----------------|---|-------|-----------------------|-------------|-----------------------|
| FRONT-P.W.Board |   |       | <a href="#">R465</a>  | 06S15593Y07 | RES,RK 18RF 1/10 -CP  |
| FRONT-P.W.Board |   |       | <a href="#">R466</a>  | 06S15593Y07 | RES,RK 18RF 1/10 -CP  |
| FRONT-P.W.Board |   |       | <a href="#">R467</a>  | 06S15593Y27 | RES,RK 121F 1/10 -CP  |
| FRONT-P.W.Board |   |       | <a href="#">R468</a>  | 06S15593Y27 | RES,RK 121F 1/10 -CP  |
| FRONT-P.W.Board |   |       | <a href="#">R469</a>  | 06S15593Y27 | RES,RK 121F 1/10 -CP  |
| FRONT-P.W.Board |   |       | <a href="#">R470</a>  | 06S15593Y27 | RES,RK 121F 1/10 -CP  |
| FRONT-P.W.Board |   |       | <a href="#">R471</a>  | 06S15593Y27 | RES,RK 121F 1/10 -CP  |
| FRONT-P.W.Board |   |       | <a href="#">R472</a>  | 06S15593Y27 | RES,RK 121F 1/10 -CP  |
| FRONT-P.W.Board |   |       | <a href="#">R473</a>  | 06S15593Y27 | RES,RK 121F 1/10 -CP  |
| FRONT-P.W.Board |   |       | <a href="#">R474</a>  | 06S15593Y27 | RES,RK 121F 1/10 -CP  |
| FRONT-P.W.Board |   |       | <a href="#">R475</a>  | 06S15593Y27 | RES,RK 121F 1/10 -CP  |
| FRONT-P.W.Board |   |       | <a href="#">R476</a>  | 06S15593Y17 | RES,RK 47RF 1/10 -CP  |
| FRONT-P.W.Board |   |       | <a href="#">R477</a>  | 06S70072F29 | RES,CP .101-J-1/4-CP  |
| FRONT-P.W.Board |   |       | <a href="#">R478</a>  | 06S64995F53 | RES,RK 102J 1/8 -CP   |
| FRONT-P.W.Board |   |       | <a href="#">R479</a>  | 06S15593Y21 | RES,RK 68RF 1/10 -CP  |
| FRONT-P.W.Board |   |       | <a href="#">R480</a>  | 06S15615Y49 | RES,RK 102J 1/16 -CP  |
| FRONT-P.W.Board |   |       | <a href="#">R493</a>  | 06S35095Y08 | RES,RK JUMPER 1/4-CP  |
| FRONT-P.W.Board |   |       | <a href="#">RA401</a> | 06S15771Y13 | RES,ARYEXB28V101J-CP  |
| FRONT-P.W.Board |  |       | <a href="#">SK401</a> | 09-19382Z01 | SKT,CM-V105 -DB       |
| FRONT-P.W.Board |   |       | <a href="#">SW401</a> | 40T65353Y01 | SW,TACT SKRSPACE010E2 |
| FRONT-P.W.Board |   |       | <a href="#">SW403</a> | 40T65353Y01 | SW,TACT SKRSPACE010E2 |
| FRONT-P.W.Board |   |       | <a href="#">SW404</a> | 40T65353Y01 | SW,TACT SKRSPACE010E2 |
| FRONT-P.W.Board |   |       | <a href="#">SW405</a> | 40T65353Y01 | SW,TACT SKRSPACE010E2 |
| FRONT-P.W.Board |   |       | <a href="#">SW406</a> | 40T65353Y01 | SW,TACT SKRSPACE010E2 |
| FRONT-P.W.Board |   |       | <a href="#">SW407</a> | 40T65353Y01 | SW,TACT SKRSPACE010E2 |
| FRONT-P.W.Board |   |       | <a href="#">SW408</a> | 40T65353Y01 | SW,TACT SKRSPACE010E2 |

| P.W.Board       | MIS   | MODEL | Ref.                  | Parts No.   | Parts Name            |
|-----------------|---|-------|-----------------------|-------------|-----------------------|
| FRONT-P.W.Board |   |       | <a href="#">SW409</a> | 40T65353Y01 | SW,TACT SKRSPACE010E2 |
| FRONT-P.W.Board |   |       | <a href="#">SW410</a> | 40T65353Y01 | SW,TACT SKRSPACE010E2 |
| FRONT-P.W.Board |   |       | <a href="#">SW411</a> | 40T65353Y01 | SW,TACT SKRSPACE010E2 |
| FRONT-P.W.Board |  |       | <a href="#">SW412</a> | 40-10735Z02 | ENC,EC12D1524405 -DB  |
| FRONT-P.W.Board |   |       | <a href="#">SW413</a> | 40T65353Y01 | SW,TACT SKRSPACE010E2 |
| FRONT-P.W.Board |   |       | <a href="#">SW414</a> | 40T65353Y01 | SW,TACT SKRSPACE010E2 |
| FRONT-P.W.Board |   |       | <a href="#">SW415</a> | 40T65353Y01 | SW,TACT SKRSPACE010E2 |
| FRONT-P.W.Board |   |       | <a href="#">SW416</a> | 40T65353Y01 | SW,TACT SKRSPACE010E2 |
| FRONT-P.W.Board |   |       | <a href="#">SW417</a> | 40T65353Y01 | SW,TACT SKRSPACE010E2 |
| FRONT-P.W.Board |   |       | <a href="#">SW418</a> | 40T65353Y01 | SW,TACT SKRSPACE010E2 |
| FRONT-P.W.Board |   |       | <a href="#">Z401</a>  | 91-14147Z01 | EMI,ACM2012H-900 -CP  |
| FRONT-P.W.Board |   |       | <a href="#">ZD401</a> | 48-18196Z02 | DIO,ZEN DZ2S051M0LCP  |
| FRONT-P.W.Board |   |       | <a href="#">ZD402</a> | 48-18196Z02 | DIO,ZEN DZ2S051M0LCP  |