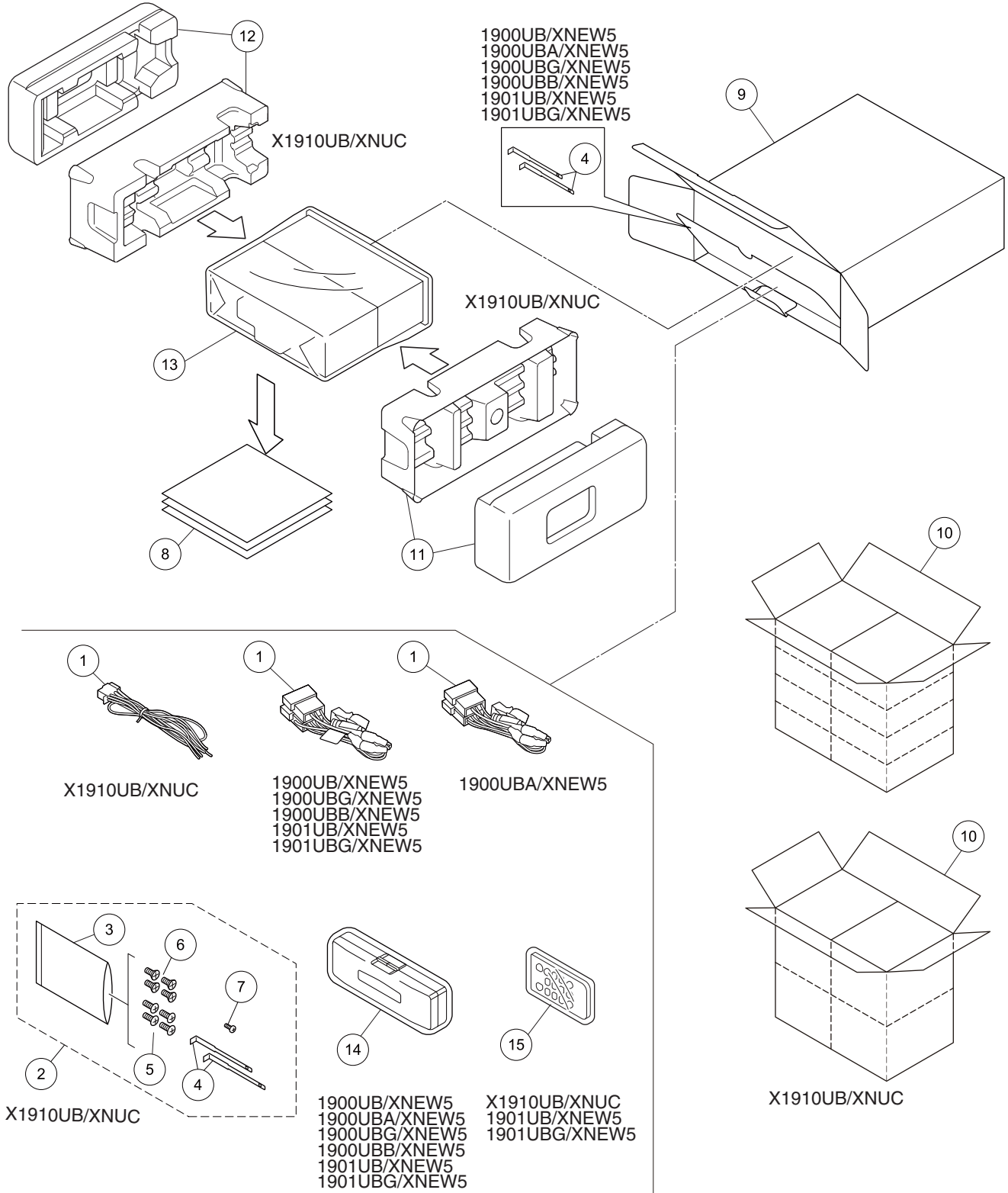


# 9. EXPLODED VIEWS AND PARTS LIST

- NOTES :
- Parts marked by "\*" are generally unavailable because they are not in our Master Spare Parts List.
  - The ⚠ mark found on some component parts indicates the importance of the safety factor of the part. Therefore, when replacing, be sure to use parts of identical designation.
  - Screw adjacent to ▽ mark on the product are used for disassembly.
  - For the applying amount of lubricants or glue, follow the instructions in this manual. (In the case of no amount instructions, apply as you think it appropriate.)

## 9.1 PACKING



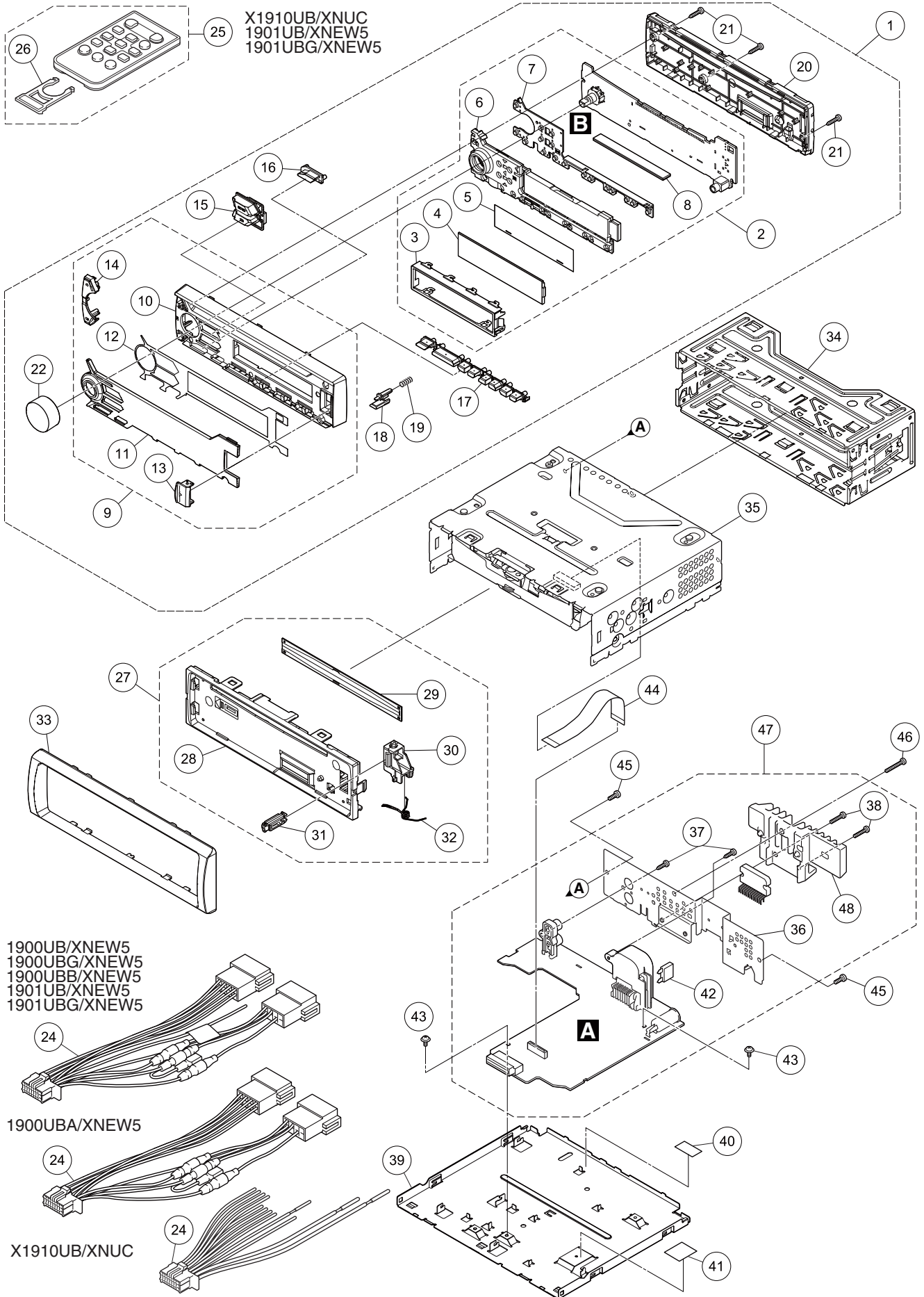
## PACKING SECTION PARTS LIST

Mark	No.	Description	DEH- X1910UB/ XNUC	DEH- 1900UB/ XNEW5	DEH- 1900UBA/ XNEW5	DEH- 1900UBG/ XNEW5	DEH- 1900UBB/ XNEW5	DEH- 1901UB/ XNEW5	DEH- 1901UBG/ XNEW5
A	1	Cord Assy	CDP1480	QDP3070	QDP3071	QDP3070	QDP3070	QDP3070	QDP3070
*	2	Accessory Assy	QEA3337	Not used	Not used	Not used	Not used	Not used	Not used
	3	Polyethylene Bag	CEG1160	Not used	Not used	Not used	Not used	Not used	Not used
	4	Handle	QNC3021	QNC3021	QNC3021	QNC3021	QNC3021	QNC3021	QNC3021
	5	Screw	CBA2384	Not used	Not used	Not used	Not used	Not used	Not used
	6	Screw	CBA2383	Not used	Not used	Not used	Not used	Not used	Not used
	7	Screw	BPZ20P060FTC	Not used	Not used	Not used	Not used	Not used	Not used
*	8-1	Warranty Card	QRY3001	CRY1376	CRY1376	CRY1376	CRY1376	CRY1376	CRY1376
	8-2	Owner's Manual	QRD3379	QRD3378	QRD3378	QRD3378	QRD3378	QRD3378	QRD3378
	9	Unit Box	QHG3975	QHG3970	QHG3971	QHG3972	QHG3973	QHG3974	QHG3975
B	10	Contain Box	QHL3975	QHL3970	QHL3971	QHL3972	QHL3973	QHL3974	QHL3975
	11	Protector	CHP4103	QHP3048	QHP3048	QHP3048	QHP3048	QHP3048	QHP3048
	12	Protector	CHP4104	QHP3048	QHP3048	QHP3048	QHP3048	QHP3048	QHP3048
	13	Polyethylene Bag	CEG1173	QEG3001	QEG3001	QEG3001	QEG3001	QEG3001	QEG3001
	14	Case Assy	Not used	QXA3129	QXA3129	QXA3129	QXA3129	QXA3129	QXA3129
	15	Card Remote Control Unit	CXE9606	Not used	Not used	Not used	Not used	CXE9606	CXE9606

### Owner's Manual, Installation Manual

Part No.	Language
QRD3378	English, French, Italian, Spanish(Espanol), German, Dutch, Russian
QRD3379	English, French, Spanish(Espanol)

# 9.2 EXTERIOR



1900UB/XNEW5  
 1900UBG/XNEW5  
 1900UBB/XNEW5  
 1901UB/XNEW5  
 1901UBG/XNEW5

1900UBA/XNEW5

X1910UB/XNUC

**(1) EXTERIOR SECTION PARTS LIST**

Mark No.	Description	Part No.	Mark No.	Description	Part No.
1	Detach Grille Assy	See Contrast table (2)	26	Cover	See Contrast table (2)
2	Keyboard Unit	See Contrast table (2)	27	Panel Assy	See Contrast table (2)
3	Holder	QNC3130	28	Panel	See Contrast table (2)
4	Segment LCD(V1801)	See Contrast table (2)	29	Cover	See Contrast table (2)
5	Sheet	See Contrast table (2)	30	Arm	See Contrast table (2)
6	Lighting Conductor	QNV3130	31	Button	See Contrast table (2)
7	Contact Rubber	QNV3131	32	Spring	QBH3001
8	Rubber Connector	QNV3129	33	Panel	QNS3568
9	Grille Unit	See Contrast table (2)	34	Holder	QNC3020
10	Grille	QNS3949	35	CD Mechanism Module(11.6VA_T07)CXK5808	
11	Plate	See Contrast table (2)		CD Mechanism Module(S11.6_T07)CXK5807	
12	DS Tape	QNM3158	36	Holder	See Contrast table (2)
13	Door	See Contrast table (2)	37	Screw	BPZ26P080FTC
14	Button(EJECT)	QAC3240	38	Screw	BSZ26P120FTC
15	Button(SRC)	QAC3243	39	Case	See Contrast table (2)
16	Button(EQ)	QAC3247	40	Sheet	See Contrast table (2)
17	Button(TRACK, 1-6)	QAC3244	41	Sheet	See Contrast table (2)
18	Button(DETACH)	QAC3245	42	Fuse(10 A)	YEK5001
19	Spring	CBH2210	43	Screw	ASZ26P050FTC
20	Cover	QNS3951	44	FFC	QDE3029
21	Screw	BPZ20P100FTC	45	Screw	BSZ26P060FTC
22	Knob Unit	QXA4718	46	Screw	BSZ26P120FTC
23	.....		47	Tuner Amp Unit	See Contrast table (2)
24	Cord Assy	See Contrast table (2)	48	Heat Sink	QNR3010
25	Card Remote Control Unit	See Contrast table (2)			

**Notes: For No.35. please refer to "1.3 NOTES ON REPLACING PARTS" for part distinguish.**

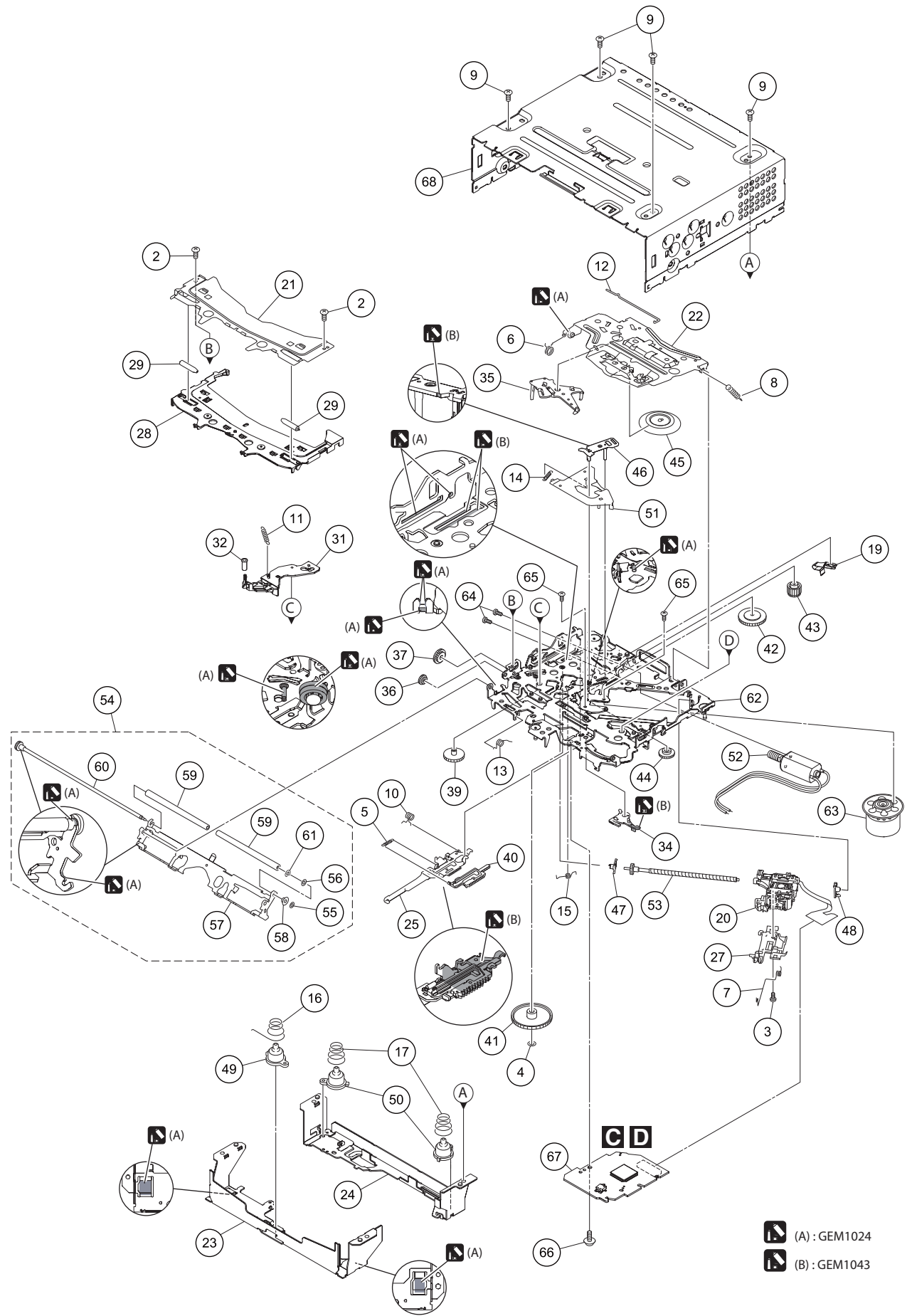
**(2) CONTRAST TABLE**

DEH-X1910UB/XNUC, DEH-1900UB/XNEW5, DEH-1900UBA/XNEW5, DEH-1900UBG/XNEW5, DEH-1900UBB/XNEW5, DEH-1901UB/XNEW5 and DEH-1901UBG/XNEW5 are constructed the same except for the following:

Mark	No.	Description	DEH-X1910UB/ XNUC	DEH-1900UB/ XNEW5	DEH-1900UBA/ XNEW5	DEH-1900UBG/ XNEW5	DEH-1900UBB/ XNEW5	DEH-1901UB/ XNEW5	DEH-1901UBG/ XNEW5
	1	Detach Grille Assy	QXA4775	QXA4770	QXA4771	QXA4772	QXA4773	QXA4774	QXA4785
	2	Keyboard Unit	QWM4376	QWM4377	QWM4378	QWM4380	QWM4387	QWM4388	QWM4405
	4	Segment LCD(V1801)	CAW2056	CAW2056	CAW2056	CAW2056	CAW2059	CAW2056	CAW2056
	5	Sheet	QNM3159	QNM3159	QNM3159	QNM3159	QNM3139	QNM3159	QNM3159
	9	Grille Unit	QXA4735	QXA4730	QXA4731	QXA4732	QXA4733	QXA4734	QXA4745
	11	Plate	QNS3950	QNS4060	QNS4061	QNS4062	QNS4063	QNS4064	QNS4065
	13	Door	QAT3026	QAT3023	QAT3023	QAT3023	QAT3023	QAT3023	QAT3023
	24	Cord Assy	CDP1480	QDP3070	QDP3071	QDP3070	QDP3070	QDP3070	QDP3070
	25	Card Remote Control Unit	CXE9606	Not used	Not used	Not used	Not used	CXE9606	CXE9606
	26	Cover	CNU3681	Not used	Not used	Not used	Not used	CNU3681	CNU3681
	27	Panel Assy	*CXE3802	QXA4750 (Panel Unit)	QXA4750 (Panel Unit)	QXA4750 (Panel Unit)	QXA4750 (Panel Unit)	QXA4750 (Panel Unit)	QXA3261
	28	Panel	QNS3126	*QNS3126	*QNS3126	*QNS3126	*QNS3126	*QNS3126	QNS3126
	29	Cover	QNM3029	*QNM3029	*QNM3029	*QNM3029	*QNM3029	*QNM3029	QNM3029
	30	Arm	QNV3025	*QNV3025	*QNV3025	*QNV3025	*QNV3025	*QNV3025	QNV3025
	31	Button	QNV3026	*QNV3026	*QNV3026	*QNV3026	*QNV3026	*QNV3026	QNV3026
	36	Holder	QNC3051	QNC3050	QNC3051	QNC3050	QNC3050	QNC3050	QNC3050
	39	Case	QNB3043	QNB3033	QNB3033	QNB3033	QNB3033	QNB3033	QNB3033
	40	Sheet	Not used	QNM3130	QNM3130	QNM3130	QNM3130	QNM3130	QNM3130
	41	Sheet	QNM3175	QNM3135	QNM3135	QNM3135	QNM3135	QNM3135	QNM3135
	47	Tuner Amp Unit	QWM4346	QWM4341	QWM4342	QWM4343	QWM4344	QWM4345	QWM4399

5 6 7 8

# 9.3 CD MECHANISM MODULE



(A) : GEM1024  
 (B) : GEM1043

1 2 3 4

## CD MECHANISM MODULE SECTION PARTS LIST

	<u>Mark No.</u>	<u>Description</u>	<u>Part No.</u>	<u>Mark No.</u>	<u>Description</u>	<u>Part No.</u>
	1	.....				
A	2	Screw	BSZ20P040FTC	36	Gear	CNW1180
	3	Screw(M2 x 4)	CBA1835	37	Gear	CNW1181
	4	Washer	CBF1038	38	.....	
	5	Spring	CBH3010	39	Gear	CNW1183
				40	Rack	CNW1184
	6	Spring	CBH2855			
	7	Spring	CBH2856	41	Gear	CNW1185
	8	.....		42	Gear	CNW1186
	9	Screw	BSZ26P060FTC	43	Gear	CNW1187
	10	Spring	CBH3011	44	Gear	CNW2287
				45	Clamper	CNW1190
B	11	Coil Spring	CBH3095			
	12	Spring	CBH3014	46	Arm	CNW1192
	13	Spring	CBH3145	47	Holder	CNW1193
	14	Spring	CBH3016	48	Holder	CNW1194
	15	Spring	CBH3017	49	Damper	CNW1197
				50	Damper	CNW1198
	16	Spring	CBH3086			
	17	Spring	CBH3019	51	Arm	CNW1726
	18	.....		52	Motor Unit(M2)(LOAD/CRG)	CXC4026
	19	Leaf Spring	CBL1824	53	Screw Unit	CXC8894
	20	Pickup Unit(P11)(Service) for CXK5808 CXX4754		54	Arm Assy	CXE8953
C		Pickup Unit(P10.6)(Service) for CXK5807 CXX3556		55	Washer	CBF1037
	21	Bracket	CND4553	56	Washer	CBF1038
	22	Arm	CND7608	57	Arm	CND6242
	23	Bracket	CND6127	58	Collar	CNW2444
	24	Bracket	CND5710	59	Roller	CNW2500
	25	Lever	CND6834	60	Gear Unit	CXE8952
	26	.....		61	Washer	YE15FTC
	27	Rack	CNV8342	62	Chassis Unit	CXE4528
D	28	Guide	CNW3489	63	Motor Unit(M1)(SPDL)	CXE2273
	29	Roller	CNW1172	64	Screw	JFZ20P025FTC
	30	.....		65	Screw	JGZ17P022FTC
	31	Arm	CNW2241	66	Screw	EBA1028
	32	Roller	CNW1175	67	CD Core Unit (S11.6VA)(for CXK5808) CWX4269	
	33	.....			CD Core Unit (S11.6STD)(for CXK5807) CWX4023	
	34	Arm	CNW1177	68	Chassis	CNA3373
	35	Arm	CNW1178			

**Notes: For No.20 and 67. please refer to "1.3 NOTES ON REPLACING PARTS" for part distinguish.**

# 12. ELECTRICAL PARTS LIST

NOTE:

- Parts whose parts numbers are omitted are subject to being not supplied.
- The part numbers shown below indicate chip components.

Chip Resistor

RS1/○S○○○○J,RS1/○○S○○○○J

Chip Capacitor (except for CQS.....)

CKS....., CCS....., CSZS.....

- Parts marked by " \* " are generally unavailable because they are not in our Master Spare Parts List.
- The  $\triangle$  mark found on some component parts indicates the importance of the safety factor of the part. Therefore, when replacing, be sure to use parts of identical designation.
- The expression of the unit in this manual is shown by  $\mu$  instead of  $\mu$ . Please do not make a mistake.

Circuit Symbol and No.

Part No.

Circuit Symbol and No.

Part No.

A:DEH-X1910UB/XNUC

B:DEH-1900UB/XNEW5

C:DEH-1900UBA/XNEW5

D:DEH-1900UBG/XNEW5

E:DEH-1900UBB/XNEW5

F:DEH-1901UB/XNEW5

G:DEH-1901UBG/XNEW5

Unit Number : QWM4346(A)

Unit Number : QWM4341(B)

Unit Number : QWM4342(C)

Unit Number : QWM4343(D)

Unit Number : QWM4344(E)

Unit Number : QWM4345(F)

Unit Number : QWM4399(G)

Unit Name : Tuner Amp Unit

Unit Number : QWM4376(A)

Unit Number : QWM4377(B)

Unit Number : QWM4378(C)

Unit Number : QWM4380(D)

Unit Number : QWM4387(E)

Unit Number : QWM4388(F)

Unit Number : QWM4405(G)

Unit Name : Keyboard Unit

Unit Number : CWX4269

Unit Name : CD Core Unit(S11.6VA)

Unit Number : CWX4023

Unit Name : CD Core Unit(S11.6STD)

Notes:

For CD Core Unit, please refer to "1.3 NOTES ON REPLACING PARTS" for part distinguish.

**A**

Unit Number : QWM4346(A)

Unit Number : QWM4341(B)

Unit Number : QWM4342(C)

Unit Number : QWM4343(D)

Unit Number : QWM4344(E)

Unit Number : QWM4345(F)

Unit Number : QWM4399(G)

Unit Name : Tuner Amp Unit

## MISCELLANEOUS

IC 151	Power supply IC	BD49101AEFS
IC 321	Interface IC(A)	STCC2540IQ
* IC351	Blank Flash IC	R5S726A0D216FP
IC 361	IC	S-80827CNMC-B8M
IC 371	FLASHROM UNIT(A)	QWW4016
IC 371	FLASHROM UNIT(B,C,D,E,F)	QWW3968
IC 371	FLASHROM UNIT(G)	QWW4008
IC 551	E-VOL System LSI	PM9013A
IC 601	Tuner IC	TEF6686HN-V102
IC 801	L-MOS And Gate	TC7SET08FUS1
IC 851	Power Amp IC(A,G)	PAL013B
IC 851	Power Amp IC(B,C,D,E,F)	PAL013A
Q 111	Bipolar Transistor	LSCR523UB
Q 131	Bipolar Transistor(B,D,E,F,G)	LSAR523UB
Q 151	Power MOS FET(A,G)	RRR040P03
Q 151	Power MOS FET(B,C,D,E,F)	SSM3J332R
Q 301	Transistor	2SAR502UB
Q 302	Transistor	2SCR514PGZE
Q 303	Transistor	LTC143EUB
Q 752	Transistor	EMH53
Q 901	Transistor	EMD52
D 101	Diode	D1F60-5053
D 102	Diode	D1F60-5053
D 111	Diode(A)	DZ2J068M0
D 111	Diode(Except A)	DZ2J075M0
D 131	Diode(B,D,E,F,G)	DAN202UM
D 152	Diode(A,G)	RR264MM-400TF
D 152	Diode(B,C,D,E,F)	CRG03
D 153	Schottky Diode	RB162M-40
D 154	Diode(A,G)	RR264MM-400TF

5		6		7		8	
<u>Circuit Symbol and No.</u>		<u>Part No.</u>		<u>Circuit Symbol and No.</u>		<u>Part No.</u>	
				R 113	(Except A)		RS1/16SS333J
D 154	Diode(B,C,D,E,F)	CRG03		R 114	(A)		RS1/4SA102J
D 155	Schottky Diode	DB2J41100					
D 156	Diode	RB056L-40		R 114	(Except A)		RS1/4SA122J
D 157	Schottky Diode	CMS30I30A		R 131	(B,D,E,F,G)		RS1/16SS102J
D 301	Diode	DZ2J100M0		R 132	(B,D,E,F,G)		RS1/16SS223J
				R 133	(B,D,E,F,G)		RS1/16SS153J
D 302	Diode(A)	DZ2S068C		R 151			RS1/16SS8202D
D 303	Diode(A)	DZ2S068C					
D 351	Schottky Diode(B,D,E,F,G)	RB751SM-40		R 156			RS1/16SS102J
D 352	Schottky Diode(B,D,E,F,G)	RB751SM-40		R 158			RS1/16SS2403D
D 701	Diode(A)	DZ2S068C		R 159			RS1/16SS7502D
				R 160			RS1/16SS103J
D 702	Diode(A)	DZ2S068C		R 161			RS1/16SS4703D
D 802	Diode	DZ2S068C					
D 803	Diode	DZ2S068C		R 162			RS1/16SS4303D
D 804	Diode	DZ2S068C		R 163			RS1/16SS3903D
D 805	Diode	DZ2S068C		R 164			RS1/16SS6202D
				R 165	30 mohm		CCN1401
D 806	Diode	DZ2S068C		R 167			RS1/16SS102J
D 807	Diode	DZ2S068C					
D 815	Diode(A)	DZ2S068C		R 168			RS1/16SS102J
D 816	Diode(A)	DZ2S068C		R 169			RS1/16SS102J
D 817	Diode(A)	DZ2S068C		R 172			RS1/16SS393J
				R 173			RS1/16SS4703D
D 911	Diode(A,G)	RR264MM-400TF		R 174			RS1/16SS1503D
D 911	Diode(B,C,D,E,F)	CRG03					
D 912	Diode(A,G)	RR264MM-400TF		R 175			RS1/16SS393J
D 912	Diode(B,C,D,E,F)	CRG03		R 176			RS1/16SS103J
L 101	Choke Coil	CTH1620		R 177			RS1/16SS472J
				R 178			RS1/16SS1003D
L 131	Chip Coil(B,D,E,F,G)	BTH1101		R 179			RS1/16SS7503D
L 151	SMD SPL Inductor	CTH1521					
L 152	SMD SPL Inductor	CTH1584		R 180			RS1/16SS1603D
L 193	Inductor	CTF1786		R 182			RS1/16SS820J
L 301	Common Mode Choke Coil(A)	ATH7015		R 184	(A)		RS1/16SS512J
				R 184	(Except A)		RS1/16SS682J
L 552	Inductor(A,G)	CTF1736		R 185			RS1/16SS102J
L 552	Inductor(B,C,D,E,F)	CTF1793					
L 602	Inductor	CTF1389		R 187			RS1/16SS1203D
L 605	Inductor	LCYC150K1608		R 188			RS1/16SS1802D
L 606	Inductor	CTF1786		R 189			RS1/16SS6802D
				R 190			RS1/16SS3903D
L 610	Inductor	LCMAR27J1608		R 192			RS1/16SS102J
L 613	Inductor	CTF1786					
L 701	Inductor	CTF1389		R 301	(A,G)		RS1/16SS473J
L 801	Common Mode Choke Coil(A,G)	ATH7015		R 301	(B,C,D,E,F)		RS1/10SR473J
L 801	Common Mode Choke Coil(B,C,D,E,F)	CTF1713		R 303			RS1/16SS103J
				R 304			RS1/16SS272J
T 601	Variable Coil	CTC1215		R 305			RS1/16SS473J
X 351	Crystal Resonator 12.000000 MHz	CSS1876					
X 352	Ceramic Resonator 16.934 MHz	CSS1603		R 308			RS1/10SR102J
X 601	Crystal Resonator	CSS1868		R 323	(A)		RS1/16SS3002F
P 601	Surge Absorber	IMSA-6803-01Y900		R 325	(A)		RS1/16SS103J
				R 326	(A)		RS1/16SS103J
△P753	Fuse 3.0 A	CEK1404		R 327	(A)		RS1/16SS1001F
VA801	SMD Varistor	MLV0402ES012V0010N					
VA802	SMD Varistor	MLV0402ES012V0010N		R 328	(A)		RS1/16SS103J
CN701	Connector	VKN1192		R 329	(Except A)		RS1/10SR0R0J
CN801	Connector	CKS6452		R 330	(Except A)		RS1/16SS0R0J
				R 331	(Except A)		RS1/16SS0R0J
JA 101	Plug	CKM1624		R 332	(Except A)		RS1/10SR0R0J
JA601	Antenna Jack	CKX1104					
JA751	Jack	CKB1115		R 334	(Except A)		RS1/16SS0R0J
JA782	Jack(B,D,E,F,G)	CKS6437		R 335	(Except A)		RS1/16SS0R0J
				R 337	(A)		RS1/16SS0R0J
				R 355			RS1/16SS103J
				R 357			RS1/16SS473J
<b>RESISTORS</b>							
R 111		RS1/16SS223J					
R 112		RS1/16SS473J		R 359			RS1/16SS0R0J
R 113	(A)	RS1/16SS682J		R 360			RS1/16SS0R0J
				R 362	(B,D,E,F,G)		RS1/16SS473J

	1	2	3	4
	<u>Circuit Symbol and No.</u>	<u>Part No.</u>	<u>Circuit Symbol and No.</u>	<u>Part No.</u>
	R 364	RS1/16SS104J	R 606	RS1/16SS101J
	R 368	RS1/16SS102J	R 607	RS1/16SS101J
A	R 369	RS1/16SS473J	R 608	RS1/16SS103J
	R 370	RS1/16SS473J	R 610	RS1/16SS103J
	R 371	RS1/16SS473J	R 617	RS1/16SS0R0J
	R 373	RS1/16SS152J	R 620	RS1/16SS0R0J
	R 374	RS1/16SS153J	R 637	RS1/16SS472J
	R 375	RS1/16SS153J	R 638	RS1/16SS472J
	R 376	RS1/16SS473J	R 651	RS1/16SS0R0J
	R 377	RS1/16SS103J	R 652	RS1/16SS0R0J
	R 378 (Except C)	RS1/16SS473J	R 653 (A)	RS1/10SR0R0J
	R 379 (C,D,E)	RS1/16SS473J	R 701	RS1/16SS473J
	R 379 (F)	RS1/16SS103J	R 702	RS1/16SS104J
B	R 379 (G)	RS1/16SS223J	R 704	RS1/16SS104J
	R 380	RS1/16SS103J	R 706	RS1/16SS221J
	R 384	RS1/16SS473J	R 707	RS1/16SS221J
	R 385	RAB4CQ473J	R 708	RS1/16SS101J
	R 386	RS1/16SS473J	R 709	RS1/16SS221J
	R 387	RS1/16SS473J	R 710	RS1/16SS101J
	R 388	RS1/16SS473J	R 711	RS1/16SS102J
	R 389	RS1/16SS473J	R 715	RS1/16SS331J
	R 390	RS1/16SS473J	R 716	RS1/16SS331J
	R 391	RS1/16SS221J	R 717	RS1/16SS331J
	R 392	RS1/16SS221J	R 718	RS1/16SS221J
C	R 393	RS1/16SS221J	R 719	RS1/16SS104J
	R 394	RS1/16SS221J	R 721	RS1/16SS472J
	R 395	RS1/16SS221J	R 722	RS1/16SS472J
	R 396	RS1/16SS221J	R 723	RS1/16SS472J
	R 397	RS1/16SS473J	R 724 (A)	RS1/16SS0R0J
	R 398	RS1/16SS473J	R 755	RS1/16SS821J
	R 399	RS1/16SS101J	R 756	RS1/16SS821J
	R 400	RS1/16SS473J	R 757	RS1/16SS223J
	R 401	RS1/16SS102J	R 758	RS1/16SS223J
	R 402	RS1/16SS473J	R 764	RS1/16SS0R0J
	R 403	RS1/16SS473J	R 789 (B,D,E,F,G)	RS1/16SS0R0J
D	R 404	RS1/16SS473J	R 801	RS1/10SR222J
	R 409	RS1/16SS472J	R 803	RS1/16SS223J
	R 411	RS1/16SS472J	R 804	RS1/16SS223J
	R 412	RS1/16SS104J	R 805	RS1/10SR101J
	R 413	RS1/16SS101J	R 806	RS1/10SR101J
	R 414	RS1/16SS101J	R 807	RS1/10SR101J
	R 415	RS1/16SS101J	R 808	RS1/10SR222J
	R 416	RS1/16SS102J	R 809	RS1/10SR220J
	R 417 (A)	RS1/16SS101J	R 810	RS1/10SR220J
	R 418	RS1/16SS102J	R 813	RS1/10SR222J
E	R 419	RS1/16SS102J	R 814	RS1/10SR222J
	R 420 (A)	RS1/16SS101J	R 815	RS1/16SS822J
	R 421	RS1/16SS473J	R 816	RS1/10SR222J
	R 423	RS1/16SS222J	R 817	RS1/10SR222J
	R 424	RS1/16SS222J	R 841	RS1/16SS472J
	R 425	RS1/16SS103J	R 859	RS1/16SS103J
	R 428	RS1/16SS0R0J	R 871 (B,C,D,E,F)	RS1/10SR0R0J
	R 432 (A)	RS1/16SS103J	R 901	RS1/16SS103J
	R 433 (B,D,E,F,G)	RS1/16SS102J	R 902	RS1/16SS221J
	R 434 (B,D,E,F,G)	RS1/16SS102J	R 903	RS1/16SS223J
	R 509	RS1/16SS473J		
F	R 510	RS1/16SS473J		
			<b>CAPACITORS</b>	
	R 603	RS1/16SS391J	C 101	2 200 uF/16 V
	R 604	RS1/16SS105J	C 111	(A,G)
	R 605	RS1/16SS105J		
				CCH1405
				CKSRBY103K50

5		6		7		8	
<u>Circuit Symbol and No.</u>		<u>Part No.</u>		<u>Circuit Symbol and No.</u>		<u>Part No.</u>	
C 111	(B,C,D,E,F)	CKSRYB104K50		C 365		CCSSCH120J50	
C 151		CEVW221M16		C 366		CCSSCH120J50	
C 152	1 uF(A,G)	CCG1393		C 368		CKSSYB102K50	
C 152	(B,C,D,E,F)	CCG1396		C 369		CKSSYB104K10	A
C 153	10 uF	CCG1236		C 370	(B,C,D,E,F)	CKSSYB104K10	
C 154	1 uF/10 V(A,G)	DCH1266		C 377	(A,G)	CKSRYB105K10	
C 154	(B,C,D,E,F)	CKSRYB105K10		C 377	(B,C,D,E,F)	CKSRYB105K16	
C 156		CEAT102M16		C 379		CCSSCJ3R0C50	
C 157	10 uF	CCG1236		C 381	(A)	CKSSYB104K10	
C 158	1 uF	DCH1246		C 383		CKSSYB104K10	
C 160	10 uF	CCG1236		C 384		CCSSCH220J50	
C 162		CCSSCH391J50		C 385		CKSSYB104K10	
C 163		CEVQW221M6R3		C 386		CKSSYB104K10	
C 164		CCSSCH471J50		C 387		CKSSYB104K10	B
C 165		CCSSCH102J50		C 388		CCSRCH330J50	
C 166	10 uF	CCG1192		C 389		CKSSYB104K10	
C 167	10 uF	CCG1192		C 390		CCSSCH100D50	
C 169	10 uF	CCG1192		C 391		CCSSCH220J50	
C 171	10 uF	CCG1236		C 392		CCSSCH220J50	
C 172	10 uF	CCG1236		C 393		CCSSCH220J50	
C 174		CKSRYB105K10		C 394		CKSSYB104K10	
C 177	10 uF	CCG1192		C 395		CKSSYB103K16	
C 178		CCSSCH391J50		C 398	1 uF	DCH1246	
C 179		CKSSYB102K50		C 399	(A,G)	CKSSYB104K10	
C 180	10 uF	CCG1192		C 399	(B,C,D,E,F)	CKSRYB104K16	C
C 181		CEVQW221M6R3		C 400		CCSSCH100D50	
C 183	4.7 uF	CCG1212		C 551		CKSRYB105K10	
C 185		CEVW221M10		C 553		CKSRYB105K10	
C 186	(A,G)	CCSSCH331J50		C 554	1 uF	DCH1246	
C 186	(B,C,D,E,F)	CCSSCH561J50		C 555		CKSRYB105K10	
C 187		CCSRCH101J50		C 560		CKSRYB105K10	
C 188	(A)	CKSRYB105K10		C 561		CKSRYB105K10	
C 188	(Except A)	CKSRYB102K50		C 562		CKSRYB105K10	
C 192	22 uF	CCG1254		C 563	10 uF	CCG1192	
C 194	(Except A)	CKSRYB103K50		C 564		CEVW470M16	
C 195	1 uF	CCG1382		C 565		CKSSYB104K10	D
C 196	1 uF	DCH1246		C 568		CKSSYB104K10	
C 197		CKSRYB105K16		C 569		CKSSYB104K10	
C 198	(A)	CEAT102M16		C 570	10 uF	CCG1192	
C 199	(A,G)	CKSSYB122K50		C 573	1 uF/10 V(A,G)	DCH1266	
C 253	(A,G)	CKSSYB104K10		C 573	1 uF(B,C,D,E,F)	DCH1246	
C 253	(B,C,D,E,F)	CKSRYB104K16		C 575	10 uF	CCG1192	
C 255	2.2 uF(A,G)	CCG1205		C 576		CKSSYB104K10	
C 255	10 uF(B,C,D,E,F)	CCG1192		C 577	10 uF	CCG1192	
C 302		CCSRCH101J50		C 583	10 uF	CCG1192	
C 303		CKSSYB104K16		C 584		CKSSYB104K10	
C 304		CKSRYB104K16		C 585		CKSSYB104K10	E
C 321	(A)	CKSSYB104K10		C 586		CKSSYB104K10	
C 322	10 uF(A)	CCG1192		C 587		CKSSYB102K50	
C 323	10 uF(A)	DCH1201		C 589	1 uF/10 V(A,G)	DCH1266	
C 351		CKSSYB104K10		C 589	1 uF(B,C,D,E,F)	DCH1246	
C 352		CKSSYB104K10		C 590		CKSRYB105K10	
C 353		CKSSYB104K10		C 591	(A)	CCSRCH391J50	
C 354		CKSSYB104K10		C 607		CKSSYB102K50	
C 357		CKSSYB104K10		C 610		CKSSYB152K50	
C 359	1 uF/10 V(A,G)	DCH1266		C 611		CCSSCH331J50	
C 359	1 uF(B,C,D,E,F)	DCH1246		C 612		CCSSCH220J50	F
C 361		CKSSYB104K10		C 613		CCSSCH100D50	
C 362		CKSSYB104K10		C 615		CKSSYB104K10	
C 363		CKSSYB104K10		C 617		CKSSYB102K50	

	1	2
	<u>Circuit Symbol and No.</u>	<u>Part No.</u>
	C 618	CKSSYB224K6R3
	C 620	CKSSYB104K10
	C 621	CCSSCH390J50
A	C 624 2.2 uF	CCG1205
	C 626 10 uF	CCG1192
	C 630 1 uF/10 V(A,G)	DCH1266
	C 630 1 uF(B,C,D,E,F)	DCH1246
	C 631	CCSSCH391J50
	C 632	CKSRYB104K16
	C 633	CKSRYB104K16
	C 635 (Except A)	CCSSCH101J50
	C 636 (A)	CKSSYB102K50
	C 637	CKSSYB104K10
B	C 639	CCSSCH471J50
	C 701	CKSSYB103K16
	C 702	CKSSYB103K16
	C 704 (B,C,D,E,F)	CCSSCH100D50
	C 705 (B,C,D,E,F)	CCSSCH100D50
	C 706 (B,C,D,E,F)	CCSSCH100D50
	C 709 (A,G)	CKSSYB104K10
	C 709 (B,C,D,E,F)	CKSRYB104K16
	C 755 10 uF	DCH1201
	C 756 10 uF	CCG1192
	C 757 (B,C,D,E,F)	CCSSCH101J50
C	C 758 (B,C,D,E,F)	CCSSCH101J50
	C 760	CKSSYB104K10
	C 761 (B,C,D,E,F)	CKSSYB103K16
	C 787 (B,D,E,F,G)	CKSRYB104K16
	C 788 (B,D,E,F,G)	CKSRYB104K16
	C 801	CCSRCH102J50
	C 803	CKSRYB105K10
	C 804 (Except A)	CKSRYB105K10
	C 806	CKSRYB104K16
	C 807	CKSRYB105K10
	C 809	CCSRCH221J50
D	C 810	CCSRCH221J50
	C 811	CKSSYB104K10
	C 851	CKSRYB474K10
	C 853	CKSRYB474K10
	C 855	CKSRYB474K10
	C 857	CKSRYB474K10
	C 863 2.2 uF	CCG1205
	C 864	CKSRYB104K50
	C 866	CKSRYB105K16
	C 868 10 uF/16 V	DCH1263
	C 901	CKSRYB105K10
E	C 913	CKSRYB104K50

- B**  
**Unit Number: QWM4376(A)**  
**Unit Number: QWM4377(B)**  
**Unit Number: QWM4378(C)**  
**Unit Number: QWM4380(D)**  
**Unit Number: QWM4387(E)**  
**Unit Number: QWM4388(F)**  
**Unit Number: QWM4405(G)**  
**Unit Name : Keyboard Unit**

3	4
<u>Circuit Symbol and No.</u>	<u>Part No.</u>
<b>MISCELLANEOUS</b>	
IC 1801 IC	PD6586A8
IC 1941 IC(A,F,G)	SIR8440B5
D 1951 Diode	SWBA05(FI231719)
D 1952 LED(D,G)	SML-D12P8W(KL)
D 1953 LED(D,G)	SML-D12P8W(KL)
D 1954 LED(D,G)	SML-D12P8W(KL)
D 1955 LED(D,G)	SML-D12P8W(KL)
D 1956 LED(D,G)	SML-D12P8W(KL)
D 1957 LED(D,G)	SML-D12P8W(KL)
D 1958 LED(D,G)	SML-D12P8W(KL)
D 1959 LED(D,G)	SML-D12P8W(KL)
D 1960 LED(D,G)	SML-D12P8W(KL)
D 1961 LED(D,G)	SML-D12P8W(KL)
D 1962 LED(D,G)	SML-D12P8W(KL)
D 1963 LED(D,G)	SML-D12P8W(KL)
D 1964 LED(D,G)	SML-D12P8W(KL)
D 1966 LED(D,G)	SML-D12P8W(KL)
D 1969 LED(A,B,E,F)	FC-1608SXX630D08
D 1969 LED(C)	SML-D12D8W(RS)
D 1970 LED(A,B,E,F)	FC-1608SXX630D08
D 1970 LED(C)	SML-D12D8W(RS)
D 1971 LED(A,B,E,F)	FC-1608SXX630D08
D 1971 LED(C)	SML-D12D8W(RS)
D 1973 LED(A,B,E,F)	FC-1608SXX630D08
D 1973 LED(C)	SML-D12D8W(RS)
D 1974 LED(A,B,E,F)	FC-1608SXX630D08
D 1974 LED(C)	SML-D12D8W(RS)
D 1975 LED(A,B,E,F)	FC-1608SXX630D08
D 1975 LED(C)	SML-D12D8W(RS)
D 1976 LED(A,B,E,F)	FC-1608SXX630D08
D 1976 LED(C)	SML-D12D8W(RS)
D 1977 LED(A,B,E,F)	FC-1608SXX630D08
D 1977 LED(C)	SML-D12D8W(RS)
D 1978 LED(A,B,E,F)	FC-1608SXX630D08
D 1978 LED(C)	SML-D12D8W(RS)
D 1979 LED(A,B,E,F)	FC-1608SXX630D08
D 1979 LED(C)	SML-D12D8W(RS)
D 1980 LED(A,B,E,F)	FC-1608SXX630D08
D 1980 LED(C)	SML-D12D8W(RS)
D 1981 LED(A,B,E,F)	FC-1608SXX630D08
D 1981 LED(C)	SML-D12D8W(RS)
D 1982 LED(A,B,E,F)	FC-1608SXX630D08
D 1982 LED(C)	SML-D12D8W(RS)
D 1983 LED(D,G)	SML-D12D8W(RS)
D 1984 LED(A,B,E,F)	FC-1608SXX630D08
D 1984 LED(C)	SML-D12D8W(RS)
X 1801 Ceramic Resonator 5.00 MHz	CSS1547
S 1839 Encoder(MULTI-CONTROL)	CSD1193
CN1931 Connector	CKS6451
JA 1911 Connector	CKS6443
JA 1921 Jack	CKN1111
V 1801 LCD(Except E)	CAW2056
V 1801 LCD(E)	CAW2059
<b>RESISTORS</b>	
R 1801	RS1/10SR473J
R 1802	RS1/10SR473J
R 1803	RS1/10SR222J

R 1805	RS1/10SR473J
R 1806	RS1/10SR473J
R 1807	RS1/10SR473J
R 1808	RS1/10SR473J
R 1823	RS1/10SR273J
R 1921	RS1/10SR0R0J
R 1922	RS1/10SR0R0J
R 1923	RS1/10SR0R0J
R 1931	RS1/10SR222J
R 1932	RS1/10SR222J
R 1941 (B,C,D,E)	RS1/10SR473J
R 1944 (A,F,G)	RS1/10SR101J
R 1951	RS1/4SA181J
R 1952	RS1/4SA101J
R 1953 (D,G)	RS1/4SA391J
R 1958 (D,G)	RS1/10SR122J
R 1959 (D,G)	RS1/4SA471J
R 1961 (D,G)	RS1/4SA471J
R 1963 (D,G)	RS1/4SA471J
R 1965 (D,G)	RS1/4SA471J
R 1967 (D,G)	RS1/4SA391J
R 1970 (D,G)	RS1/4SA561J
R 1971 (D,G)	RS1/10SR0R0J
R 1978 (A,B,C,E,F)	RS1/10SR182J
R 1979 (A,B,C,E,F)	RS1/4SA471J
R 1982 (A,B,E,F)	RS1/10SR681J
R 1982 (C)	RS1/10SR122J
R 1984 (A,B,C,E,F)	RS1/10SR821J
R 1986 (A,B,C,E,F)	RS1/10SR821J
R 1988 (A,B,C,E,F)	RS1/10SR821J
R 1989 (A,B,C,E,F)	RS1/4SA821J
R 1991 (D,G)	RS1/10SR0R0J
R 1996 (A,B,C,E,F)	RS1/10SR0R0J
R 1998 (D,G)	RS1/10SR122J
R 2000 (A,B,E,F)	RS1/10SR122J
R 2000 (C)	RS1/10SR182J

**CAPACITORS**

C 1806	CKSRYB104K16
C 1807	CKSRYB105K10
C 1808	CCSRCH221J50
C 1912	CKSRYB102K50
C 1913	CKSRYB102K50
C 1941 10 uF(A,F,G)	CCG1192



**Unit Number : CWX4269**  
**Unit Name : CD Core Unit(S11.6VA)**

**MISCELLANEOUS**

IC 201 IC	PEQ094A
IC 301 Driver IC	BD8223EFV
Q 101 Transistor	2SA1577
Q 102 Chip Digital Transistor	LTA123JUB
X 201 Ceramic Resonator 16.934 MHz	CSS1603
S 901 Lever Switch(HOME)	CSN1090
S 903 Spring Switch(DSCSNS)	CSN1081
CN101 Connector	CKS4808

CN701 Connector	CKS6146
-----------------	---------

**RESISTORS**

R 101	RS1/10SR2R4J
R 102	RS1/10SR2R4J
R 103	RS1/10SR2R7J
R 108	RS1/16SS105J
R 109	RS1/16SS152J
R 214	RS1/16SS103J
R 215	RS1/16SS393J
R 216	RS1/16SS102J
R 217	RS1/16SS562J
R 218	RS1/16SS472J
R 229	RS1/16SS471J
R 232	RS1/16SS0R0J
R 237	RS1/16SS221J
R 240	RS1/16SS473J
R 245	RS1/16SS104J
R 254	RS1/16SS104J
R 260	RS1/16SS103J
R 264	RS1/16SS102J
R 281	RS1/16SS560J
R 282	RS1/16SS560J
R 291	RS1/16SS560J
R 294	RS1/16SS471J
R 303	RS1/16SS123J
R 304	RS1/16SS123J
R 305	RS1/16SS102J
R 306	RS1/16SS472J
R 307	RS1/16SS102J
R 308	RS1/16SS472J
R 309	RS1/16SS473J
R 310	RS1/16SS472J
R 311	RS1/16SS472J
R 312	RS1/16SS472J
R 313	RS1/16SS472J
R 701	RS1/16SS101J
R 702	RS1/16SS101J
R 706	RS1/16SS221J

**CAPACITORS**

C 104	CKSQYB475K6R3
C 110	CKSSYB104K10
C 111	CKSSYB103K16
C 203	CKSSYB104K10
C 205	CKSRYB105K10
C 209	CKSRYB104K16
C 210	CKSSYB104K10
C 211	CKSSYB104K10
C 212	CKSSYB104K10
C 213	CKSSYB332K50
C 214	CKSSYB473K16
C 215	CKSSYB104K10
C 216	CKSSYB152K50
C 217	CCSSCH390J50
C 218	CCSSCH5R0C50
C 219	CKSSYB104K10
C 220	CKSSYB104K10
C 221	CKSSYB104K10

1

2

3

4

Circuit Symbol and No.Part No.Circuit Symbol and No.Part No.

C 222 CKSSYB104K10 R 305 RS1/16SS102J

C 223 CCSSCH680J50 R 306 RS1/16SS472J

C 224 CCSSCH470J50 R 307 RS1/16SS102J

C 225 CKSSYB103K16 R 308 RS1/16SS472J

C 228 CCSSCH180J50 R 309 RS1/16SS473J

C 229 CKSSYB104K10 R 310 RS1/16SS472J

C 233 CKSSYB103K16 R 311 RS1/16SS472J

C 236 CKSSYB104K10 R 312 RS1/16SS472J

C 238 CKSRYB104K16 R 313 RS1/16SS472J

C 299 CKSSYB104K10 R 701 RS1/16SS101J

C 302 CKSSYB102K50 R 702 RS1/16SS101J

C 303 CKSSYB102K50 R 706 RS1/16SS221J

C 304 CKSSYB223K16

C 305 CKSSYB104K10

C 306 CKSSYB104K10

C 307 CKSRYB105K10

C 308 CKSRYB105K10

C 710 CKSSYB102K50

CAPACITORS

C 104

C 203

C 209

C 210

C 211

C 212

C 213

C 214

C 215

C 216

C 217

C 218

C 219

C 220

C 221

C 222

C 223

C 224

C 225

C 228

C 229

C 233

C 236

C 238

C 299

C 302

C 303

C 304

C 305

C 306

C 307

C 308

C 710

CKSQYB475K6R3

CKSSYB104K10

CKSRYB104K16

CKSSYB104K10

CKSSYB104K10

CKSSYB104K10

CKSSYB332K50

CKSSYB473K16

CKSSYB104K10

CKSSYB182K50

CCSSCH560J50

CCSSCH4R0C50

CKSSYB104K10

CKSSYB104K10

CKSSYB104K10

CKSSYB104K10

CCSSCH680J50

CCSSCH470J50

CKSSYB103K16

CCSSCH270J50

CKSSYB104K10

CKSSYB103K16

CKSSYB104K10

CKSRYB104K16

CKSSYB104K10

CKSSYB102K50

CKSSYB102K50

CKSSYB223K16

CKSSYB104K10

CKSSYB104K10

CKSRYB105K10

CKSRYB105K10

CKSSYB102K50

**D****Unit Number: CWX4023****Unit Name : CD Core Unit(S11.6STD)**MISCELLANEOUS

IC 201 IC PE5791A

IC 301 Driver IC BD8223EFV

Q 101 Transistor 2SA1577

Q 102 Chip Digital Transistor LTA123JUB

X 201 Ceramic Resonator 16.934 MHz CSS1603

S 901 Lever Switch(HOME) CSN1090

S 903 Spring Switch(DSCSNS) CSN1081

CN101 Connector CKS4808

CN701 Connector CKS6146

RESISTORS

R 101 RS1/10SR2R4J

R 102 RS1/10SR2R4J

R 103 RS1/10SR2R7J

R 108 RS1/16SS105J

R 109 RS1/16SS222J

R 214 RS1/16SS103J

R 215 RS1/16SS393J

R 216 RS1/16SS122J

R 217 RS1/16SS562J

R 218 RS1/16SS472J

R 229 RS1/16SS471J

R 232 RS1/16SS0R0J

R 237 RS1/16SS221J

R 240 RS1/16SS473J

R 245 RS1/16SS104J

R 254 RS1/16SS104J

R 260 RS1/16SS103J

R 264 RS1/16SS102J

R 281 RS1/16SS560J

R 282 RS1/16SS560J

R 291 RS1/16SS560J

R 294 RS1/16SS471J

R 303 RS1/16SS123J

R 304 RS1/16SS123J

DEH-X1910UB/XNUC