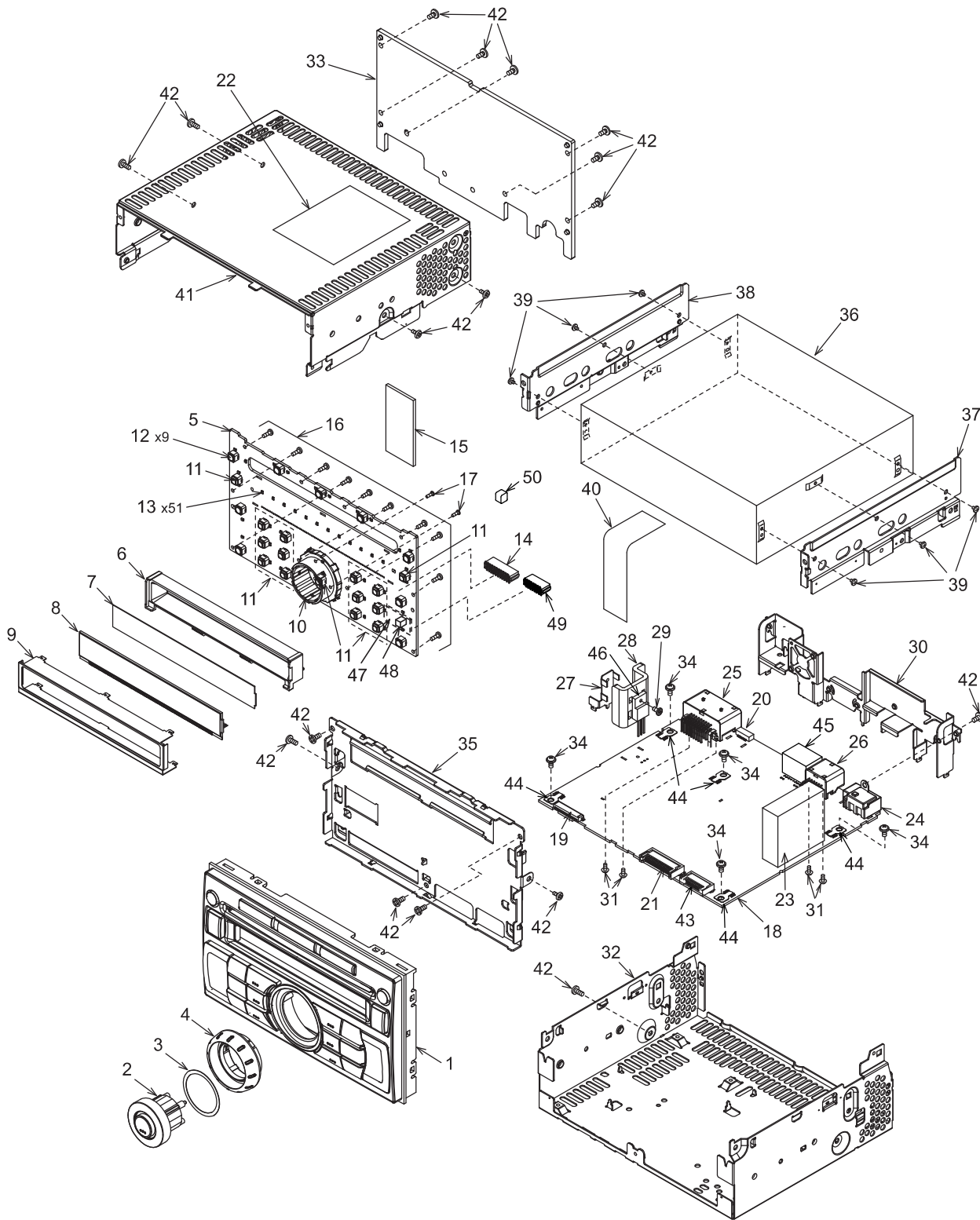


EXPLODED VIEW/PARTS LIST

Main section



NO.	PART NO.	DESCRIPTION	Q'TY	NO.	PART NO.	DESCRIPTION	Q'TY
1	940-8206-22	ES-ASSY	1	26	074-1302-12	SOCKET (12P)	1
2	947-0591-00	KNOB ASSY	1	27	331-3880-00	TR HOLDER	1
3	347-7959-00	SHADE	1	28	313-1967-00	HEAT SINK	1
4	380-5655-00	KNOB	1	29	716-1646-50	IT SCREW (M2.6 x 8)	1
5	-----	SWITCH PWB	1	30	307-0720-00	REAR PLATE	1
6	335-7693-00	LCD HOLDER	1	31	778-3006-00	SPECIAL T-SCREW (3 x 6)	4
7	335-7801-00	LCD LEFLECTOR	1	32	311-1914-00	LOWER CASE	1
8	379-1392-50	INDICATOR (LCD)	1	33	313-1968-00	HEAT SINK	1
9	331-4166-00	LCD COVER	1	34	716-0878-50	SPECIAL SCREW (M2.6 x 5)	5
10	016-7004-00	ROTARY SWITCH	1	35	309-0822-00	ES PLATE (6CD)	1
11	013-6201-52	TACT SWITCH	15	36	929-0390-82	CD MECH MODULE	1
12	013-6202-52	TACT SWITCH	9	37	331-4092-10	CD MECH BRKT(RH)	1
13	001-7093-92	DIODE	51	38	331-4091-10	CD MECH BRKT(LH)	1
14	074-3013-72	OUTLET SOCKET(22P)	1	39	716-3552-00	SCREW (M2.3 x 2.5)	6
15	345-8090-00	CUSHION RUBBER	1	40	816-4024-50	FLAT WIRE	1
16	716-0778-52	WAVE SCREW (2 x 6)	10	41	310-1823-10	UPPER CASE	1
17	716-0872-51	PAD SCREW (M1.7 x 5)	2	42	714-2606-8B	MACHINE SCREW (M2.6 x 6)	17
18	-----	MAIN PWB	1	43	076-3011-66	PLUG(16P)	1
19	074-1237-69	OUTLET SOCKET(19P)	1	44	073-0762-90	TERMINAL	5
20	076-0478-59	PLUG (9P)	1	45	074-1013-00	OUTLET SOCKET(12P)	1
21	076-3011-72	PLUG (22P)	1	46	051-3340-00	IC	1
22	276-0034-77	SET PLATE	1	47	060-8079-90	BLUETOOTH MODUL	1
23	880-2091M	TUNER PACK	1	48	060-8062-50	CERAMIC-ANT	1
24	092-2210-01	ANT RECEPT	1	49	074-3013-66	OUTLET SOCKET	1
25	074-4009-20	SOCKET (20P)	1	50	345-5805-01	GASKET	1

ELECTRICAL PARTS LIST

Main PWB(B1) section

REF No.	PART No.	DESCRIPTION	REF No.	PART No.	DESCRIPTION	REF No.	PART No.	DESCRIPTION
ANT101	092-2210-00	ANT RECEPT	C143	166-6801-50	68pF CH	C323	168-1022-55	1000pF K
BL101	880-2091M	TUNER PACK	C201	043-0548-50	2.2uF	C324	163-2273-25	10V 220uF
C104	168-2222-55	2200pF K	C202	043-0548-50	2.2uF	C325	168-2222-55	2200pF K
C108	119-0000-05	1/10W 0 ohm JW	C203	043-0548-50	2.2uF	C326	166-4711-50	470pF CH
C109	166-2201-50	22pF CH	C204	043-0548-50	2.2uF	C327	163-2263-35	16V 22uF
C110	168-1045-56	0.1uF Z	C217	168-1042-78	16V 0.1uF	C328	168-1022-55	1000pF K
C111	178-3342-78	0.33uF	C227	042-0643-58	6.3V 330uF	C329	166-1007-50	10pF CH
C112	163-4763-15	6.3V 47uF	C228	163-2273-25	10V 220uF	C330	163-1063-35	16V 10uF
C113	178-1052-78	1uF	C229	163-1063-35	16V 10uF	C331	166-1007-50	10pF CH
C114	178-1052-78	1uF	C230	168-1042-78	16V 0.1uF	C333	168-1042-78	16V 0.1uF
C116	168-1222-55	1200pF K	C232	163-1063-35	16V 10uF	C334	163-1073-15	6.3V 100uF
C117	178-1052-78	1uF	C233	168-1042-78	16V 0.1uF	C335	178-1052-78	1uF
C118	168-4732-78	0.047uF K	C236	163-4763-35	16V 47uF	C336	168-3332-78	0.033uF K
C119	168-1022-55	1000pF K	C237	168-1042-78	16V 0.1uF	C338	168-1022-55	1000pF K
C120	168-4722-55	4700pF K	C238	168-1042-78	16V 0.1uF	C339	168-1022-55	1000pF K
C121	168-4722-55	4700pF K	C241	168-1022-55	1000pF K	C340	166-1007-50	10pF CH
C122	163-1073-35	16V 100uF	C242	168-1022-55	1000pF K	C341	168-4712-55	470pF K
C123	168-2222-55	2200pF K	C301	163-4753-65	50V 4.7uF	C342	168-1042-78	16V 0.1uF
C124	168-1022-55	1000pF K	C302	168-1042-78	16V 0.1uF	C343	168-1022-55	1000pF K
C125	168-2232-55	0.022uF K	C303	166-1811-50	180pF CH	C344	163-1063-35	16V 10uF
C126	168-2232-55	0.022uF K	C304	166-1007-50	10pF CH	C345	168-3322-55	3300pF K
C127	168-1022-55	1000pF K	C306	168-1042-78	16V 0.1uF	C346	168-3322-55	3300pF K
C128	168-1022-55	1000pF K	C307	168-1042-78	16V 0.1uF	C347	168-3322-55	3300pF K
C129	178-1052-78	1uF	C308	166-8096-50	8pF CH	C348	168-3322-55	3300pF K
C130	168-1022-55	1000pF K	C309	166-8096-50	8pF CH	C350	042-0643-58	6.3V 330uF
C131	163-1073-35	16V 100uF	C310	168-1022-55	1000pF K	C351	168-4722-55	4700pF K
C132	166-2201-50	22pF CH	C311	163-4753-65	50V 4.7uF	C352	168-2222-55	2200pF K
C133	166-2201-50	22pF CH	C312	168-1042-78	16V 0.1uF	C353	168-2222-55	2200pF K
C134	166-2201-50	22pF CH	C313	163-4753-65	50V 4.7uF	C354	168-2222-55	2200pF K
C135	166-2201-50	22pF CH	C314	168-1042-78	16V 0.1uF	C355	168-2222-55	2200pF K
C136	178-1052-78	1uF	C315	168-1022-55	1000pF K	C356	163-1073-15	6.3V 100uF
C137	178-1052-78	1uF	C316	168-1022-55	1000pF K	C359	168-1022-55	1000pF K
C138	178-3342-78	0.33uF	C317	166-1011-50	100pF CH	C360	166-4711-50	470pF CH
C140	163-1063-35	16V 10uF	C318	168-1042-78	16V 0.1uF	C361	043-0554-90	25V 10uF
C141	163-1063-35	16V 10uF	C319	168-5622-55	5600pF K	C401	168-1042-78	16V 0.1uF
C142	168-1042-78	16V 0.1uF	C320	168-5622-55	5600pF K	C402	168-1042-78	16V 0.1uF

REF No.	PART No.	DESCRIPTION	REF No.	PART No.	DESCRIPTION	REF No.	PART No.	DESCRIPTION
C404	166-5096-50	5pF CH	C931	168-1042-78	16V 0.1uF	Q101	198-3018-00	2SK3018
C406	166-5096-50	5pF CH	CCT301	050-0145-52	1/16W 1k ohm x4	Q102	198-3018-00	2SK3018
C407	168-1042-78	16V 0.1uF	CCT401	050-0145-52	1/16W 1k ohm x4	Q104	125-9017-92	UMD3N
C408	163-4763-15	6.3V 47uF	CCT402	050-0145-52	1/16W 1k ohm x4	Q105	125-2027-91	DTC114EUA
C409	168-1042-78	16V 0.1uF	CCT403	050-0145-52	1/16W 1k ohm x4	Q106	125-2027-91	DTC114EUA
C412	168-1032-55	0.01uF K	CCT404	050-0145-52	1/16W 1k ohm x4	Q107	125-2027-91	DTC114EUA
C413	163-1073-35	16V 100uF	D106	001-0516-90	MA111	Q108	125-2027-91	DTC114EUA
C501	168-1042-78	16V 0.1uF	D108	001-0529-48	MA8091H	Q109	192-5886-00	2SC5886A
C502	168-1042-78	16V 0.1uF	D109	001-0516-90	MA111	Q110	125-2027-95	DTC143ZU
C503	168-1042-78	16V 0.1uF	D204	001-0516-90	MA111	Q111	190-2060-00	2SA2060
C504	168-1042-78	16V 0.1uF	D208	001-0516-90	MA111	Q112	125-9017-92	UMD3N
C505	166-5611-50	560pF CH	D210	001-0529-72	MA8200M	Q201	192-4081-00	2SC4081
C506	166-5611-50	560pF CH	D211	001-9210-50	AVR-M1608C270MTAAD	Q204	125-2027-91	DTC114EUA
C507	166-5611-50	560pF CH	D212	001-9210-50	AVR-M1608C270MTAAD	Q205	125-0020-91	UN5111
C508	166-5611-50	560pF CH	D213	001-9210-50	AVR-M1608C270MTAAD	Q206	198-3018-00	2SK3018
C509	166-2201-50	22pF CH	D214	001-9210-50	AVR-M1608C270MTAAD	Q207	198-3018-00	2SK3018
C510	166-2201-50	22pF CH	D502	001-2624-90	RB501V-40	Q215	125-0020-96	UN5110
C513	166-2201-50	22pF CH	D504	001-2627-90	SSA24	Q216	125-2026-91	UN5211
C514	166-2201-50	22pF CH	D505	001-0529-48	MA8091H	Q219	125-2027-95	DTC143ZU
C516	166-5611-50	560pF CH	D506	001-0516-90	MA111	Q220	191-1197-50	2SB1197K Q,R
C517	166-5611-50	560pF CH	D508	001-0529-48	MA8091H	Q222	125-9017-92	UMD3N
C518	043-0566-90	50V 2.2uF	D509	001-2412-90	RR264M	Q301	125-7007-90	SI5441BDC
C519	166-5611-50	560pF CH	D510	001-2015-00	RL253	Q302	125-2027-91	DTC114EUA
C520	166-5611-50	560pF CH	D511	001-0516-90	MA111	Q303	125-2027-91	DTC114EUA
C523	163-1063-35	16V 10uF	D512	001-0529-48	MA8091H	Q304	125-2027-91	DTC114EUA
C525	043-0554-90	25V 10uF	D513	001-2412-90	RR264M	Q305	125-2027-91	DTC114EUA
C526	043-0328-90	50V 0.1uF	D514	001-0516-90	MA111	Q306	125-2027-91	DTC114EUA
C528	168-1022-55	1000pF K	D515	001-0529-34	MA8062L	Q307	125-2027-91	DTC114EUA
C529	043-0548-50	2.2uF	D516	001-0516-90	MA111	Q308	125-2027-91	DTC114EUA
C530	163-1073-35	16V 100uF	D567	001-0516-90	MA111	Q401	125-2027-91	DTC114EUA
C531	168-6822-55	6800pF K	D568	001-0516-90	MA111	Q402	125-0020-91	UN5111
C532	168-1042-78	16V 0.1uF	D569	001-4301-68	HZU18B1	Q403	191-0709-00	2SB709A Q,R,S
C548	163-4763-35	16V 47uF	D570	001-4301-68	HZU18B1	Q404	192-2712-00	2SC2712
C549	163-2273-25	10V 220uF	D571	001-4301-68	HZU18B1	Q501	125-9017-92	UMD3N
C550	168-2212-55	220pF K	D572	001-2412-90	RR264M	Q503	125-2027-91	DTC114EUA
C551	166-2201-50	22pF CH	IC101	051-6524-90	AK2301AXP	Q504	191-1197-50	2SB1197K Q,R
C552	042-0592-61	16V 47uF	IC103	051-3034-90	NJM4558V	Q506	125-2027-91	DTC114EUA
C553	042-0592-61	16V 47uF	IC104	051-0352-91	TA78L05F	Q507	191-1197-50	2SB1197K Q,R
C554	189-1083-32	16V 1000uF	IC107	051-7255-08	SN74AHC1G66H	Q508	192-4081-00	2SC4081
C556	043-0499-51	50V 0.1uF	IC204	051-3340-00	LD1085P	Q509	192-5886-00	2SC5886A
C557	163-4763-35	16V 47uF	IC205	051-3367-90	NJU7780U1-33	Q515	193-1664-00	2SD1664
C558	168-2222-55	2200pF K	IC301	-----	SAF7730HV/N317	Q516	192-4116-61	2SC4116 G,L
C559	168-2222-55	2200pF K	IC302	051-3344-90	BD3930FP	Q517	191-1204-61	2SB1204 R,S,T
C560	168-2222-55	2200pF K	IC402	-----	M30876FJBJGP	Q518	125-2027-91	DTC114EUA
C561	168-6822-55	6800pF K	IC404	051-5417-38	R3112N271A-TR-FA	Q519	191-1197-50	2SB1197K Q,R
C562	168-2222-55	2200pF K	IC406	051-9425-90	BR24L64F	Q520	192-4081-00	2SC4081
C563	168-2222-55	2200pF K	IC501	051-3019-90	NJM2060V	Q521	192-4081-00	2SC4081
C564	042-0427-94	16V 47uF	IC502	051-3372-90	LT1767	Q522	125-2027-91	DTC114EUA
C565	168-2222-55	2200pF K	IC505	051-3034-90	NJM4558V	R103	119-3321-15	1/10W 3.3k ohm
C566	168-2222-55	2200pF K	IC506	051-5441-08	BD4828G	R106	119-0000-05	1/10W 0 ohm JW
C567	168-1042-78	16V 0.1uF	IC507	051-3341-90	BD3931FP	R109	119-3321-15	1/10W 3.3k ohm
C568	168-2222-55	2200pF K	IC700	051-3019-90	NJM2060V	R111	119-3321-15	1/10W 3.3k ohm
C569	168-2222-55	2200pF K	IC701	051-3019-90	NJM2060V	R112	119-0000-05	1/10W 0 ohm JW
C570	168-1042-78	16V 0.1uF	J201	074-1302-12	TH12P-SOCKET	R113	119-3321-15	1/10W 3.3k ohm
C571	163-1073-35	16V 100uF	J202	074-1237-69	19P	R116	119-2741-15	1/10W 270k ohm
C572	178-1052-78	1uF	J204	074-1013-00	12P	R117	119-3331-15	1/10W 33k ohm
C573	168-1042-78	16V 0.1uF	J502	074-4009-20	SOCKET(20P)	R118	119-3931-15	1/10W 39k ohm
C574	163-1063-35	16V 10uF	L105	010-2003-04	30uH	R121	119-3931-15	1/10W 39k ohm
C575	168-2232-55	0.022uF K	L106	010-3104-54	600 ohm/100MHz	R122	119-1031-15	1/10W 10k ohm
C577	166-4701-50	47pF CH	L107	010-3104-54	600 ohm/100MHz	R123	119-1031-15	1/10W 10k ohm
C704	043-0548-50	2.2uF	L108	010-2198-50	0.15uH	R124	119-3931-15	1/10W 39k ohm
C705	043-0548-50	2.2uF	L301	010-3104-54	600 ohm/100MHz	R125	119-1031-15	1/10W 10k ohm
C706	166-5601-50	56pF CH	L302	010-3104-54	600 ohm/100MHz	R126	119-1011-15	1/10W 100 ohm
C707	166-5601-50	56pF CH	L303	010-3104-54	600 ohm/100MHz	R127	119-4731-15	1/10W 47k ohm
C712	166-5601-50	56pF CH	L304	010-3104-54	600 ohm/100MHz	R128	119-4731-15	1/10W 47k ohm
C713	166-5601-50	56pF CH	L305	010-3104-54	600 ohm/100MHz	R129	119-4731-15	1/10W 47k ohm
C716	043-0548-50	2.2uF	L306	010-3104-54	600 ohm/100MHz	R130	119-8221-15	1/10W 8.2k ohm
C717	043-0548-50	2.2uF	L307	010-3104-54	600 ohm/100MHz	R131	119-1011-15	1/10W 100 ohm
C718	166-5601-50	56pF CH	L308	010-3104-54	600 ohm/100MHz	R132	119-1011-15	1/10W 100 ohm
C719	166-5601-50	56pF CH	L309	010-3104-54	600 ohm/100MHz	R134	119-1031-15	1/10W 10k ohm
C724	166-5601-50	56pF CH	L310	010-3104-54	600 ohm/100MHz	R135	119-2231-15	1/10W 22k ohm
C725	166-5601-50	56pF CH	L311	010-3104-54	600 ohm/100MHz	R136	116-6891-15	1/4W 6.8 ohm
C726	163-3363-25	10V 33uF	L312	010-3104-54	600 ohm/100MHz	R138	119-1031-15	1/10W 10k ohm
C727	163-3363-25	10V 33uF	L313	010-3104-54	600 ohm/100MHz	R139	119-1041-15	1/10W 100k ohm
C728	163-3363-25	10V 33uF	L402	010-3406-54	2.2uH	R140	119-1001-15	1/10W 10 ohm
C729	163-3363-25	10V 33uF	L403	010-3104-54	600 ohm/100MHz	R141	119-1031-15	1/10W 10k ohm
C730	163-3363-25	10V 33uF	L501	010-3104-54	600 ohm/100MHz	R143	119-2231-15	1/10W 22k ohm
C731	163-3363-25	10V 33uF	L503	010-3104-54	600 ohm/100MHz	R144	119-2231-15	1/10W 22k ohm
C732	163-3363-25	10V 33uF	L504	010-3074-51	5.4uH	R145	119-1001-15	1/10W 10 ohm
C733	163-3363-25	10V 33uF	L508	010-8028-00	520uH	R146	119-1031-15	1/10W 10k ohm
C928	042-0423-97	16V 10uF	P101	076-3011-66	16P	R148	116-1091-15	1/4W 1 ohm
C929	168-1045-56	0.1uF Z	P401	076-0478-59	9P	R149	116-1221-15	1/4W 1.2k ohm
C930	163-4763-35	16V 47uF	P402	076-3011-72	22P	R150	116-3911-15	1/4W 390 ohm

REF No.	PART No.	DESCRIPTION	REF No.	PART No.	DESCRIPTION	REF No.	PART No.	DESCRIPTION
R151	119-1031-15	1/10W 10k ohm	R349	119-0000-05	1/10W 0 ohm JW	R499	119-0000-05	1/10W 0 ohm JW
R152	119-0000-05	1/10W 0 ohm JW	R350	119-1031-15	1/10W 10k ohm	R500	119-0000-05	1/10W 0 ohm JW
R153	119-1041-15	1/10W 100k ohm	R351	119-0000-05	1/10W 0 ohm JW	R501	116-8211-15	1/4W 820 ohm
R162	119-0000-05	1/10W 0 ohm JW	R352	119-4731-15	1/10W 47k ohm	R502	119-1031-15	1/10W 10k ohm
R165	119-1031-15	1/10W 10k ohm	R353	119-1021-15	1/10W 1k ohm	R503	119-1031-15	1/10W 10k ohm
R166	119-1031-15	1/10W 10k ohm	R354	119-1021-15	1/10W 1k ohm	R504	119-1031-15	1/10W 10k ohm
R167	119-1031-15	1/10W 10k ohm	R355	119-1021-15	1/10W 1k ohm	R505	119-1031-15	1/10W 10k ohm
R168	119-1031-15	1/10W 10k ohm	R356	119-1021-15	1/10W 1k ohm	R506	116-8211-15	1/4W 820 ohm
R169	119-1031-15	1/10W 10k ohm	R357	119-4731-15	1/10W 47k ohm	R507	119-1031-15	1/10W 10k ohm
R170	119-1031-15	1/10W 10k ohm	R358	119-1001-15	1/10W 10 ohm	R508	119-1031-15	1/10W 10k ohm
R171	119-0000-05	1/10W 0 ohm JW	R359	119-4731-15	1/10W 47k ohm	R509	119-1031-15	1/10W 10k ohm
R172	119-0000-05	1/10W 0 ohm JW	R360	119-4731-15	1/10W 47k ohm	R510	119-1031-15	1/10W 10k ohm
R173	119-1531-15	1/10W 15k ohm	R361	119-4731-15	1/10W 47k ohm	R511	116-8211-15	1/4W 820 ohm
R174	119-2231-15	1/10W 22k ohm	R362	119-4731-15	1/10W 47k ohm	R512	119-1031-15	1/10W 10k ohm
R175	119-1021-15	1/10W 1k ohm	R400	119-0000-05	1/10W 0 ohm JW	R513	119-1031-15	1/10W 10k ohm
R176	119-3931-15	1/10W 39k ohm	R401	119-1021-15	1/10W 1k ohm	R514	119-1051-15	1/10W 1M ohm
R177	119-6821-15	1/10W 6.8k ohm	R402	119-1021-15	1/10W 1k ohm	R515	119-1051-15	1/10W 1M ohm
R202	119-0000-05	1/10W 0 ohm JW	R403	119-1021-15	1/10W 1k ohm	R516	119-0000-05	1/10W 0 ohm JW
R203	119-0000-05	1/10W 0 ohm JW	R404	119-0000-05	1/10W 0 ohm JW	R517	119-1051-15	1/10W 1M ohm
R204	119-0000-05	1/10W 0 ohm JW	R405	119-1021-15	1/10W 1k ohm	R518	119-1051-15	1/10W 1M ohm
R205	119-0000-05	1/10W 0 ohm JW	R406	119-1021-15	1/10W 1k ohm	R519	119-1031-15	1/10W 10k ohm
R206	119-0000-05	1/10W 0 ohm JW	R407	119-1021-15	1/10W 1k ohm	R520	119-1031-15	1/10W 10k ohm
R207	119-3011-15	1/10W 300 ohm	R408	119-4721-15	1/10W 4.7k ohm	R521	119-1031-15	1/10W 10k ohm
R208	119-3011-15	1/10W 300 ohm	R409	119-4721-15	1/10W 4.7k ohm	R522	119-1031-15	1/10W 10k ohm
R210	119-1021-15	1/10W 1k ohm	R410	119-4731-15	1/10W 47k ohm	R523	119-1031-15	1/10W 10k ohm
R212	119-3331-15	1/10W 33k ohm	R411	119-3311-15	1/10W 330 ohm	R524	119-1031-15	1/10W 10k ohm
R215	119-4731-15	1/10W 47k ohm	R412	119-3311-15	1/10W 330 ohm	R525	119-1031-15	1/10W 10k ohm
R220	119-1041-15	1/10W 100k ohm	R413	119-4731-15	1/10W 47k ohm	R526	119-1031-15	1/10W 10k ohm
R224	119-4721-15	1/10W 4.7k ohm	R416	119-4731-15	1/10W 47k ohm	R530	032-0140-50	1/10W 10k ohm F
R225	119-0000-05	1/10W 0 ohm JW	R417	119-4731-15	1/10W 47k ohm	R531	032-0140-80	1/10W 18k ohm F
R227	119-4721-15	1/10W 4.7k ohm	R422	119-1011-15	1/10W 100 ohm	R533	119-1031-15	1/10W 10k ohm
R229	119-4721-15	1/10W 4.7k ohm	R423	119-1011-15	1/10W 100 ohm	R534	119-1031-15	1/10W 10k ohm
R233	119-4721-15	1/10W 4.7k ohm	R424	119-1011-15	1/10W 100 ohm	R535	032-0140-22	1/10W 68k ohm F
R243	119-1031-15	1/10W 10k ohm	R425	119-1011-15	1/10W 100 ohm	R536	119-1001-15	1/10W 10 ohm
R244	119-6821-15	1/10W 6.8k ohm	R426	119-1011-15	1/10W 100 ohm	R537	119-4721-15	1/10W 4.7k ohm
R245	119-4731-15	1/10W 47k ohm	R427	119-1011-15	1/10W 100 ohm	R538	119-2221-15	1/10W 2.2k ohm
R248	116-2201-15	1/4W 22 ohm	R428	119-1031-15	1/10W 10k ohm	R539	119-1041-15	1/10W 100k ohm
R249	032-0140-98	1/10W 330k ohm F	R429	119-1031-15	1/10W 10k ohm	R540	116-6811-15	1/4W 680 ohm
R250	116-1221-15	1/4W 1.2k ohm	R436	119-1021-15	1/10W 1k ohm	R553	119-1031-15	1/10W 10k ohm
R251	032-0140-93	1/10W 2k ohm F	R437	119-1021-15	1/10W 1k ohm	R554	119-1031-15	1/10W 10k ohm
R252	119-1031-15	1/10W 10k ohm	R440	119-4731-15	1/10W 47k ohm	R563	116-3911-15	1/4W 390 ohm
R301	119-1031-15	1/10W 10k ohm	R441	119-1021-15	1/10W 1k ohm	R564	116-1221-15	1/4W 1.2k ohm
R302	119-1031-15	1/10W 10k ohm	R442	119-1031-15	1/10W 10k ohm	R565	116-1221-15	1/4W 1.2k ohm
R303	119-2201-15	1/10W 22 ohm	R443	119-4731-15	1/10W 47k ohm	R566	119-1521-15	1/10W 1.5k ohm
R304	032-0140-80	1/10W 18k ohm F	R445	119-0000-05	1/10W 0 ohm JW	R567	119-1031-15	1/10W 10k ohm
R305	032-0140-80	1/10W 18k ohm F	R446	119-4731-15	1/10W 47k ohm	R568	116-1221-15	1/4W 1.2k ohm
R306	032-0140-80	1/10W 18k ohm F	R447	119-1031-15	1/10W 10k ohm	R569	116-1221-15	1/4W 1.2k ohm
R307	032-0140-80	1/10W 18k ohm F	R448	119-4731-15	1/10W 47k ohm	R570	119-1031-15	1/10W 10k ohm
R311	119-0000-05	1/10W 0 ohm JW	R449	119-1021-15	1/10W 1k ohm	R571	119-4721-15	1/10W 4.7k ohm
R314	119-1011-15	1/10W 100 ohm	R450	119-4731-15	1/10W 47k ohm	R572	119-1031-15	1/10W 10k ohm
R315	119-1031-15	1/10W 10k ohm	R451	119-4731-15	1/10W 47k ohm	R573	032-0148-50	1/10W 100k ohm D
R316	119-1021-15	1/10W 1k ohm	R452	119-4731-15	1/10W 47k ohm	R574	032-0140-16	1/10W 180k ohm F
R317	032-0140-50	1/10W 10k ohm F	R453	119-4731-15	1/10W 47k ohm	R575	116-2721-15	1/4W 2.7k ohm
R318	119-3921-15	1/10W 3.9k ohm	R454	119-4731-15	1/10W 47k ohm	R576	116-1531-15	1/4W 15k ohm
R319	032-0140-50	1/10W 10k ohm F	R455	119-2231-15	1/10W 22k ohm	R577	119-0000-05	1/10W 0 ohm JW
R320	119-3921-15	1/10W 3.9k ohm	R456	119-4731-15	1/10W 47k ohm	R578	119-2221-15	1/10W 2.2k ohm
R321	119-1031-15	1/10W 10k ohm	R458	119-1011-15	1/10W 100 ohm	R580	116-1531-15	1/4W 15k ohm
R322	119-0000-05	1/10W 0 ohm JW	R459	119-1011-15	1/10W 100 ohm	R581	119-1031-15	1/10W 10k ohm
R323	119-1031-15	1/10W 10k ohm	R460	119-4721-15	1/10W 4.7k ohm	R582	119-5611-15	1/10W 560 ohm
R324	119-1041-15	1/10W 100k ohm	R461	119-4721-15	1/10W 4.7k ohm	R583	116-4791-15	1/4W 4.7 ohm
R325	119-1041-15	1/10W 100k ohm	R464	119-2231-15	1/10W 22k ohm	R584	116-4791-15	1/4W 4.7 ohm
R326	119-1001-15	1/10W 10 ohm	R465	119-4731-15	1/10W 47k ohm	R585	119-1031-15	1/10W 10k ohm
R327	119-3921-15	1/10W 3.9k ohm	R468	119-1031-15	1/10W 10k ohm	R586	119-0000-05	1/10W 0 ohm JW
R328	119-0000-05	1/10W 0 ohm JW	R469	119-1031-15	1/10W 10k ohm	R587	119-2231-15	1/10W 22k ohm
R329	119-1021-15	1/10W 1k ohm	R470	119-4731-15	1/10W 47k ohm	R588	119-3321-15	1/10W 3.3k ohm
R330	119-3921-15	1/10W 3.9k ohm	R471	119-1241-15	1/10W 120k ohm	R590	119-0000-05	1/10W 0 ohm JW
R331	119-0000-05	1/10W 0 ohm JW	R472	119-3331-15	1/10W 33k ohm	R591	119-0000-05	1/10W 0 ohm JW
R332	032-0140-50	1/10W 10k ohm F	R473	119-6801-15	1/10W 68 ohm	R592	119-0000-05	1/10W 0 ohm JW
R334	032-0140-50	1/10W 10k ohm F	R474	119-2241-15	1/10W 220k ohm	R594	119-1051-15	1/10W 1M ohm
R336	032-0140-50	1/10W 10k ohm F	R483	119-0000-05	1/10W 0 ohm JW	R714	119-3321-15	1/10W 3.3k ohm
R337	032-0140-50	1/10W 10k ohm F	R484	119-0000-05	1/10W 0 ohm JW	R715	119-3321-15	1/10W 3.3k ohm
R338	119-1031-15	1/10W 10k ohm	R485	119-0000-05	1/10W 0 ohm JW	R716	119-2231-15	1/10W 22k ohm
R339	119-1031-15	1/10W 10k ohm	R488	119-0000-05	1/10W 0 ohm JW	R717	119-1531-15	1/10W 15k ohm
R340	032-0140-50	1/10W 10k ohm F	R489	119-0000-05	1/10W 0 ohm JW	R718	117-3301-15	1/8W 33 ohm
R341	032-0140-50	1/10W 10k ohm F	R490	119-0000-05	1/10W 0 ohm JW	R719	117-3301-15	1/8W 33 ohm
R342	119-1031-15	1/10W 10k ohm	R491	119-0000-05	1/10W 0 ohm JW	R720	119-1531-15	1/10W 15k ohm
R343	119-1031-15	1/10W 10k ohm	R492	119-0000-05	1/10W 0 ohm JW	R721	119-2231-15	1/10W 22k ohm
R344	119-1011-15	1/10W 100 ohm	R493	119-0000-05	1/10W 0 ohm JW	R722	119-5631-15	1/10W 56k ohm
R345	119-1011-15	1/10W 100 ohm	R494	119-0000-05	1/10W 0 ohm JW	R723	119-5631-15	1/10W 56k ohm
R346	119-0000-05	1/10W 0 ohm JW	R495	119-0000-05	1/10W 0 ohm JW	R724	119-1031-15	1/10W 10k ohm
R347	119-0000-05	1/10W 0 ohm JW	R497	119-0000-05	1/10W 0 ohm JW	R725	119-1031-15	1/10W 10k ohm
R348	119-0000-05	1/10W 0 ohm JW	R498	119-0000-05	1/10W 0 ohm JW	R726	119-2231-15	1/10W 22k ohm

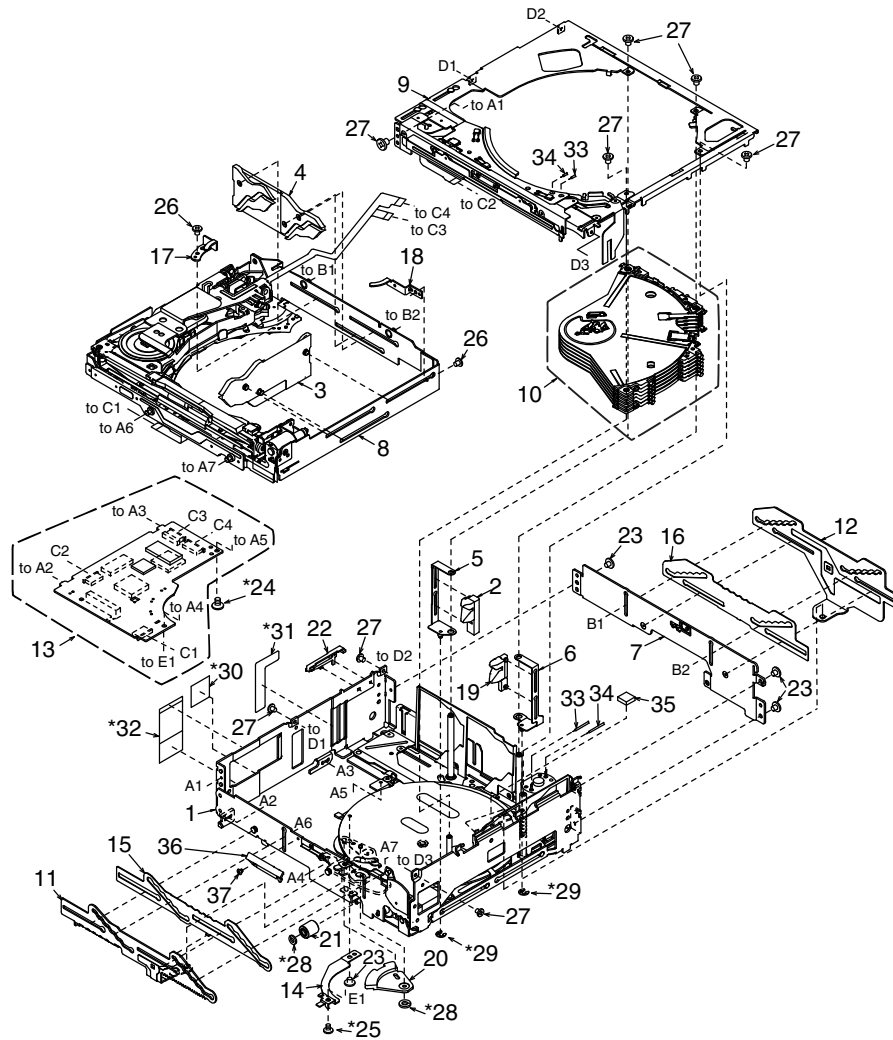
REF No.	PART No.	DESCRIPTION	REF No.	PART No.	DESCRIPTION	REF No.	PART No.	DESCRIPTION
R727	117-3301-15	1/8W 33 ohm	R742	119-5631-15	1/10W 56k ohm	TH201	002-0229-00	PTH8L05BAIR8M1B
R728	117-3301-15	1/8W 33 ohm	R743	119-5631-15	1/10W 56k ohm	TM101	073-0762-90	TERMINAL
R729	119-2231-15	1/10W 22k ohm	R744	119-1031-15	1/10W 10k ohm	TM102	073-0762-90	TERMINAL
R734	119-3321-15	1/10W 3.3k ohm	R745	119-1031-15	1/10W 10k ohm	TM201	073-0762-90	TERMINAL
R735	119-3321-15	1/10W 3.3k ohm	R746	119-2231-15	1/10W 22k ohm	TM501	073-0762-90	TERMINAL
R736	119-2231-15	1/10W 22k ohm	R747	117-3301-15	1/8W 33 ohm	TM502	073-0762-90	TERMINAL
R737	119-1531-15	1/10W 15k ohm	R748	117-3301-15	1/8W 33 ohm	X301	061-3537-90	41.6MHz
R738	117-3301-15	1/8W 33 ohm	R749	119-2231-15	1/10W 22k ohm	X401	061-3541-90	10MHz
R739	117-3301-15	1/8W 33 ohm	R943	119-1021-15	1/10W 1k ohm	PWB	039-3250-00	PWB(WITHOUT COMPONENT)
R740	119-1531-15	1/10W 15k ohm	SUP102	060-0122-90	DSP-201M-S00B			
R741	119-2231-15	1/10W 22k ohm	TH101	002-0229-00	PTH8L05BAIR8M1B			

Switch PWB(B2) section

REF No.	PART No.	DESCRIPTION	REF No.	PART No.	DESCRIPTION	REF No.	PART No.	DESCRIPTION
ANT902	060-8062-50	CERAMIC-ANT	D847	001-7093-92	RFA1112H	R817	119-1521-15	1/10W 1.5k ohm
C802	168-1042-78	16V 0.1uF	D848	001-7093-92	RFA1112H	R819	116-3321-15	1/4W 3.3k ohm
C803	168-1042-78	16V 0.1uF	D849	001-7093-92	RFA1112H	R822	119-2721-15	1/10W 2.7k ohm
C804	168-4732-78	0.047uF K	D850	001-7093-92	RFA1112H	R823	116-4721-15	1/4W 4.7k ohm
C805	168-4732-78	0.047uF K	D851	001-7093-92	RFA1112H	R824	119-2721-15	1/10W 2.7k ohm
C806	168-4732-78	0.047uF K	D852	001-7093-92	RFA1112H	R825	116-4721-15	1/4W 4.7k ohm
C807	166-2211-50	220pF CH	D853	001-7093-92	RFA1112H	R826	119-2721-15	1/10W 2.7k ohm
C901	168-1042-78	16V 0.1uF	D855	001-7093-92	RFA1112H	R827	116-3921-15	1/4W 3.9k ohm
C902	166-1011-50	100pF CH	D856	001-7093-92	RFA1112H	R828	119-2721-15	1/10W 2.7k ohm
C903	168-1042-78	16V 0.1uF	D857	001-7093-92	RFA1112H	R829	116-2721-15	1/4W 2.7k ohm
C904	166-1011-50	100pF CH	D858	001-7093-92	RFA1112H	R830	119-2721-15	1/10W 2.7k ohm
C905	166-1011-50	100pF CH	D859	001-7093-92	RFA1112H	R831	116-4721-15	1/4W 4.7k ohm
C906	042-0423-97	16V 10uF	D860	001-7093-92	RFA1112H	R832	119-2721-15	1/10W 2.7k ohm
C907	168-1042-78	16V 0.1uF	D861	001-7093-92	RFA1112H	R833	119-1521-15	1/10W 1.5k ohm
C908	168-1042-78	16V 0.1uF	D862	001-7093-92	RFA1112H	R905	119-2711-15	1/10W 270 ohm
C909	178-3312-78	330pF	D864	001-7093-92	RFA1112H	R909	119-1031-15	1/10W 10k ohm
CCT801	050-0145-52	1/16W 1k ohm x4	D865	001-7093-92	RFA1112H	R914	119-5631-15	1/10W 56k ohm
D801	001-0529-32	MA8056-M	D866	001-7093-92	RFA1112H	R916	119-1821-15	1/10W 1.8k ohm
D802	001-0529-32	MA8056-M	D867	001-7093-92	RFA1112H	R917	119-2711-15	1/10W 270 ohm
D803	001-0529-32	MA8056-M	D869	001-7093-92	RFA1112H	R918	119-1011-15	1/10W 100 ohm
D804	001-0529-32	MA8056-M	D870	001-7093-92	RFA1112H	R919	119-1011-15	1/10W 100 ohm
D805	001-0529-32	MA8056-M	IC801	051-6075-00	LC75816W-8722-	S801	016-7004-00	ROTARY SWITCH
D806	001-7093-92	RFA1112H	IC901	060-8079-90	UGZ55-601D	S802	013-6201-52	SKPMAP010
D807	001-7093-92	RFA1112H	J801	074-3013-22	22P	S803	013-6202-52	SKPMBJE010
D808	001-7093-92	RFA1112H	J901	074-3013-66	16P	S804	013-6202-52	SKPMBJE010
D809	001-7093-92	RFA1112H	LCD801	379-1392-50	INDICATOR (LCD)	S807	013-6202-52	SKPMBJE010
D810	001-7093-92	RFA1112H	L901	010-3104-54	600 ohm/100MHz	S808	013-6201-52	SKPMAP010
D811	001-7093-92	RFA1112H	L902	010-3104-54	600 ohm/100MHz	S809	013-6201-52	SKPMAP010
D812	001-7093-92	RFA1112H	L903	010-3104-54	600 ohm/100MHz	S810	013-6202-52	SKPMBJE010
D813	001-7093-92	RFA1112H	L904	010-3104-54	600 ohm/100MHz	S811	013-6202-52	SKPMBJE010
D814	001-7093-92	RFA1112H	L906	010-3104-54	600 ohm/100MHz	S812	013-6202-52	SKPMBJE010
D815	001-7093-92	RFA1112H	L907	010-3104-54	600 ohm/100MHz	S813	013-6201-52	SKPMAP010
D816	001-7093-92	RFA1112H	L909	010-3104-54	600 ohm/100MHz	S814	013-6201-52	SKPMAP010
D817	001-7093-92	RFA1112H	L910	010-3104-54	600 ohm/100MHz	S815	013-6202-52	SKPMBJE010
D818	001-7093-92	RFA1112H	L911	010-3104-54	600 ohm/100MHz	S816	013-6202-52	SKPMBJE010
D819	001-7093-92	RFA1112H	L912	010-3104-54	600 ohm/100MHz	S818	013-6201-52	SKPMAP010
D820	001-7093-92	RFA1112H	R801	119-0000-05	1/10W 0 ohm JW	S819	013-6201-52	SKPMAP010
D821	001-7093-92	RFA1112H	R802	119-3331-15	1/10W 33k ohm	S820	013-6201-52	SKPMAP010
D822	001-7093-92	RFA1112H	R803	119-1021-15	1/10W 1k ohm	S821	013-6202-52	SKPMBJE010
D823	001-7093-92	RFA1112H	R804	116-3321-15	1/4W 3.3k ohm	S822	013-6201-52	SKPMAP010
D824	001-7093-92	RFA1112H	R805	116-3321-15	1/4W 3.3k ohm	S823	013-6201-52	SKPMAP010
D830	001-7093-92	RFA1112H	R806	116-3321-15	1/4W 3.3k ohm	S824	013-6201-52	SKPMAP010
D831	001-7093-92	RFA1112H	R807	116-3321-15	1/4W 3.3k ohm	S825	013-6201-52	SKPMAP010
D832	001-7093-92	RFA1112H	R808	116-3321-15	1/4W 3.3k ohm	S826	013-6201-52	SKPMAP010
D833	001-7093-92	RFA1112H	R809	116-3921-15	1/4W 3.9k ohm	S827	013-6201-52	SKPMAP010
D834	001-7093-92	RFA1112H	R810	116-2721-15	1/4W 2.7k ohm	S828	013-6201-52	SKPMAP010
D835	001-7093-92	RFA1112H	R811	116-4721-15	1/4W 4.7k ohm	TM901	073-0778-90	TERMINAL
D836	001-7093-92	RFA1112H	R812	116-4721-15	1/4W 4.7k ohm	TM902	073-0778-90	TERMINAL
D837	001-7093-92	RFA1112H	R813	116-4721-15	1/4W 4.7k ohm	TM903	073-0778-90	TERMINAL
D838	001-7093-92	RFA1112H	R814	116-4721-15	1/4W 4.7k ohm	TM904	073-0778-90	TERMINAL
D839	001-7093-92	RFA1112H	R815	116-2421-15	1/4W 2.4k ohm	PWB	039-2925-01	PWB(WITHOUT COMPONENT)
D846	001-7093-92	RFA1112H	R816	116-2421-15	1/4W 2.4k ohm			

EXPLODED VIEW/PARTS LIST

Main section




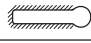



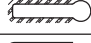


* Do not reuse the following parts.

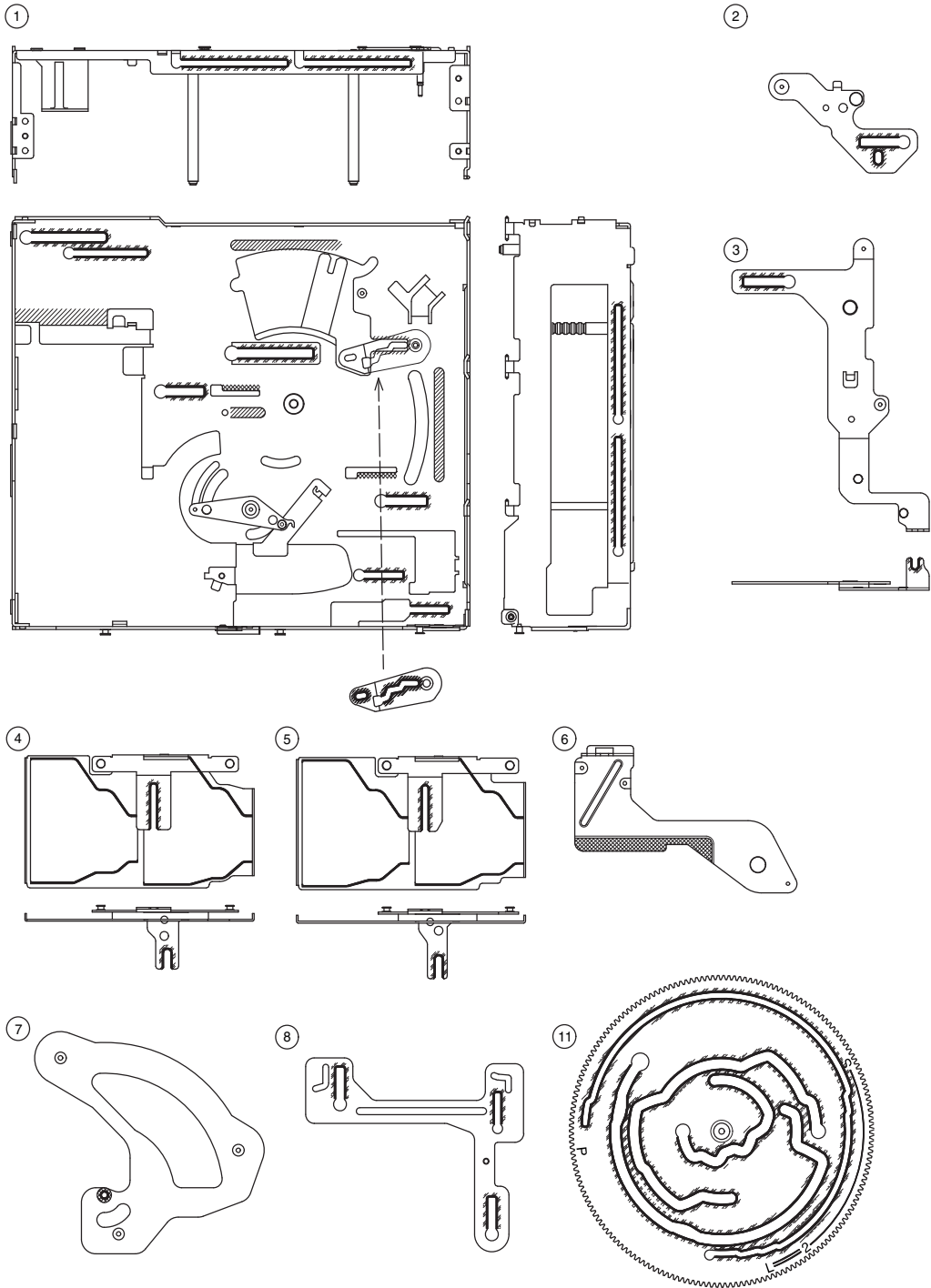
(No.24,25,28,29,30,31,32)

NO.	PART NO.	DESCRIPTION	Q'TY	NO.	PART NO.	DESCRIPTION	Q'TY
1	HBS-610-100	LOWER UNIT ASSY	1	20	621-1636-24	SW LINK	1
2	966-0667-21	DISC STP-ASSY L	1	21	621-1765-20	UD-GEAR-D	1
3	HBS-584-100	DH-SEL-ASSY S	1	22	621-1715-20	FPC-STOPPER	1
4	HBS-583-100	DH-SEL-ASSY R	1	23	716-1850-01	SCREW (M2.0x2.0)	4
5	966-0670-22	DS-SP-ASSY L	1	24	716-3629-00	SCREW (M2.0x2.5)	1
6	966-0671-23	DS-SP-ASSY R	1	25	716-1851-02	SCREW (M2.0x3.0)	1
7	966-0672-21	REAR-P-ASSY	1	26	716-3450-00	SCREW (M1.7x2.0)	2
8	966-1871-21	N-DRIVE-CH UNIT	1	27	716-3451-01	SCREW (M1.7x2.5)	8
9	966-1764-23	UPPRR UNIT ASSY	1	28	746-0761-00	WASHER	2
10	HBS-566-300	DISCHOLDER UNIT	1	29	744-0045-01	C-RING	2
11	966-1771-21	SLIDE-P-ASSY F	1	30	347-7271-00	FPC SHEET	1
12	966-0709-21	SLIDE-P-ASSY R	1	31	347-7275-00	PROTECT SHEET	1
13	HBS-605-100	CD-PWB-ASSY	1	32	347-7276-00	FPC-SHEET C	1
14	620-1640-21	SW-H-PLATE	1	33	800-4921-60	VINYL-COAT WIRE	1
15	620-1778-21	GAP PLATE F	1	34	802-4921-60	VINYL-COAT WIRE	1
16	620-1662-21	GAP PLATE R	1	35	345-5824-00	RUBBER PART	1
17	620-1685-21	DS-PLATE L	1	36	621-1763-20	LOADING GUIDE B	1
18	620-1686-20	DS-PLATE R	1	37	716-1859-01	SCREW (M1.7x2.0)	1
19	621-1634-23	DISC STOPPER R	1				

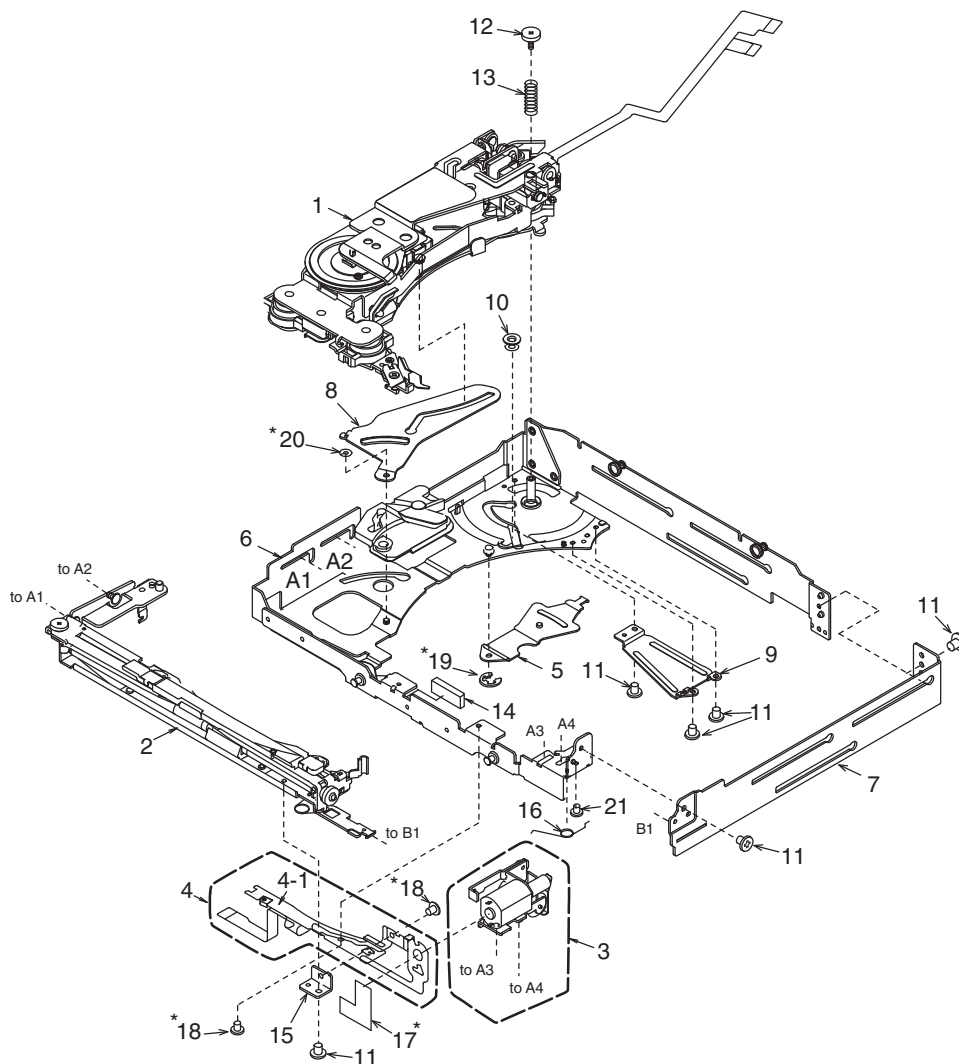
[Grease Point]

* Grease : SANKOL FG-87HSR

	Put grease on the surface	
	Put grease on the reverse side	
	Put grease on the both sides	
	Put grease on the edge	



N-Drive-CH unit section






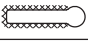




* Do not reuse the following parts. (No.17,18,19,20)

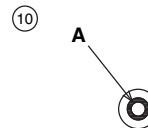
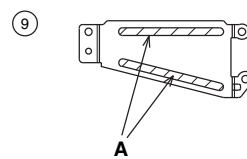
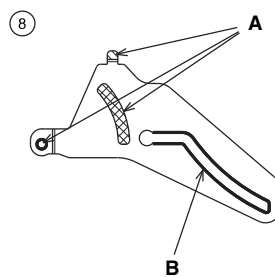
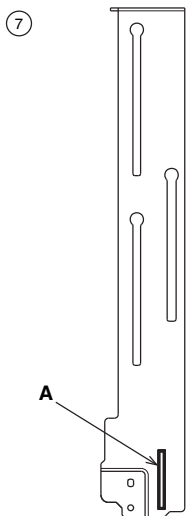
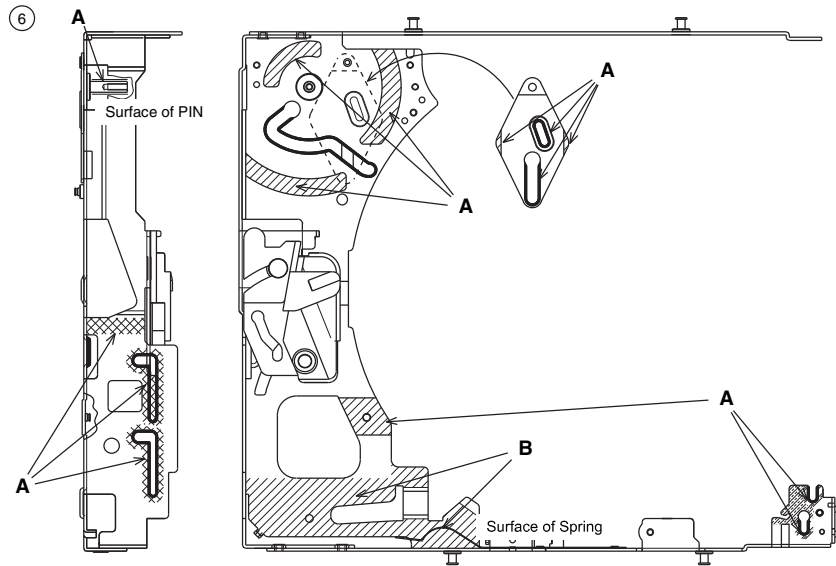
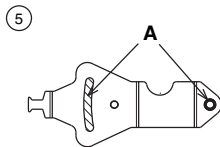
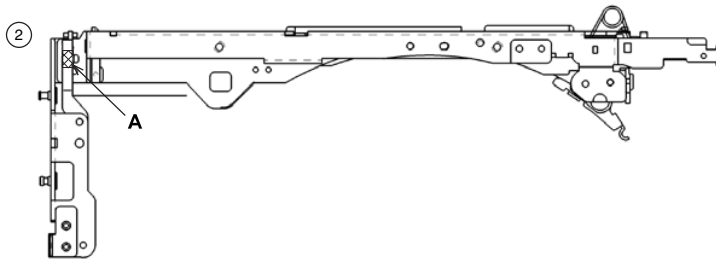
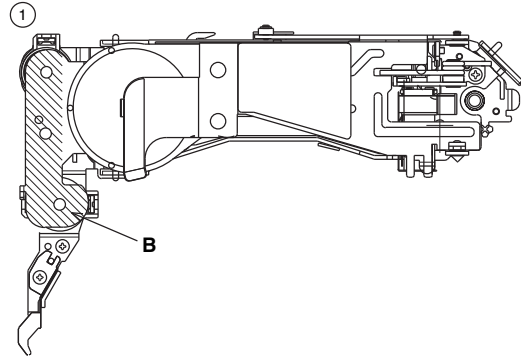
NO.	PART NO.	DESCRIPTION	Q'TY	NO.	PART NO.	DESCRIPTION	Q'TY
1	HBS-604-100	N-DRIVE UNIT	1	11	716-3450-00	SCREW(M1.7x2.0)	6
2	HBS-567-200	LOADING-U-ASSY	1	12	716-3459-01	SCREW(M1.7x2.0)	1
3	HBS-556-100	LO-MOTOR-S-ASSY	1	13	750-6761-20	DRIVE SPRING A	1
4	HBS-552-200	L-SENSOR-S-ASSY	1	14	345-5868-01	RUBBER PART	1
4-1	-----	SENSOR-L-FPC	1	15	620-1651-21	S-PWB-PLATE	1
5	966-0676-21	D-SHT LK-A-ASSY	1	16	750-6754-20	LO-ES-SPRING B	1
6	966-1755-23	DRIVE-CH A ASSY	1	17	345-5424-01	SEN-FPC GUIDE	1
7	620-1681-21	DRIVE CHASSIS B	1	18	716-1859-01	SCREW(M1.7x2.0)	2
8	620-1672-21	DR-SUPPORT-PL	1	19	744-0039-00	E-RING	1
9	620-1680-20	D-SHIFT COVER	1	20	746-0870-00	WASHER	1
10	622-1743-21	D-SHIFT ROLLER B	1				

[Grease Point]

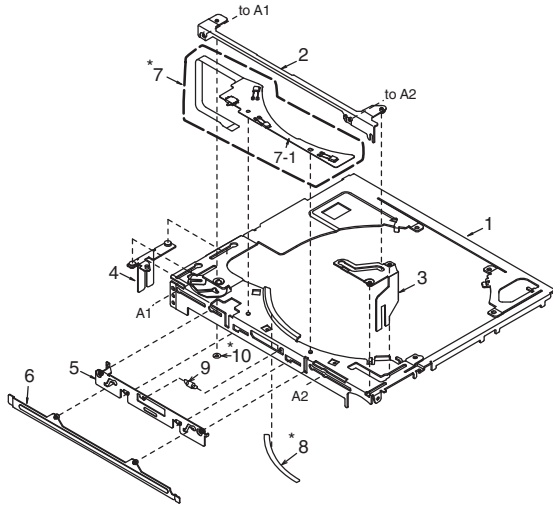
* Grease A : SANKOL FG-87HSR

* Grease B : SANKOL CFD-006MBL

	Put grease on the surface	
	Put grease on the reverse side	
	Put grease on the both sides	
	Put grease on the edge	



Upper unit assy section



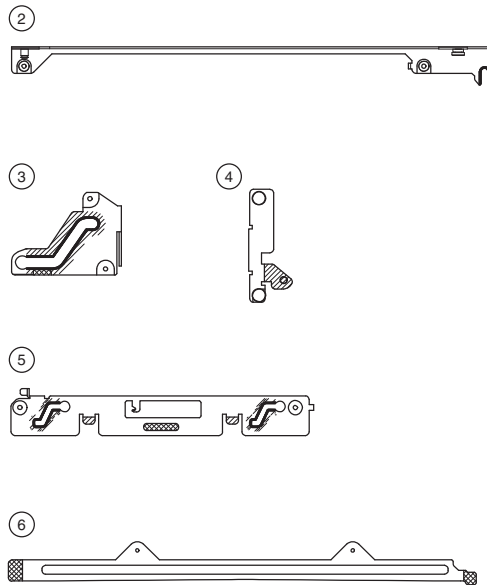
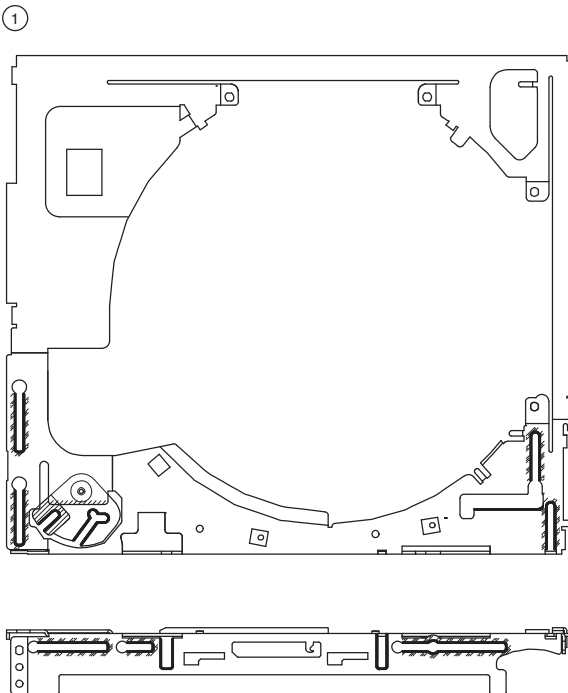
* Do not reuse the following parts. (No.7,8,10)

NO.	PART NO.	DESCRIPTION	Q'TY
1	966-1761-22	UPPER-CHA-ASSY	1
2	966-1765-20	LO-SHIFT A ASSY	1
3	966-0700-22	LO-SHIFT B ASSY	1
4	966-0701-21	LO-SHIFT ASSY	1
5	966-1766-20	SHUTTER-PL-ASSY	1
6	966-1763-20	SHUTTER ASSY	1
7	HBS-553-200	U-SENSOR-S-ASSY	1
7-1	-----	SENSOR-U-FPC	1
8	347-7272-00	RATTLE SHEET	1
9	750-6755-21	SHUTTER SPRING	1
10	746-0870-00	WASHER	1

[Grease Point]

* Grease : SANKOL FG-87HSR

	Put grease on the surface	
	Put grease on the reverse side	
	Put grease on the both sides	
	Put grease on the edge	



ELECTRICAL PARTS LIST

CD PWB(BM1) section

REF No.	PART No.	DESCRIPTION	REF No.	PART No.	DESCRIPTION	REF No.	PART No.	DESCRIPTION
C1	168-1052-78	1uF	C75	168-1042-78	16V 0.1uF	R17	119-1041-15	1/10W 100k ohm
C3	168-1042-78	16V 0.1uF	C76	168-5622-55	5600pF K	R18	119-1041-15	1/10W 100k ohm
C4	043-0559-90	6.3V 22uF	C77	168-1032-55	0.01uF K	R19	119-1041-15	1/10W 100k ohm
C5	168-1032-55	0.01uF K	C79	166-1501-50	15pF CH	R20	119-1041-15	1/10W 100k ohm
C6	042-1702-90	6.3V 100uF	C80	166-1501-50	15pF CH	R21	119-2221-15	1/10W 2.2k ohm
C7	168-1052-78	1uF	C101	043-0563-90	16V 47uF	R22	119-4711-15	1/10W 470 ohm
C9	168-1052-78	1uF	CCT1	050-0145-59	1/16W 22 ohm x4	R23	119-1051-15	1/10W 1M ohm
C11	168-1052-78	1uF	CCT2	050-0145-54	1/16W 47k ohm x4	R24	119-2211-15	1/10W 220 ohm
C12	042-0671-01	10V 47uF TA	CCT3	050-0145-54	1/16W 47k ohm x4	R25	119-2211-15	1/10W 220 ohm
C13	168-1052-78	1uF	CCT4	050-0145-55	1/16W 10k ohm x4	R26	119-1041-15	1/10W 100k ohm
C14	168-1042-78	16V 0.1uF	CCT5	050-0140-55	1/32W 2.2k ohmx4J	R27	119-1051-15	1/10W 1M ohm
C15	168-1052-78	1uF	D1	001-4301-14	HZU 3.0B1	R28	119-1041-15	1/10W 100k ohm
C16	043-0559-90	6.3V 22uF	D2	001-0367-91	1SS226	R29	119-1041-15	1/10W 100k ohm
C17	168-1032-55	0.01uF K	D3	001-4301-13	HZU 2.7B2	R30	119-4701-15	1/10W 47 ohm
C18	168-1052-78	1uF	D4	001-4301-18	HZU 3.6B1	R31	119-2201-15	1/10W 22 ohm
C19	043-0559-90	6.3V 22uF	D5	001-2612-90	RB520S-30	R32	119-1051-15	1/10W 1M ohm
C20	168-1042-78	16V 0.1uF	D6	001-2612-90	RB520S-30	R33	119-2211-15	1/10W 220 ohm
C21	168-1032-55	0.01uF K	D7	001-9210-50	AVR-	R35	119-1051-15	1/10W 1M ohm
C23	043-0559-90	6.3V 22uF			M1608C270MTAAD	R36	119-4721-15	1/10W 4.7k ohm
C24	043-0559-90	6.3V 22uF	D8	001-9210-50	AVR-	R37	119-4731-15	1/10W 47k ohm
C25	168-4732-78	0.047uF K			M1608C270MTAAD	R38	119-2231-15	1/10W 22k ohm
C26	166-4711-50	470pF CH	IC2	052-5071-30	TMP91FY221FG-6R96	R39	119-1041-15	1/10W 100k ohm
C28	168-4732-78	0.047uF K				R40	119-4721-15	1/10W 4.7k ohm
C29	166-4711-50	470pF CH	IC3	051-6733-00	TC94A73MFG-201	R41	119-4731-15	1/10W 47k ohm
C30	166-1007-50	10pF CH	IC4	051-6060-08	BD7961FM-E2	R43	119-4731-15	1/10W 47k ohm
C31	166-1007-50	10pF CH	IC5	051-5445-08	BD5227G-TR	R44	119-2201-15	1/10W 22 ohm
C32	168-1042-78	16V 0.1uF	IC8	051-9402-78	BR93L56RFVM-W	R45	119-1511-15	1/10W 150 ohm
C33	168-2222-55	2200pF K	IC9	051-6072-08	BD7931FE2	R46	119-4721-15	1/10W 4.7k ohm
C34	168-1042-78	16V 0.1uF	IC10	051-5833-00	GP1S093HCZ	R48	119-1041-15	1/10W 100k ohm
C35	168-1042-78	16V 0.1uF	IC11	051-3392-90	S-1323B15NB-N8ATFG	R49	119-0000-05	1/10W 0 ohm JW
C36	168-1042-78	16V 0.1uF				R50	119-2211-15	1/10W 220 ohm
C37	168-6822-55	6800pF K	J1	074-1237-69	19PIN	R51	119-0000-05	1/10W 0 ohm JW
C39	168-1042-78	16V 0.1uF	J2	074-1201-65	15P	R52	119-1041-15	1/10W 100k ohm
C40	168-3332-78	0.033uF K	J3	074-1138-56	6P	R53	119-5621-15	1/10W 5.6k ohm
C41	168-1042-78	16V 0.1uF	J4	074-1100-61	SOCKET 11P	R55	119-3341-15	1/10W 330k ohm
C42	168-1042-78	16V 0.1uF	J5	074-1201-61	11P SOCKET	R56	119-4731-15	1/10W 47k ohm
C43	168-1042-78	16V 0.1uF	Q1	060-0252-01	PT4850F	R57	119-2231-15	1/10W 22k ohm
C45	168-1042-78	16V 0.1uF	Q2	125-0021-91	DTA114EUA	R58	119-0000-05	1/10W 0 ohm JW
C46	168-1042-78	16V 0.1uF	Q3	198-3018-00	2SK3018	R59	119-1511-15	1/10W 150 ohm
C48	168-1042-78	16V 0.1uF	Q4	190-2060-00	2SA2060	R60	119-4731-15	1/10W 47k ohm
C49	168-1042-78	16V 0.1uF	Q8	190-2060-00	2SA2060	R61	119-1041-15	1/10W 100k ohm
C50	168-1042-78	16V 0.1uF	Q9	125-9026-90	IMF29	R62	119-1041-15	1/10W 100k ohm
C51	168-1042-78	16V 0.1uF	Q10	125-2027-91	DTC114EUA	R63	119-1041-15	1/10W 100k ohm
C52	168-5622-55	5600pF K	Q11	125-0021-91	DTA114EUA	R64	119-1011-15	1/10W 100 ohm
C53	168-1042-78	16V 0.1uF	Q12	125-2027-91	DTC114EUA	R65	119-1041-15	1/10W 100k ohm
C54	166-6801-50	68pF CH	Q13	125-9026-90	IMF29	R66	117-5611-15	1/8W 560 ohm
C55	168-1532-55	0.015uF K	R1	119-6811-15	1/10W 680 ohm	R67	117-7511-15	1/8W 750 ohm
C56	168-1042-78	16V 0.1uF	R2	119-6811-15	1/10W 680 ohm	R68	117-7511-15	1/8W 750 ohm
C57	168-1032-55	0.01uF K	R3	032-0163-91	1/2W 10 ohm	R69	119-1041-15	1/10W 100k ohm
C58	168-1042-78	16V 0.1uF	R4	032-0163-91	1/2W 10 ohm	R81	116-1591-15	1/4W 1.5 ohm
C59	168-1042-78	16V 0.1uF	R5	119-2231-15	1/10W 22k ohm	R211	119-1041-15	1/10W 100k ohm
C60	168-1522-55	1500pF K	R6	116-1001-15	1/4W 10 ohm	R212	119-1041-15	1/10W 100k ohm
C61	168-3322-55	3300pF K	R7	119-1021-15	1/10W 1k ohm	S1	013-7416-50	SW SPVL110200
C62	168-1032-55	0.01uF K	R8	116-1591-15	1/4W 1.5 ohm	S2	013-7416-50	SW SPVL110200
C64	168-1042-78	16V 0.1uF	R9	119-2231-15	1/10W 22k ohm	S3	013-7416-50	SW SPVL110200
C65	168-1032-55	0.01uF K	R10	119-4711-15	1/10W 470 ohm	S4	013-7415-50	SPVG110400
C67	168-1032-55	0.01uF K	R11	119-2211-15	1/10W 220 ohm	X1	061-3534-90	16.92MHz
C69	168-1532-55	0.015uF K	R12	119-6811-15	1/10W 680 ohm	X3	060-1545-90	20MHz
C70	166-4701-50	47pF CH	R13	119-1011-15	1/10W 100 ohm	PWB	039-3083-21	PWB(WITHOUT COMPONENTS)
C71	168-1042-78	16V 0.1uF	R14	119-2231-15	1/10W 22k ohm			
C72	168-1042-78	16V 0.1uF	R15	119-8231-15	1/10W 82k ohm			
C74	166-6097-50	6pF CH	R16	119-1041-15	1/10W 100k ohm			

Sensor-L-PFC(BM2) section

REF No.	PART No.	DESCRIPTION	REF No.	PART No.	DESCRIPTION	REF No.	PART No.	DESCRIPTION
PT1	060-0252-01	PT14850F	PT3	051-5833-00	GP1S093HCZ	PWB	039-2467-21	PWB(WITHOUT COMPONENTS)
PT2	060-0252-01	PT14850F						

Sensor-U-PFC(BM3) section

REF No.	PART No.	DESCRIPTION	REF No.	PART No.	DESCRIPTION	REF No.	PART No.	DESCRIPTION
LED1	001-7077-00	GL4804	LED3	001-7077-00	GL4804	PWB	039-2466-20	PWB(WITHOUT COMPONENTS)
LED2	001-7077-00	GL4804	S5	013-7417-50	ABC1122P161			