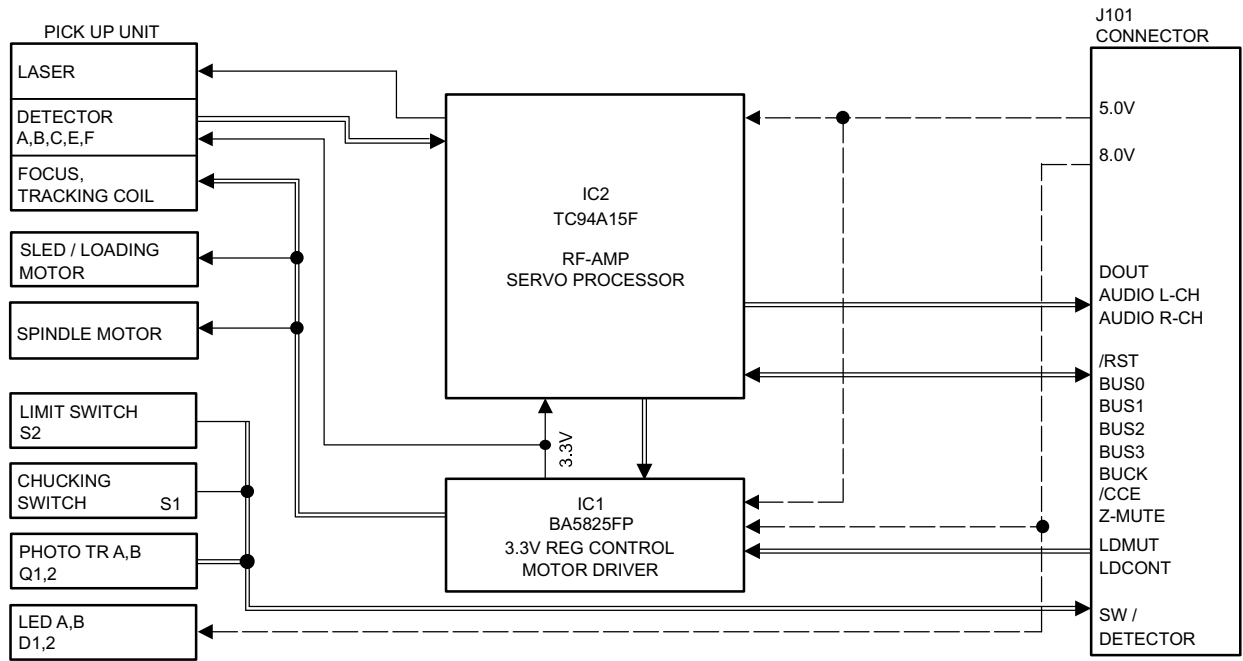
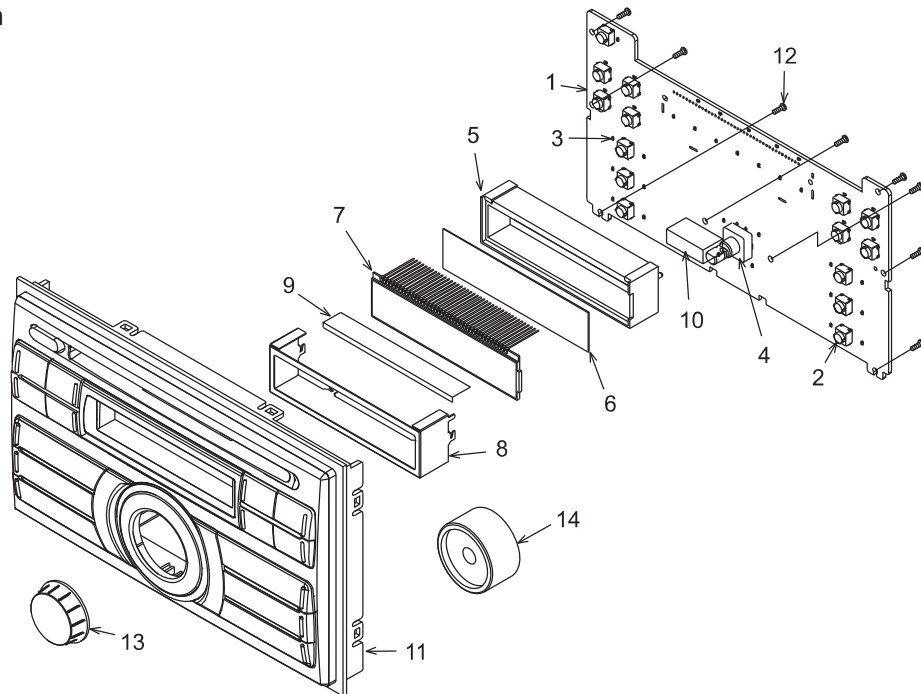


Mechanism section



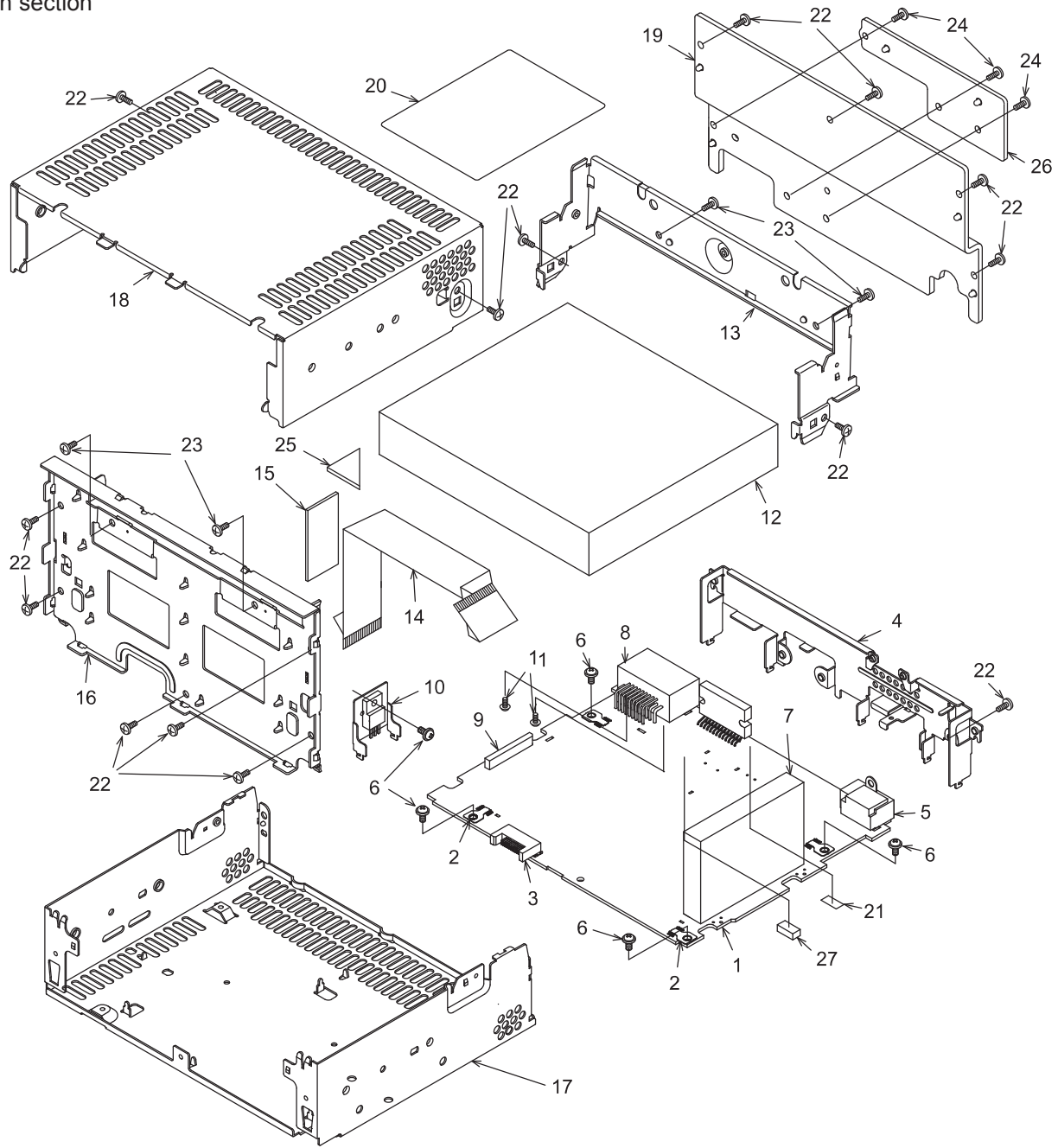
EXPLODED VIEW/PARTS LIST

Escutcheon section



NO.	PART NO.	DESCRIPTION	Q'TY	NO.	PART NO.	DESCRIPTION	Q'TY
1	-----	SWITCH PWB	1	8	331-4048-00	LCD-CVR	1
2	013-6201-52	TACT SWITCH	15	9	345-5877-00	PROTECTOR	1
3	001-7093-91	LED YELLOW	32	10	074-3014-64	OUTLET SOCKET	1
4	016-0026-00	ROTARY ENCODER	1	11	940-8188-00	ESCUTCHEON-ASSY	1
5	335-7532-30	LCD HOLDER	1	12	716-0778-50	WAVE SCREW(M2x6)	8
6	335-7770-00	COLOR FILTER	1	13	380-5689-00	KNOB	1
7	379-1379-30	INDICATOR	1	14	335-7959-00	ILLUMI PLATE	1

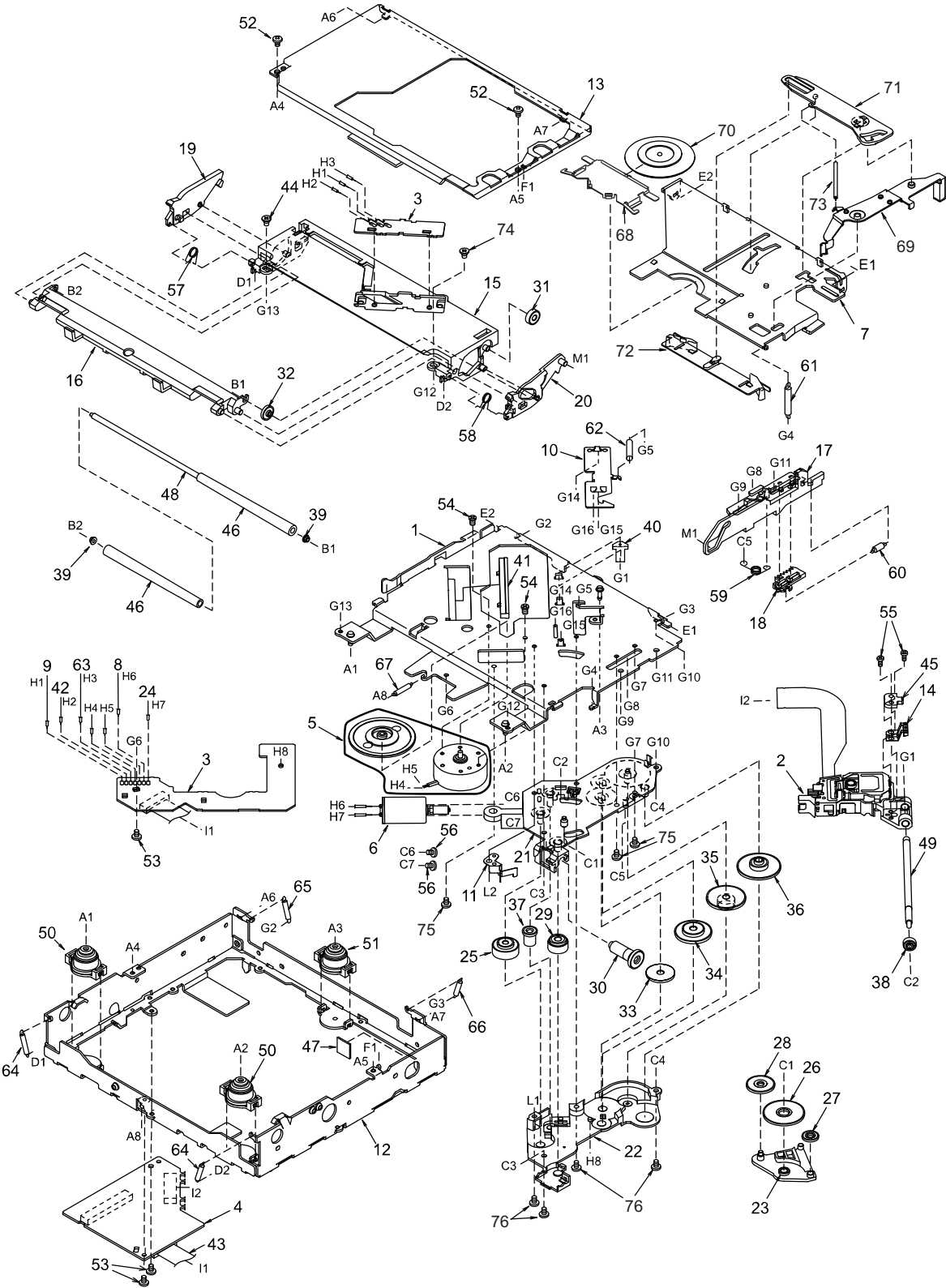
Main section



NO.	PART NO.	DESCRIPTION	Q'TY
1	-----	MAIN PWB	1
2	073-0768-90	TERMINAL	4
3	076-3011-64	14P PLUG	1
4	331-4040-00	REAR PLATE	1
5	092-2210-00	ANT-RECEPT	1
6	716-0878-50	SCREW(M2.6x5)	5
7	880-1921C	TUNER BLOCK	1
8	074-4009-20	OUTLET SOCKET	1
9	074-2003-76	OUTLET SOCKET	1
10	331-3835-00	TR HOLDER	1
11	778-3006-00	TAP-SCREW(M3x5)	2
12	929-5001-81	CD MCHANISM	1
13	331-4038-00	MECH-BRKT	1
14	816-4022-50	FLAT WIRE	1

NO.	PART NO.	DESCRIPTION	Q'TY
15	347-7400-00	WIRE SUPPORT	1
16	331-4039-00	ES-PLATE	1
17	311-1907-00	LOWER CASE	1
18	310-1814-00	UPPER CASE	1
19	313-1950-40	HEAT SINK	1
20	276-0206-01 276-0206-05	SETPLATE(PP-2898H-C) SETPLATE(PP-2898H-F)	1
21	347-8258-00	SPACER	1
22	714-2606-8B	MACHINE SCREW(M2.6x6)	1
23	714-2603-8H	MACHINE SCREW(M2.6x3)	1
24	714-2612-8H	MACHINE SCREW(M2.6x12)	1
25	345-5802-00	CUSHION RUBBER	1
26	313-2005-00	SUB-HEAT SINK	1
27	345-4220-10	RUBBER PART	1

CD Mechanism section



NO.	PART NO.	DESCRIPTION	Q'TY	NO.	PART NO.	DESCRIPTION	Q'TY
1	966-1743-21	DRIVE-PLT-ASSY	1	39	621-1726-20	ROLLER SLEEVE	2
2	969-0071-30	PICKUP-ASSY	1	40	621-0623-23	LS-HOLDER	1
3	-----	LED PWB	1	41	621-0624-22	GUIDE RAIL	1
4	-----	CD PWB	1	42	816-2593-00	LEAD(PUR)	1
5	SMA-182-100	MOTOR ASSY(SPINDELE)	1	43	816-2542-01	FLAT WIRE	1
6	SMA-183-100	MOTOR ASSY(SLED)	1	44	716-3473-01	SCREW(M2x3)	1
7	620-1596-23	CLAMPER LINK	1	45	621-1729-20	SH-BASE	1
8	803-4906-60	VINYL-COAT-WIRE(ORG)	1	46	621-0711-20	LOADING ROLLER	2
9	816-2591-00	LEAD(YEL)	1	47	345-5476-20	CUSHION RUBBER	1
10	620-1753-20	ID-LOCK PLATE	1	48	622-1571-21	ROLLER SHAFT	1
11	620-1026-21	SPRING PLATE	1	49	624-0020-00	LEAD SCREW	1
12	620-1754-20	LOWER CHASSIS	1	50	629-0086-20	DAMPER F	2
13	620-1598-22	UPPER CHASSIS	1	51	629-0087-20	DAMPER R	1
14	966-1722-20	SH-RACK-ASSY	1	52	714-2003-8B	MACHIN SCREW(M2x3)	2
15	621-1742-20	UPPER GUIDE	1	53	716-1507-01	SCREW(M2x3)	3
16	621-0718-21	ROLLER GUIDE	1	54	716-1733-01	SCREW(M1.7x2.3)	2
17	621-1743-20	SHIFT LEVER	1	55	716-3469-01	SCREW(M3x4)	2
18	621-1744-20	RACK	1	56	716-3551-00	SCREW(M1.4x2.5)	2
19	621-1745-20	LOCK ARM L	1	57	750-6797-20	ROLLER SPRING L	1
20	621-1746-20	LOCK ARM R	1	58	750-6798-20	ROLLER SPRING R	1
21	621-1754-20	GEAR BASE	1	59	750-3467-21	SHIFT SPRING	1
22	621-1747-20	GEAR COVER	1	60	750-3468-20	RACK SPRING	1
23	621-1719-20	IDLE CASE	1	61	750-3469-20	CLAMPER SPRING	1
24	816-2590-00	LEAD(GRN)	1	62	750-3470-20	ID-LOCK SPRING	1
25	621-0608-21	SECOND GEAR	1	63	816-2592-00	LEAD(BLU)	1
26	621-0609-20	BASE GEAR	1	64	750-3472-21	DR-SPRING F	2
27	621-0610-20	IDLE GEAR A	1	65	750-3473-20	DR-SPRING RA	1
28	621-0611-20	IDLE GEAR B	1	66	750-3474-20	DR-SPRING RB	1
29	621-0612-21	ROLLER GEAR A	1	67	750-3475-21	DR-SPRING C	1
30	621-0719-20	ROLLER GEAR	1	68	620-1023-23	CLAMPER PLATE	1
31	621-0720-20	ROLLER GEAR C	1	69	620-1752-20	SENSOR ARM	1
32	621-0721-20	ROLLER GEAR D	1	70	621-1753-20	CLAMPER RING	1
33	621-1748-20	POWER GEAR A	1	71	621-0728-20	STOPPER LINK	1
34	621-1749-20	POWER GEAR B	1	72	621-1752-20	DISC STOPPER	1
35	621-1750-20	POWER GEAR C	1	73	750-3471-20	SENSOR SPRING	1
36	621-1751-20	POWER GEAR D	1	74	781-1730-00	SCREW(M1.7x3)	1
37	621-0620-20	THREAD GEAR A	1	75	780-2025-00	SCREW(M2x2.5)	3
38	621-0621-20	THREAD GEAR B	1	76	716-1670-01	SCREW(M2x4)	4

ELECTRICAL PARTS LIST

Main PWB(B1) section

Note) Several different parts of the same reference number are alternative parts.
One of those parts is used in the set.

REF No.	PART No.	DESCRIPTION	REF No.	PART No.	DESCRIPTION	REF No.	PART No.	DESCRIPTION
ANT101	092-2210-00	ANTENNA RECEPT	C204	163-3363-45	25V 33uF	C440	188-1053-68	50V 1uF
BL101	880-1921C	TUNER PACK	C205	168-1022-55	1000pF K	C442	168-1022-55	1000pF K
C101	178-1542-78	0.15uF	C206	166-1011-50	100pF CH	C443	168-1022-55	1000pF K
C102	168-1032-55	0.01uF K	C207	166-1011-50	100pF CH	C444	178-4742-78	0.47uF
C103	168-1032-55	0.01uF K	C208	166-1011-50	100pF CH	C445	178-6832-78	0.068uF
C104	168-2222-55	2200pF K	C209	166-1011-50	100pF CH	C446	178-6832-78	0.068uF
C105	168-1052-78	1uF	C212	166-2201-50	22pF CH	C447	178-4742-78	0.47uF
C106	168-1042-78	16V 0.1uF	C213	168-1042-78	16V 0.1uF	C448	178-4742-78	0.47uF
C107	188-1063-38	16V 10uF	C215	168-1042-78	16V 0.1uF	C450	168-1042-78	16V 0.1uF
C108	166-1511-50	150pF CH	C216	187-1073-27	10V 100uF	C451	172-1041-15	0.1uF
C109	166-4701-50	47pF CH	C218	168-1052-78	1uF	C452	166-2201-50	22pF CH
C110	166-4701-50	47pF CH	C219	168-1042-78	16V 0.1uF	C453	166-2201-50	22pF CH
C111	168-3322-55	3300pF K	C220	166-1007-50	10pF CH	C454	166-2201-50	22pF CH
C112	168-1022-55	1000pF K	C301	168-1052-78	1uF	C455	166-2201-50	22pF CH
C113	168-1022-55	1000pF K	C302	178-1242-78	0.12uF	C501	188-1063-38	16V 10uF
C114	166-1501-50	15pF CH	C303	178-1242-78	0.12uF	C502	188-1063-38	16V 10uF
C115	168-4732-78	0.047uF K	C304	178-1242-78	0.12uF	C503	188-1063-38	16V 10uF
C116	168-1022-55	1000pF K	C305	178-1242-78	0.12uF	C504	188-1063-38	16V 10uF
C117	166-2201-50	22pF CH	C306	168-1052-78	1uF	C509	166-2201-50	22pF CH
C118	187-1073-37	16V 100uF	C307	188-2263-18	6.3V 22uF	C510	166-2201-50	22pF CH
C119	168-1022-55	1000pF K	C308	178-4742-78	0.47uF	C513	166-2201-50	22pF CH
C120	178-1052-78	1uF	C309	168-1222-55	1200pF K	C514	166-2201-50	22pF CH
C121	166-1201-50	12pF CH	C310	168-1222-55	1200pF K	C515	166-2201-50	22pF CH
C122	166-1007-50	10pF CH	C311	178-4742-78	0.47uF	C516	166-2201-50	22pF CH
C123	168-1042-78	16V 0.1uF	C312	168-1052-78	1uF	C519	166-2201-50	22pF CH
C126	188-1073-28	10V 100uF	C313	168-1052-78	1uF	C520	166-2201-50	22pF CH
C127	166-2201-50	22pF CH	C314	178-1842-78	0.18uF	C521	178-4722-78	4700pF
C128	043-0277-51	0.022uF	C315	178-1842-78	0.18uF	C522	178-6822-78	6800pF
C129	168-1042-78	16V 0.1uF	C316	178-1842-78	0.18uF	C523	178-5622-78	5600pF
C130	188-1073-28	10V 100uF	C317	178-1842-78	0.18uF	C524	178-1232-78	0.012uF
C131	168-1022-55	1000pF K	C318	168-8212-55	820pF K	C525	166-2201-50	22pF CH
C132	166-2201-50	22pF CH	C319	168-8212-55	820pF K	C526	166-2201-50	22pF CH
C133	168-1042-78	16V 0.1uF	C320	168-8212-55	820pF K	C527	166-2201-50	22pF CH
C134	042-1458-93	50V 2.2uF	C321	168-8212-55	820pF K	C528	166-2201-50	22pF CH
C135	168-8212-55	820pF K	C322	188-1063-38	16V 10uF	C529	178-5622-78	5600pF
C136	166-2201-50	22pF CH	C323	188-1063-38	16V 10uF	C530	178-1232-78	0.012uF
C137	168-4712-55	470pF K	C324	168-1832-55	0.018uF K	C531	178-4722-78	4700pF
C138	187-4763-37	16V 47uF	C401	188-4763-38	16V 47uF	C532	178-6822-78	6800pF
C139	166-1011-50	100pF CH	C403	042-0416-59	10V 33uF M TAN	C533	178-1042-78	0.1uF
C141	166-1011-50	100pF CH	C405	168-1042-78	16V 0.1uF	C534	178-1042-78	0.1uF
C142	168-1042-78	16V 0.1uF	C407	168-1042-78	16V 0.1uF	C535	178-1242-78	0.12uF
C143	188-1073-28	10V 100uF	C408	042-1452-82	16V 100uF	C536	178-1242-78	0.12uF
C144	168-1052-78	1uF	C409	168-4742-78	0.47uF	C537	178-8232-78	0.082uF
C147	168-1022-55	1000pF K	C410	168-1052-78	1uF	C538	178-8232-78	0.082uF
C148	178-1042-78	0.1uF	C411	168-4722-55	4700pF K	C539	178-5632-78	0.056uF
C150	188-3363-28	10V 33uF	C412	188-1063-38	16V 10uF	C540	178-5632-78	0.056uF
C151	168-3932-78	0.039uF K	C413	178-6832-78	0.068uF	C541	166-2201-50	22pF CH
C152	168-1042-78	16V 0.1uF	C414	178-6832-78	0.068uF	C542	166-2201-50	22pF CH
C153	168-3932-78	0.039uF K	C415	178-4742-78	0.47uF	C543	166-2201-50	22pF CH
C154	188-3353-68	50V 3.3uF	C416	178-4742-78	0.47uF	C544	166-2201-50	22pF CH
C155	168-2245-79	0.22uF Z	C417	187-2253-67	50V 2.2uF	C545	166-2201-50	22pF CH
C156	168-3332-78	0.033uF K	C418	166-1011-50	100pF CH	C546	166-2201-50	22pF CH
C157	168-1032-55	0.01uF K	C419	188-1063-38	16V 10uF	C547	166-2201-50	22pF CH
C158	168-6832-78	0.068uF K	C420	168-1042-78	16V 0.1uF	C548	166-2201-50	22pF CH
C159	168-2222-55	2200pF K	C421	188-1063-38	16V 10uF	C549	178-1242-78	0.12uF
C160	168-3332-78	0.033uF K	C422	172-1041-15	0.1uF	C550	178-1242-78	0.12uF
C161	168-4722-55	4700pF K	C423	189-3383-32	16V 3300uF	C551	178-4732-78	0.047uF
C162	168-3332-78	0.033uF K	C425	168-6822-55	6800pF K	C552	178-4732-78	0.047uF
C163	178-2255-79	2.2uF	C426	168-6822-55	6800pF K	C553	043-0309-92	10V 0.68uF
C164	168-3332-78	0.033uF K	C427	168-6822-55	6800pF K	C554	043-0309-92	10V 0.68uF
C165	178-2255-79	2.2uF	C428	168-6822-55	6800pF K	C555	178-2232-78	0.022uF
C166	168-5632-78	16V 0.056uF	C429	168-1042-78	16V 0.1uF	C556	178-2232-78	0.022uF
C167	168-2232-55	0.022uF K	C430	168-6822-55	6800pF K	C557	178-6832-78	0.068uF
C168	168-1022-55	1000pF K	C431	168-6822-55	6800pF K	C558	178-6832-78	0.068uF
C169	168-8212-55	820pF K	C432	168-6822-55	6800pF K	C559	178-1042-78	0.1uF
C170	166-1007-50	10pF CH	C433	168-6822-55	6800pF K	C560	178-1042-78	0.1uF
C171	166-1007-50	10pF CH	C435	168-1042-78	16V 0.1uF	C561	178-6832-78	0.068uF
C172	166-1007-50	10pF CH	C436	168-1042-78	16V 0.1uF	C562	178-1042-78	0.1uF
C201	166-1007-50	10pF CH	C437	188-1063-38	16V 10uF	C563	166-2201-50	22pF CH
C202	168-1042-78	16V 0.1uF	C438	168-1042-78	16V 0.1uF	C564	166-2201-50	22pF CH
C203	168-1022-55	1000pF K	C439	168-1042-78	16V 0.1uF	C565	166-2201-50	22pF CH

REF No.	PART No.	DESCRIPTION	REF No.	PART No.	DESCRIPTION	REF No.	PART No.	DESCRIPTION
C566	166-2201-50	22pF CH	Q414	193-1306-00	2SD1306	R236	119-1041-15	1/10W 100k ohm
C567	178-6832-78	0.068uF	Q415	192-2712-00	2SC2712	R237	119-4731-15	1/10W 47k ohm
C568	178-1042-78	0.1uF	Q416	192-2712-00	2SC2712	R238	119-4731-15	1/10W 47k ohm
C571	188-1063-38	16V 10uF	Q501	192-2712-00	2SC2712	R240	119-2231-15	1/10W 22k ohm
CCT201	050-0145-52	1/16W 1k ohm x4	R101	119-1041-15	1/10W 100k ohm	R241	119-0000-05	1/10W 0 ohm JW
CCT202	050-0145-52	1/16W 1k ohm x4	R102	119-1041-15	1/10W 100k ohm	R242	119-3341-15	1/10W 330k ohm
CCT203	050-0145-52	1/16W 1k ohm x4	R103	119-2731-15	1/10W 27k ohm	R303	119-0000-05	1/10W 0 ohm JW
CCT204	050-0145-52	1/16W 1k ohm x4	R104	119-2731-15	1/10W 27k ohm	R304	119-0000-05	1/10W 0 ohm JW
CCT205	050-0145-52	1/16W 1k ohm x4	R105	119-1041-15	1/10W 100k ohm	R305	119-0000-05	1/10W 0 ohm JW
CCT206	050-0145-52	1/16W 1k ohm x4	R107	119-1041-15	1/10W 100k ohm	R306	119-0000-05	1/10W 0 ohm JW
CCT207	050-0145-52	1/16W 1k ohm x4	R108	119-1031-15	1/10W 10k ohm	R307	119-0000-05	1/10W 0 ohm JW
CCT208	050-0145-52	1/16W 1k ohm x4	R109	119-1031-15	1/10W 10k ohm	R308	119-0000-05	1/10W 0 ohm JW
CCT209	050-0145-52	1/16W 1k ohm x4	R110	119-5631-15	1/10W 56k ohm	R309	119-1821-15	1/10W 1.8k ohm
CCT211	050-0145-52	1/16W 1k ohm x4	R111	119-3911-15	1/10W 390 ohm	R310	119-3931-15	1/10W 39k ohm
CCT212	050-0145-52	1/16W 1k ohm x4	R112	119-4731-15	1/10W 47k ohm	R311	119-3931-15	1/10W 39k ohm
D101	001-0466-90	S5688B	R113	119-1021-15	1/10W 1k ohm	R312	119-1821-15	1/10W 1.8k ohm
D102	001-9008-90	1SV250	R114	119-1031-15	1/10W 10k ohm	R313	119-4721-15	1/10W 4.7k ohm
D103	001-9008-90	1SV250	R115	119-1031-15	1/10W 10k ohm	R314	119-4721-15	1/10W 4.7k ohm
D401	001-0529-48	MA8091-H	R116	119-1011-15	1/10W 100 ohm	R315	119-4721-15	1/10W 4.7k ohm
D402	001-0516-90	MA111	R117	119-4741-15	1/10W 470k ohm	R316	119-4721-15	1/10W 4.7k ohm
D403	001-0466-90	S5688B	R118	119-1021-15	1/10W 1k ohm	R401	116-4711-15	1/4W 470 ohm
D404	001-0516-90	MA111	R119	119-1021-15	1/10W 1k ohm	R402	116-1821-15	1/4W 1.8k ohm
D405	001-0504-31	HZS6A2L	R121	119-2221-15	1/10W 2.2k ohm	R403	119-2231-15	1/10W 22k ohm
D406	001-0504-45	HZS9B1L	R122	119-2221-15	1/10W 2.2k ohm	R404	119-4741-15	1/10W 470k ohm
D407	001-2015-00	RL253	R123	119-2721-15	1/10W 2.7k ohm	R405	119-1231-15	1/10W 12k ohm
D408	001-0529-48	MA8091-H	R124	119-1021-15	1/10W 1k ohm	R406	119-1021-15	1/10W 1k ohm
D409	001-0529-34	MA8062-L	R125	119-8201-15	1/10W 82 ohm	R407	119-1031-15	1/10W 10k ohm
D410	001-0466-90	S5688B	R126	119-1021-15	1/10W 1k ohm	R408	119-2231-15	1/10W 22k ohm
IC101	051-4617-90	LA1061M-TE-L	R127	119-1021-15	1/10W 1k ohm	R409	119-2231-15	1/10W 22k ohm
IC102	051-3020-90	NJM4565V	R130	119-0000-05	1/10W 0 ohm JW	R410	119-2231-15	1/10W 22k ohm
IC103	051-4618-90	HA12181FP-EL-E	R132	119-1001-15	1/10W 10 ohm	R411	119-2231-15	1/10W 22k ohm
IC201	052-1187-10	LC723663-9D49-E	R133	119-1001-15	1/10W 10 ohm	R412	116-1091-15	1/4W 1 ohm
IC301	051-5029-00	LC75412EH	R134	119-1501-15	1/10W 15 ohm	R413	116-1221-15	1/4W 1.2k ohm
IC401	051-3341-90	BD3931FP	R135	119-1041-15	1/10W 100k ohm	R414	119-1031-15	1/10W 10k ohm
IC402	051-2037-00	TDA7560	R136	119-4731-15	1/10W 47k ohm	R415	119-0000-05	1/10W 0 ohm JW
IC501	051-3019-90	NJM2060V	R137	119-2731-15	1/10W 27k ohm	R417	116-2211-15	1/4W 220 ohm
IC502	051-3019-90	NJM2060V	R138	119-1231-15	1/10W 12k ohm	R418	119-1041-15	1/10W 100k ohm
IC503	051-3019-90	NJM2060V	R139	119-1021-15	1/10W 1k ohm	R419	119-4731-15	1/10W 47k ohm
IC504	051-3019-90	NJM2060V	R140	119-1021-15	1/10W 1k ohm	R420	116-3911-15	1/4W 390 ohm
IC505	051-3019-90	NJM2060V	R141	119-1841-15	1/10W 180k ohm	R421	116-3911-15	1/4W 390 ohm
J201	074-2003-76	SOCKET(26P)	R142	119-2221-15	1/10W 2.2k ohm	R422	119-1041-15	1/10W 100k ohm
J202	076-3011-64	14P	R143	119-1031-15	1/10W 10k ohm	R423	116-6811-15	1/4W 680 ohm
J401	074-4009-20	20P	R144	119-5621-15	1/10W 5.6k ohm	R426	116-2721-15	1/4W 2.7k ohm
JW401	060-0054-03	JUMPER	R146	119-1031-15	1/10W 10k ohm	R428	119-5611-15	1/10W 560 ohm
JW402	060-0054-03	JUMPER	R147	119-2221-15	1/10W 2.2k ohm	R429	119-1031-15	1/10W 10k ohm
JW403	060-0054-03	JUMPER	R148	119-1021-15	1/10W 1k ohm	R430	116-1831-15	1/4W 18k ohm
L101	010-2198-65	0.1uH	R149	119-6821-15	1/10W 6.8k ohm	R431	119-4721-15	1/10W 4.7k ohm
L102	010-2198-53	5.6uH	R201	119-1021-15	1/10W 1k ohm	R432	119-5611-15	1/10W 560 ohm
L103	010-2312-52	0.27uH	R202	119-1021-15	1/10W 1k ohm	R433	116-4791-15	1/4W 4.7 ohm
L104	010-2003-04	30uH	R203	119-1031-15	1/10W 10k ohm	R434	116-4791-15	1/4W 4.7 ohm
L105	010-3407-75	120uH J	R204	119-0000-05	1/10W 0 ohm JW	R436	116-1531-15	1/4W 15k ohm
L201	010-6009-64	2.2uH J	R205	119-4731-15	1/10W 47k ohm	R437	119-0000-05	1/10W 0 ohm JW
L401	009-0680-60	200uH	R206	119-1031-15	1/10W 10k ohm	R439	117-3941-15	1/8W 390k ohm
Q101	192-4116-00	2SC4116	R207	119-4731-15	1/10W 47k ohm	R440	117-3941-15	1/8W 390k ohm
Q102	192-4116-00	2SC4116	R208	119-3311-15	1/10W 330 ohm	R446	119-0000-05	1/10W 0 ohm JW
Q103	125-2026-91	UN5211	R209	119-3311-15	1/10W 330 ohm	R501	119-3331-15	1/10W 33k ohm
Q104	125-2026-91	UN5211	R210	119-4731-15	1/10W 47k ohm	R502	119-3331-15	1/10W 33k ohm
Q105	192-4116-51	2SC4116 G,L	R211	119-1031-15	1/10W 10k ohm	R503	119-3331-15	1/10W 33k ohm
Q106	192-4116-51	2SC4116 G,L	R212	119-1031-15	1/10W 10k ohm	R504	119-3331-15	1/10W 33k ohm
Q108	190-1162-00	2SA1162	R213	119-1031-15	1/10W 10k ohm	R505	119-2231-15	1/10W 22k ohm
Q109	190-1162-00	2SA1162	R214	119-4731-15	1/10W 47k ohm	R506	119-2231-15	1/10W 22k ohm
Q205	125-0002-92	RN2402	R215	119-4731-15	1/10W 47k ohm	R507	119-2231-15	1/10W 22k ohm
Q401	193-2118-00	2SD2118F5 Q,R,S	R217	119-1031-15	1/10W 10k ohm	R508	119-2231-15	1/10W 22k ohm
Q402	191-1197-50	2SB1197K Q,R	R218	119-1031-15	1/10W 10k ohm	R513	119-4721-15	1/10W 4.7k ohm
Q403	125-2026-91	UN5211	R219	119-4731-15	1/10W 47k ohm	R514	119-1031-15	1/10W 10k ohm
Q404	125-0020-91	UN5111	R220	119-2231-15	1/10W 22k ohm	R515	119-1031-15	1/10W 10k ohm
Q405	125-2026-91	UN5211	R222	119-1031-15	1/10W 10k ohm	R516	119-4721-15	1/10W 4.7k ohm
Q406	191-1240-00	2SB1240	R223	119-1041-15	1/10W 100k ohm	R521	119-4721-15	1/10W 4.7k ohm
Q407	125-2026-95	UN521N	R224	119-1031-15	1/10W 10k ohm	R522	119-1031-15	1/10W 10k ohm
Q408	193-1858-00	2SD1858	R226	119-4731-15	1/10W 47k ohm	R523	119-1031-15	1/10W 10k ohm
Q409	125-9003-92	IMD3	R228	119-1031-15	1/10W 10k ohm	R524	119-4721-15	1/10W 4.7k ohm
Q410	103-2012-00	2SD2012	R229	119-1021-15	1/10W 1k ohm	R525	119-2221-15	1/10W 2.2k ohm
Q411	125-2026-91	UN5211	R230	119-1031-15	1/10W 10k ohm	R528	119-2221-15	1/10W 2.2k ohm
Q412	193-2118-00	2SD2118F5 Q,R,S	R235	119-1031-15	1/10W 10k ohm	R529	119-2221-15	1/10W 2.2k ohm

REF No.	PART No.	DESCRIPTION	REF No.	PART No.	DESCRIPTION	REF No.	PART No.	DESCRIPTION
R532	119-2221-15	1/10W 2.2k ohm	R562	119-1541-15	1/10W 150k ohm	R588	119-6831-15	1/10W 68k ohm
R533	119-4721-15	1/10W 4.7k ohm	R563	119-1541-15	1/10W 150k ohm	R589	119-1031-15	1/10W 10k ohm
R536	119-2721-15	1/10W 2.7k ohm	R564	119-1541-15	1/10W 150k ohm	R590	119-1031-15	1/10W 10k ohm
R537	119-5611-15	1/10W 560 ohm	R565	119-1511-15	1/10W 150 ohm	R591	119-1031-15	1/10W 10k ohm
R538	119-5611-15	1/10W 560 ohm	R566	119-1511-15	1/10W 150 ohm	R592	119-1031-15	1/10W 10k ohm
R539	119-4731-15	1/10W 47k ohm	R567	119-1511-15	1/10W 150 ohm	R593	117-1831-15	1/8W 18k ohm
R540	119-4731-15	1/10W 47k ohm	R568	119-1511-15	1/10W 150 ohm	R594	117-1831-15	1/8W 18k ohm
R541	119-4731-15	1/10W 47k ohm	R569	119-8211-15	1/10W 820 ohm	R595	117-1031-15	1/8W 10k ohm
R542	119-4731-15	1/10W 47k ohm	R570	119-8211-15	1/10W 820 ohm	R596	117-1031-15	1/8W 10k ohm
R543	119-5611-15	1/10W 560 ohm	R571	119-2721-15	1/10W 2.7k ohm	R597	119-4721-15	1/10W 4.7k ohm
R544	119-5611-15	1/10W 560 ohm	R572	119-2721-15	1/10W 2.7k ohm	R598	119-6821-15	1/10W 6.8k ohm
R547	119-4721-15	1/10W 4.7k ohm	R573	119-6831-15	1/10W 68k ohm	R599	119-5111-15	1/10W 510 ohm
R548	119-2721-15	1/10W 2.7k ohm	R574	119-6831-15	1/10W 68k ohm	SUP101	060-0122-90	DSP-201M-S00B
R549	119-3321-15	1/10W 3.3k ohm	R575	119-8221-15	1/10W 8.2k ohm	SUP102	060-0122-90	DSP-201M-S00
R550	119-3321-15	1/10W 3.3k ohm	R576	119-4721-15	1/10W 4.7k ohm	TC201	004-1580-60	30pF
R551	119-8211-15	1/10W 820 ohm	R577	119-1031-15	1/10W 10k ohm	TH401	002-0229-90	PTH8L05B
R552	119-8211-15	1/10W 820 ohm	R578	119-1031-15	1/10W 10k ohm	TM101	073-0768-90	TERMINAL
R553	119-1511-15	1/10W 150 ohm	R579	119-5131-15	1/10W 51k ohm	TM102	073-0768-90	TERMINAL
R554	119-1511-15	1/10W 150 ohm	R580	119-5131-15	1/10W 51k ohm	TM401	073-0768-90	TERMINAL
R555	119-1511-15	1/10W 150 ohm	R581	119-5131-15	1/10W 51k ohm	TM402	073-0768-90	TERMINAL
R556	119-1511-15	1/10W 150 ohm	R582	119-5131-15	1/10W 51k ohm	VR101	012-4318-63	470k ohm
R557	119-1541-15	1/10W 150k ohm	R583	119-1031-15	1/10W 10k ohm	VR102	012-4318-56	VR 10k ohm
R558	119-1541-15	1/10W 150k ohm	R584	119-1031-15	1/10W 10k ohm	X201	061-1053-00	4.5MHZ
R559	119-1541-15	1/10W 150k ohm	R585	119-8221-15	1/10W 8.2k ohm	PWB	039-3022-00	PWB(WITHOUT COMPONENTS)
R560	119-1541-15	1/10W 150k ohm	R586	119-4721-15	1/10W 4.7k ohm			
R561	119-1541-15	1/10W 150k ohm	R587	119-6831-15	1/10W 68k ohm			

Switch PWB(B2) section

REF No.	PART No.	DESCRIPTION	REF No.	PART No.	DESCRIPTION	REF No.	PART No.	DESCRIPTION
C601	042-0416-59	10V 33uF M TAN	D628	001-7093-91	RFY1112H-16-TR YEL	IC601	051-6000-10	LC75853NE
C602	166-1011-50	100pF CH	D629	001-7093-91	RFY1112H-16-TR YEL	J601	074-3014-64	SOCKET(14P)
C603	168-1042-78	16V 0.1uF	D630	001-7093-91	RFY1112H-16-TR YEL	R601	119-1021-15	1/10W 1k ohm
C604	168-1042-78	16V 0.1uF	D631	001-7093-91	RFY1112H-16-TR YEL	R602	119-1021-15	1/10W 1k ohm
C605	168-1042-78	16V 0.1uF	D632	001-7093-91	RFY1112H-16-TR YEL	R603	119-1021-15	1/10W 1k ohm
C606	168-6812-55	680pF K	D633	001-7093-91	RFY1112H-16-TR YEL	R604	119-1021-15	1/10W 1k ohm
C607	168-1052-78	1uF	D634	001-7093-91	RFY1112H-16-TR YEL	R605	119-1021-15	1/10W 1k ohm
C608	168-1042-78	16V 0.1uF	D635	001-7093-91	RFY1112H-16-TR YEL	R606	119-1021-15	1/10W 1k ohm
C609	168-1052-78	1uF	D636	001-7093-91	RFY1112H-16-TR YEL	R607	119-1021-15	1/10W 1k ohm
CCT601	050-0145-52	1/16W 1k ohm x4	D637	001-7093-91	RFY1112H-16-TR YEL	R608	119-1021-15	1/10W 1k ohm
CCT602	050-0145-52	1/16W 1k ohm x4	D638	001-7093-91	RFY1112H-16-TR YEL	R609	119-1021-15	1/10W 1k ohm
CCT603	050-0145-52	1/16W 1k ohm x4	D639	001-7093-91	RFY1112H-16-TR YEL	R610	119-1021-15	1/10W 1k ohm
D602	001-0516-90	MA111	D640	001-7093-91	RFY1112H-16-TR YEL	R611	119-1021-15	1/10W 1k ohm
D604	001-0516-90	MA111	D641	001-7093-91	RFY1112H-16-TR YEL	R612	116-2021-15	1/4W 2k ohm
D606	001-0516-90	MA111	D642	001-7093-91	RFY1112H-16-TR YEL	R613	116-2421-15	1/4W 2.4k ohm
D608	001-0516-90	MA111	D643	001-7093-91	RFY1112H-16-TR YEL	R614	119-6831-15	1/10W 68k ohm
D609	001-0516-90	MA111	D644	001-7093-91	RFY1112H-16-TR YEL	R615	116-2421-15	1/4W 2.4k ohm
D610	001-0516-90	MA111	D645	001-7093-91	RFY1112H-16-TR YEL	R616	116-3621-15	1/4W 3.6k ohm
D611	001-0516-90	MA111	D646	001-7093-91	RFY1112H-16-TR YEL	R617	116-3621-15	1/4W 3.6k ohm
D612	001-0516-90	MA111	D647	001-7093-91	RFY1112H-16-TR YEL	R618	116-1821-15	1/4W 1.8k ohm
D617	001-7093-91	RFY1112H-16-TR YEL	D648	001-7093-91	RFY1112H-16-TR YEL	R619	116-2421-15	1/4W 2.4k ohm
D618	001-7093-91	RFY1112H-16-TR YEL				R620	116-2421-15	1/4W 2.4k ohm
D619	001-7093-91	RFY1112H-16-TR YEL				R621	116-2221-15	1/4W 2.2k ohm
D620	001-7093-91	RFY1112H-16-TR YEL				R622	116-3321-15	1/4W 3.3k ohm
D621	001-7093-91	RFY1112H-16-TR YEL				R624	116-2021-15	1/4W 2k ohm
D622	001-7093-91	RFY1112H-16-TR YEL				R625	116-3321-15	1/4W 3.3k ohm
D623	001-7093-91	RFY1112H-16-TR YEL				R626	116-1521-15	1/4W 1.5k ohm
D624	001-7093-91	RFY1112H-16-TR YEL				R627	116-1521-15	1/4W 1.5k ohm
D625	001-7093-91	RFY1112H-16-TR YEL				R628	116-3921-15	1/4W 3.9k ohm
D626	001-7093-91	RFY1112H-16-TR YEL				S601	013-6201-52	SKPMAP010
D627	001-7093-91	RFY1112H-16-TR YEL				S602	013-6201-52	SKPMAP010
						S603	013-6201-52	SKPMAP010
						S604	013-6201-52	SKPMAP010
						S605	013-6201-52	SKPMAP010
						S606	013-6201-52	SKPMAP010
						S607	013-6201-52	SKPMAP010
						S608	013-6201-52	SKPMAP010
						S609	013-6201-52	SKPMAP010
						S610	013-6201-52	SKPMAP010
						S611	013-6201-52	SKPMAP010
						S612	013-6201-52	SKPMAP010
						S613	013-6201-52	SKPMAP010

REF No.	PART No.	DESCRIPTION	REF No.	PART No.	DESCRIPTION	REF No.	PART No.	DESCRIPTION
S614	013-6201-52	SKPMAP010	TM602	073-0778-90	TERMINAL	PWB	039-3023-00	PWB(WITHOUT COMPONENTS)
S615	013-6201-52	SKPMAP010	VR601	016-0026-00	ROTARY ENCODER			
TM601	073-0778-90	TERMINAL						

CD PWB(B3) section

REF No.	PART No.	DESCRIPTION	REF No.	PART No.	DESCRIPTION	REF No.	PART No.	DESCRIPTION
C1	168-1042-78	16V 0.1uF	C35	046-6812-58	680pF	R9	033-2211-15	1/10W 220 ohm
C3	163-2273-05	4V220uF	C36	168-1042-78	16V 0.1uF	R11	033-1051-15	1/10W 1M ohm
C4	168-1042-78	16V 0.1uF	C37	168-1042-78	16V 0.1uF	R12	119-2221-15	1/10W 2.2k ohm
C5	163-1073-35	16V100uF	C38	046-1522-58	1500pF	R13	033-2211-15	1/10W 220 ohm
C6	163-1073-35	16V100uF	C39	046-4722-58	4700pF	R14	033-2211-15	1/10W 220 ohm
C7	168-1042-78	16V 0.1uF	C40	046-1032-78	0.01uF	R16	033-2231-15	1/10W 22k ohm
C9	178-1052-78	1uF	C41	046-1532-78	0.015uF	R17	033-3921-15	1/10W 3.9k ohm
C10	042-0560-85	6.3V100uF	C43	168-1042-78	16V 0.1uF	R18	033-3341-15	1/10W 330k ohm
C11	046-4712-58	470pF	C47	045-4701-50	47pF	R19	033-5621-15	1/10W 5.6k ohm
C12	178-1052-78	1uF	C48	168-1042-78	16V 0.1uF	R21	033-2231-15	1/10W 22k ohm
C13	046-4712-58	470pF	C49	168-1042-78	16V 0.1uF	R22	033-4731-15	1/10W 47k ohm
C15	168-1042-78	16V 0.1uF	C50	042-0666-00	12.5V 22uF	R24	033-1041-15	1/10W 100k ohm
C16	168-4732-78	0.047uF	C51	046-5622-58	5600pF	R26	033-1531-15	1/10W 15k ohm
C17	168-4732-78	0.047uF	C52	178-1052-78	1uF	R27	033-4731-15	1/10W 47k ohm
C18	168-1042-78	16V 0.1uF	C53	045-1007-50	10pF	R28	033-1831-15	1/10W 18k ohm
C19	168-1042-78	16V 0.1uF	C54	045-1007-50	10pF	R29	033-6821-15	1/10W 6.8k ohm
C21	046-6822-58	6800pF	C55	178-1052-78	1uF	R30	033-8231-15	1/10W 82k ohm
C22	046-3332-78	0.033uF	CCT2	050-0140-63	1/32W 47k ohm x4J	R31	033-8231-15	1/10W 82k ohm
C24	178-1052-78	1uF	D1	001-0367-91	1SS226	R32	119-1001-15	1/10W 10 ohm
C25	168-1042-78	16V 0.1uF	IC1	051-6071-08	BA5825FP-E2	R33	033-2731-15	1/10W 27k ohm
C26	168-1042-78	16V 0.1uF	IC2	051-6399-00	TC94A15F	R34	033-2731-15	1/10W 27k ohm
C28	168-1042-78	16V 0.1uF	J101	074-1228-76	26P	R35	033-2731-15	1/10W 27k ohm
C29	168-1042-78	16V 0.1uF	J201	074-1138-65	15P	R36	033-2731-15	1/10W 27k ohm
C30	045-6801-50	68pF	J301	074-1138-60	10P	R37	032-0162-50	1/10W 0.51 ohm
C31	168-1042-78	16V 0.1uF	Q1	131-1188-50	2SB1188PQR	TM1	073-0768-00	TERMINAL
C32	168-1042-78	16V 0.1uF	Q2	131-1188-50	2SB1188PQR	X2	061-3534-90	16.92MHz
C33	046-1532-78	0.015uF	R1	117-6811-15	1/8W 680 ohm	PWB	039-2846-20	PWB(WITHOUT COMPONENT)
C34	168-1042-78	16V 0.1uF	R2	117-1001-15	1/8W 10 ohm			

LED PWB(B4) section

REF No.	PART No.	DESCRIPTION	REF No.	PART No.	DESCRIPTION	REF No.	PART No.	DESCRIPTION
D1	001-7058-90	AN1105W-RR	Q1	060-4015-91	PS1192HB-33-TR	S2	013-7413-50	LIMIT
D2	001-7058-90	AN1105W-RR	Q2	060-4015-91	PS1192HB-33-TR	PWB	039-1944-21	PWB(WITHOUT COMPONENT)
J1	074-1138-60	10P	S1	013-7414-50	CHUCKING			