

2. EXPLODED VIEWS AND PARTS LIST

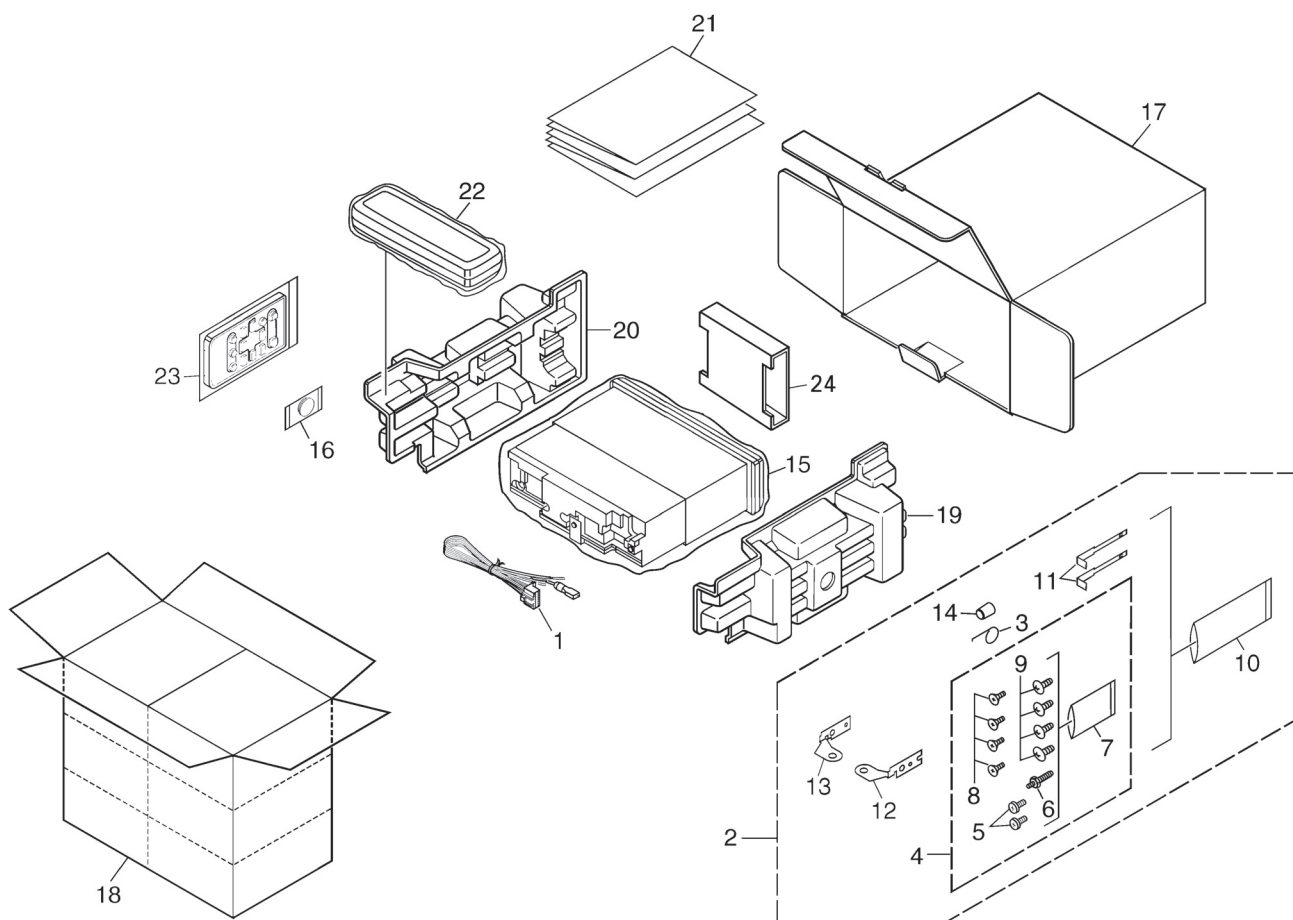
NOTES : • Parts marked by "*" are generally unavailable because they are not in our Master Spare Parts List.

• Screw adjacent to ▽ mark on the product are used for disassembly.

• For the applying amount of lubricants or glue, follow the instructions in this manual.

(In the case of no amount instructions, apply as you think it appropriate.)

2.1 PACKING



(1) PACKING SECTION PARTS LIST

Mark No.	Description	Part No.	Mark No.	Description	Part No.
1	Cord Assy	CDE7060			
2	Accessory Assy	See Contrast table(2)	*	16 Battery	CEX1065
3	Spring	CBH1650	17	Carton	See Contrast table(2)
4	Screw Assy	See Contrast table(2)	18	Contain Box	See Contrast table(2)
5	Fixing Screw	See Contrast table(2)	19	Protector	CHP2663
6	Screw	CBA1650	20	Protector	CHP2664
*	7 Polyethylene Bag	CEG-127	21-1	Owner's Manual	See Contrast table(2)
8	Screw	CRZ50P090FTC	21-2	Owner's Manual	See Contrast table(2)
9	Screw	TRZ50P080FTC	21-3	Installation Manual	See Contrast table(2)
*	10 Polyethylene Bag	CEG-158	*	21-4 Warranty Card	See Contrast table(2)
			*	21-5 Card	See Contrast table(2)
11	Handle	CNC5395			
12	Holder	See Contrast table(2)	*	21-6 Caution Card	See Contrast table(2)
13	Holder	See Contrast table(2)	22	Case Assy	See Contrast table(2)
14	Bush	CNV3930	23	Remote Control Unit	CXC3173
15	Polyethylene Bag	See Contrast table(2)	24	Inner Box	XHW7001

(2) CONTRAST TABLE

DEH-P460MP/XM/UC, DEH-P4600MP/XM/UC and DEH-P4650MP/XM/ES are constructed the same except for the following:

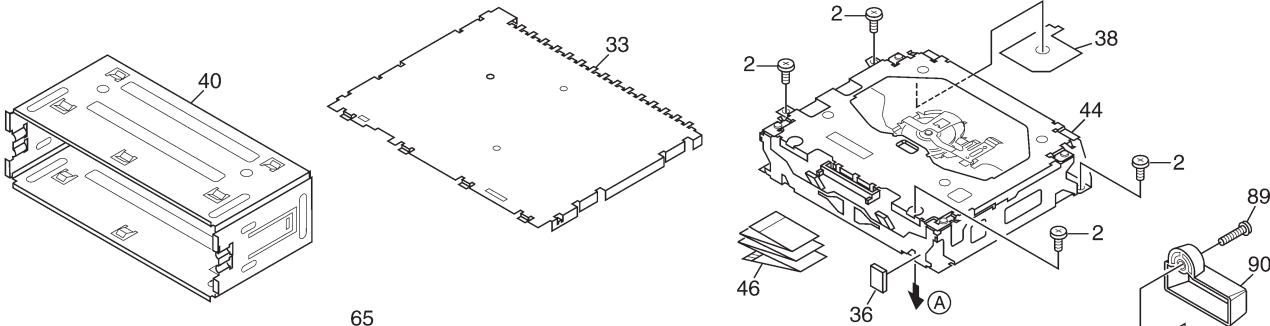
Mark No.	Symbol and Description	Parts No.		
		DEH-P460MP/XM/UC	DEH-P4600MP/XM/UC	DEH-P4650MP/XM/ES
2	Accessory Assy	CEA3376	CEA3376	CEA3439
4	Screw Assy	CEA3848	CEA3848	CEA3849
5	Fixing Screw	BPZ20P060FZK	BPZ20P060FZK	Not used
12	Holder	CND1249	CND1249	Not used
13	Holder	CND1250	CND1250	Not used
15	Polyethylene Bag	CEG1173	CEG1173	CEG-162
17	Carton	XHG7016	XHG7013	XHG7011
18	Contain Box	XHL7016	XHL7013	XHL7011
21-1	Owner's Manual	XRD7030	XRD7028	XRD7021
21-2	Owner's Manual	Not used	Not used	XRD7022
21-3	Installation Manual	XRD7031	XRD7029	XRD7023
* 21-4	Warranty Card	CRY1070	Not used	Not used
* 21-5	Card	Not used	ARY1048	Not used
* 21-6	Caution Card	Not used	CRP1294	Not used
22	Case Assy	Not used	Not used	CXB3520

● **Owner's Manual, Installation Manual**

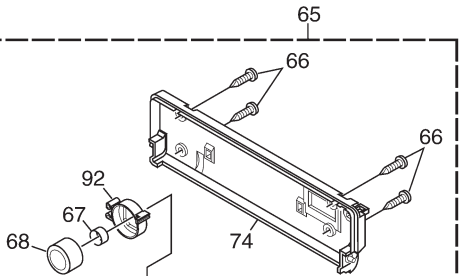
Model	Parts No.	Language
DEH-P460MP/XM/UC	XRD7030	English, French, Spanish
	XRD7031	
DEH-P4600MP/XM/UC	XRD7028	
	XRD7029	
DEH-P4650MP/XM/ES	XRD7021	English, Spanish, Portuguese(B)
	XRD7022	Arabic, Traditional Chinese
	XRD7023	English, Spanish, Portuguese(B), Arabic, Traditional Chinese

2.2 EXTERIOR

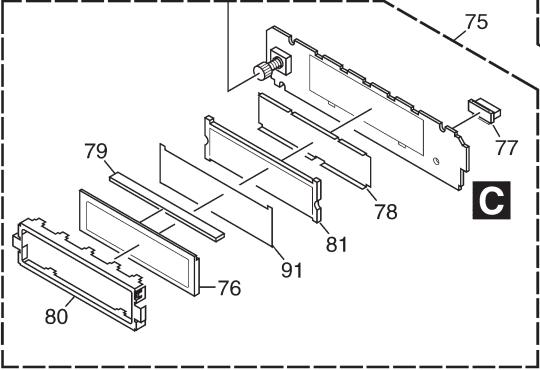
A



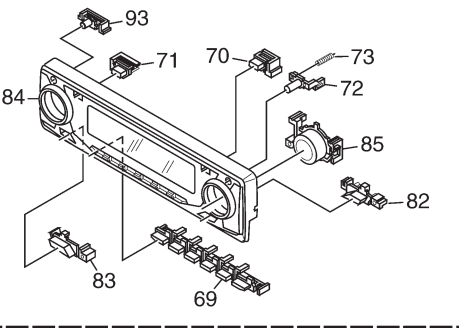
B



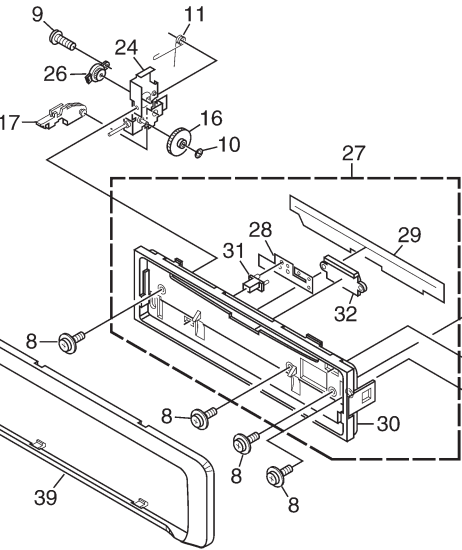
C



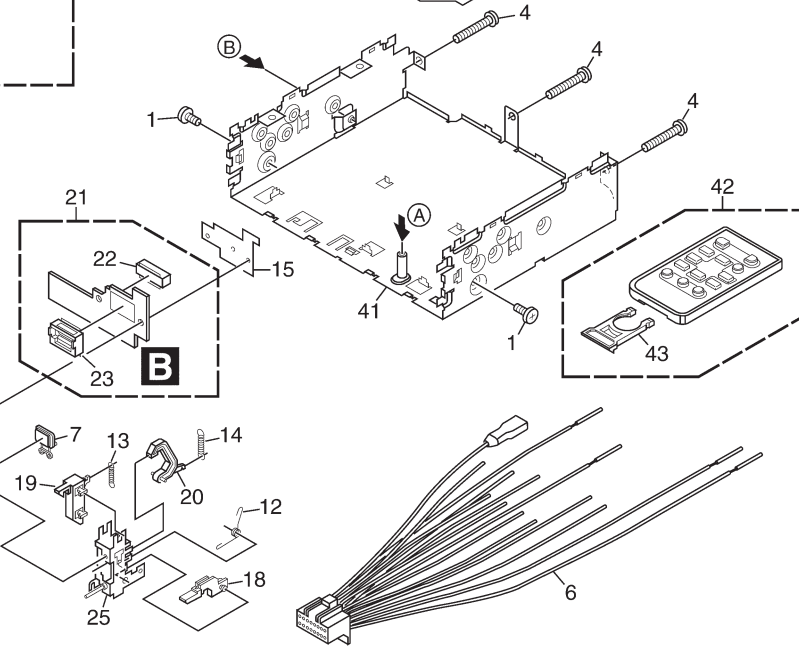
D



E



F



(1) EXTERIOR SECTION PARTS LIST

<u>Mark No.</u>	<u>Description</u>	<u>Part No.</u>	<u>Mark No.</u>	<u>Description</u>	<u>Part No.</u>	
1	Screw	BMZ30P040FZK				
2	Screw	BSZ26P060FTC	51	Fuse(10A)	CEK1208	A
3	Screw	BSZ30P060FTC	52	FM/AM Tuner Unit	CWE1646	
4	Screw	BSZ30P200FTC	53	Holder	CND1054	
5	Terminal(CN402)	VNF1084	54	Pin Jack(CN352)	See Contrast table(2)	
			55	Plug(CN981)	CKM1376	
6	Cord Assy	CDE7060				
7	Button(EJECT)	CAC7752	56	Connector(CN801)	See Contrast table(2)	
8	Screw(M2x4.5)	CBA1647	57	Connector(CN101)	CKS3408	
9	Screw(M2x4)	CBA1649	58	Plug(CN831)	CKS3537	
10	Washer	CBF1038	59	Connector(CN721)	CKS3837	
			60	Antenna Jack(CN401)	CKX1056	B
11	Spring	CBH2650				
12	Spring	CBH2651	61	Holder	See Contrast table(2)	
13	Spring	CBH2652	62	Holder	CND1352	
14	Spring	CBH2653	63	Heat Sink	CNR1668	
15	Holder	CND1254	64	Insulator	XNM7031	
			65	Detachable Assy	See Contrast table(2)	
16	Gear	CNV5997				
17	Arm	CNV7400	66	Screw	BPZ20P100FZK	
18	Arm	CNV7401	67	Spring	CBL1470	
19	Arm	CNV7402	68	Knob	See Contrast table(2)	
20	Arm	CNV7403	69	Button(1-6)	XAC7005	C
			70	Button(LOUD)	XAC7020	
21	Panel Unit	CWM8758				
22	Socket(CN1950)	CKS3550	71	Button(PAUSE)	XAC7019	
23	Connector(CN1951)	CKS4806	72	Button(OPEN)	See Contrast table(2)	
24	Holder Unit	CXB9501	73	Spring	XBH7001	
25	Holder Unit	CXB9502	74	Cover	XNS7013	
			75	Keyboard Unit	See Contrast table(2)	
26	Damper Unit	CXB9503				
27	Service Panel Unit	CXX1691	76	LCD(LCD1901)	See Contrast table(2)	
28	Spring	CBL1512	77	Connector(CN1901)	CKS4524	
29	Cover	CNM6854	78	Sheet	XNM7006	D
30	Panel	CNS7245	79	Connector	XNV7006	
			80	Holder	XNC7002	
31	Pin	CNV6486				
32	Lighting Conductor	CNV6487	81	Lighting Conductor	XNV7005	
33	Case	CNB2870	82	Button(BAND)	XAC7021	
34	Earth Plate	CNC8915	83	Button(EQ)	XAC7022	
35	Cushion	CNM8890	84	Sub Grille Assy	See Contrast table(2)	
			85	Sub Button Assy(SELECT)	See Contrast table(2)	
36	Insulator	CNM7682				
37	Insulator	CNM7935	86	IC(IC301)	PAL007A	
38	Insulator	CNM8174	87	Choke Coil(L981)	CTH1280	E
39	Panel	See Contrast table(2)	88	Transistor(Q752,901,911)	2SD2375	
40	Holder Unit	CXB6681	89	Screw	See Contrast table(2)	
			90	Holder	See Contrast table(2)	
41	Chassis Unit	CXB9528				
42	Remote Control Unit	CXC3173				
43	Cover	CNS7068	*	91	Sheet	See Contrast table(2)
44	CD Mechanism Module(S10CODE2)CXK5665			92	Lighting Conductor	XNV7012
45	Screw	ISS26P055FTC		93	Button(CLOCK)	See Contrast table(2)
46	Cable	CDE7189				
47	Tuner Amp Unit	See Contrast table(2)				F
48	Screw	ASZ26P060FTC				
49	Screw	BPZ26P080FTC				
50	Screw	BSZ26P160FTC				

(2) CONTRAST TABLE

DEH-P460MP/XM/UC, DEH-P4600MP/XM/UC and DEH-P4650MP/XM/ES are constructed the same except for the following:

Mark No.	Symbol and Description	Parts No.		
		DEH-P460MP/XM/UC	DEH-P4600MP/XM/UC	DEH-P4650MP/XM/ES
39	Panel	CNS6935	XNS7070	CNS6935
47	Tuner Amp Unit	XWM7023	XWM7023	XWM7024
54	Pin Jack(CN352)	CKB1051	CKB1051	CKB1057(CN351)
56	Connector(CN801)	CKS4124	CKS4124	Not used
61	Holder	CND1325	CND1325	CND1237
65	Detachable Assy	XXA7132	XXA7133	XXA7134
68	Knob	XAA7009	XAA7003	XAA7009
72	Button(OPEN)	XAC7026	XAC7012	XAC7026
75	Keyboard Unit	XWM7031	XWM7031	XWM7032
76	LCD(LCD1901)	XAW7004	XAW7004	XAW7002
84	Sub Grille Assy	XXA7147	XXA7148	XXA7149
85	Sub Button Assy(SELECT)	XXA7229	XXA7228	XXA7229
89	Screw	Not used	BMZ40P140FTC	Not used
90	Holder	Not used	CNV7619	Not used
91	Sheet	Not used	Not used	XNM7008
93	Button(CLOCK)	XAC7016	XAC7024	XAC7016

2.3 CD MECHANISM MODULE

A

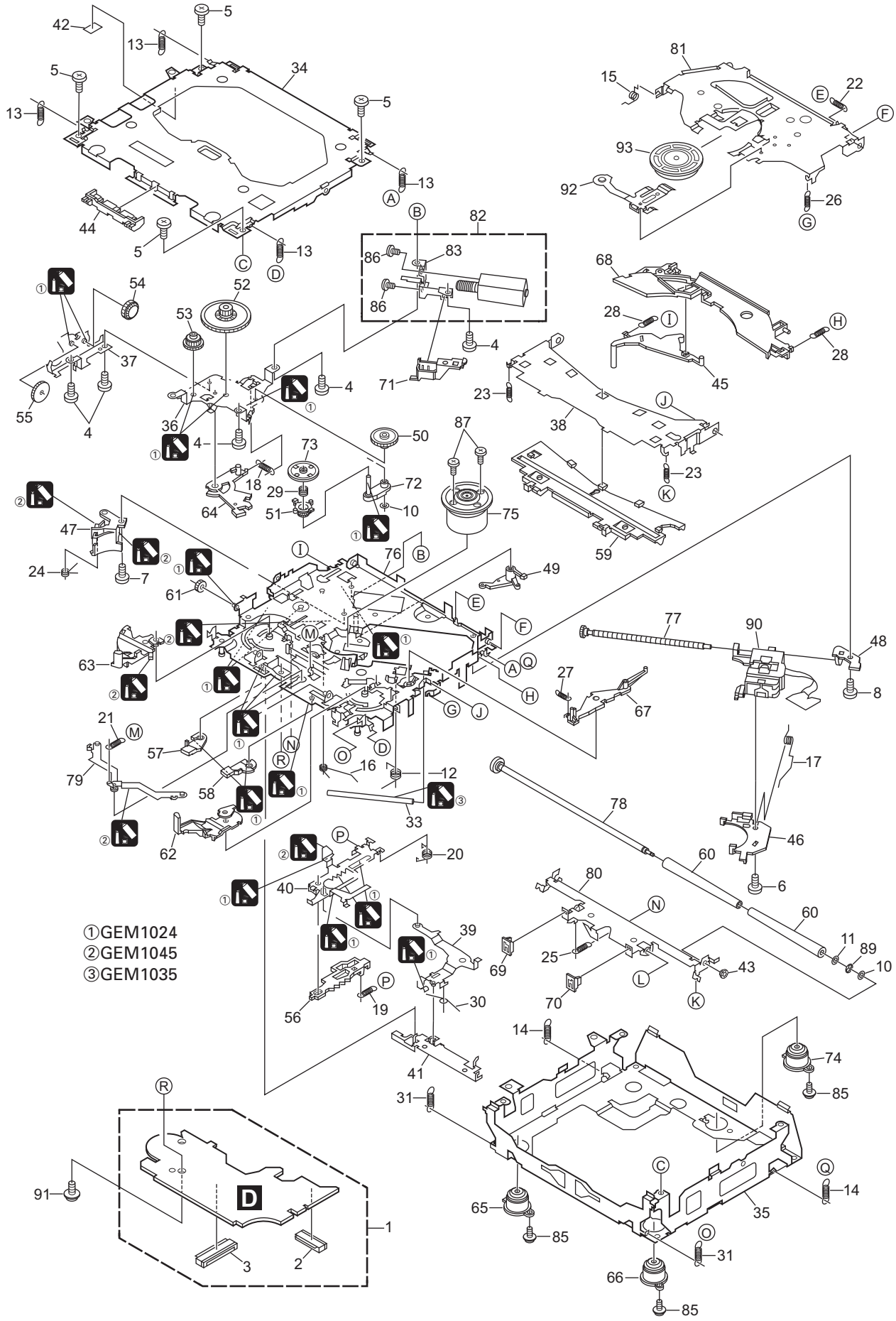
B

C

D

E

F



- ① GEM1024
- ② GEM1045
- ③ GEM1035

CD MECHANISM MODULE SECTION PARTS LIST

<u>Mark No.</u>	<u>Description</u>	<u>Part No.</u>	<u>Mark No.</u>	<u>Description</u>	<u>Part No.</u>	
1	CD Core Unit(S10WMA)	CWX2851				
2	Connector(CN101)	CKS4182	51	Gear	CNV7208	A
3	Connector(CN901)	CKS4017	52	Gear	CNV7209	
4	Screw	BMZ20P035FTC	53	Gear	CNV7210	
5	Screw	BSZ20P040FTC	54	Gear	CNV7211	
			55	Gear	CNV7212	
6	Screw(M2x4)	CBA1362				
7	Screw(M2x3)	CBA1511	56	Rack	CNV7214	
8	Screw(M2x3)	CBA1527	57	Arm	CNV7215	
9		58	Arm	CNV7216	
10	Washer	CBF1038	59	Guide	CNV7217	
			60	Roller	CNV7218	B
11	Washer	CBF1060				
12	Spring	CBH2390	61	Gear	CNV7219	
13	Spring	CBH2606	62	Arm	CNV7221	
14	Spring	CBH2607	63	Arm	CNV7220	
15	Spring	CBH2608	64	Arm	CNV7222	
			65	Damper	CNV7313	
16	Spring	CBH2609				
17	Spring	CBH2610	66	Damper	CNV7314	
18	Spring	CBH2735	67	Arm	CNV7341	
19	Spring	CBH2612	68	Arm	CNV7342	
20	Spring	CBH2613	69	Guide	CNV7360	
			70	Guide	CNV7361	C
21	Spring	CBH2614				
22	Spring	CBH2615	71	Holder	CNV7437	
23	Spring	CBH2616	72	Arm	CNV7805	
24	Spring	CBH2617	73	Gear	CNV7595	
25	Spring	CBH2620	74	Damper	CNV7618	
			75	Motor Unit(M1)	CXB6007	
26	Spring	CBH2621				
27	Spring	CBH2641	76	Chassis Unit	CXC2318	
28	Spring	CBH2642	77	Screw Unit	CXB8729	
29	Spring	CBH2643	78	Gear Unit	CXC2397	
30	Spring	CBH2659	79	Arm Unit	CXC2316	D
			80	Arm	CND1896	
31	Spring	CBH2688				
32		81	Arm	CND1894	
33	Shaft	CLA4441	82	Motor Unit(M2)	CXB8933	
34	Frame	CNC9962	83	Bracket	CNC9985	
35	Frame	CNC9963	84		
			85	Screw(M2x5)	EBA1028	
36	Bracket	CNC9966				
37	Bracket	CND1895	86	Screw	JFZ20P020FTC	
38	Arm	CNC9968	87	Screw	JGZ17P022FTC	E
39	Arm	CND1909	88		
40	Lever	CND2032	89	Washer	YE20FTC	
			90	Pickup Unit(P10)(Service)	CXX1641	
41	Lever	CNC9984				
42	Sheet	CNM8134	91	Screw	IMS26P030FTC	
43	Collar	CNV7798	92	Spring	CBL1635	
44	Guide	CNV7799	93	Clamper	CNV7197	
45	Arm	CNV7800				
46	Rack	CNV7199				
47	Holder	CNV7201				F
48	Holder	CNV7202				
49	Arm	CNV7203				
50	Gear	CNV7207				

5. ELECTRICAL PARTS LIST

NOTE:

- Parts whose parts numbers are omitted are subject to being not supplied.
- The part numbers shown below indicate chip components.

Chip Resistor

RS1/○S○○○○J,RS1/○○S○○○○J

Chip Capacitor (except for CQS.....)

CKS....., CCS....., CSZS.....

Circuit Symbol and No.

Part No.

Circuit Symbol and No.

Part No.

A

Unit Number: XWM7023 (DEH-P460MP, P4600MP)
: XWM7024 (DEH-P4650MP)

Unit Name: Tuner Amp Unit

MISCELLANEOUS

IC 101	IC	HA12240FP	D 931	Diode	HZS7L(C3)
IC 131	IC	PML003AM	D 932	Diode	HZS7L(A1)
IC 301	IC	PAL007A	D 981	Diode	MPG06G-6415G50
IC 601	IC	PE5407A	D 982	Diode	MPG06G-6415G50
IC 651	IC	BD4834G	L 131	Inductor	LACU2R2K
IC 921	IC	NJM2391DL1-33	L 401	Inductor	LACU4R7K
Q 101	Transistor	2SA1576	L 404	Inductor	LACU1R0K
Q 102	Transistor	DTC124EU	L 601	Inductor	LACU2R2K
Q 301	Transistor	DTC124EU	L 721	Inductor	LACU2R2K
Q 351	Transistor	UMH3N	L 971	Inductor	LACU2R2K
Q 352	Transistor (DEH-P460MP, P4600MP)	UMH3N	L 981	Choke Coil 600μH	CTH1280
Q 502	Transistor	UMD2N	X 601	Radiator 12.58291MHz	CSS1402
Q 601	Transistor	DTA114EU	S 831	Switch(DETACH SENSE)	CSN1039
Q 751	Transistor	UMD2N	FU351	Fuse 3A	CEK1286
Q 752	Transistor	2SD2375		Fuse 10A	CEK1208
Q 753	Transistor	UMD2N		FM/AM Tuner Unit	CWE1646
Q 754	Transistor	2SD1760F5	SP601	Buzzer	CPV1062
Q 831	Transistor	DTC143EU	AR401	Surge Protector	DSP-201M-S00B
Q 901	Transistor	2SD2375			
Q 902	Transistor	UMD2N			
Q 911	Transistor	2SD2375			
Q 912	Transistor	2SB1238			
Q 913	Transistor	DTC114EU			
Q 931	Transistor	UMX1N			
Q 961	Transistor	2SB1238			
Q 962	Transistor	DTC114EU			
Q 971	Transistor	2SA1577			
D 571	Diode	MPG06G-6415G50	R 101		RS1/16S620J
D 572	Diode	MPG06G-6415G50	R 102		RS1/16S0R0J
D 751	Diode	HZS9L(B1)	R 103		RS1/16S101J
D 753	Diode	HZS6L(C1)	R 104		RS1/16S101J
D 831	Diode	DAN202U	R 105		RS1/16S181J
D 832	Diode	DAN202U	R 106		RS1/16S181J
D 833	Diode	DAP202U	R 107		RS1/16S223J
D 834	Diode	DAP202U	R 108		RS1/16S223J
D 835	Diode	DAN202U	R 109		RS1/16S102J
D 836	Diode	DAP202U	R 110		RS1/16S102J
D 901	Diode	HZS6L(B1)	R 111		RS1/16S222J
D 902	Diode	MPG06G-6415G50	R 112		RS1/16S102J
D 911	Diode	HZS9L(B3)	R 113		RS1/16S332J
			R 114		RS1/16S562J
			R 115		RS1/16S473J
			R 131		RS1/16S471J
			R 132		RS1/16S471J
			R 133		RAB4C102J
			R 137		RS1/16S101J
			R 138		RS1/16S101J
			R 139		RS1/16S101J
			R 140		RS1/16S101J
			R 301		RS1/16S153J
			R 302		RS1/16S103J
			R 303		RS1/16S103J
			R 304		RS1/16S331J
			R 351		RS1/16S821J
			R 352		RS1/16S821J

RESISTORS

<u>Circuit Symbol and No.</u>		<u>Part No.</u>	<u>Circuit Symbol and No.</u>		<u>Part No.</u>
R 353	(DEH-P460MP, P4600MP)	RS1/16S821J	R 752		RD1/4PU221J
R 354	(DEH-P460MP, P4600MP)	RS1/16S821J	R 755		RS1/16S331J
R 359		RS1/16S223J	R 801	(DEH-P460MP, P4600MP)	RS1/16S102J
R 360		RS1/16S223J	R 802	(DEH-P460MP, P4600MP)	RS1/16S102J
R 361	(DEH-P460MP, P4600MP)	RS1/16S223J	R 831		RS1/16S222J
R 362	(DEH-P460MP, P4600MP)	RS1/16S223J	R 832		RS1/16S222J
R 401		RS1/16S681J	R 833		RS1/16S222J
R 403		RS1/16S122J	R 834		RS1/16S222J
R 404		RS1/16S681J	R 835		RS1/16S473J
R 405		RS1/16S681J	R 836		RS1/16S473J
R 406		RS1/16S681J	R 837		RD1/4PU391J
R 413		RS1/16S0R0J	R 838		RS1/16S102J
R 414		RS1/16S0R0J	R 839		RS1/16S102J
R 415		RS1/16S0R0J	R 840		RS1/16S102J
R 416		RS1/16S0R0J	R 841		RS1/16S102J
R 417		RS1/16S0R0J	R 842		RS1/16S222J
R 504		RS1/16S102J	R 843		RS1/16S222J
R 505		RS1/16S0R0J	R 845		RS1/16S102J
R 601		RS1/16S102J	R 846		RS1/16S102J
R 603		RS1/16S473J	R 847		RS1/16S102J
R 605		RS1/16S102J	R 848		RS1/16S104J
R 606		RS1/16S473J	R 849		RS1/16S473J
R 607		RS1/16S104J	R 901		RD1/4PU221J
R 609	(DEH-P460MP, P4600MP)	RS1/16S103J	R 902		RS1/16S223J
R 612		RS1/16S0R0J	R 903		RS1/16S821J
R 615	(DEH-P460MP, P4600MP)	RS1/16S103J	R 904		RS1/16S821J
R 617	(DEH-P4650MP)	RS1/16S104J	R 914		RS1/16S152J
R 618	(DEH-P460MP, P4600MP)	RS1/16S104J	R 915		RD1/4PU152J
R 620		RS1/16S473J	R 916		RS1/16S223J
R 621		RS1/16S473J	R 931		RS1/16S104J
R 622		RS1/16S473J	R 932		RS1/16S473J
R 623		RS1/16S473J	R 933		RS1/16S103J
R 624		RS1/16S473J	R 934		RS1/16S473J
R 625		RS1/16S473J	R 935		RS1/16S472J
R 626		RS1/16S681J	R 961		RS1/16S223J
R 627		RS1/16S681J	R 962		RS1/16S182J
R 628		RS1/16S681J	R 963		RS1/16S1R0J
R 632	(DEH-P4650MP)	RS1/16S104J	R 965		RS1/16S182J
R 633	(DEH-P4650MP)	RS1/16S104J	R 971		RS1/16S153J
R 640		RS1/16S0R0J	R 972		RS1/16S153J
R 651		RS1/16S102J	R 973		RS1/16S222J
R 652		RS1/16S183J	R 981		RD1/4PU102J
R 711		RS1/16S682J	<u>CAPACITORS</u>		
R 718		RS1/16S473J	C 101		CKSRYB104K16
R 721		RS1/16S0R0J	C 102		CKSRYB473K25
R 722		RS1/16S682J	C 103		CKSRYB102K50
R 723		RS1/16S682J	C 104		CKSRYB102K50
R 724		RS1/16S682J	C 131		CEJQ1R0M50
R 727		RS1/16S821J	C 132		CEJQ1R0M50
R 728		RS1/16S821J	C 133		CKSRYB104K16
R 734		RS1/16S102J	C 134		CKSRYB104K16
R 738		RS1/16S0R0J	C 135		CEJQ1R0M50
R 739		RS1/16S0R0J	C 136		CEJQ1R0M50
R 743		RS1/16S221J	C 137		CEJQ1R0M50
R 744		RS1/16S221J	C 138		CEJQ1R0M50
R 745		RS1/16S221J	C 139		CEJQ470M16
R 746		RS1/16S221J	C 140		CKSRYB104K16
R 747		RS1/16S221J	C 141		CKSRYB102K50
R 748		RS1/16S221J			
R 751		RD1/4PU221J			

Circuit Symbol and No.Part No.

C 143	CEJQ100M16
C 145	CEJQ4R7M35
C 146	CEJQ4R7M35
C 147	CKSRYB153K50
C 148	CKSRYB153K50

C 172	CKSRYB102K50
C 301	CKSRYB474K10
C 302	CKSRYB474K10
C 303	CKSRYB474K10
C 304	CKSRYB474K10

C 305	CKSRYB474K10
C 306	CKSRYB474K10
C 307	CKSRYB474K10
C 308	CKSRYB474K10
C 309	CEJQ330M10

C 310	3300µF/16V	CCH1486
C 311		CKSRYB104K25
C 312		CEHAR100M16
C 313		CKSQYB225K10
C 314		CKSQYB225K10

C 317		CKSQYB105K16
C 351		CEJQ2R2M50
C 352		CEJQ2R2M50
C 353	(DEH-P460MP, P4600MP)	CEJQ2R2M50
C 354	(DEH-P460MP, P4600MP)	CEJQ2R2M50

C 401		CKSRYB103K50
C 402		CEJQ470M6R3
C 403		CKSRYB103K50
C 404		CKSRYB103K50
C 405		CEJQ101M16

C 407		CKSYB475K10
C 410		CKSRYB102K50
C 601		CKSRYB473K25
C 602		CKSRYB105K10
C 603		CCSRCH200J50

C 604		CCSRCH200J50
C 605		CEJQ4R7M35
C 606		CKSRYB104K16
C 608		CCSRCH101J50
C 609		CCSRCH470J50

C 611		CKSRYB104K16
C 652		CEJQ1R0M50
C 725		CKSRYB102K50
C 726		CKSRYB102K50
C 727	470µF/16V	CCH1331

C 751		CKSRYB224K10
C 752		CKSRYB102K50
C 753		CEJQ101M16
C 754		CKSRYB473K25
C 755		CEJQ101M16

C 901		CEJQ470M10
C 902		CKSRYB103K50
C 903		CKSRYB472K50
C 904	470µF/16V	CCH1331
C 911		CEJQ221M10

C 912		CKSRYB103K50
C 913		CEJQ101M16
C 921		CEJQ220M10
C 922		CKSRYB103K50
C 924		CEJQ4R7M35

Circuit Symbol and No.Part No.

C 931	CKSRYB104K25
C 962	CKSRYB103K50
C 971	CKSRYB104K25

C

**Unit Number: XWM7031(DEH-P460MP, P4600MP)
:XWM7032(DEH-P4650MP)**

Unit Name: Keyboard Unit

MISCELLANEOUS

IC 1901	IC	PD6340A
IC 1902	IC	RS-140
D 1900	Diode	DAN202U
D 1901	Diode	DAP202U
D 1915	LED	CL-195PG-CD
D 1918	LED	CL-195PG-CD
D 1919	LED	CL-195PG-CD
D 1921	LED	CL-195PG-CD
D 1922	LED	CL-195PG-CD
D 1923	LED	CL-195PG-CD
D 1924	LED	CL-195PG-CD
D 1927	LED	CL-195PG-CD
D 1950	LED	NSCW505C-3388
D 1951	LED	NSCW505C-3388
X 1901	Ceramic Resonator 4.97MHz	CSS1573

S 1901	Switch	CSG1107
S 1902	Push Switch	CSG1112
S 1903	Switch	CSG1107
S 1904	Switch	CSG1107
S 1905	Switch	CSG1107

S 1906	Switch	CSG1107
S 1907	Switch	CSG1107
S 1908	Push Switch	CSG1112
S 1909	Switch	CSG1107
S 1910	Push Switch	CSG1112

S 1911	Switch	CSG1107
S 1912	Switch	CSG1107
S 1913	Switch	CSG1107
S 1914	Switch	CSG1107
S 1915	Push Switch	CSG1112

S 1916	Switch	CSG1107
S 1917	Switch	CSG1107
S 1918	Switch	CSG1107
S 1960	Encoder(VOLUME)	XSD7001
S 1961	Push Switch	CSG1111

LCD1901	LCD (DEH-P460MP, P4600MP)	XAW7004
LCD1901	LCD (DEH-P4650MP)	XAW7002

RESISTORS

R 1900	RS1/16S222J
R 1901	RS1/16S222J
R 1902	RS1/16S2R2J
R 1904	RS1/16S121J
R 1910	RS1/16S181J

R 1911	RS1/16S181J
R 1912	RS1/16S181J
R 1913	RS1/16S181J
R 1914	RS1/16S181J
R 1915	RS1/16S181J

<u>Circuit Symbol and No.</u>	<u>Part No.</u>	<u>Circuit Symbol and No.</u>	<u>Part No.</u>
R 1916	RS1/16S181J	IC 203	IC NJM2391DL1-33
R 1917	RS1/16S181J	IC 301	IC BA5835FM
R 1918	RS1/16S181J	IC 501	IC S-L2980A15MC-C6A
R 1919	RS1/16S181J	IC 701	IC PE5402A
R 1920	RS1/16S181J	IC 703	IC S-812C33AUA-C2N
R 1921	RS1/16S181J	Q 101	Transistor 2SB1132
R 1922	RS1/16S181J	Q 601	Transistor IMH20
R 1923	RS1/16S181J	Q 603	Transistor 2SB709A
R 1925	RS1/16S181J	Q 701	Transistor UN2111
R 1926	RS1/16S181J	D 101	Diode 1SS355
R 1927	RS1/16S181J	D 601	Diode MA152WA
R 1928	RS1/16S181J	L 203	Inductor CTF1389
R 1929	RS1/16S181J	L 207	Inductor CTF1389
R 1930	RS1/16S181J	L 209	Inductor CTF1389
R 1931	RS1/16S181J	L 703	Inductor CTF1389
R 1932	RS1/16S181J	X 201	Ceramic Resonator 16.934MHz CSS1603
R 1933	RS1/16S181J	X 701	Ceramic Resonator 4.00MHz CSS1652
R 1934	RS1/16S181J	S 901	Switch(HOME) CSN1051
R 1935	RS1/16S181J	S 902	Switch(CLAMP) CSN1051
R 1936	RS1/16S181J	S 903	Spring Switch(DSCSNS) CSN1052
R 1942	RS1/16S181J	S 904	Switch(12EJ) CSN1051
R 1945	RS1/16S181J	S 905	Switch(8EJ) CSN1051
R 1947	RS1/16S0R0J		
R 1948	RS1/16S0R0J		
R 1950	RS1/16S181J		
R 1951	RS1/16S181J		
R 1952	RS1/16S151J		
R 1960	RS1/16S472J		
R 1980	RS1/16S473J		

CAPACITORS

C 1900	CKSRYB224K10
C 1902	CKSYF106Z10

B**Unit Number:CWM8758****Unit Name:Panel Unit****MISCELLANEOUS**

D 1970	LED	CL220PGC
S 1970	Push Switch(EJECT)	CSG1112

RESISTORS

R 1970	RS1/16S101J
R 1971	RS1/16S101J
R 1972	RS1/16S0R0J

CAPACITORS

C 1970	CKSRYB104K16
--------	--------------

D**Unit Number:CWX2851****Unit Name:CD CORE UNIT(S10WMA)****MISCELLANEOUS**

IC 201	IC	UPD63761GJ
--------	----	------------

RESISTORS

R 101	RS1/10S1R5J
R 102	RS1/10S1R5J
R 103	RS1/10S1R5J
R 104	RS1/10S1R5J
R 105	RS1/10S1R5J
R 107	RS1/16SS0R0J
R 201	RS1/16SS102J
R 202	RS1/16SS333J
R 205	RS1/16SS473J
R 207	RS1/16SS473J
R 209	RS1/16SS473J
R 214	RS1/16SS472J
R 216	RS1/16SS472J
R 218	RS1/16SS472J
R 220	RS1/16SS472J
R 221	RS1/16SS103J
R 222	RS1/16SS103J
R 223	RS1/16SS0R0J
R 224	RS1/16SS0R0J
R 225	RS1/16SS103J
R 226	RS1/16SS393J
R 227	RS1/16SS562J
R 228	RS1/16SS122J
R 229	RS1/16SS472J
R 231	RS1/16SS0R0J
R 232	RS1/16SS122J
R 233	RS1/16SS0R0J
R 240	RS1/16SS0R0J
R 241	RS1/16SS333J
R 242	RS1/16SS0R0J
R 243	RS1/16SS333J
R 245	RS1/16SS333J
R 250	RS1/16SS0R0J
R 256	RS1/16SS0R0J
R 261	RS1/16S0R0J

Circuit Symbol and No.**Part No.****Circuit Symbol and No.****Part No.**

R 262
R 263
R 264
R 267
R 301

RS1/16S0R0J
RS1/16S0R0J
RS1/16S0R0J
RS1/16S0R0J
RS1/16SS183J

R 777
R 778
R 779
R 901
R 902

RS1/16SS221J
RS1/16SS221J
RS1/16SS221J
RAB4CQ221J
RS1/16S0R0J

R 302
R 304
R 305
R 307
R 308

RS1/16SS822J
RS1/16SS183J
RS1/16SS822J
RS1/16SS183J
RS1/16SS183J

R 905
R 906
R 908
R 910

RS1/16SS221J
RS1/16SS221J
RS1/16SS0R0J
RS1/16SS0R0J

R 309
R 310
R 501
R 601
R 602

RS1/16SS183J
RS1/16SS183J
RS1/16SS0R0J
RS1/16S101J
RS1/16S101J

CAPACITORS

C 101
C 102
C 103
C 104
C 105

100 μ F/16V
47 μ F/6.3V

CKSSYB104K10
CKSSYB104K10
CCH1504
CCH1506
CKSSYB104K10

R 603
R 604
R 605
R 606
R 701

RS1/16S223J
RS1/16S223J
RS1/16SS103J
RS1/16S0R0J
RS1/16S0R0J

C 106
C 107
C 108
C 110
C 201

CCSSCH101J50
CKSRYB224K16
CKSSYB104K10
CKSSYB104K10
CKSSYB471K50

R 702
R 703
R 704
R 705
R 706

RS1/16SS0R0J
RS1/16SS104J
RS1/16SS104J
RS1/16SS221J
RS1/16SS221J

C 202
C 203
C 204
C 205
C 207

22 μ F/6.3V
220 μ F/4V

CKSSYB104K10
CKSSYB104K10
CCH1507
CKSSYB104K10
CCH1590

R 707
R 708
R 709
R 710
R 711

RS1/16SS0R0J
RS1/16SS221J
RS1/16SS473J
RS1/16SS102J
RS1/16SS102J

C 208
C 209
C 216
C 217
C 218

CKSSYB104K10
CKSSYB104K10
CKSSYB332K50
CKSSYB104K10
CKSSYB223K16

R 712
R 713
R 714
R 715
R 716

RS1/16SS102J
RS1/16SS102J
RS1/16SS473J
RS1/16SS0R0J
RS1/16SS472J

C 219
C 220
C 221
C 222
C 223

CKSSYB104K10
CKSSYB103K16
CKSSYB104K10
CCSSCH560J50
CCSSCH5R0C50

R 719
R 720
R 721
R 724
R 725

RS1/16SS221J
RS1/16SS471J
RS1/16S0R0J
RS1/16S473J
RS1/16SS222J

C 224
C 225
C 226
C 227
C 228

CKSSYB104K10
CKSSYB103K16
CCSSCH680J50
CCSSCH470J50
CKSSYB682K25

R 726
R 727
R 729
R 730
R 731

RS1/16SS103J
RS1/16SS473J
RS1/16SS223J
RS1/16SS473J
RS1/16SS104J

C 230
C 232
C 233
C 234
C 235

10 μ F/6.3V
220 μ F/4V

CKSSYB104K10
CKSSYB104K10
CCH1470
CCH1590
CKSRYB224K16

R 732
R 733
R 735
R 737
R 740

RS1/16SS104J
RS1/16SS104J
RS1/16SS473J
RS1/16SS104J
RS1/16SS473J

C 237
C 239
C 242
C 246
C 250

CKSSYB104K10
CCSSCH330J50
CKSSYB104K10
CKSSYB104K10
CKSRYB102K50

R 742
R 745
R 746
R 750
R 754

RS1/16SS104J
RS1/16SS473J
RS1/16SS104J
RS1/16SS473J
RS1/16SS102J

C 251
C 260
C 301
C 302
C 303

CKSRYB102K50
CKSSYB104K10
CKSSYB221K50
CKSSYB221K50
CKSSYB472K25

R 755
R 756
R 765
R 769
R 773

RS1/16SS102J
RS1/16SS104J
RAB4CQ221J
RAB4CQ221J
RAB4CQ221J

C 304
C 305
C 306
C 307

100 μ F/16V

CKSSYB103K16
CCH1504
CKSSYB104K10
CKSSYB104K10

<u>Circuit Symbol and No.</u>		<u>Part No.</u>
C 501		CKSRYB224K16
C 505		CKSQYB475K6R3
C 601		CCSRCH102J50
C 602		CCSRCH102J50
C 603	4.7μF/25V	CCH1568
C 604	4.7μF/25V	CCH1568
C 701		CKSSYB104K10
C 702		CKSSYB471K50
C 703		CKSSYB103K16
C 704	4.7μF/25V	CCH1592
C 706		CKSSYB104K10
C 707		CKSSYB104K10
C 712		CKSRYB224K16
C 713		CKSSYB104K10
C 714		CKSSYB104K10
C 716		CKSSYB103K16
C 720		CKSQYB225K10
C 722		CKSRYB105K10
C 903		CKSSYB471K50
C 906		CKSRYB224K16
C 907		CKSSYB103K16
C 910		CKSQYB225K10

Miscellaneous Parts List

M 1	Pickup Unit(P10)(Service)	CXX1641
M 1	Motor Unit(SPINDLE)	CXB6007
M 2	Motor Unit(LOADING/CARRIAGE)	CXB8933