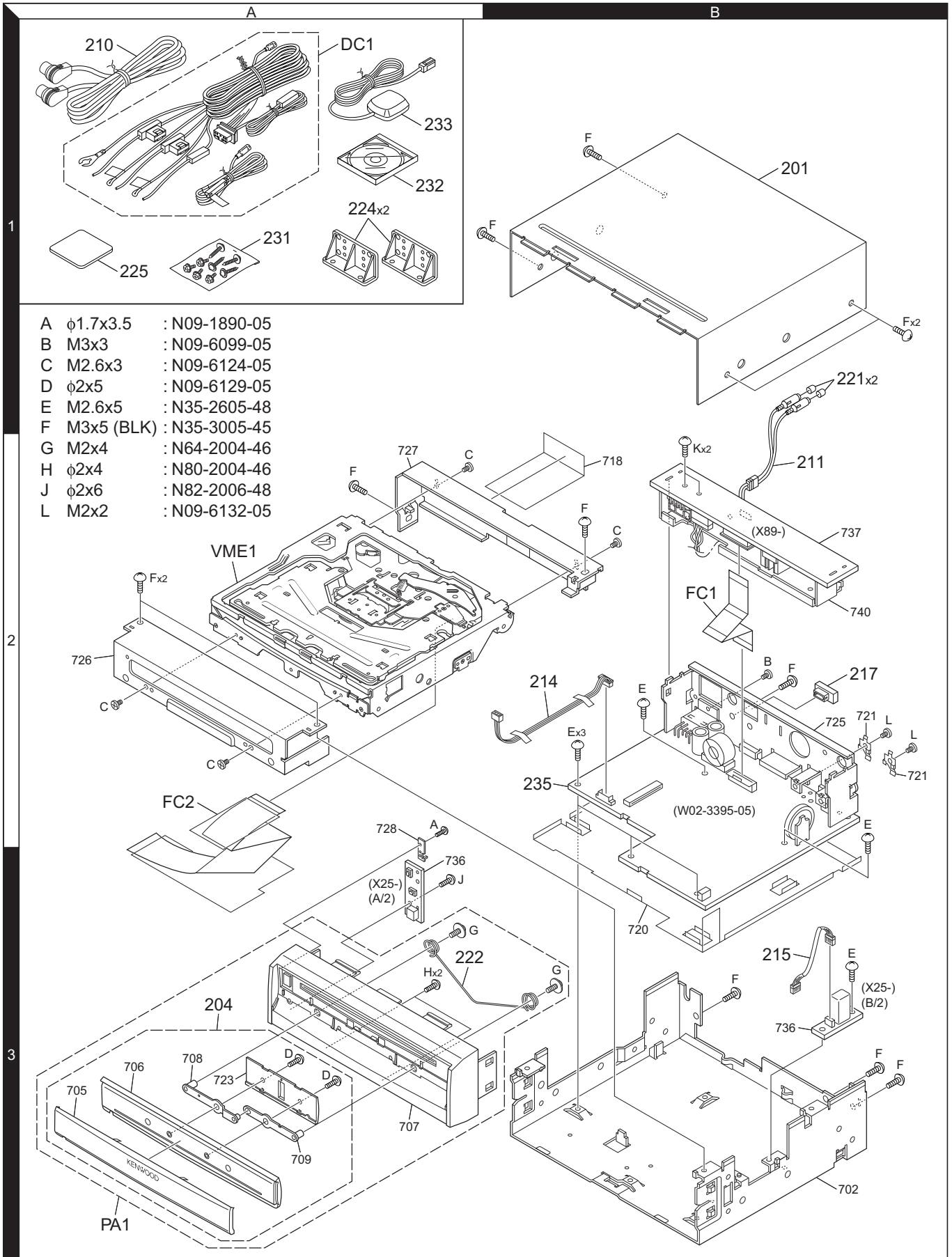


EXPLODED VIEW (UNIT)



Parts with the exploded numbers larger than 700 are not supplied.

PARTS LIST

* New parts

Parts without **Parts No.** are not supplied.

Les articles non mentionnés dans le **Parts No.** ne sont pas fournis.

Teile ohne **Parts No.** werden nicht geliefert.

Ref. No.	Ad	New	Parts No.	Description	Destination
KNA-DV3100/DV3200					
201	1B	*	A01-2816-02	METALLIC CABINET	K
201	1B	*	A01-2821-02	METALLIC CABINET	E1
204	3A	*	A21-4296-03	DRESSING PANEL ASSY	
PA1	3A	*	A64-3105-03	PANEL ASSY	K
PA1	3A	*	A64-3106-03	PANEL ASSY	E1
-			B46-0100-50	WARRANTY CARD	
-		*	B46-0648-13	USER CARD	K
-		*	B54-4407-00	INSTALLATION MANUAL (ENG.FRE.)	K
-		*	B54-4408-00	INSTALLATION MANU (ENG.FRE.GER.)	E1
-		*	B54-4408-00	INSTALLATION MANU (DUT.ITA.SPA.)	E1
-		*	B64-2615-00	INSTRUCTION MANUAL (ENG.FRE.)	K
-		*	B64-2616-00	INSTRUCTION MANUAL (ENG.FRE.)	E1
-		*	B64-2617-00	INSTRUCTION MANUAL (GER.DUT.)	E1
-		*	B64-2618-00	INSTRUCTION MANUAL (ITA.SPA.)	E1
210	1A		E30-6199-05	CONNECTING CORD ASSY	
211	2B	*	E30-6252-05	AUDIO CORD	
214	2A	*	E39-0552-05	WIRING HARNESS 3PIN	
215	3B	*	E39-0553-15	WIRING HARNESS 5PIN	
△ DC1	1A		E30-4964-05	DC CORD ASSY	
FC1	2B		E39-0513-05	FLAT CABLE	
FC2	2A	*	E39-0551-15	FLAT CABLE 50PIN	
217	2B		F09-1234-05	CAP	
221	1B		F29-0049-05	INSULATING COVER	
F1	1A	*	F52-0003-05	FUSE (3A)	
F2	1A		F52-0004-05	FUSE (5A)	
222	3A	*	G09-2055-04	FORMED WIRE	
-			H02-0829-13	INNER CARTON CASE	
-		*	H10-4879-02	POLYSTYRENE FOAMED FIXTURE	
-		*	H13-2045-04	CARTON BOARD	
-			H25-0338-04	PROTECTION BAG 250X350X0.03	
-			H25-1110-04	PROTECTION BAG 300X450X0.5	K
-			H25-1115-04	PROTECTION BAG	E1
-		*	H54-2918-13	ITEM CARTON CASE	K
-		*	H54-2919-03	ITEM CARTON CASE	E1
224	1A	*	J19-5246-04	BRACKET	
225	1A		J21-9867-04	MOUNTING HARDWARE	
231	1A		N99-1713-05	SCREW SET	
A	3A		N09-1890-05	TAPTITE SCREW 1.7X3.5	
B	2B		N09-6099-05	MACHINE SCREW M3X3	
C	2A	*	N09-6124-05	MACHINE SCREW M2.6X 3	
D	3A	*	N09-6129-05	TAPTITE SCREW	
E	2B	*	N35-2605-48	BINDING HEAD MACHINE SCREW	
F	1B		N35-3005-45	BINDING HEAD MACHINE SCREW	
G	3A		N64-2004-46	PAN HEAD SEMS SCREW	
H	3A		N80-2004-46	PAN HEAD TAPTITE SCREW	
J	3A		N82-2006-48	BINDING HEAD TAPTITE SCREW	
L	2B	*	N09-6132-05	MACHINE SCREW M3X3	
232	1A	*	W01-1618-05	DVD	K
232	1A	*	W01-1619-05	DVD	E1
233	1A		W02-3261-05	ELECTRIC CIRCUIT MODULE (G-ANT)	

Ref. No.	Ad	New	Parts No.	Description	Destination
235	2B	*	W02-3395-15	ELECTRIC CIRCUIT MODULE (NAVI-B)	
VME1	2A	*	X92-4740-00	DVD MECHANISM ASSY DVS-3020	
SWITCH UNIT (X25-9742-71)					
C10			CK73GB1C104K	CHIP C 0.10UF K	
CN10			E41-0362-05	PIN ASSY 5P	
CN11			E40-5168-05	PIN ASSY 3P	
R3,4			RK73GB2A102J	CHIP R 1.0K J 1/10W	
S1,2			S70-0884-05	TACT SWITCH	
D1			RD5.6S	ZENER DIODE	
A10			W02-3382-05	ELECTRIC CIRCUIT MODULE (GYRO)	
DAUGHTER UNIT (X89-2622-71)					
C1			C92-0040-05	CHIP-ELE 47UF 16WV	
C2,3			CC73GCH1H221J	CHIP C 220PF J	
C5			CC73GCH1H220J	CHIP C 22PF J	
C6,7			C92-1791-05	ELECTRO 220UF 6.3WV	
C8			CK73FB1C105K	CHIP C 1.0UF K	
C9			CC73GCH1H221J	CHIP C 220PF J	
C10			CK73FB1C334K	CHIP C 0.33UF K	
C11			CK73FB1C105K	CHIP C 1.0UF K	
C12			CC73GCH1H101J	CHIP C 100PF J	
C13			CK73FB1C105K	CHIP C 1.0UF K	
C14			C92-1791-05	ELECTRO 220UF 6.3WV	
C15,16			CC73GCH1H221J	CHIP C 220PF J	
C18			C92-1791-05	ELECTRO 220UF 6.3WV	
C19			CK73GB1H103K	CHIP C 0.010UF K	
C20			CC73GCH1H221J	CHIP C 220PF J	
C21			CC73GCH1H101J	CHIP C 100PF J	
C22			CK73FB1A225K	CHIP C 2.2UF K	
C24			CK73GB1C104K	CHIP C 0.10UF K	
C25,26			CC73GCH1H221J	CHIP C 220PF J	
C27			CC73GCH1H470J	CHIP C 47PF J	
C28			CK73GB1C104K	CHIP C 0.10UF K	
C29			CC73GCH1H221J	CHIP C 220PF J	
C30			CC73GCH1H471J	CHIP C 470PF J	
C31			C92-1791-05	ELECTRO 220UF 6.3WV	
C34			CK73GB1H102K	CHIP C 1000PF K	
C35			CC73GCH1H221J	CHIP C 220PF J	
C37,38			CC73GCH1H221J	CHIP C 220PF J	
C39			C92-0671-05	ELECTRO 10UF 16WV	
C41,42			CC73GCH1H101J	CHIP C 100PF J	
C43			CK73GB1H103K	CHIP C 0.010UF K	
C45			CK73GB1H102K	CHIP C 1000PF K	
C46			CK73GB1H103K	CHIP C 0.010UF K	
C47			CC73GCH1H221J	CHIP C 220PF J	
C48			CK73GB1C104K	CHIP C 0.10UF K	
C49			CK73GB1H472K	CHIP C 4700PF K	
C50			CC73GCH1H221J	CHIP C 220PF J	
C53			CK73GB1C104K	CHIP C 0.10UF K	
C54			CK73GB1H472K	CHIP C 4700PF K	
C56			CC73GCH1H221J	CHIP C 220PF J	

K : KNA-DV3100 E1 : KNA-DV3200

(K : North America E : Europe)

△ Indicates safety critical components.

PARTS LIST

* New parts

Parts without **Parts No.** are not supplied.

Les articles non mentionnés dans le **Parts No.** ne sont pas fournis.

Teile ohne **Parts No.** werden nicht geliefert.

DAUGHTER UNIT (X89-2622-71)

Ref. No.	Add	New	Parts No.	Description	Destination
C57			CK73GB1H222K	CHIP C 2200PF K	
C58			CK73GB1C104K	CHIP C 0.10UF K	
C59			C92-0671-05	ELECTRO 10UF 16WV	
C60			CK73FB1C334K	CHIP C 0.33UF K	
C61			CK73GB1H103K	CHIP C 0.010UF K	
CN1			E41-0401-05	FLAT CABLE CONNECTOR 32PIN	
CN2			E40-3240-05	PIN ASSY 5P	
J1			E56-0843-05	CYLINDRICAL RECEPTACLE 13P	
J3			E58-0867-15	RECTANGULAR RECEPTACLE	
J4			E11-0635-05	MINIATURE PHONE JACK	
J5			E11-0634-05	MINIATURE PHONE JACK	
J6			E58-0906-05	RECTANGULAR RECEPTACLE	
L1			L92-0315-05	CHIP FERRITE	
L2-4			L92-0340-05	CHIP FERRITE	
K	2B		N83-3005-41	PAN HEAD TAPTITE SCREW	
CP1			R90-0727-05	MULTI-COMP 120 X4	
R1			RK73EB2E101J	CHIP R 100 J 1/4W	
R2		*	RK73EB2E202J	CHIP R 2.0K J 1/4W	
R3			RK73EB2E102J	CHIP R 1.0K J 1/4W	
R4			RK73EB2E101J	CHIP R 100 J 1/4W	
R5			RK73EB2E223J	CHIP R 22K J 1/4W	
R6		*	RK73EB2E202J	CHIP R 2.0K J 1/4W	
R7			RK73EB2E102J	CHIP R 1.0K J 1/4W	
R8			RK73GB2A471J	CHIP R 470 J 1/10W	
R10			RK73EB2E223J	CHIP R 22K J 1/4W	
R20			RK73EB2E151J	CHIP R 150 J 1/4W	
R21			RK73GB2A392J	CHIP R 3.9K J 1/10W	
R24			RK73GB2A103J	CHIP R 10K J 1/10W	
R25			RK73GB2A473J	CHIP R 47K J 1/10W	
R27			RK73GB2A473J	CHIP R 47K J 1/10W	
R28			RK73GB2A682J	CHIP R 6.8K J 1/10W	
R29			RK73EB2E620J	CHIP R 62 J 1/4W	
R30			RK73GB2A223J	CHIP R 22K J 1/10W	
R31			RK73GB2A103J	CHIP R 10K J 1/10W	
R34			RK73GB2A102J	CHIP R 1.0K J 1/10W	
R35			RK73EB2E121J	CHIP R 120 J 1/4W	
R38			RK73GB2A223J	CHIP R 22K J 1/10W	
R39			RK73GB2A103J	CHIP R 10K J 1/10W	
R40,41			RK73EB2E620J	CHIP R 62 J 1/4W	
R42			RK73EB2E681J	CHIP R 680 J 1/4W	
R43			RK73GB2A223J	CHIP R 22K J 1/10W	
R44,45			RK73GB2A103J	CHIP R 10K J 1/10W	
R46			RK73GB2A102J	CHIP R 1.0K J 1/10W	
R47			RK73GB2A223J	CHIP R 22K J 1/10W	
R48			RK73GB2A471J	CHIP R 470 J 1/10W	
R49			RK73GB2A223J	CHIP R 22K J 1/10W	
R50			RK73GB2A103J	CHIP R 10K J 1/10W	
R51			RK73EB2E750J	CHIP R 75 J 1/4W	
R52			RK73EB2E223J	CHIP R 22K J 1/4W	
R53			RK73EB2E471J	CHIP R 470 J 1/4W	
R54			RK73EB2E223J	CHIP R 22K J 1/4W	
R56			RK73GB2A223J	CHIP R 22K J 1/10W	
R57			RK73EB2E620J	CHIP R 62 J 1/4W	

Ref. No.	Add	New	Parts No.	Description	Destination
R58			RK73GB2A223J	CHIP R 22K J 1/10W	
R59			RK73GB2A472J	CHIP R 4.7K J 1/10W	
R60			RK73EB2E223J	CHIP R 22K J 1/4W	
R61			RK73GB2A471J	CHIP R 470 J 1/10W	
R64			RK73GB2A472J	CHIP R 4.7K J 1/10W	
R65			RK73EB2E221J	CHIP R 220 J 1/4W	
R67			RK73EB2E223J	CHIP R 22K J 1/4W	
R68			RK73EB2E221J	CHIP R 220 J 1/4W	
R70,71			RK73EB2E151J	CHIP R 150 J 1/4W	
R72,73			RK73EB2E223J	CHIP R 22K J 1/4W	
R74			RK73GB2A472J	CHIP R 4.7K J 1/10W	
R75			RK73EB2E223J	CHIP R 22K J 1/4W	
R76			RK73EB2E101J	CHIP R 100 J 1/4W	
R77			RK73EB2E151J	CHIP R 150 J 1/4W	
W1,2			R92-1252-05	CHIP R 0 OHM J 1/16W	
D1-6			RD6.8MW	ZENER DIODE 6.8V	
D7-12			RD5.6S	ZENER DIODE 5.6V	
D15			DAN202U	DIODE	
IC1			BA05FP	ANALOGUE IC	
IC2			TC74VHCT08AFT	MOS-IC 14P	
IC3			NJM2118V	ANALOGUE IC	
IC4			TC74HC132AFE	MOS-IC	
Q1			DTC143EUA	DIGITAL TRANSISTOR	
Q2			DTA114EUA	DIGITAL TRANSISTOR	
Q3			2SA1576A	TRANSISTOR	
Q4			2SC4081	TRANSISTOR	
Q6-8			DTC143TUA	DIGITAL TRANSISTOR	

ELECTRIC CIRCUIT MODULE (NAVI UNIT W02-3395-15)

C101,102			CK73GB1H104K	CHIP C 0.10UF K	
C105,106			CK73GB1H104K	CHIP C 0.10UF K	
C107,108		*	C90-5512-08	ELECTRO 1000UF 25WV	
C109			CK73GB1H103K	CHIP C 0.010UF K	
C110		*	C92-1811-08	ELECTRO 47UF 35WV	
C111			CK73GB1H103K	CHIP C 0.010UF K	
C112		*	C92-1807-08	ELECTRO 220UF 35WV	
C113,114			CC73GCH1H471J	CHIP C 470PF J	
C115,116			CK73GB1H104K	CHIP C 0.10UF K	
C117			CK73FB1C334K	CHIP C 0.33UF K	
C118		*	C93-1325-08	CHIP C 1UF K	
C119		*	C92-1810-08	ELECTRO 47UF 6.3WV	
C120-122			CK73GB1H104K	CHIP C 0.10UF K	
C123			CK73FB1C334K	CHIP C 0.33UF K	
C124		*	C93-1325-08	CHIP C 1UF K	
C125-127			CK73GB1H104K	CHIP C 0.10UF K	
C128		*	C92-1811-08	ELECTRO 47UF 35WV	
C129,130			CK73GB1H104K	CHIP C 0.10UF K	
C132,133			CC73GCH1H681J	CHIP C 680PF J	
C134			C92-1776-05	ELECTRO 470UF 16WV	
C135		*	C92-1808-08	ELECTRO 1500UF 6.3WV	
C136,137			CK73GB1H104K	CHIP C 0.10UF K	
C139,140			CK73GB1H104K	CHIP C 0.10UF K	
C141			CK73GB1H103K	CHIP C 0.010UF K	
C142			CK73GB1H104K	CHIP C 0.10UF K	
C143,144			CC73GCH1H681J	CHIP C 680PF J	

K : KNA-DV3100 E1 : KNA-DV3200
(K : North America E : Europe)

△ Indicates safety critical components.

PARTS LIST

* New parts

Parts without **Parts No.** are not supplied.

Les articles non mentionnés dans le **Parts No.** ne sont pas fournis.

Teile ohne **Parts No.** werden nicht geliefert.

ELECTRIC CIRCUIT MODULE (NAVI UNIT W02-3395-15)

Ref. No.	A d d	N e w	Parts No.	Description	Desti- nation
C145		*	C92-1808-08	ELECTRO 1500UF 6.3WV	
C146		*	C92-1806-08	ELECTRO 1000UF 10WV	
C147-153			CK73GB1H104K	CHIP C 0.10UF K	
C154			C92-1776-05	ELECTRO 470UF 16WV	
C155,156			CK73GB1H104K	CHIP C 0.10UF K	
C157		*	C92-1809-08	ELECTRO 100UF 16WV	
C159		*	C93-1325-08	CHIP C 1UF K	
C160		*	C90-5511-08	ELECTRO 270UF 16WV	
C162		*	C93-1325-08	CHIP C 1UF K	
C216		*	C93-1327-08	CHIP C 10UF 16WV	
C218			CK73GB1H103K	CHIP C 0.010UF K	
C219		*	C93-1325-08	CHIP C 1UF K	
C220			CK73GB1H103K	CHIP C 0.010UF K	
C221		*	C93-1325-08	CHIP C 1UF K	
C251			CK73GB1H472K	CHIP C 4700PF K	
C252		*	C92-1805-08	ELECTRO 22UF 16WV	
C253		*	C93-1325-08	CHIP C 1UF K	
C254,255			CK73GB1H102K	CHIP C 1000PF K	
C256			CK73GB1H103K	CHIP C 0.010UF K	
C263			CK73GB1H472K	CHIP C 4700PF K	
C264,265			CK73GB1H104K	CHIP C 0.10UF K	
C301			CK73GB1H104K	CHIP C 0.10UF K	
C303,304			CC73GCH1H221J	CHIP C 220PF J	
C307			CK73GB1H104K	CHIP C 0.10UF K	
C309,310			CK73GB1H104K	CHIP C 0.10UF K	
C312			CK73GB1H104K	CHIP C 0.10UF K	
C320			CK73GB1H392K	CHIP C 3900PF K	
C321		*	C93-1325-08	CHIP C 1UF K	
C322			CK73GB1H392K	CHIP C 3900PF K	
C323			CK73GB1H102K	CHIP C 1000PF K	
C326			CK73GB1H104K	CHIP C 0.10UF K	
C329			CK73GB1H392K	CHIP C 3900PF K	
C331			CK73GB1H104K	CHIP C 0.10UF K	
C332		*	C93-1327-08	CHIP C 10UF 16WV	
C333			CK73GB1H104K	CHIP C 0.10UF K	
C334		*	C93-1325-08	CHIP C 1UF K	
C521			CK73HB1C103K	CHIP C 0.010UF K	
C522-527			CC73HCH1H100D	CHIP C 10PF D	
C528			CK73HB1C103K	CHIP C 0.010UF K	
C529,530			CK73HB1A473K	CHIP C 0.047UF K	
C531			CK73HB1H102K	CHIP C 1000PF K	
C532			CK73HB1C103K	CHIP C 0.010UF K	
C533			CK73HB1A473K	CHIP C 0.047UF K	
C534			CK73HB1H102K	CHIP C 1000PF K	
C535			CK73HB1A473K	CHIP C 0.047UF K	
C536-543			CK73HB1C103K	CHIP C 0.010UF K	
C544		*	C93-1325-08	CHIP C 1UF K	
C546			CC73HCH1H100D	CHIP C 10PF D	
C548,549			CC73GCH1H470J	CHIP C 47PF J	
C551			CC73GCH1H221J	CHIP C 220PF J	
C552		*	C93-1327-08	CHIP C 10UF 16WV	
C553		*	C92-1825-08	TANTALUM C 4.7UF 25WV	
C554,555			CK73GB1H103K	CHIP C 0.010UF K	
C556,557			CC73GCH1H101J	CHIP C 100PF J	
C561			CK73GB1H104K	CHIP C 0.10UF K	

Ref. No.	A d d	N e w	Parts No.	Description	Desti- nation
C562			CK73GB1H103K	CHIP C 0.010UF K	
C641			CK73GB1H104K	CHIP C 0.10UF K	
C642			CC73GCH1H270J	CHIP C 27PF J	
C643			CC73GCH1H470J	CHIP C 47PF J	
C644			CK73GB1H104K	CHIP C 0.10UF K	
C645			CK73GB1H103K	CHIP C 0.010UF K	
C646			CK73GB1H104K	CHIP C 0.10UF K	
C647,648		*	C93-1327-08	CHIP C 10UF 16WV	
C652			CK73GB1H103K	CHIP C 0.010UF K	
C684			CK73GB1H103K	CHIP C 0.010UF K	
C687			CK73GB1H103K	CHIP C 0.010UF K	
C701			CC73GCH1H100D	CHIP C 10PF D	
C702			CK73GB1H103K	CHIP C 0.010UF K	
C703			CC73GCH1H470J	CHIP C 47PF J	
C704			CK73GB1H472K	CHIP C 4700PF K	
C705			CC73GCH1H100D	CHIP C 10PF D	
C706			CK73GB1H472K	CHIP C 4700PF K	
C707,708			CC73GCH1H471J	CHIP C 470PF J	
C709,710			CK73GB1H472K	CHIP C 4700PF K	
C711-713			CC73GCH1H100D	CHIP C 10PF D	
C714			CC73GCH1H471J	CHIP C 470PF J	
C715,716			CK73GB1H472K	CHIP C 4700PF K	
C717			CC73GCH1H471J	CHIP C 470PF J	
C718			CK73GB1H103K	CHIP C 0.010UF K	
C719			CK73GB1H472K	CHIP C 4700PF K	
C720			CC73GCH1H100D	CHIP C 10PF D	
C721			CK73GB1H472K	CHIP C 4700PF K	
C722			CC73GCH1H471J	CHIP C 470PF J	
C723			CK73GB1H103K	CHIP C 0.010UF K	
C724			CC73GCH1H100D	CHIP C 10PF D	
C725,726			CK73GB1H104K	CHIP C 0.10UF K	
C727,728			CC73GCH1H100D	CHIP C 10PF D	
C730,731			CK73GB1H104K	CHIP C 0.10UF K	
C732,733			CK73GB1H103K	CHIP C 0.010UF K	
C734		*	C93-1325-08	CHIP C 1UF K	
C735		*	C93-1327-08	CHIP C 10UF 16WV	
C736		*	C93-1325-08	CHIP C 1UF K	
C737			CC73GCH1H471J	CHIP C 470PF J	
C738			CK73GB1H472K	CHIP C 4700PF K	
C739		*	C93-1327-08	CHIP C 10UF 16WV	
C740			CK73GB1H104K	CHIP C 0.10UF K	
C741			CK73GB1H472K	CHIP C 4700PF K	
C742			CC73GCH1H471J	CHIP C 470PF J	
C743		*	C93-1327-08	CHIP C 10UF 16WV	
C744			CK73GB1H104K	CHIP C 0.10UF K	
C745			CK73GB1H472K	CHIP C 4700PF K	
C746			CC73GCH1H471J	CHIP C 470PF J	
C749			CK73GB1H102K	CHIP C 1000PF K	
C750			CC73GCH1H100D	CHIP C 10PF D	
C751		*	C93-1325-08	CHIP C 1UF K	
C752			CK73GB1H472K	CHIP C 4700PF K	
C753			CC73GCH1H471J	CHIP C 470PF J	
C754			CK73GB1H472K	CHIP C 4700PF K	
C755		*	C93-1325-08	CHIP C 1UF K	
C756			CK73GB1H472K	CHIP C 4700PF K	

K : KNA-DV3100 E1 : KNA-DV3200
(K : North America E : Europe)

△ Indicates safety critical components.

PARTS LIST

* New parts

Parts without **Parts No.** are not supplied.

Les articles non mentionnés dans le **Parts No.** ne sont pas fournis.

Teile ohne **Parts No.** werden nicht geliefert.

ELECTRIC CIRCUIT MODULE (NAVI UNIT W02-3395-15)

Ref. No.	Add	New	Parts No.	Description	Destination
C757			CC73GCH1H471J	CHIP C 470PF J	
C758			CK73GB1H472K	CHIP C 4700PF K	
C759		*	C93-1325-08	CHIP C 1UF K	
C760			CK73GB1H472K	CHIP C 4700PF K	
C761			CC73GCH1H471J	CHIP C 470PF J	
C762			CK73GB1H472K	CHIP C 4700PF K	
C763		*	C93-1325-08	CHIP C 1UF K	
C764			CK73GB1H472K	CHIP C 4700PF K	
C765			CC73GCH1H471J	CHIP C 470PF J	
C766			CK73GB1H472K	CHIP C 4700PF K	
C767			CC73GCH1H100D	CHIP C 10PF D	
C770,771			CC73HCH1H100D	CHIP C 10PF D	
C772,773			CK73GB1H103K	CHIP C 0.010UF K	
C774-776			CC73HCH1H100D	CHIP C 10PF D	
C778-780			CC73HCH1H100D	CHIP C 10PF D	
C781			CK73GB1H102K	CHIP C 1000PF K	
C782			CK73GB1H103K	CHIP C 0.010UF K	
C783			CK73GB1H102K	CHIP C 1000PF K	
C784			CK73GB1H103K	CHIP C 0.010UF K	
C785			CK73GB1H102K	CHIP C 1000PF K	
C786			CK73GB1H472K	CHIP C 4700PF K	
C787-789			CC73HCH1H100D	CHIP C 10PF D	
C790,791		*	C93-1327-08	CHIP C 10UF 16WV	
C793			CK73GB1H104K	CHIP C 0.10UF K	
C794		*	C93-1325-08	CHIP C 1UF K	
C795			CK73HB1H102K	CHIP C 1000PF K	
C902			CK73GB1H103K	CHIP C 0.010UF K	
C954			CK73GB1H682K	CHIP C 6800PF K	
C957			CK73GB1H152K	CHIP C 1500PF K	
C958,959			CK73GB1H473K	CHIP C 0.047UF K	
C960			CK73GB1H103K	CHIP C 0.010UF K	
C961			CK73GB1H104K	CHIP C 0.10UF K	
C962			CC73GCH1H151J	CHIP C 150PF J	
C963			CC73GCH1H101J	CHIP C 100PF J	
C964-967			CK73GB1H104K	CHIP C 0.10UF K	
CN100		*	E58-0976-08	RECTANGULAR RECEPTACLE	
CN110			E40-5751-05	PIN ASSY	
CN320		*	E41-2006-08	FLAT CABLE CONNECTOR	
CN350		*	E41-2003-08	FLAT CABLE CONNECTOR	
CN400			E58-0921-08	RECTANGULAR RECEPTACLE	
CN600		*	E41-2004-08	PIN ASSY	
CN710		*	E41-0362-05	PIN ASSY	
F521		*	L78-0887-08	FILTER	
L101			L33-1171-08	CHOKE COIL	
L102,103		*	L33-1855-05	CHOKE COIL 100UH	
L104		*	L33-1955-08	CHOKE COIL	
L105		*	L33-1855-05	CHOKE COIL 100UH	
L521		*	L33-1951-08	CHOKE COIL 39nH	
L522		*	L33-1952-08	CHOKE COIL 100nH	
L523		*	L33-1951-08	CHOKE COIL 39nH	
L731			L92-0330-05	CHIP FERRITE	
X101			L78-0823-08	RESONATOR 4MHz	
X701		*	L78-0884-08	RESONATOR 12.080964MHz	
X702		*	L78-0886-08	RESONATOR 32.768kHz	

Ref. No.	Add	New	Parts No.	Description	Destination
R101,102			RK73EB2E392J	CHIP R 3.9K J 1/4W	
R103			R92-3207-05	CHIP R 17.8K J 1/4W	
R104		*	R92-3437-08	CHIP R 34.8K J 1/10W	
R105			RK73EB2E103J	CHIP R 10K J 1/4W	
R106			RK73EB2E223J	CHIP R 22K J 1/4W	
R107		*	R92-3446-08	CHIP R 8.06K J 1/10W	
R108		*	R92-3424-08	CHIP R 10K J 1/10W	
R109		*	R92-3443-08	CHIP R 49.9K J 1/10W	
R110		*	R92-3452-08	CHIP R 180 J 1W	
R111		*	R92-3429-08	CHIP R 150K J 1/10W	
R112			RK73EB2E223J	CHIP R 22K J 1/4W	
R113		*	R92-3434-08	CHIP R 24.9K J 1/10W	
R114		*	R92-3448-08	CHIP R 8.66K J 1/10W	
R115			RK73EB2E103J	CHIP R 10K J 1/4W	
R116		*	R92-3424-08	CHIP R 10K J 1/10W	
R117		*	R92-3425-08	CHIP R 100K J 1/10W	
R118		*	R92-3441-08	CHIP R 46.4K J 1/10W	
R119		*	R92-3425-08	CHIP R 100K J 1/10W	
R120		*	R92-3429-08	CHIP R 150K J 1/10W	
R121,122		*	R92-3434-08	CHIP R 24.9K J 1/10W	
R123		*	R92-3433-08	CHIP R 22.6K J 1/10W	
R124			RK73GB2A104J	CHIP R 100K J 1/10W	
R125		*	R92-3430-08	CHIP R 18.2K J 1/10W	
R126		*	R92-3425-08	CHIP R 100K J 1/10W	
R127			RK73GB2A104J	CHIP R 100K J 1/10W	
R130			RK73GB2A104J	CHIP R 100K J 1/10W	
R131-133		*	R92-3434-08	CHIP R 24.9K J 1/10W	
R134			RK73GB2A104J	CHIP R 100K J 1/10W	
R135		*	R92-3428-08	CHIP R 15K J 1/10W	
R136		*	R92-3434-08	CHIP R 24.9K J 1/10W	
R137			RK73GB2A104J	CHIP R 100K J 1/10W	
R138		*	R92-3434-08	CHIP R 24.9K J 1/10W	
R139		*	R92-3426-08	CHIP R 12.1K J 1/10W	
R140,141			RK73GB2A104J	CHIP R 100K J 1/10W	
R142		*	RK73HB1J000J	CHIP R 0.0 J 1/16W	
R143		*	R92-3434-08	CHIP R 24.9K J 1/10W	
R144			RK73GB2A104J	CHIP R 100K J 1/10W	
R145,146		*	R92-3434-08	CHIP R 24.9K J 1/10W	
R147			RK73EB2E222J	CHIP R 2.2K J 1/4W	
R148			RK73EB2E102J	CHIP R 1.0K J 1/4W	
R149			RK73EB2E331J	CHIP R 330 J 1/4W	
R150,151			RK73HB1J470J	CHIP R 47 J 1/16W	
R152			RK73HB1J223J	CHIP R 22K J 1/16W	
R153			RK73HB1J103J	CHIP R 10K J 1/16W	
R154			RK73HB1J223J	CHIP R 22K J 1/16W	
R155,156		*	R92-3451-08	CHIP R 3.3 J 1/10W	
R157			RK73HB1J222J	CHIP R 2.2K J 1/16W	
R158		*	R92-3432-08	CHIP R 22.1K J 1/10W	
R159		*	R92-3476-08	CHIP R 4.75K J 1/10W	
R160		*	R92-3432-08	CHIP R 22.1K J 1/10W	
R161		*	R92-3427-08	CHIP R 13K J 1/10W	
R162			RK73HB1J222J	CHIP R 2.2K J 1/16W	
R163			RK73HB1J102J	CHIP R 1.0K J 1/16W	
R164			RK73EB2E331J	CHIP R 330 J 1/4W	
R165			RK73EB2E222J	CHIP R 2.2K J 1/4W	

K : KNA-DV3100 **E1** : KNA-DV3200
(K : North America **E** : Europe)

△ Indicates safety critical components.

PARTS LIST

* New parts

Parts without **Parts No.** are not supplied.

Les articles non mentionnés dans le **Parts No.** ne sont pas fournis.

Teile ohne **Parts No.** werden nicht geliefert.

ELECTRIC CIRCUIT MODULE (NAVI UNIT W02-3395-15)

Ref. No.	A d	N e w	Parts No.	Description	Desti- nation
R166			RK73EB2E102J	CHIP R 1.0K J 1/4W	
R167,168			RK73HB1J470J	CHIP R 47 J 1/16W	
R169			RK73HB1J103J	CHIP R 10K J 1/16W	
R170			RK73HB1J223J	CHIP R 22K J 1/16W	
R172			RK73HB1J473J	CHIP R 47K J 1/16W	
R173			RK73HB1J104J	CHIP R 100K J 1/16W	
R175,176		*	R92-3451-08	CHIP R 3.3 J 1/10W	
R177-180		*	R92-3423-08	CHIP R 1K J 1/10W	
R181			RK73HB1J104J	CHIP R 100K J 1/16W	
R182		*	R92-3461-08	CHIP R 16K J 1/16W	
R183		*	R92-3445-08	CHIP R 5.90K J 1/10W	
R184,185		*	R92-3434-08	CHIP R 24.9K J 1/10W	
R186		*	R92-3447-08	CHIP R 8.25K J 1/10W	
R187			RK73HB1J331J	CHIP R 330 J 1/16W	
R188,189			RK73HB1J102J	CHIP R 1.0K J 1/16W	
R190			RK73HB1J472J	CHIP R 4.7K J 1/16W	
R191,192			RK73HB1J104J	CHIP R 100K J 1/16W	
R195			RK73HB1J102J	CHIP R 1.0K J 1/16W	
R202			RK73HB1J223J	CHIP R 22K J 1/16W	
R203			RK73HB1J104J	CHIP R 100K J 1/16W	
R205			RK73HB1J222J	CHIP R 2.2K J 1/16W	
R207		*	RK73HB1J000J	CHIP R 0.0 J 1/16W	
R209			RK73HB1J471J	CHIP R 470 J 1/16W	
R238,239			RK73HB1J223J	CHIP R 22K J 1/16W	
R240		*	RK73HB1J000J	CHIP R 0.0 J 1/16W	
R241		*	R92-3436-08	CHIP R 3.01K J 1/10W	
R242-244		*	R92-3423-08	CHIP R 1K J 1/10W	
R251,252			RK73EB2E103J	CHIP R 10K J 1/4W	
R253,254			RK73EB2E122J	CHIP R 1.2K J 1/4W	
R256			RK73EB2E122J	CHIP R 1.2K J 1/4W	
R257			RK73EB2E272J	CHIP R 2.7K J 1/4W	
R258			RK73HB1J472J	CHIP R 4.7K J 1/16W	
R259			RK73EB2E272J	CHIP R 2.7K J 1/4W	
R260,261			RK73HB1J563J	CHIP R 56K J 1/16W	
R263			RK73EB2E223J	CHIP R 22K J 1/4W	
R264			RK73HB1J223J	CHIP R 22K J 1/16W	
R265			RK73HB1J103J	CHIP R 10K J 1/16W	
R266			RK73HB1J104J	CHIP R 100K J 1/16W	
R267			RK73HB1J393J	CHIP R 39K J 1/16W	
R268			RK73HB1J105J	CHIP R 1.0M J 1/16W	
R269			RK73HB1J102J	CHIP R 1.0K J 1/16W	
R271			RK73HB1J103J	CHIP R 10K J 1/16W	
R272		*	R92-3431-08	CHIP R 200 J 1/10W	
R273		*	R92-3435-08	CHIP R 301 J 1/10W	
R274			RK73HB1J103J	CHIP R 10K J 1/16W	
R275			RK73HB1J104J	CHIP R 100K J 1/16W	
R277			RK73HB1J103J	CHIP R 10K J 1/16W	
R278			RK73HB1J224J	CHIP R 220K J 1/16W	
R279,280		*	RK73HB1J000J	CHIP R 0.0 J 1/16W	
R301		*	R92-3461-08	CHIP R 16K J 1/16W	
R303		*	R92-3461-08	CHIP R 16K J 1/16W	
R306			RK73HB1J822J	CHIP R 8.2K J 1/16W	
R308			RK73HB1J563J	CHIP R 56K J 1/16W	
R309			RK73HB1J822J	CHIP R 8.2K J 1/16W	
R311			RK73HB1J563J	CHIP R 56K J 1/16W	

Ref. No.	A d	N e w	Parts No.	Description	Desti- nation
R322			RK73EB2E102J	CHIP R 1.0K J 1/4W	
R330		*	RK73HB1J000J	CHIP R 0.0 J 1/16W	
R332			RK73HB1J103J	CHIP R 10K J 1/16W	
R333			RK73HB1J102J	CHIP R 1.0K J 1/16W	
R336		*	R92-3460-08	CHIP R 13K J 1/16W	
R337			RK73HB1J222J	CHIP R 2.2K J 1/16W	
R338			RK73HB1J273J	CHIP R 27K J 1/16W	
R339		*	RK73HB1J000J	CHIP R 0.0 J 1/16W	
R340,341		*	R92-3460-08	CHIP R 13K J 1/16W	
R342			RK73HB1J122J	CHIP R 1.2K J 1/16W	
R343			RK73HB1J822J	CHIP R 8.2K J 1/16W	
R344		*	R92-3435-08	CHIP R 301 J 1/10W	
R345		*	R92-3431-08	CHIP R 200 J 1/10W	
R348			RK73HB1J104J	CHIP R 100K J 1/16W	
R359-361			RK73HB1J102J	CHIP R 1.0K J 1/16W	
R465		*	R92-3442-08	CHIP R 47.5K J 1/10W	
R501,502			RK73EB2E101J	CHIP R 100 J 1/4W	
R504,505		*	RK73HB1J000J	CHIP R 0.0 J 1/16W	
R517			RK73HB1J223J	CHIP R 22K J 1/16W	
R521		*	R92-3424-08	CHIP R 10K J 1/10W	
R522		*	R92-3439-08	CHIP R 40.2K J 1/10W	
R523,524			R92-3210-05	CHIP R 30 J 1W	
R525			RK73HB1J223J	CHIP R 22K J 1/16W	
R526		*	R92-3424-08	CHIP R 10K J 1/10W	
R527		*	R92-3438-08	CHIP R 37.4K J 1/10W	
R528		*	R92-3424-08	CHIP R 10K J 1/10W	
R529		*	R92-3427-08	CHIP R 13K J 1/10W	
R530			RK73HB1J124J	CHIP R 120K J 1/16W	
R531,532			RK73HB1J473J	CHIP R 47K J 1/16W	
R534,535		*	RK73HB1J000J	CHIP R 0.0 J 1/16W	
R536,537			RK73HB1J105J	CHIP R 1.0M J 1/16W	
R539-542			RK73HB1J105J	CHIP R 1.0M J 1/16W	
R547			RK73HB1J472J	CHIP R 4.7K J 1/16W	
R548,549			RK73HB1J103J	CHIP R 10K J 1/16W	
R550			RK73HB1J220J	CHIP R 22 J 1/16W	
R552		*	RK73HB1J000J	CHIP R 0.0 J 1/16W	
R557			RK73HB1J472J	CHIP R 4.7K J 1/16W	
R558,559			RK73HB1J103J	CHIP R 10K J 1/16W	
R571			RK73HB1J472J	CHIP R 4.7K J 1/16W	
R572			RK73HB1J223J	CHIP R 22K J 1/16W	
R611			RK73HB1J102J	CHIP R 1.0K J 1/16W	
R646,647		*	RK73HB1J000J	CHIP R 0.0 J 1/16W	
R648			RK73HB1J222J	CHIP R 2.2K J 1/16W	
R649,650			RK73HB1J100J	CHIP R 10 J 1/16W	
R651			RK73HB1J222J	CHIP R 2.2K J 1/16W	
R652-655			RK73HB1J100J	CHIP R 10 J 1/16W	
R690		*	R92-3479-08	CHIP R 340 J 1/10W	
R691		*	R92-3435-08	CHIP R 301 J 1/10W	
R692,693		*	RK73HB1J000J	CHIP R 0.0 J 1/16W	
R700,701			RK73HB1J473J	CHIP R 47K J 1/16W	
R702			RK73HB1J102J	CHIP R 1.0K J 1/16W	
R711,712			R92-2052-05	CHIP R 0 OHM J 1/10W	
R713			RK73HB1J220J	CHIP R 22 J 1/16W	
R714			RK73HB1J223J	CHIP R 22K J 1/16W	
R716			RK73HB1J220J	CHIP R 22 J 1/16W	

K : KNA-DV3100 E1 : KNA-DV3200

(K : North America E : Europe)

△ Indicates safety critical components.

PARTS LIST

* New parts

Parts without **Parts No.** are not supplied.

Les articles non mentionnés dans le **Parts No.** ne sont pas fournis.

Teile ohne **Parts No.** werden nicht geliefert.

ELECTRIC CIRCUIT MODULE (NAVI UNIT W02-3395-15)

Ref. No.	Add	New	Parts No.	Description	Destination
R717		*	RK73HB1J000J	CHIP R 0.0 J 1/16W	
R718			RK73HB1J105J	CHIP R 1.0M J 1/16W	
R719			RK73HB1J331J	CHIP R 330 J 1/16W	
R720		*	RK73HB1J000J	CHIP R 0.0 J 1/16W	
R729			RK73HB1J223J	CHIP R 22K J 1/16W	
R730			RK73HB1J123J	CHIP R 12K J 1/16W	
R731			RK73HB1J103J	CHIP R 10K J 1/16W	
R733		*	RK73HB1J000J	CHIP R 0.0 J 1/16W	
R736		*	R92-3459-08	CHIP R 10M J 1/10W	
R737			RK73HB1J472J	CHIP R 4.7K J 1/16W	
R739-741			RK73HB1J102J	CHIP R 1.0K J 1/16W	
R751		*	RK73HB1J000J	CHIP R 0.0 J 1/16W	
R752			RK73HB1J222J	CHIP R 2.2K J 1/16W	
R753		*	RK73HB1J000J	CHIP R 0.0 J 1/16W	
R754-757			RK73HB1J820J	CHIP R 82 J 1/16W	
R758		*	RK73HB1J000J	CHIP R 0.0 J 1/16W	
R766			RK73HB1J102J	CHIP R 1.0K J 1/16W	
R767			RK73HB1J222J	CHIP R 2.2K J 1/16W	
R768			RK73HB1J473J	CHIP R 47K J 1/16W	
R769,770			RK73HB1J102J	CHIP R 1.0K J 1/16W	
R771			RK73HB1J222J	CHIP R 2.2K J 1/16W	
R773-777		*	RK73HB1J000J	CHIP R 0.0 J 1/16W	
R778			RK73HB1J222J	CHIP R 2.2K J 1/16W	
R781			RK73HB1J103J	CHIP R 10K J 1/16W	
R782			RK73HB1J104J	CHIP R 100K J 1/16W	
R783			RK73HB1J103J	CHIP R 10K J 1/16W	
R835		*	RK73HB1J000J	CHIP R 0.0 J 1/16W	
R954,955		*	R92-3428-08	CHIP R 15K J 1/10W	
R958		*	RK73HB1J000J	CHIP R 0.0 J 1/16W	
R959		*	R92-3428-08	CHIP R 15K J 1/10W	
R960,961			RK73HB1J473J	CHIP R 47K J 1/16W	
R962		*	R92-3481-08	CHIP R 0 J 1/4W	
R965		*	R92-3432-08	CHIP R 22.1K J 1/10W	
R967,968		*	R92-3432-08	CHIP R 22.1K J 1/10W	
R969		*	R92-3442-08	CHIP R 47.5K J 1/10W	
R970			RK73HB1J683J	CHIP R 68K J 1/16W	
R971			RK73HB1J223J	CHIP R 22K J 1/16W	
R972		*	RK73HB1J000J	CHIP R 0.0 J 1/16W	
R975		*	RK73HB1J000J	CHIP R 0.0 J 1/16W	
R977		*	RK73HB1J000J	CHIP R 0.0 J 1/16W	
R980			RK73HB1J101J	CHIP R 100 J 1/16W	
RA551-556		*	R90-1536-08	CHIP R 22 J 1/32W	
RA558		*	R90-1536-08	CHIP R 22 J 1/32W	
RA711		*	R90-1540-08	CHIP R 22K J 1/32W	
RA712		*	R90-1539-08	CHIP R 2.2K J 1/32W	
RA713		*	R90-1540-08	CHIP R 22K J 1/32W	
RA714		*	R90-1539-08	CHIP R 2.2K J 1/32W	
RA715		*	R90-1540-08	CHIP R 22K J 1/32W	
RA716		*	R90-1539-08	CHIP R 2.2K J 1/32W	
RA717-721		*	R90-1540-08	CHIP R 22K J 1/32W	
RA751-754		*	R90-1537-08	CHIP R 82 J 1/32W	
RA755-770		*	R90-1535-08	CHIP R 18 J 1/32W	
RA771,772		*	R90-1538-08	CHIP R 150 J 1/32W	
RA908		*	R90-1538-08	CHIP R 150 J 1/32W	
RA951,952		*	R90-1538-08	CHIP R 150 J 1/32W	

Ref. No.	Add	New	Parts No.	Description	Destination
D101		*	30D4	DIODE	
D102		*	EP05DA40	DIODE	
D103			U5ZA27C(TE24L)	ZENER DIODE	
D104,105			RD16S	ZENER DIODE	
D106		*	RD16FM	ZENER DIODE	
D107			1SS352	DIODE	
D108			1SS357	DIODE	
D109-112			EC20QS06	DIODE	
D113,114			1SS357	DIODE	
D115			EC20QS06	DIODE	
D116			1SS357	DIODE	
D211		*	EP05DA40	DIODE	
D251		*	EP05DA40	DIODE	
D252			1SS352	DIODE	
D301			1SS352	DIODE	
D521			1SS352	DIODE	
D522		*	1SS362	DIODE	
D781			1SS352	DIODE	
IC101			TC75W56FU	IC	
IC102		*	S-80818ANNP	IC	
IC103,104			BA9743AFV	IC	
IC105			S-81233SGUP	IC	
IC106		*	MB89935B	IC	
IC107		*	UPC2409AHF	IC	
IC108			UPC2905T	IC (5V VOLTAGE REGULATOR)	
IC109			TC7SET08FU	IC (IC)	
IC111		*	TC7SH00FU	IC	
IC212		*	TAR5S30-TE85L	IC	
IC251			TD62604F	IC	
IC254			TC7WU04FU	IC (INVERTOR)	
IC255			TC7W53FU	IC (2-CHANNEL MULTIPLEXER)	
IC256			TC7SET08FU	IC (IC)	
IC301			TA75S01F	IC (OP AMP)	
IC306			TA75S01F	IC (OP AMP)	
IC309			TC7SET08FU	IC (IC)	
IC310			TA75S01F	IC (OP AMP)	
IC502			TC7SET08FU	IC (IC)	
IC521			-	Exchange is impossible	
IC522		*	L78-0885-08	IC	
IC523			TA75W393FU	IC	
IC524-526			TC7WU04FU	IC (INVERTOR)	
IC551		*	TC7SH00FU	IC	
IC561			TC7SH08FU	IC (2ch AND GATE)	
IC641			CXA2106R	IC	
IC642		*	TC7SH00FU	IC	
IC684		*	TC75S51FU	IC	
IC701			-	Exchange is impossible	
IC731		*	S-817A15ANB	IC	
IC732,733		*	TAR5S25	IC	
IC734		*	S-817A15ANB	IC	
IC751		*	TC7SB66FU	IC	
IC752-755			HY57V281620HC	IC	
IC781		*	M5M5V416BTP70H	IC	
IC782,783		*	TC7SH00FU	IC	
IC784		*	MBM29LV160BE90	IC	

K : KNA-DV3100 E1 : KNA-DV3200
 (K : North America E : Europe)

△ Indicates safety critical components.

