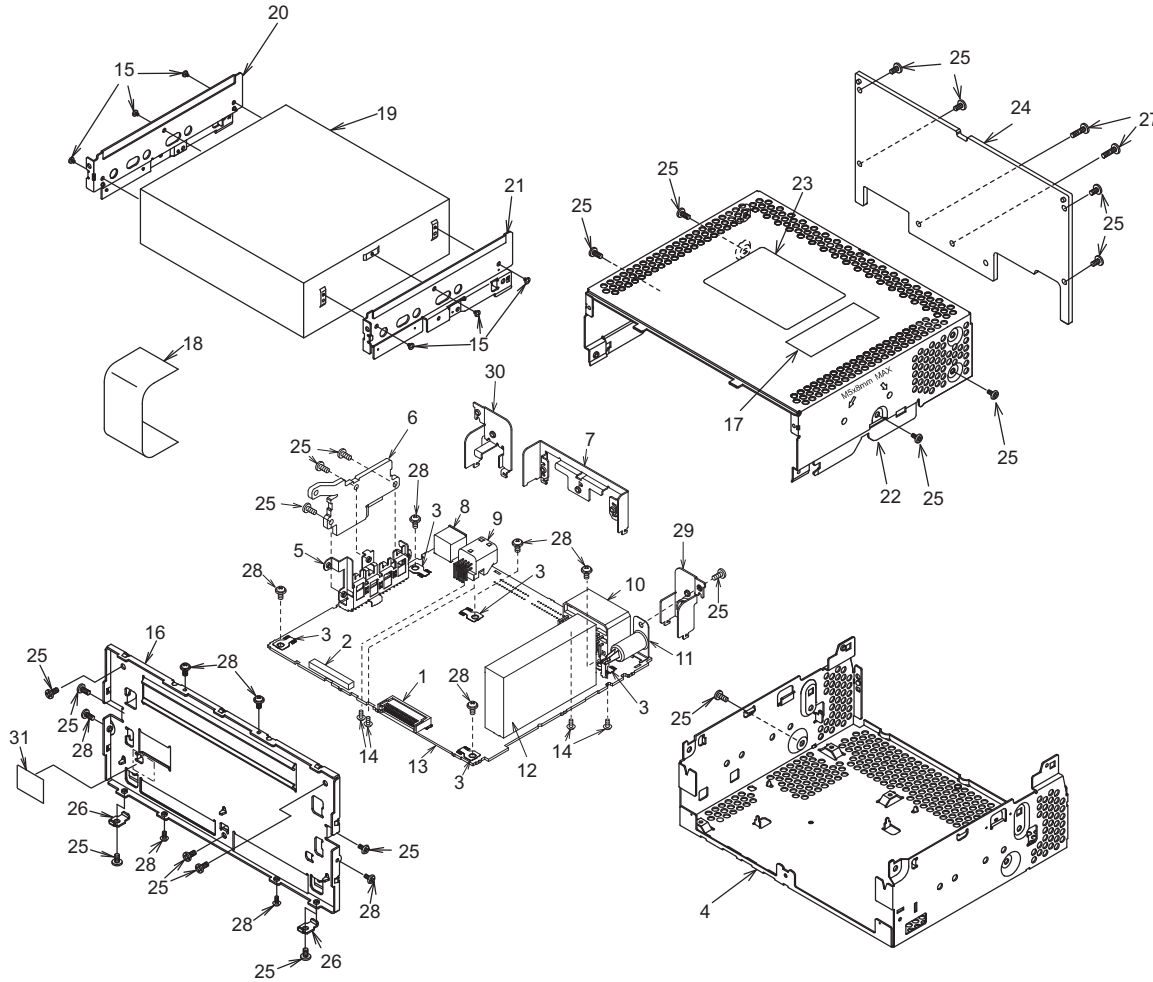


EXPLODED VIEW/PARTS LIST

Main section

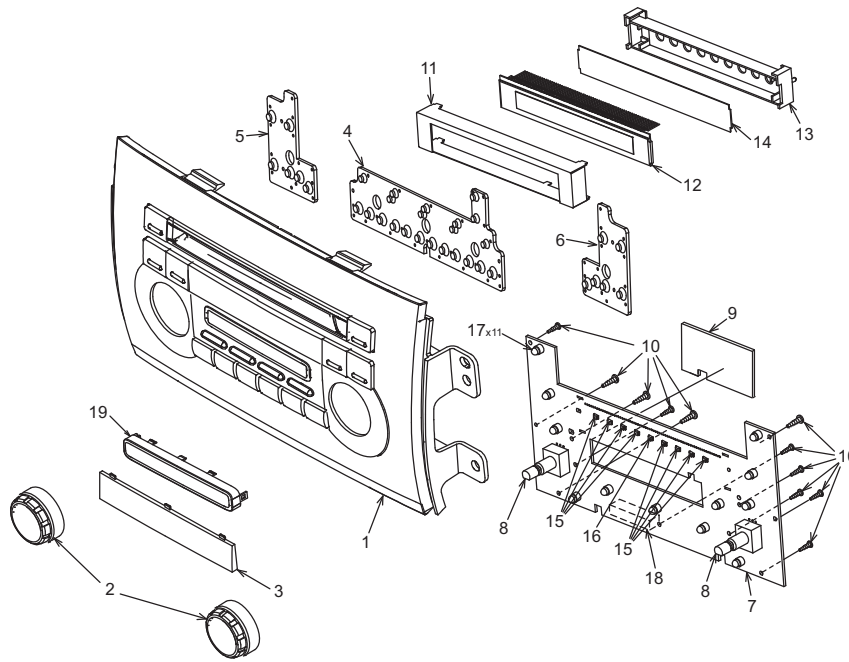


Clamping torque value of a screw is 0.4 +0.08/-0.08 Newton meter.

* The part number of SETPLATE is different in each model.

NO.	PART NO.	DESCRIPTION	Q'TY	NO.	PART NO.	DESCRIPTION	Q'TY
1	076-3011-74	PLUG(24P)	1	17	285-1960-00	GUIDE LABEL	1
2	074-1237-69	SOCKET (19P)	1	18	816-4055-50	FLAT WIRE	1
3	073-0762-90	TERMINAL	5	19	929-0420-80	CD-MECH-MODULE	1
4	311-1919-75	LOWER CASE	1	20	331-4091-10	CD BRKT(L)	1
5	331-4126-00	TR HOLDER	1	21	331-4092-10	CD BRKT(R)	1
6	313-1966-00	SUB HEAT SINK	1	22	310-1826-10	UPPER CASE	1
7	331-4548-00	IC HOLDER	1	23	276-0586-00 276-0586-01	SET PLATE (PS-3145K-A) SET PLATE (PS-3146K-A)	1
8	074-1194-00	SOCKET (13P Ce-NET)	1	24	313-1962-00	HEAT SINK	1
9	074-1302-08	SOCKET (8P)	1	25	714-2606-8B	MACHINE SCREW(M2.6x6)	20
10	074-4007-20	SOCKET (20P)	1	26	331-4193-20	SU-PLATE	2
11	092-0702-50	ANT-RECEPT	1	27	714-2610-89	MACHINE SCREW(M2.6x10)	2
12	941-0221-70	TUNER PACK	1	28	716-0878-50	IT SCREW(M2.6x5)	11
13	-----	Main PWB	1	29	331-4549-00	ANT HOLDER	1
14	778-3006-00	TAP-SCREW(3x6)	4	30	331-4547-00	SOCKET HOLDER	1
15	716-3552-00	IT SCREW(M2.3x2.5)	6	31	347-8651-00	PROTECTOR	1
16	309-0819-11	ES PLATE	1				

Escutcheon section



Clamping torque value of a screw is 0.2 +0.04/-0.04 Newton meter.

NO.	PART NO.	DESCRIPTION	Q'TY	NO.	PART NO.	DESCRIPTION	Q'TY
1	940-8120-67	ESCUTCHEON ASSY	1	11	331-4264-00	LCD COVER	1
2	947-0602-00	KNOB ASSY	2	12	379-1362-51	INDICATOR (LCD)	1
3	371-5854-00	DIAL COVER	1	13	335-7705-00	LCD HOLDER	1
4	345-5589-00	RUBBER SW (CENTER)	1	14	335-7929-00	COLOR FILTER	1
5	345-5590-00	RUBBER SW (LEFT)	1	15	001-7094-91	DIODE (VFR1112H RED)	8
6	345-5591-00	RUBBER SW (RIGHT)	1	16	001-7087-90	DIODE (RBR1112H RED)	1
7	-----	Switch PWB	1	17	017-0420-43	PL LAMP (14V 40mA RED)	11
8	016-0014-12	VR W/SHAFT	2	18	074-3011-74	SOCKET (24P)	1
9	345-6272-00	PROTECTOR	1	19	335-7356-20	MD COVER	1
10	716-0778-51	P-TITE SCREW (2x6)	11				

ELECTRICAL PARTS LIST

Main PWB section (B1)

REF No.	PART No.	DESCRIPTION	REF No.	PART No.	DESCRIPTION	REF No.	PART No.	DESCRIPTION
ANT101	092-0702-50	ANT-RECEPT	C128	166-1011-50	100pF CH	C312	188-2253-68	50V 2.2uF
BL101	941-0221-70	AM/FM TUNER	C129	166-1011-50	100pF CH	C313	188-2253-68	50V 2.2uF
C102	168-2232-55	0.022uF K	C130	168-2232-55	0.022uF K	C314	188-2253-68	50V 2.2uF
C103	168-2232-55	0.022uF K	C131	188-4763-38	16V 47uF	C318	168-1522-55	1500pF K
C104	188-1073-28	10V 100uF	C133	168-1042-78	16V 0.1uF	C319	168-1522-55	1500pF K
C105	168-1042-78	16V 0.1uF	C160	168-1042-78	16V 0.1uF	C334	166-4711-50	470pF CH
C106	168-1042-78	16V 0.1uF	C212	188-4763-38	16V 47uF	C335	166-4711-50	470pF CH
C107	188-1073-28	10V 100uF	C222	168-1042-78	16V 0.1uF	C346	188-1073-28	10V 100uF
C108	168-1042-78	16V 0.1uF	C241	168-2232-55	0.022uF K	C352	168-1042-78	16V 0.1uF
C109	168-2232-55	0.022uF K	C243	188-4763-38	16V 47uF	C353	042-1562-65	10V 220uF
C111	168-3332-78	0.033uF K	C244	168-1042-78	16V 0.1uF	C354	166-2201-50	22pF CH
C112	168-4745-79	0.47uF Z	C245	168-1042-78	16V 0.1uF	C355	166-2201-50	22pF CH
C113	168-8232-78	0.082uF K	C274	189-2273-29	10V 220uF	C356	166-1007-50	10pF CH
C114	168-8232-78	0.082uF K	C276	043-0328-90	0.1uF	C357	166-1007-50	10pF CH
C121	166-1801-50	18pF CH	C301	178-1052-78	1uF	C358	188-1063-38	16V 10uF
C122	188-4763-38	16V 47uF	C302	178-1052-78	1uF	C359	188-1063-38	16V 10uF
C123	168-1022-55	1000pF K	C305	178-1052-78	1uF	C360	188-1063-38	16V 10uF
C124	042-1458-90	50V 1uF LN	C306	178-1052-78	1uF	C361	188-1063-38	16V 10uF
C125	166-1501-50	15pF CH	C309	168-1832-55	0.018uF K	C391	168-1042-78	16V 0.1uF
C126	166-1011-50	100pF CH	C310	168-1832-55	0.018uF K	C392	168-1042-78	16V 0.1uF
C127	166-1011-50	100pF CH	C311	188-2253-68	50V 2.2uF	C393	168-1042-78	16V 0.1uF

Note) Several different parts of the same reference number are alternative parts.
One of those parts is used in the set.

REF No.	PART No.	DESCRIPTION	REF No.	PART No.	DESCRIPTION	REF No.	PART No.	DESCRIPTION
C394	168-1042-78	16V 0.1uF	D772	001-0347-30	MA4051H	Q711	190-2071-00	ZSA2071 T100
C395	168-1032-55	0.01uF K	D801	001-0592-00	RM4Z	Q712	192-4116-51	2SC4116 G,L
C396	163-1053-65	50V 1uF	D851	001-4301-68	HZU18B1	Q712	192-4155-51	2SC4155A S,T
C397	042-1624-00	16V 4700uF	IC121	051-6212-18	LC72191JM-UC	Q712	193-1819-50	2SD1819AR,ST
C398	163-1063-35	16V 10uF	IC241	051-3367-90	NJU7780U1-33-TE2	Q761	192-5810-00	2SC5810 TE12L
C399	163-1053-65	50V 1uF	IC272	051-3334-00	NJM2396F09	Q762	125-0021-91	DTA114EUA
C400	166-2201-50	22pF CH	IC351	051-3034-90	NJM4558V	Q762	125-0025-92	RN2302
C401	166-3911-50	390pF CH	IC391	051-2040-00	TA8276H	Q762	125-0034-92	RT1P141M
C402	043-0570-90	16V 2.2uF K	IC401	051-5046-90	CL7639V20	Q763	125-2027-91	DTC114EUA
C403	168-5632-78	16V 0.056uF	IC501	052-3220-31	M30622MGP-E71GP	Q763	125-0025-92	RN2302
C404	043-0570-90	16V 2.2uF K	IC502	051-0869-58	NJM2103M	Q763	125-0034-92	RT1P141M
C405	188-1063-38	16V 10uF	IC503	051-9402-68	BR93L56F-W	Q771	192-5886-00	2SC5886
C406	188-1073-28	10V 100uF	IC504	051-6600-58	HA12187FP	Q773	192-4116-51	2SC4116 G,L
C407	168-1042-78	16V 0.1uF	IC741	051-3369-00	NJM2388F84	Q773	192-4155-51	2SC4155A S,T
C408	166-3911-50	390pF CH	J241	074-1237-69	19PIN	Q773	193-1819-50	2SD1819AR,ST
C409	043-0570-90	16V 2.2uF K	J701	074-1194-00	13P CE-NET	Q775	192-4116-51	2SC4116 G,L
C410	168-5632-78	16V 0.056uF	J721	074-1302-08	TH8P-SOCKET	Q775	192-4155-51	2SC4155A S,T
C411	043-0570-90	16V 2.2uF K	J801	074-4007-20	20P	Q775	193-1819-50	2SD1819AR,ST
C412	168-1042-78	16V 0.1uF	L101	010-2003-04	30uH	Q776	125-0021-91	DTA114EUA
C417	178-4742-78	0.47uF	L102	010-6009-76	22uH J	Q776	125-0025-92	RN2302
C418	168-4722-55	4700pF K	L103	010-6009-76	22uH J	Q776	125-0034-92	RT1P141M
C419	178-4742-78	0.47uF	L121	010-6009-76	22uH J	Q777	125-2027-91	DTC114EUA
C420	168-4722-55	4700pF K	L501	010-6009-76	22uH J	Q777	125-0025-92	RN2302
C421	178-4742-78	0.47uF	L502	010-6009-76	22uH J	Q777	125-0034-92	RT1P141M
C422	168-4722-55	4700pF K	L801	010-8026-00	210uH	Q821	190-2071-00	ZSA2071 T100
C423	178-4742-78	0.47uF	P501	076-3011-74	24P	Q822	192-4116-51	2SC4116 G,L
C424	168-4722-55	4700pF K	Q121	191-1197-50	2SB1197K Q,R	Q822	192-4155-51	2SC4155A S,T
C501	168-1042-78	16V 0.1uF	Q122	191-1197-50	2SB1197K Q,R	Q822	193-1819-50	2SD1819AR,ST
C502	188-4763-18	6.3V 47uF	Q123	191-1197-50	2SB1197K Q,R	R101	119-0000-05	1/10W 0 ohm JW
C503	168-1032-55	0.01uF K	Q124	192-4116-51	2SC4116 G,L	R102	119-0000-05	1/10W 0 ohm JW
C504	168-1032-55	0.01uF K	Q124	192-4155-51	2SC4155A S,T	R103	119-1041-15	1/10W 100k ohm
C505	168-1032-55	0.01uF K	Q124	193-1819-50	2SD1819AR,ST	R104	119-2221-15	1/10W 2.2k ohm
C506	168-1042-78	16V 0.1uF	Q125	192-4116-51	2SC4116 G,L	R105	119-5611-15	1/10W 560 ohm
C507	188-1053-68	50V 1uF	Q125	192-4155-51	2SC4155A S,T	R106	119-2221-15	1/10W 2.2k ohm
C509	168-1022-55	1000pF K	Q125	193-1819-50	2SD1819AR,ST	R107	116-1001-15	1/4W 10 ohm
C510	168-1022-55	1000pF K	Q241	125-0021-91	DTA114EUA	R108	119-2231-15	1/10W 22k ohm
C511	168-1042-78	16V 0.1uF	Q241	125-0025-92	RN2302	R109	119-5121-15	1/10W 5.1k ohm
C512	168-1032-55	0.01uF K	Q241	125-0034-92	RT1P141M	R111	166-8201-50	82pF CH
C513	189-1073-29	10V 100uF	Q242	125-2027-91	DTC114EUA	R122	119-3321-15	1/10W 3.3k ohm
C514	168-1042-78	16V 0.1uF	Q242	125-2032-92	RN1302	R123	119-4721-15	1/10W 4.7k ohm
C515	166-1011-50	100pF CH	Q242	125-2041-92	RT1N141M	R124	119-2221-15	1/10W 2.2k ohm
C516	188-1063-38	16V 10uF	Q243	193-0601-00	2SD601A	R125	119-1021-15	1/10W 1k ohm
C517	042-0559-00	5.5V 0.1uF	Q244	192-4116-51	2SC4116 G,L	R127	119-5631-15	1/10W 56k ohm
C722	168-1042-78	16V 0.1uF	Q244	192-4155-51	2SC4155A S,T	R128	119-4731-15	1/10W 47k ohm
C731	172-1041-15	0.1uF	Q244	193-1819-50	2SD1819AR,ST	R130	119-2221-15	1/10W 2.2k ohm
C732	188-1053-68	50V 1uF	Q245	125-2027-91	DTC114EUA	R131	119-1031-15	1/10W 10k ohm
C741	043-0328-90	0.1uF	Q245	125-0025-92	RN2302	R132	119-1031-15	1/10W 10k ohm
C744	188-1073-28	10V 100uF	Q245	125-0034-92	RT1P141M	R133	119-2221-15	1/10W 2.2k ohm
C761	188-1063-38	16V 10uF	Q246	125-0021-91	DTA114EUA	R134	119-2221-15	1/10W 2.2k ohm
C762	188-1063-38	16V 10uF	Q246	125-0025-92	RN2302	R135	119-1031-15	1/10W 10k ohm
C771	188-1073-28	10V 100uF	Q246	125-0034-92	RT1P141M	R242	119-4731-15	1/10W 47k ohm
C772	188-1063-38	16V 10uF	Q247	125-2027-91	DTC114EUA	R243	119-1021-15	1/10W 1k ohm
C811	172-1041-15	0.1uF	Q247	125-0025-92	RN2302	R245	119-3331-15	1/10W 33k ohm
C821	188-1063-38	16V 10uF	Q247	125-0034-92	RT1P141M	R246	119-4731-15	1/10W 47k ohm
CCT501	050-0140-54	1/32W 1k ohm x4J	Q248	198-3018-00	2SK3018	R248	119-1041-15	1/10W 100k ohm
CCT504	050-0140-54	1/32W 1k ohm x4J	Q249	198-3018-00	2SK3018	R250	119-3331-15	1/10W 33k ohm
CCT505	050-0140-54	1/32W 1k ohm x4J	Q391	125-2027-93	DTC144EUA	R253	119-4731-15	1/10W 47k ohm
D391	001-0580-90	1SS352	Q502	190-2071-00	ZSA2071 T100	R255	119-3331-15	1/10W 33k ohm
D505	001-0580-90	1SS352	Q503	192-4116-51	2SC4116 G,L	R256	119-0000-05	1/10W 0 ohm JW
D506	001-2403-90	M1F60	Q503	192-4155-51	2SC4155A S,T	R258	119-4731-15	1/10W 47k ohm
D507	001-4301-25	HZU4.7B1	Q503	193-1819-50	2SD1819AR,ST	R271	119-4731-15	1/10W 47k ohm
D508	001-0466-90	S5688B	Q504	192-4116-51	2SC4116 G,L	R276	119-0000-05	1/10W 0 ohm JW
D509	001-0504-36	HZS7 A1L	Q504	192-4155-51	2SC4155A S,T	R301	119-1021-15	1/10W 1k ohm
D701	001-0424-31	MA4180	Q504	193-1819-50	2SD1819AR,ST	R302	119-1021-15	1/10W 1k ohm
D702	001-0424-31	MA4180	Q505	192-4116-51	2SC4116 G,L	R305	119-1021-15	1/10W 1k ohm
D703	001-0424-31	MA4180	Q505	192-4155-51	2SC4155A S,T	R306	119-1021-15	1/10W 1k ohm
D711	001-0466-90	S5688B	Q505	193-1819-50	2SD1819AR,ST	R309	119-1021-15	1/10W 1k ohm
D712	001-0466-90	S5688B	Q506	193-2118-50	2SD2118F5 R,S	R310	119-1021-15	1/10W 1k ohm
D731	001-0466-90	S5688B	Q701	192-4116-51	2SC4116 G,L	R311	119-5631-15	1/10W 56k ohm
D761	001-0504-39	HZS7 B2L	Q701	192-4155-51	2SC4155A S,T	R312	119-5631-15	1/10W 56k ohm
D771	001-0347-43	MA4082L	Q701	193-1819-50	2SD1819AR,ST	R313	119-5631-15	1/10W 56k ohm

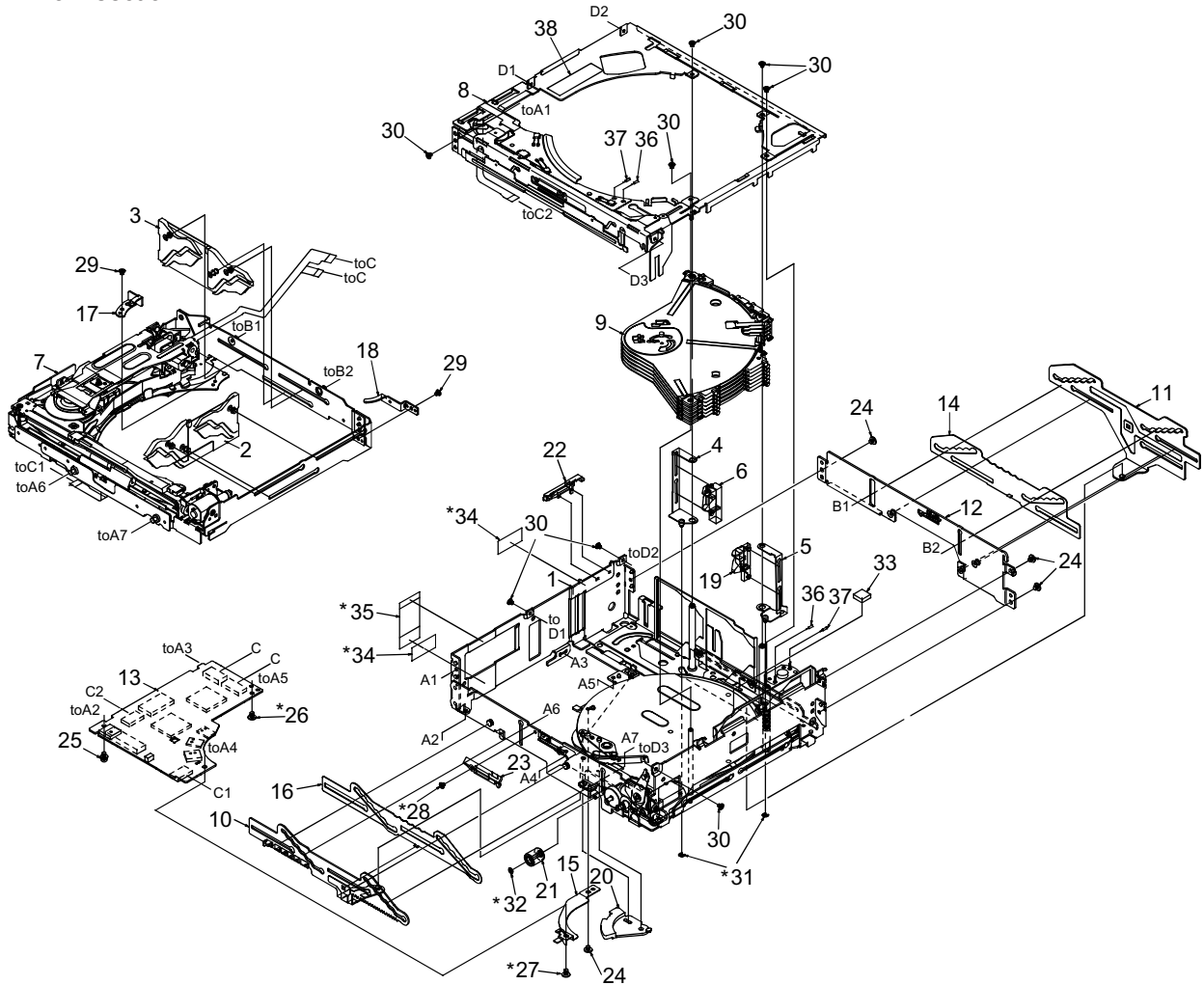
REF No.	PART No.	DESCRIPTION	REF No.	PART No.	DESCRIPTION	REF No.	PART No.	DESCRIPTION
R314	119-5631-15	1/10W 56k ohm	R530	119-1041-15	1/10W 100k ohm	R715	119-3321-15	1/10W 3.3k ohm
R323	119-0000-05	1/10W 0 ohm JW	R531	119-1031-15	1/10W 10k ohm	R726	119-1021-15	1/10W 1k ohm
R324	119-0000-05	1/10W 0 ohm JW	R532	119-4721-15	1/10W 4.7k ohm	R731	116-5621-15	1/4W 5.6k ohm
R325	119-0000-05	1/10W 0 ohm JW	R533	119-4721-15	1/10W 4.7k ohm	R732	116-4721-15	1/4W 4.7k ohm
R326	119-0000-05	1/10W 0 ohm JW	R534	119-1021-15	1/10W 1k ohm	R761	032-0092-56	1/8W 22k ohm F
R351	119-8211-15	1/10W 820 ohm	R535	119-1031-15	1/10W 10k ohm	R762	032-0092-31	1/8W 150k ohm F
R352	119-1021-15	1/10W 1k ohm	R536	119-2221-15	1/10W 2.2k ohm	R763	032-0092-51	1/8W 1k ohm F
R353	032-0140-50	1/10W 10k ohm F	R537	119-1031-15	1/10W 10k ohm	R764	119-1221-15	1/10W 1.2k ohm
R354	032-0140-50	1/10W 10k ohm F	R538	119-1031-15	1/10W 10k ohm	R771	119-0000-05	1/10W 0 ohm JW
R355	032-0140-50	1/10W 10k ohm F	R539	119-1031-15	1/10W 10k ohm	R772	119-2231-15	1/10W 22k ohm
R356	032-0140-50	1/10W 10k ohm F	R540	119-4731-15	1/10W 47k ohm	R773	116-1021-15	1/4W 1k ohm
R357	032-0140-50	1/10W 10k ohm F	R541	119-5621-15	1/10W 5.6k ohm	R774	119-2231-15	1/10W 22k ohm
R358	032-0140-50	1/10W 10k ohm F	R542	119-2231-15	1/10W 22k ohm	R779	116-1821-15	1/4W 1.8k ohm
R359	032-0140-50	1/10W 10k ohm F	R544	119-4731-15	1/10W 47k ohm	R780	117-1821-15	1/8W 1.8k ohm
R360	032-0140-50	1/10W 10k ohm F	R545	119-6831-15	1/10W 68k ohm	R781	119-0000-05	1/10W 0 ohm JW
R391	119-5631-15	1/10W 56k ohm	R546	119-1021-15	1/10W 1k ohm	R793	119-0000-05	1/10W 0 ohm JW
R392	119-1221-15	1/10W 1.2k ohm	R547	119-1021-15	1/10W 1k ohm	R801	119-0000-05	1/10W 0 ohm JW
R393	119-2221-15	1/10W 2.2k ohm	R548	119-1031-15	1/10W 10k ohm	R802	119-0000-05	1/10W 0 ohm JW
R394	119-2221-15	1/10W 2.2k ohm	R549	119-3341-15	1/10W 330k ohm	R821	116-1031-15	1/4W 10k ohm
R395	119-2221-15	1/10W 2.2k ohm	R550	032-0140-22	1/10W 68k ohm F	R822	119-3321-15	1/10W 3.3k ohm
R396	119-2221-15	1/10W 2.2k ohm	R551	032-0140-00	1/10W 56k ohm F	R823	119-1031-15	1/10W 10k ohm
R397	119-1031-15	1/10W 10k ohm	R552	117-6821-15	1/8W 6.8k ohm	R824	116-2221-15	1/4W 2.2k ohm
R400	119-1031-15	1/10W 10k ohm	R553	119-4731-15	1/10W 47k ohm	R825	116-2221-15	1/4W 2.2k ohm
R401	119-2231-15	1/10W 22k ohm	R554	119-4731-15	1/10W 47k ohm	R826	119-8221-15	1/10W 8.2k ohm
R402	119-2021-15	1/10W 2k ohm	R555	119-5621-15	1/10W 5.6k ohm	R901	119-0000-05	1/10W 0 ohm JW
R403	119-2231-15	1/10W 22k ohm	R556	119-1021-15	1/10W 1k ohm	R902	119-0000-05	1/10W 0 ohm JW
R404	119-2021-15	1/10W 2k ohm	R557	119-4731-15	1/10W 47k ohm			(PS-3145K-A)
R405	119-0000-05	1/10W 0 ohm JW	R558	119-1031-15	1/10W 10k ohm	R906		(PS-3146K-A)
R502	119-4721-15	1/10W 4.7k ohm	R568	119-4731-15	1/10W 47k ohm	R906	119-0000-05	1/10W 0 ohm JW
R503	119-4721-15	1/10W 4.7k ohm	R569	119-4731-15	1/10W 47k ohm			(PS-3146K-A)
R504	119-4721-15	1/10W 4.7k ohm	R572	119-4731-15	1/10W 47k ohm	SUP101	060-0122-20	DSP-141N-S00B
R510	119-4721-15	1/10W 4.7k ohm	R573	-----	(PS-3145K-A)	TH711	002-0318-21	THERMISTOR
R511	119-4721-15	1/10W 4.7k ohm	R573	119-4731-15	1/10W 47k ohm	TM101	073-0762-90	TERMINAL
R512	119-4721-15	1/10W 4.7k ohm			(PS-3146K-A)	TM501	073-0762-90	TERMINAL
R513	119-4721-15	1/10W 4.7k ohm	R574	119-4731-15	1/10W 47k ohm	TM502	073-0762-90	TERMINAL
R514	119-1021-15	1/10W 1k ohm			(PS-3145K-A)	TM801	073-0762-90	TERMINAL
R515	119-1041-15	1/10W 100k ohm	R574	-----	(PS-3146K-A)	TM802	073-0762-90	TERMINAL
R516	119-1041-15	1/10W 100k ohm	R701	116-1211-15	1/4W 120 ohm	X121	061-1066-00	7.2MHz
R517	116-1001-15	1/4W 10 ohm	R702	116-6801-15	1/4W 68 ohm	X501	060-1533-90	CSTCE10M0G52-RO
R520	119-4731-15	1/10W 47k ohm	R703	119-2231-15	1/10W 22k ohm	PWB	039-3295-00	PWB(WITHOUT COMPONENT)
R521	119-4731-15	1/10W 47k ohm	R704	119-2231-15	1/10W 22k ohm			
R522	119-4731-15	1/10W 47k ohm	R711	116-2221-15	1/4W 2.2k ohm			
R527	119-4721-15	1/10W 4.7k ohm	R712	117-1031-15	1/8W 10k ohm			
R528	032-0140-66	1/10W 220 ohm F	R713	116-2221-15	1/4W 2.2k ohm			
R529	119-1031-15	1/10W 10k ohm	R714	119-1031-15	1/10W 10k ohm			

Switch PWB section (B2)

REF No.	PART No.	DESCRIPTION	REF No.	PART No.	DESCRIPTION	REF No.	PART No.	DESCRIPTION
C100	168-1042-78	16V 0.1uF	PL100	017-0420-43	14V 40mA RED	R113	119-8211-15	1/10W 820 ohm
C101	168-1042-78	16V 0.1uF	PL101	017-0420-43	14V 40mA RED	R114	119-7511-15	1/10W 750 ohm
C102	168-1042-78	16V 0.1uF	PL102	017-0420-43	14V 40mA RED	R116	119-0000-05	1/10W 0 ohm JW
C103	168-1042-78	16V 0.1uF	PL104	017-0420-43	14V 40mA RED	R117	119-0000-05	1/10W 0 ohm JW
C104	168-1042-78	16V 0.1uF	PL105	017-0420-43	14V 40mA RED	R121	119-4341-15	1/10W 430k ohm
C105	178-1052-78	1uF	PL106	017-0420-43	14V 40mA RED	R122	119-0000-05	1/10W 0 ohm JW
D100	001-7094-91	VFR1112H-TR	PL107	017-0420-43	14V 40mA RED	R123	119-0000-05	1/10W 0 ohm JW
D101	001-7094-91	VFR1112H-TR	PL108	017-0420-43	14V 40mA RED	R125	119-0000-05	1/10W 0 ohm JW
D102	001-7094-91	VFR1112H-TR	PL109	017-0420-43	14V 40mA RED	R126	119-0000-05	1/10W 0 ohm JW
D103	001-7094-91	VFR1112H-TR	PL110	017-0420-43	14V 40mA RED	R128	119-1021-15	1/10W 1k ohm
D104	001-7087-90	RBR1112H C,D,E RED	PL111	017-0420-43	14V 40mA RED	R129	119-1021-15	1/10W 1k ohm
D105	001-7094-91	VFR1112H-TR	R100	119-5611-15	1/10W 560 ohm	R131	119-0000-05	1/10W 0 ohm JW
D106	001-7094-91	VFR1112H-TR	R101	119-4711-15	1/10W 470 ohm	R132	119-0000-05	1/10W 0 ohm JW
D107	001-7094-91	VFR1112H-TR	R102	119-4711-15	1/10W 470 ohm	R140	119-0000-05	1/10W 0 ohm JW
D108	001-7094-91	VFR1112H-TR	R103	119-5611-15	1/10W 560 ohm	R200	119-1841-15	1/10W 180k ohm
D113	001-0580-90	1SS352	R104	119-4711-15	1/10W 470 ohm	R201	119-1841-15	1/10W 180k ohm
D114	001-0580-90	1SS352	R105	119-4711-15	1/10W 470 ohm	R202	119-1841-15	1/10W 180k ohm
D115	001-0580-90	1SS352	R106	119-5611-15	1/10W 560 ohm	R203	119-1841-15	1/10W 180k ohm
D116	001-0580-90	1SS352	R107	119-4711-15	1/10W 470 ohm	TH100	002-0306-90	SC20-3J153
IC100	051-6084-00	NJU6625FG1-03	R108	119-4711-15	1/10W 470 ohm	TM100	073-0778-90	TERMINAL
J100	074-3013-74	24P	R109	119-5611-15	1/10W 560 ohm	VR100	016-0014-12	VR W/SHAFT
L100	010-3406-66	22uH J	R110	119-4711-15	1/10W 470 ohm	VR101	016-0014-12	VR W/SHAFT
LCD100	379-1362-51	INDICATOR (LCD)	R111	119-4711-15	1/10W 470 ohm	PWB	039-3290-00	PWB(WITHOUT COMPONENT)
			R112	119-8211-15	1/10W 820 ohm			

EXPLODED VIEW/PARTS LIST

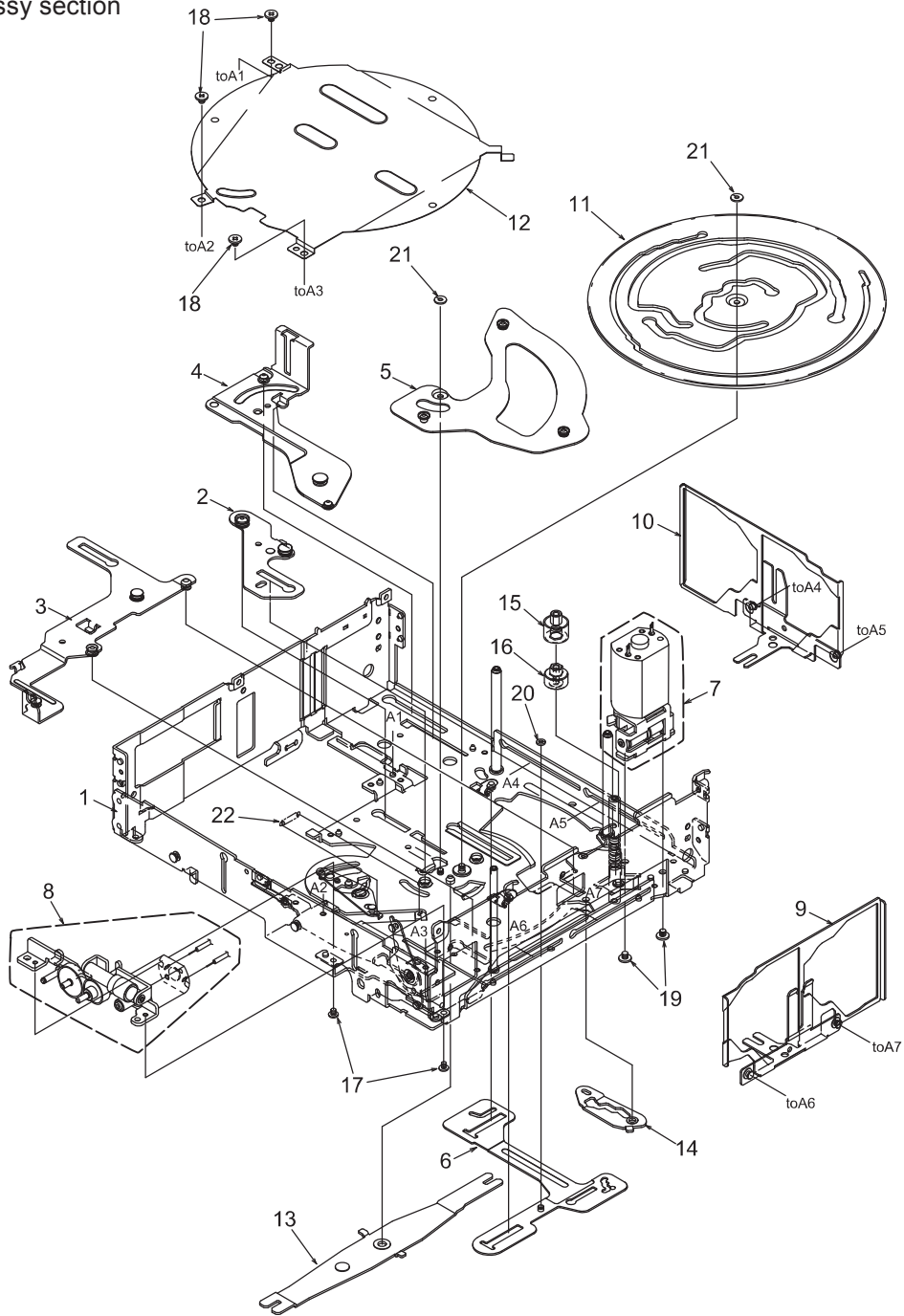
Main section



* Do not reuse the following parts.
(No.26,27,28,31,32,34,35)

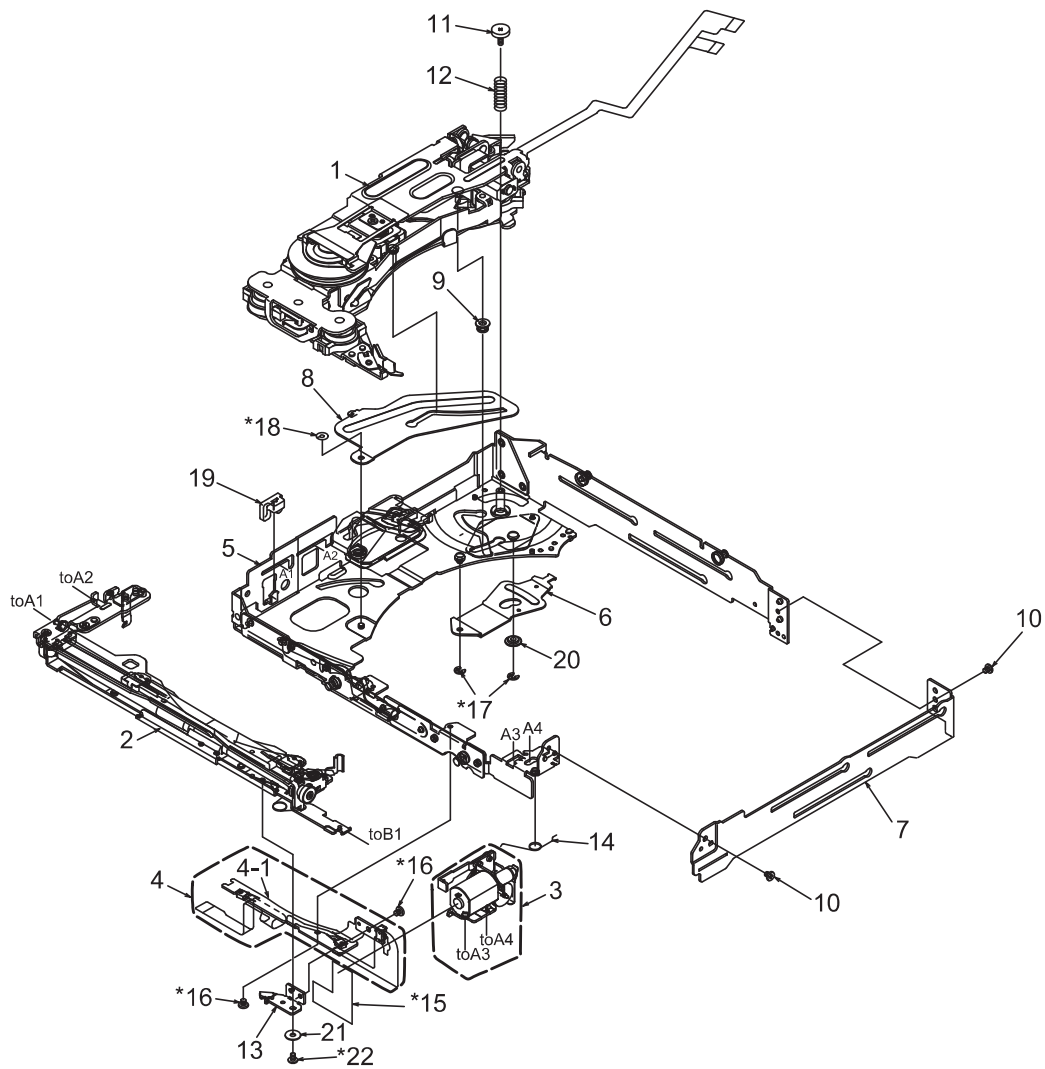
NO.	PART NO.	DESCRIPTION	Q'TY	NO.	PART NO.	DESCRIPTION	Q'TY
1	-----	LOWER UNIT ASSY	1	20	621-1812-20	SW LINK	1
2	HBS-617-100	KUSABI-ASSY-S	1	21	621-1765-20	UD-GEAR-D	1
3	HBS-618-100	KUSABI-ASSY-R	1	22	621-1715-20	FPC-STOPPER	1
4	966-1846-20	DS-SP-ASSY L	1	23	621-1736-20	UD-GEAR-B	1
5	966-1847-21	DS-SP ASSY R	1	24	716-1850-01	SCREW(M2.0x2)	4
6	966-0667-21	DISC STP-ASSY L	1	25	716-3598-00	SCREW(M2.0x4)	1
7	966-1844-21	DRIVE-CH UNIT	1	26	716-3599-00	SCREW(M2.0x2 sealock)	1
8	966-1840-22	UPPER UNIT ASSY	1	27	716-3600-00	SCREW(M2.0x3 sealock)	1
9	HBS-602-100	DISCHOLDER UNIT	1	28	716-3601-00	SCREW(M1.7x2 sealock)	1
10	966-1771-21	SLIDE-P-ASSY	1	29	716-3450-00	SCREW(M1.7x2.0)	2
11	966-1814-21	SLIDE-P-ASSY-R	1	30	716-3451-01	SCREW(M1.7x2.5)	8
12	966-1874-20	REAR-P-ASSY R	1	31	744-0045-01	C-RING	2
13	HBS-631-100	CD PWB ASSY	1	32	746-0761-00	WASHER	1
14	620-1662-21	GAP PLATE R	1	33	345-5824-00	RUBBER PART	1
15	620-1640-20	SW-H-PLATE	1	34	347-8230-00	PROTECT SHEET	2
16	620-1778-21	GAP PLATE F	1	35	347-8219-00	FPC-SHEET N	1
17	620-1685-21	DS-PLATE L	1	36	800-4921-60	VINYL-COAT-WIRE	1
18	620-1686-20	DS-PLATE R	1	37	802-4921-60	VINYL-COAT-WIRE	1
19	621-1815-20	DISC STOPPER R	1	38	293-8575-00	MECH LABEL	1

Lower unit assy section



NO.	PART NO.	DESCRIPTION	Q'TY	NO.	PART NO.	DESCRIPTION	Q'TY
1	966-1834-24	LOWER-C-ASSY	1	12	620-1624-24	GEAR COVER	1
2	966-0658-22	DH-SP-ASSY	1	13	620-1848-21	UD LINK	1
3	966-1836-20	TATSU-P-ASSY	1	14	620-1847-91	DS-SHIFT LINK	1
4	966-1832-20	D-SHT PL-B-ASSY	1	15	621-1811-21	M-GEAR B	1
5	966-0659-22	DH-SP-ASSY B	1	16	621-0733-20	M-GEAR C	1
6	966-1835-92	DS-SP-ASSY	1	17	716-3451-01	SCREW(M1.7x2.5)	2
7	HBS-622-100	M-MTR SUB ASSY	1	18	716-1850-01	SCREW(M2.0x2.0)	3
8	HBS-616-100	UD-MOTOR-ASSY	1	19	716-1851-03	SCREW(M2.0x3.0)	2
9	966-1872-20	INITIAL ASSY S	1	20	746-0870-00	WASHER	1
10	966-1873-20	INITIAL ASSY R	1	21	746-0768-00	WASHER	2
11	620-1623-24	CAM GEAR	1	22	750-6756-21	SW-L-SPRING	1

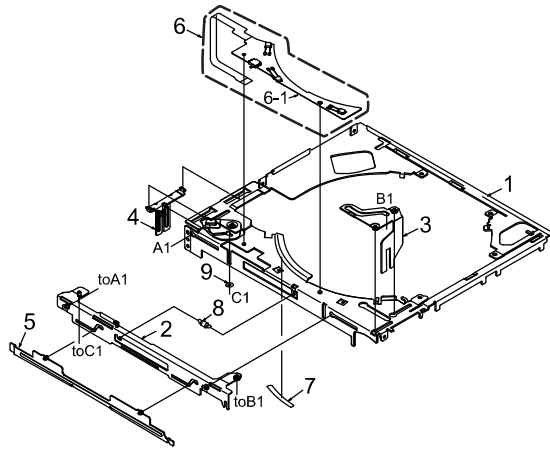
Drive-CH unit section



* Do not reuse the following parts.
(No.15,16,17,18,22)

NO.	PART NO.	DESCRIPTION	Q'TY	NO.	PART NO.	DESCRIPTION	Q'TY
1	HBS-620-100	DRIVE UNIT	1	12	750-6852-20	DRIVE SPRING A	1
2	HBS-612-100	LOADING-U-ASSY	1	13	620-1831-21	S-PWB PLATE	1
3	HBS-615-100	LO-MOTOR-S-ASSY	1	14	750-6754-20	LO-ES-SPRING B	1
4	HBS-614-100	L-SEN-FPC-ASSY	1	15	345-5424-01	SEN-FPC GUIDE	1
4-1	-----	SENSOR-L-FPC	1	16	716-3601-00	SCREW(M1.7x2 sealock)	2
5	966-1828-22	DRIVE-CH A-ASSY	1	17	743-1500-1B	E-RING	2
6	620-1838-21	D-SHIFT LINK A	1	18	746-0870-00	WASHER	1
7	620-1837-20	DRIVE CHASSIS B	1	19	621-1807-00	RUBBER PART	1
8	620-1836-20	DR-SUPPORT-PL	1	20	622-1850-20	D-SHIFT ROLLERE	1
9	622-1743-21	D-SHIFT ROLLERB	1	21	347-8392-00	FPC WASHER	1
10	716-3450-00	SCREW(M1.7x2)	2	22	716-3451-02	SCREW(M1.7x2.5 sealock)	1
11	716-3603-00	SCREW(M1.7x5)	1				

Upper unit assy section



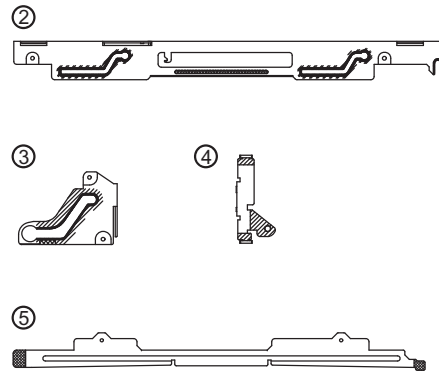
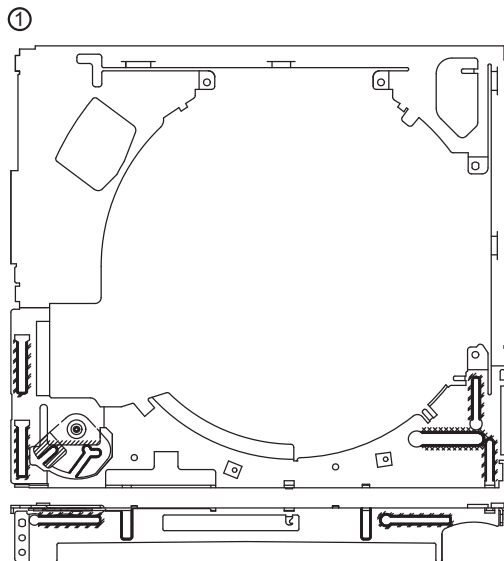
* Do not reuse the following parts.
(No.6,7,9)

NO.	PART NO.	DESCRIPTION	QTY
1	966-1823-21	UPPER-CHA-ASSY	1
2	966-1824-20	LO-SHIFT A ASSY	1
3	966-1791-20	LO-SHIFT B ASSY	1
4	966-1825-20	LO-SHIFT C ASSY	1
5	966-1826-20	SHUTTER ASSY	1
6	HBS-613-100	U-SEN-FPC-ASSY	1
6-1	-----	SENSOR-U-FPC	1
7	347-8216-00	RATTLE SHEET	1
8	750-6850-20	SHUTTER SPRING	1
9	746-0870-00	WASHER	1

[Grease Point]

* Grease : SANKOL FG-87HSR

	Put grease on the surface	
	Put grease on the reverse side	
	Put grease on the both sides	
	Put grease on the edge	



ELECTRICAL PARTS LIST

CD PWB(BM1) section

REF No.	PART No.	DESCRIPTION	REF No.	PART No.	DESCRIPTION	REF No.	PART No.	DESCRIPTION
C1	168-1052-78	16V 1uF	C13	168-1052-78	16V 1uF	C22	168-1052-78	16V 1uF
C3	168-1042-78	16V 0.1uF	C14	168-1042-78	16V 0.1uF	C25	168-4732-78	0.047uF K
C4	043-0559-90	6.3V 22uF	C15	168-1052-78	16V 1uF	C26	166-4711-50	470pF CH
C5	168-1032-55	0.01uF K	C16	043-0559-90	6.3V 22uF	C27	168-1052-78	16V 1uF
C6	042-1702-90	6.3V 100uF	C17	168-1032-55	0.01uF K	C28	168-4732-78	0.047uF K
C7	168-1052-78	16V 1uF	C18	168-1052-78	16V 1uF	C29	166-4711-50	470pF CH
C9	168-1052-78	16V 1uF	C19	043-0559-90	6.3V 22uF	C30	166-1007-50	10pF CH
C11	168-1052-78	16V 1uF	C20	168-1042-78	16V 0.1uF	C31	166-1007-50	10pF CH
C12	042-0671-01	10V 47uF TA	C21	168-1032-55	0.01uF K	C32	168-1042-78	16V 0.1uF

Note) Several different parts of the same reference number are alternative parts.
One of those parts is used in the set.

REF No.	PART No.	DESCRIPTION	REF No.	PART No.	DESCRIPTION	REF No.	PART No.	DESCRIPTION
C33	168-2222-55	2200pF K	IC3	051-6733-00	TC94A73MFG-201	R30	119-4701-15	1/10W 47 ohm
C34	168-1042-78	16V 0.1uF	IC4	051-6060-08	BD7961FM-E2	R31	119-2201-15	1/10W 22 ohm
C35	168-1042-78	16V 0.1uF	IC5	051-5452-90	BD5235G	R32	119-1051-15	1/10W 1M ohm
C36	168-1042-78	16V 0.1uF	IC8	051-9402-78	BR93L56RFVM-W	R33	119-2211-15	1/10W 220 ohm
C37	168-6822-55	6800pF K	IC9	051-6072-08	BD7931FE2	R34	119-4731-15	1/10W 47k ohm
C39	168-1042-78	16V 0.1uF	IC10	051-5833-00	GP1S093HCZ	R35	119-1051-15	1/10W 1M ohm
C40	168-3332-78	0.033uF K	IC11	051-3392-90	S-1323B15NB-N8ATFG	R36	119-4721-15	1/10W 4.7k ohm
C41	168-1042-78	16V 0.1uF				R37	119-4731-15	1/10W 47k ohm
C42	168-1042-78	16V 0.1uF	J1	074-1237-69	SOCKET 19P	R38	119-2231-15	1/10W 22k ohm
C43	168-1042-78	16V 0.1uF	J2	074-1201-65	SOCKET 15P	R39	119-1041-15	1/10W 100k ohm
C45	168-1042-78	16V 0.1uF	J3	074-1138-56	SOCKET 6P	R40	119-4721-15	1/10W 4.7k ohm
C46	168-1042-78	16V 0.1uF	J4	074-1100-61	SOCKET 11P	R41	119-4731-15	1/10W 47k ohm
C48	168-1042-78	16V 0.1uF	J5	074-1201-61	SOCKET 11P	R42	032-0140-16	1/10W 180k ohm F
C49	168-1042-78	16V 0.1uF	Q1	060-0252-01	PT4850F	R43	119-4731-15	1/10W 47k ohm
C50	168-1042-78	16V 0.1uF	Q2	125-0021-91	DTA114EUA	R44	119-2201-15	1/10W 22 ohm
C51	168-1042-78	16V 0.1uF	Q3	198-3018-00	2SK3018	R45	119-1511-15	1/10W 150 ohm
C52	168-5622-55	5600pF K	Q4	190-2060-00	2SA2060	R46	119-4721-15	1/10W 4.7k ohm
C53	168-1042-78	16V 0.1uF	Q8	190-2060-00	2SA2060	R47	032-0140-96	1/10W 120k ohm F
C54	166-6801-50	68pF CH	Q9	125-9026-90	IMF29	R48	119-1041-15	1/10W 100k ohm
C55	168-1532-55	0.015uF K	Q10	125-2027-91	DTC114EUA	R50	119-2211-15	1/10W 220 ohm
C56	168-1042-78	16V 0.1uF	Q11	125-0021-91	DTA114EUA	R51	119-0000-05	1/10W 0 ohm JW
C57	168-1032-55	0.01uF K	Q12	125-2027-91	DTC114EUA	R52	119-1041-15	1/10W 100k ohm
C58	168-1042-78	16V 0.1uF	Q13	125-9026-90	IMF29	R53	119-5621-15	1/10W 5.6k ohm
C59	168-1042-78	16V 0.1uF	R1	119-6811-15	1/10W 680 ohm	R55	119-3341-15	1/10W 330k ohm
C60	168-1522-55	1500pF K	R2	119-6811-15	1/10W 680 ohm	R56	119-4731-15	1/10W 47k ohm
C61	168-3322-55	3300pF K	R3	032-0163-91	1/2W 10 ohm	R57	119-2231-15	1/10W 22k ohm
C62	168-1032-55	0.01uF K	R4	032-0163-91	1/2W 10 ohm	R58	119-2211-15	1/10W 220 ohm
C64	168-1042-78	16V 0.1uF	R5	119-2231-15	1/10W 22k ohm	R59	119-1511-15	1/10W 150 ohm
C65	168-1032-55	0.01uF K	R6	116-1001-15	1/4W 10 ohm	R60	119-4731-15	1/10W 47k ohm
C67	168-1032-55	0.01uF K	R7	119-1021-15	1/10W 1k ohm	R61	119-1041-15	1/10W 100k ohm
C69	168-1532-55	0.015uF K	R8	116-1591-15	1/4W 1.5 ohm	R62	119-1041-15	1/10W 100k ohm
C70	166-4701-50	47pF CH	R9	119-2231-15	1/10W 22k ohm	R63	119-1041-15	1/10W 100k ohm
C71	168-1042-78	16V 0.1uF	R10	119-4711-15	1/10W 470 ohm	R64	119-1011-15	1/10W 100 ohm
C72	168-1042-78	16V 0.1uF	R11	119-2211-15	1/10W 220 ohm	R65	119-1041-15	1/10W 100k ohm
C74	166-6097-50	6pF CH	R12	119-6811-15	1/10W 680 ohm	R66	117-5611-15	1/8W 560 ohm
C75	168-1042-78	16V 0.1uF	R13	119-1011-15	1/10W 100 ohm	R67	116-3311-15	1/4W 330 ohm
C76	168-5622-55	5600pF K	R14	119-2231-15	1/10W 22k ohm	R68	116-3311-15	1/4W 330 ohm
C77	168-1032-55	0.01uF K	R15	119-8231-15	1/10W 82k ohm	R81	116-1591-15	1/4W 1.5 ohm
C101	043-0563-90	16V 47uF	R16	119-1041-15	1/10W 100k ohm	R101	119-0000-05	1/10W 0 ohm JW
CCT1	050-0145-59	1/16W 22 ohm x4	R17	119-1041-15	1/10W 100k ohm	R102	119-0000-05	1/10W 0 ohm JW
CCT2	050-0145-54	1/16W 47k ohm x4	R18	119-1041-15	1/10W 100k ohm	R103	119-0000-05	1/10W 0 ohm JW
CCT3	050-0145-54	1/16W 47k ohm x4	R19	119-1041-15	1/10W 100k ohm	R201	119-0000-05	1/10W 0 ohm JW
CCT4	050-0145-55	1/16W 10k ohm x4	R20	119-1041-15	1/10W 100k ohm	R212	119-1041-15	1/10W 100k ohm
CCT5	050-0140-55	1/32W 2.2k ohmx4J	R21	119-2221-15	1/10W 2.2k ohm	S1	013-7416-50	SW SPVL110200
D1	001-4301-14	HZU 3.0B1	R22	119-4711-15	1/10W 470 ohm	S2	013-7416-50	SW SPVL110200
D1	001-0529-14	MA8030-L	R23	119-1051-15	1/10W 1M ohm	S3	013-7412-50	SPVG21
D2	001-0367-91	1SS226	R24	119-2211-15	1/10W 220 ohm	S4	013-7415-50	SPVG110400
D3	001-4301-13	HZU 2.7B2	R25	119-2211-15	1/10W 220 ohm	X1	061-3534-90	16.92MHz
D3	001-0529-13	MA8029-H	R26	119-1041-15	1/10W 100k ohm	X3	060-1545-90	20MHz
D4	001-4301-18	HZU 3.6B1	R27	119-1051-15	1/10W 1M ohm	PWB	039-3058-20	PWB(WITHOUT COMPONENT)
D4	001-0529-18	MA8036-L	R28	119-1041-15	1/10W 100k ohm			
IC2	052-5077-01	TMP91CY22IFG	R29	119-1041-15	1/10W 100k ohm			

Sensor-L-PFC(BM2) section

REF No.	PART No.	DESCRIPTION
PT1	060-0252-01	PT14850F
PT2	060-0252-01	PT14850F
PT3	051-5833-00	GP1S093HCZ

REF No.	PART No.	DESCRIPTION
PWB	039-3003-20	PWB(WITHOUT COMPONENTS)

Sensor-U-PFC(BM3) section

REF No.	PART No.	DESCRIPTION
LED1	001-7077-00	GL4804
LED2	001-7042-00	GL4800
LED3	001-7042-00	GL4800

REF No.	PART No.	DESCRIPTION
S5	013-7417-50	ABC1122P161
PWB	039-3004-20	PWB(WITHOUT COMPONENTS)