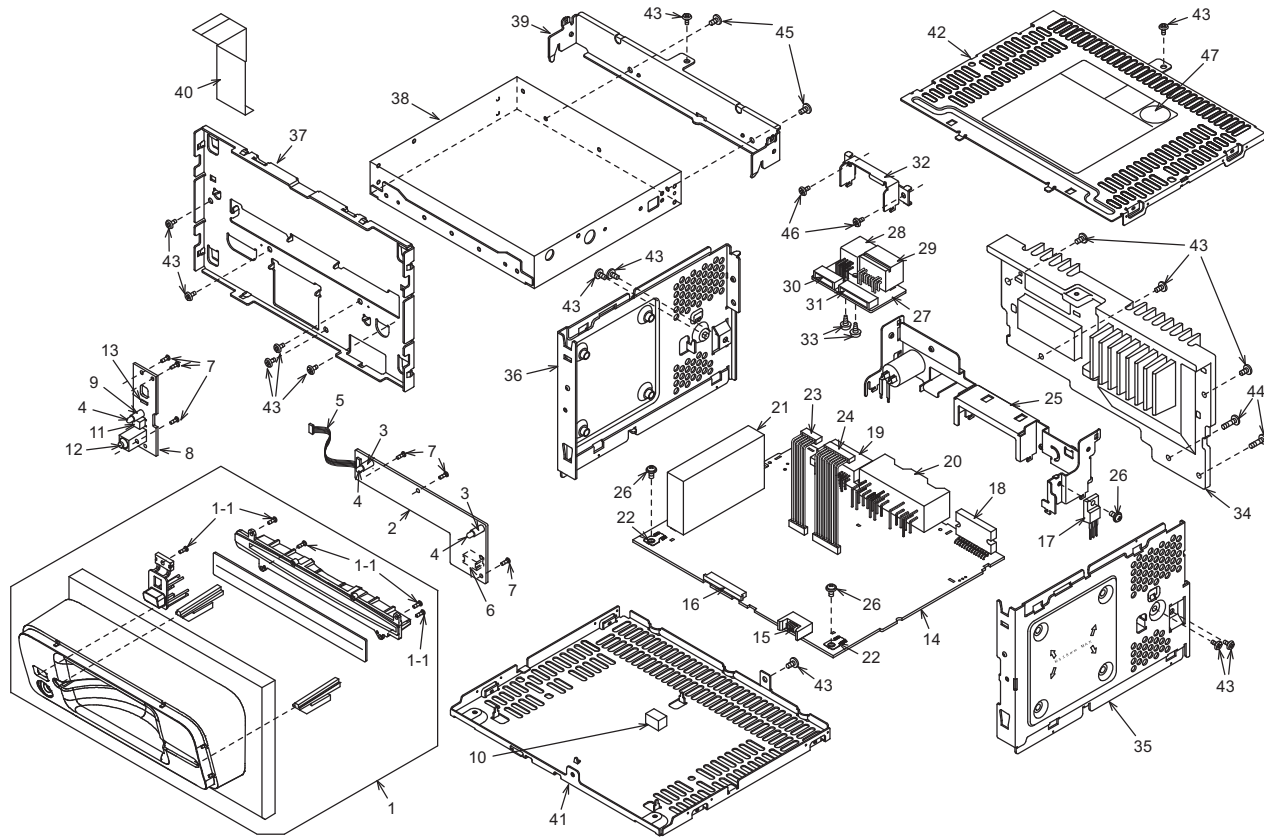


EXPLODED VIEW/PARTS LIST



Note) Some parts depend on each model. The model name is specified in the description.
 (Q-A) : PN-2839Q-A, (Q-B) : PN-2839Q-B

NO.	PART NO.	DESCRIPTION	Q'TY	NO.	PART NO.	DESCRIPTION	Q'TY
1	940-8161-00 940-8161-10	ESCUTCHEON ASSY(Q-A) (COLOR : GRAY) ESCUTCHEON ASSY(Q-B) (COLOR : BEIGE)	1	24	854-4560-50	EXTENSION LEAD(10P)	1
1-1	716-0778-50	WAVE SCREW(2 x 6)	5	25	307-0691-00	REAR PLATE WITH ANT.RECEPT	1
2	-----	LED PWB	1	26	716-0878-50	IT SCREW(M2.6 x 5)	3
3	340-4421-06	LED HOLDER	1	27	-----	SUB PWB	1
4	001-0569-06	LED DIODE	3	28	074-1302-08	OUTLET SOCKET(TH08)	1
5	854-4597-51	EXTENSION LEAD	1	29	074-1013-00	OUTLET SOCKET(A12)	1
6	074-1151-08	OUTLET SOCKET(8P)	1	30	076-0313-06	PLUG(6P)	1
7	716-0778-50	WAVE SCREW(2 x 6)	6	31	076-0313-10	PLUG(10P)	1
8	-----	SWITCH PWB	1	32	331-3529-00	OUTLET HOLDER	1
9	340-4421-10	LED HOLDER	1	33	716-0804-01	TAP SCREW(2 X6)	2
10	345-3166-00	RUBBER PARTS	1	34	313-1863-00	HEAT SINK	1
11	013-3934-02	SWITCH	1	35	305-0314-00	SIDE PLATE(RH)	1
12	075-9009-00	JACK	1	36	305-0313-00	SIDE PLATE(LH)	1
13	076-0502-58	PLUG(8P)	1	37	331-4259-00	ES PLATE	1
14	-----	MAIN PWB	1	38	929-5001-81	CD MECHANISM	1
15	076-3009-58	PLUG(8P)	1	39	331-3254-10	MECHANISM BRKT	1
16	074-1237-76	OUTLET SOCKET(26P)	1	40	816-2549-02	FLAT WIRE	1
17	103-2012-00	TRANSISTOR(2SD2012)	1	41	311-1867-00	LOWER CASE	1
18	051-2037-00	POWER IC(TDA7560)	1	42	310-1739-10	UPPER CASE	1
19	074-1319-20	OUTLET SOCKET(A20)	1	43	714-2606-8B	MACHINE SCREW(M2.6 x 6)	15
20	074-1068-11	OUTLET SOCKET(NS10P+6P)	1	44	714-2612-8B	MACHINE SCREW(M2.6 x 12)	2
21	880-1921V	AM/FM TUNER	1	45	714-2603-8B	MACHINE SCREW(M2.6 x 3)	2
22	073-0762-90	TERMINAL	2	46	714-2604-8B	MACHINE SCREW(M2.6 x 4)	2
23	854-4561-50	EXTENSION LEAD(6P)	1	47	286-6242-17 286-6242-18	SETPLATE(Q-A) SETPLATE(Q-B)	1

ELECTRICAL PARTS LIST

Main PWB(B1) section

Note) Several different parts of the same reference number are alternative parts.
One of those parts is used in the set.

REF No.	PART No.	DESCRIPTION	REF No.	PART No.	DESCRIPTION	REF No.	PART No.	DESCRIPTION
ANT150	307-0691-00	REAR PLATE with ANT. receipt	C225	166-1801-50	18pF CH	C421	166-2201-50	22pF CH
BL101	880-1921V	AM/FM TUNER	C226	168-2212-55	220pF K	C422	166-2201-50	22pF CH
C101	166-1511-50	150pF CH	C227	178-2242-78	0.22uF	C423	166-2201-50	22pF CH
C102	166-1201-50	12pF CH	C228	168-1832-55	0.018uF K	C424	166-2201-50	22pF CH
C103	166-4701-50	47pF CH	C229	187-2263-37	16V 22uF	C425	166-2201-50	22pF CH
C104	168-1042-78	16V 0.1uF	C230	187-1063-37	16V 10uF	C426	043-0548-50	2.2uF
C105	188-1073-28	10V 100uF	C231	168-1032-55	0.01uF K	C427	043-0548-50	2.2uF
C106	168-2232-55	0.022uF K	C232	168-1032-55	0.01uF K	C428	043-0548-50	2.2uF
C107	178-1052-78	1uF	C233	187-1063-37	16V 10uF	C429	043-0548-50	2.2uF
C108	188-1073-28	10V 100uF	C234	187-2263-37	16V 22uF	C500	168-1022-55	1000pF K
C110	168-1022-55	1000pF K	C235	168-1032-55	0.01uF K	C501	168-2232-55	0.022uF K
C111	168-1042-78	16V 0.1uF	C236	187-1063-37	16V 10uF	C502	168-1022-55	1000pF K
C112	188-1073-28	10V 100uF	C237	178-3342-78	0.33uF	C503	168-1022-55	1000pF K
C113	168-1022-55	1000pF K	C238	168-1032-55	0.01uF K	C512	168-1042-78	16V 0.1uF
C114	178-1052-78	1uF	C239	187-1063-37	16V 10uF	C550	042-1562-17	16V 10uF
C115	168-1532-55	0.015uF K	C240	178-1052-78	1uF	C551	042-1562-17	16V 10uF
C116	166-2201-50	22pF CH	C242	178-1052-78	1uF	C552	042-1562-17	16V 10uF
C120	168-2222-55	2200pF K	C243	168-6842-78	0.68uF K	C553	042-1562-17	16V 10uF
C121	178-1042-78	0.1uF	C244	166-3901-50	39pF CH	C554	166-5096-50	5pF CH
C122	178-1042-78	0.1uF	C245	168-6842-78	0.68uF K	C555	166-5096-50	5pF CH
C123	166-4701-50	47pF CH	C246	168-6842-78	0.68uF K	C558	166-5096-50	5pF CH
C126	168-1022-55	1000pF K	C247	168-6842-78	0.68uF K	C559	166-5096-50	5pF CH
C127	042-1458-90	50V 1uF LN	C248	168-6842-78	0.68uF K	C600	178-1052-78	1uF
C128	187-4763-37	16V 47uF	C249	166-1011-50	100pF CH	C603	187-2263-67	50V 22uF
C129	168-2232-55	0.022uF K	C250	166-2201-50	22pF CH	C604	168-1042-78	16V 0.1uF
C131	168-1022-55	1000pF K	C251	166-2201-50	22pF CH	C605	168-1022-55	1000pF K
C133	187-4763-37	16V 47uF	C252	168-6842-78	0.68uF K	C606	168-1042-78	16V 0.1uF
C134	168-2232-55	0.022uF K	C253	168-6842-78	0.68uF K	C607	178-2242-78	0.22uF
C135	166-1011-50	100pF CH	C254	168-6842-78	0.68uF K	C608	166-1801-50	18pF CH
C136	166-1011-50	100pF CH	C255	168-1222-55	1200pF K	C650	168-1042-78	16V 0.1uF
C137	166-1011-50	100pF CH	C256	178-1052-78	1uF	C700	187-1063-37	16V 10uF
C138	166-1011-50	100pF CH	C257	178-1052-78	1uF	C701	168-1042-78	16V 0.1uF
C139	166-1801-50	18pF CH	C258	168-1042-78	16V 0.1uF	C702	188-1073-28	10V 100uF
C140	166-1801-50	18pF CH	C259	187-1063-37	16V 10uF	C703	187-1063-37	16V 10uF
C141	168-1022-55	1000pF K	C262	189-2273-39	16V 220uF	C706	187-1063-37	16V 10uF
C142	178-1542-78	0.15uF	C263	166-1011-50	100pF CH	C707	168-1042-78	16V 0.1uF
C143	187-1063-37	16V 10uF	C264	166-1011-50	100pF CH	C802	187-1053-67	50V 1uF
C144	168-4732-78	0.047uF K	C265	166-1011-50	100pF CH	C803	178-2242-78	0.22uF
C146	166-1007-50	10pF CH	C266	166-1011-50	100pF CH	C804	187-1063-37	16V 10uF
C147	168-1032-55	0.01uF K	C267	166-2201-50	22pF CH	C805	178-1052-78	1uF
C148	168-3322-55	3300pF K	C300	166-5601-50	56pF CH	C806	178-1052-78	1uF
C149	187-1073-37	16V 100uF	C301	168-2222-55	2200pF K	C900	172-1041-15	0.1uF
C150	178-1052-78	1uF	C303	166-5601-50	56pF CH	C901	042-1447-00	16V 2200uF
C151	168-1032-55	0.01uF K	C304	166-5601-50	56pF CH	C902	042-1447-00	16V 2200uF
C152	166-1501-50	15pF CH	C307	166-5601-50	56pF CH	C903	187-1053-67	50V 1uF
C153	168-1022-55	1000pF K	C308	187-1063-37	16V 10uF	C904	168-1042-78	16V 0.1uF
C154	168-1042-78	16V 0.1uF	C309	187-1063-37	16V 10uF	C905	187-1063-37	16V 10uF
C163	166-2201-50	22pF CH	C310	187-4763-37	16V 47uF	C906	168-2222-55	2200pF K
C164	166-2201-50	22pF CH	C311	168-1042-78	16V 0.1uF	C907	168-2222-55	2200pF K
C165	166-2201-50	22pF CH	C312	187-1063-37	16V 10uF	C908	168-2222-55	2200pF K
C166	166-2201-50	22pF CH	C313	189-2273-29	10V 220uF	C909	168-2222-55	2200pF K
C201	168-1042-78	16V 0.1uF	C314	166-2201-50	22pF CH	C910	168-2222-55	2200pF K
C202	168-2222-55	2200pF K	C315	178-1042-78	0.1uF	C911	168-2222-55	2200pF K
C203	187-2253-67	50V 2.2uF	C320	168-2212-55	220pF K	C912	168-2222-55	2200pF K
C204	168-8212-55	820pF K	C350	187-1063-37	16V 10uF	C913	168-2222-55	2200pF K
C205	187-2253-67	50V 2.2uF	C351	187-1063-37	16V 10uF	C914	168-2222-55	2200pF K
C206	189-1073-29	10V 100uF	C352	187-1063-37	16V 10uF	C915	168-1022-55	1000pF K
C207	189-1073-29	10V 100uF	C353	187-1063-37	16V 10uF	C916	168-1022-55	1000pF K
C208	168-2212-55	220pF K	C354	168-2222-55	2200pF K	C917	168-2222-55	2200pF K
C209	168-2212-55	220pF K	C355	187-1063-37	16V 10uF	C918	168-2222-55	2200pF K
C210	189-2273-39	16V 220uF	C356	187-1063-37	16V 10uF	C1002	168-1042-78	16V 0.1uF
C211	166-2701-50	27pF CH	C357	187-1063-37	16V 10uF	C1003	168-1042-78	16V 0.1uF
C212	168-4732-78	0.047uF K	C358	187-1063-37	16V 10uF	C1004	187-1073-37	16V 100uF
C214	178-1052-78	1uF	C360	166-5096-50	5pF CH	C1005	187-4763-37	16V 47uF
C215	168-4732-78	0.047uF K	C361	166-5096-50	5pF CH	C1006	168-1042-78	16V 0.1uF
C216	187-2263-37	16V 22uF	C362	166-5096-50	5pF CH	C9001	168-1042-78	16V 0.1uF
C217	168-1022-55	1000pF K	C363	166-5096-50	5pF CH	CCT601	050-0145-52	1/16W 1k ohm x4
C218	168-4732-78	0.047uF K	C400	168-1022-55	1000pF K	CCT602	050-0145-52	1/16W 1k ohm x4
C219	187-4763-37	16V 47uF	C401	168-1022-55	1000pF K	D101	001-9008-90	1SV250
C220	168-1042-78	16V 0.1uF	C402	187-2253-67	50V 2.2uF	D102	001-9008-90	1SV250
C221	168-1042-78	16V 0.1uF	C403	187-2253-67	50V 2.2uF	D200	001-0529-32	MA8056-M
C222	168-1042-78	16V 0.1uF	C404	168-1042-78	16V 0.1uF	D400	001-4305-39	UDZSTE-17 36B
C223	166-1801-50	18pF CH	C405	168-1042-78	16V 0.1uF	D401	001-0516-90	MA111
C224	187-2263-37	16V 22uF	C406	166-1011-50	100pF CH	D500	001-4305-39	UDZSTE-17 36B
			C420	166-2201-50	22pF CH	D501	001-0529-44	MA8082-M

REF No.	PART No.	DESCRIPTION	REF No.	PART No.	DESCRIPTION	REF No.	PART No.	DESCRIPTION
D502	001-0516-90	MA111	Q901	125-2005-91	UN2211	R241	119-2231-15	1/10W 22k ohm
D503	001-0516-90	MA111	Q1001	131-1188-00	2SB1188	R242	119-2231-15	1/10W 22k ohm
D700	001-0504-31	HZS6 A2L	R101	119-2221-15	1/10W 2.2k ohm	R243	119-2231-15	1/10W 22k ohm
D701	001-0504-45	HZS9B1L	R102	119-1021-15	1/10W 1k ohm	R244	119-3931-15	1/10W 39k ohm
D702	001-0504-48	HZS9C2L	R103	119-4721-15	1/10W 4.7k ohm	R245	119-3931-15	1/10W 39k ohm
D703	001-0466-90	S5688B	R104	119-1021-15	1/10W 1k ohm	R247	119-0000-05	1/10W 0 ohm JW
D705	001-0330-90	1SS119	R105	119-1501-15	1/10W 15 ohm	R250	116-4701-15	1/4W 47 ohm
D900	001-2015-00	RL253	R106	119-1001-15	1/10W 10 ohm	R300	119-2031-15	1/10W 20k ohm
D901	001-0529-34	MA8062-L	R107	119-2221-15	1/10W 2.2k ohm	R301	119-1001-15	1/10W 10 ohm
D902	001-0466-90	S5688B	R108	119-1031-15	1/10W 10k ohm	R302	119-2231-15	1/10W 22k ohm
D903	001-0466-90	S5688B	R109	119-1031-15	1/10W 10k ohm	R303	119-1031-15	1/10W 10k ohm
D904	001-0529-72	MA8200-M	R110	119-1021-15	1/10W 1k ohm	R304	119-1041-15	1/10W 100k ohm
D905	001-0529-72	MA8200-M	R111	119-1021-15	1/10W 1k ohm	R305	119-2231-15	1/10W 22k ohm
D906	001-0529-72	MA8200-M	R112	119-2221-15	1/10W 2.2k ohm	R306	119-1001-15	1/10W 10 ohm
D907	001-0529-72	MA8200-M	R113	119-2701-15	1/10W 27 ohm	R307	119-2031-15	1/10W 20k ohm
D1001	001-0516-90	MA111	R114	119-1031-15	1/10W 10k ohm	R308	119-1001-15	1/10W 10 ohm
IC101	051-6212-08	LC72191JM-TLM	R115	119-1011-15	1/10W 100 ohm	R309	119-2231-15	1/10W 22k ohm
IC102	051-4617-90	LA1061M-TE-L	R116	119-1031-15	1/10W 10k ohm	R310	119-1031-15	1/10W 10k ohm
IC103	051-3020-90	NJM4565V	R117	119-1031-15	1/10W 10k ohm	R311	119-1041-15	1/10W 100k ohm
IC200	051-3273-90	L88M33TL	R118	119-2221-15	1/10W 2.2k ohm	R312	119-3331-15	1/10W 33k ohm
IC201	051-6360-20	SAA7706H/N210	R119	119-4721-15	1/10W 4.7k ohm	R313	119-3331-15	1/10W 33k ohm
IC202	051-6394-08	UDA1334TS-N1-118	R120	119-3321-15	1/10W 3.3k ohm	R314	119-2231-15	1/10W 22k ohm
IC300	051-3019-90	NJM2060V	R121	119-2221-15	1/10W 2.2k ohm	R315	119-1001-15	1/10W 10 ohm
IC302	051-3020-90	NJM4565V	R122	119-4721-15	1/10W 4.7k ohm	R316	119-1031-15	1/10W 10k ohm
IC350	051-3020-90	NJM4565V	R124	119-1021-15	1/10W 1k ohm	R317	119-1031-15	1/10W 10k ohm
IC406	051-3020-90	NJM4565V	R125	119-1031-15	1/10W 10k ohm	R320	119-4731-15	1/10W 47k ohm
IC506	051-2037-00	TDA7560	R126	119-4731-15	1/10W 47k ohm	R321	119-4731-15	1/10W 47k ohm
IC550	051-3020-90	NJM4565V	R127	119-8201-15	1/10W 82 ohm	R323	119-2231-15	1/10W 22k ohm
IC600	052-3179-11	uPD703033BYGC-J81-EUA	R138	119-1021-15	1/10W 1k ohm	R324	119-1031-15	1/10W 10k ohm
IC601	051-5436-08	S-80933CNMC-G83(ANMP-DDX)	R139	119-1041-15	1/10W 100k ohm	R358	119-8201-15	1/10W 82 ohm
IC1001	051-3341-90	BD3931FP	R140	119-1041-15	1/10W 100k ohm	R359	116-1211-15	1/4W 120 ohm
J201	074-1237-76	26P	R141	119-2731-15	1/10W 27k ohm	R361	119-1831-15	1/10W 18k ohm
J350	074-1319-20	OUTLET SOCKET	R142	119-1041-15	1/10W 100k ohm	R362	119-1031-15	1/10W 10k ohm
J900	074-1068-11	NS10+6	R143	119-5631-15	1/10W 56k ohm	R363	119-1031-15	1/10W 10k ohm
L101	010-2198-65	0.1uH	R144	119-4731-15	1/10W 47k ohm	R364	119-3011-15	1/10W 300 ohm
L102	010-3407-66	NLV32 22uH J	R145	119-4741-15	1/10W 47k ohm	R365	116-1211-15	1/4W 120 ohm
L103	010-2312-52	0.27uH	R146	119-1021-15	1/10W 1k ohm	R366	032-0106-65	1/10W 100k ohm D
L104	010-2003-04	30uH	R147	119-1031-15	1/10W 10k ohm	R367	032-0106-65	1/10W 100k ohm D
L105	010-2198-53	5.6uH	R148	119-1031-15	1/10W 10k ohm	R368	032-0106-65	1/10W 100k ohm D
L200	010-2285-62	600 ohm/100MHz	R149	119-2731-15	1/10W 27k ohm	R369	032-0106-65	1/10W 100k ohm D
L201	010-2285-63	1.8k ohm/100MHz	R150	119-3911-15	1/10W 390 ohm	R370	032-0106-69	1/10W 39k ohm D
L202	010-3407-70	NLV32 47uH J	R151	119-1041-15	1/10W 100k ohm	R371	032-0106-69	1/10W 39k ohm D
L600	010-3407-54	NLV32 2.2uH J	R200	116-3911-15	1/4W 390 ohm	R372	032-0106-69	1/10W 39k ohm D
L900	009-0680-60	200uH	R203	119-7521-15	1/10W 7.5k ohm	R373	032-0106-69	1/10W 39k ohm D
P901	076-3009-58	8P	R204	119-2231-15	1/10W 22k ohm	R400	119-1031-15	1/10W 10k ohm
Q101	125-2005-91	UN2211	R205	119-7521-15	1/10W 7.5k ohm	R401	119-5631-15	1/10W 56k ohm
Q102	190-1298-00	2SA1298	R206	119-1021-15	1/10W 1k ohm	R402	119-1031-15	1/10W 10k ohm
Q103	190-1298-00	2SA1298	R207	119-1021-15	1/10W 1k ohm	R403	119-4721-15	1/10W 4.7k ohm
Q104	192-2712-51	2SC2712 G,L	R209	119-1001-15	1/10W 10 ohm	R404	119-1531-15	1/10W 15k ohm
Q105	192-2712-51	2SC2712 G,L	R210	119-1001-15	1/10W 10 ohm	R405	119-3321-15	1/10W 3.3k ohm
Q106	192-2712-51	2SC2712 G,L	R211	119-1031-15	1/10W 10k ohm	R406	119-4711-15	1/10W 47k ohm
Q107	192-2712-00	2SC2712	R212	119-1011-15	1/10W 10k ohm	R453	119-6831-15	1/10W 68k ohm
Q108	192-2712-00	2SC2712	R213	119-2211-15	1/10W 220 ohm	R454	119-6831-15	1/10W 68k ohm
Q109	125-2005-91	UN2211	R214	119-2211-15	1/10W 220 ohm	R455	119-6831-15	1/10W 68k ohm
Q110	125-2005-91	UN2211	R215	119-1011-15	1/10W 100 ohm	R456	119-6831-15	1/10W 68k ohm
Q200	102-3420-00	2SC3420	R216	119-1031-15	1/10W 10k ohm	R457	119-4731-15	1/10W 47k ohm
Q350	125-9003-92	IMD3	R217	119-1031-15	1/10W 10k ohm	R458	119-4731-15	1/10W 47k ohm
Q351	125-2005-91	UN2211	R218	119-1031-15	1/10W 10k ohm	R459	119-4731-15	1/10W 47k ohm
Q352	125-9003-92	IMD3	R219	119-1011-15	1/10W 100 ohm	R460	119-4731-15	1/10W 47k ohm
Q400	125-0001-91	UN2111	R220	119-1031-15	1/10W 10k ohm	R461	119-1031-15	1/10W 10k ohm
Q401	192-2712-00	2SC2712	R221	119-1031-15	1/10W 10k ohm	R462	119-1031-15	1/10W 10k ohm
Q402	125-2005-91	UN2211	R222	119-1011-15	1/10W 100 ohm	R472	119-4731-15	1/10W 47k ohm
Q403	192-2712-00	2SC2712	R223	119-4721-15	1/10W 4.7k ohm	R500	119-1031-15	1/10W 10k ohm
Q500	125-0001-91	UN2111	R224	119-1031-15	1/10W 10k ohm	R501	119-5631-15	1/10W 56k ohm
Q501	192-2712-00	2SC2712	R225	119-1011-15	1/10W 100 ohm	R502	119-1021-15	1/10W 1k ohm
Q502	125-2005-91	UN2211	R226	119-1011-15	1/10W 100 ohm	R503	119-4731-15	1/10W 47k ohm
Q503	125-9006-90	IMX1	R227	119-1011-15	1/10W 100 ohm	R504	119-2231-15	1/10W 22k ohm
Q700	193-1664-00	2SD1664 P,Q,R	R229	119-1031-15	1/10W 10k ohm	R505	119-1031-15	1/10W 10k ohm
Q701	125-9003-92	IMD3	R230	119-7521-15	1/10W 7.5k ohm	R506	119-1031-15	1/10W 10k ohm
Q702	103-2012-00	2SD2012	R231	119-7521-15	1/10W 7.5k ohm	R507	119-5631-15	1/10W 56k ohm
Q703	193-2118-00	2SD2118F5 Q,R,S	R232	119-7521-15	1/10W 7.5k ohm	R508	119-5631-15	1/10W 56k ohm
Q704	190-1428-00	2SA1428	R233	119-7521-15	1/10W 7.5k ohm	R509	119-5621-15	1/10W 5.6k ohm
Q705	125-2005-91	UN2211	R234	119-4701-15	1/10W 47 ohm	R510	119-5621-15	1/10W 5.6k ohm
Q706	125-2005-91	UN2211	R235	119-1031-15	1/10W 10k ohm	R550	119-3011-15	1/10W 300 ohm
Q707	190-1298-00	2SA1298	R236	119-1031-15	1/10W 10k ohm	R551	119-3011-15	1/10W 300 ohm
Q900	192-2712-00	2SC2712	R237	119-1031-15	1/10W 10k ohm	R552	032-0106-65	1/10W 100k ohm D
			R238	119-1031-15	1/10W 10k ohm	R553	032-0106-65	1/10W 100k ohm D
			R240	119-2231-15	1/10W 22k ohm	R554	032-0106-65	1/10W 100k ohm D

REF No.	PART No.	DESCRIPTION	REF No.	PART No.	DESCRIPTION	REF No.	PART No.	DESCRIPTION
R555	032-0106-65	1/10W 100k ohm D	R653	119-4731-15	1/10W 47k ohm	R905	119-4721-15	1/10W 4.7k ohm
R556	032-0106-69	1/10W 39k ohm D	R656	119-4731-15	1/10W 47k ohm	R906	116-2721-15	1/4W 2.7k ohm
R557	032-0106-69	1/10W 39k ohm D	R657	119-0000-05	1/10W 0 ohm JW	R907	116-6811-15	1/4W 680 ohm
R558	032-0106-69	1/10W 39k ohm D	R658	119-4731-15	1/10W 47k ohm	R908	116-5601-15	1/4W 56 ohm
R559	032-0106-69	1/10W 39k ohm D	R700	116-2211-15	1/4W 220 ohm	R909	116-6811-15	1/4W 680 ohm
R601	119-1021-15	1/10W 1k ohm	R701	119-1041-15	1/10W 100k ohm	R1001	116-1091-15	1/4W 1 ohm
R602	119-1021-15	1/10W 1k ohm	R702	116-3911-15	1/4W 390 ohm	SUP101	060-0122-90	DSP-201M-S00B
R603	119-1021-15	1/10W 1k ohm	R703	116-3911-15	1/4W 390 ohm	SUP102	060-0122-90	DSP-201M-S00B
R604	119-1041-15	1/10W 100k ohm	R704	119-1041-15	1/10W 100k ohm	TH1001	002-0229-90	PTH8L05B
R605	119-4731-15	1/10W 47k ohm	R705	116-3911-15	1/4W 390 ohm	TM101	073-0762-90	TERMINAL
R606	119-4731-15	1/10W 47k ohm	R707	116-1021-15	1/4W 1k ohm	TM102	073-0762-90	TERMINAL
R608	119-4731-15	1/10W 47k ohm	R708	119-4721-15	1/10W 4.7k ohm	VR101	012-5203-63	470k ohm
R609	119-4731-15	1/10W 47k ohm	R709	119-3321-15	1/10W 3.3k ohm	VR104	012-5203-56	10k ohm
R610	119-1041-15	1/10W 100k ohm	R710	119-1031-15	1/10W 10k ohm	X101	061-1066-00	7.2MHz
R611	119-1041-15	1/10W 100k ohm	R804	119-1031-15	1/10W 10k ohm	X200	061-3049-00	11.2896MHz
R612	119-1021-15	1/10W 1k ohm	R805	119-4731-15	1/10W 47k ohm	X601	060-1519-90	CSTCV12.5MTJ001
R613	119-0000-05	1/10W 0 ohm JW	R900	119-1031-15	1/10W 10k ohm	Z107	073-0774-00	TERMINAL
R615	119-1041-15	1/10W 100k ohm	R901	119-5611-15	1/10W 560 ohm	PWB	039-2868-00	PWB(WITHOUT COMPONENT)
R650	119-4731-15	1/10W 47k ohm	R902	116-1531-15	1/4W 15k ohm			
R651	119-4731-15	1/10W 47k ohm	R903	116-5601-15	1/4W 56 ohm			
R652	119-4731-15	1/10W 47k ohm	R904	116-1221-15	1/4W 1.2k ohm			

LED PWB(B2) section

REF No.	PART No.	DESCRIPTION	REF No.	PART No.	DESCRIPTION	REF No.	PART No.	DESCRIPTION
D601	001-0569-06	MAY3371X-9B6	J601	074-1151-08	8P	PWB	039-2869-00	PWB(WITHOUT COMPONENT)
D602	001-0569-06	MAY3371X-9B6						

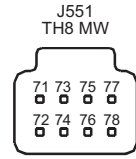
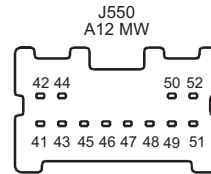
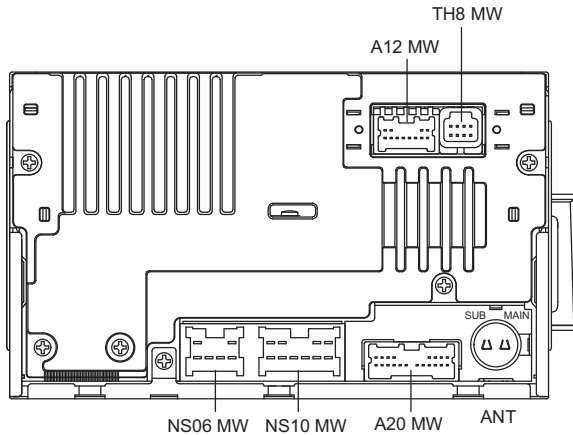
Switch PWB(B3) section

REF No.	PART No.	DESCRIPTION	REF No.	PART No.	DESCRIPTION	REF No.	PART No.	DESCRIPTION
D603	001-0569-06	MAY3371X-9B6	P602	076-0502-58	8P	PWB	039-2870-00	PWB(WITHOUT COMPONENT)
J802	075-9009-00	JACK	S601	013-3934-02	SKPCAH			

Sub PWB(B4) section

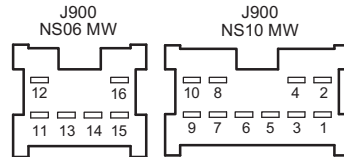
REF No.	PART No.	DESCRIPTION	REF No.	PART No.	DESCRIPTION	REF No.	PART No.	DESCRIPTION
J550	074-1013-00	A12	P550	076-0313-06	6P	PWB	039-2313-00	PWB(WITHOUT COMPONENT)
J551	074-1302-08	TH8	P551	076-0313-10	10P			

CONNECTOR LAYOUT

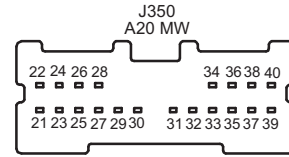


No.	Description
41	SAT L-CH (-)
42	SAT L-CH (+)
43	SAT R-CH (-)
44	SAT R-CH (+)
45	SHIELD EARTH
46	DATA EARTH
47	N.C (VPP)
48	SLAVE-REQ
49	SAT - COMB (RXD)
50	COMB - SAT (TXD)
51	N.C
52	N.C

No.	Description
71	GND
72	N.C
73	RX
74	TX
75	N.C
76	GND
77	N.C
78	N.C

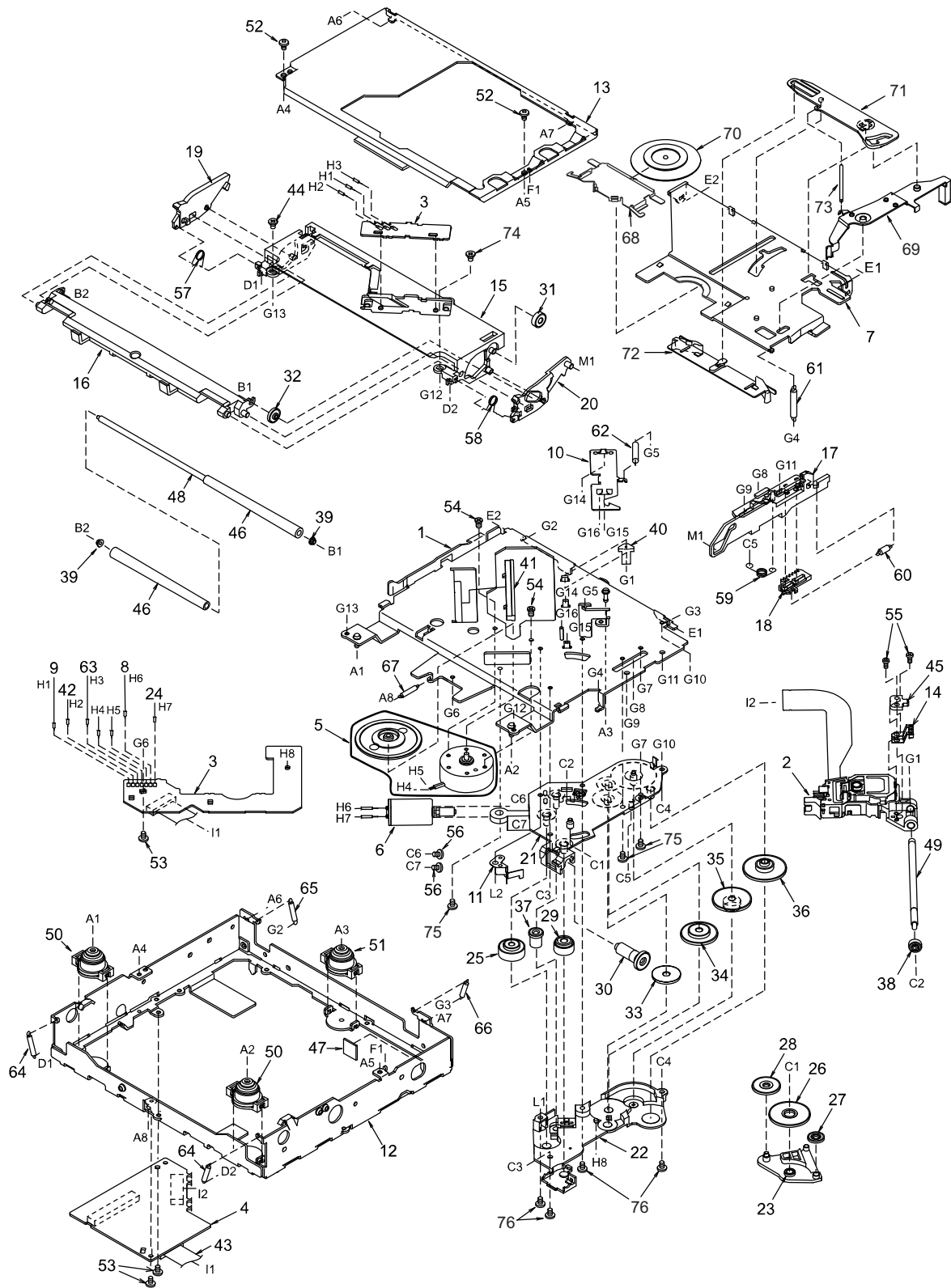


No.	Description	No.	Description
11	GND	1	GND
12	N.C	2	ACC
13	RR_SP L-CH (-)	3	ILL (-)
14	RR_SP L-CH (+)	4	ILL (+)
15	RR_SP R-CH (-)	5	BACK UP
16	RR_SP R-CH (+)	6	ANT
		7	FR_SP R-CH (-)
		8	FR_SP R-CH (+)
		9	FR_SP L-CH (-)
		10	FR_SP L-CH (+)



No.	Description	No.	Description
21	REM-A (RSC)	31	REM ENABLE (RSC)
22	REM-B (RSC)	32	SWITCH +B
23	REM-C (RSC)	33	N.C
24	REM-D (RSC)	34	FES LCH INPUT (-)
25	REMOTE GND	35	FES LCH INPUT (+)
26	HP OUT L (-)	36	FES RCH INPUT (-)
27	HP OUT L (+)	37	FES RCH INPUT (+)
28	HP OUT R (-)	38	SHIELD GND
29	HP OUT R (+)	39	DVD-ON/OFF (HU to DVD)
30	SHIELD GND	40	AUDIO-ON (DVD to COM)

EXPLODED VIEW / PARTS LIST



ELECTRICAL PARTS LIST

CD PWB(BM1) section

NO.	PART NO.	DESCRIPTION	QTY	NO.	PART NO.	DESCRIPTION	QTY
1	966-1743-21	DRIVE-PLT-ASSY	1	39	621-1726-20	ROLLER SLEEVE	2
2	969-0071-30	PICKUP-ASSY	1	40	621-0623-23	LS-HOLDER	1
3	-----	LED PWB	1	41	621-0624-22	GUIDE RAIL	1
4	-----	CD PWB	1	42	816-2593-00	LEAD(PUR)	1
5	SMA-182-100	MOTOR ASSY(SPINDLE)	1	43	816-2542-01	FLAT WIRE	1
6	SMA-183-100	MOTOR ASSY(SLED)	1	44	716-3473-01	SCREW(M2x3)	1
7	620-1596-23	CLAMPER LINK	1	45	621-1729-20	SH-BASE	1
8	803-4906-60	VINYL-COAT-WIRE(ORG)	1	46	621-0711-20	LOADING ROLLER	2
9	816-2591-00	LEAD(YEL)	1	47	345-5476-20	CUSHION RUBBER	1
10	620-1753-20	ID-LOCK PLATE	1	48	622-1571-21	ROLLER SHAFT	1
11	620-1026-21	SPRING PLATE	1	49	624-0020-00	LEAD SCREW	1
12	620-1754-20	LOWER CHASSIS	1	50	629-0086-20	DAMPER F	2
13	620-1598-22	UPPER CHASSIS	1	51	629-0087-20	DAMPER R	1
14	966-1722-20	SH-RACK-ASSY	1	52	714-2003-8B	MACHIN SCREW(M2x3)	2
15	621-1742-20	UPPER GUIDE	1	53	716-1507-01	SCREW(M2x3)	3
16	621-0718-21	ROLLER GUIDE	1	54	716-1733-01	SCREW(M1.7x2.3)	2
17	621-1743-20	SHIFT LEVER	1	55	716-3469-01	SCREW(M3x4)	2
18	621-1744-20	RACK	1	56	716-3551-00	SCREW(M1.4x2.5)	2
19	621-1745-20	LOCK ARM L	1	57	750-6797-20	ROLLER SPRING L	1
20	621-1746-20	LOCK ARM R	1	58	750-6798-20	ROLLER SPRING R	1
21	621-1754-20	GEAR BASE	1	59	750-3467-21	SHIFT SPRING	1
22	621-1747-20	GEAR COVER	1	60	750-3468-20	RACK SPRING	1
23	621-1719-20	IDLE CASE	1	61	750-3469-20	CLAMPER SPRING	1
24	816-2590-00	LEAD(GRN)	1	62	750-3470-20	ID-LOCK SPRING	1
25	621-0608-21	SECOND GEAR	1	63	816-2592-00	LEAD(BLU)	1
26	621-0609-20	BASE GEAR	1	64	750-3472-21	DR-SPRING F	2
27	621-0610-20	IDLE GEAR A	1	65	750-3473-20	DR-SPRING RA	1
28	621-0611-20	IDLE GEAR B	1	66	750-3474-20	DR-SPRING RB	1
29	621-0612-21	ROLLER GEAR A	1	67	750-3475-21	DR-SPRING C	1
30	621-0719-20	ROLLER GEAR	1	68	620-1023-23	CLAMPER PLATE	1
31	621-0720-20	ROLLER GEAR C	1	69	620-1752-20	SENSOR ARM	1
32	621-0721-20	ROLLER GEAR D	1	70	621-1753-20	CLAMPER RING	1
33	621-1748-20	POWER GEAR A	1	71	621-0728-20	STOPPER LINK	1
34	621-1749-20	POWER GEAR B	1	72	621-1752-20	DISC STOPPER	1
35	621-1750-20	POWER GEAR C	1	73	750-3471-20	SENSOR SPRING	1
36	621-1751-20	POWER GEAR D	1	74	781-1730-00	SCREW(M1.7x3)	1
37	621-0620-20	THREAD GEAR A	1	75	780-2025-00	SCREW(M2x2.5)	3
38	621-0621-20	THREAD GEAR B	1	76	716-1670-01	SCREW(M2x4)	4

REF No.	PART No.	DESCRIPTION	REF No.	PART No.	DESCRIPTION	REF No.	PART No.	DESCRIPTION
C1	168-1042-78	16V 0.1uF	C35	046-6812-58	680pF	R9	033-2211-15	1/10W 220 ohm
C3	163-2273-05	4V220uF	C36	168-1042-78	16V 0.1uF	R11	033-1051-15	1/10W 1M ohm
C4	168-1042-78	16V 0.1uF	C37	168-1042-78	16V 0.1uF	R12	119-2221-15	1/10W 2.2k ohm
C5	163-1073-35	16V100uF	C38	046-1522-58	1500pF	R13	033-2211-15	1/10W 220 ohm
C6	163-1073-35	16V100uF	C39	046-4722-58	4700pF	R14	033-2211-15	1/10W 220 ohm
C7	168-1042-78	16V 0.1uF	C40	046-1032-78	0.01uF	R16	033-2231-15	1/10W 22k ohm
C9	178-1052-78	1uF	C41	046-1532-78	0.015uF	R17	033-3921-15	1/10W 3.9k ohm
C10	042-0560-85	6.3V100uF	C43	168-1042-78	16V 0.1uF	R18	033-3341-15	1/10W 330k ohm
C11	046-4712-58	470pF	C47	045-4701-50	47pF	R19	033-5621-15	1/10W 5.6k ohm
C12	178-1052-78	1uF	C48	168-1042-78	16V 0.1uF	R21	033-2231-15	1/10W 22k ohm
C13	046-4712-58	470pF	C49	168-1042-78	16V 0.1uF	R22	033-4731-15	1/10W 47k ohm
C15	168-1042-78	16V 0.1uF	C50	042-0666-00	12.5V 22uF	R24	033-1041-15	1/10W 100k ohm
C16	168-4732-78	0.047uF	C51	046-5622-58	5600pF	R26	033-1531-15	1/10W 15k ohm
C17	168-4732-78	0.047uF	C52	178-1052-78	1uF	R27	033-4731-15	1/10W 47k ohm
C18	168-1042-78	16V 0.1uF	C53	045-1007-50	10pF	R28	033-1831-15	1/10W 18k ohm
C19	168-1042-78	16V 0.1uF	C54	045-1007-50	10pF	R29	033-6821-15	1/10W 6.8k ohm
C21	046-6822-58	6800pF	C55	178-1052-78	1uF	R30	033-8231-15	1/10W 82k ohm
C22	046-3332-78	0.033uF	D1	050-0140-63	1/32W 47k ohm x4J	R31	033-8231-15	1/10W 82k ohm
C24	178-1052-78	1uF	D1	001-0367-91	1SS226	R32	119-1001-15	1/10W 10 ohm
C25	168-1042-78	16V 0.1uF	IC1	051-6071-08	BA5825FP-E2	R33	033-2731-15	1/10W 27k ohm
C26	168-1042-78	16V 0.1uF	IC2	051-6399-00	TC94A15F	R34	033-2731-15	1/10W 27k ohm
C28	168-1042-78	16V 0.1uF	J101	074-1228-76	26P	R35	033-4731-15	1/10W 47k ohm
C29	168-1042-78	16V 0.1uF	J201	074-1138-65	15P	R36	033-2731-15	1/10W 27k ohm
C30	045-6801-50	68pF	J301	074-1138-60	10P	R37	032-0162-50	1/10W 0.51 ohm
C31	168-1042-78	16V 0.1uF	Q1	131-1188-50	2SB1188PQR	TM1	073-0768-00	TERMINAL
C32	168-1042-78	16V 0.1uF	Q2	131-1188-50	2SB1188PQR	X2	061-3534-90	16.92MHz
C33	046-1532-78	0.015uF	R1	117-6811-15	1/8W 680 ohm	PWB	039-2846-20	PWB(WITHOUT COMPONENT)
C34	168-1042-78	16V 0.1uF	R2	117-1001-15	1/8W 10 ohm			

LED PWB(BM2) section

REF No.	PART No.	DESCRIPTION	REF No.	PART No.	DESCRIPTION	REF No.	PART No.	DESCRIPTION
D1	001-7058-90	AN1105W-RR	Q1	060-4015-91	PS1192HB-33-TR	S2	013-7413-50	LIMIT
D2	001-7058-90	AN1105W-RR	Q2	060-4015-91	PS1192HB-33-TR	PWB	039-1944-21	PWB(WITHOUT COMPONENT)
J1	074-1138-60	10P	S1	013-7414-50	CHUCKING			