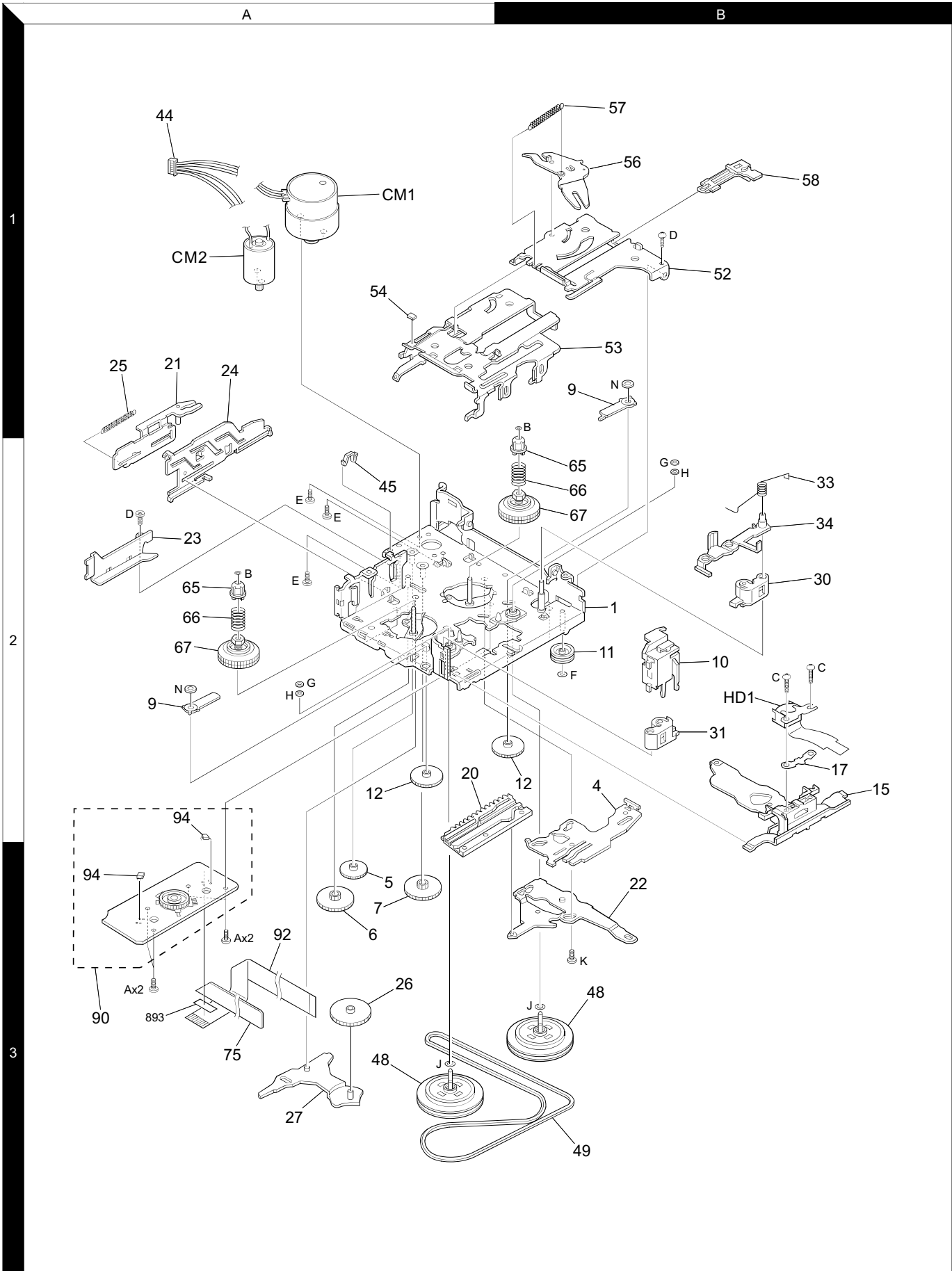


KRC-708/888/X858/PS988R

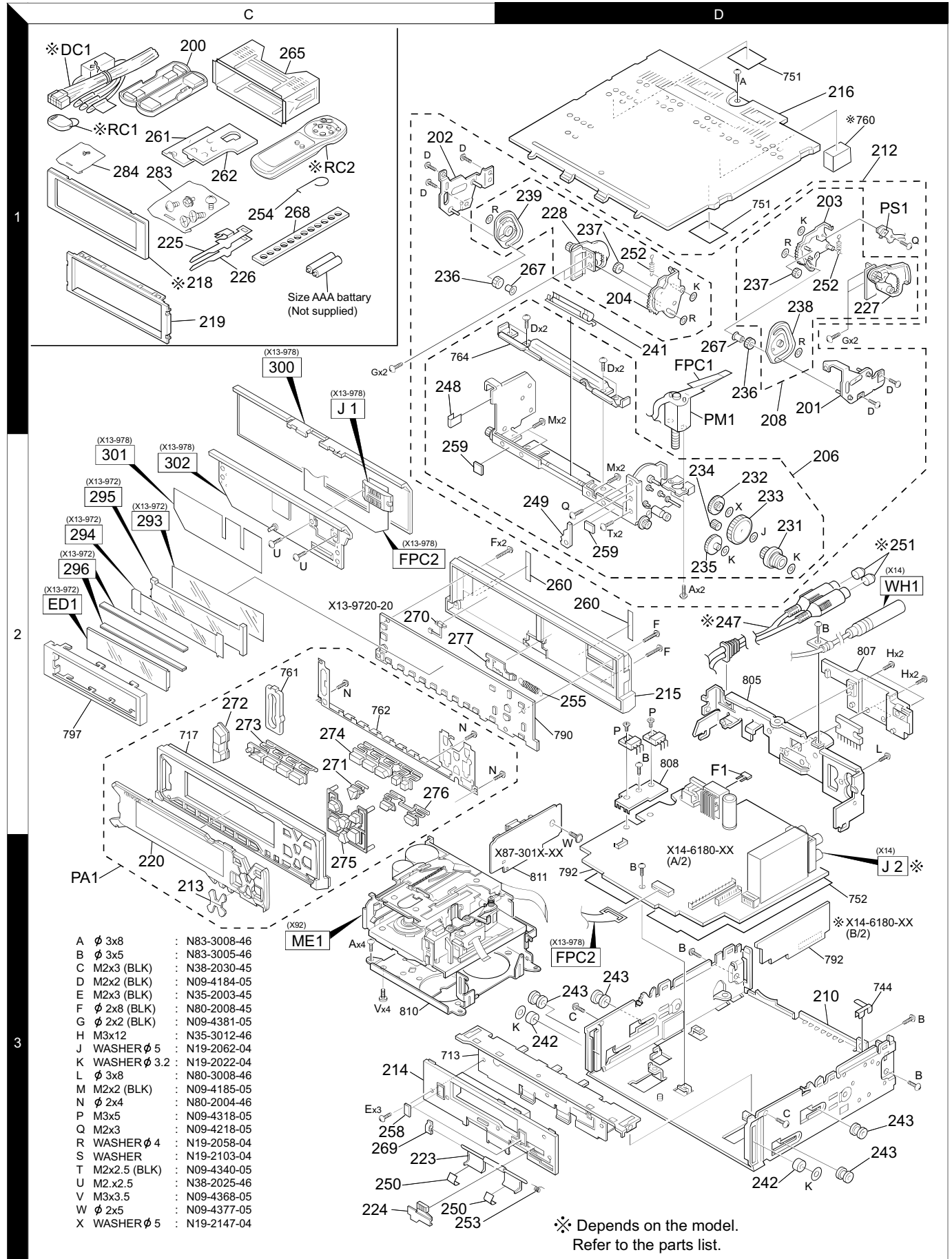
EXPLODED VIEW (MECHANISM)



Parts with exploded numbers larger than 700 are not supplied.

KRC-708/888/X858/PS988R

EXPLODED VIEW (UNIT)



Parts with exploded numbers larger than 700 are not supplied.

KRC-708/888/X858/PS988R

PARTS LIST

* New Parts

Parts without **Parts No.** are not supplied.

Les articles non mentionnés dans le **Parts No.** ne sont pas fournis.

Teile ohne **Parts No.** werden nicht geliefert.

Ref.No.	A d d	N e w	Parts No.	Description	Dest inati on	Ref.No.	A d d	N e w	Parts No.	Description	Dest inati on
KRC-708/888/X858/PS988R						237	2D		D13-1313-04	GEAR	
200	1C		A02-1489-03	PLASTIC CABINET ASSY		238	1D		D13-1455-13	GEAR ASSY	
201	1D		A10-4315-04	CHASSIS CALKING ASSY		239	1D		D13-1456-13	GEAR ASSY	
202	1C		A10-4317-04	CHASSIS CALKING ASSY		241	1D		D14-0678-04	ROLLER ASSY	
203	1D		A10-4319-04	CHASSIS CALKING ASSY		242	3D		D14-0716-14	ROLLER	
204	1D		A10-4321-04	CHASSIS CALKING ASSY		243	3D		D14-0723-04	ROLLER	
206	2D		A10-4534-23	CHASSIS ASSY		247	1D	*	E30-4800-05	CORD WITH PINPLUG	M1
208	1D		A10-4674-02	CHASSIS ASSY		DC1	1C		E30-4779-05	DC CORD	KK1M2
209	1D		A10-4676-02	CHASSIS ASSY		DC1	1C		E30-4781-05	DC CORD	M1
210	3D	*	A10-4662-03	CHASSIS ASSY		248	1D		F09-1244-04	SHEET	
212	1D		A10-4671-02	CHASSIS ASSY		249	2D	*	F09-1644-04	SHEET	
213	3C	*	A21-4010-03	DRESSING PANEL	K1M2	250	3C		F09-1292-04	SHEET	
213	3C		A21-4011-03	DRESSING PANEL	KM1	251	2D		F29-0049-05	INSULATING COVER	M1
214	3C		A22-2294-02	SUB PANEL		F1	2D		F52-0006-05	FUSE(MINI BLADE TYPE)	
215	2D		A46-1652-01	REAR COVER		F1	2D		F52-0011-05	FUSE(MINI BLADE TYPE)	
216	1D		A52-0741-12	TOP PLATE		252	1D		G01-2818-24	EXTENSION SPRING	
PA1	3C	*	A64-1858-02	PANEL ASSY	K	253	3C		G01-2920-14	TORSION COIL SPRING	
PA1	3C	*	A64-1859-02	PANEL ASSY	K1	254	1C		G01-2924-04	TORSION COIL SPRING	
PA1	3C	*	A64-1860-02	PANEL ASSY	M1	255	2D		G01-2984-04	EXTENSION SPRING	
PA1	3C	*	A64-1861-02	PANEL ASSY	M2	258	3C		G11-1797-04	CUSHION	
RC1	1C		A70-0886-15	REMOTE CONTROLLER ASSY(MASK)	M1	259	2D		G11-1850-04	CUSHION	
RC2	1C		A70-0883-05	REMOTE CONTROLLER ASSY(RC500)	M1M2K1	260	2D		G16-1147-04	SHEET	
RC2	1C		A70-0894-05	REMOTE CONTROLLER ASSY(RC520)	K	-			H10-4708-02	POLYSTYRENE FOAMED FIXTURE	
218	1C		B07-2139-03	ESCUTCHEON ASSY	K1M1M2	-			H21-1123-04	PROTECTION SHEET	
218	1C		B07-2146-03	ESCUTCHEON ASSY	K	-			H25-0329-04	PROTECTION BAG (280X450)	
219	1C		B07-2183-02	ESCUTCHEON(J-CAR)		-			H25-0337-04	PROTECTION BAG (180X300)	
220	3C	*	B10-3099-01	FRONT GLASS	K	-			H25-1108-04	PROTECTION BAG (100X300)	
220	3C	*	B10-3100-01	FRONT GLASS	K1	-			* H54-1674-03	ITEM CARTON CASE	K
220	3C	*	B10-3101-01	FRONT GLASS	M1	-			* H54-1675-03	ITEM CARTON CASE	K1
220	3C	*	B10-3102-01	FRONT GLASS	M2	-			* H54-1676-03	ITEM CARTON CASE	M1
-			B46-0100-50	WARRANTY CARD		-			* H54-1677-03	ITEM CARTON CASE	M2
-			B46-0606-04	ID CARD	KK1	-					
-			B46-0612-14	ID CARD	M2	-					
-			B46-0631-03	USER CARD	K	261	1C		J19-4876-04	BRACKET(L)	
-			B46-0632-04	ID CARD	M1	262	1C		J19-4875-04	BRACKET(R)	
-			B58-1278-04	CAUTION CARD		265	1C		J21-9491-03	MOUNTING HARDWARE ASSY	
-			B58-1309-04	CAUTION CARD	M1	267	1D		J31-1035-24	COLLAR	
-			B58-1321-14	CAUTION CARD	K1M1M2	268	1C		J54-0606-04	STAY	
-			* B64-1611-00	INST. MANUAL (ENG.FRE.SPA)	KK1	269	3C		J90-0923-14	GUIDE	
-			* B64-1617-00	INST. MANUAL (ENGLISH.CHINESE)	M1M2	FPC1	1D		J84-0062-23	FLEXIBLE PRINTED WIRING BOARD	
-			* B64-1622-00	INST. MANUAL (ARABIC)	M1M2	270	3C		K24-3540-03	KNOB(OPEN)	
223	3C		D10-4299-03	ARM		271	2C		K24-3541-04	KNOB(SRC)	
224	3C		D10-4300-24	LEVER		272	2C		K25-1095-03	KNOB(VOL)	
225	1C		D10-4302-14	LEVER(L)		273	2C		K25-1096-03	KNOB(P1-3)	
226	1C		D10-4301-14	LEVER(R)		274	2C		K25-1097-03	KNOB(P4-6)	
227	1D		D10-4448-03	ARM ASSY		275	2C		K25-1098-03	KNOB(FM/AM)	
228	1D	*	D10-4451-03	ARM ASSY		276	2C		K25-1099-03	KNOB(CLK)	
231	2D		D13-1302-64	GEAR ASSY		277	2C		K29-7010-04	KNOB ASSY(LOCK)	
232	2D		D13-1306-24	GEAR		283	1C		N99-1652-05	SCREW SET	
233	2D		D13-1403-03	GEAR		284	1C		N99-1683-05	SCREW SET	
234	2D		D13-1404-04	GEAR		A	3C		N83-3008-46	PAN HEAD TAPTITE SCREW	
235	2D		D13-1453-14	GEAR ASSY		B	3D		N83-3005-46	PAN HEAD TAPTITE SCREW	
236	1D		D13-1312-34	GEAR		C	3C		N38-2030-45	PAN HEAD MACHIN SCREW	
						D	1D		N09-4184-05	MACHINE SCREW (M2X2)	

E: Europe K: North America M: Other Areas

K : KRC-X858

K1 : KRC-708

M1 : KRC-PS988R

M2 : KRC-888

▲ indicates safety critical components.

PARTS LIST

* New Parts
 Parts without **Parts No.** are not supplied.
 Les articles non mentionnés dans le **Parts No.** ne sont pas fournis.
 Teile ohne **Parts No.** werden nicht geliefert.

Ref.No.	A d d	N e w	Parts No.	Description	Dest inati on
E	3C		N09-4384-05	BINDING HEAD TAPTITE SCREW	
F	2D		N80-2008-45	PAN HEAD TAPTITE SCREW	
G	1C		N09-4381-05	MACHINE SCREW (M2X2)	
J	2D		N19-2062-04	FLAT WASHER	
K	2D		N19-2022-04	FLAT WASHER	
M	1D		N09-4185-05	MACHINE SCREW (M2X2)	
N	2C		N80-2004-46	PAN HEAD TAPTITE SCREW	
Q	1D		N09-4218-05	MACHINE SCREW (M2X3)	
R	1D		N19-2058-04	FLAT WASHER	
S	1D		N19-2103-04	FLAT WASHER	
T	2D		N09-4340-05	MACHINE SCREW (M2X2.5)	
X	2D		N19-2147-04	FLAT WASHER	
PS1	1D		S68-0829-05	PUSH SWITCH	
PM1	1D		T42-0752-34	MOTOR ASSY	
SWITCH UNIT (X13-9720-XX)					
293	2C		B11-0970-04	REFLECTION SHEET	
294	2C	*	B11-1301-04	OPTICAL DIFFUSER	
295	2C	*	B19-2017-03	LIGHTING BOARD	
D2 -4			B30-1571-05	LED(WHITE)	
D5 -6			B30-1562-05	LED	
ED1	2C		B38-1034-05	LIQUID CRYSTAL	KK1M2
ED1	2C	*	B38-1035-05	LIQUID CRYSTAL	M1
C1			CK73FB1H681K	CHIP C 680PF	K
C2 -6			CK73FB1C104K	CHIP C 0.10UF	K
C7			CK73EB1C225K	CHIP C 2.2UF	K
C8			CK73FB1H681K	CHIP C 680PF	K
C9 -12			CK73FB1C104K	CHIP C 0.10UF	K
C13 -16			CK73FB1H103K	CHIP C 0.010UF	K
C13 -17			CK73FB1H103K	CHIP C 0.010UF	K
C19			CK73EB1C105K	CHIP C 1.0UF	K
296	2C		E29-1596-04	CONDUCTIVE RUBBER	
CN1			E59-0833-05	RECTANGULAR PLUG	
CP1			R90-1016-05	MULTI-COMP 470 X4	
R1			RK73FB2A433J	CHIP R 43KJ	1/10W
R2 -5			RK73FB2A222J	CHIP R 2.2K	J 1/10W
R6			RK73FB2A102J	CHIP R 1.0K	J 1/10W
R7 -8			RK73FB2A223J	CHIP R 22KJ	1/10W
R9			RK73FB2A101J	CHIP R 100J	1/10W
R10			RK73FB2A222J	CHIP R 2.2K	J 1/10W
R11			RK73FB2A433J	CHIP R 43K	J 1/10W
R12 -15			RK73FB2A222J	CHIP R 2.2K	J 1/10W
R16			RK73EB2B331J	CHIP R 330	J 1/8W
R17			RK73EB2B391J	CHIP R 390	J 1/8W
R18 -22			RK73EB2B331J	CHIP R 330	J 1/8W
R23 -24			RK73FB2A103J	CHIP R 10K	J 1/10W
R25			RK73EB2B331J	CHIP R 330	J 1/8W
R26			RK73EB2B122J	CHIP R 1.2K	J 1/8W
R27			RK73FB2A751J	CHIP R 750	J 1/10W
R28			RK73EB2B122J	CHIP R 1.2K	J 1/8W
R29			RK73FB2A102J	CHIP R 1.0K	J 1/10W
R30			RK73FB2A222J	CHIP R 2.2K	J 1/10W
R31			RK73FB2A223J	CHIP R 22K	J 1/10W
S1 -13			S70-0856-05	TACT SWITCH	
S14 -17			S70-0860-05	TACT SWITCH	
S18 -20			S70-0851-05	TACT SWITCH	
S21			S70-0857-05	TACT SWITCH	
S22			S68-0822-05	PUSH SWITCH	
S23			S70-0864-05	TACT SWITCH	
D1			MA3091-M	ZENER DIODE	
IC1			LC75808W	MOS-IC	
IC2		*	LC75878W	MOS-IC	M1
IC3			RS-171	ANALOGUE IC	
Q1 -2			DTA114EK	DIGITAL TRANSISTOR	
Q1 -2			UN2111	DIGITAL TRANSISTOR	
Q3 -4			2SD2114K	TRANSISTOR	
Q5			DTC114YK	DIGITAL TRANSISTOR	
Q5			KRC107S	TRANSISTOR	
Q5			UN2214	DIGITAL TRANSISTOR	
Q6 -7			DTC114YK	DIGITAL TRANSISTOR	
Q6 -7			KRC107S	TRANSISTOR	
Q6 -7			UN2214	DIGITAL TRANSISTOR	
Q8			2SC2412K	TRANSISTOR	
Q8			2SD601A	TRANSISTOR	
SUB-CIRCUIT UNIT (X13-9780-1X)					
300	2C	*	B03-3056-12	DRESSING PLATE	K
300	2C		B03-3057-02	DRESSING PLATE	KK1M1M2
J1			E58-0895-05	RECTANGULAR RECEPTACLE	
301	2C	*	G16-1146-04	SHEET	
302	2C	*	J21-9540-04	MOUNTING HARDWARE ASSY	
FPC2	2C		J84-0106-02	FLEXIBLE PRINTED WIRING BOARD	
U	2C		N38-2025-46	PAN HEAD MACHIN SCREW	
SYNTHESIZER UNIT (X14-6180-XX)					
C1 -2		*	C92-0685-05	ELECTROLYTIC CAPACITOR	
C3			C92-0092-05	CHIP C 47UF	6.3WV
C4			CK73FB1H103K	CHIP C 0.010UF	K
C5 -6			C90-2525-05	NP-ELECT 2.2UF	35WV
C7 -10			CK73EB1C225K	CHIP C 2.2UF	K
C11 -18			CK73FB1C274K	CHIP C 0.27UF	K
C19 -22			CK73FB1C104K	CHIP C 0.10UF	K
C25 -30			C92-0671-05	ELECTRO 10UF	16WV
C27 -30			C92-0671-05	ELECTRO 10UF	16WV
C31 -34			C90-5297-05	NP-ELECT 0.22UF	50WV
C43 -44			C90-2597-05	ELECTRO 10UF	16WV
C47			C90-2597-05	ELECTRO 10UF	16WV
C48			C90-2554-05	ELECTRO 10UF	16WV
C51 -52			C90-2597-05	ELECTRO 10UF	16WV
C53 -56			CK73FB1H102K	CHIP C 1000PF	K
C53 -58			CK73FB1H102K	CHIP C 1000PF	K
C59 -61			CK73FB1H103K	CHIP C 0.010UF	K
C59 -60			CK73FB1H103K	CHIP C 0.010UF	K
C81			C90-2822-05	ELECTRO 3900UF	16WV
C81			C90-5242-05	ELECTRO 3300UF	16WV
C82			C90-2926-05	ELECTRO 220UF	16WV

E: Europe K: North America M: Other Areas

K : KRC-X858
 K1 : KRC-708
 M1 : KRC-PS988R
 M2 : KRC-888

△ indicates safety critical components.

PARTS LIST

* New Parts

Parts without **Parts No.** are not supplied.

Les articles non mentionnés dans le **Parts No.** ne sont pas fournis.

Teile ohne **Parts No.** werden nicht geliefert.

(X14-6180-XX)

Ref.No.	A d d	N e w	Parts No.	Description	Dest inati on
C83			CK73FB1H103K	CHIP C 0.010UF K	
C84			C90-2594-05	ELECTRO 10UF 10WV	
C85			CE04CW0J101M	ELECTRO 100UF 6.3WV	
C86			CK73EB1C105K	CHIP C 1.0UF K	
C87			CE04CW1A221M	ELECTRO 220UF 10WV	
C88			CK73FB1H102K	CHIP C 1000PF K	
C89			CK73FB1H103K	CHIP C 0.010UF K	
C90			C90-2598-05	ELECTRO 3.3UF 25WV	
C91			CK73FB1E683K	CHIP C 0.068UF K	
C92			C90-2602-05	ELECTRO 0.10UF 50WV	
C93			CK73FB1H103K	CHIP C 0.010UF K	
C94			C92-0686-05	ELECTRO 1UF 50WV	
C95			CK73FB1H103K	CHIP C 0.010UF K	M1
C98_99			CK73FB1C224K	CHIP C 0.22UF K	
C100			CE04CW1C470M	ELECTRO 47UF 16WV	
C111			C90-2558-05	ELECTRO 1.0UF 50WV	
C112			C90-2564-05	ELECTRO 100UF 16WV	
C113			C90-2935-05	ELECTRO 1.0UF 50WV	
C114			C90-2608-05	ELECTRO 1.0UF 50WV	
C115			C90-2595-05	ELECTRO 4.7UF 16WV	KM1
C116			C90-2962-05	ELECTRO 100UF 16WV	KM1
C117-120			CK73EB1C225K	CHIP C 2.2UF K	KM1
C121			CE04CW1C330M	ELECTRO 33UF 16WV	KM1
C122			CK73FB1H223K	CHIP C 0.022UF K	KM1
C123			C90-2597-05	ELECTRO 10UF 16WV	KM1
C124			CK73FB1H103K	CHIP C 0.010UF K	KM1
C125			C90-2597-05	ELECTRO 10UF 16WV	KM1
C126			CK73EB1C225K	CHIP C 2.2UF K	KM1
C131			CK73FB1H103K	CHIP C 0.010UF K	
C132			CE04CW1A101M	ELECTRO 100UF 10WV	KK1M2
C132			CE04CW1A470M	ELECTRO 47UF 10WV	M1
C133			C92-0686-05	ELECTRO 1UF 50WV	KK1M2
C133			C92-0687-05	ELECTRO 2.2UF 50WV	M1
C135			CK73EB1C474K	CHIP C 0.47UF K	
C136			CC73FCH1H121J	CHIP C 120PF J	
C137			CK73FB1C104K	CHIP C 0.10UF K	
C138			CK73FB1C823K	CHIP C 0.082UF K	
C142			CE04CW1A470M	ELECTRO 47UF 10WV	K
C142			CE04CW1E220M	ELECTRO 22UF 25WV	M1
C143			C92-0686-05	ELECTRO 1UF 50WV	KM1
C151			CK73FB1H103K	CHIP C 0.010UF K	
C152			CE04CW1A101M	ELECTRO 100UF 10WV	
C153			CK73FB1H103K	CHIP C 0.010UF K	
C155			CK73EB1C105K	CHIP C 1.0UF K	M1
C156			CK73FB1H183K	CHIP C 0.018UF K	
C157			CK73FB1E273K	CHIP C 0.027UF K	
C158			CK73FB1H103K	CHIP C 0.010UF K	
C159			CE04CW1A101M	ELECTRO 100UF 10WV	
C160			CK73FB1H103K	CHIP C 0.010UF K	
C161			C90-2594-05	ELECTRO 10UF 10WV	
C162			CK73FB1H471K	CHIP C 470PF K	M1
C164			CK73FB1H103K	CHIP C 0.010UF K	M1
C190			C90-2597-05	ELECTRO 10UF 16WV	
C191			CK73FB1H103K	CHIP C 0.010UF K	
C201			CK73FB1H822K	CHIP C 8200PF K	M1

Ref.No.	A d d	N e w	Parts No.	Description	Dest inati on
C202			CK73FB1H222K	CHIP C 2200PF K	M1
C203			CK73FB1H102K	CHIP C 1000PF K	M1
C204			CK73FB1H223K	CHIP C 0.022UF K	M1
C205			CK73FB1H471K	CHIP C 470PF K	M1
C206			CC73FCH1H820J	CHIP C 82PF J	M1
C207			CC73FCH1H180J	CHIP C 18PF J	M1
C208,209			CK73FB1H122K	CHIP C 1200PF K	M1
C210			CC73FCH1H060D	CHIP C 6.0PF D	M1
C211			CK73FB1H471K	CHIP C 470PF K	M1
C212			CC73FCH1H121J	CHIP C 120PF J	M1
C214			C90-2597-05	ELECTRO 10UF 16WV	M1
C221			CC73FCH1H100D	CHIP C 10PF D	KM1
C222			C90-2592-05	ELECTRO 10UF 6.3WV	KM1
C223			CC73FCH1H100D	CHIP C 10PF D	KM1
C224			CC73FCH1H271J	CHIP C 270PF J	KM1
C225			CK73FB1H103K	CHIP C 0.010UF K	KM1
C226			C90-2592-05	ELECTRO 10UF 6.3WV	KM1
C251			CK73FB1H103K	CHIP C 0.010UF K	
C252			CE04CW0J470M	ELECTRO 47UF 6.3WV	
C253			CC73FCH1H240J	CHIP C 24PF J	
C254			CC73FCH1H270J	CHIP C 27PF J	
C256			CK73EB1C105K	CHIP C 1.0UF K	
C257			CK73FB1H102K	CHIP C 1000PF K	M1
C257			CK73FB1H472K	CHIP C 4700PF K	KK1M2
CN1			E40-9557-05	FLAT CABLE CONNECTOR	
CN2			E40-5029-05	FLAT CABLE CONNECTOR	
CN3			E40-9666-05	PIN ASSY	
CN4			E40-9665-05	PIN ASSY	
CN6			E40-3239-05	PIN ASSY	M1
CN8			E40-9080-05	PIN ASSY	KM1
CN9			E40-9099-05	SOCKET FOR PIN ASSY	KM1
J1			E58-0836-05	RECTANGULAR RECEPTACLE	
J2			E63-0853-05	PIN JACK	K1M2
J2			E63-0854-05	PIN JACK	KM1
J3			E56-0826-05	CYLINDRICAL RECEPTACLE	
WH1			E30-4653-05	CORD WITH PLUG	
WH1		*	E30-4803-05	CORD WITH PLUG	
L1			L33-1039-05	LINE FILTER COIL	
L2			L39-1027-05	TRAP COIL	
L3 -8			L40-4795-34	SMALL FIXED INDUCTOR	
L9			L92-0075-05	CHIP FERRITE	
X1			L78-0683-05	RESONATOR	
X2			L77-2738-05	CRYSTAL RESONATOR	
X3			L77-2002-05	CRYSTAL RESONATOR	KM1
B		2D	N83-3005-46	PAN HEAD TAPTITE SCREW	
H		2D	N35-3012-46	BINDING HEAD MACHINE SCREW	
L		2D	N80-3008-46	PAN HEAD TAPTITE SCREW	
P		2D	N09-4318-05	MACHINE SCREW (M3X5)	
CP1			R90-0724-05	MULTI-COMP 1K X4	
CP3			R90-0722-05	MULTI-COMP 2.2K X4	
CP4_5			R90-0719-05	MULTI-COMP 4.7K X2	
CP6			R90-0718-05	MULTI-COMP 4.7K X4	
CP9			R90-0737-05	MULTI-COMP 100K X2	

E: Europe K: North America M: Other Areas

K : KRC-X858

K1 : KRC-708

M1 : KRC-PS988R

M2 : KRC-888

△ indicates safety critical components.

PARTS LIST

* New Parts

Parts without **Parts No.** are not supplied.

Les articles non mentionnés dans le **Parts No.** ne sont pas fournis.

Teile ohne **Parts No.** werden nicht geliefert.

(X14-6180-XX)

Ref.No.	A d d	N e w	Parts No.	Description	Dest inati on	Ref.No.	A d d	N e w	Parts No.	Description	Dest inati on
CP10			R90-0718-05	MULTI-COMP 4.7K X4		R114			RK73FB2A561J	CHIP R 560 J 1/10W	
R1 ,2			RK73EB2B100J	CHIP R 10 J 1/8W		R115			RK73FB2A122J	CHIP R 1.2K J 1/10W	
R3			RK73EB2B4R7J	CHIP R 4.7 J 1/8W		R116			RK73FB2A104J	CHIP R 100K J 1/10W	
R5 -10			RK73FB2A361J	CHIP R 360 J 1/10W	M1	R117			RK73EB2B102J	CHIP R 1.0K J 1/8W	
R7 -10			RK73FB2A361J	CHIP R 360 J 1/10W	KK1M2	R118			R92-0365-05	CHIP R 1.0K J 1/2W	
R11 -14			RK73FB2A472J	CHIP R 4.7K J 1/10W		R119			RK73FB2A103J	CHIP R 10K J 1/10W	
R21 ,22			RK73FB2A472J	CHIP R 4.7K J 1/10W		R120			RK73FB2A122J	CHIP R 1.2K J 1/10W	
R23 ,24			RK73FB2A222J	CHIP R 2.2K J 1/10W	KM1	R121,122			R92-2104-05	CHIP R 2.2 J 1W	
R23 ,24			RK73FB2A223J	CHIP R 22K J 1/10W	K1M2	R124			RK73FB2A751J	CHIP R 750 J 1/10W	
R27 ,28			RK73FB2A223J	CHIP R 22K J 1/10W	KM1	R131			RK73FB2A333J	CHIP R 33K J 1/10W	
R29 ,30			RK73FB2A103J	CHIP R 10K J 1/10W	KM1	R132			RK73FB2A102J	CHIP R 1.0K J 1/10W	
R31 ,32			RK73FB2A820J	CHIP R 82 J 1/10W	KM1	R133			RK73FB2A751J	CHIP R 750 J 1/10W	
R33 ,34			RK73FB2A221J	CHIP R 220 J 1/10W	K1M2	R134			RK73FB2A431J	CHIP R 430 J 1/10W	
R35 ,36			RK73FB2A472J	CHIP R 4.7K J 1/10W		R135			RK73FB2A101J	CHIP R 100 J 1/10W	
R37 ,38			RK73FB2A222J	CHIP R 2.2K J 1/10W	KM1	R136			RK73FB2A273J	CHIP R 27K J 1/10W	
R37 ,38			RK73FB2A223J	CHIP R 22K J 1/10W	K1M2	R141			RK73FB2A102J	CHIP R 1.0K J 1/10W	KM1
R41 ,42			RK73FB2A223J	CHIP R 22K J 1/10W	KM1	R142			RK73FB2A750J	CHIP R 75 J 1/10W	KM1
R43 ,44			RK73FB2A103J	CHIP R 10K J 1/10W	KM1	R143			RK73FB2A4R7J	CHIP R 4.7 J 1/10W	KM1
R45 ,46			RK73FB2A820J	CHIP R 82 J 1/10W	KM1	R144			RK73FB2A104J	CHIP R 100K J 1/10W	KM1
R47 ,48			RK73FB2A221J	CHIP R 220 J 1/10W	K1M2	R145			RK73FB2A272J	CHIP R 2.7K J 1/10W	KM1
R49 ,50			RK73GB1J472J	CHIP R 4.7K J 1/16W	M1	R146			RK73FB2A470J	CHIP R 47 J 1/10W	KM1
R51 ,52			RK73FB2A222J	CHIP R 2.2K J 1/10W	M1	R147			RK73FB2A752J	CHIP R 7.5K J 1/10W	KM1
R55 ,56			RK73FB2A223J	CHIP R 22K J 1/10W	M1	R148			RK73FB2A563J	CHIP R 56K J 1/10W	KM1
R57 ,58			RK73FB2A103J	CHIP R 10K J 1/10W	M1	R149			RK73FB2A913J	CHIP R 91K J 1/10W	KM1
R59 ,60			RK73FB2A820J	CHIP R 82 J 1/10W	M1	R150			RK73FB2A103J	CHIP R 10K J 1/10W	KM1
R71			RK73EB2B101J	CHIP R 100 J 1/8W		R151			RK73FB2A470J	CHIP R 47 J 1/10W	KM1
R72			RK73EB2B222J	CHIP R 2.2K J 1/8W		R152,153			RK73FB2A913J	CHIP R 91K J 1/10W	KM1
R73			RK73EB2B362J	CHIP R 3.6K J 1/8W		R161,162			RK73FB2A472J	CHIP R 4.7K J 1/10W	
R74 -76			RK73EB2B102J	CHIP R 1.0K J 1/8W		R165,166			RK73EB2B102J	CHIP R 1.0K J 1/8W	
R77			RK73EB2B101J	CHIP R 100 J 1/8W		R167,168			RK73FB2A223J	CHIP R 22K J 1/10W	
R78			RK73EB2B470J	CHIP R 47 J 1/8W		R173			RK73FB2A105J	CHIP R 1.0M J 1/10W	M1
R79 -83			RK73FB2A104J	CHIP R 100K J 1/10W		R174			RK73FB2A272J	CHIP R 2.7K J 1/10W	
R87 ,88			R92-3052-05	METAL GLAZE RESISTOR		R181			RK73FB2A153J	CHIP R 15K J 1/10W	M1
R89			R92-3032-05	CHIP R 4.3K D 1/10W		R191			RK73FB2A104J	CHIP R 100K J 1/10W	
R90			RK73FB2A153J	CHIP R 15K J 1/10W		R192			RK73FB2A471J	CHIP R 470 J 1/10W	
R92			RK73EB2B221J	CHIP R 220 J 1/8W		R193			RK73FB2A104J	CHIP R 100K J 1/10W	
R93			RK73FB2A223J	CHIP R 22K J 1/10W		R194			RK73FB2A471J	CHIP R 470 J 1/10W	
R94			RK73FB2A101J	CHIP R 100 J 1/10W		R195-197			RK73FB2A472J	CHIP R 4.7K J 1/10W	
R95			RK73FB2A103J	CHIP R 10K J 1/10W		R198			RK73FB2A473J	CHIP R 47K J 1/10W	
R96			RK73FB2A222J	CHIP R 2.2K J 1/10W		R201			RK73FB2A103J	CHIP R 10K J 1/10W	M1
R97 ,98			RK73FB2A123J	CHIP R 12K J 1/10W		R202			RK73FB2A222J	CHIP R 2.2K J 1/10W	M1
R99			RK73FB2A562J	CHIP R 5.6K J 1/10W		R203			RK73FB2A104J	CHIP R 100K J 1/10W	M1
R100			RD14DB2H332J	SMALL-RD 3.3K J 1/2W		R204			RK73FB2A103J	CHIP R 10K J 1/10W	M1
R101,102			RK73EB2B104J	CHIP R 100K J 1/8W		R205			RK73FB2A562J	CHIP R 5.6K J 1/10W	M1
R103			RK73FB2A183J	CHIP R 18K J 1/10W		R206			RK73FB2A103J	CHIP R 10K J 1/10W	M1
R104			RK73EB2B472J	CHIP R 4.7K J 1/8W	KK1M2	R207			RK73FB2A562J	CHIP R 5.6K J 1/10W	M1
R105			R92-0366-05	CHIP R 560 J 1W	KK1M2	R208			RK73FB2A153J	CHIP R 15K J 1/10W	M1
R106			RK73FB2A223J	CHIP R 22K J 1/10W	KK1M2	R209			RK73FB2A333J	CHIP R 33K J 1/10W	M1
R107			RK73EB2B472J	CHIP R 4.7K J 1/8W		R210			RK73FB2A272J	CHIP R 2.7K J 1/10W	M1
R108			R92-0365-05	CHIP R 1.0K J 1/2W		R211			RK73FB2A823J	CHIP R 82K J 1/10W	M1
R109			RK73FB2A223J	CHIP R 22K J 1/10W		R212			RK73FB2A220J	CHIP R 22 J 1/10W	M1
R110			R92-0365-05	CHIP R 1.0K J 1/2W		R213-216			RK73FB2A103J	CHIP R 10K J 1/10W	M1
R111			RK73EB2B103J	CHIP R 10K J 1/8W		R221			RK73FB2A100J	CHIP R 10 J 1/10W	KM1
R112			RK73FB2A104J	CHIP R 100K J 1/10W		R251			RK73FB2A473J	CHIP R 47K J 1/10W	K1
R113			RK73EB2B752J	CHIP R 7.5K J 1/8W	M1	R252			RK73FB2A473J	CHIP R 47K J 1/10W	KM1

E: Europe K: North America M: Other Areas

K : KRC-X858

K1 : KRC-708

M1 : KRC-PS988R

M2 : KRC-888

 indicates safety critical components.

PARTS LIST

* New Parts

Parts without **Parts No.** are not supplied.

Les articles non mentionnés dans le **Parts No.** ne sont pas fournis.

Teile ohne **Parts No.** werden nicht geliefert.

(X14-6180-XX)

Ref.No.	A d d	N e w	Parts No.	Description	Dest inati on	Ref.No.	A d d	N e w	Parts No.	Description	Dest inati on
R252,253			RK73FB2A473J	CHIP R 47K J 1/10W	M2	W1 -4			R92-2052-05	CHIP R 0 J 1/10W	K1M2
R254			RK73FB2A473J	CHIP R 47K J 1/10W	KK1M1	W5 ,6			R92-2052-05	CHIP R 0 J 1/10W	K
R256			RK73FB2A473J	CHIP R 47K J 1/10W		W7 ,8			R92-2052-05	CHIP R 0 J 1/10W	K1M1M2
R257,258			RK73GB1J473J	CHIP R 47K J 1/16W		W11			R92-2053-05	CHIP R 0 J 1/8W	
R259			RK73GB1J472J	CHIP R 4.7K J 1/16W	KK1M2	W21 ,22			R92-2052-05	CHIP R 0 J 1/10W	KK1M2
R260,261			RK73FB2A102J	CHIP R 1.0K J 1/10W		W31 ,32			R92-2052-05	CHIP R 0 J 1/10W	KK1M2
R264			RK73FB2A222J	CHIP R 2.2K J 1/10W		PH1			T95-0231-05	OPTO ISOLATOR	
R265			RK73FB2A225J	CHIP R 2.2M J 1/10W		D1			RD6.8MW	ZENER DIODE	
R266-268			RK73FB2A102J	CHIP R 1.0K J 1/10W		D3			MA3062-M	ZENER DIODE	
R269,270			RK73FB2A562J	CHIP R 5.6K J 1/10W		D5			DAP202K	DIODE	
R271			RK73GB1J104J	CHIP R 100K J 1/16W		D5			MA152WA	DIODE	KK1M2
R273			RK73GB1J222J	CHIP R 2.2K J 1/16W		D6			DAP202U	DIODE	
R274			RK73GB1J102J	CHIP R 1.0K J 1/16W		D6			MA142WA	DIODE	KK1M2
R275			RK73FB2A472J	CHIP R 4.7K J 1/10W		D6 ,7			DAP202U	DIODE	M1
R278			RK73FB2A102J	CHIP R 1.0K J 1/10W		D6 ,7			MA142WA	DIODE	M1
R279			RK73FB2A222J	CHIP R 2.2K J 1/10W	KM1	D11 -18			M1F60	DIODE	
R280			RK73FB2A104J	CHIP R 100K J 1/10W	K1M2	D21			MA3062WA	ZENER DIODE	
R281,282			RK73GB1J102J	CHIP R 1.0K J 1/16W		D22			MA3062-M	ZENER DIODE	
R286			RK73FB2A473J	CHIP R 47K J 1/10W	M1	D31			RM10ZLF	DIODE	
R287			RK73FB2A102J	CHIP R 1.0K J 1/10W	M1	D32			1SR139-400	DIODE	
R288			RK73FB2A223J	CHIP R 22K J 1/10W	M1	D33			MA4056(N)-M	ZENER DIODE	
R289			RK73FB2A104J	CHIP R 100K J 1/10W		D35			M1F60	DIODE	M1
R291			RK73FB2A124J	CHIP R 120K J 1/10W	M1	D36			MA4056(N)-M	ZENER DIODE	
R291			RK73FB2A164J	CHIP R 160K J 1/10W	KK1M2	D37			MA4062(N)-M	ZENER DIODE	
R292			RK73GB1J472J	CHIP R 4.7K J 1/16W		D38			M1F60	DIODE	KK1M2
R293			RK73FB2A472J	CHIP R 4.7K J 1/10W	M1	D39 ,40			1SR139-400	DIODE	KK1M2
R294			RK73FB2A223J	CHIP R 22K J 1/10W	KK1M2	D40			1SR139-400	DIODE	M1
R294			RK73FB2A273J	CHIP R 27K J 1/10W	M1	D41			DAN202K	DIODE	
R295,296			RK73FB2A102J	CHIP R 1.0K J 1/10W		D41			MA152WK	DIODE	
R297			RK73FB2A472J	CHIP R 4.7K J 1/10W	M1	D42			MA3220-H	ZENER DIODE	
R301			RK73FB2A470J	CHIP R 47 J 1/10W		D43			MA3056-M	ZENER DIODE	
R302			RK73FB2A105J	CHIP R 1.0M J 1/10W		D44			1SR139-400	DIODE	
R303			RK73FB2A184J	CHIP R 180K J 1/10W		D45			MA3075-M	ZENER DIODE	
R304			RK73FB2A102J	CHIP R 1.0K J 1/10W		D46			MA3036-H	ZENER DIODE	
R305			RK73GB1J222J	CHIP R 2.2K J 1/16W		D50 ,51			DAP202U	DIODE	
R307			RK73FB2A472J	CHIP R 4.7K J 1/10W	M1	D50 ,51			MA142WA	DIODE	
R313			RK73GB1J472J	CHIP R 4.7K J 1/16W		D52			DAN202K	DIODE	
R314,315			RK73FB2A433J	CHIP R 43K J 1/10W		D52			MA152WK	DIODE	
R316			RK73FB2A103J	CHIP R 10K J 1/10W		D53			HZM11N(B1)	ZENER DIODE	
R317			RK73FB2A473J	CHIP R 47K J 1/10W		D53			MA3110-L	ZENER DIODE	
R318			RK73GB1J473J	CHIP R 47K J 1/16W		D55			HZM11N(B1)	ZENER DIODE	KM1
R321			RK73FB2A471J	CHIP R 470 J 1/10W		D55			MA3110-L	ZENER DIODE	KK1M2
R322			RK73FB2A104J	CHIP R 100K J 1/10W		D56			MA3056-M	ZENER DIODE	KM1
R324			RK73GB1J472J	CHIP R 4.7K J 1/16W		D61			IMSA-6801	SURGE ABSORBER	
R325,326			RK73FB2A473J	CHIP R 47K J 1/10W	K1M2	D71			DAN202K	DIODE	M1
R327,328			RK73FB2A102J	CHIP R 1.0K J 1/10W	KM1	D71			MA152WK	DIODE	M1
R329			RK73GB1J472J	CHIP R 4.7K J 1/16W	M1	D72			MA3062-M	ZENER DIODE	
R330			RK73GB1J103J	CHIP R 10K J 1/16W		D73 ,74			DA204K	DIODE	
R331,332			RK73GB1J472J	CHIP R 4.7K J 1/16W		D73 ,74			KDS226	DIODE	
R333			RK73FB2A104J	CHIP R 100K J 1/10W	KK1M2	D75			MA3062WA	ZENER DIODE	
R334			RK73GB1J223J	CHIP R 22K J 1/16W		D76 -79			DA204K	DIODE	
R335-337			RK73EB2B102J	CHIP R 1.0K J 1/8W		D76 -79			KDS226	DIODE	
R338			RK73EB2B471J	CHIP R 470 J 1/8W		D81			HZM4.7N(B2)	ZENER DIODE	M1
R339-342			RK73EB2B102J	CHIP R 1.0K J 1/8W							
VR1			R32-0229-05	SEMI FIXED VARIABLE RESISTOR	M1						

E: Europe K: North America M: Other Areas

K : KRC-X858

K1 : KRC-708

M1 : KRC-PS988R

M2 : KRC-888

 indicates safety critical components.

PARTS LIST

* New Parts

Parts without **Parts No.** are not supplied.

Les articles non mentionnés dans le **Parts No.** ne sont pas fournis.

Teile ohne **Parts No.** werden nicht geliefert.

(X14-6180-XX)

Ref.No.	A d d	N e w	Parts No.	Description	Dest inati on	Ref.No.	A d d	N e w	Parts No.	Description	Dest inati on
D81			MA3047-M	ZENER DIODE	M1	Q36			DTA124EK	DIGITAL TRANSISTOR	
D82			DAN202K	DIODE		Q36			KRA103S	TRANSISTOR	
D82			MA152WK	DIODE		Q36			UN2112	DIGITAL TRANSISTOR	
IC1			UPD784217GC103	MI-COM IC	KK1M2	Q37			2SC2412K	TRANSISTOR	
IC1		*	UPD784218GC105	MI-COM IC	M1	Q37			2SD601A	TRANSISTOR	
IC2			TDA7400	ANALOGUE IC		Q38			2SB1443	TRANSISTOR	
IC3			M5237ML	IC(VOLTAGE REGULATOR)		Q39			DTA123JK	DIGITAL TRANSISTOR	
IC4			TDA7386	ANALOGUE IC		Q40			DTC124EUA	DIGITAL TRANSISTOR	
IC5			TDA7401	ANALOGUE IC	KM1	Q40			UN5212	DIGITAL TRANSISTOR	
IC6			ICL7660SIBA	ANALOGUE IC	K	Q41			DTC114YUA	DIGITAL TRANSISTOR	
IC6			TC7662BEOA	ANALOGUE IC	M1	Q41			UN5214	DIGITAL TRANSISTOR	
IC7 -9			NJM4565M-TE2	ANALOGUE IC	M1	Q42			2SB1443	TRANSISTOR	
IC7 ,8			NJM4565M-TE2	ANALOGUE IC	K	Q43			DTC114YK	DIGITAL TRANSISTOR	
IC10			TC74HC02AF	IC		Q43			KRC107S	TRANSISTOR	
IC11			TDA7479D	ANALOGUE IC	KM1	Q43			UN2214	DIGITAL TRANSISTOR	
IC12			NJM4565M-TE2	ANALOGUE IC	M1	Q44			DTA124EUA	DIGITAL TRANSISTOR	
IC13			BA6238A	ANALOGUE IC		Q44			UN5112	DIGITAL TRANSISTOR	
IC14			BR24C01AF	MEMORY IC		Q45			2SA1037K	TRANSISTOR	
IC14			M24C01-WMN6T	MEMORY IC		Q51			DTC114YK	DIGITAL TRANSISTOR	
IC15			S-80830ANNP	MOS-IC		Q51			KRC107S	TRANSISTOR	
Q1 -4			2SC2412K	TRANSISTOR	KK1M2	Q51			UN2214	DIGITAL TRANSISTOR	
Q1 -4			2SD601A	TRANSISTOR	KK1M2	Q55			2SC2412K	TRANSISTOR	KM1
Q1 -6			2SC2412K	TRANSISTOR	M1	Q55			2SD601A	TRANSISTOR	KM1
Q1 -6			2SD601A	TRANSISTOR	M1	Q56			2SB1443	TRANSISTOR	KM1
Q18			DTC144EK	DIGITAL TRANSISTOR		Q57			2SC2412K	TRANSISTOR	KM1
Q18			KRC104S	TRANSISTOR		Q57			2SD601A	TRANSISTOR	KM1
Q18			UN2213	DIGITAL TRANSISTOR		Q58 ,59			2SA1037K	TRANSISTOR	KM1
Q19			DTA124EK	DIGITAL TRANSISTOR		Q60 ,61			2SC2412K	TRANSISTOR	KM1
Q19			KRA103S	TRANSISTOR		Q60 ,61			2SD601A	TRANSISTOR	KM1
Q19			UN2112	DIGITAL TRANSISTOR		Q62			2SA1037K	TRANSISTOR	KM1
Q20			2SB1565F(E,F)	TRANSISTOR		Q71			DTA124EK	DIGITAL TRANSISTOR	
Q21			2SC2412K	TRANSISTOR		Q71			KRA103S	TRANSISTOR	
Q21			2SD601A	TRANSISTOR		Q71			UN2112	DIGITAL TRANSISTOR	
Q22			2SB1565F(E,F)	TRANSISTOR		Q72			DTC124EK	DIGITAL TRANSISTOR	
Q23			2SA1037K	TRANSISTOR		Q72			KRC103S	TRANSISTOR	
Q24 ,25			2SC2412K	TRANSISTOR		Q72			UN2212	DIGITAL TRANSISTOR	
Q24 ,25			2SD601A	TRANSISTOR		Q82			DTC124EK	DIGITAL TRANSISTOR	M1
Q26			2SB1277(Q,R)	TRANSISTOR	KK1M2	Q82			KRC103S	TRANSISTOR	M1
Q27			DTC114YK	DIGITAL TRANSISTOR	KK1M2	Q82			UN2212	DIGITAL TRANSISTOR	M1
Q27			KRC107S	TRANSISTOR	KK1M2	Q86 ,87			DTC124EK	DIGITAL TRANSISTOR	
Q27			UN2214	DIGITAL TRANSISTOR	KK1M2	Q86 ,87			KRC103S	TRANSISTOR	
Q28			2SB1277(Q,R)	TRANSISTOR		Q86 ,87			UN2212	DIGITAL TRANSISTOR	
Q29			2SA1037K	TRANSISTOR		Q88 ,89			2SB1188(Q,R)	TRANSISTOR	
Q30			DTA124EK	DIGITAL TRANSISTOR		Q91			2SC4081	TRANSISTOR	M1
Q30			KRA103S	TRANSISTOR		Q91			2SD1819A	TRANSISTOR	M1
Q30			UN2112	DIGITAL TRANSISTOR		Q92			DTA124EUA	DIGITAL TRANSISTOR	M1
Q31			DTC114EK	DIGITAL TRANSISTOR		Q92			UN5112	DIGITAL TRANSISTOR	M1
Q31			UN2211	DIGITAL TRANSISTOR		Q93			DTC114TK	DIGITAL TRANSISTOR	M1
Q32			DTC144EK	DIGITAL TRANSISTOR		Q93			UN2215	DIGITAL TRANSISTOR	M1
Q32			KRC104S	TRANSISTOR		TH1			PTH9C42BD471Q	POSITIVE RESISTOR	
Q32			UN2213	DIGITAL TRANSISTOR		A1			X86-3100-10	TUNER UNIT	KK1M2
Q33			2SD1760	TRANSISTOR		A1			X86-3222-70	TUNER UNIT	M1
Q35			DTC144EK	DIGITAL TRANSISTOR		DOLBY NOISE REDUCTION UNIT (X87-301X-XX)					
Q35			KRC104S	TRANSISTOR		C1 -4			CK73FB1H471K	CHIP C	470PF K
Q35			UN2213	DIGITAL TRANSISTOR							

E: Europe K: North America M: Other Areas

K : KRC-X858

K1 : KRC-708

M1 : KRC-PS988R

M2 : KRC-888

△ indicates safety critical components.

PARTS LIST

* New Parts

Parts without **Parts No.** are not supplied.

Les articles non mentionnés dans le **Parts No.** ne sont pas fournis.

Teile ohne **Parts No.** werden nicht geliefert.

Ref.No.	A d d	N e w	Parts No.	Description	Dest inati on
C5			CE04NW1A330M	ELECTRO 33UF 10WV	
C6			CE04NW1A470M	ELECTRO 47UF 10WV	
C7 ,8			CK73FB1H103K	CHIP C 0.010UF K	
C11 -14			CK73FB1C104K	CHIP C 0.10UF K	
C15 ,16			CE04NW1A330M	ELECTRO 33UF 10WV	
C17			CK73EB1C474K	CHIP C 0.47UF K	
C20			CK73GB1H562K	CHIP C 5600PF K	
C21 ,22			CK73FB1E683K	CHIP C 0.068UF K	M1
C23			CK73FB1C224K	CHIP C 0.22UF K	
C24			CK73GB1C393K	CHIP C 0.039UF K	KK1M2
C24			CK73GB1C473K	CHIP C 0.047UF K	M1
C25 ,26			CC73GCH1H560J	CHIP C 56PF J	M1
CN1			E40-9702-05	FLAT CABLE CONNECTOR	
CN2			E40-9218-05	PIN ASSY	
CN3			E40-9701-05	FLAT CABLE CONNECTOR	
CN4			E40-9703-05	SOCKET FOR PIN ASSY	
W1 -9			E31-0001-00	JUMPER WIRE	
R1 -4			RK73FB2A243J	CHIP R 24K J 1/10W	
R5 ,6			RK73FB2A181J	CHIP R 180 J 1/10W	
R7			RK73GB1J203J	CHIP R 20K J 1/16W	
R8			RK73GB1J564J	CHIP R 560K J 1/16W	KK1M2
R8			RK73GB1J684J	CHIP R 680K J 1/16W	M1
R9			RK73GB1J302J	CHIP R 3.0K J 1/16W	M1
R9			RK73GB1J362J	CHIP R 3.6K J 1/16W	KK1M2
R10			RK73GB1J303J	CHIP R 30K J 1/16W	M1
R10			RK73GB1J333J	CHIP R 33K J 1/16W	KK1M2
R11 ,12			RK73FB2A102J	CHIP R 1.0K J 1/10W	KK1M2
R11 ,12			RK73FB2A242J	CHIP R 2.4K J 1/10W	M1
R13			RK73EB2B4R7J	CHIP R 4.7 J 1/8W	
R18			RK73EB2B121J	CHIP R 120 J 1/8W	
VR1 ,2			R12-3100-05	TRIMMING POT.(10K)	
W11 ,12			R92-2052-05	CHIP R 0 J 1/10W	
W14			R92-2052-05	CHIP R 0 J 1/10W	
S1			S40-1140-05	PUSH SWITCH	
IC1			CXA2560Q	ANALOGUE IC	KK1M2
IC1			CXA2561Q	ANALOGUE IC	M1
Q1			DTC124EK	DIGITAL TRANSISTOR	
Q1			KRC103S	TRANSISTOR	
Q1			UN2212	DIGITAL TRANSISTOR	
MECHANISM ASSY (X92-3790-XX)					
ME1	3C	*	D40-1138-15	CASSETTE MECHANISM ASSY	
V	3C	*	N09-4368-05	MACHINE SCREW	
W	3D	*	N09-4377-05	TAPTITE SCREW (2X5)	
CASSETTE MECHANISM ASSY (D40-1138-15)					
1	2B		A10-4630-08	CHASSIS ASSY	
4	3B		D10-4375-08	SLIDER(MAIN PLATE)	
5	3A		D13-1494-08	GEAR(B)	
6	3A		D13-1495-08	GEAR(C)	
7	3A		D13-1496-08	GEAR(D)	
9	2B		D10-4376-08	ARM(P-G PLATE)	
10	2B		J90-0948-08	GUID	
11	2B		D15-0919-08	PULLEY(MID)	

Ref.No.	A d d	N e w	Parts No.	Description	Dest inati on
12	2B		D13-1497-08	GEAR(P)	
15	2B		J21-9458-08	MOUNTING HARDWARE(HEAD P-AS)	
17	2B		G02-1332-08	FLAT SPRING(HEAD SP-P)	
20	2A		D13-1498-08	RACK GEAR(OP PLATE A)	
21	1A		D10-4377-08	LEVER(EJ-LEV-A)	
22	3B		D10-4378-08	LEVER(SB.PL-AS)	
23	2A		D10-4379-08	LEVER(OP-PL-HO)	
24	1A		D10-4380-08	LEVER(EJE-LEV-A)	
25	1A		G01-2960-08	TENSION COIL SPRING(E LEV-SP)	
26	3A		D13-1499-08	GEAR(FR)	
27	3A		D10-4381-08	ARM(FR-PLATE)	
30	2B		D10-4382-08	ARM ASSY(PINCH ROLLER F)	
31	2B		D10-4383-08	ARM ASSY(PINCH ROLLER R)	
33	1B		G01-2961-08	TORSION SPRING(SA)	
34	2B		D10-4384-08	ARM(SW)	
44	1A		E39-0305-08	WIRE HARNESS(M CONNECTOR ASSY)	
45	2A		J11-0632-08	CLAMPER	
48	3B		D01-0613-08	FLYWHEEL ASSY	
49	3B		D16-0616-08	BELT	
52	1B		D10-4385-08	ARM(CASSETTE LIFTER B)	
53	1B		J19-4953-08	CASSETTE HOLDER	
54	1A		G11-1861-08	CUSHION	
56	1B		D10-4386-08	ARM ASSY	
57	1B		G01-2962-08	TENSION COIL SPRING	
58	1B		D10-4387-08	SLIDER	
65	2A		B09-0522-08	REEL CAP	
66	2A		G01-2963-08	COMPRESSION SPRING	
67	2A		D03-0314-08	REEL GEAR ASSY	
75	3A		J69-0510-08	ADHESIVE TAPE(FFC)	
90	3A		J26-4036-08	PC BORD ASSY	
92	3A		E39-0306-08	FLAT CABLE(FFCM4)	
94	3A		T95-0245-08	PHOTO COUPLER	
A	3A		N09-4324-08	SCREW(2X2.5)	
B	2A		N19-2136-08	FLAT WASHER(1.55X35)	
C	2A		N09-4325-08	SCREW(2X13ADS)	
CM1	1A		T42-1002-08	MOTOR ASSY(MAIN)	
CM2	1A		T42-1001-08	MOTOR ASSY(SUB A)	
D	2A		N09-4326-08	SCREW(2X3)	
E	2A		N09-4058-08	SEMS(2X3AMS)	
F	2B		N19-2038-08	FLAT WASHER(0.85X2.8)	
G	2B		N19-2136-08	FLAT WASHER(1.55X3)	
H	2B		N19-2137-08	FLAT WASHER(2.1X3.5)	
HD1	2B		T31-0226-08	PLAYBACK HEAD	
J	3B		N19-2138-08	FLAT WASHER(2.1X3.5)	
K	3B		N09-4327-08	SCREW	
N	1B		N19-2139-08	FLAT WASHER(2.1X4.0)	

E: Europe K: North America M: Other Areas

K : KRC-X858

K1 : KRC-708

M1 : KRC-PS988R

M2 : KRC-888

▲ indicates safety critical components.