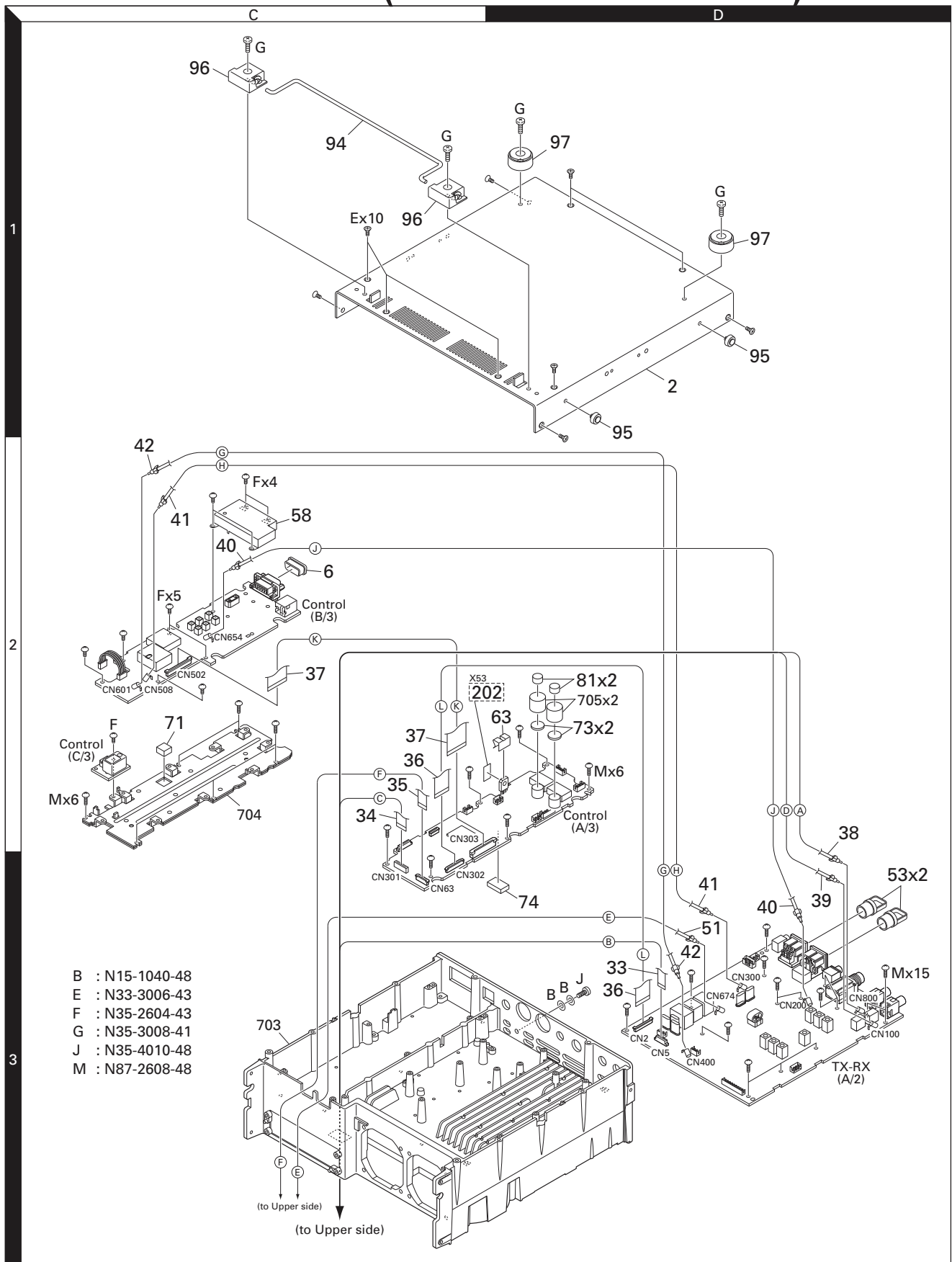




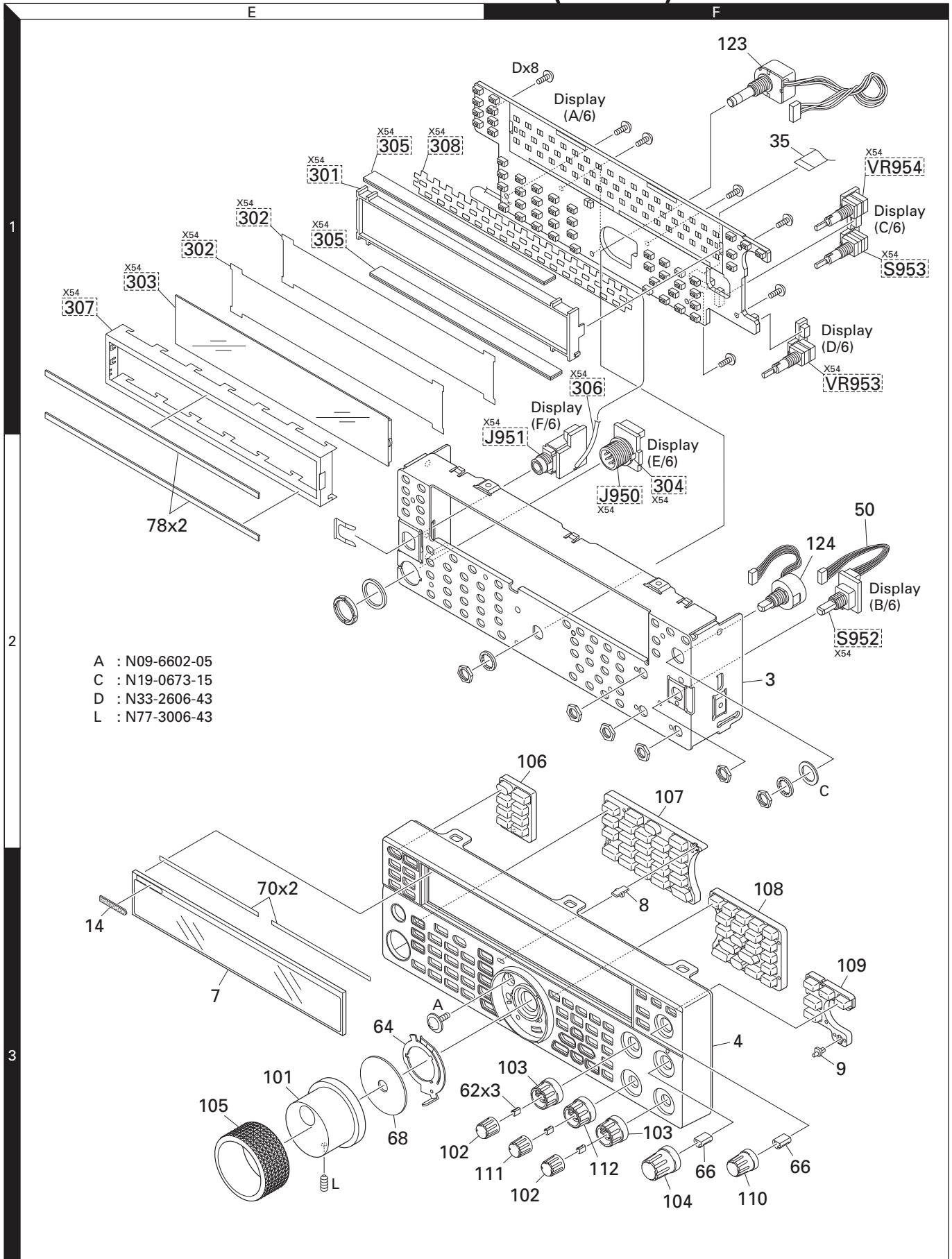
# TS-590SG

## EXPLODED VIEW (MAIN BODY LOWER SIDE)



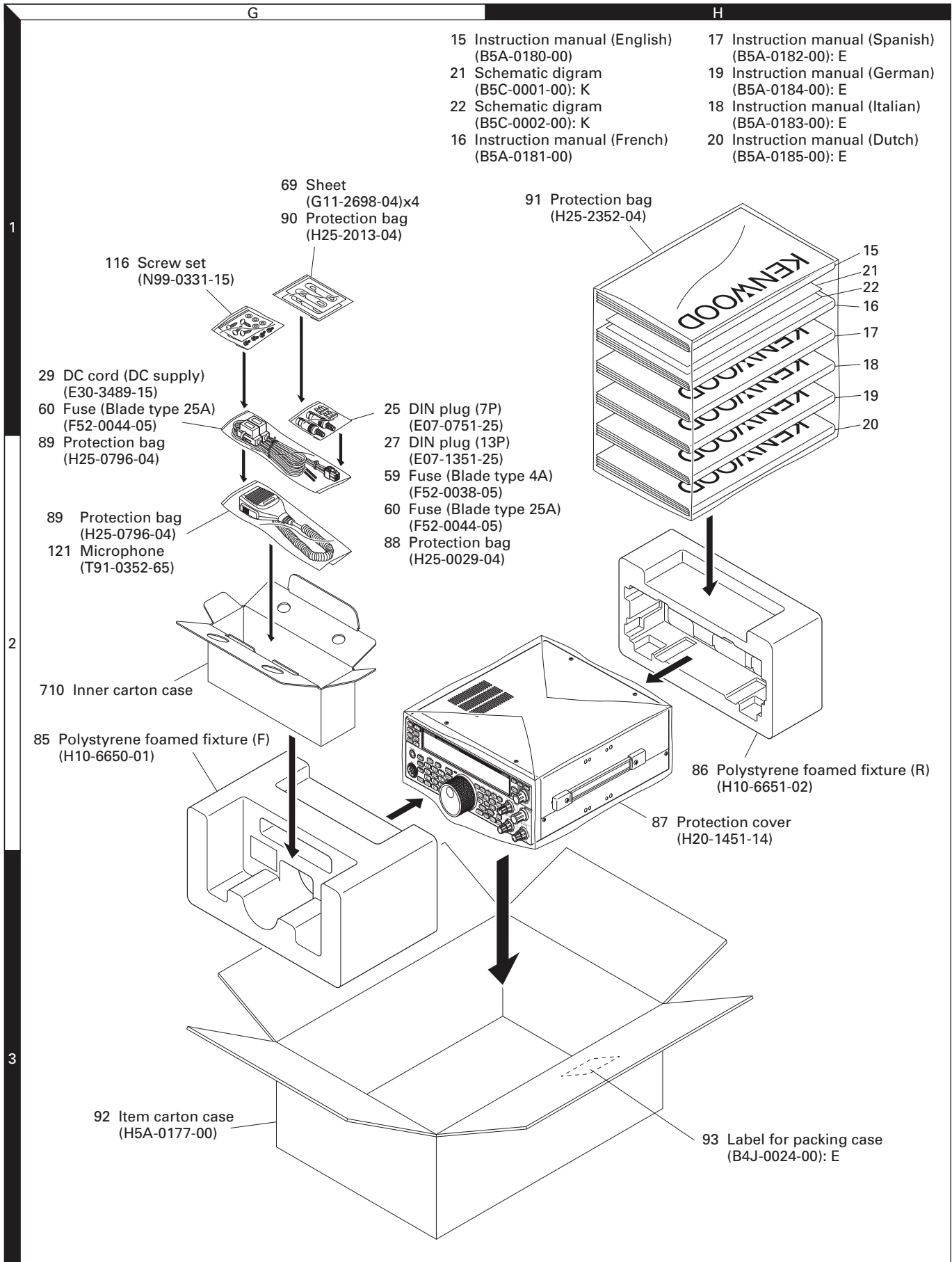
Parts with the exploded numbers larger than 700 are not supplied.

## EXPLODED VIEW (PANEL)



Parts with the exploded numbers larger than 700 are not supplied.

## PACKING



# TS-590SG

## PARTS LIST

△ indicates safety critical components.

Parts without **Parts No.** are not supplied.

Les articles non mentionnés dans le **Parts No.** ne sont pas fournis.

Teile ohne **Parts No.** werden nicht geliefert.

**L** : Scandinavia

**Y** : PX (Far East, Hawaii)

**C** : China

**K** : USA

**T** : England

**X** : Australia

**P** : Canada

**E** : Europe

**M** : Other Areas

TS-590SG					TS-590SG				
Ref.No	Address	Parts No.	Description	Destination	Ref.No	Address	Parts No.	Description	Destination
			<b>TS-590SG</b>		53	3D	F09-0453-05	CAP(REAR-DIN)	
1	1B	A0B-0006-00	METALLIC CABINET(UPPER)		54	3A	F09-0478-05	FAN MOTOR	
2	1D	A0B-0007-00	METALLIC CABINET(LOWER)		55	1A	F10-2330-23	SHIELDING COVER(AT)	
3	2F	A22-2525-11	SUB PANEL		56	1A	F10-3116-14	SHIELDING COVER(FINAL-RELAY)	
4	3F	A6C-0009-00	PANEL		57	2B	F10-3134-02	SHIELDING PLATE(FINAL)	
6	2C	B09-0355-05	CAP(REAR-COM)		-		F10-3135-13	SHIELDING COVER(DCIN SPOTWE)	
7	3E	B1A-0022-00	FRONT GLASS		58	2C	F10-3136-03	SHIELDING COVER(VGS-1)	
8	3F	B11-1879-13	ILLUMINATION GUIDE(TX/RX)		-	2C	F10-3142-04	SHIELDING COVER	
9	3F	B11-1880-13	ILLUMINATION GUIDE(MULTI)		59	1G	F52-0038-05	FUSE(BLADE TYPE)(4A) ACCESSORY	
-		B42-5650-04	SERIAL NUMBER STICKER		60	1G,2G	F52-0044-05	FUSE(BLADE TYPE)(25A) ACCESSORY	
-		B42-7003-04	RATING LABEL(CORD)	E	61	3E	G02-0791-24	FLAT SPRING(AUDIO IC)	
-		B42-7019-04	STANDARD LABEL(FCC)	K	64	3E	G02-1858-03	FLAT SPRING(TORQUE)	
-		B42-7070-04	STANDARD LABEL(FCC)	K	65	1A	G02-1860-04	EARTH SPRING(HF-FINAL)	
14	3E	B43-1644-04	BADGE		62	3F	G02-0505-05	KNOB SPRING	
15	1H	B5A-0180-00	INSTRUCTION MANUAL(ENGLISH)		66	3F	G09-0405-05	KNOB SPRING	
16	1H	B5A-0181-00	INSTRUCTION MANUAL(FRENCH)		67	1A,1B	G10-1277-04	FIBROUS SHEET (CABINET)	
17	1H	B5A-0182-00	INSTRUCTION MANUAL(SPANISH)	E	68	3E	G10-1812-04	FIBROUS SHEET(TORQUE)	
18	1H	B5A-0183-00	INSTRUCTION MANUAL(ITALIAN)	E	69	1G	G11-2698-04	SHEET ACCESSORY	
19	1H	B5A-0184-00	INSTRUCTION MANUAL(GERMAN)	E	70	3E	G11-4509-04	SHEET (FRONT GLASS)	
20	1H	B5A-0185-00	INSTRUCTION MANUAL(DUTCH)	E	71	2C	G11-4510-04	RUBBER SHEET (XC1B:DDS)	
21	1H	B5C-0001-00	SCHEMATIC DIAGRAM ACCESSORY	K	72	1A	G11-4520-04	SHEET (FINAL-RELAY)	
22	1H	B5C-0002-00	SCHEMATIC DIAGRAM ACCESSORY	K	73	2D	G11-4535-04	SHEET (XC1A:DCDC-COIL)	
24	2B	E04-0167-15	RF COAXIAL RECEPTACLE(M)		74	3D	G11-4536-04	RUBBER SHEET (XC1A PCB)	
25	1G	E07-0751-25	DIN PLUG(7P) ACCESSORY		76	2A	G13-1793-04	CUSHION	
27	1G	E07-1351-25	DIN PLUG(13P) ACCESSORY		77	2B	G13-1855-04	CUSHION(SP)	
28	3B	E23-1164-14	EARTH LUG(ANT)		78	2E	G13-2300-04	CUSHION(LCD)	
29	2G	E30-3489-15	DC CORD(DC SUPPLY) ACCESSORY		79	1A	G13-2301-04	CUSHION(TOP RELAY)	
29	2G	E3F-0031-00	FLAT CABLE		80	1A	G13-2304-04	CUSHION(RELAY)	
30	2B	E37-0891-25	LEAD WIRE WITH CONNECTOR(EXT.AT)		81	2D	G13-2312-04	CUSHION(DCDC-COIL)	
31	2A	E37-0959-15	LEAD WIRE WITH CONNECTOR(SP)		82	2B	G13-2341-04	CUSHION(TOP FFC)	
33	2A,3D	E3F-0031-00	FLAT CABLE(TXRXA-FINAL)		83	1B,2B	G13-2343-04	CUSHION(TOP SHIELD)	
34	2A,2C	E37-1489-15	FLAT CABLE(CON A-FINAL)		85	2G	H10-6650-01	POLYSTYRENE FOAMED FIXTURE(F)	
35	3A,2C,1F	E37-1490-15	FLAT CABLE(DISB-CON A)		86	2H	H10-6651-02	POLYSTYRENE FOAMED FIXTURE(R)	
36	2C,3D	E37-1491-15	FLAT CABLE(TXRXA-CON B)		87	2H	H20-1451-14	PROTECTION COVER	
37	2C	E37-1492-15	FLAT CABLE(CON A-CON B)		88	1G	H25-0029-04	PROTECTION BAG (60/110/0.07)	
38	2A,3D	E3H-0011-00	LEAD WIRE WITH CONNECTOR(TXRX)		89	2G	H25-0796-04	PROTECTION BAG	
39	1A,3D	E37-1646-05	LEAD WIRE WITH MINIPIN PLUG(RAT)		91	1H	H25-2352-04	PROTECTION BAG (250/350/0.07)	
40	2C,3D	E37-1647-05	LEAD WIRE WITH MINIPIN PLUG(L01)		92	3G	H5A-0177-00	ITEM CARTON CASE	K
41	2C,3D	E37-1648-05	LEAD WIRE WITH MINIPIN PLUG(L02)		93	3H	B4J-0024-00	PACKING LABEL	
42	2C,3D	E37-1649-05	LEAD WIRE WITH MINIPIN PLUG(L03)		94	1C	J02-0440-14	FOOT(FRONT)	
-		E37-1499-05	LEAD WIRE WITH CONNECTOR(CON A-CON B)		95	1A,1B,1D	J02-0441-15	FOOT(SIDE)	
-		E37-1500-05	LEAD WIRE WITH CONNECTOR(RIF)		96	1C	J02-0442-04	FOOT(FRONT)	
-		E37-1501-05	LEAD WIRE WITH CONNECTOR(TIF)		97	1D	J02-0475-15	FOOT(BACK)	
-		E37-1502-05	LEAD WIRE WITH CONNECTOR(AF)		-		J61-0307-05	BAND	
-		E37-1506-05	LEAD WIRE WITH CONNECTOR(MIC)		100	1B	K01-0427-05	HANDLE	
50	2F	E37-1507-05	LEAD WIRE WITH CONNECTOR(MULTI)		101	3E	K2B-0001-00	KNOB(MAIN KNOB)	
51	3A,3D	E37-1530-05	LEAD WIRE WITH CONNECTOR(TXRXA-FINAL)		102	3F	K29-9390-03	KNOB(INSIDE)	
-		E37-1650-05	LEAD WIRE WITH CONNECTOR(TXRXA-FINAL)		103	3F	K29-9596-03	KNOB(NOTCH/SQL)	
-		E3H-0010-00	LEAD WIRE WITH CONNECTOR(TXRX A-B)		104	3F	K29-9456-23	KNOB (MULTI)	
-		E3H-0011-00	LEAD WIRE WITH MINIPIN PLUG(TXRF)		105	3E	K29-9465-03	KNOB RING(MAIN KNOB)	
-		E3H-0017-00	LEAD WIRE WITH CONNECTOR(MIC)		106	2F	K2K-0121-00	KEY TOP(8KEY)	
					107	2F	K2K-0122-00	KEY TOP(25KEY)	

## PARTS LIST

TS-590SG  
FINAL UNIT (X45-398X-XX)

Ref.No	Address	Parts No.	Description	Destination
108	3F	K2K-0123-00	KEY TOP(20KEY)	
109	3F	K2K-0124-00	KEY TOP(5KEY)	
110	3F	K29-9471-13	KNOB(RIT)	
111	3F	K29-9477-03	KNOB(INSIDE/HI)	
112	3F	K2K-0125-00	KNOB(OUTSIDE/LO)	
A	3E	N09-6602-05	SPECIAL SCREW(PANEL)	
B	3D	N15-1040-48	FLAT WASHER(GND)	
C	2F	N19-0673-15	SPECIAL WASHER(RIT-ENC)	
D	1F	N33-2606-43	OVAL HEAD MACHINE SCREW(DISPLAY-PCB)	
E	3A,1B,1C,1D	N33-3006-43	OVAL HEAD MACHINE SCREW(CABINET)	
F	2C	N35-2604-43	BINDING HEAD MACHINE SCREW(LO-PCB)	
G	1C,1D	N35-3008-41	BINDING HEAD MACHINE SCREW(FOOT)	
H	3A	N35-3020-48	BINDING HEAD MACHINE SCREW(FAN)	
J	3D	N35-4010-48	BINDING HEAD MACHINE SCREW(GND)	
K	1A,2A	N67-2608-48	PAN HEAD SEMS SCREW(FINAL-TR)	
L	3E	N77-3006-43	HEXAGON SOCKET HEAD SET SCREW	
M	2A,2B,2C,3D	N87-2608-48	BRAZIER HEAD TAPTITE SCREW(PCB)	
116	1G	N99-0331-15	SCREW SET ACCESSORY	
120	2A	T07-0765-45	SPEAKER	
121	2G	T91-0352-65	MICROPHONE ACCESSORY	
123	1F	W02-1836-15	ENCODER(MAIN)	
124	2F	W02-3727-05	ENCODER(RIT)	
Q1		RD06HHF1-102	FET	
Q2		RD16HHF1-102	FET	
Q3		RD100HHF1-102	FET	
Q4		RD100HHF1-102	FET	

Ref.No	Address	Parts No.	Description	Destination
<b>FINAL UNIT (X45-398X-XX)</b>				
C1		CD04BQ1H220M	ALUMINIUM ELECTRO CAPACITOR	
C2		CD04AY1E470M	ELECTRO 47UF 25WV	
C3		CD04BQ1H220M	ALUMINIUM ELECTRO CAPACITOR	
C4		CD04AZ1E471M	ELECTRO 470UF 25WV	
C5		CD04AY1E470M	ELECTRO 47UF 25WV	
C6		CD04AZ1E471M	ELECTRO 470UF 25WV	
C7		CD04AY1E470M	ELECTRO 47UF 25WV	
C15		CC73GCH1H101J	CHIP C 100PF J	
C21		CC73GCH1H470J	CHIP C 47PF J	
C22		CK73GB1H104K	CHIP C 0.10UF K	
C23		CK73GB1H103K	CHIP C 0.010UF K	
C24		CK73FB1E475K	CHIP C 4.7UF K	
C25		CK73GB1H104K	CHIP C 0.10UF K	
C27		CK73GB1H104K	CHIP C 0.10UF K	
C29		CK73GB1H103K	CHIP C 0.010UF K	
C30		CK73GB1H104K	CHIP C 0.10UF K	
C31		CK73GB1H104K	CHIP C 0.10UF K	
C32		CK73GB1E105K	CHIP C 1.0UF K	
C33		CK73FB1E475K	CHIP C 4.7UF K	
C34		CC73GCH1H121J	CHIP C 120PF J	
C35		CK73GB1H103K	CHIP C 0.010UF K	
C36		CC73GCH1H121J	CHIP C 120PF J	
C37		CK73FB1E104K	CHIP C 0.10UF K	
C38		CK73GB1E105K	CHIP C 1.0UF K	
C39		C93-1807-05	CHIP C 0.01UF J	

Ref.No	Address	Parts No.	Description	Destination
C40		CK73GB1H102K	CHIP C 1000PF K	
C41		CK73FB1E104K	CHIP C 0.10UF K	
C42		C93-1895-05	CHIP C 390PF J	
C43		CK73FB1H103K	CHIP C 0.010UF K	
C44		C93-1815-05	CHIP C 220PF J	
C45		C93-1812-05	CHIP C 120PF J	
C46		C93-1807-05	CHIP C 0.01UF J	
C47		CK73FB1E104K	CHIP C 0.10UF K	
C48		C93-1807-05	CHIP C 0.01UF J	
C49		C93-1807-05	CHIP C 0.01UF J	
C50		CK73GB1H102K	CHIP C 1000PF K	
C51		CK73GB1H103K	CHIP C 0.010UF K	
C52		CD04BC1E221M	ELECTRO 220UF 25WV	
C53		CK73FB1C105K	CHIP C 1.0UF K	
C54		CK73EB1H104K	CHIP C 0.10UF K	
C55		CK73EB1H104K	CHIP C 0.10UF K	
C56		CK73GB1H102K	CHIP C 1000PF K	
C57		CK73GB1H103K	CHIP C 0.010UF K	
C58		CK73FB1C105K	CHIP C 1.0UF K	
C59		CM73F2H271J	CHIP C 270PF J	
C60		CM73F2H271J	CHIP C 270PF J	
C61		CM73F2H101J	CHIP C 100PF J	
C62		CM73F2H331F	CHIP C 330PF F	
C63		CM73F2H471F	CHIP C 470PF F	
C64		CK73FB1E104K	CHIP C 0.10UF K	
C65		CK73FB1E104K	CHIP C 0.10UF K	
C66		CK73EB1E225K	CHIP C 2.2UF K	
C67		CK73FB1E104K	CHIP C 0.10UF K	
C68		C93-1807-05	CHIP C 0.01UF J	
C69		CK73FB1H102K	CHIP C 1000PF K	
C70		CK73FB1H102K	CHIP C 1000PF K	
C71		C93-0553-05	CHIP C 3.0PF C	
C72		CK73FB1H103K	CHIP C 0.010UF K	
C73		CK73FB1H102K	CHIP C 1000PF K	
C74		CK73FB1E104K	CHIP C 0.10UF K	
C75		CK73FB1H102K	CHIP C 1000PF K	
C76		CK73FB1H102K	CHIP C 1000PF K	
C77		CK73FB1H102K	CHIP C 1000PF K	
C101		C93-1819-05	CHIP C 470PF J	
C102		CK73FB1H103K	CHIP C 0.010UF K	
C103		CK73FB1H103K	CHIP C 0.010UF K	
C104		CK73FB1H103K	CHIP C 0.010UF K	
C105		CK73FB1H103K	CHIP C 0.010UF K	
C106		CK73FB1H103K	CHIP C 0.010UF K	
C107		CK73FB1H103K	CHIP C 0.010UF K	
C108		CK73FB1H103K	CHIP C 0.010UF K	
C109		CK73FB1H103K	CHIP C 0.010UF K	
C110		CK73FB1H103K	CHIP C 0.010UF K	
C111		CK73GB1H103K	CHIP C 0.010UF K	
C112		CK73FB1H103K	CHIP C 0.010UF K	
C113		CK73FB1H103K	CHIP C 0.010UF K	
C114		CK73FB1H103K	CHIP C 0.010UF K	
C115		CK73FB1H103K	CHIP C 0.010UF K	
C116		CK73FB1H103K	CHIP C 0.010UF K	

## PARTS LIST

### FINAL UNIT (X45-398X-XX)

Ref.No	Address	Parts No.	Description	Destination	Ref.No	Address	Parts No.	Description	Destination
C117		CK73FB1H103K	CHIP C	0.010UF K	C193		C93-1823-05	CHIP C	1000PF J
C118		CK73FB1H103K	CHIP C	0.010UF K	C194		C93-1820-05	CHIP C	560PF J
C119		CK73FB1H103K	CHIP C	0.010UF K	C195		C93-1823-05	CHIP C	1000PF J
C120		CK73FB1H103K	CHIP C	0.010UF K	C196		C93-1817-05	CHIP C	330PF J
C121		CK73FB1H103K	CHIP C	0.010UF K	C197		C93-1815-05	CHIP C	220PF J
C122		CK73FB1H103K	CHIP C	0.010UF K	C198		CK73GB1H103K	CHIP C	0.010UF K
C124		CK73FB1E104K	CHIP C	0.10UF K	C199		CK73GB1H104K	CHIP C	0.10UF K
C126		CK73FB1H103K	CHIP C	0.010UF K	C200		C93-0558-05	CHIP C	8.0PF D
C127		CK73FB1H103K	CHIP C	0.010UF K	C201		C93-1811-05	CHIP C	100PF J
C128		CK73FB1H103K	CHIP C	0.010UF K	C202		C93-1823-05	CHIP C	1000PF J
C129		CK73FB1H103K	CHIP C	0.010UF K	C203		C93-0568-05	CHIP C	47PF J
C130		CK73FB1H103K	CHIP C	0.010UF K	C204		C93-1816-05	CHIP C	270PF J
C131		CK73FB1H103K	CHIP C	0.010UF K	C205		C93-1815-05	CHIP C	220PF J
C132		CK73GB1H103K	CHIP C	0.010UF K	C206		C93-1820-05	CHIP C	560PF J
C133		CK73FB1H103K	CHIP C	0.010UF K	C207		C93-1813-05	CHIP C	150PF J
C134		CK73FB1H103K	CHIP C	0.010UF K	C208		CK73GB1H103K	CHIP C	0.010UF K
C135		CK73FB1H103K	CHIP C	0.010UF K	C209		C93-1811-05	CHIP C	100PF J
C151		C93-0555-05	CHIP C	5.0PF C	C210		C93-0564-05	CHIP C	22PF J
C156		C93-0568-05	CHIP C	47PF J	C211		C93-0570-05	CHIP C	68PF J
C157		C93-0558-05	CHIP C	8.0PF D	C212		C93-0565-05	CHIP C	27PF J
C158		C93-1811-05	CHIP C	100PF J	C213		C93-1812-05	CHIP C	120PF J
C159		C93-1811-05	CHIP C	100PF J	C214		C93-0569-05	CHIP C	56PF J
C160		C93-1816-05	CHIP C	270PF J	C215		C93-0569-05	CHIP C	56PF J
C161		C93-0565-05	CHIP C	27PF J	C217		C93-0565-05	CHIP C	27PF J
C162		C93-1816-05	CHIP C	270PF J	C218		C93-0570-05	CHIP C	68PF J
C163		C93-0558-05	CHIP C	8.0PF D	C219		C93-0571-05	CHIP C	82PF J
C164		C93-0567-05	CHIP C	39PF J	C220		C93-1811-05	CHIP C	100PF J
C165		C93-0569-05	CHIP C	56PF J	C221		C93-1811-05	CHIP C	100PF J
C166		C93-0562-05	CHIP C	15PF J	C222		C93-0554-05	CHIP C	4.0PF C
C167		C93-1820-05	CHIP C	560PF J	C223		C93-0565-05	CHIP C	27PF J
C168		C93-1816-05	CHIP C	270PF J	C224		C93-0568-05	CHIP C	47PF J
C169		C93-0568-05	CHIP C	47PF J	C225		C93-0565-05	CHIP C	27PF J
C170		C93-1816-05	CHIP C	270PF J	C226		C93-0564-05	CHIP C	22PF J
C171		C93-0569-05	CHIP C	56PF J	C228		C93-1819-05	CHIP C	470PF J
C172		C93-1811-05	CHIP C	100PF J	C229		C93-1812-05	CHIP C	120PF J
C173		CK73GB1H103K	CHIP C	0.010UF K	C230		C93-1816-05	CHIP C	270PF J
C174		C93-1811-05	CHIP C	100PF J	C231		C93-1816-05	CHIP C	270PF J
C175		C93-0565-05	CHIP C	27PF J	C232		C93-0565-05	CHIP C	27PF J
C176		C93-0567-05	CHIP C	39PF J	C233		C93-1823-05	CHIP C	1000PF J
C177		C93-0559-05	CHIP C	9.0PF D	C234		C93-1816-05	CHIP C	270PF J
C178		C93-0570-05	CHIP C	68PF J	C236		C93-1816-05	CHIP C	270PF J
C179		C93-1811-05	CHIP C	100PF J	C237		C93-0568-05	CHIP C	47PF J
C180		C93-1813-05	CHIP C	150PF J	C238		C93-0564-05	CHIP C	22PF J
C181		C93-1813-05	CHIP C	150PF J	C239		C93-0568-05	CHIP C	47PF J
C182		C93-1813-05	CHIP C	150PF J	C240		C93-1813-05	CHIP C	150PF J
C183		C93-1820-05	CHIP C	560PF J	C241		C93-0565-05	CHIP C	27PF J
C184		C93-0570-05	CHIP C	68PF J	C242		C93-0571-05	CHIP C	82PF J
C185		C93-0566-05	CHIP C	33PF J	C243		C93-0563-05	CHIP C	18PF J
C186		C93-0562-05	CHIP C	15PF J	C252		CK73FB1H102K	CHIP C	1000PF K
C187		C93-0562-05	CHIP C	15PF J	C253		CK73GB1H103K	CHIP C	0.010UF K
C188		C93-0571-05	CHIP C	82PF J	C254		CK73GB1H103K	CHIP C	0.010UF K
C189		C93-0565-05	CHIP C	27PF J	C255		C93-0554-05	CHIP C	4.0PF C
C190		C93-0563-05	CHIP C	18PF J	C256		CC73FCH1H470J	CHIP C	47PF J
C191		C93-0560-05	CHIP C	10PF D	C258		CK73GB1H103K	CHIP C	0.010UF K
C192		C93-0570-05	CHIP	68PF J					

## PARTS LIST

FINAL UNIT (X45-398X-XX)

Ref.No	Address	Parts No.	Description	Desti-nation	Ref.No	Address	Parts No.	Description	Desti-nation
C259		CK73GB1H103K	CHIP C	0.010UF K	C333		C91-3126-15	HV CAP	
C260		CC73GCH1H470J	CHIP C	47PF J	C334		C91-3126-15	HV CAP	
C261		CK73GB1H103K	CHIP C	0.010UF K	C335		CK73FB1H103K	CHIP C	0.010UF K
C262		CK73GB1H103K	CHIP C	0.010UF K	C336		CK73FB1H103K	CHIP C	0.010UF K
C263		CK73GB1H103K	CHIP C	0.010UF K	C337		CK73FB1H103K	CHIP C	0.010UF K
C264		CK73GB1H103K	CHIP C	0.010UF K	C338		CK73FB1H103K	CHIP C	0.010UF K
C265		CC73GCH1H080D	CHIP C	8.0PF D	C339		CK73FB1H103K	CHIP C	0.010UF K
C266		CC73GCH1H470J	CHIP C	47PF J	C340		CK73FB1H103K	CHIP C	0.010UF K
C267		CK73GB1H102K	CHIP C	1000PF K	C341		C91-3127-15	HV CAP	
C269		CK73FB1H103K	CHIP C	0.010UF K	C342		C91-3127-15	HV CAP	
C270		CK73GB1H103K	CHIP C	0.010UF K	C343		CK73FB1H103K	CHIP C	0.010UF K
C271		C93-0554-05	CHIP C	4.0PF C	C344		CK73FB1H103K	CHIP C	0.010UF K
C272		CC73FCH1H680J	CHIP C	68PF J	C345		CK73FB1H103K	CHIP C	0.010UF K
C273		CK73GB1H103K	CHIP C	0.010UF K	C346		CK73FB1H103K	CHIP C	0.010UF K
C275		CK73FB1H102K	CHIP C	1000PF K	C347		CK73FB1H103K	CHIP C	0.010UF K
C277		CK73GB1H103K	CHIP C	0.010UF K	C348		CK73FB1H103K	CHIP C	0.010UF K
C278		CK73GB1H103K	CHIP C	0.010UF K	C349		C91-3127-15	HV CAP(18P)	
C279		CK73GB1H103K	CHIP C	0.010UF K	C350		C91-3127-15	HV CAP(18P)	
C280		CK73GB1H103K	CHIP C	0.010UF K	C351		C91-3127-15	HV CAP(18P)	
C281		CK73FB1H103K	CHIP C	0.010UF K	C352		C91-3127-15	HV CAP(18P)	
C282		CK73FB1H103K	CHIP C	0.010UF K	C353		CK73FB1H103K	CHIP C	0.010UF K
C283		CK73GB1H103K	CHIP C	0.010UF K	C354		CK73FB1H103K	CHIP C	0.010UF K
C301		CK73FB1H102K	CHIP C	1000PF K	C355		CK73FB1H103K	CHIP C	0.010UF K
C302		CK73FB1E104K	CHIP C	0.10UF K	C356		CK73FB1H103K	CHIP C	0.010UF K
C303		CK73FB1H103K	CHIP C	0.010UF K	C357		CK73FB1H103K	CHIP C	0.010UF K
C304		CK73FB1H103K	CHIP C	0.010UF K	C358		CK73FB1H103K	CHIP C	0.010UF K
C305		C91-3115-05	HV C	10PF 2KV	C359		C91-3123-05	HV C	150PF 3KV
C306		C91-3115-05	HV C	10PF 2KV	C360		C91-3123-05	HV C	150PF 3KV
C307		C91-3115-05	HV C	10PF 2KV	C361		C91-3123-05	HV C	150PF 3KV
C308		C91-3115-05	HV C	10PF 2KV	C362		C91-3123-05	HV C	150PF 3KV
C309		C91-3115-05	HV C	10PF 2KV	C363		CK73FB1H103K	CHIP C	0.010UF K
C310		C91-3115-05	HV C	10PF 2KV	C364		CK73FB1H103K	CHIP C	0.010UF K
C311		C91-3115-05	HV C	10PF 2KV	C365		CK73FB1H103K	CHIP C	0.010UF K
C312		C91-3115-05	HV C	10PF 2KV	C366		CK73FB1H103K	CHIP C	0.010UF K
C313		C91-3115-05	HV C	10PF 2KV	C367		CK73FB1H103K	CHIP C	0.010UF K
C314		C91-3115-05	HV C	10PF 2KV	C368		CK73FB1H103K	CHIP C	0.010UF K
C315		C91-3115-05	HV C	10PF 2KV	C369		C91-3123-05	HV C	150PF 3KV
C316		C91-3115-05	HV C	10PF 2KV	C370		C91-3123-05	HV C	150PF 3KV
C317		CK73FB1H103K	CHIP C	0.010UF K	C371		CK73FB1H103K	CHIP C	0.010UF K
C318		CK73FB1H103K	CHIP C	0.010UF K	C372		CK73FB1H103K	CHIP C	0.010UF K
C319		CK73FB1H103K	CHIP C	0.010UF K	C373		CK73FB1H103K	CHIP C	0.010UF K
C320		CK73FB1H103K	CHIP C	0.010UF K	C374		CK73FB1H103K	CHIP C	0.010UF K
C321		CK73FB1H103K	CHIP C	0.010UF K	C375		CK73FB1H103K	CHIP C	0.010UF K
C322		CK73FB1H103K	CHIP C	0.010UF K	C376		CK73FB1H103K	CHIP C	0.010UF K
C323		C91-3115-05	HV C	10PF 2KV	C377		C91-3123-05	HV C	150PF 3KV
C324		C91-3115-05	HV C	10PF 2KV	C378		C91-3123-05	HV C	150PF 3KV
C325		C91-3115-05	HV C	10PF 2KV	C379		C91-3123-05	HV C	150PF 3KV
C326		C91-3115-05	HV C	10PF 2KV	C380		C91-3123-05	HV C	150PF 3KV
C327		CK73FB1H103K	CHIP C	0.010UF K	C381		CK73FB1H103K	CHIP C	0.010UF K
C328		CK73FB1H103K	CHIP C	0.010UF K	C382		CK73FB1H103K	CHIP C	0.010UF K
C329		CK73FB1H103K	CHIP C	0.010UF K	C383		CK73FB1H103K	CHIP C	0.010UF K
C330		CK73FB1H103K	CHIP C	0.010UF K	C384		CK73FB1H103K	CHIP C	0.010UF K
C331		CK73FB1H103K	CHIP C	0.010UF K	C385		CK73FB1H103K	CHIP C	0.010UF K
C332		CK73FB1H103K	CHIP C	0.010UF K	C386		CK73FB1H103K	CHIP C	0.010UF K

## PARTS LIST

### FINAL UNIT (X45-398X-XX)

Ref.No	Address	Parts No.	Description	Destination	Ref.No	Address	Parts No.	Description	Destination
C501		CK73FB1H103K	CHIP C 0.010UF K		CN21		J13-0410-05	FUSE HOLDER	
C502		CK73FB1H102K	CHIP C 1000PF K		CN22		J13-0410-05	FUSE HOLDER	
C503		CK73FB1H102K	CHIP C 1000PF K		CN51		E04-0489-05	PIN SOCKET	
C504		CC73FCH1H101J	CHIP C 100PF J		CN52		E41-1682-05	PIN ASSY	
C505		CC73FCH1H101J	CHIP C 100PF J						
C506		CC73FCH1H101J	CHIP C 100PF J		CN259		E23-1310-05	TEST TERMINAL	
C507		CK73FB1H102K	CHIP C 1000PF K		CN260		E23-1310-05	TEST TERMINAL	
C508		CK73FB1H103K	CHIP C 0.010UF K		CN529		E23-1310-05	TEST TERMINAL	
C510		CK73FB1H103K	CHIP C 0.010UF K		D1		DAN202U	MULTIPLE DIODE	
C511		CK73FB1H102K	CHIP C 1000PF K		D2		DAN202U	MULTIPLE DIODE	
C512		CK73FB1H102K	CHIP C 1000PF K		D51		DSA301LA	DIODE	
C513		CK73FB1H102K	CHIP C 1000PF K		D52		DSA301LA	DIODE	
C514		CK73FB1H102K	CHIP C 1000PF K		D101		Z5W27V	SURGE ABSORBER	
C515		CC73FCH1H221J	CHIP C 220PF J		D102		DAN202U	MULTIPLE DIODE	
C516		CK73FB1H102K	CHIP C 1000PF K		D103		DAN202U	MULTIPLE DIODE	
C517		CC73FCH1H221J	CHIP C 220PF J		D104		DAN202U	MULTIPLE DIODE	
C518		CK73GB1H102K	CHIP C 1000PF K		D105		DAN202U	MULTIPLE DIODE	
C519		CK73GB1H102K	CHIP C 1000PF K		D106		DAN202U	MULTIPLE DIODE	
C520		CK73FB1H103K	CHIP C 0.010UF K		D107		DAN202U	MULTIPLE DIODE	
C521		CC73FCH1H221J	CHIP C 220PF J		D108		DAN202U	MULTIPLE DIODE	
C523		CC73FCH1H221J	CHIP C 220PF J		D109		DAN202U	MULTIPLE DIODE	
C524		CC73FCH1H221J	CHIP C 220PF J		D110		DAN202U	MULTIPLE DIODE	
C525		CK73FB1H102K	CHIP C 1000PF K		D111		DZ2S160M	ZENER DIODE	
C526		CK73FB1H102K	CHIP C 1000PF K		D251		RB706F-40	DIODE	
C527		CK73FB1H102K	CHIP C 1000PF K		D252		RB706F-40	DIODE	
C528		CK73GB1H102K	CHIP C 1000PF K		D253		RB480Y-90	DIODE	
C529		CK73FB1H102K	CHIP C 1000PF K		D254		DAN202U	MULTIPLE DIODE	
C530		CK73GB1H102K	CHIP C 1000PF K		D255		RB480Y-90	DIODE	
C531		CK73FB1E104K	CHIP C 0.10UF K		D256		DAN202U	MULTIPLE DIODE	
C532		CK73FB1H102K	CHIP C 1000PF K		D257		DAN202U	MULTIPLE DIODE	
C533		CK73FB1H102K	CHIP C 1000PF K		D258		KDZ5.1EV-P(Y)	ZENER DIODE	
C534		CK73GB1H103K	CHIP C 0.010UF K		D301		DAN202U	MULTIPLE DIODE	
C535		CC73FCH1H101J	CHIP C 100PF J		D302		DAN202U	MULTIPLE DIODE	
C536		CC73FCH1H101J	CHIP C 100PF J		D303		DAN202U	MULTIPLE DIODE	
C537		CC73FCH1H101J	CHIP C 100PF J		D304		DAN202U	MULTIPLE DIODE	
C538		CK73FB1H103K	CHIP C 0.010UF K		D305		DAN202U	MULTIPLE DIODE	
C539		CK73FB1H103K	CHIP C 0.010UF K		D306		DAN202U	MULTIPLE DIODE	
C540		CC73FCH1H101J	CHIP C 100PF J		D307		DAN202U	MULTIPLE DIODE	
C541		CC73FCH1H101J	CHIP C 100PF J		D308		DAN202U	MULTIPLE DIODE	
C542		CC73FCH1H101J	CHIP C 100PF J		D309		DAN202U	MULTIPLE DIODE	
C543		CK73FB1H103K	CHIP C 0.010UF K		D310		DAN202U	MULTIPLE DIODE	
C544		CK73FB1H103K	CHIP C 0.010UF K		D311		DAN202U	MULTIPLE DIODE	
C545		CC73GCH1H221J	CHIP C 220PF J		D312		DAN202U	MULTIPLE DIODE	
C546		CC73GCH1H221J	CHIP C 220PF J		D313		DAN202U	MULTIPLE DIODE	
C547		C93-0564-05	CHIP C 22PF J		D314		DAN202U	MULTIPLE DIODE	
CN2		E04-0491-05	PIN SOCKET		D315		DAN202U	MULTIPLE DIODE	
CN3		E40-6528-05	PIN ASSY		D316		DAN202U	MULTIPLE DIODE	
CN4		E40-6526-05	PIN ASSY		D317		DAN202U	MULTIPLE DIODE	
CN5		E40-6873-05	FLAT CABLE CONNECTOR		D318		DAN202U	MULTIPLE DIODE	
CN6		E41-1682-05	PIN ASSY		D319		DAN202U	MULTIPLE DIODE	
CN7		E41-1682-05	PIN ASSY		D320		DAN202U	MULTIPLE DIODE	
CN8		E40-6525-05	PIN ASSY		D321		DAN202U	MULTIPLE DIODE	
CN9		E40-6881-05	FLAT CABLE CONNECTOR		D322		DAN202U	MULTIPLE DIODE	
CN10		E04-0491-05	PIN SOCKET		D323		DAN202U	MULTIPLE DIODE	
CN11		E04-0491-05	PIN SOCKET						

## PARTS LIST

FINAL UNIT (X45-398X-XX)

Ref.No	Addresss	Parts No.	Description	Desti-nation	Ref.No	Addresss	Parts No.	Description	Desti-nation
D324		DAN202U	MULTIPLE DIODE		K36		S76-0460-05	RELAY	
D325		DAN202U	MULTIPLE DIODE		K37		S76-0460-05	RELAY	
D501		DAN202U	MULTIPLE DIODE		K38		S76-0415-05	RELAY	
D502		KDS123E-P	DIODE		K39		S76-0460-05	RELAY	
D503		KDS123E-P	DIODE		K40		S76-0460-05	RELAY	
F1		F53-0391-05	FUSE(UL/CSA)(10A)		K41		S76-0415-05	RELAY	
F2		F53-0401-05	FUSE(2A)		K42		S76-0460-05	RELAY	
F3		F53-0306-05	FUSE(UL/CSA)(5A)		K43		S76-0460-05	RELAY	
F4		F52-0038-05	FUSE(BLADE TYPE)(4A)		K44		S76-0424-05	RELAY	
IC1		TC74HC4094AFF	MOS-IC		K45		S76-0424-05	RELAY	
IC2		TC7SHU04F-F	MOS-IC		K46		S76-0402-05	RELAY	
IC3		TC7SHU04F-F	MOS-IC		L2		L92-0447-05	BEADS CORE	
IC4		INA193AIDBVT	ANALOGUE IC		L3		L92-0447-05	BEADS CORE	
IC5		TA75S393F-F	MOS-IC		L4		L33-1552-05	SMALL FIXED INDUCTOR	
IC6		TC7WH74FU-F	MOS-IC		L5		LR79F0ED27NG	CHIP INDUCTOR	
IC7		TC74HC4094AFF	MOS-IC		L6		L92-0641-05	FERRITE CORE	
IC8		TC74HC4094AFF	MOS-IC		L7		L92-0641-05	FERRITE CORE	
IC9		TC74HC4094AFF	MOS-IC		L8		L39-1434-25	TOROIDAL COIL	
IC10		TC74HC4094AFF	MOS-IC		L9		L39-1451-05	TOROIDAL COIL	
K1		S51-1420-05	RELAY		L10		L39-1569-05	TOROIDAL COIL	
K2		S51-1420-05	RELAY		L11		L34-4928-05	COIL	
K3		S76-0423-05	RELAY		L15		L39-1550-05	TOROIDAL COIL	
K4		S76-0423-05	RELAY		L16		L39-0421-04	COIL	
K5		S76-0423-05	RELAY		L17		L34-4925-15	AIR-CORE COIL	
K6		S76-0423-05	RELAY		L18		L39-1456-15	TOROIDAL COIL	
K7		S76-0423-05	RELAY		L19		L34-1282-05	AIR-CORE COIL	
K8		S76-0423-05	RELAY		L20		L34-4926-05	AIR-CORE COIL	
K9		S76-0423-05	RELAY		L21		L39-1259-15	TOROIDAL COIL	
K10		S51-1420-05	RELAY		L22		L39-1547-05	TOROIDAL COIL	
K11		S76-0423-05	RELAY		L23		L34-1282-05	AIR-CORE COIL	
K12		S76-0423-05	RELAY		L24		L39-1457-15	TOROIDAL COIL	
K13		S76-0423-05	RELAY		L25		L39-1457-15	TOROIDAL COIL	
K14		S76-0423-05	RELAY		L26		L39-1221-15	TOROIDAL COIL	
K15		S76-0423-05	RELAY		L27		L39-1519-15	TOROIDAL COIL	
K16		S76-0423-05	RELAY		L28		L39-1570-05	TOROIDAL COIL	
K17		S51-1420-05	RELAY		L29		L39-1549-05	TOROIDAL COIL	
K18		S76-0423-05	RELAY		L30		L39-1260-15	TOROIDAL COIL	
K19		S76-0415-05	RELAY		L31		L39-1546-05	TOROIDAL COIL	
K20		S76-0415-05	RELAY		L32		L39-1405-15	TOROIDAL COIL	
K21		S76-0460-05	RELAY		L33		L39-1457-15	TOROIDAL COIL	
K22		S76-0460-05	RELAY		L34		L39-1221-15	TOROIDAL COIL	
K23		S76-0415-05	RELAY		L35		L34-4925-15	AIR-CORE COIL	
K24		S76-0460-05	RELAY		L36		L34-1281-05	AIR-CORE COIL	
K25		S76-0460-05	RELAY		L37		L39-1456-15	TOROIDAL COIL	
K26		S76-0415-05	RELAY		L38		L34-4927-05	AIR-CORE COIL	
K27		S76-0460-05	RELAY		L39		L34-1231-15	AIR-CORE COIL	
K28		S76-0460-05	RELAY		L40		L39-0480-15	TOROIDAL COIL	
K29		S76-0415-05	RELAY		L41		L39-1442-05	TOROIDAL COIL	
K30		S76-0460-05	RELAY		L42		L39-1443-05	TOROIDAL COIL	
K31		S76-0460-05	RELAY		L43		L33-1554-05	CHOKE COIL	
K32		S76-0415-05	RELAY		L44		L39-1440-15	TOROIDAL COIL	
K33		S76-0460-05	RELAY		L45		L39-1440-15	TOROIDAL COIL	
K34		S76-0460-05	RELAY		L46		L34-4633-05	AIR-CORE COIL	
K35		S76-0415-05	RELAY		L47		L34-4630-05	AIR-CORE COIL	

## PARTS LIST

### FINAL UNIT (X45-398X-XX)

Ref.No	Address	Parts No.	Description	Destination	Ref.No	Address	Parts No.	Description	Destination
L48		L34-4490-05	AIR-CORE COIL		L507		L41-4705-52	SMALL FIXED INDUCTOR(47UH)	
L49		L34-4490-05	AIR-CORE COIL		L508		L41-4785-52	SMALL FIXED INDUCTOR(0.47UH)	
L50		L34-4628-05	AIR-CORE COIL		L509		L34-4811-05	AIR-CORE COIL	
L51		L34-4490-05	AIR-CORE COIL		Q5		RRH140P03	FET	
L52		L34-4490-05	AIR-CORE COIL		Q101		2SC4617(R)	TRANSISTOR	
L53		L39-1568-05	TOROIDAL COIL		Q251		CPH3910	FET	
L101		L41-4705-33	SMALL FIXED INDUCTOR(47UH)		Q252		CPH3910	FET	
L102		L41-4705-33	SMALL FIXED INDUCTOR(47UH)		Q253		DTB143EK	DIGITAL TRANSISTOR	
L103		L41-4705-33	SMALL FIXED INDUCTOR(47UH)		Q254		2SC4617(R)	TRANSISTOR	
L104		L41-4705-33	SMALL FIXED INDUCTOR(47UH)		Q501		LTC023YEBFS8	TRANSISTOR	
L105		L41-4705-33	SMALL FIXED INDUCTOR(47UH)		Q502		LTC023YEBFS8	TRANSISTOR	
L106		L41-4705-33	SMALL FIXED INDUCTOR(47UH)		Q503		LTC023YEBFS8	TRANSISTOR	
L107		L41-4705-33	SMALL FIXED INDUCTOR(47UH)		Q504		LTC023YEBFS8	TRANSISTOR	
L108		L41-4705-33	SMALL FIXED INDUCTOR(47UH)		Q505		LTC023YEBFS8	TRANSISTOR	
L109		L41-4705-33	SMALL FIXED INDUCTOR(47UH)		Q506		LTC023YEBFS8	TRANSISTOR	
L112		L41-4705-33	SMALL FIXED INDUCTOR(47UH)		Q507		LTC023YEBFS8	TRANSISTOR	
L251		L33-0695-05	SMALL FIXED INDUCTOR		Q508		LTC023YEBFS8	TRANSISTOR	
L252		L41-1585-52	SMALL FIXED INDUCTOR(0.15UH)		Q509		DTB143EK	DIGITAL TRANSISTOR	
L254		L41-4705-52	SMALL FIXED INDUCTOR(47UH)		Q510		DTB143EK	DIGITAL TRANSISTOR	
L255		LR79Q0CW222J	CHIP INDUCTOR		Q511		LTC023YEBFS8	TRANSISTOR	
L257		L41-4705-52	SMALL FIXED INDUCTOR(47UH)		Q513		LTC023YEBFS8	TRANSISTOR	
L259		L41-4705-52	SMALL FIXED INDUCTOR(47UH)		Q514		DTB143EK	DIGITAL TRANSISTOR	
L260		L41-4705-52	SMALL FIXED INDUCTOR(47UH)		Q515		LTC023YEBFS8	TRANSISTOR	
L304		L41-4705-33	SMALL FIXED INDUCTOR(47UH)		Q516		LTC023YEBFS8	TRANSISTOR	
L306		L41-4705-33	SMALL FIXED INDUCTOR(47UH)		Q517		LTC023YEBFS8	TRANSISTOR	
L307		L41-4705-33	SMALL FIXED INDUCTOR(47UH)		Q518		LTC023YEBFS8	TRANSISTOR	
L308		L41-4705-33	SMALL FIXED INDUCTOR(47UH)		Q519		LTC023YEBFS8	TRANSISTOR	
L310		L41-4705-33	SMALL FIXED INDUCTOR(47UH)		Q520		LTC023YEBFS8	TRANSISTOR	
L311		L41-4705-33	SMALL FIXED INDUCTOR(47UH)		Q521		LTC023YEBFS8	TRANSISTOR	
L312		L41-4705-33	SMALL FIXED INDUCTOR(47UH)		Q522		LTC023YEBFS8	TRANSISTOR	
L314		L41-4705-33	SMALL FIXED INDUCTOR(47UH)		Q523		LTC023YEBFS8	TRANSISTOR	
L315		L41-4705-33	SMALL FIXED INDUCTOR(47UH)		Q524		LTC023YEBFS8	TRANSISTOR	
L316		L41-4705-33	SMALL FIXED INDUCTOR(47UH)		Q525		SSM3K15AFS-F	FET	
L318		L41-4705-33	SMALL FIXED INDUCTOR(47UH)		Q526		SSM3K15AFS-F	FET	
L319		L41-4705-33	SMALL FIXED INDUCTOR(47UH)		Q527		LTC023YEBFS8	TRANSISTOR	
L320		L41-4705-33	SMALL FIXED INDUCTOR(47UH)		Q528		LTC023YEBFS8	TRANSISTOR	
L322		L41-4705-33	SMALL FIXED INDUCTOR(47UH)		Q529		LTC023YEBFS8	TRANSISTOR	
L323		L41-4705-33	SMALL FIXED INDUCTOR(47UH)		Q530		LTC023YEBFS8	TRANSISTOR	
L324		L41-4705-33	SMALL FIXED INDUCTOR(47UH)		Q531		LTC023YEBFS8	TRANSISTOR	
L326		L41-4705-33	SMALL FIXED INDUCTOR(47UH)		Q532		LTC023YEBFS8	TRANSISTOR	
L327		L41-4705-33	SMALL FIXED INDUCTOR(47UH)		Q533		LTC023YEBFS8	TRANSISTOR	
L328		L41-4705-33	SMALL FIXED INDUCTOR(47UH)		Q534		LTC023YEBFS8	TRANSISTOR	
L330		L41-4705-33	SMALL FIXED INDUCTOR(47UH)		Q535		LTC023YEBFS8	TRANSISTOR	
L331		L41-4705-33	SMALL FIXED INDUCTOR(47UH)		Q536		LTC023YEBFS8	TRANSISTOR	
L332		L41-4705-33	SMALL FIXED INDUCTOR(47UH)		Q537		LTC023YEBFS8	TRANSISTOR	
L334		L41-4705-33	SMALL FIXED INDUCTOR(47UH)		Q538		LTC023YEBFS8	TRANSISTOR	
L335		L41-4705-33	SMALL FIXED INDUCTOR(47UH)		Q539		LTC023YEBFS8	TRANSISTOR	
L336		L41-4705-33	SMALL FIXED INDUCTOR(47UH)		Q540		LTC023YEBFS8	TRANSISTOR	
L501		L41-1005-52	SMALL FIXED INDUCTOR(10UH)		Q541		LTC023YEBFS8	TRANSISTOR	
L502		L41-1005-52	SMALL FIXED INDUCTOR(10UH)		Q542		LTC023YEBFS8	TRANSISTOR	
L503		L92-0641-05	FERRITE CORE		Q543		LTC023YEBFS8	TRANSISTOR	
L504		L92-0641-05	FERRITE CORE		Q544		LTC023YEBFS8	TRANSISTOR	
L505		L41-4705-52	SMALL FIXED INDUCTOR(47UH)		R1		RK73EB2E101J	CHIP R	100 J 1/4W
L506		L41-4705-52	SMALL FIXED INDUCTOR(47UH)						

## PARTS LIST

FINAL UNIT (X45-398X-XX)

Ref.No	Address	Parts No.	Description	Desti-nation	Ref.No	Address	Parts No.	Description	Desti-nation
R2		RK73GB2A470J	CHIP R 47 J 1/10W		R257		RK73GB2A104J	CHIP R 100K J 1/10W	
R3		RK73GB2A121J	CHIP R 120 J 1/10W		R258		RK73GB2A104J	CHIP R 100K J 1/10W	
R4		RK73GB2A101J	CHIP R 100 J 1/10W		R259		RK73GB2A103J	CHIP R 10K J 1/10W	
R5		RK73GB2A681J	CHIP R 680 J 1/10W		R260		RK73GB2A103J	CHIP R 10K J 1/10W	
R6		RK73GB2A472J	CHIP R 4.7K J 1/10W		R261		RK73GB2A471J	CHIP R 470 J 1/10W	
R7		RK73GB2A100J	CHIP R 10 J 1/10W		R262		RK73GB2A471J	CHIP R 470 J 1/10W	
R8		R92-3625-05	RESISTOR		R263		RK73GB2A102J	CHIP R 1.0K J 1/10W	
R10		RK73FB2B000J	CHIP R 0.0 J 1/8W		R264		RK73GB2A102J	CHIP R 1.0K J 1/10W	
R11		RK73FB2B121J	CHIP R 120 J 1/8W		R265		RK73RB2H330J	CHIP R 33 J 1/2W	
R13		RK73GB2A472J	CHIP R 4.7K J 1/10W		R266		RK73RB2H330J	CHIP R 33 J 1/2W	
R14		RK73EB2E5R6J	CHIP R 5.6 J 1/4W		R267		RK73GB2A105J	CHIP R 1.0M J 1/10W	
R15		R92-3625-05	RESISTOR		R268		RK73GB2A105J	CHIP R 1.0M J 1/10W	
R16		R92-3625-05	RESISTOR		R269		RK73FB2B000J	CHIP R 0.0 J 1/8W	
R17		RS14DB3A470J	FL-PROOF RS 47 J 1W		R270		RK73FB2B000J	CHIP R 0.0 J 1/8W	
R18		RK73FB2B102J	CHIP R 1.0K J 1/8W		R271		RK73FB2B000J	CHIP R 0.0 J 1/8W	
R19		RK73FB2B102J	CHIP R 1.0K J 1/8W		R272		RK73GB2A223J	CHIP R 22K J 1/10W	
R20		RS14DB3A151J	FL-PROOF RS 150 J 1W		R273		R92-1316-05	CHIP R 39 J 1W	
R21		RS14DB3A151J	FL-PROOF RS 150 J 1W		R274		RK73GB2A103J	CHIP R 10K J 1/10W	
R22		RK73FB2B152J	CHIP R 1.5K J 1/8W		R275		RK73GB2A103J	CHIP R 10K J 1/10W	
R23		RK73FB2B152J	CHIP R 1.5K J 1/8W		R276		RK73FB2B101J	CHIP R 100 J 1/8W	
R24		RK73FB2B102J	CHIP R 1.0K J 1/8W		R277		RK73GB2A223J	CHIP R 22K J 1/10W	
R25		RK73FB2B223J	CHIP R 22K J 1/8W		R278		RK73FB2B101J	CHIP R 100 J 1/8W	
R26		RK73FB2B223J	CHIP R 22K J 1/8W		R279		RK73FB2B101J	CHIP R 100 J 1/8W	
R27		RK73EB2E1R0J	CHIP R 1.0 J 1/4W		R280		RK73FB2B104J	CHIP R 100K J 1/8W	
R28		RK73EB2E1R0J	CHIP R 1.0 J 1/4W		R281		RK73FB2B104J	CHIP R 100K J 1/8W	
R29		RK73EB2E1R0J	CHIP R 1.0 J 1/4W		R282		RK73FB2B104J	CHIP R 100K J 1/8W	
R30		RK73EB2E1R0J	CHIP R 1.0 J 1/4W		R283		RK73FB2B104J	CHIP R 100K J 1/8W	
R31		RK73EB2E1R0J	CHIP R 1.0 J 1/4W		R284		RK73GB2A103J	CHIP R 10K J 1/10W	
R32		RK73EB2E1R0J	CHIP R 1.0 J 1/4W		R285		RK73GB2A222J	CHIP R 2.2K J 1/10W	
R33		RS14DB3D180J	FL-PROOF RS 18 J 2W		R501		RK73FB2B101J	CHIP R 100 J 1/8W	
R34		RS14DB3D180J	FL-PROOF RS 18 J 2W		R502		RK73FB2B101J	CHIP R 100 J 1/8W	
R35		RK73FB2B102J	CHIP R 1.0K J 1/8W		R503		RK73FB2B101J	CHIP R 100 J 1/8W	
R36		RS14DB3A4R7J	FL-PROOF RS 4.7 J 1W		R504		RK73PB2H2R2J	CHIP R 2.2 J 1/2W	
R37		R92-3636-05	RESISTOR		R505		RK73PB2H2R2J	CHIP R 2.2 J 1/2W	
R38		R92-3636-05	RESISTOR		R506		RK73PB2H1R0J	CHIP R 1.0 J 1/2W	
R39		R92-3636-05	RESISTOR		R507		RK73PB2H1R0J	CHIP R 1.0 J 1/2W	
R50		R92-0150-05	JUMPER REST 0 OHM		R508		RK73PB2H1R0J	CHIP R 1.0 J 1/2W	
R51		R92-0150-05	JUMPER REST 0 OHM		R509		RK73PB2H2R2J	CHIP R 2.2 J 1/2W	
R55		RS14DB3D8R2J	FL-PROOF RS 8.2 J 2W		R510		RK73PB2H1R0J	CHIP R 1.0 J 1/2W	
R56		RS14DB3D470J	FL-PROOF RS 47 J 2W		R511		RK73PB2H1R0J	CHIP R 1.0 J 1/2W	
R60		RK73GB2A562J	CHIP R 5.6K J 1/10W		R512		RK73PB2H1R0J	CHIP R 1.0 J 1/2W	
R61		RK73GB2A562J	CHIP R 5.6K J 1/10W		R513		RK73GB2A101J	CHIP R 100 J 1/10W	
R101		RK73GB2A222J	CHIP R 2.2K J 1/10W		R514		RK73GB2A101J	CHIP R 100 J 1/10W	
R102		RK73GH2A152D	CHIP R 1.5K D 1/10W		R515		RK73GB2A101J	CHIP R 100 J 1/10W	
R104		RK73GB2A103J	CHIP R 10K J 1/10W		R518		RK73GB2A101J	CHIP R 100 J 1/10W	
R105		RK73GB2A103J	CHIP R 10K J 1/10W		R519		RK73GB2A101J	CHIP R 100 J 1/10W	
R249		RK73GB2A224J	CHIP R 220K J 1/10W		R520		RK73PB2H2R2J	CHIP R 2.2 J 1/2W	
R250		RK73GB2A224J	CHIP R 220K J 1/10W		R521		RK73GB2A223J	CHIP R 22K J 1/10W	
R251		RK73FB2B103J	CHIP R 10K J 1/8W		R522		RK73GB2A103J	CHIP R 10K J 1/10W	
R252		RK73GB2A102J	CHIP R 1.0K J 1/10W		R523		RK73GB2A102J	CHIP R 1.0K J 1/10W	
R253		RK73GB2A102J	CHIP R 1.0K J 1/10W		R524		RK73GB2A102J	CHIP R 1.0K J 1/10W	
R254		RK73FB2B101J	CHIP R 100 J 1/8W		R525		RK73FB2B101J	CHIP R 100 J 1/8W	
R255		RK73FB2B101J	CHIP R 100 J 1/8W		R526		RK73FB2B101J	CHIP R 100 J 1/8W	
R256		RK73FB2B100J	CHIP R 10 J 1/8W		R527		RK73FB2B101J	CHIP R 100 J 1/8W	
					R528		RK73GB2A104G	CHIP R 100K G 1/10W	

## PARTS LIST

FINAL UNIT (X45-398X-XX)  
CONTROL UNIT (XC1-021X-XX)

Ref.No	Address	Parts No.	Description	Desti- nation
R529		RK73GB2A103J	CHIP R 10K J 1/10W	
R530		RK73FB2B101J	CHIP R 100 J 1/8W	
R531		RK73FB2B101J	CHIP R 100 J 1/8W	
R532		RK73FB2B101J	CHIP R 100 J 1/8W	
R533		RK73EB2E000J	CHIP R 0.0 J 1/4W	
R534		RK73EB2E000J	CHIP R 0.0 J 1/4W	
R535		RK73EB2E000J	CHIP R 0.0 J 1/4W	
R536		RK73EB2E000J	CHIP R 0.0 J 1/4W	
R540		RK73GB2A221J	CHIP R 220 J 1/10W	
R541		RK73GB2A221J	CHIP R 220 J 1/10W	
R542		RK73FB2B101J	CHIP R 100 J 1/8W	
R902		RK73GB2A000J	CHIP R 0.0 J 1/10W	K
R903		RK73GB2A000J	CHIP R 0.0 J 1/10W	E
TC1		C05-0370-05	CERAMIC TRIMMER CAPACITOR(20P)	
TH1		NCP18XH103F0S	NEGATIVE TEMP THERMISTOR	
VR1		R12-6736-05	TRIMMING POT.(2.2K)	
VR2		R12-6736-05	TRIMMING POT.(2.2K)	
VR3		R12-6740-05	TRIMMING POT.(10K)	
VR4		R12-6740-05	TRIMMING POT.(10K)	
VR5		R12-6742-05	TRIMMING POT.(22K)	
W1		E37-1480-05	LEAD WIRE WITH TERMINAL	
W2		E37-1508-15	LEAD WIRE WITH MINIPIN PLUG	
W3		E37-1479-15	LEAD WIRE WITH MINIPIN PLUG	
W6		E37-1486-05	LEAD WIRE WITH CONNECTOR	

Ref.No	Address	Parts No.	Description	Desti- nation
<b>CONTROL UNIT (XC1-021X-XX)</b>				
202		E18-0254-05 F20-3401-04	SOCKET INSULATING SHEET	
C1		CK73GB1H104K	CHIP C 0.10UF K	
C2		CK73EB1E225K	CHIP C 2.2UF K	
C3		CD04BQ1V101M	ALUMINIUM ELECTRO CAPACITOR	
C4		CD04BQ1V101M	ALUMINIUM ELECTRO CAPACITOR	
C5		CK73EB1E225K	CHIP C 2.2UF K	
C6		CK73EB1E225K	CHIP C 2.2UF K	
C7		CK73EB1E225K	CHIP C 2.2UF K	
C8		CK73GB1H102K	CHIP C 1000PF K	
C9		CK73GB1A474K	CHIP C 0.47UF K	
C10		CK73GB1C225K	CHIP C 2.2UF K	
C11		CC73GCH1H101J	CHIP C 100PF J	
C12		CK73EB1E225K	CHIP C 2.2UF K	
C13		CC73GCH1H471J	CHIP C 470PF J	
C14		CK73EB1E106K	CHIP C 10UF K	
C15		CK73EB1E106K	CHIP C 10UF K	
C16		CK73EB1E106K	CHIP C 10UF K	
C17		CK73GB1H104K	CHIP C 0.10UF K	
C18		CD04BQ1V101M	ALUMINIUM ELECTRO CAPACITOR	
C19		CD04BQ1V101M	ALUMINIUM ELECTRO CAPACITOR	
C20		CD04BQ1V101M	ALUMINIUM ELECTRO CAPACITOR	
C21		CD04BQ1V101M	ALUMINIUM ELECTRO CAPACITOR	
C22		CK73EB1E225K	CHIP C 2.2UF K	
C23		CK73EB1E225K	CHIP C 2.2UF K	

Ref.No	Address	Parts No.	Description	Desti- nation
C24		CK73EB1E225K	CHIP C 2.2UF K	
C25		CK73GB1H102K	CHIP C 1000PF K	
C26		CK73GB1A474K	CHIP C 0.47UF K	
C27		CK73GB1C225K	CHIP C 2.2UF K	
C28		CC73GCH1H101J	CHIP C 100PF J	
C29		C93-1875-05	CHIP C 22UF J	
C30		CC73GCH1H471J	CHIP C 470PF J	
C31		CK73EB1E106K	CHIP C 10UF K	
C32		CK73EB1E106K	CHIP C 10UF K	
C33		CK73EB1E106K	CHIP C 10UF K	
C34		CK73GB1H104K	CHIP C 0.10UF K	
C35		CD04BQ1V101M	ALUMINIUM ELECTRO CAPACITOR	
C36		CD04BQ1V101M	ALUMINIUM ELECTRO CAPACITOR	
C37		CK73GB1H103K	CHIP C 0.010UF K	
C38		CK73GB1E105K	CHIP C 1.0UF K	
C39		CK73EB1A106K	CHIP C 10UF K	
C41		CK73GB1H104K	CHIP C 0.10UF K	
C42		CK73GB1E105K	CHIP C 1.0UF K	
C43		CK73GB1H104K	CHIP C 0.10UF K	
C44		C92-0889-05	ELECTRO 330UF 6.3WV	
C45		CK73GB1H104K	CHIP C 0.10UF K	
C46		CK73GB1E105K	CHIP C 1.0UF K	
C47		CK73GB1H104K	CHIP C 0.10UF K	
C48		CE32CL1C470M	CHIP EL 47UF 16WV	
C49		CK73GB1H104K	CHIP C 0.10UF K	
C50		CK73GB1H102K	CHIP C 1000PF K	
C51		CK73GB1H104K	CHIP C 0.10UF K	
C52		CK73EB1E106K	CHIP C 10UF K	
C53		CK73EB1E106K	CHIP C 10UF K	
C54		CK73EB1E106K	CHIP C 10UF K	
C55		CK73GB1E105K	CHIP C 1.0UF K	
C56		CK73GB1E105K	CHIP C 1.0UF K	
C57		CK73GB1E105K	CHIP C 1.0UF K	
C58		CK73GB1E105K	CHIP C 1.0UF K	
C59		CK73GB1E105K	CHIP C 1.0UF K	
C60		CK73GB1E105K	CHIP C 1.0UF K	
C61		CK73GB1E105K	CHIP C 1.0UF K	
C62		CK73GB1E105K	CHIP C 1.0UF K	
C63		CK73GB1H104K	CHIP C 0.10UF K	
C64		CK73GB1H104K	CHIP C 0.10UF K	
C65		CK73GB1E105K	CHIP C 1.0UF K	
C66		CK73GB1H102K	CHIP C 1000PF K	
C67		CK73GB1H102K	CHIP C 1000PF K	
C68		CK73GB1H102K	CHIP C 1000PF K	
C69		CK73GB1H102K	CHIP C 1000PF K	
C70		CK73GB1A105K	CHIP C 1.0UF K	
C71		CK73GB1H102K	CHIP C 1000PF K	
C72		CK73GB1H102K	CHIP C 1000PF K	
C73		CK73GB1H102K	CHIP C 1000PF K	
C74		CK73GB1H102K	CHIP C 1000PF K	
C75		CK73GB1H102K	CHIP C 1000PF K	
C76		CK73GB1H102K	CHIP C 1000PF K	
C77		CK73GB1H102K	CHIP C 1000PF K	
C78		CK73GB1E105K	CHIP C 1.0UF K	
C79		CK73GB1H102K	CHIP C 1000PF K	

## PARTS LIST

### CONTROL UNIT (XC1-021X-XX)

Ref.No	Address	Parts No.	Description	Desti-nation	Ref.No	Address	Parts No.	Description	Desti-nation
C80		CK73FBOJ106K	CHIP C 10UF K		C148		CK73FBOJ106K	CHIP C 10UF K	
C81		CK73GB1H102K	CHIP C 1000PF K		C149		CC73GCH1H470J	CHIP C 47PF J	
C82		CK73FBOJ106K	CHIP C 10UF K		C150		CK73GB1H222K	CHIP C 2200PF K	
C83		CK73GB1E105K	CHIP C 1.0UF K		C151		CK73GB1C224K	CHIP C 0.22UF K	
C84		CK73GB1H102K	CHIP C 1000PF K		C152		CK73GB1H104K	CHIP C 0.10UF K	
C85		CK73GB1H102K	CHIP C 1000PF K		C153		CK73GB1H104K	CHIP C 0.10UF K	
C86		CK73GB1H102K	CHIP C 1000PF K		C154		CK73FBOJ106K	CHIP C 10UF K	
C87		CK73GB1E105K	CHIP C 1.0UF K		C155		CK73FBOJ106K	CHIP C 10UF K	
C88		CK73GB1H102K	CHIP C 1000PF K		C156		CD04AZ1E221M	ELECTRO 220UF 25WV	
C90		CK73GB1H102K	CHIP C 1000PF K		C157		CD04AZ1E471M	ELECTRO 470UF 25WV	
C91		CK73GB1H102K	CHIP C 1000PF K		C158		C90-4155-05	ELECTRO 1000UF 16WV	
C92		CK73GB1H102K	CHIP C 1000PF K		C159		CK73GB1H104K	CHIP C 0.10UF K	
C93		CK73GB1H102K	CHIP C 1000PF K		C160		CE32CL1H4R7M	CHIP EL 4.7UF 50WV	
C96		CD04AZ1E471M	ELECTRO 470UF 25WV		C161		CK73GB1H473K	CHIP C 0.047UF K	
C97		CD04AZ1E471M	ELECTRO 470UF 25WV		C162		CK73GB1E105K	CHIP C 1.0UF K	
C98		CK73FB1E104K	CHIP C 0.10UF K		C163		CK73GB1H182K	CHIP C 1800PF K	
C99		CK73FB1E104K	CHIP C 0.10UF K		C164		CK73GB1H103K	CHIP C 0.010UF K	
C100		CK73GB1H223K	CHIP C 0.022UF K		C166		CK73GB1C225K	CHIP C 2.2UF K	
C102		CK73GB1H104K	CHIP C 0.10UF K		C167		CK73GB1H222K	CHIP C 2200PF K	
C104		CK73GB1H103K	CHIP C 0.010UF K		C168		CK73GB1H122K	CHIP C 1200PF K	
C106		CK73GB1H223K	CHIP C 0.022UF K		C169		CK73GB1H104K	CHIP C 0.10UF K	
C107		CK73GB1H104K	CHIP C 0.10UF K		C170		CK73GB1H104K	CHIP C 0.10UF K	
C109		CK73GB1C225K	CHIP C 2.2UF K		C171		CC73GCH1H331J	CHIP C 330PF J	
C110		CK73GB1H182K	CHIP C 1800PF K		C172		CC73GCH1H470J	CHIP C 47PF J	
C111		CK73GB1H104K	CHIP C 0.10UF K		C173		CK73GB1C225K	CHIP C 2.2UF K	
C112		CK73GB1H104K	CHIP C 0.10UF K		C174		CK73GB1E105K	CHIP C 1.0UF K	
C113		CK73GB1H152K	CHIP C 1500PF K		C175		CC73GCH1H331J	CHIP C 330PF J	
C114		CK73GB1C225K	CHIP C 2.2UF K		C176		CC73GCH1H101J	CHIP C 100PF J	
C115		CK73GB1C225K	CHIP C 2.2UF K		C177		CK73GB1H103K	CHIP C 0.010UF K	
C116		CK73GB1H103K	CHIP C 0.010UF K		C178		CK73GB1H103K	CHIP C 0.010UF K	
C117		CK73GB1H222K	CHIP C 2200PF K		C179		CK73GB1H104K	CHIP C 0.10UF K	
C118		CK73GB1H222K	CHIP C 2200PF K		C180		CK73GB1H104K	CHIP C 0.10UF K	
C119		CK73GB1H104K	CHIP C 0.10UF K		C181		CK73GB1H222K	CHIP C 2200PF K	
C120		CK73GB1H104K	CHIP C 0.10UF K		C182		CC73GCH1H681J	CHIP C 680PF J	
C121		CC73GCH1H471J	CHIP C 470PF J		C183		CK73GB1C225K	CHIP C 2.2UF K	
C122		CC73GCH1H471J	CHIP C 470PF J		C184		CK73GB1E105K	CHIP C 1.0UF K	
C123		CK73GB1H103K	CHIP C 0.010UF K		C185		CK73GB1H103K	CHIP C 0.010UF K	
C126		CK73FBOJ106K	CHIP C 10UF K		C186		CC73GCH1H221J	CHIP C 220PF J	
C127		CK73GB1H104K	CHIP C 0.10UF K		C187		CC73GCH1H681J	CHIP C 680PF J	
C128		CK73GB1H122K	CHIP C 1200PF K		C188		CC73GCH1H680J	CHIP C 68PF J	
C129		CK73GB1H104K	CHIP C 0.10UF K		C189		CC73GCH1H101J	CHIP C 100PF J	
C130		CC73GCH1H560J	CHIP C 56PF J		C190		CK73GB1H152K	CHIP C 1500PF K	
C131		CK73FBOJ106K	CHIP C 10UF K		C191		CC73GCH1H331J	CHIP C 330PF J	
C132		CK73FBOJ106K	CHIP C 10UF K		C192		CK73GB1H104K	CHIP C 0.10UF K	
C133		CK73GB1H103K	CHIP C 0.010UF K		C193		CK73FBOJ106K	CHIP C 10UF K	
C134		CC73GCH1H821J	CHIP C 820PF J		C196		CK73GB1H102K	CHIP C 1000PF K	
C135		CC73GCH1H821J	CHIP C 820PF J		C197		CK73GB1C225K	CHIP C 2.2UF K	
C136		CK73GB1H104K	CHIP C 0.10UF K		C198		CK73GB1A105K	CHIP C 1.0UF K	
C137		CK73GB1H104K	CHIP C 0.10UF K		C199		CK73GB1C225K	CHIP C 2.2UF K	
C138		CC73GCH1H121J	CHIP C 120PF J		C200		CK73GB1C225K	CHIP C 2.2UF K	
C139		CC73GCH1H121J	CHIP C 120PF J		C201		CK73GB1H332K	CHIP C 3300PF K	
C140		CK73GB1H103K	CHIP C 0.010UF K		C202		CK73GB1H104K	CHIP C 0.10UF K	
C145		CK73GB1H104K	CHIP C 0.10UF K		C203		CC73GCH1H331J	CHIP C 330PF J	
C146		CK73FBOJ106K	CHIP C 10UF K		C204		CK73GB1C225K	CHIP C 2.2UF K	
C147		CK73GB1H104K	CHIP C 0.10UF K		C205		CC73GCH1H331J	CHIP C 330PF J	

## PARTS LIST

### CONTROL UNIT (XC1-021X-XX)

Ref.No	Address	Parts No.	Description	Desti-nation	Ref.No	Address	Parts No.	Description	Desti-nation
C206		CK73GB1H104K	CHIP C 0.10UF K		C269		CK73GB1E105K	CHIP C 1.0UF K	
C207		CK73GB1H103K	CHIP C 0.010UF K		C270		CC73GCH1H471J	CHIP C 470PF J	
C208		CK73GB1H332K	CHIP C 3300PF K		C271		CK73GB1H104K	CHIP C 0.10UF K	
C209		CK73GB1C225K	CHIP C 2.2UF K		C272		CK73GB1H222K	CHIP C 2200PF K	
C210		CK73GB1E105K	CHIP C 1.0UF K		C273		CK73GB1E105K	CHIP C 1.0UF K	
C211		CK73GB1H222K	CHIP C 2200PF K		C274		CK73GB1H104K	CHIP C 0.10UF K	
C212		CK73GB1H104K	CHIP C 0.10UF K		C275		CK73FB0J106K	CHIP C 10UF K	
C213		CC73GCH1H471J	CHIP C 470PF J		C276		CK73GB1H104K	CHIP C 0.10UF K	
C214		CK73GB1E105K	CHIP C 1.0UF K		C277		CK73FB0J106K	CHIP C 10UF K	
C215		CC73GCH1H471J	CHIP C 470PF J		C278		CK73GB1H104K	CHIP C 0.10UF K	
C216		CK73GB1H104K	CHIP C 0.10UF K		C279		CK73FB0J106K	CHIP C 10UF K	
C217		CK73GB1H103K	CHIP C 0.010UF K		C280		CK73GB1H104K	CHIP C 0.10UF K	
C218		CK73GB1H222K	CHIP C 2200PF K		C281		CK73FB0J106K	CHIP C 10UF K	
C219		CK73GB1E105K	CHIP C 1.0UF K		C283		CK73GB1H104K	CHIP C 0.10UF K	
C220		CK73FB0J106K	CHIP C 10UF K		C285		CK73GB1H104K	CHIP C 0.10UF K	
C221		CK73GB1H104K	CHIP C 0.10UF K		C286		CK73EB1A106K	CHIP C 10UF K	
C222		CK73FB0J106K	CHIP C 10UF K		C287		C93-1875-05	CHIP C 22UF J	
C225		CK73GB1E105K	CHIP C 1.0UF K		C289		CK73FB0J106K	CHIP C 10UF K	
C226		CC73GCH1H821J	CHIP C 820PF J		C290		CK73GB1E105K	CHIP C 1.0UF K	
C227		CK73GB1H104K	CHIP C 0.10UF K		C291		CK73GB1E105K	CHIP C 1.0UF K	
C228		CC73GCH1H151J	CHIP C 150PF J		C292		CK73FB0J106K	CHIP C 10UF K	
C229		CK73GB1E105K	CHIP C 1.0UF K		C293		CK73GB1H103K	CHIP C 0.010UF K	
C230		CC73GCH1H151J	CHIP C 150PF J		C295		CE32BM1C101M	CHIP EL 100UF 16WV	
C231		CK73GB1H104K	CHIP C 0.10UF K		C297		CD04BQ1C471M	ALUMINIUM ELECTRO CAPACITOR	
C232		CK73GB1H103K	CHIP C 0.010UF K		C299		CK73GB1H102K	CHIP C 1000PF K	
C233		CC73GCH1H821J	CHIP C 820PF J		C300		CK73GB1H102K	CHIP C 1000PF K	
C234		CK73GB1E105K	CHIP C 1.0UF K		C301		CD04BQ1C471M	ALUMINIUM ELECTRO CAPACITOR	
C235		CK73GB1H103K	CHIP C 0.010UF K		C302		CC73GCH1H101J	CHIP C 100PF J	
C239		CK73GB1H102K	CHIP C 1000PF K		C303		CC73GCH1H101J	CHIP C 100PF J	
C240		CK73GB1H104K	CHIP C 0.10UF K		C304		CC73GCH1H101J	CHIP C 100PF J	
C241		CK73FB0J106K	CHIP C 10UF K		C305		C93-0912-05	CHIP C 100UF M	
C242		CK73FB0J106K	CHIP C 10UF K		C306		CK73GB1H104K	CHIP C 0.10UF K	
C243		CK73FB0J106K	CHIP C 10UF K		C307		CK73GB1H104K	CHIP C 0.10UF K	
C244		CK73GB1H104K	CHIP C 0.10UF K		C308		CK73GB1H104K	CHIP C 0.10UF K	
C247		CK73GB1H104K	CHIP C 0.10UF K		C310		CK73GB1H104K	CHIP C 0.10UF K	
C248		CK73FB0J106K	CHIP C 10UF K		C311		CK73GB1H104K	CHIP C 0.10UF K	
C249		CK73GB1H222K	CHIP C 2200PF K		C312		CK73GB1H104K	CHIP C 0.10UF K	
C250		CK73GB1E105K	CHIP C 1.0UF K		C313		CK73GB1H104K	CHIP C 0.10UF K	
C251		CC73GCH1H331J	CHIP C 330PF J		C314		CC73GCH1H101J	CHIP C 100PF J	
C252		CK73GB1H103K	CHIP C 0.010UF K		C315		CC73GCH1H101J	CHIP C 100PF J	
C253		CK73GB1H103K	CHIP C 0.010UF K		C316		CK73GB1H104K	CHIP C 0.10UF K	
C254		CK73GB1E105K	CHIP C 1.0UF K		C317		CK73GB1H104K	CHIP C 0.10UF K	
C255		CK73GB1H222K	CHIP C 2200PF K		C318		CK73GB1H104K	CHIP C 0.10UF K	
C256		CK73GB1H103K	CHIP C 0.010UF K		C319		CK73GB1H104K	CHIP C 0.10UF K	
C257		CK73GB1H104K	CHIP C 0.10UF K		C320		CK73GB1H102K	CHIP C 1000PF K	
C258		CC73GCH1H471J	CHIP C 470PF J		C321		CK73GB1H104K	CHIP C 0.10UF K	
C259		CK73GB1E105K	CHIP C 1.0UF K		C322		CK73GB1H104K	CHIP C 0.10UF K	
C260		CC73GCH1H471J	CHIP C 470PF J		C323		CK73GB1H104K	CHIP C 0.10UF K	
C261		CK73GB1H104K	CHIP C 0.10UF K		C324		CK73GB1H104K	CHIP C 0.10UF K	
C262		CK73GB1H222K	CHIP C 2200PF K		C325		CC73GCH1H471J	CHIP C 470PF J	
C263		CK73GB1E105K	CHIP C 1.0UF K		C326		CC73GCH1H050B	CHIP C 5.0PF B	
C264		CK73GB1E105K	CHIP C 1.0UF K		C327		CK73GB1H104K	CHIP C 0.10UF K	
C265		CK73GB1H222K	CHIP C 2200PF K		C328		CC73GCH1H050B	CHIP C 5.0PF B	
C266		CK73GB1H103K	CHIP C 0.010UF K		C329		CC73GCH1H471J	CHIP C 470PF J	
C267		CK73GB1H104K	CHIP C 0.10UF K		C330		CK73GB1H104K	CHIP C 0.10UF K	
C268		CC73GCH1H471J	CHIP C 470PF J						

## PARTS LIST

### CONTROL UNIT (XC1-021X-XX)

Ref.No	Address	Parts No.	Description	Desti-nation	Ref.No	Address	Parts No.	Description	Desti-nation
C331		CK73GB1H104K	CHIP C	0.10UF K	C394		CK73GB1H102K	CHIP C	1000PF K
C332		CK73GB1H104K	CHIP C	0.10UF K	C395		CK73GB1H102K	CHIP C	1000PF K
C333		CK73GB1H104K	CHIP C	0.10UF K	C396		CK73GB1H222K	CHIP C	2200PF K
C334		CK73GB1H104K	CHIP C	0.10UF K	C397		CK73GB1H102K	CHIP C	1000PF K
C335		CK73GB1H104K	CHIP C	0.10UF K	C399		CK73GB1H102K	CHIP C	1000PF K
C336		CK73GB1H104K	CHIP C	0.10UF K	C400		CK73GB1H222K	CHIP C	2200PF K
C337		CK73GB1H104K	CHIP C	0.10UF K	C402		CK73GB1H102K	CHIP C	1000PF K
C338		CK73GB1H104K	CHIP C	0.10UF K	C403		CK73GB1H222K	CHIP C	2200PF K
C339		CK73GB1H104K	CHIP C	0.10UF K	C404		CK73GB1H102K	CHIP C	1000PF K
C340		CK73GB1H104K	CHIP C	0.10UF K	C405		CK73GB1H102K	CHIP C	1000PF K
C341		CK73GB1H104K	CHIP C	0.10UF K	C406		CK73GB1H102K	CHIP C	1000PF K
C342		CK73GB1H104K	CHIP C	0.10UF K	C407		CK73GB1H222K	CHIP C	2200PF K
C343		CK73GB1H104K	CHIP C	0.10UF K	C408		CK73GB1H102K	CHIP C	1000PF K
C344		CK73GB1H104K	CHIP C	0.10UF K	C409		CK73GB1H222K	CHIP C	2200PF K
C345		CK73GB1H102K	CHIP C	1000PF K	C416		CK73GB1H102K	CHIP C	1000PF K
C346		CK73GB1H102K	CHIP C	1000PF K	C417		CK73GB1H102K	CHIP C	1000PF K
C347		CK73GB1H104K	CHIP C	0.10UF K	C418		CK73GB1H222K	CHIP C	2200PF K
C348		CC73GCH1H030B	CHIP C	3.0PF B	C419		CK73GB1H102K	CHIP C	1000PF K
C349		CC73GCH1H030B	CHIP C	3.0PF B	C420		CK73GB1H102K	CHIP C	1000PF K
C350		CK73GB1E105K	CHIP C	1.0UF K	C421		CK73GB1H102K	CHIP C	1000PF K
C351		CK73GB1H102K	CHIP C	1000PF K	C422		CK73GB1H102K	CHIP C	1000PF K
C352		CK73GB1H104K	CHIP C	0.10UF K	C423		CK73GB1H222K	CHIP C	2200PF K
C353		CK73GB1H104K	CHIP C	0.10UF K	C424		CK73GB1H222K	CHIP C	2200PF K
C354		CK73GB1H104K	CHIP C	0.10UF K	C425		CK73GB1H102K	CHIP C	1000PF K
C355		CK73GB1H104K	CHIP C	0.10UF K	C426		CK73GB1H222K	CHIP C	2200PF K
C356		CK73GB1H104K	CHIP C	0.10UF K	C427		CK73GB1E105K	CHIP C	1.0UF K
C357		CK73GB1H104K	CHIP C	0.10UF K	C428		CK73GB1H102K	CHIP C	1000PF K
C358		CK73GB1H104K	CHIP C	0.10UF K	C429		CK73GB1E105K	CHIP C	1.0UF K
C359		CK73GB1H104K	CHIP C	0.10UF K	C430		CK73GB1H102K	CHIP C	1000PF K
C360		CK73GB1H104K	CHIP C	0.10UF K	C437		CK73GB1H102K	CHIP C	1000PF K
C361		CK73GB1H104K	CHIP C	0.10UF K	C439		CK73GB1H102K	CHIP C	1000PF K
C362		CK73GB1H104K	CHIP C	0.10UF K	C441		CK73GB1H102K	CHIP C	1000PF K
C363		CK73GB1E105K	CHIP C	1.0UF K	C445		CK73GB1H102K	CHIP C	1000PF K
C364		CK73GB1H104K	CHIP C	0.10UF K	C450		CK73GB1H102K	CHIP C	1000PF K
C365		CK73GB1E105K	CHIP C	1.0UF K	C453		CK73GB1H102K	CHIP C	1000PF K
C366		CK73GB1E105K	CHIP C	1.0UF K	C455		CK73GB1H102K	CHIP C	1000PF K
C367		CK73GB1H102K	CHIP C	1000PF K	C457		CK73GB1H102K	CHIP C	1000PF K
C368		CK73GB1H102K	CHIP C	1000PF K	C460		CK73GB1H102K	CHIP C	1000PF K
C371		CK73GB1H102K	CHIP C	1000PF K	C465		CK73GB1E105K	CHIP C	1.0UF K
C373		CK73GB1H102K	CHIP C	1000PF K	C466		CK73GB1H102K	CHIP C	1000PF K
C375		CK73GB1H102K	CHIP C	1000PF K	C467		CK73GB1E105K	CHIP C	1.0UF K
C377		CK73GB1H102K	CHIP C	1000PF K	C468		CK73GB1H102K	CHIP C	1000PF K
C379		CC73GCH1H331J	CHIP C	330PF J	C469		CK73GB1E105K	CHIP C	1.0UF K
C380		CC73GCH1H331J	CHIP C	330PF J	C470		CK73GB1H102K	CHIP C	1000PF K
C381		CC73GCH1H101J	CHIP C	100PF J	C471		CK73GB1H104K	CHIP C	0.10UF K
C382		CC73GCH1H101J	CHIP C	100PF J	C473		CK73GB1E105K	CHIP C	1.0UF K
C385		CK73GB1H102K	CHIP C	1000PF K	C474		CK73GB1H102K	CHIP C	1000PF K
C386		CK73GB1H222K	CHIP C	2200PF K	C475		CK73GB1H102K	CHIP C	1000PF K
C387		CK73GB1H222K	CHIP C	2200PF K	C483		CK73GB1H104K	CHIP C	0.10UF K
C388		CK73GB1H222K	CHIP C	2200PF K	C486		CK73GB1H104K	CHIP C	0.10UF K
C389		CK73GB1H102K	CHIP C	1000PF K	C487		CK73GB1H104K	CHIP C	0.10UF K
C390		CK73GB1H102K	CHIP C	1000PF K	C488		CK73GB1H104K	CHIP C	0.10UF K
C391		CK73GB1H102K	CHIP C	1000PF K	C489		CK73GB1E105K	CHIP C	1.0UF K
C392		CK73GB1H222K	CHIP C	2200PF K	C490		C93-0912-05	CHIP C	100UF M
C393		CK73GB1H102K	CHIP C	1000PF K	C491		CK73GB1H104K	CHIP C	0.10UF K

## PARTS LIST

### CONTROL UNIT (XC1-021X-XX)

Ref.No	Address	Parts No.	Description	Desti-nation	Ref.No	Address	Parts No.	Description	Desti-nation
C492		CK73GB1H104K	CHIP C 0.10UF K		C558		CC73GCH1H150J	CHIP C 15PF J	
C493		CK73GB1H104K	CHIP C 0.10UF K		C559		CK73GB1H391K	CHIP C 390PF K	
C494		CK73GB1H102K	CHIP C 1000PF K		C560		CK73GB1H103K	CHIP C 0.010UF K	
C495		CK73EB1A106K	CHIP C 10UF K		C561		CC73GCH1H101J	CHIP C 100PF J	
C496		CK73GB1H102K	CHIP C 1000PF K		C562		CK73GB1H472K	CHIP C 4700PF K	
C501		CK73GB1H102K	CHIP C 1000PF K		C563		CK73GB1H473K	CHIP C 0.047UF K	
C505		CC73GCH1H470J	CHIP C 47PF J		C564		CK73GB1H102K	CHIP C 1000PF K	
C506		CC73GCH1H101J	CHIP C 100PF J		C565		CK73GB1H472K	CHIP C 4700PF K	
C507		CC73GCH1H101J	CHIP C 100PF J		C566		CK73GB1H473K	CHIP C 0.047UF K	
C508		CK73GB1H102K	CHIP C 1000PF K		C567		CK73GB1H102K	CHIP C 1000PF K	
C509		CK73GB1H102K	CHIP C 1000PF K		C568		CC73GCH1H680J	CHIP C 68PF J	
C510		CK73GB1H102K	CHIP C 1000PF K		C569		CC73GCH1H120J	CHIP C 12PF J	
C511		CK73GB1H102K	CHIP C 1000PF K		C570		CC73GCH1H271J	CHIP C 270PF J	
C512		CK73GB1H102K	CHIP C 1000PF K		C571		CC73GCH1H080B	CHIP C 8.0PF B	
C513		CK73GB1H102K	CHIP C 1000PF K		C572		CC73GCH1H271J	CHIP C 270PF J	
C514		CK73GB1H102K	CHIP C 1000PF K		C573		CC73GCH1H120J	CHIP C 12PF J	
C515		CK73GB1H102K	CHIP C 1000PF K		C574		CC73GCH1H680J	CHIP C 68PF J	
C516		CK73GB1H102K	CHIP C 1000PF K		C575		CK73GB1H102K	CHIP C 1000PF K	
C517		CK73GB1H102K	CHIP C 1000PF K		C576		CK73GB1H103K	CHIP C 0.010UF K	
C518		CK73GB1H102K	CHIP C 1000PF K		C577		CK73GB1H102K	CHIP C 1000PF K	
C519		CK73GB1H102K	CHIP C 1000PF K		C578		CK73GB1H472K	CHIP C 4700PF K	
C520		CK73GB1H102K	CHIP C 1000PF K		C579		CK73GB1H473K	CHIP C 0.047UF K	
C521		CK73GB1H102K	CHIP C 1000PF K		C580		CK73GB1H102K	CHIP C 1000PF K	
C523		CK73GB1H102K	CHIP C 1000PF K		C581		CC73GCH1H390J	CHIP C 39PF J	
C524		CK73GB1H102K	CHIP C 1000PF K		C582		CC73GCH1H680J	CHIP C 68PF J	
C525		CK73GB1H102K	CHIP C 1000PF K		C583		CC73GCH1H390J	CHIP C 39PF J	
C526		CK73GB1H102K	CHIP C 1000PF K		C584		CK73GB1H102K	CHIP C 1000PF K	
C527		CK73GB1H102K	CHIP C 1000PF K		C585		CK73GB1H102K	CHIP C 1000PF K	
C528		CK73GB1H102K	CHIP C 1000PF K		C586		CC73GCH1H560J	CHIP C 56PF J	
C529		CK73GB1H102K	CHIP C 1000PF K		C587		CK73GB1E105K	CHIP C 1.0UF K	
C530		CC73GCH1H101J	CHIP C 100PF J		C588		CK73GB1A105K	CHIP C 1.0UF K	
C531		CC73GCH1H101J	CHIP C 100PF J		C589		CK73GB1H103K	CHIP C 0.010UF K	
C534		CC73GCH1H101J	CHIP C 100PF J		C590		CE32CL1H4R7M	CHIP EL 4.7UF 50WV	
C535		CC73GCH1H101J	CHIP C 100PF J		C591		CK73GB1H103K	CHIP C 0.010UF K	
C536		CK73GB1H103K	CHIP C 0.010UF K		C592		CK73GB1H103K	CHIP C 0.010UF K	
C537		CK73GB1H103K	CHIP C 0.010UF K		C593		C93-1875-05	CHIP C 22UF J	
C538		CS77BA1A100M	CHIP TNL 10UF 10WV		C594		CK73GB1H103K	CHIP C 0.010UF K	
C539		CK73GB1H103K	CHIP C 0.010UF K		C595		CK73GB1H103K	CHIP C 0.010UF K	
C540		CC73GCH1H080B	CHIP C 8.0PF B		C596		C93-1875-05	CHIP C 22UF J	
C542		CC73GCH1H151J	CHIP C 150PF J		C597		CK73GB1E105K	CHIP C 1.0UF K	
C543		CC73GCH1H390J	CHIP C 39PF J		C598		CK73GB1H102K	CHIP C 1000PF K	
C544		CK73GB1H103K	CHIP C 0.010UF K		C599		CK73GB1E105K	CHIP C 1.0UF K	
C545		CK73GB1H103K	CHIP C 0.010UF K		C600		CK73GB1E105K	CHIP C 1.0UF K	
C546		CC73GCH1H050B	CHIP C 5.0PF B		C601		CK73GB1H472K	CHIP C 4700PF K	
C547		CK73GB1H103K	CHIP C 0.010UF K		C602		CK73GB1H102K	CHIP C 1000PF K	
C548		CK73GB1H473K	CHIP C 0.047UF K		C604		CK73GB1H102K	CHIP C 1000PF K	
C549		CC73GCH1H470J	CHIP C 47PF J		C605		CC73GCH1H390J	CHIP C 39PF J	
C550		CK73GB1H103K	CHIP C 0.010UF K		C606		CC73GCH1H680J	CHIP C 68PF J	
C551		CC73GCH1H470J	CHIP C 47PF J		C607		CS77BA1A100M	CHIP TNL 10UF 10WV	
C552		CK73GB1H103K	CHIP C 0.010UF K		C608		CK73GB1H472K	CHIP C 4700PF K	
C553		CC73GCH1H390J	CHIP C 39PF J		C610		CK73GB1H103K	CHIP C 0.010UF K	
C554		CC73GCH1H040B	CHIP C 4.0PF B		C611		CK73GB1H103K	CHIP C 0.010UF K	
C555		CK73GB1H391K	CHIP C 390PF K		C612		CS77BA1A100M	CHIP TNL 10UF 10WV	
C556		CC73GCH1H150J	CHIP C 15PF J		C613		CK73GB1C473K	CHIP C 0.047UF K	
C557		CC73GCH1H821J	CHIP C 820PF J						

## PARTS LIST

### CONTROL UNIT (XC1-021X-XX)

Ref.No	Address	Parts No.	Description	Destination	Ref.No	Address	Parts No.	Description	Destination
C615		CC73GCH1H101J	CHIP C	100PF J	C693		CC73GCH1H681J	CHIP C	680PF J
C616		CK73GB1H103K	CHIP C	0.010UF K	C694		CC73GCH1H680J	CHIP C	68PF J
C617		CK73GB1H473K	CHIP C	0.047UF K	C695		CC73GCH1H820J	CHIP C	82PF J
C618		CK73GB1H473K	CHIP C	0.047UF K	C696		CK73GB1H103K	CHIP C	0.010UF K
C619		CK73GB1H473K	CHIP C	0.047UF K	C697		CC73GCH1H181J	CHIP C	180PF J
C620		CK73GB1H391K	CHIP C	390PF K	C698		CC73GCH1H561J	CHIP C	560PF J
C621		CC73GCH1H330J	CHIP C	33PF J	C699		CK73GB1H103K	CHIP C	0.010UF K
C622		CC73GCH1H561J	CHIP C	560PF J	C700		CC73GCH1H180J	CHIP C	18PF J
C623		CC73GCH1H820J	CHIP C	82PF J	C701		CC73GCH1H1R5B	CHIP C	1.5PF B
C624		CC73GCH1H331J	CHIP C	330PF J	C702		CC73GCH1H270J	CHIP C	27PF J
C648		CK73GB1H102K	CHIP C	1000PF K	C703		CC73GCH1H330J	CHIP C	33PF J
C649		CC73GCH1H181J	CHIP C	180PF J	C704		CK73GB1H102K	CHIP C	1000PF K
C650		CC73GCH1H181J	CHIP C	180PF J	C705		CC73GCH1H090B	CHIP C	9.0PF B
C651		CK73GB1H102K	CHIP C	1000PF K	C706		CK73GB1H102K	CHIP C	1000PF K
C652		CK73GB1H103K	CHIP C	0.010UF K	C707		CC73GCH1H090B	CHIP C	9.0PF B
C653		CK73GB1H103K	CHIP C	0.010UF K	C708		CC73GCH1H270J	CHIP C	27PF J
C654		CK73GB1H102K	CHIP C	1000PF K	C709		CC73GCH1H560J	CHIP C	56PF J
C655		CK73GB1H103K	CHIP C	0.010UF K	C710		CC73GCH1H470J	CHIP C	47PF J
C656		CK73GB1H103K	CHIP C	0.010UF K	C711		CC73GCH1H560J	CHIP C	56PF J
C657		CC73GCH1H560J	CHIP C	56PF J	C712		CC73GCH1H040B	CHIP C	4.0PF B
C658		CC73GCH1H181J	CHIP C	180PF J	C713		CC73GCH1H150J	CHIP C	15PF J
C659		CC73GCH1H270J	CHIP C	27PF J	C714		CC73GCH1H680J	CHIP C	68PF J
C660		CK73GB1H103K	CHIP C	0.010UF K	C715		CC73GCH1H470J	CHIP C	47PF J
C661		CC73GCH1H221J	CHIP C	220PF J	C716		CC73GCH1H470J	CHIP C	47PF J
C662		CK73GB1H103K	CHIP C	0.010UF K	C717		CC73GCH1H220J	CHIP C	22PF J
C663		CK73GB1H103K	CHIP C	0.010UF K	C718		CC73GCH1H080B	CHIP C	8.0PF B
C664		CC73GCH1H270J	CHIP C	27PF J	C719		CC73GCH1H121J	CHIP C	120PF J
C665		CC73GCH1H181J	CHIP C	180PF J	C720		CC73GCH1H470J	CHIP C	47PF J
C666		CK73GB1H103K	CHIP C	0.010UF K	C721		CC73GCH1H040B	CHIP C	4.0PF B
C667		CC73GCH1H820J	CHIP C	82PF J	C722		CC73GCH1H560J	CHIP C	56PF J
C668		CC73GCH1H560J	CHIP C	56PF J	C723		CC73GCH1H150J	CHIP C	15PF J
C669		CK73GB1H103K	CHIP C	0.010UF K	C724		CC73GCH1H680J	CHIP C	68PF J
C670		CC73GCH1H560J	CHIP C	56PF J	C725		CC73GCH1H330J	CHIP C	33PF J
C671		CK73GB1H103K	CHIP C	0.010UF K	C726		CC73GCH1H030B	CHIP C	3.0PF B
C672		CC73GCH1H270J	CHIP C	27PF J	C727		CC73GCH1H270J	CHIP C	27PF J
C673		CC73GCH1H330J	CHIP C	33PF J	C728		CC73GCH1H151J	CHIP C	150PF J
C674		CC73GCH1H100C	CHIP C	10PF C	C729		CK73GB1H102K	CHIP C	1000PF K
C675		CC73GCH1H680J	CHIP C	68PF J	C730		CC73GCH1H680J	CHIP C	68PF J
C676		CC73GCH1H560J	CHIP C	56PF J	C732		CC73GCH1H060B	CHIP C	6.0PF B
C677		CK73GB1H103K	CHIP C	0.010UF K	C733		CC73GCH1H560J	CHIP C	56PF J
C678		CK73GB1H103K	CHIP C	0.010UF K	C734		CC73GCH1H330J	CHIP C	33PF J
C679		CC73GCH1H270J	CHIP C	27PF J	C735		CC73GCH1H030B	CHIP C	3.0PF B
C680		CC73GCH1H080B	CHIP C	8.0PF B	C736		CC73GCH1H270J	CHIP C	27PF J
C681		CK73GB1H103K	CHIP C	0.010UF K	C738		CC73GCH1H121J	CHIP C	120PF J
C682		CC73GCH1H680J	CHIP C	68PF J	C739		CC73GCH1H220J	CHIP C	22PF J
C683		CC73GCH1H560J	CHIP C	56PF J	C740		CC73GCH1H680J	CHIP C	68PF J
C684		CC73GCH1H270J	CHIP C	27PF J	C741		CK73GB1H102K	CHIP C	1000PF K
C685		CC73GCH1H100C	CHIP C	10PF C	C742		CK73GB1H102K	CHIP C	1000PF K
C686		CK73GB1H103K	CHIP C	0.010UF K	C743		CC73GCH1H121J	CHIP C	120PF J
C687		CC73GCH1H270J	CHIP C	27PF J	C744		CC73GCH1H470J	CHIP C	47PF J
C688		CK73GB1H103K	CHIP C	0.010UF K	C745		CC73GCH1H030B	CHIP C	3.0PF B
C689		CC73GCH1H561J	CHIP C	560PF J	C746		CC73GCH1H560J	CHIP C	56PF J
C690		CK73GB1H103K	CHIP C	0.010UF K	C748		CK73GB1H102K	CHIP C	1000PF K
C691		CC73GCH1H820J	CHIP C	82PF J	C749		CK73GB1H102K	CHIP C	1000PF K
C692		CC73GCH1H820J	CHIP C	82PF J					

## PARTS LIST

### CONTROL UNIT (XC1-021X-XX)

Ref.No	Address	Parts No.	Description	Desti-nation	Ref.No	Address	Parts No.	Description	Desti-nation
C750		CK73GB1H102K	CHIP C 1000PF K		C818		CC73GCH1H101J	CHIP C 100PF J	
C751		CK73GB1H102K	CHIP C 1000PF K		C819		CK73GB1C104K	CHIP C 0.10UF K	
C752		CC73GCH1H101J	CHIP C 100PF J		C820		CC73GCH1H101J	CHIP C 100PF J	
C753		CK73GB1H102K	CHIP C 1000PF K		C821		CC73GCH1H101J	CHIP C 100PF J	
C754		CK73GB1H102K	CHIP C 1000PF K		C822		CK73GB1C104K	CHIP C 0.10UF K	
C755		CK73GB1H102K	CHIP C 1000PF K		C823		CK73GB1H102K	CHIP C 1000PF K	
C756		CK73GB1H472K	CHIP C 4700PF K		C824		CC73GCH1H120J	CHIP C 12PF J	
C757		CK73GB1H102K	CHIP C 1000PF K		C825		CK73EB1E106K	CHIP C 10UF K	
C758		CK73GB1H102K	CHIP C 1000PF K		C826		CK73GB1C104K	CHIP C 0.10UF K	
C759		CK73GB1H102K	CHIP C 1000PF K		C827		CC73GCH1H471J	CHIP C 470PF J	
C760		CK73GB1H102K	CHIP C 1000PF K		C828		CE32BM1C220M	CHIP EL 22UF 16WV	
C761		CC73GCH1H390J	CHIP C 39PF J		C829		CK73GB1H472K	CHIP C 4700PF K	
C762		CK73GB1H102K	CHIP C 1000PF K		C830		CK73EB1E106K	CHIP C 10UF K	
C763		CK73GB1H472K	CHIP C 4700PF K		C831		CC73GCH1H080B	CHIP C 8.0PF B	
C764		CK73GB1H102K	CHIP C 1000PF K		C833		CC73GCH1H390J	CHIP C 39PF J	
C765		CC73GCH1H220J	CHIP C 22PF J		C834		CC73GCH1H050B	CHIP C 5.0PF B	
C766		CC73GCH1H240J	CHIP C 24PF J		C835		CC73GCH1H0R5B	CHIP C 0.5PF B	
C767		CK73GB1H472K	CHIP C 4700PF K		C836		CC73GCH1H040B	CHIP C 4.0PF B	
C768		CC73GCH1H120J	CHIP C 12PF J		C837		CK73GB1H103K	CHIP C 0.010UF K	
C769		CC73GCH1H180J	CHIP C 18PF J		C838		CC73GCH1H070B	CHIP C 7.0PF B	
C770		CC73GCH1H330J	CHIP C 33PF J		C839		CK73GB1H102K	CHIP C 1000PF K	
C771		CC73GCH1H470J	CHIP C 47PF J		C840		CK73GB1H103K	CHIP C 0.010UF K	
C772		CC73GCH1H220J	CHIP C 22PF J		C841		CC73GCH1H040B	CHIP C 4.0PF B	
C773		CC73GCH1H330J	CHIP C 33PF J		C843		CC73GCH1H0R5B	CHIP C 0.5PF B	
C774		CC73GCH1H100C	CHIP C 10PF C		C844		CK73GB1H103K	CHIP C 0.010UF K	
C775		CC73GCH1H120J	CHIP C 12PF J		C845		CC73GCH1H471J	CHIP C 470PF J	
C776		CC73GCH1H180J	CHIP C 18PF J		C846		CC73GCH1H120J	CHIP C 12PF J	
C777		CC73GCH1H150J	CHIP C 15PF J		C847		CK73GB1H102K	CHIP C 1000PF K	
C778		CC73GCH1H220J	CHIP C 22PF J		C848		CK73GB1H102K	CHIP C 1000PF K	
C779		CK73GB1H102K	CHIP C 1000PF K		C849		CK73EB1E106K	CHIP C 10UF K	
C780		CK73GB1H102K	CHIP C 1000PF K		C850		CK73EB1E106K	CHIP C 10UF K	
C781		CC73GCH1H470J	CHIP C 47PF J		C851		CK73GB1H102K	CHIP C 1000PF K	
C782		CC73GCH1H470J	CHIP C 47PF J		C852		CC73GCH1H101J	CHIP C 100PF J	
C783		CC73GCH1H470J	CHIP C 47PF J		C853		CC73GCH1H150J	CHIP C 15PF J	
C784		CK73GB1H102K	CHIP C 1000PF K		C855		CC73GCH1H101J	CHIP C 100PF J	
C785		CK73GB1H102K	CHIP C 1000PF K		C856		CK73EB1E106K	CHIP C 10UF K	
C786		CK73GB1H103K	CHIP C 0.010UF K		C860		CC73GCH1H101J	CHIP C 100PF J	
C801		CK73FB1H153K	CHIP C 0.015UF K		C861		CS77BA1A100M	CHIP TNL 10UF 10WV	
C802		CK73GB1H472K	CHIP C 4700PF K		C862		CK73GB1C104K	CHIP C 0.10UF K	
C803		CK73GB1H102K	CHIP C 1000PF K		C865		CK73GB1C104K	CHIP C 0.10UF K	
C804		CS77MA1ER47M	CHIP TNL 0.47UF 25WV		C866		CK73GB1C104K	CHIP C 0.10UF K	
C805		CK73GB1A105K	CHIP C 1.0UF K		C867		CK73GB1C104K	CHIP C 0.10UF K	
C806		CK73GB1H102K	CHIP C 1000PF K		C868		CK73GB1C104K	CHIP C 0.10UF K	
C807		CK73GB1H473K	CHIP C 0.047UF K		C869		CK73GB1C104K	CHIP C 0.10UF K	
C808		CK73GB1H102K	CHIP C 1000PF K		C870		CK73GB1C104K	CHIP C 0.10UF K	
C809		CK73FB1H153K	CHIP C 0.015UF K		C871		CK73GB1C104K	CHIP C 0.10UF K	
C810		CC73GCH1H390J	CHIP C 39PF J		C872		CK73GB1C104K	CHIP C 0.10UF K	
C811		CK73FB1H153K	CHIP C 0.015UF K		C873		CK73GB1A105K	CHIP C 1.0UF K	
C812		CK73GB1A105K	CHIP C 1.0UF K		C874		CC73GCH1H180J	CHIP C 18PF J	
C813		CK73EB1E106K	CHIP C 10UF K		C875		CC73GCH1H180J	CHIP C 18PF J	
C814		CK73GB1C104K	CHIP C 0.10UF K		C876		CC73GCH1H330J	CHIP C 33PF J	
C815		CK73EB1E106K	CHIP C 10UF K		C877		CK73GB1H102K	CHIP C 1000PF K	
C816		CC73GCH1H680J	CHIP C 68PF J		C878		CC73GCH1H120J	CHIP C 12PF J	
C817		CK73GB1C104K	CHIP C 0.10UF K		C879		CK73GB1C104K	CHIP C 0.10UF K	
					C880		CC73GCH1H470J	CHIP C 47PF J	

## PARTS LIST

### CONTROL UNIT (XC1-021X-XX)

Ref.No	Address	Parts No.	Description	Desti-nation	Ref.No	Address	Parts No.	Description	Desti-nation
C881		CK73GB1C104K	CHIP C 0.10UF K		C947		CK73FBOJ106K	CHIP C 10UF K	
C882		CK73GB1C104K	CHIP C 0.10UF K		C948		CK73GB1H104K	CHIP C 0.10UF K	
C883		CC73GCH1H390J	CHIP C 39PF J		C949		CK73GB1H104K	CHIP C 0.10UF K	
C884		CC73GCH1H470J	CHIP C 47PF J		C950		CK73GB1H104K	CHIP C 0.10UF K	
C885		CK73GB1H102K	CHIP C 1000PF K		C951		CK73GB1H104K	CHIP C 0.10UF K	
C886		CK73GB1H102K	CHIP C 1000PF K		C952		CK73GB1A105K	CHIP C 1.0UF K	
C887		CK73GB1C104K	CHIP C 0.10UF K		C953		CC73GCH1H050B	CHIP C 5.0PF B	
C888		CK73GB1H102K	CHIP C 1000PF K		C954		CK73GB1A105K	CHIP C 1.0UF K	
C891		CC73GCH1H080B	CHIP C 8.0PF B		C955		CC73GCH1H050B	CHIP C 5.0PF B	
C892		CK73GB1H102K	CHIP C 1000PF K		C956		CK73GB1H104K	CHIP C 0.10UF K	
C895		CC73GCH1H330J	CHIP C 33PF J		C957		CK73GB1H104K	CHIP C 0.10UF K	
C901		CC73GCH1H101J	CHIP C 100PF J		C958		CK73GB1H102K	CHIP C 1000PF K	
C902		CC73GCH1H101J	CHIP C 100PF J		C959		CK73GB1A105K	CHIP C 1.0UF K	
C903		CC73GCH1H101J	CHIP C 100PF J		C960		CK73GB1H104K	CHIP C 0.10UF K	
C904		CK73GB1H102K	CHIP C 1000PF K		C961		CK73GB1H104K	CHIP C 0.10UF K	
C905		CK73GB1H102K	CHIP C 1000PF K		C962		CK73GB1H104K	CHIP C 0.10UF K	
C908		CK73GB1H102K	CHIP C 1000PF K		C964		CK73GB1A105K	CHIP C 1.0UF K	
C909		CK73GB1H102K	CHIP C 1000PF K		C965		CK73GB1H104K	CHIP C 0.10UF K	
C910		CK73GB1H102K	CHIP C 1000PF K		C966		CK73GB1E105K	CHIP C 1.0UF K	
C911		CK73GB1H102K	CHIP C 1000PF K		C967		CK73GB1A105K	CHIP C 1.0UF K	
C912		CK73GB1H102K	CHIP C 1000PF K		C968		CK73GB1E105K	CHIP C 1.0UF K	
C913		CK73GB1H102K	CHIP C 1000PF K		C969		CK73GB1E105K	CHIP C 1.0UF K	
C914		CK73GB1H102K	CHIP C 1000PF K		C970		CK73GB1E105K	CHIP C 1.0UF K	
C915		CK73GB1H102K	CHIP C 1000PF K		C971		CC73GCH1H330J	CHIP C 33PF J	
C916		CK73GB1H472K	CHIP C 4700PF K		C972		CK73GB1H102K	CHIP C 1000PF K	
C917		CK73GB1A105K	CHIP C 1.0UF K		C980		CC73GCH1H471J	CHIP C 470PF J	
C918		CK73GB1A105K	CHIP C 1.0UF K		C981		CC73GCH1H471J	CHIP C 470PF J	
C919		CK73GB1H102K	CHIP C 1000PF K		C982		CC73GCH1H471J	CHIP C 470PF J	
C920		CK73GB1H102K	CHIP C 1000PF K		C984		CC73GCH1H471J	CHIP C 470PF J	
C921		CK73GB1A105K	CHIP C 1.0UF K		C987		CC73GCH1H471J	CHIP C 470PF J	
C922		CK73GB1A105K	CHIP C 1.0UF K		C988		CC73GCH1H471J	CHIP C 470PF J	
C923		CK73GB1A105K	CHIP C 1.0UF K		C989		CC73GCH1H471J	CHIP C 470PF J	
C924		CK73GB1A105K	CHIP C 1.0UF K		C990		CC73GCH1H471J	CHIP C 470PF J	
C925		CK73GB1A105K	CHIP C 1.0UF K		C991		CC73GCH1H471J	CHIP C 470PF J	
C926		CK73GB1H102K	CHIP C 1000PF K		CN1		E40-6526-05	PIN ASSY	
C927		CK73GB1H104K	CHIP C 0.10UF K		CN2		E40-6526-05	PIN ASSY	
C928		CK73GB1C225K	CHIP C 2.2UF K		CN61		E40-6525-05	PIN ASSY	
C929		CK73GB1H102K	CHIP C 1000PF K		CN62		E40-6525-05	PIN ASSY	
C930		CK73GB1A105K	CHIP C 1.0UF K		CN63		E40-6879-05	FLAT CABLE CONNECTOR	
C931		CK73GB1A105K	CHIP C 1.0UF K		CN64		E41-1687-05	PIN ASSY	
C932		CC73GCH1H222J	CHIP C 2200PF J		CN65		E40-6525-05	PIN ASSY	
C933		CK73GB1H102K	CHIP C 1000PF K		CN301		E41-1948-05	FLAT CABLE CONNECTOR	
C934		CK73FBOJ106K	CHIP C 10UF K		CN302		E40-6656-05	PIN ASSY	
C935		CK73GB1H102K	CHIP C 1000PF K		CN303		E40-6745-05	FLAT CABLE CONNECTOR	
C936		CK73FBOJ106K	CHIP C 10UF K		CN305		E40-6727-05	FLAT CABLE CONNECTOR	
C937		CK73FBOJ106K	CHIP C 10UF K		CN502		E40-6745-05	FLAT CABLE CONNECTOR	
C938		CK73GB1H102K	CHIP C 1000PF K		CN503		E41-1684-05	PIN ASSY	
C939		CK73GB1H102K	CHIP C 1000PF K		CN508		E04-0191-05	PIN SOCKET	
C940		CK73FBOJ106K	CHIP C 10UF K		CN601		E04-0191-05	PIN SOCKET	
C941		CK73FBOJ106K	CHIP C 10UF K		CN654		E04-0191-05	PIN SOCKET	
C942		CC73GCH1H150J	CHIP C 15PF J		CN901		E40-6357-05	PIN ASSY	
C943		CC73GCH1H150J	CHIP C 15PF J		CN903		E40-5487-05	PIN ASSY	
C944		CK73GB1H102K	CHIP C 1000PF K		CN904		E40-5487-05	PIN ASSY	
C945		CK73FBOJ106K	CHIP C 10UF K						
C946		CK73GB1H102K	CHIP C 1000PF K						

## PARTS LIST

### CONTROL UNIT (XC1-021X-XX)

Ref.No	Address	Parts No.	Description	Desti- nation	Ref.No	Address	Parts No.	Description	Desti- nation
CP301		RK74GB1J473J	CHIP-COM 47K J 1/16W		D678		1SS390	DIODE	
CP302		RK74GB1J473J	CHIP-COM 47K J 1/16W		D679		RN142S	DIODE	
CP304		RK74GB1J473J	CHIP-COM 47K J 1/16W		D680		RN142S	DIODE	
CP305		RK74GB1J473J	CHIP-COM 47K J 1/16W		D681		RN142S	DIODE	
CP310		RK74GB1J473J	CHIP-COM 47K J 1/16W		D682		1SS390	DIODE	
CP314		RK74GB1J473J	CHIP-COM 47K J 1/16W		D683		1SS390	DIODE	
CP315		RK74GB1J473J	CHIP-COM 47K J 1/16W		D801		1SV283F	VARIABLE CAPACITANCE DIODE	
CP316		RK74GB1J473J	CHIP-COM 47K J 1/16W		D802		1SV283F	VARIABLE CAPACITANCE DIODE	
CP317		RK74GB1J470J	CHIP-COM 47 J 1/16W		D803		1SV283F	VARIABLE CAPACITANCE DIODE	
CP318		RK74GB1J470J	CHIP-COM 47 J 1/16W		D901		RSB12JS2	MULTIPLE DIODE	
CP319		RK74GB1J470J	CHIP-COM 47 J 1/16W		D902		HZU3BLL	ZENER DIODE	
CP320		RK74GB1J470J	CHIP-COM 47 J 1/16W		D903		RB531SM-30	DIODE	
D1		RB060L-40	SCHOTTKY BARRIER DIODE		F901		F53-0317-15	FUSE(500MA)	
D2		RB060L-40	SCHOTTKY BARRIER DIODE		IC1		LT3685EMSE	ANALOGUE IC	
D3		1SR154-400	DIODE		IC2		LT3685EMSE	ANALOGUE IC	
D4		1SR154-400	DIODE		IC3		BA00DD0WHFP	MOS-IC	
D5		1SR154-400	DIODE		IC4		BA03CC0FP	ANALOGUE IC	
D6		1SR154-400	DIODE		IC5		BA05CC0FP	ANALOGUE IC	
D7		RB531SM-30	DIODE		IC6		XC6220B12BPR-G	MOS-IC	
D8		RB531SM-30	DIODE		IC61		BA4580RFVM	BI-POLAR IC	
D9		RB531SM-30	DIODE		IC62		BA4580RFVM	BI-POLAR IC	
D61		MINISMDC05002F	VARISTOR		IC63		NJM2732V	BIPOLAR IC	
D62		1SS355	DIODE		IC64		NJM2732V	BIPOLAR IC	
D101		RB531SM-30	DIODE		IC65		NJM2732V	BIPOLAR IC	
D301		EDZV6.2B	ZENER DIODE		IC66		AK5385BVF	MOS-IC	
D302		RB531SM-30	DIODE		IC67		LA4425A	MOS-IC	
D304		1SR154-400	DIODE		IC68		TC7W66FK-F	MOS-IC	
D501		RN142S	DIODE		IC69		NJM2732V	BIPOLAR IC	
D651		RN142S	DIODE		IC70		NJM2732V	BIPOLAR IC	
D652		RB715F	SCHOTTKY BARRIER DIODE		IC71		NJM2732V	BIPOLAR IC	
D653		RN142S	DIODE		IC72		AK4382AVT	MOS-IC	
D654		RN142S	DIODE		IC73		BA2904FVM	MOS-IC	
D655		RN142S	DIODE		IC74		BA2904FVM	MOS-IC	
D656		DAN202U	MULTIPLE DIODE		IC75		AK4387ET	ANALOG IC	
D657		RN142S	DIODE		IC76		BA2904FVM	MOS-IC	
D659		RN142S	DIODE		IC77		BA2904FVM	MOS-IC	
D660		RN142S	DIODE		IC78		AK4387ET	ANALOG IC	
D661		RN142S	DIODE		IC79		NJM2732V	BIPOLAR IC	
D662		RN142S	DIODE		IC80		TC7W66FK-F	MOS-IC	
D663		RN142S	DIODE		IC81		NJM2732V	BIPOLAR IC	
D664		1SS390	DIODE		IC82		BA2904FVM	MOS-IC	
D665		1SS390	DIODE		IC83		WM8782ASEDSRV	MOS-IC	
D666		1SS390	DIODE		IC301		DC6726BRFPA225	MICROPROCESSOR IC	
D667		RN142S	DIODE		IC302		29LV800CBKDND	ROM IC	
D668		RN142S	DIODE		IC304		TC7SH32FU-F	MOS-IC	
D669		RN142S	DIODE		IC305		TC7SH00FU-F	MOS-IC	
D670		RN142S	DIODE		IC306		F3651RDFCKFSA	MICROCONTROLLER IC	
D671		RN142S	DIODE		IC307		BU4829FVE	MOS-IC	
D672		DAN202U	MULTIPLE DIODE		IC308		TC7SH32FU-F	MOS-IC	
D673		1SS390	DIODE		IC309		HN58X25128FPIE	ROM IC	
D674		RN142S	DIODE		IC310		TC74HC4052AFT	MOS-IC	
D675		1SS390	DIODE		IC311		HD74LV541AT	MOS-IC	
D677		1SS390	DIODE		IC312		HD74LV2G34AUS	MOS-IC	

## PARTS LIST

### CONTROL UNIT (XC1-021X-XX)

Ref.No	Address	Parts No.	Description	Destination	Ref.No	Address	Parts No.	Description	Destination
IC313		TC7WT125FUF	MOS-IC		L402		L92-0639-05	CHIP FERRITE	
IC314		HD74LV2G34AUS	MOS-IC		L403		L92-0639-05	CHIP FERRITE	
IC315		BU4829FVE	MOS-IC		L404		L92-0639-05	CHIP FERRITE	
IC316		TC7SH32FU-F	MOS-IC		L405		L92-0639-05	CHIP FERRITE	
IC317		TC7SH32FU-F	MOS-IC		L407		L92-0639-05	CHIP FERRITE	
IC501		TC7WT125FUF	MOS-IC		L408		L33-1554-05	CHOKO COIL	
IC502		TC7WT125FUF	MOS-IC		L409		L92-0180-05	CHIP FERRITE	
IC504		BA05CC0FP	ANALOGUE IC		L410		L92-0180-05	CHIP FERRITE	
IC505		BA033CC0FP	ANALOGUE IC		L411		L92-0180-05	CHIP FERRITE	
IC601		AD9835BRUZ	MOS-IC		L412		L92-0180-05	CHIP FERRITE	
IC651		TC74HC4094AFF	MOS-IC		L413		L92-0180-05	CHIP FERRITE	
IC801		ADF4111BRUZ	MOS-IC		L414		L92-0180-05	CHIP FERRITE	
IC802		XC6219B182PR-G	MOS-IC		L415		L92-0180-05	CHIP FERRITE	
IC803		AD9951YSVZ	MOS-IC		L416		L92-0180-05	CHIP FERRITE	
IC804		UPC2710TB-A	BIPOLAR IC		L417		L92-0180-05	CHIP FERRITE	
IC901		ADM3202ARUZ	MOS-IC		L418		L92-0180-05	CHIP FERRITE	
IC902		TC75S51FE(F)	MOS-IC		L419		L92-0180-05	CHIP FERRITE	
IC903		PCM2903B	MOS-IC		L420		L92-0180-05	CHIP FERRITE	
IC904		TC7SH08FU-F	MOS-IC		L501		L92-0639-05	CHIP FERRITE	
IC905		USB2512BI	MOS-IC		L502		LR73Z0AE101J	CHIP INDUCTOR	
IC906		CP2102SX0567	MOS-IC		L503		L41-1595-52	SMALL FIXED INDUCTOR(1.5UH)	
J901		E58-0529-05	SUB SOCKET(D)		L504		L41-2295-52	SMALL FIXED INDUCTOR(2.2UH)	
J902		E58-0537-05	RECTANGULAR RECEPTACLE		L505		L34-4816-05	COIL	
L2		L33-1548-05	CHOKO COIL		L506		LR79F0ED68NG	CHIP INDUCTOR	
L3		L33-1548-05	CHOKO COIL		L507		L41-1895-52	SMALL FIXED INDUCTOR(1.8UH)	
L4		L33-1553-05	CHOKO COIL		L508		LR79F0ED33NG	CHIP INDUCTOR	
L5		L33-1548-05	CHOKO COIL		L509		L41-1595-52	SMALL FIXED INDUCTOR(1.5UH)	
L6		L33-1548-05	CHOKO COIL		L510		LR79F0ED68NG	CHIP INDUCTOR	
L7		L33-1553-05	CHOKO COIL		L511		L41-1005-52	SMALL FIXED INDUCTOR(10UH)	
L8		L92-0639-05	CHIP FERRITE		L512		L41-1095-52	SMALL FIXED INDUCTOR(1.0UH)	
L11		L33-2600-05	CHOKO COIL		L513		LR79F0EDR10G	CHIP INDUCTOR	
L13		L33-2600-05	CHOKO COIL		L514		L41-4785-52	SMALL FIXED INDUCTOR(0.47UH)	
L15		L92-0641-05	FERRITE CORE		L515		LR79F0ED22NG	CHIP INDUCTOR	
L16		L92-0641-05	FERRITE CORE		L516		L41-8285-52	SMALL FIXED INDUCTOR(0.82UH)	
L17		L92-0641-05	FERRITE CORE		L517		LR79F0ED22NG	CHIP INDUCTOR	
L18		L92-0641-05	FERRITE CORE		L518		L41-4785-52	SMALL FIXED INDUCTOR(0.47UH)	
L19		L41-1005-39	SMALL FIXED INDUCTOR(10UH)		L519		LR79F0EDR10G	CHIP INDUCTOR	
L20		L33-1554-05	CHOKO COIL		L520		L41-1095-52	SMALL FIXED INDUCTOR(1.0UH)	
L21		L33-1554-05	CHOKO COIL		L521		L41-1585-52	SMALL FIXED INDUCTOR(0.15UH)	
L61		L92-0467-05	CHIP FERRITE		L522		L41-1585-52	SMALL FIXED INDUCTOR(0.15UH)	
L62		L92-0467-05	CHIP FERRITE		L523		L41-2295-52	SMALL FIXED INDUCTOR(2.2UH)	
L63		L92-0467-05	CHIP FERRITE		L524		L41-2285-53	SMALL FIXED INDUCTOR(0.22UH)	
L64		L33-1553-05	CHOKO COIL		L525		L41-2285-53	SMALL FIXED INDUCTOR(0.22UH)	
L65		L92-0639-05	CHIP FERRITE		L601		L41-1095-52	SMALL FIXED INDUCTOR(1.0UH)	
L66		L92-0639-05	CHIP FERRITE		L602		L41-1585-52	SMALL FIXED INDUCTOR(0.15UH)	
L68		L92-0467-05	CHIP FERRITE		L603		L41-1005-52	SMALL FIXED INDUCTOR(10UH)	
L69		L92-0639-05	CHIP FERRITE		L604		L41-1005-52	SMALL FIXED INDUCTOR(10UH)	
L301		L33-1554-05	CHOKO COIL		L605		L41-8285-52	SMALL FIXED INDUCTOR(0.82UH)	
L302		L33-1554-05	CHOKO COIL		L606		L41-5685-52	SMALL FIXED INDUCTOR(0.56UH)	
L303		L79-1940-05	FILTER		L651		L39-1480-15	TOROIDAL COIL	
L305		L92-0639-05	CHIP FERRITE		L652		LR79F0EDR10G	CHIP INDUCTOR	
L307		L92-0639-05	CHIP FERRITE		L653		LR79F0ED82NG	CHIP INDUCTOR	
					L654		LR79F0EDR10G	CHIP INDUCTOR	
					L655		L40-1288-67	SMALL FIXED INDUCTOR(120NH/8)	

## PARTS LIST

### CONTROL UNIT (XC1-021X-XX)

Ref.No	Address	Parts No.	Description	Destination	Ref.No	Address	Parts No.	Description	Destination
L656		L41-1085-14	SMALL FIXED INDUCTOR(100NH)		L817		L92-0639-05	CHIP FERRITE	
L657		L41-1085-14	SMALL FIXED INDUCTOR(100NH)		L819		L41-1005-52	SMALL FIXED INDUCTOR(10UH)	
L658		L40-3391-86	SMALL FIXED INDUCTOR(3.3UH/160)		L822		L41-1005-52	SMALL FIXED INDUCTOR(10UH)	
L659		L40-1288-67	SMALL FIXED INDUCTOR(120NH/8)		L824		L39-1480-15	TOROIDAL COIL	
L660		L41-1085-14	SMALL FIXED INDUCTOR(100NH)		L825		L40-1588-67	SMALL FIXED INDUCTOR(150NH/8)	
L661		L41-1085-14	SMALL FIXED INDUCTOR(100NH)		L826		L40-1088-67	SMALL FIXED INDUCTOR(100NH/8)	
L662		L41-3385-52	SMALL FIXED INDUCTOR(0.33UH)		L827		L41-3391-08	SMALL FIXED INDUCTOR(3.3NH)	
L663		L41-4785-52	SMALL FIXED INDUCTOR(0.47UH)		L828		L40-8278-67	SMALL FIXED INDUCTOR(82NH/8)	
L664		L41-2785-52	SMALL FIXED INDUCTOR(0.27UH)		L829		L41-1895-52	SMALL FIXED INDUCTOR(1.8UH)	
L665		L41-6878-14	SMALL FIXED INDUCTOR(68NH)		L840		L41-1895-52	SMALL FIXED INDUCTOR(1.8UH)	
L666		L41-1085-14	SMALL FIXED INDUCTOR(100NH)		L903		L92-0639-05	CHIP FERRITE	
L667		L41-6878-14	SMALL FIXED INDUCTOR(68NH)		L904		L92-0639-05	CHIP FERRITE	
L668		L34-4936-05	COIL		L905		L92-0639-05	CHIP FERRITE	
L669		L41-5678-14	SMALL FIXED INDUCTOR(56NH)		L906		L41-2295-52	SMALL FIXED INDUCTOR(2.2UH)	
L670		L41-2285-14	SMALL FIXED INDUCTOR(220NH)		L907		L92-0639-05	CHIP FERRITE	
L671		L34-4936-05	COIL		L908		L92-0639-05	CHIP FERRITE	
L672		L40-1288-67	SMALL FIXED INDUCTOR(120NH/8)		L909		L92-0639-05	CHIP FERRITE	
L673		L34-4936-05	COIL		L910		L92-0639-05	CHIP FERRITE	
L674		L41-5678-14	SMALL FIXED INDUCTOR(56NH)		L911		L92-0639-05	CHIP FERRITE	
L675		L41-2785-14	SMALL FIXED INDUCTOR(270NH)		L912		L92-0639-05	CHIP FERRITE	
L676		L34-4936-05	COIL		L913		L92-0639-05	CHIP FERRITE	
L677		L34-4936-05	COIL		L916		L33-2375-05	CHOKE COIL	
L678		L41-1085-14	SMALL FIXED INDUCTOR(100NH)		L917		L33-1554-05	CHOKE COIL	
L679		L41-5678-14	SMALL FIXED INDUCTOR(56NH)		L919		L41-4705-52	SMALL FIXED INDUCTOR(47UH)	
L680		L41-2785-14	SMALL FIXED INDUCTOR(270NH)		L920		L41-2295-52	SMALL FIXED INDUCTOR(2.2UH)	
L681		L34-4936-05	COIL		Q1		LTC014EEBFS8	DIGITAL TRANSISTOR	
L682		L41-1085-14	SMALL FIXED INDUCTOR(100NH)		Q2		TPC6111-F	FET	
L683		L41-2285-14	SMALL FIXED INDUCTOR(220NH)		Q3		TPC6111-F	FET	
L684		L41-8275-14	SMALL FIXED INDUCTOR(82NH)		Q4		LTC043TEBFS8	TRANSISTOR	
L685		L41-6878-14	SMALL FIXED INDUCTOR(68NH)		Q61		2SC5566-E	TRANSISTOR	
L686		L41-1895-52	SMALL FIXED INDUCTOR(1.8UH)		Q62		RUE002N02	FET	
L687		L40-3391-86	SMALL FIXED INDUCTOR(3.3UH/160)		Q63		LTC023YEBFS8	TRANSISTOR	
L688		L41-1095-52	SMALL FIXED INDUCTOR(1.0UH)		Q64		DTB143EK	DIGITAL TRANSISTOR	
L689		L41-3385-52	SMALL FIXED INDUCTOR(0.33UH)		Q65		2SC4617(R)	TRANSISTOR	
L690		LR79F0ED39NG	CHIP INDUCTOR		Q66		LTC023YEBFS8	TRANSISTOR	
L691		LR79F0ED33NG	CHIP INDUCTOR		Q67		DTB143EK	DIGITAL TRANSISTOR	
L692		L41-6878-14	SMALL FIXED INDUCTOR(68NH)		Q501		2SC4617(R)	TRANSISTOR	
L693		L41-4785-52	SMALL FIXED INDUCTOR(0.47UH)		Q502		2SC4617(R)	TRANSISTOR	
L696		L41-1895-52	SMALL FIXED INDUCTOR(1.8UH)		Q503		2SC5108(Y)F	TRANSISTOR	
L697		L41-1085-14	SMALL FIXED INDUCTOR(100NH)		Q504		2SC4617(R)	TRANSISTOR	
L698		L40-1288-67	SMALL FIXED INDUCTOR(120NH/8)		Q505		2SC4617(R)	TRANSISTOR	
L801		L41-1095-52	SMALL FIXED INDUCTOR(1.0UH)		Q506		2SC4649(N,P)	TRANSISTOR	
L802		L41-1005-52	SMALL FIXED INDUCTOR(10UH)		Q601		2SC4617(R)	TRANSISTOR	
L803		L41-1005-52	SMALL FIXED INDUCTOR(10UH)		Q602		2SC4617(R)	TRANSISTOR	
L804		L40-1581-86	SMALL FIXED INDUCTOR(0.15U/160)		Q651		LTA014EEBFS8	DIGITAL TRANSISTOR	
L805		L41-2285-52	SMALL FIXED INDUCTOR(0.22UH)		Q652		LTC044EEBFS8	DIGITAL TRANSISTOR	
L806		L41-1005-52	SMALL FIXED INDUCTOR(10UH)		Q653		LTA014EEBFS8	DIGITAL TRANSISTOR	
L807		L41-2785-08	SMALL FIXED INDUCTOR(270NH)		Q654		LTC044EEBFS8	DIGITAL TRANSISTOR	
L808		L41-1005-52	SMALL FIXED INDUCTOR(10UH)		Q655		LTA014EEBFS8	DIGITAL TRANSISTOR	
L809		L41-3388-08	SMALL FIXED INDUCTOR(330NH)		Q656		LTC044EEBFS8	DIGITAL TRANSISTOR	
L810		L34-4645-15	AIR-CORE COIL		Q657		LTA014EEBFS8	DIGITAL TRANSISTOR	
L811		L41-3388-08	SMALL FIXED INDUCTOR(330NH)		Q658		LTC044EEBFS8	DIGITAL TRANSISTOR	
L812		L41-3388-08	SMALL FIXED INDUCTOR(330NH)		Q659		LTA014EEBFS8	DIGITAL TRANSISTOR	
L813		L41-3375-53	SMALL FIXED INDUCTOR(33NH)						
L814		LR79F0ED33NG	CHIP INDUCTOR						

## PARTS LIST

### CONTROL UNIT (XC1-021X-XX)

Ref.No	Address	Parts No.	Description	Desti-nation	Ref.No	Address	Parts No.	Description	Desti-nation
Q660		LTC044EEBFS8	DIGITAL TRANSISTOR		R44		RK73PB2H6R8J	CHIP R	6.8 J 1/2W
Q661		LTA014EEBFS8	DIGITAL TRANSISTOR		R45		RK73PB2H101J	CHIP R	100 J 1/2W
Q662		LTC044EEBFS8	DIGITAL TRANSISTOR		R46		RK73GH2A333D	CHIP R	33K D 1/10W
Q663		2SC5108(Y)F	TRANSISTOR		R47		RK73GH2A622D	CHIP R	6.2K D 1/10W
Q664		RE1C001ZP	FET		R48		RK73GB2A000J	CHIP R	0.0 J 1/10W
Q801		2SC4649(N,P)	TRANSISTOR		R49		RK73PB2H2R2J	CHIP R	2.2 J 1/2W
Q802		RE1C001ZP	FET		R50		RK73PB2H2R2J	CHIP R	2.2 J 1/2W
Q803		2SC4617(R)	TRANSISTOR		R51		RK73PB2H2R2J	CHIP R	2.2 J 1/2W
Q804		2SC5108(Y)F	TRANSISTOR		R61		RK73GB2A000J	CHIP R	0.0 J 1/10W
Q805		2SC4617(R)	TRANSISTOR		R62		RK73GB2A000J	CHIP R	0.0 J 1/10W
Q806		MCH3914(7)-H	FET		R63		RK73GB2A470J	CHIP R	47 J 1/10W
Q807		2SC5108(Y)F	TRANSISTOR		R64		RK73GB2A470J	CHIP R	47 J 1/10W
Q808		2SC5108(Y)F	TRANSISTOR		R65		RK73GB2A101J	CHIP R	100 J 1/10W
Q901		RE1C001ZP	FET		R66		RK73GB2A101J	CHIP R	100 J 1/10W
Q902		RE1C002ZP	FET		R67		RK73GB2A101J	CHIP R	100 J 1/10W
Q903		RE1C001ZP	FET		R68		RK73GB2A101J	CHIP R	100 J 1/10W
Q904		RE1C001ZP	FET		R69		RK73GB2A101J	CHIP R	100 J 1/10W
Q905		LTC014EEBFS8	DIGITAL TRANSISTOR		R70		RK73GB2A101J	CHIP R	100 J 1/10W
Q906		LTC014EEBFS8	DIGITAL TRANSISTOR		R71		RK73GB2A101J	CHIP R	100 J 1/10W
Q907		LTC014EEBFS8	DIGITAL TRANSISTOR		R72		RK73GB2A470J	CHIP R	47 J 1/10W
Q908		LTC014EEBFS8	DIGITAL TRANSISTOR		R73		RK73GB2A470J	CHIP R	47 J 1/10W
Q909		LTC014EEBFS8	DIGITAL TRANSISTOR		R74		RK73GB2A470J	CHIP R	47 J 1/10W
R1		RK73GB2A473J	CHIP R	47K J 1/10W	R75		RK73GB2A123J	CHIP R	12K J 1/10W
R2		RK73GB2A000J	CHIP R	0.0 J 1/10W	R77		RK73GB2A223J	CHIP R	22K J 1/10W
R3		RK73EB2E000J	CHIP R	0.0 J 1/4W	R79		RK73GB2A334J	CHIP R	330K J 1/10W
R4		RK73GB2A103J	CHIP R	10K J 1/10W	R80		RK73GB2A334J	CHIP R	330K J 1/10W
R5		RK73GB2A184J	CHIP R	180K J 1/10W	R81		RK73GB2A472J	CHIP R	4.7K J 1/10W
R6		RK73GB2A103J	CHIP R	10K J 1/10W	R82		RK73GB2A222J	CHIP R	2.2K J 1/10W
R7		RK73GB2A101J	CHIP R	100 J 1/10W	R83		RK73GB2A222J	CHIP R	2.2K J 1/10W
R8		RK73GH2A393D	CHIP R	39K D 1/10W	R85		RK73GB2A104J	CHIP R	100K J 1/10W
R9		RK73GH2A123D	CHIP R	12K D 1/10W	R86		RK73GB2A223J	CHIP R	22K J 1/10W
R11		RK73EB2E000J	CHIP R	0.0 J 1/4W	R87		RK73GB2A223J	CHIP R	22K J 1/10W
R12		RK73EB2E000J	CHIP R	0.0 J 1/4W	R88		RK73GB2A183J	CHIP R	18K J 1/10W
R13		RK73GB2A000J	CHIP R	0.0 J 1/10W	R89		RK73GB2A183J	CHIP R	18K J 1/10W
R14		RK73GB2A473J	CHIP R	47K J 1/10W	R91		RK73GB2A103J	CHIP R	10K J 1/10W
R15		RK73GB2A103J	CHIP R	10K J 1/10W	R92		RK73GB2A103J	CHIP R	10K J 1/10W
R16		RK73GB2A184J	CHIP R	180K J 1/10W	R94		RK73GB2A183J	CHIP R	18K J 1/10W
R17		RK73GB2A103J	CHIP R	10K J 1/10W	R95		RK73GB2A183J	CHIP R	18K J 1/10W
R18		RK73GB2A101J	CHIP R	100 J 1/10W	R96		RK73GB2A223J	CHIP R	22K J 1/10W
R19		RK73GH2A124D	CHIP R	120K D 1/10W	R97		RK73GB2A223J	CHIP R	22K J 1/10W
R20		RK73GH2A133D	CHIP R	13K D 1/10W	R98		RK73GB2A183J	CHIP R	18K J 1/10W
R22		RK73EB2E000J	CHIP R	0.0 J 1/4W	R99		RK73GB2A183J	CHIP R	18K J 1/10W
R25		RK73FB2B000J	CHIP R	0.0 J 1/8W	R100		RK73GB2A183J	CHIP R	18K J 1/10W
R26		RK73EB2E000J	CHIP R	0.0 J 1/4W	R101		RK73GB2A183J	CHIP R	18K J 1/10W
R27		RK73GB2A473J	CHIP R	47K J 1/10W	R104		RK73GB2A100J	CHIP R	10 J 1/10W
R28		RK73GB2A103J	CHIP R	10K J 1/10W	R105		RK73GB2A100J	CHIP R	10 J 1/10W
R29		RK73EB2E000J	CHIP R	0.0 J 1/4W	R106		RK73GB2A682J	CHIP R	6.8K J 1/10W
R30		RK73GB2A103J	CHIP R	10K J 1/10W	R108		RK73GB2A223J	CHIP R	22K J 1/10W
R31		RK73EB2E000J	CHIP R	0.0 J 1/4W	R109		RK73GB2A223J	CHIP R	22K J 1/10W
R33		RK73PB2H1R0J	CHIP R	1.0 J 1/2W	R110		RK73GB2A682J	CHIP R	6.8K J 1/10W
R34		RK73PB2H1R0J	CHIP R	1.0 J 1/2W	R111		RK73GB2A333J	CHIP R	33K J 1/10W
R35		RK73PB2H1R0J	CHIP R	1.0 J 1/2W	R112		RK73GB2A103J	CHIP R	10K J 1/10W
R36		RK73PB2H1R0J	CHIP R	1.0 J 1/2W	R113		RK73GB2A103J	CHIP R	10K J 1/10W
R37		RK73PB2H101J	CHIP R	100 J 1/2W	R115		RK73GB2A333J	CHIP R	33K J 1/10W
R43		RK73PB2H6R8J	CHIP R	6.8 J 1/2W	R116		RK73GB2A333J	CHIP R	33K J 1/10W

## PARTS LIST

### CONTROL UNIT (XC1-021X-XX)

Ref.No	Address	Parts No.	Description	Desti-nation	Ref.No	Address	Parts No.	Description	Desti-nation
R117		RK73GB2A223J	CHIP R 22K J 1/10W		R183		RK73GB2A183J	CHIP R 18K J 1/10W	
R118		RK73GB2A223J	CHIP R 22K J 1/10W		R184		RK73GB2A183J	CHIP R 18K J 1/10W	
R119		RK73GB2A472J	CHIP R 4.7K J 1/10W		R185		RK73GB2A223J	CHIP R 22K J 1/10W	
R120		RK73GB2A333J	CHIP R 33K J 1/10W		R186		RK73GB2A223J	CHIP R 22K J 1/10W	
R121		RK73GB2A333J	CHIP R 33K J 1/10W		R188		RK73GB2A183J	CHIP R 18K J 1/10W	
R122		RK73GB2A472J	CHIP R 4.7K J 1/10W		R189		RK73GB2A183J	CHIP R 18K J 1/10W	
R125		RK73GB2A220J	CHIP R 22 J 1/10W		R190		RK73GB2A822J	CHIP R 8.2K J 1/10W	
R126		RK73GB2A220J	CHIP R 22 J 1/10W		R192		RK73GB2A183J	CHIP R 18K J 1/10W	
R127		RK73GB2A151J	CHIP R 150 J 1/10W		R193		RK73GB2A183J	CHIP R 18K J 1/10W	
R128		RK73GB2A102J	CHIP R 1.0K J 1/10W		R194		RK73GB2A183J	CHIP R 18K J 1/10W	
R129		RK73GB2A4R7J	CHIP R 4.7 J 1/10W		R195		RK73GB2A223J	CHIP R 22K J 1/10W	
R130		RK73GB2A102J	CHIP R 1.0K J 1/10W		R196		RK73GB2A223J	CHIP R 22K J 1/10W	
R131		RK73GB2A682J	CHIP R 6.8K J 1/10W		R198		RK73GB2A822J	CHIP R 8.2K J 1/10W	
R132		RK73GB2A000J	CHIP R 0.0 J 1/10W		R199		RK73GB2A683J	CHIP R 68K J 1/10W	
R133		RK73GB2A104J	CHIP R 100K J 1/10W		R200		RK73GB2A683J	CHIP R 68K J 1/10W	
R134		RK73GB2A103J	CHIP R 10K J 1/10W		R205		RK73GB2A183J	CHIP R 18K J 1/10W	
R135		RK73GB2A102J	CHIP R 1.0K J 1/10W		R206		RK73GB2A183J	CHIP R 18K J 1/10W	
R136		RK73GB2A103J	CHIP R 10K J 1/10W		R207		RK73GB2A183J	CHIP R 18K J 1/10W	
R137		RK73GB2A000J	CHIP R 0.0 J 1/10W		R208		RK73GB2A223J	CHIP R 22K J 1/10W	
R140		RK73GB2A472J	CHIP R 4.7K J 1/10W		R209		RK73GB2A223J	CHIP R 22K J 1/10W	
R141		RK73GB2A123J	CHIP R 12K J 1/10W		R211		RK73GB2A183J	CHIP R 18K J 1/10W	
R142		RK73GB2A183J	CHIP R 18K J 1/10W		R212		RK73GB2A183J	CHIP R 18K J 1/10W	
R143		RK73GB2A123J	CHIP R 12K J 1/10W		R213		RK73GB2A183J	CHIP R 18K J 1/10W	
R144		RK73GB2A223J	CHIP R 22K J 1/10W		R214		RK73GB2A000J	CHIP R 0.0 J 1/10W	
R145		RK73GB2A822J	CHIP R 8.2K J 1/10W		R216		RK73GB2A103J	CHIP R 10K J 1/10W	
R146		RK73GB2A223J	CHIP R 22K J 1/10W		R217		RK73GB2A223J	CHIP R 22K J 1/10W	
R147		RK73GB2A223J	CHIP R 22K J 1/10W		R218		RK73GB2A223J	CHIP R 22K J 1/10W	
R148		RK73GB2A223J	CHIP R 22K J 1/10W		R219		RK73GB2A272J	CHIP R 2.7K J 1/10W	
R149		RK73GB2A223J	CHIP R 22K J 1/10W		R220		RK73GB2A000J	CHIP R 0.0 J 1/10W	
R152		RK73GB2A123J	CHIP R 12K J 1/10W		R222		RK73GB2A104J	CHIP R 100K J 1/10W	
R153		RK73GB2A183J	CHIP R 18K J 1/10W		R223		RK73GB2A103J	CHIP R 10K J 1/10W	
R154		RK73GB2A153J	CHIP R 15K J 1/10W		R224		RK73GB2A102J	CHIP R 1.0K J 1/10W	
R155		RK73GB2A223J	CHIP R 22K J 1/10W		R226		RK73GB2A223J	CHIP R 22K J 1/10W	
R158		RK73GB2A472J	CHIP R 4.7K J 1/10W		R227		RK73GB2A223J	CHIP R 22K J 1/10W	
R159		RK73GB2A822J	CHIP R 8.2K J 1/10W		R229		RK73GB2A183J	CHIP R 18K J 1/10W	
R160		RK73GB2A123J	CHIP R 12K J 1/10W		R230		RK73GB2A183J	CHIP R 18K J 1/10W	
R161		RK73GB2A682J	CHIP R 6.8K J 1/10W		R231		RK73GB2A183J	CHIP R 18K J 1/10W	
R162		RK73GB2A682J	CHIP R 6.8K J 1/10W		R232		RK73GB2A183J	CHIP R 18K J 1/10W	
R163		RK73GB2A183J	CHIP R 18K J 1/10W		R233		RK73GB2A183J	CHIP R 18K J 1/10W	
R164		RK73GB2A682J	CHIP R 6.8K J 1/10W		R234		RK73GB2A183J	CHIP R 18K J 1/10W	
R165		RK73GB2A123J	CHIP R 12K J 1/10W		R236		RK73GB2A223J	CHIP R 22K J 1/10W	
R166		RK73GB2A103J	CHIP R 10K J 1/10W		R237		RK73GB2A183J	CHIP R 18K J 1/10W	
R167		RK73GB2A103J	CHIP R 10K J 1/10W		R238		RK73GB2A223J	CHIP R 22K J 1/10W	
R169		RK73GB2A393J	CHIP R 39K J 1/10W		R239		RK73GB2A183J	CHIP R 18K J 1/10W	
R170		RK73GB2A393J	CHIP R 39K J 1/10W		R240		RK73GB2A183J	CHIP R 18K J 1/10W	
R171		RK73GB2A103J	CHIP R 10K J 1/10W		R242		RK73GB2A473J	CHIP R 47K J 1/10W	
R172		RK73GB2A103J	CHIP R 10K J 1/10W		R243		RK73GB2A103J	CHIP R 10K J 1/10W	
R174		RK73GB2A103J	CHIP R 10K J 1/10W		R244		RK73GB2A473J	CHIP R 47K J 1/10W	
R175		RK73GB2A103J	CHIP R 10K J 1/10W		R246		RK73GB2A223J	CHIP R 22K J 1/10W	
R176		RK73GB2A103J	CHIP R 10K J 1/10W		R247		RK73GB2A183J	CHIP R 18K J 1/10W	
R177		RK73GB2A101J	CHIP R 100 J 1/10W		R248		RK73GB2A223J	CHIP R 22K J 1/10W	
R178		RK73GB2A471J	CHIP R 470 J 1/10W		R249		RK73GB2A183J	CHIP R 18K J 1/10W	
R179		RK73GB2A104J	CHIP R 100K J 1/10W		R250		RK73GB2A183J	CHIP R 18K J 1/10W	
R181		RK73GB2A104J	CHIP R 100K J 1/10W		R252		RK73GB2A472J	CHIP R 4.7K J 1/10W	
R182		RK73GB2A822J	CHIP R 8.2K J 1/10W						

## PARTS LIST

### CONTROL UNIT (XC1-021X-XX)

Ref.No	Address	Parts No.	Description	Desti-nation	Ref.No	Address	Parts No.	Description	Desti-nation
R253		RK73GB2A472J	CHIP R 4.7K J 1/10W		R336		RK73GB2A470J	CHIP R 47 J 1/10W	
R254		RK73GB2A332J	CHIP R 3.3K J 1/10W		R339		RK73GB2A000J	CHIP R 0.0 J 1/10W	
R255		RK73GB2A472J	CHIP R 4.7K J 1/10W		R341		RK73GB2A473J	CHIP R 47K J 1/10W	
R256		RK73GB2A472J	CHIP R 4.7K J 1/10W		R343		RK73GB2A000J	CHIP R 0.0 J 1/10W	
R257		RK73GB2A103J	CHIP R 10K J 1/10W		R344		RK73GB2A470J	CHIP R 47 J 1/10W	
R258		RK73GB2A472J	CHIP R 4.7K J 1/10W		R345		RK73GB2A473J	CHIP R 47K J 1/10W	
R259		RK73GB2A102J	CHIP R 1.0K J 1/10W		R346		RK73GB2A473J	CHIP R 47K J 1/10W	
R260		RK73GB2A102J	CHIP R 1.0K J 1/10W		R347		RK73GB2A473J	CHIP R 47K J 1/10W	
R261		RK73GB2A103J	CHIP R 10K J 1/10W		R348		RK73GB2A473J	CHIP R 47K J 1/10W	
R262		RK73GB2A103J	CHIP R 10K J 1/10W		R355		RK73GB2A473J	CHIP R 47K J 1/10W	
R263		RK73GB2A103J	CHIP R 10K J 1/10W		R357		RK73GB2A473J	CHIP R 47K J 1/10W	
R264		RK73GB2A103J	CHIP R 10K J 1/10W		R365		RK73GB2A105J	CHIP R 1.0M J 1/10W	
R265		RK73GB2A103J	CHIP R 10K J 1/10W		R366		RK73GB2A000J	CHIP R 0.0 J 1/10W	
R266		RK73GB2A103J	CHIP R 10K J 1/10W		R367		RK73GB2A473J	CHIP R 47K J 1/10W	
R267		RK73GB2A102J	CHIP R 1.0K J 1/10W		R370		RK73GB2A330J	CHIP R 33 J 1/10W	
R268		RK73GB2A102J	CHIP R 1.0K J 1/10W		R372		RK73GB2A472J	CHIP R 4.7K J 1/10W	
R269		RK73GB2A000J	CHIP R 0.0 J 1/10W		R375		RK73GB2A472J	CHIP R 4.7K J 1/10W	
R270		RK73GB2A473J	CHIP R 47K J 1/10W		R378		RK73GB2A102J	CHIP R 1.0K J 1/10W	
R271		RK73GB2A473J	CHIP R 47K J 1/10W		R380		RK73GB2A105J	CHIP R 1.0M J 1/10W	
R272		RK73GB2A473J	CHIP R 47K J 1/10W		R381		RK73GB2A105J	CHIP R 1.0M J 1/10W	
R273		RK73GB2A473J	CHIP R 47K J 1/10W		R382		RK73GB2A473J	CHIP R 47K J 1/10W	
R274		RK73GB2A000J	CHIP R 0.0 J 1/10W		R383		RK73GB2A101J	CHIP R 100 J 1/10W	
R278		RK73GB2A000J	CHIP R 0.0 J 1/10W		R384		RK73GB2A000J	CHIP R 0.0 J 1/10W	
R282		RK73GB2A000J	CHIP R 0.0 J 1/10W		R385		RK73GB2A000J	CHIP R 0.0 J 1/10W	
R283		RK73GB2A000J	CHIP R 0.0 J 1/10W		R386		RK73GB2A000J	CHIP R 0.0 J 1/10W	
R284		RK73GB2A000J	CHIP R 0.0 J 1/10W		R387		RK73GB2A101J	CHIP R 100 J 1/10W	
R289		RK73GB2A000J	CHIP R 0.0 J 1/10W		R388		RK73GB2A000J	CHIP R 0.0 J 1/10W	
R293		RK73GB2A000J	CHIP R 0.0 J 1/10W	K	R389		RK73GB2A154J	CHIP R 150K J 1/10W	
R294		RK73GB2A000J	CHIP R 0.0 J 1/10W	E	R390		RK73GB2A000J	CHIP R 0.0 J 1/10W	
R300		RK73GB2A473J	CHIP R 47K J 1/10W		R391		RK73GB2A473J	CHIP R 47K J 1/10W	
R303		RK73GB2A101J	CHIP R 100 J 1/10W		R393		RK73GB2A105J	CHIP R 1.0M J 1/10W	
R306		RK73GB2A473J	CHIP R 47K J 1/10W		R394		RK73GB2A473J	CHIP R 47K J 1/10W	
R309		RK73GB2A470J	CHIP R 47 J 1/10W		R395		RK73GB2A473J	CHIP R 47K J 1/10W	
R312		RK73GB2A470J	CHIP R 47 J 1/10W		R397		RK73GB2A102J	CHIP R 1.0K J 1/10W	
R313		RK73GB2A470J	CHIP R 47 J 1/10W		R398		RK73GB2A102J	CHIP R 1.0K J 1/10W	
R314		RK73GB2A470J	CHIP R 47 J 1/10W		R399		RK73GB2A102J	CHIP R 1.0K J 1/10W	E
R315		RK73GB2A473J	CHIP R 47K J 1/10W		R403		RK73GB2A473J	CHIP R 47K J 1/10W	
R316		RK73GB2A000J	CHIP R 0.0 J 1/10W		R405		RK73GB2A102J	CHIP R 1.0K J 1/10W	
R317		RK73GB2A470J	CHIP R 47 J 1/10W		R406		RK73GB2A473J	CHIP R 47K J 1/10W	
R320		RK73GB2A470J	CHIP R 47 J 1/10W		R407		RK73GB2A101J	CHIP R 100 J 1/10W	
R321		RK73GB2A473J	CHIP R 47K J 1/10W		R408		RK73GB2A473J	CHIP R 47K J 1/10W	
R322		RK73GB2A470J	CHIP R 47 J 1/10W		R409		RK73GB2A473J	CHIP R 47K J 1/10W	
R323		RK73GB2A473J	CHIP R 47K J 1/10W		R410		RK73GB2A473J	CHIP R 47K J 1/10W	
R324		RK73GB2A470J	CHIP R 47 J 1/10W		R411		RK73GB2A473J	CHIP R 47K J 1/10W	
R325		RK73GB2A473J	CHIP R 47K J 1/10W		R412		RK73GB2A105J	CHIP R 1.0M J 1/10W	
R326		RK73GB2A470J	CHIP R 47 J 1/10W		R413		RK73GB2A105J	CHIP R 1.0M J 1/10W	
R327		RK73GB2A473J	CHIP R 47K J 1/10W		R414		RK73GB2A473J	CHIP R 47K J 1/10W	
R328		RK73GB2A470J	CHIP R 47 J 1/10W		R415		RK73GB2A103J	CHIP R 10K J 1/10W	
R329		RK73GB2A473J	CHIP R 47K J 1/10W		R416		RK73GB2A103J	CHIP R 10K J 1/10W	
R330		RK73GB2A470J	CHIP R 47 J 1/10W		R417		RK73GB2A101J	CHIP R 100 J 1/10W	
R331		RK73GB2A473J	CHIP R 47K J 1/10W		R418		RK73GB2A101J	CHIP R 100 J 1/10W	
R332		RK73GB2A000J	CHIP R 0.0 J 1/10W		R419		RK73GB2A473J	CHIP R 47K J 1/10W	
R333		RK73GB2A000J	CHIP R 0.0 J 1/10W		R420		RK73GB2A473J	CHIP R 47K J 1/10W	
R334		RK73GB2A470J	CHIP R 47 J 1/10W		R421		RK73GB2A473J	CHIP R 47K J 1/10W	
R335		RK73GB2A470J	CHIP R 47 J 1/10W		R422		RK73GB2A473J	CHIP R 47K J 1/10W	

## PARTS LIST

### CONTROL UNIT (XC1-021X-XX)

Ref.No	Address	Parts No.	Description	Desti-nation	Ref.No	Address	Parts No.	Description	Desti-nation
R423		RK73GB2A473J	CHIP R 47K J 1/10W		R490		RK73GB2A101J	CHIP R 100 J 1/10W	
R424		RK73GB2A000J	CHIP R 0.0 J 1/10W		R491		RK73GB2A101J	CHIP R 100 J 1/10W	
R425		RK73GB2A103J	CHIP R 10K J 1/10W		R492		RK73GB2A101J	CHIP R 100 J 1/10W	
R426		RK73GB2A183J	CHIP R 18K J 1/10W		R493		RK73GB2A101J	CHIP R 100 J 1/10W	
R439		RK73GB2A101J	CHIP R 100 J 1/10W		R494		RK73GB2A101J	CHIP R 100 J 1/10W	
R440		RK73GB2A101J	CHIP R 100 J 1/10W		R495		RK73GB2A473J	CHIP R 47K J 1/10W	
R441		RK73GB2A101J	CHIP R 100 J 1/10W		R497		RK73GB2A473J	CHIP R 47K J 1/10W	
R442		RK73GB2A101J	CHIP R 100 J 1/10W		R498		RK73GB2A472J	CHIP R 4.7K J 1/10W	
R443		RK73GB2A101J	CHIP R 100 J 1/10W		R499		RK73GB2A473J	CHIP R 47K J 1/10W	
R444		RK73GB2A101J	CHIP R 100 J 1/10W		R501		RK73GB2A101J	CHIP R 100 J 1/10W	
R445		RK73GB2A101J	CHIP R 100 J 1/10W		R502		RK73GB2A101J	CHIP R 100 J 1/10W	
R446		RK73GB2A101J	CHIP R 100 J 1/10W		R503		RK73GB2A101J	CHIP R 100 J 1/10W	
R447		RK73GB2A101J	CHIP R 100 J 1/10W		R504		RK73GB2A101J	CHIP R 100 J 1/10W	
R448		RK73GB2A101J	CHIP R 100 J 1/10W		R505		RK73GB2A101J	CHIP R 100 J 1/10W	
R449		RK73GB2A101J	CHIP R 100 J 1/10W		R506		RK73GB2A101J	CHIP R 100 J 1/10W	
R450		RK73GB2A101J	CHIP R 100 J 1/10W		R507		RK73GB2A101J	CHIP R 100 J 1/10W	
R451		RK73GB2A101J	CHIP R 100 J 1/10W		R508		RK73GB2A101J	CHIP R 100 J 1/10W	
R452		RK73GB2A101J	CHIP R 100 J 1/10W		R509		RK73GB2A101J	CHIP R 100 J 1/10W	
R453		RK73GB2A101J	CHIP R 100 J 1/10W		R510		RK73GB2A101J	CHIP R 100 J 1/10W	
R454		RK73GB2A101J	CHIP R 100 J 1/10W		R511		RK73GB2A101J	CHIP R 100 J 1/10W	
R455		RK73GB2A101J	CHIP R 100 J 1/10W		R512		RK73GB2A101J	CHIP R 100 J 1/10W	
R456		RK73GB2A101J	CHIP R 100 J 1/10W		R513		RK73GB2A101J	CHIP R 100 J 1/10W	
R457		RK73GB2A101J	CHIP R 100 J 1/10W		R514		RK73GB2A101J	CHIP R 100 J 1/10W	
R458		RK73GB2A101J	CHIP R 100 J 1/10W		R515		RK73GB2A101J	CHIP R 100 J 1/10W	
R459		RK73GB2A101J	CHIP R 100 J 1/10W		R516		RK73GB2A101J	CHIP R 100 J 1/10W	
R460		RK73GB2A101J	CHIP R 100 J 1/10W		R517		RK73GB2A101J	CHIP R 100 J 1/10W	
R461		RK73GB2A101J	CHIP R 100 J 1/10W		R518		RK73GB2A101J	CHIP R 100 J 1/10W	
R462		RK73GB2A101J	CHIP R 100 J 1/10W		R519		RK73GB2A101J	CHIP R 100 J 1/10W	
R463		RK73GB2A101J	CHIP R 100 J 1/10W		R520		RK73GB2A101J	CHIP R 100 J 1/10W	
R464		RK73GB2A101J	CHIP R 100 J 1/10W		R521		RK73GB2A101J	CHIP R 100 J 1/10W	
R465		RK73GB2A101J	CHIP R 100 J 1/10W		R522		RK73GB2A101J	CHIP R 100 J 1/10W	
R466		RK73GB2A101J	CHIP R 100 J 1/10W		R523		RK73GB2A101J	CHIP R 100 J 1/10W	
R467		RK73GB2A101J	CHIP R 100 J 1/10W		R524		RK73GB2A101J	CHIP R 100 J 1/10W	
R468		RK73GB2A101J	CHIP R 100 J 1/10W		R525		RK73GB2A101J	CHIP R 100 J 1/10W	
R469		RK73GB2A101J	CHIP R 100 J 1/10W		R526		RK73GB2A101J	CHIP R 100 J 1/10W	
R470		RK73GB2A101J	CHIP R 100 J 1/10W		R527		RK73GB2A101J	CHIP R 100 J 1/10W	
R471		RK73GB2A101J	CHIP R 100 J 1/10W		R528		RK73GB2A103J	CHIP R 10K J 1/10W	
R472		RK73GB2A101J	CHIP R 100 J 1/10W		R530		RK73GB2A223J	CHIP R 22K J 1/10W	
R473		RK73GB2A101J	CHIP R 100 J 1/10W		R531		RK73GB2A101J	CHIP R 100 J 1/10W	
R474		RK73GB2A101J	CHIP R 100 J 1/10W		R532		RK73GB2A222J	CHIP R 2.2K J 1/10W	
R475		RK73GB2A101J	CHIP R 100 J 1/10W		R535		RK73PB2H2R2J	CHIP R 2.2 J 1/2W	
R476		RK73GB2A101J	CHIP R 100 J 1/10W		R536		RK73PB2H2R2J	CHIP R 2.2 J 1/2W	
R477		RK73GB2A101J	CHIP R 100 J 1/10W		R537		RK73GB2A100J	CHIP R 10 J 1/10W	
R478		RK73GB2A101J	CHIP R 100 J 1/10W		R538		RK73GB2A101J	CHIP R 100 J 1/10W	
R479		RK73GB2A101J	CHIP R 100 J 1/10W		R539		RK73GB2A822J	CHIP R 8.2K J 1/10W	
R480		RK73GB2A101J	CHIP R 100 J 1/10W		R540		RK73GB2A153J	CHIP R 15K J 1/10W	
R481		RK73GB2A101J	CHIP R 100 J 1/10W		R541		RK73GB2A391J	CHIP R 390 J 1/10W	
R482		RK73GB2A101J	CHIP R 100 J 1/10W		R542		RK73GB2A181J	CHIP R 180 J 1/10W	
R483		RK73GB2A101J	CHIP R 100 J 1/10W		R543		RK73GB2A224J	CHIP R 220K J 1/10W	
R484		RK73GB2A101J	CHIP R 100 J 1/10W		R544		RK73GB2A470J	CHIP R 47 J 1/10W	
R485		RK73GB2A101J	CHIP R 100 J 1/10W		R545		RK73GB2A180J	CHIP R 18 J 1/10W	
R486		RK73GB2A101J	CHIP R 100 J 1/10W		R546		RK73GB2A180J	CHIP R 18 J 1/10W	
R487		RK73GB2A101J	CHIP R 100 J 1/10W		R547		RK73GB2A180J	CHIP R 18 J 1/10W	
R488		RK73GB2A101J	CHIP R 100 J 1/10W		R548		RK73GB2A153J	CHIP R 15K J 1/10W	
R489		RK73GB2A101J	CHIP R 100 J 1/10W						

## PARTS LIST

### CONTROL UNIT (XC1-021X-XX)

Ref.No	Address	Parts No.	Description	Desti-nation	Ref.No	Address	Parts No.	Description	Desti-nation
R549		RK73GB2A682J	CHIP R 6.8K J 1/10W		R652		RK73GB2A101J	CHIP R 100 J 1/10W	
R550		RK73GB2A470J	CHIP R 47 J 1/10W		R653		RK73GB2A101J	CHIP R 100 J 1/10W	
R551		RK73GB2A271J	CHIP R 270 J 1/10W		R654		RK73GB2A101J	CHIP R 100 J 1/10W	
R552		RK73GB2A470J	CHIP R 47 J 1/10W		R655		RK73GB2A102J	CHIP R 1.0K J 1/10W	
R553		RK73GB2A153J	CHIP R 15K J 1/10W		R657		RK73GB2A152J	CHIP R 1.5K J 1/10W	
R554		RK73GB2A682J	CHIP R 6.8K J 1/10W		R658		RK73GB2A102J	CHIP R 1.0K J 1/10W	
R555		RK73GB2A271J	CHIP R 270 J 1/10W		R659		RK73GB2A102J	CHIP R 1.0K J 1/10W	
R556		RK73GB2A180J	CHIP R 18 J 1/10W		R660		RK73GB2A152J	CHIP R 1.5K J 1/10W	
R557		RK73GB2A180J	CHIP R 18 J 1/10W		R661		RK73GB2A102J	CHIP R 1.0K J 1/10W	
R558		RK73GB2A470J	CHIP R 47 J 1/10W		R662		RK73GB2A102J	CHIP R 1.0K J 1/10W	
R559		RK73GB2A682J	CHIP R 6.8K J 1/10W		R663		RK73GB2A821J	CHIP R 820 J 1/10W	
R560		RK73GB2A682J	CHIP R 6.8K J 1/10W		R667		RK73GB2A104J	CHIP R 100K J 1/10W	
R561		RK73GB2A101J	CHIP R 100 J 1/10W		R668		RK73GB2A000J	CHIP R 0.0 J 1/10W	
R562		RK73GB2A102J	CHIP R 1.0K J 1/10W		R669		RK73GB2A102J	CHIP R 1.0K J 1/10W	
R563		RK73GB2A820J	CHIP R 82 J 1/10W		R671		RK73GB2A821J	CHIP R 820 J 1/10W	
R564		RK73GB2A121J	CHIP R 120 J 1/10W		R672		RK73GB2A152J	CHIP R 1.5K J 1/10W	
R565		RK73GB2A820J	CHIP R 82 J 1/10W		R673		RK73GB2A152J	CHIP R 1.5K J 1/10W	
R567		RK73GB2A101J	CHIP R 100 J 1/10W		R674		RK73GB2A152J	CHIP R 1.5K J 1/10W	
R568		RK73GB2A102J	CHIP R 1.0K J 1/10W		R675		RK73GB2A152J	CHIP R 1.5K J 1/10W	
R569		RK73GB2A272J	CHIP R 2.7K J 1/10W		R676		RK73GB2A152J	CHIP R 1.5K J 1/10W	
R601		RK73GB2A561J	CHIP R 560 J 1/10W		R679		RK73GB2A471J	CHIP R 470 J 1/10W	
R602		RK73GB2A683J	CHIP R 68K J 1/10W		R680		RK73GB2A000J	CHIP R 0.0 J 1/10W	
R604		RK73GB2A000J	CHIP R 0.0 J 1/10W		R681		RK73GB2A120J	CHIP R 12 J 1/10W	
R605		RK73GB2A102J	CHIP R 1.0K J 1/10W		R682		RK73GB2A821J	CHIP R 820 J 1/10W	
R606		RK73GB2A392J	CHIP R 3.9K J 1/10W		R684		RK73GB2A471J	CHIP R 470 J 1/10W	
R607		RK73GB2A102J	CHIP R 1.0K J 1/10W		R685		RK73GB2A271J	CHIP R 270 J 1/10W	
R608		RK73GB2A102J	CHIP R 1.0K J 1/10W		R686		RK73GB2A121J	CHIP R 120 J 1/10W	
R609		RK73GB2A560J	CHIP R 56 J 1/10W		R687		RK73GB2A151J	CHIP R 150 J 1/10W	
R610		RK73GB2A331J	CHIP R 330 J 1/10W		R688		RK73GB2A152J	CHIP R 1.5K J 1/10W	
R611		RK73GB2A101J	CHIP R 100 J 1/10W		R689		RK73GB2A121J	CHIP R 120 J 1/10W	
R612		RK73GB2A104J	CHIP R 100K J 1/10W		R690		RK73GB2A180J	CHIP R 18 J 1/10W	
R614		RK73GB2A391J	CHIP R 390 J 1/10W		R691		RK73GB2A152J	CHIP R 1.5K J 1/10W	
R615		RK73GB2A470J	CHIP R 47 J 1/10W		R692		RK73GB2A470J	CHIP R 47 J 1/10W	
R616		RK73GB2A153J	CHIP R 15K J 1/10W		R693		RK73GB2A152J	CHIP R 1.5K J 1/10W	
R617		RK73GB2A153J	CHIP R 15K J 1/10W		R694		RK73GB2A390J	CHIP R 39 J 1/10W	
R618		RK73GB2A000J	CHIP R 0.0 J 1/10W		R695		RK73GB2A470J	CHIP R 47 J 1/10W	
R619		RK73GB2A332J	CHIP R 3.3K J 1/10W		R696		RK73GB2A271J	CHIP R 270 J 1/10W	
R621		RK73GB2A332J	CHIP R 3.3K J 1/10W		R697		RK73GB2A121J	CHIP R 120 J 1/10W	
R624		RK73GB2A332J	CHIP R 3.3K J 1/10W		R698		RK73GB2A152J	CHIP R 1.5K J 1/10W	
R625		RK73GB2A000J	CHIP R 0.0 J 1/10W		R699		RK73GB2A152J	CHIP R 1.5K J 1/10W	
R626		RK73GB2A152J	CHIP R 1.5K J 1/10W		R700		RK73GB2A121J	CHIP R 120 J 1/10W	
R627		RK73GB2A000J	CHIP R 0.0 J 1/10W		R701		RK73GB2A151J	CHIP R 150 J 1/10W	
R630		RK73GB2A000J	CHIP R 0.0 J 1/10W		R702		RK73GB2A153J	CHIP R 15K J 1/10W	
R632		RK73GB2A000J	CHIP R 0.0 J 1/10W		R704		RK73GB2A821J	CHIP R 820 J 1/10W	
R633		RK73GB2A152J	CHIP R 1.5K J 1/10W		R705		RK73GB2A470J	CHIP R 47 J 1/10W	
R634		RK73GB2A152J	CHIP R 1.5K J 1/10W		R706		RK73GB2A470J	CHIP R 47 J 1/10W	
R636		RK73GB2A000J	CHIP R 0.0 J 1/10W		R707		RK73GB2A101J	CHIP R 100 J 1/10W	
R637		RK73GB2A000J	CHIP R 0.0 J 1/10W		R708		RK73GB2A104J	CHIP R 100K J 1/10W	
R638		RK73GB2A000J	CHIP R 0.0 J 1/10W		R711		RK73GB2A102J	CHIP R 1.0K J 1/10W	
R639		RK73GB2A000J	CHIP R 0.0 J 1/10W		R713		RK73GB2A472J	CHIP R 4.7K J 1/10W	
R640		RK73GB2A000J	CHIP R 0.0 J 1/10W		R714		RK73GB2A102J	CHIP R 1.0K J 1/10W	
R648		RK73GB2A821J	CHIP R 820 J 1/10W		R715		RK73GB2A102J	CHIP R 1.0K J 1/10W	
R649		RK73GB2A152J	CHIP R 1.5K J 1/10W		R716		RK73GB2A271J	CHIP R 270 J 1/10W	
R650		RK73GB2A152J	CHIP R 1.5K J 1/10W		R718		RK73GB2A180J	CHIP R 18 J 1/10W	
R651		RK73GB2A101J	CHIP R 100 J 1/10W		R720		RK73GB2A271J	CHIP R 270 J 1/10W	

## PARTS LIST

### CONTROL UNIT (XC1-021X-XX)

Ref.No	Address	Parts No.	Description	Desti-nation	Ref.No	Address	Parts No.	Description	Desti-nation
R722		RK73GB2A152J	CHIP R 1.5K J 1/10W		R860		RK73GB2A102J	CHIP R 1.0K J 1/10W	
R724		RK73GB2A821J	CHIP R 820 J 1/10W		R861		RK73GB2A101J	CHIP R 100 J 1/10W	
R725		RK73GB2A102J	CHIP R 1.0K J 1/10W		R863		RK73GB2A000J	CHIP R 0.0 J 1/10W	
R727		RK73GB2A104J	CHIP R 100K J 1/10W		R864		RK73GB2A151J	CHIP R 150 J 1/10W	
R728		RK73GB2A152J	CHIP R 1.5K J 1/10W		R865		RK73GB2A151J	CHIP R 150 J 1/10W	
R729		RK73GB2A821J	CHIP R 820 J 1/10W		R866		RK73GB2A000J	CHIP R 0.0 J 1/10W	
R801		RK73GB2A000J	CHIP R 0.0 J 1/10W		R867		RK73GB2A101J	CHIP R 100 J 1/10W	
R802		RK73GB2A180J	CHIP R 18 J 1/10W		R868		RK73GB2A000J	CHIP R 0.0 J 1/10W	
R803		RK73GB2A000J	CHIP R 0.0 J 1/10W		R869		RK73GB2A101J	CHIP R 100 J 1/10W	
R804		RK73GB2A470J	CHIP R 47 J 1/10W		R870		RK73GB2A000J	CHIP R 0.0 J 1/10W	
R805		RK73GB2A153J	CHIP R 15K J 1/10W		R871		RK73GB2A101J	CHIP R 100 J 1/10W	
R806		RK73GB2A682J	CHIP R 6.8K J 1/10W		R872		RK73GB2A000J	CHIP R 0.0 J 1/10W	
R807		RK73GB2A272J	CHIP R 2.7K J 1/10W		R873		RK73GB2A470J	CHIP R 47 J 1/10W	
R808		RK73GB2A101J	CHIP R 100 J 1/10W		R874		RK73GB2A392J	CHIP R 3.9K J 1/10W	
R809		RK73GB2A221J	CHIP R 220 J 1/10W		R875		RK73GB2A180J	CHIP R 18 J 1/10W	
R810		RK73GB2A104J	CHIP R 100K J 1/10W		R876		RK73GB2A102J	CHIP R 1.0K J 1/10W	
R811		RK73GB2A000J	CHIP R 0.0 J 1/10W		R878		RK73GB2A000J	CHIP R 0.0 J 1/10W	
R812		RK73GB2A472J	CHIP R 4.7K J 1/10W		R879		RK73GB2A101J	CHIP R 100 J 1/10W	
R813		RK73GB2A221J	CHIP R 220 J 1/10W		R880		RK73GB2A680J	CHIP R 68 J 1/10W	
R815		RK73GB2A103J	CHIP R 10K J 1/10W		R881		RK73GB2A101J	CHIP R 100 J 1/10W	
R816		RK73GB2A000J	CHIP R 0.0 J 1/10W		R882		RK73GB2A100J	CHIP R 10 J 1/10W	
R818		RK73GB2A122J	CHIP R 1.2K J 1/10W		R883		RK73GB2A101J	CHIP R 100 J 1/10W	
R820		RK73GB2A101J	CHIP R 100 J 1/10W		R884		RK73GB2A682J	CHIP R 6.8K J 1/10W	
R821		RK73GB2A000J	CHIP R 0.0 J 1/10W		R885		RK73GB2A391J	CHIP R 390 J 1/10W	
R822		RK73GB2A153J	CHIP R 15K J 1/10W		R900		RK73GB2A000J	CHIP R 0.0 J 1/10W	
R823		RK73GB2A153J	CHIP R 15K J 1/10W		R901		RK73GB2A000J	CHIP R 0.0 J 1/10W	
R824		RK73GB2A472J	CHIP R 4.7K J 1/10W		R902		RK73GB2A000J	CHIP R 0.0 J 1/10W	
R825		RK73GB2A101J	CHIP R 100 J 1/10W		R903		RK73GB2A000J	CHIP R 0.0 J 1/10W	
R826		RK73GB2A101J	CHIP R 100 J 1/10W		R904		RK73GB2A000J	CHIP R 0.0 J 1/10W	
R827		RK73GB2A101J	CHIP R 100 J 1/10W		R905		RK73GB2A101J	CHIP R 100 J 1/10W	
R828		RK73GB2A101J	CHIP R 100 J 1/10W		R906		RK73GB2A101J	CHIP R 100 J 1/10W	
R829		RK73GB2A101J	CHIP R 100 J 1/10W		R907		RK73GB2A104J	CHIP R 100K J 1/10W	
R832		RK73GB2A473J	CHIP R 47K J 1/10W		R908		RK73GB2A101J	CHIP R 100 J 1/10W	
R833		RK73GB2A470J	CHIP R 47 J 1/10W		R909		RK73GB2A101J	CHIP R 100 J 1/10W	
R835		RK73GB2A180J	CHIP R 18 J 1/10W		R910		RK73GB2A000J	CHIP R 0.0 J 1/10W	
R836		RK73GB2A104J	CHIP R 100K J 1/10W		R911		RK73GB2A000J	CHIP R 0.0 J 1/10W	
R837		RN73GH1J221D	CHIP R 220 D 1/16W		R912		RK73GB2A000J	CHIP R 0.0 J 1/10W	
R838		RK73GB2A180J	CHIP R 18 J 1/10W		R913		RK73GB2A000J	CHIP R 0.0 J 1/10W	
R839		RK73GB2A180J	CHIP R 18 J 1/10W		R914		RK73GB2A562J	CHIP R 5.6K J 1/10W	
R840		RN73GH1J151D	CHIP R 150 D 1/16W		R915		RK73GB2A223J	CHIP R 22K J 1/10W	
R841		RK73GB2A470J	CHIP R 47 J 1/10W		R916		RK73GB2A333J	CHIP R 33K J 1/10W	
R843		RK73GB2A102J	CHIP R 1.0K J 1/10W		R917		RK73GB2A333J	CHIP R 33K J 1/10W	
R844		RK73GB2A101J	CHIP R 100 J 1/10W		R918		RK73GB2A153J	CHIP R 15K J 1/10W	
R846		RK73GB2A273J	CHIP R 27K J 1/10W		R919		RK73GB2A153J	CHIP R 15K J 1/10W	
R847		RK73GB2A393J	CHIP R 39K J 1/10W		R920		RK73GB2A102J	CHIP R 1.0K J 1/10W	
R849		RK73GB2A102J	CHIP R 1.0K J 1/10W		R921		RK73GB2A105J	CHIP R 1.0M J 1/10W	
R850		RK73GB2A153J	CHIP R 15K J 1/10W		R922		RK73GB2A105J	CHIP R 1.0M J 1/10W	
R851		RK73GB2A153J	CHIP R 15K J 1/10W		R923		RK73GB2A220J	CHIP R 22 J 1/10W	
R852		RK73GB2A101J	CHIP R 100 J 1/10W		R924		RK73GB2A220J	CHIP R 22 J 1/10W	
R853		RK73GB2A331J	CHIP R 330 J 1/10W		R925		RK73GB2A152J	CHIP R 1.5K J 1/10W	
R854		RK73GB2A101J	CHIP R 100 J 1/10W		R926		RK73GB2A472J	CHIP R 4.7K J 1/10W	
R856		RK73GB2A000J	CHIP R 0.0 J 1/10W		R927		RK73GB2A221J	CHIP R 220 J 1/10W	
R858		RK73GB2A000J	CHIP R 0.0 J 1/10W		R928		RK73GB2A101J	CHIP R 100 J 1/10W	
R859		RK73GB2A000J	CHIP R 0.0 J 1/10W		R929		RK73GB2A472J	CHIP R 4.7K J 1/10W	

## PARTS LIST

CONTROL UNIT (XC1-021X-XX)  
DISPLAY UNIT (XC1-0220-00)

Ref.No	Address	Parts No.	Description	Destination	Ref.No	Address	Parts No.	Description	Destination
R930		RK73GB2A221J	CHIP R 220 J 1/10W		C101		CK73GB1H102K	CHIP C 1000PF K	
R931		RK73GH2A123D	CHIP R 12K D 1/10W		C102		CK73FBOJ106K	CHIP C 10UF K	
R932		RK73GB2A153J	CHIP R 15K J 1/10W		C103		CK73GB1H102K	CHIP C 1000PF K	
R934		RK73GB2A105J	CHIP R 1.0M J 1/10W		C104		CK73FBOJ106K	CHIP C 10UF K	
R935		RK73GB2A000J	CHIP R 0.0 J 1/10W		C105		CK73GB1H104K	CHIP C 0.10UF K	
R937		RK73GB2A472J	CHIP R 4.7K J 1/10W		C106		CK73GB1H104K	CHIP C 0.10UF K	
R939		RK73GB2A221J	CHIP R 220 J 1/10W		C107		CK73GB1H103K	CHIP C 0.010UF K	
R941		RK73GB2A473J	CHIP R 47K J 1/10W		C108		CK73GB1H471K	CHIP C 470PF K	
R943		RK73GB2A473J	CHIP R 47K J 1/10W		C109		CK73GB1H102K	CHIP C 1000PF K	
R946		RK73GB2A473J	CHIP R 47K J 1/10W		C110		CK73GB1H104K	CHIP C 0.10UF K	
R947		RK73GB2A104J	CHIP R 100K J 1/10W		C111		CK73GB1H104K	CHIP C 0.10UF K	
R950		RK73GB2A104J	CHIP R 100K J 1/10W		C112		CK73GB1H104K	CHIP C 0.10UF K	
R951		RK73GB2A104J	CHIP R 100K J 1/10W		C113		CK73GB1H102K	CHIP C 1000PF K	
R952		RK73GB2A473J	CHIP R 47K J 1/10W		C114		CK73GB1H104K	CHIP C 0.10UF K	
R953		RK73GB2A103J	CHIP R 10K J 1/10W		C115		C93-0912-05	CHIP C 100UF M	
R957		RK73GB2A472J	CHIP R 4.7K J 1/10W		C116		CK73GB1H102K	CHIP C 1000PF K	
R958		RK73GB2A000J	CHIP R 0.0 J 1/10W		C117		CC73GCH1H030B	CHIP C 3.0PF B	
R959		RK73GB2A000J	CHIP R 0.0 J 1/10W		C118		CC73GCH1H030B	CHIP C 3.0PF B	
R960		RK73GB2A101J	CHIP R 100 J 1/10W		C119		CK73GB1H104K	CHIP C 0.10UF K	
R961		RK73GB2A101J	CHIP R 100 J 1/10W		C120		CK73GB1H104K	CHIP C 0.10UF K	
R962		RK73GB2A101J	CHIP R 100 J 1/10W		C121		CK73GB1H104K	CHIP C 0.10UF K	
R963		RK73GB2A101J	CHIP R 100 J 1/10W		C122		CK73GB1H102K	CHIP C 1000PF K	
R968		R92-1061-05	JUMPER REST 0 OHM	E	C123		CK73GB1H102K	CHIP C 1000PF K	
R970		RK73GB2A000J	CHIP R 0.0 J 1/10W		C124		CK73GB1H102K	CHIP C 1000PF K	
R971		RK73GB2A000J	CHIP R 0.0 J 1/10W		C125		CK73GB1A105K	CHIP C 1.0UF K	
R972		RK73GB2A000J	CHIP R 0.0 J 1/10W		C126		CK73GB1H102K	CHIP C 1000PF K	
R980		RK73GB2A472J	CHIP R 4.7K J 1/10W		C127		CK73GB1H102K	CHIP C 1000PF K	
R981		RK73GB2A221J	CHIP R 220 J 1/10W		C128		CK73GB1A105K	CHIP C 1.0UF K	
R986		RK73GB2A472J	CHIP R 4.7K J 1/10W		C129		CK73GB1H102K	CHIP C 1000PF K	
R987		RK73GB2A221J	CHIP R 220 J 1/10W		C130		CK73GB1H102K	CHIP C 1000PF K	
R993		RK73GB2A000J	CHIP R 0.0 J 1/10W	K	C131		CK73GB1H102K	CHIP C 1000PF K	
R994		RK73GB2A000J	CHIP R 0.0 J 1/10W	E	C132		CK73GB1H102K	CHIP C 1000PF K	
TC501		C05-0384-05	CERAMIC TRIMMER CAPACITOR(10P)		C133		CK73GB1H102K	CHIP C 1000PF K	
TC801		C05-0384-05	CERAMIC TRIMMER CAPACITOR(10P)		C134		CK73GB1H102K	CHIP C 1000PF K	
W504		E37-1498-05	LEAD WIRE WITH CONNECTOR		C135		CK73GB1H102K	CHIP C 1000PF K	
X301		L77-3054-05	CRYSTAL RESONATOR(24.576MHZ)		C136		CK73GB1H102K	CHIP C 1000PF K	
X302		L77-3069-05	CRYSTAL RESONATOR(11.0592MHZ)		C137		CK73GB1A105K	CHIP C 1.0UF K	
X502		L77-1906-05	CRYSTAL RESONATOR(15.6MHZ)		C138		CK73GB1H102K	CHIP C 1000PF K	
X901		L77-3053-05	CRYSTAL RESONATOR(12MHZ)		C139		CK73GB1H102K	CHIP C 1000PF K	
X902		L77-3052-05	CRYSTAL RESONATOR(24MHZ)		C140		CK73GB1H102K	CHIP C 1000PF K	
					C141		CK73GB1H102K	CHIP C 1000PF K	
					C142		CK73GB1H102K	CHIP C 1000PF K	
					C143		CK73GB1H102K	CHIP C 1000PF K	
					C144		CK73GB1H102K	CHIP C 1000PF K	
					C145		CK73GB1H102K	CHIP C 1000PF K	
					C146		CK73GB1H102K	CHIP C 1000PF K	
					C147		CK73GB1H102K	CHIP C 1000PF K	
					C148		CK73GB1H102K	CHIP C 1000PF K	
					C149		CK73GB1H102K	CHIP C 1000PF K	
					C150		CK73GB1H102K	CHIP C 1000PF K	
					C151		CE32BM1C101M	CHIP EL 100UF 16WV	
					C152		CE32BM1C101M	CHIP EL 100UF 16WV	
					C153		CE32BM1C101M	CHIP EL 100UF 16WV	
					C154		C93-0912-05	CHIP C 100UF M	
					C155		C93-0912-05	CHIP C 100UF M	

Ref.No	Address	Parts No.	Description	Destination
<b>DISPLAY UNIT (XC1-0220-00)</b>				
301	1E	B11-1878-12	ILLUMINATION GUIDE	
302	1E	B11-1882-03	FILTER	
308	1E	B1B-0022-00	REFLECTION SHEET	
303	1E	B38-0934-05	LCD	
304	2F	E23-1176-14	EARTH LUG	
305	1E	E29-1230-14	INTER CONNECTOR	
306	2F	E37-1511-05	PROCESSED LEAD WIRE	
307	1E	J21-8620-23	MOUNTING HARDWARE	

## PARTS LIST

### DISPLAY UNIT (XC1-0220-00)

Ref.No	Address	Parts No.	Description	Desti- nation	Ref.No	Address	Parts No.	Description	Desti- nation
C157		CK73GB1H222K	CHIP C	2200PF K	D116		DA2S101	DIODE	
C159		CK73GB1H222K	CHIP C	2200PF K	D117		DA2S101	DIODE	
C161		CK73GB1H222K	CHIP C	2200PF K	D118		DA2S101	DIODE	
C163		CK73GB1H222K	CHIP C	2200PF K	D119		DA2S101	DIODE	
C164		CK73GB1H103K	CHIP C	0.010UF K	D120		DA2S101	DIODE	
C169		CK73GB1H223K	CHIP C	0.022UF K	D121		DA2S101	DIODE	
C171		CK73GB1H223K	CHIP C	0.022UF K	D122		DA2S101	DIODE	
C172		CK73GB1H102K	CHIP C	1000PF K	D123		B3A-0012-00	LED(GREEN)	
C950		CK73GB1H103K	CHIP C	0.010UF K	D124		B3A-0012-00	LED(GREEN)	
C951		CK73GB1H103K	CHIP C	0.010UF K	D125		B3A-0012-00	LED(GREEN)	
C952		CK73FB1C105K	CHIP C	1.0UF K	D126		B3A-0012-00	LED(GREEN)	
C953		CK73FB1C105K	CHIP C	1.0UF K	D127		B3A-0012-00	LED(GREEN)	
C954		CK73FB1C105K	CHIP C	1.0UF K	D128		B3A-0012-00	LED(GREEN)	
C955		CK73FB1C105K	CHIP C	1.0UF K	D129		B3A-0012-00	LED(GREEN)	
C956		CK73GB1H103K	CHIP C	0.010UF K	D130		B3A-0012-00	LED(GREEN)	
C957		CK73GB1H103K	CHIP C	0.010UF K	D131		B3A-0012-00	LED(GREEN)	
C958		CK73GB1H103K	CHIP C	0.010UF K	D132		B3A-0012-00	LED(GREEN)	
C959		CK73GB1H103K	CHIP C	0.010UF K	D133		B3A-0012-00	LED(GREEN)	
C973		CK73GB1A474K	CHIP C	0.47UF K	D134		B3A-0012-00	LED(GREEN)	
C973		CK73GB1A474K	CHIP C	0.47UF K	D135		B3A-0012-00	LED(GREEN)	
CN101		E40-6727-05	FLAT CABLE CONNECTOR		D136		B3A-0012-00	LED(GREEN)	
CN102		E40-6527-05	PIN ASSY		D137		B3A-0012-00	LED(GREEN)	
CN103		E41-1684-05	PIN ASSY		D138		B3A-0012-00	LED(GREEN)	
CN104		E41-1775-05	PIN ASSY		D139		B3A-0012-00	LED(GREEN)	
CN105		E40-6765-05	PIN ASSY		D140		B3A-0012-00	LED(GREEN)	
CN106		E40-6708-05	PIN ASSY		D141		B3A-0012-00	LED(GREEN)	
CN107		E40-6879-05	FLAT CABLE CONNECTOR		D142		B3A-0012-00	LED(GREEN)	
CN951		E41-1687-05	PIN ASSY		D143		B3A-0012-00	LED(GREEN)	
CN953		E40-6766-05	PIN ASSY		D144		B3A-0012-00	LED(GREEN)	
CN964		E41-1701-05	PIN ASSY		D145		B3A-0012-00	LED(GREEN)	
CN965		E41-1775-05	PIN ASSY		D146		B3A-0012-00	LED(GREEN)	
CN966		E40-6710-05	PIN ASSY		D147		B3A-0012-00	LED(GREEN)	
CP101		RK74GB1J102J	CHIP-COM	1.0K J 1/16W	D148		B3A-0012-00	LED(GREEN)	
CP102		RK74GB1J102J	CHIP-COM	1.0K J 1/16W	D149		B3A-0012-00	LED(GREEN)	
CP103		RK74GB1J103J	CHIP-COM	10K J 1/16W	D150		B3A-0012-00	LED(GREEN)	
CP104		RK74GB1J103J	CHIP-COM	10K J 1/16W	D151		B3A-0012-00	LED(GREEN)	
CP105		RK74GB1J473J	CHIP-COM	47K J 1/16W	D152		B3A-0012-00	LED(GREEN)	
CP106		RK74GB1J101J	CHIP-COM	100 J 1/16W	D153		B3A-0012-00	LED(GREEN)	
CP107		RK74GB1J473J	CHIP-COM	47K J 1/16W	D154		B3A-0012-00	LED(GREEN)	
D101		B3A-0012-00	LED(GREEN)		D155		B3A-0012-00	LED(GREEN)	
D102		B3A-0012-00	LED(GREEN)		D156		B3A-0012-00	LED(GREEN)	
D103		B3A-0012-00	LED(GREEN)		D157		B3A-0012-00	LED(GREEN)	
D104		B3A-0012-00	LED(GREEN)		D158		B3A-0012-00	LED(GREEN)	
D105		B3A-0012-00	LED(GREEN)		D159		B3A-0012-00	LED(GREEN)	
D106		B3A-0012-00	LED(GREEN)		D160		B3A-0012-00	LED(GREEN)	
D107		B3A-0012-00	LED(GREEN)		D161		B3A-0013-00	LED(AMBER)	
D108		B3A-0012-00	LED(GREEN)		D162		B3A-0013-00	LED(AMBER)	
D109		B3A-0012-00	LED(GREEN)		D163		B3A-0013-00	LED(AMBER)	
D110		B3A-0012-00	LED(GREEN)		D164		B3A-0013-00	LED(AMBER)	
D111		B3A-0012-00	LED(GREEN)		D165		B3A-0013-00	LED(AMBER)	
D112		B3A-0012-00	LED(GREEN)		D166		B3A-0013-00	LED(AMBER)	
D113		B3A-0012-00	LED(GREEN)		D167		B3A-0013-00	LED(AMBER)	
D114		B3A-0012-00	LED(GREEN)		D168		B3A-0013-00	LED(AMBER)	
D115		B3A-0012-00	LED(GREEN)		D169		B3A-0013-00	LED(AMBER)	
					D170		B3A-0013-00	LED(AMBER)	

## PARTS LIST

DISPLAY UNIT (XC1-0220-00)

Ref.No	Address	Parts No.	Description	Destination	Ref.No	Address	Parts No.	Description	Destination
D171		B3A-0013-00	LED(AMBER)		IC106		HD74LV2G34AUS	MOS-IC	
D172		B3A-0013-00	LED(AMBER)		J950		E06-0858-25	RF COAXIAL RECEPTADLE(ROUND)	
D173		B3A-0013-00	LED(AMBER)		J951		E11-0705-15	PHONE JACK (9P)	
D174		B3A-0013-00	LED(AMBER)		L101		L92-0639-05	CHIP FERRITE	
D175		B3A-0013-00	LED(AMBER)		L102		L92-0639-05	CHIP FERRITE	
D176		B3A-0013-00	LED(AMBER)		L103		L92-0639-05	CHIP FERRITE	
D177		B3A-0013-00	LED(AMBER)		L104		L92-0639-05	CHIP FERRITE	
D178		B3A-0013-00	LED(AMBER)		L105		L92-0639-05	CHIP FERRITE	
D179		B3A-0013-00	LED(AMBER)		L106		L33-1556-05	CHOKE COIL	
D180		B3A-0013-00	LED(AMBER)		L107		L33-1554-05	CHOKE COIL	
D181		B3A-0013-00	LED(AMBER)		L108		L33-1554-05	CHOKE COIL	
D182		B3A-0013-00	LED(AMBER)		L109		L92-0639-05	CHIP FERRITE	
D183		B3A-0013-00	LED(AMBER)		L901		L92-0639-05	CHIP FERRITE	
D184		B3A-0013-00	LED(AMBER)		L902		L92-0639-05	CHIP FERRITE	
D185		B3A-0013-00	LED(AMBER)		L903		L92-0639-05	CHIP FERRITE	
D186		B3A-0013-00	LED(AMBER)		Q101		2SD2114K(W)	TRANSISTOR	
D187		B3A-0013-00	LED(AMBER)		Q102		RE1C001ZP	FET	
D188		B3A-0013-00	LED(AMBER)		Q103		2SD2114K(W)	TRANSISTOR	
D189		B3A-0013-00	LED(AMBER)		Q104		2SD2114K(W)	TRANSISTOR	
D190		B3A-0013-00	LED(AMBER)		Q105		2SD2114K(W)	TRANSISTOR	
D191		B3A-0013-00	LED(AMBER)		Q106		LTC024EEBFS8	TRANSISTOR	
D192		B3A-0013-00	LED(AMBER)		Q107		RU1C002UN	FET	
D193		B3A-0013-00	LED(AMBER)		Q108		LTC014EEBFS8	DIGITAL TRANSISTOR	
D194		B3A-0013-00	LED(AMBER)		Q109		LTC024EEBFS8	TRANSISTOR	
D195		B3A-0013-00	LED(AMBER)		R101		RK73GB2A472J	CHIP R	4.7K J 1/10W
D196		B3A-0013-00	LED(AMBER)		R102		RK73GB2A472J	CHIP R	4.7K J 1/10W
D197		B3A-0013-00	LED(AMBER)		R103		RK73GB2A473J	CHIP R	47K J 1/10W
D198		B3A-0013-00	LED(AMBER)		R104		RK73GB2A472J	CHIP R	4.7K J 1/10W
D199		B3A-0013-00	LED(AMBER)		R105		RK73GB2A103J	CHIP R	10K J 1/10W
D200		B3A-0013-00	LED(AMBER)		R106		RK73GB2A680J	CHIP R	68 J 1/10W
D201		B3A-0013-00	LED(AMBER)		R107		RK73GB2A680J	CHIP R	68 J 1/10W
D202		B3A-0013-00	LED(AMBER)		R108		RK73GB2A680J	CHIP R	68 J 1/10W
D203		B3A-0013-00	LED(AMBER)		R109		RK73GB2A103J	CHIP R	10K J 1/10W
D204		B3A-0013-00	LED(AMBER)		R110		RK73GB2A680J	CHIP R	68 J 1/10W
D205		B3A-0013-00	LED(AMBER)		R111		RK73GB2A680J	CHIP R	68 J 1/10W
D206		B3A-0013-00	LED(AMBER)		R112		RK73GB2A000J	CHIP R	0.0 J 1/10W
D207		B3A-0013-00	LED(AMBER)		R113		RK73GB2A680J	CHIP R	68 J 1/10W
D208		B3A-0013-00	LED(AMBER)		R114		RK73GB2A680J	CHIP R	68 J 1/10W
D209		B3A-0013-00	LED(AMBER)		R115		RK73GB2A680J	CHIP R	68 J 1/10W
D210		B3A-0013-00	LED(AMBER)		R116		RK73GB2A680J	CHIP R	68 J 1/10W
D211		B3A-0013-00	LED(AMBER)		R117		RK73GB2A680J	CHIP R	68 J 1/10W
D212		B3A-0013-00	LED(AMBER)		R118		RK73GB2A680J	CHIP R	68 J 1/10W
D213		B3A-0013-00	LED(AMBER)		R119		RK73GB2A680J	CHIP R	68 J 1/10W
D214		B30-2167-05	LED(GR)		R120		RK73GB2A473J	CHIP R	47K J 1/10W
D215		B30-2168-05	LED(R)		R121		RK73GB2A103J	CHIP R	10K J 1/10W
D216		B3A-0012-00	LED(GREEN)		R122		RK73GB2A680J	CHIP R	68 J 1/10W
D217		B3A-0013-00	LED(AMBER)		R123		RK73GB2A680J	CHIP R	68 J 1/10W
D218		RB531SM-30	DIODE		R124		RK73GB2A000J	CHIP R	0.0 J 1/10W
D961		B30-2146-05	LED(AMBER)		R125		RK73GB2A680J	CHIP R	68 J 1/10W
IC101		LC7589PW	MOS-IC		R126		RK73GB2A473J	CHIP R	47K J 1/10W
IC102		TC7W125FU-F	MOS-IC		R127		RK73GB2A472J	CHIP R	4.7K J 1/10W
IC103		F364AEDFBKFTA	MICROCONTROLLER IC		R128		RK73GB2A680J	CHIP R	68 J 1/10W
IC104		TC7W125FU-F	MOS-IC		R129		RK73GB2A221J	CHIP R	220 J 1/10W
IC105		HD74LV2G34AUS	MOS-IC						

## PARTS LIST

### DISPLAY UNIT (XC1-0220-00)

Ref.No	Address	Parts No.	Description	Desti-nation	Ref.No	Address	Parts No.	Description	Desti-nation
R130		RK73GB2A473J	CHIP R 47K J 1/10W		R186		RK73GB2A562J	CHIP R 5.6K J 1/10W	
R131		RK73GB2A680J	CHIP R 68 J 1/10W		R187		RK73GB2A101J	CHIP R 100 J 1/10W	
R132		RK73GB2A680J	CHIP R 68 J 1/10W		R188		RK73GB2A101J	CHIP R 100 J 1/10W	
R133		RK73GB2A473J	CHIP R 47K J 1/10W		R189		RK73GB2A101J	CHIP R 100 J 1/10W	
R134		RK73GB2A473J	CHIP R 47K J 1/10W		R190		RK73GB2A101J	CHIP R 100 J 1/10W	
R135		RK73GB2A473J	CHIP R 47K J 1/10W		R191		RK73GB2A562J	CHIP R 5.6K J 1/10W	
R136		RK73GB2A102J	CHIP R 1.0K J 1/10W		R192		RK73GB2A562J	CHIP R 5.6K J 1/10W	
R137		RK73GB2A473J	CHIP R 47K J 1/10W		R193		RK73GB2A101J	CHIP R 100 J 1/10W	
R138		RK73GB2A000J	CHIP R 0.0 J 1/10W		R194		RK73GB2A101J	CHIP R 100 J 1/10W	
R139		RK73GB2A473J	CHIP R 47K J 1/10W		R195		RK73GB2A101J	CHIP R 100 J 1/10W	
R140		RK73GB2A473J	CHIP R 47K J 1/10W		R196		RK73GB2A101J	CHIP R 100 J 1/10W	
R141		RK73GB2A473J	CHIP R 47K J 1/10W		R197		RK73GB2A101J	CHIP R 100 J 1/10W	
R142		RK73GB2A121J	CHIP R 120 J 1/10W		R198		RK73GB2A101J	CHIP R 100 J 1/10W	
R143		RK73GB2A000J	CHIP R 0.0 J 1/10W		R199		RK73GB2A101J	CHIP R 100 J 1/10W	
R144		RK73GB2A121J	CHIP R 120 J 1/10W		R200		RK73GB2A101J	CHIP R 100 J 1/10W	
R145		RK73GB2A121J	CHIP R 120 J 1/10W		R201		RK73GB2A101J	CHIP R 100 J 1/10W	
R146		RK73GB2A103J	CHIP R 10K J 1/10W		R202		RK73GB2A101J	CHIP R 100 J 1/10W	
R147		RK73GB2A121J	CHIP R 120 J 1/10W		R203		RK73GB2A101J	CHIP R 100 J 1/10W	
R148		RK73GB2A121J	CHIP R 120 J 1/10W		R204		RK73GB2A101J	CHIP R 100 J 1/10W	
R149		RK73GB2A000J	CHIP R 0.0 J 1/10W		R205		RK73GB2A101J	CHIP R 100 J 1/10W	
R150		RK73GB2A121J	CHIP R 120 J 1/10W		R206		RK73GB2A101J	CHIP R 100 J 1/10W	
R151		RK73GB2A121J	CHIP R 120 J 1/10W		R207		RK73GB2A101J	CHIP R 100 J 1/10W	
R152		RK73GB2A121J	CHIP R 120 J 1/10W		R208		RK73GB2A101J	CHIP R 100 J 1/10W	
R153		RK73GB2A121J	CHIP R 120 J 1/10W		R209		RK73GB2A101J	CHIP R 100 J 1/10W	
R154		RK73GB2A473J	CHIP R 47K J 1/10W		R210		RK73GB2A470J	CHIP R 47 J 1/10W	
R155		RK73GB2A473J	CHIP R 47K J 1/10W		R211		RK73GB2A470J	CHIP R 47 J 1/10W	
R157		RK73GB2A473J	CHIP R 47K J 1/10W		R212		RK73GB2A101J	CHIP R 100 J 1/10W	
R158		RK73GB2A473J	CHIP R 47K J 1/10W		R213		RK73GB2A101J	CHIP R 100 J 1/10W	
R159		RK73GB2A473J	CHIP R 47K J 1/10W		R214		RK73GB2A101J	CHIP R 100 J 1/10W	
R160		RK73GB2A105J	CHIP R 1.0M J 1/10W		R215		RK73GB2A101J	CHIP R 100 J 1/10W	
R161		RK73GB2A154J	CHIP R 150K J 1/10W		R216		RK73GB2A121J	CHIP R 120 J 1/10W	
R162		RK73GB2A102J	CHIP R 1.0K J 1/10W		R217		RK73GB2A000J	CHIP R 0.0 J 1/10W	
R163		RK73GB2A102J	CHIP R 1.0K J 1/10W		R218		RK73GB2A102J	CHIP R 1.0K J 1/10W	
R164		RK73GB2A121J	CHIP R 120 J 1/10W		R219		RK73GB2A102J	CHIP R 1.0K J 1/10W	
R165		RK73GB2A121J	CHIP R 120 J 1/10W		R220		RK73GB2A102J	CHIP R 1.0K J 1/10W	
R166		RK73GB2A121J	CHIP R 120 J 1/10W		R221		RK73GB2A102J	CHIP R 1.0K J 1/10W	
R167		RK73GB2A103J	CHIP R 10K J 1/10W		R222		RK73GB2A473J	CHIP R 47K J 1/10W	
R168		RK73GB2A121J	CHIP R 120 J 1/10W		R223		RK73GB2A101J	CHIP R 100 J 1/10W	
R169		RK73GB2A121J	CHIP R 120 J 1/10W		R224		RK73GB2A101J	CHIP R 100 J 1/10W	
R170		RK73GB2A000J	CHIP R 0.0 J 1/10W		R225		RK73GB2A000J	CHIP R 0.0 J 1/10W	
R171		RK73GB2A105J	CHIP R 1.0M J 1/10W		R952		RK73FB2B470J	CHIP R 47 J 1/8W	
R172		RK73GB2A121J	CHIP R 120 J 1/10W		R953		RK73FB2B470J	CHIP R 47 J 1/8W	
R173		RK73GB2A473J	CHIP R 47K J 1/10W		R954		RK73FB2B470J	CHIP R 47 J 1/8W	
R174		RK73GB2A000J	CHIP R 0.0 J 1/10W		R955		RK73FB2B470J	CHIP R 47 J 1/8W	
R175		RK73GB2A121J	CHIP R 120 J 1/10W		R975		R92-1205-05	CHIP R 120 J 1/4W	
R176		RK73GB2A121J	CHIP R 120 J 1/10W		R977		R92-1205-05	CHIP R 120 J 1/4W	
R177		RK73GB2A121J	CHIP R 120 J 1/10W		R978		RK73FB2B180J	CHIP R 18 J 1/10W	
R178		RK73GB2A102J	CHIP R 1.0K J 1/10W		R979		RK73FB2B180J	CHIP R 18 J 1/10W	
R179		RK73GB2A561J	CHIP R 560 J 1/10W		S101		S70-0475-15	TACT SWITCH	
R180		RK73GB2A561J	CHIP R 560 J 1/10W		S102		S70-0475-15	TACT SWITCH	
R181		RK73GB2A101J	CHIP R 100 J 1/10W		S103		S70-0475-15	TACT SWITCH	
R182		RK73GB2A101J	CHIP R 100 J 1/10W		S104		S70-0475-15	TACT SWITCH	
R183		RK73GB2A101J	CHIP R 100 J 1/10W		S105		S70-0475-15	TACT SWITCH	
R184		RK73GB2A101J	CHIP R 100 J 1/10W						
R185		RK73GB2A562J	CHIP R 5.6K J 1/10W						

## PARTS LIST

DISPLAY UNIT (XC1-0220-00)  
TX-RX-UNIT (XC1-024X-XX)

Ref.No	Address	Parts No.	Description	Destination
S106		S70-0475-15	TACT SWITCH	
S107		S70-0475-15	TACT SWITCH	
S108		S70-0475-15	TACT SWITCH	
S109		S70-0475-15	TACT SWITCH	
S110		S70-0475-15	TACT SWITCH	
S111		S70-0475-15	TACT SWITCH	
S112		S70-0475-15	TACT SWITCH	
S113		S70-0475-15	TACT SWITCH	
S114		S70-0475-15	TACT SWITCH	
S115		S70-0475-15	TACT SWITCH	
S116		S70-0475-15	TACT SWITCH	
S117		S70-0475-15	TACT SWITCH	
S118		S70-0475-15	TACT SWITCH	
S119		S70-0475-15	TACT SWITCH	
S120		S70-0475-15	TACT SWITCH	
S121		S70-0475-15	TACT SWITCH	
S122		S70-0475-15	TACT SWITCH	
S123		S70-0475-15	TACT SWITCH	
S124		S70-0475-15	TACT SWITCH	
S125		S70-0475-15	TACT SWITCH	
S126		S70-0475-15	TACT SWITCH	
S127		S70-0475-15	TACT SWITCH	
S128		S70-0475-15	TACT SWITCH	
S129		S70-0475-15	TACT SWITCH	
S130		S70-0475-15	TACT SWITCH	
S131		S70-0475-15	TACT SWITCH	
S132		S70-0475-15	TACT SWITCH	
S133		S70-0475-15	TACT SWITCH	
S134		S70-0475-15	TACT SWITCH	
S135		S70-0475-15	TACT SWITCH	
S136		S70-0475-15	TACT SWITCH	
S137		S70-0475-15	TACT SWITCH	
S138		S70-0475-15	TACT SWITCH	
S139		S70-0475-15	TACT SWITCH	
S140		S70-0475-15	TACT SWITCH	
S141		S70-0475-15	TACT SWITCH	
S142		S70-0475-15	TACT SWITCH	
S143		S70-0475-15	TACT SWITCH	
S144		S70-0475-15	TACT SWITCH	
S145		S70-0475-15	TACT SWITCH	
S146		S70-0475-15	TACT SWITCH	
S147		S70-0475-15	TACT SWITCH	
S148		S70-0475-15	TACT SWITCH	
S149		S70-0475-15	TACT SWITCH	
S150		S70-0475-15	TACT SWITCH	
S151		S70-0475-15	TACT SWITCH	
S152		S70-0475-15	TACT SWITCH	
S153		S70-0475-15	TACT SWITCH	
S154		S70-0475-15	TACT SWITCH	
S155		S70-0475-15	TACT SWITCH	
S156		S70-0475-15	TACT SWITCH	
S952	2F	T9K-0006-00	ROTARY ENCODER	
S953	1F	W02-3737-05	ENCODER	
VR953	1F	R31-0677-15	VARIABLE RESISTOR	

Ref.No	Address	Parts No.	Description	Destination
VR954	1F	R31-0677-15	VARIABLE RESISTOR	
X101		L77-3069-05	CRYSTAL RESONATOR(11.0592MHZ)	
Ref.No	Address	Parts No.	Description	Destination
TX-RX UNIT (XC1-024X-XX)				
C10		CK73GB1E105K	CHIP C	1.0UF K
C11		CK73GB1E105K	CHIP C	1.0UF K
C12		CK73GB1H102K	CHIP C	1000PF K
C13		CC73GCH1H271J	CHIP C	270PF J
C14		CC73GCH1H271J	CHIP C	270PF J
C15		CK73GB1H103K	CHIP C	0.010UF K
C17		CK73GB1H103K	CHIP C	0.010UF K
C19		CK73GB1H103K	CHIP C	0.010UF K
C21		CK73GB1H103K	CHIP C	0.010UF K
C23		CK73GB1H103K	CHIP C	0.010UF K
C25		CK73GB1H103K	CHIP C	0.010UF K
C27		CK73GB1H103K	CHIP C	0.010UF K
C39		CK73GB1H103K	CHIP C	0.010UF K
C40		CK73GB1H103K	CHIP C	0.010UF K
C42		CK73GB1H104K	CHIP C	0.10UF K
C43		CK73GB1H104K	CHIP C	0.10UF K
C49		CK73GB1H104K	CHIP C	0.10UF K
C50		CK73GB1H104K	CHIP C	0.10UF K
C52		CD04AZ1V101M	ELECTRO	100UF 35WV
C54		CK73FB1E475K	CHIP C	4.7UF K
C56		CK73GB1E105K	CHIP C	1.0UF K
C57		CK73FB1E475K	CHIP C	4.7UF K
C58		CK73FB1H102K	CHIP C	1000PF K
C59		CK73GB1H103K	CHIP C	0.010UF K
C60		CK73GB1H102K	CHIP C	1000PF K
C61		CK73FB1H102K	CHIP C	1000PF K
C62		CK73FB1H102K	CHIP C	1000PF K
C63		CK73GB1H102K	CHIP C	1000PF K
C64		CK73GB1H103K	CHIP C	0.010UF K
C65		CK73GB1H103K	CHIP C	0.010UF K
C66		CK73GB1H104K	CHIP C	0.10UF K
C67		CK73GB1H104K	CHIP C	0.10UF K
C68		CK73GB1H104K	CHIP C	0.10UF K
C69		CK73GB1H104K	CHIP C	0.10UF K
C70		CK73GB1H104K	CHIP C	0.10UF K
C71		CK73GB1H104K	CHIP C	0.10UF K
C72		CK73GB1H104K	CHIP C	0.10UF K
C73		CK73GB1H104K	CHIP C	0.10UF K
C74		CK73GB1H104K	CHIP C	0.10UF K
C75		CK73GB1H104K	CHIP C	0.10UF K
C76		CK73GB1H104K	CHIP C	0.10UF K
C77		CK73GB1H104K	CHIP C	0.10UF K
C78		CK73GB1H104K	CHIP C	0.10UF K
C79		CK45FE3A222Z	CERAMIC	2200PF Z
C80		CK73FB1H103K	CHIP C	0.010UF K
C81		CK73FB1H102K	CHIP C	1000PF K
C82		CK73FB1H102K	CHIP C	1000PF K
C83		CK73FB1H102K	CHIP C	1000PF K
C84		CK73GB1H103K	CHIP C	0.010UF K

## PARTS LIST

### TX-RX-UNIT (XC1-024X-XX)

Ref.No	Address	Parts No.	Description	Destination	Ref.No	Address	Parts No.	Description	Destination
C85		CK73GB1H102K	CHIP C 1000PF K		C154		CK73GB1H104K	CHIP C 0.10UF K	
C86		CK73GB1H102K	CHIP C 1000PF K		C155		CC73GCH1H102J	CHIP C 1000PF J	
C87		CK73GB1H102K	CHIP C 1000PF K		C156		CC73GCH1H102J	CHIP C 1000PF J	
C88		CK73GB1H102K	CHIP C 1000PF K		C157		CC73GCH1H120J	CHIP C 12PF J	
C97		CK73GB1E105K	CHIP C 1.0UF K		C158		CC73GCH1H040C	CHIP C 4.0PF C	
C98		CK73GB1H102K	CHIP C 1000PF K		C159		CK73GB1E105K	CHIP C 1.0UF K	
C101		CK73GB1H103K	CHIP C 0.010UF K		C160		CC73GCH1H102J	CHIP C 1000PF J	
C102		CK73GB1H103K	CHIP C 0.010UF K		C161		CC73GCH1H102J	CHIP C 1000PF J	
C103		CK73GB1H103K	CHIP C 0.010UF K		C162		CC73GCH1H102J	CHIP C 1000PF J	
C104		CK73GB1H103K	CHIP C 0.010UF K		C163		CC73GCH1H102J	CHIP C 1000PF J	
C106		CD04AZ1E471M	ELECTRO 470UF 25WV		C164		CC73GCH1H102J	CHIP C 1000PF J	
C107		CC73GCH1H560J	CHIP C 56PF J		C165		CC73GCH1H102J	CHIP C 1000PF J	
C108		CK73GB1H102K	CHIP C 1000PF K		C166		CC73GCH1H102J	CHIP C 1000PF J	
C109		CC73GCH1H090D	CHIP C 9.0PF D		C167		CK73GB1H104K	CHIP C 0.10UF K	
C110		CC73GCH1H560J	CHIP C 56PF J		C168		CK73GB1H104K	CHIP C 0.10UF K	
C111		CK73GB1H104K	CHIP C 0.10UF K		C169		CK73GB1H103K	CHIP C 0.010UF K	
C112		CK73EB1H104K	CHIP C 0.10UF K		C170		CK73GB1H153K	CHIP C 0.015UF K	
C113		CK73GB1H102K	CHIP C 1000PF K		C171		CK73GB1E105K	CHIP C 1.0UF K	
C114		CK73EB1H104K	CHIP C 0.10UF K		C172		CC73GCH1H040C	CHIP C 4.0PF C	
C115		CK73GB1H103K	CHIP C 0.010UF K		C173		CC73GCH1H122J	CHIP C 1200PF J	
C116		CK73GB1H103K	CHIP C 0.010UF K		C174		CC73GCH1H561J	CHIP C 560PF J	
C117		CK73GB1H103K	CHIP C 0.010UF K		C175		CC73GCH1H471J	CHIP C 470PF J	
C118		CK73GB1H103K	CHIP C 0.010UF K		C176		CC73GCH1H151J	CHIP C 150PF J	
C119		CK73GB1E105K	CHIP C 1.0UF K		C177		CC73GCH1H101J	CHIP C 100PF J	
C120		CK73GB1H104K	CHIP C 0.10UF K		C178		CC73GCH1H680J	CHIP C 68PF J	
C121		CC73GCH1H152J	CHIP C 1500PF J		C179		CC73GCH1H330J	CHIP C 33PF J	
C122		CC73FCH1H472J	CHIP C 4700PF J		C180		CC73GCH1H560J	CHIP C 56PF J	
C123		CC73GCH1H152J	CHIP C 1500PF J		C181		CC73GCH1H102J	CHIP C 1000PF J	
C127		CC73GCH1H150J	CHIP C 15PF J		C182		CC73GCH1H120J	CHIP C 12PF J	
C128		CC73GCH1H271J	CHIP C 270PF J		C183		CC73GCH1H102J	CHIP C 1000PF J	
C129		CC73GCH1H271J	CHIP C 270PF J		C184		CC73GCH1H102J	CHIP C 1000PF J	
C130		CC73GCH1H680J	CHIP C 68PF J		C185		CK73GB1E105K	CHIP C 1.0UF K	
C131		CC73GCH1H222J	CHIP C 2200PF J		C186		CC73GCH1H102J	CHIP C 1000PF J	
C132		CC73FCH1H332J	CHIP C 3300PF J		C187		CC73GCH1H102J	CHIP C 1000PF J	
C133		CC73GCH1H221J	CHIP C 220PF J		C188		CC73GCH1H102J	CHIP C 1000PF J	
C134		CK73GB1H104K	CHIP C 0.10UF K		C189		CC73GCH1H102J	CHIP C 1000PF J	
C135		CK73GB1H104K	CHIP C 0.10UF K		C190		CC73GCH1H102J	CHIP C 1000PF J	
C137		CC73GCH1H222J	CHIP C 2200PF J		C191		CK73GB1H102K	CHIP C 1000PF K	
C138		CK73GB1H103K	CHIP C 0.010UF K		C192		CC73GCH1H102J	CHIP C 1000PF J	
C139		CC73FCH1H392J	CHIP C 3900PF J		C193		CC73GCH1H102J	CHIP C 1000PF J	
C140		CK73GB1H104K	CHIP C 0.10UF K		C194		CK73GB1H103K	CHIP C 0.010UF K	
C141		CC73GCH1H222J	CHIP C 2200PF J		C195		CK73GB1H103K	CHIP C 0.010UF K	
C142		CK73GB1H104K	CHIP C 0.10UF K		C196		CK73GB1H104K	CHIP C 0.10UF K	
C143		CC73GCH1H102J	CHIP C 1000PF J		C197		CK73GB1H104K	CHIP C 0.10UF K	
C144		CK73GB1H104K	CHIP C 0.10UF K		C198		CC73GCH1H090D	CHIP C 9.0PF D	
C145		CC73GCH1H102J	CHIP C 1000PF J		C199		CC73FCH1H392J	CHIP C 3900PF J	
C146		CK73GB1H104K	CHIP C 0.10UF K		C200		CK73GB1H104K	CHIP C 0.10UF K	
C147		CC73GCH1H821J	CHIP C 820PF J		C201		CC73GCH1H222J	CHIP C 2200PF J	
C148		CK73GB1H104K	CHIP C 0.10UF K		C202		CK73GB1H104K	CHIP C 0.10UF K	
C149		CC73GCH1H271J	CHIP C 270PF J		C203		CC73GCH1H102J	CHIP C 1000PF J	
C150		CK73GB1H104K	CHIP C 0.10UF K		C204		CK73GB1H104K	CHIP C 0.10UF K	
C151		CC73GCH1H151J	CHIP C 150PF J		C205		CC73GCH1H102J	CHIP C 1000PF J	
C152		CK73GB1H104K	CHIP C 0.10UF K		C206		CK73GB1H104K	CHIP C 0.10UF K	
C153		CC73GCH1H270J	CHIP C 27PF J		C207		CC73GCH1H821J	CHIP C 820PF J	

## PARTS LIST

TX-RX-UNIT (XC1-024X-XX)

Ref.No	Address	Parts No.	Description	Desti-nation	Ref.No	Address	Parts No.	Description	Desti-nation
C208		CK73GB1H104K	CHIP C	0.10UF K	C283		CK73GB1H104K	CHIP C	0.10UF K
C209		CC73GCH1H331J	CHIP C	330PF J	C284		CK73GB1H103K	CHIP C	0.010UF K
C210		CK73GB1H104K	CHIP C	0.10UF K	C286		CK73GB1H472K	CHIP C	4700PF K
C211		CC73GCH1H151J	CHIP C	150PF J	C287		CK73GB1H103K	CHIP C	0.010UF K
C212		CK73GB1H104K	CHIP C	0.10UF K	C288		CK73GB1H104K	CHIP C	0.10UF K
C213		CC73GCH1H680J	CHIP C	68PF J	C289		CK73GB1H472K	CHIP C	4700PF K
C214		CK73GB1H104K	CHIP C	0.10UF K	C290		CK73GB1H104K	CHIP C	0.10UF K
C215		CK73GB1E105K	CHIP C	1.0UF K	C291		CC73GCH1H680J	CHIP C	68PF J
C216		CK73GB1H104K	CHIP C	0.10UF K	C292		CC73GCH1H680J	CHIP C	68PF J
C217		CK73GB1H103K	CHIP C	0.010UF K	C293		CC73GCH1H680J	CHIP C	68PF J
C221		CK73GB1H103K	CHIP C	0.010UF K	C294		CC73GCH1H470J	CHIP C	47PF J
C229		CK73GB1H104K	CHIP C	0.10UF K	C295		CC73GCH1H470J	CHIP C	47PF J
C231		CK73GB1H103K	CHIP C	0.010UF K	C296		CC73GCH1H470J	CHIP C	47PF J
C232		CK73GB1H104K	CHIP C	0.10UF K	C297		CC73GCH1H680J	CHIP C	68PF J
C234		CK73GB1E105K	CHIP C	1.0UF K	C298		CC73GCH1H680J	CHIP C	68PF J
C235		CK73GB1H103K	CHIP C	0.010UF K	C302		CC73GCH1H330J	CHIP C	33PF J
C236		CC73GCH1H101J	CHIP C	100PF J	C303		CC73GCH1H330J	CHIP C	33PF J
C237		CK73GB1H104K	CHIP C	0.10UF K	C305		CC73GCH1H220J	CHIP C	22PF J
C238		CK73GB1H102K	CHIP C	1000PF K	C309		CC73GCH1H100D	CHIP C	10PF D
C239		CK73GB1H472K	CHIP C	4700PF K	C310		CK73GB1H103K	CHIP C	0.010UF K
C240		CK73GB1E105K	CHIP C	1.0UF K	C311		CK73GB1H103K	CHIP C	0.010UF K
C241		CK73GB1H103K	CHIP C	0.010UF K	C312		CK73GB1H103K	CHIP C	0.010UF K
C242		CK73GB1H103K	CHIP C	0.010UF K	C313		CC73GCH1H151J	CHIP C	150PF J
C243		CK73GB1E105K	CHIP C	1.0UF K	C314		CC73GCH1H390J	CHIP C	39PF J
C244		CK73GB1H104K	CHIP C	0.10UF K	C315		CK73GB1H102K	CHIP C	1000PF K
C246		CK73GB1H103K	CHIP C	0.010UF K	C316		CC73GCH1H100D	CHIP C	10PF D
C247		CK73GB1H104K	CHIP C	0.10UF K	C317		CC73GCH1H390J	CHIP C	39PF J
C249		CK73GB1H103K	CHIP C	0.010UF K	C318		CC73GCH1H151J	CHIP C	150PF J
C250		CC73GCH1H470J	CHIP C	47PF J	C319		CK73GB1H103K	CHIP C	0.010UF K
C251		CC73GCH1H560J	CHIP C	56PF J	C320		CK73GB1H103K	CHIP C	0.010UF K
C252		CC73GCH1H560J	CHIP C	56PF J	C321		CC73GCH1H560J	CHIP C	56PF J
C253		CC73GCH1H820J	CHIP C	82PF J	C322		CC73GCH1H330J	CHIP C	33PF J
C254		CC73GCH1H680J	CHIP C	68PF J	C323		CC73GCH1H820J	CHIP C	82PF J
C255		CC73GCH1H330J	CHIP C	33PF J	C324		CC73GCH1H390J	CHIP C	39PF J
C256		CC73GCH1H330J	CHIP C	33PF J	C325		CC73GCH1H270J	CHIP C	27PF J
C257		CC73GCH1H151J	CHIP C	150PF J	C326		CK73GB1H104K	CHIP C	0.10UF K
C258		CC73GCH1H470J	CHIP C	47PF J	C327		CK73GB1H104K	CHIP C	0.10UF K
C259		CC73GCH1H221J	CHIP C	220PF J	C328		CK73GB1H104K	CHIP C	0.10UF K
C260		CC73GCH1H681J	CHIP C	680PF J	C330		CK73GB1H103K	CHIP C	0.010UF K
C261		CK73GB1H104K	CHIP C	0.10UF K	C335		CC73GCH1H020C	CHIP C	2.0PF C
C262		CK73GB1H104K	CHIP C	0.10UF K	C336		CK73GB1H104K	CHIP C	0.10UF K
C263		CK73GB1H104K	CHIP C	0.10UF K	C337		CC73GCH1H471J	CHIP C	470PF J
C265		CK73GB1H103K	CHIP C	0.010UF K	C338		CK73GB1H102K	CHIP C	1000PF K
C266		CK73GB1H102K	CHIP C	1000PF K	C339		CK73GB1H103K	CHIP C	0.010UF K
C268		CK73GB1H104K	CHIP C	0.10UF K	C341		CK73GB1H102K	CHIP C	1000PF K
C269		CE32CL1C100M	CHIP EL	10UF 16WV	C342		CC73GCH1H020C	CHIP C	2.0PF C
C270		CK73GB1H104K	CHIP C	0.10UF K	C343		CC73GCH1H102J	CHIP C	1000PF J
C272		CC73GCH1H471J	CHIP C	470PF J	C344		CC73GCH1H102J	CHIP C	1000PF J
C273		CK73GB1H102K	CHIP C	1000PF K	C350		CC73GCH1H180J	CHIP C	18PF J
C274		CK73GB1H103K	CHIP C	0.010UF K	C351		CK73GB1H103K	CHIP C	0.010UF K
C275		CC73GCH1H561J	CHIP C	560PF J	C352		CK73GB1H104K	CHIP C	0.10UF K
C276		CC73GCH1H151J	CHIP C	150PF J	C353		CK73GB1H104K	CHIP C	0.10UF K
C277		CK73GB1H103K	CHIP C	0.010UF K	C354		CC73GCH1H060D	CHIP C	6.0PF D
C281		CK73GB1H103K	CHIP C	0.010UF K	C355		CK73GB1H103K	CHIP C	0.010UF K
C282		CK73GB1H104K	CHIP C	0.10UF K	C356		CK73GB1H472K	CHIP C	4700PF K

## PARTS LIST

### TX-RX-UNIT (XC1-024X-XX)

Ref.No	Address	Parts No.	Description	Destination	Ref.No	Address	Parts No.	Description	Destination
C357		CK73GB1H103K	CHIP C 0.010UF K		C463		CK73GB1H103K	CHIP C 0.010UF K	
C358		CK73GB1H104K	CHIP C 0.10UF K		C466		CK73GB1H102K	CHIP C 1000PF K	
C359		CK73GB1H104K	CHIP C 0.10UF K		C467		CK73GB1H104K	CHIP C 0.10UF K	
C360		CK73GB1H472K	CHIP C 4700PF K		C468		CC73GCH1H100D	CHIP C 10PF D	
C361		CC73GCH1H270J	CHIP C 27PF J		C469		CC73GCH1H100D	CHIP C 10PF D	
C362		CC73GCH1H270J	CHIP C 27PF J		C470		CC73GCH1H680J	CHIP C 68PF J	
C363		CK73GB1H104K	CHIP C 0.10UF K		C471		CK73GB1H103K	CHIP C 0.010UF K	
C373		CK73GB1H102K	CHIP C 1000PF K		C472		CK73GB1H103K	CHIP C 0.010UF K	
C374		CC73GCH1H010C	CHIP C 1.0PF C		C473		CK73GB1H103K	CHIP C 0.010UF K	
C377		CK73GB1H102K	CHIP C 1000PF K		C474		CK73GB1H103K	CHIP C 0.010UF K	
C391		CK73GB1H103K	CHIP C 0.010UF K		C475		CK73GB1H103K	CHIP C 0.010UF K	
C392		CK73GB1H103K	CHIP C 0.010UF K		C476		CC73GCH1H680J	CHIP C 68PF J	
C395		CK73GB1E105K	CHIP C 1.0UF K		C477		CC73GCH1H680J	CHIP C 68PF J	
C396		CC73GCH1H090D	CHIP C 9.0PF D		C478		CC73GCH1H680J	CHIP C 68PF J	
C397		CK73GB1H103K	CHIP C 0.010UF K		C479		CC73GCH1H680J	CHIP C 68PF J	
C398		CK73GB1E105K	CHIP C 1.0UF K		C480		CK73GB1H103K	CHIP C 0.010UF K	
C399		CK73GB1H103K	CHIP C 0.010UF K		C481		CC73GCH1H470J	CHIP C 47PF J	
C401		CK73GB1H103K	CHIP C 0.010UF K		C482		CC73GCH1H470J	CHIP C 47PF J	
C402		CC73GCH1H020C	CHIP C 2.0PF C		C483		CC73GCH1H470J	CHIP C 47PF J	
C412		CK73GB1H103K	CHIP C 0.010UF K		C484		CC73GCH1H270J	CHIP C 27PF J	
C413		CK73GB1H103K	CHIP C 0.010UF K		C485		CC73GCH1H060D	CHIP C 6.0PF D	
C421		CK73GB1H103K	CHIP C 0.010UF K		C486		CC73GCH1H121J	CHIP C 120PF J	
C423		CC73GCH1H220J	CHIP C 22PF J		C487		CC73GCH1H060D	CHIP C 6.0PF D	
C424		CK73GB1H103K	CHIP C 0.010UF K		C488		CC73GCH1H090D	CHIP C 9.0PF D	
C425		CK73GB1H103K	CHIP C 0.010UF K		C490		CC73GCH1H180J	CHIP C 18PF J	
C426		CK73GB1H103K	CHIP C 0.010UF K		C492		CC73GCH1H060D	CHIP C 6.0PF D	
C428		CC73GCH1H330J	CHIP C 33PF J		C494		CC73GCH1H121J	CHIP C 120PF J	
C429		CC73GCH1H330J	CHIP C 33PF J		C495		CC73GCH1H060D	CHIP C 6.0PF D	
C431		CK73GB1H103K	CHIP C 0.010UF K		C496		CC73GCH1H270J	CHIP C 27PF J	
C432		CK73GB1H102K	CHIP C 1000PF K		C497		CC73GCH1H470J	CHIP C 47PF J	
C433		CK73GB1H103K	CHIP C 0.010UF K		C498		CC73GCH1H470J	CHIP C 47PF J	
C434		CC73GCH1H090D	CHIP C 9.0PF D		C499		CC73GCH1H470J	CHIP C 47PF J	
C435		CK73GB1H103K	CHIP C 0.010UF K		C500		CK73GB1H103K	CHIP C 0.010UF K	
C436		CK73GB1E105K	CHIP C 1.0UF K		C501		CC73GCH1H680J	CHIP C 68PF J	
C440		CC73GCH1H151J	CHIP C 150PF J		C502		CC73GCH1H680J	CHIP C 68PF J	
C441		CC73GCH1H151J	CHIP C 150PF J		C503		CC73GCH1H680J	CHIP C 68PF J	
C442		CK73GB1H103K	CHIP C 0.010UF K		C504		CC73GCH1H680J	CHIP C 68PF J	
C443		CK73GB1H103K	CHIP C 0.010UF K		C505		CK73GB1H103K	CHIP C 0.010UF K	
C444		CK73GB1H103K	CHIP C 0.010UF K		C506		CK73GB1H103K	CHIP C 0.010UF K	
C445		CK73GB1H103K	CHIP C 0.010UF K		C507		CK73GB1H103K	CHIP C 0.010UF K	
C446		CK73GB1H103K	CHIP C 0.010UF K		C508		CK73GB1H103K	CHIP C 0.010UF K	
C447		CK73GB1H103K	CHIP C 0.010UF K		C509		CK73GB1H103K	CHIP C 0.010UF K	
C448		CK73GB1H103K	CHIP C 0.010UF K		C522		CC73GCH1H330J	CHIP C 33PF J	
C449		CK73GB1H103K	CHIP C 0.010UF K		C523		CK73GB1H103K	CHIP C 0.010UF K	
C451		CK73GB1H103K	CHIP C 0.010UF K		C524		CK73GB1H103K	CHIP C 0.010UF K	
C452		CK73GB1H103K	CHIP C 0.010UF K		C526		CK73GB1H103K	CHIP C 0.010UF K	
C453		CK73GB1H103K	CHIP C 0.010UF K		C528		CK73GB1H103K	CHIP C 0.010UF K	
C454		CK73GB1H104K	CHIP C 0.10UF K		C529		CK73GB1H103K	CHIP C 0.010UF K	
C455		CK73GB1E105K	CHIP C 1.0UF K		C530		CK73GB1H103K	CHIP C 0.010UF K	
C456		CK73GB1H103K	CHIP C 0.010UF K		C531		CK73GB1E105K	CHIP C 1.0UF K	
C457		CK73GB1H103K	CHIP C 0.010UF K		C533		CK73GB1H103K	CHIP C 0.010UF K	
C458		CC73GCH1H680J	CHIP C 68PF J		C534		CK73GB1H103K	CHIP C 0.010UF K	
C459		CK73GB1E105K	CHIP C 1.0UF K		C536		CK73GB1H103K	CHIP C 0.010UF K	
C462		CK73GB1H103K	CHIP C 0.010UF K		C537		CK73GB1H104K	CHIP C 0.10UF K	

## PARTS LIST

TX-RX-UNIT (XC1-024X-XX)

Ref.No	Address	Parts No.	Description	Destination	Ref.No	Address	Parts No.	Description	Destination
C539		CK73GB1H103K	CHIP C	0.010UF K	C611		CC73GCH1H271J	CHIP C	270PF J
C540		CK73GB1H104K	CHIP C	0.10UF K	C612		CC73GCH1H271J	CHIP C	270PF J
C541		CK73GB1H103K	CHIP C	0.010UF K	C613		CC73GCH1H391J	CHIP C	390PF J
C543		CK73GB1H103K	CHIP C	0.010UF K	C614		CK73FB1A106K	CHIP C	10UF K
C544		CK73GB1H103K	CHIP C	0.010UF K	C615		CK73GB1E105K	CHIP C	1.0UF K
C546		CK73GB1H103K	CHIP C	0.010UF K	C616		CK73GB1E105K	CHIP C	1.0UF K
C547		CK73GB1E105K	CHIP C	1.0UF K	C618		CC73GCH1H331J	CHIP C	330PF J
C548		CK73GB1H103K	CHIP C	0.010UF K	C619		CK73GB1H104K	CHIP C	0.10UF K
C551		CK73GB1H103K	CHIP C	0.010UF K	C620		CK73GB1H103K	CHIP C	0.010UF K
C552		CC73GCH1H470J	CHIP C	47PF J	C621		CK73GB1H222K	CHIP C	2200PF K
C553		CK73GB1H103K	CHIP C	0.010UF K	C625		CK73GB1H103K	CHIP C	0.010UF K
C554		CK73GB1H103K	CHIP C	0.010UF K	C626		CK73GB1H103K	CHIP C	0.010UF K
C555		CC73GCH1H101J	CHIP C	100PF J	C627		CK73GB1H103K	CHIP C	0.010UF K
C556		CK73GB1E105K	CHIP C	1.0UF K	C628		CK73GB1H103K	CHIP C	0.010UF K
C557		CK73GB1H103K	CHIP C	0.010UF K	C630		CK73FB1A106K	CHIP C	10UF K
C558		CK73GB1E105K	CHIP C	1.0UF K	C631		CK73GB1E105K	CHIP C	1.0UF K
C559		CK73GB1H103K	CHIP C	0.010UF K	C632		CK73FB1A106K	CHIP C	10UF K
C560		CC73GCH1H100D	CHIP C	10PF D	C633		CK73GB1H103K	CHIP C	0.010UF K
C567		CC73GCH1H391J	CHIP C	390PF J	C634		CK73GB1E105K	CHIP C	1.0UF K
C568		CC73GCH1H391J	CHIP C	390PF J	C638		CK73GB1H102K	CHIP C	1000PF K
C569		CK73GB1H103K	CHIP C	0.010UF K	C639		CK73GB1H103K	CHIP C	0.010UF K
C570		CK73GB1E105K	CHIP C	1.0UF K	C640		CK73GB1H103K	CHIP C	0.010UF K
C571		CK73GB1H103K	CHIP C	0.010UF K	C648		CC73GCH1H100D	CHIP C	10PF D
C572		CK73GB1H103K	CHIP C	0.010UF K	C649		CC73GCH1H020C	CHIP C	2.0PF C
C573		CK73GB1H103K	CHIP C	0.010UF K	C650		CK73GB1H103K	CHIP C	0.010UF K
C574		CK73GB1H103K	CHIP C	0.010UF K	C651		CK73GB1H102K	CHIP C	1000PF K
C575		CK73GB1H103K	CHIP C	0.010UF K	C652		CK73GB1H103K	CHIP C	0.010UF K
C576		CK73GB1H102K	CHIP C	1000PF K	C653		CK73GB1H103K	CHIP C	0.010UF K
C577		CK73GB1H103K	CHIP C	0.010UF K	C654		CC73GCH1H470J	CHIP C	47PF J
C578		CC73GCH1H221J	CHIP C	220PF J	C656		CK73GB1H103K	CHIP C	0.010UF K
C579		CC73GCH1H220J	CHIP C	22PF J	C657		CK73GB1E105K	CHIP C	1.0UF K
C580		CC73GCH1H391J	CHIP C	390PF J	C658		CC73GCH1H430J	CHIP C	43PF J
C581		CK73GB1H103K	CHIP C	0.010UF K	C659		CC73GCH1H080D	CHIP C	8.0PF D
C582		CK73GB1H103K	CHIP C	0.010UF K	C668		CK73GB1H103K	CHIP C	0.010UF K
C583		CC73GCH1H221J	CHIP C	220PF J	C670		CK73GB1H103K	CHIP C	0.010UF K
C584		CC73GCH1H220J	CHIP C	22PF J	C671		CK73GB1H103K	CHIP C	0.010UF K
C591		CK73GB1H104K	CHIP C	0.10UF K	C673		CK73GB1H103K	CHIP C	0.010UF K
C592		CE32CL1C220M	CHIP EL	22UF 16WV	C674		CK73GB1C474K	CHIP C	0.47UF K
C593		CK73GB1H103K	CHIP C	0.010UF K	C675		CK73GB1H103K	CHIP C	0.010UF K
C594		CE32CL1C220M	CHIP EL	22UF 16WV	C679		CK73GB1H103K	CHIP C	0.010UF K
C595		CK73GB1H104K	CHIP C	0.10UF K	C680		CK73GB1H103K	CHIP C	0.010UF K
C597		CK73GB1H104K	CHIP C	0.10UF K	C681		CC73GCH1H100D	CHIP C	10PF D
C598		CK73GB1H104K	CHIP C	0.10UF K	C682		CK73GB1H103K	CHIP C	0.010UF K
C599		CK73GB1H104K	CHIP C	0.10UF K	C683		CK73GB1H102K	CHIP C	1000PF K
C600		CK73GB1H103K	CHIP C	0.010UF K	C684		CK73GB1H103K	CHIP C	0.010UF K
C601		CC73GCH1H820J	CHIP C	82PF J	C686		CK73GB1E105K	CHIP C	1.0UF K
C602		CK73GB1H104K	CHIP C	0.10UF K	C687		CK73GB1H103K	CHIP C	0.010UF K
C603		CK73GB1H104K	CHIP C	0.10UF K	C688		CE32CL1C470M	CHIP EL	47UF 16WV
C604		CK73GB1H104K	CHIP C	0.10UF K	C689		CK73GB1E105K	CHIP C	1.0UF K
C605		CK73GB1H104K	CHIP C	0.10UF K	C691		CC73GCH1H360J	CHIP C	36PF J
C606		CK73GB1H104K	CHIP C	0.10UF K	C692		CC73GCH1H390J	CHIP C	39PF J
C608		CK73GB1H104K	CHIP C	0.10UF K	C693		CC73GCH1H100D	CHIP C	10PF D
C609		CK73GB1H104K	CHIP C	0.10UF K	C694		CC73GCH1H090D	CHIP C	9.0PF D
C610		CC73GCH1H270J	CHIP C	27PF J					

## PARTS LIST

### TX-RX-UNIT (XC1-024X-XX)

Ref.No	Address	Parts No.	Description	Destination	Ref.No	Address	Parts No.	Description	Destination
C701		CC73GCH1H100D	CHIP C 10PF D		C784		CK73GB1H102K	CHIP C 1000PF K	
C702		CK73GB1E105K	CHIP C 1.0UF K		C785		CK73GB1H104K	CHIP C 0.10UF K	
C703		CK73FB1A225K	CHIP C 2.2UF K		C786		CK73GB1H102K	CHIP C 1000PF K	
C705		CC73GCH1H180J	CHIP C 18PF J		C787		CC73GCH1H180J	CHIP C 18PF J	
C706		CK73GB1H103K	CHIP C 0.010UF K		C788		CK73GB1H104K	CHIP C 0.10UF K	
C707		CK73GB1H103K	CHIP C 0.010UF K		C789		CC73GCH1H390J	CHIP C 39PF J	
C708		CK73GB1H103K	CHIP C 0.010UF K		C790		CK73GB1E105K	CHIP C 1.0UF K	
C709		CK73GB1H103K	CHIP C 0.010UF K		C791		CK73GB1E105K	CHIP C 1.0UF K	
C710		CK73GB1H103K	CHIP C 0.010UF K		C792		CE32CL1V4R7M	CHIP EL 4.7UF 35WV	
C712		CK73GB1H103K	CHIP C 0.010UF K		C793		CC73GCH1H330J	CHIP C 33PF J	
C713		CK73GB1H103K	CHIP C 0.010UF K		C794		CK73GB1H104K	CHIP C 0.10UF K	
C714		CE32CL1C100M	CHIP EL 10UF 16WV		C795		CK73GB1H103K	CHIP C 0.010UF K	
C715		CK73GB1H103K	CHIP C 0.010UF K		C796		CK73GB1H104K	CHIP C 0.10UF K	
C716		CK73GB1H103K	CHIP C 0.010UF K		C797		CK73GB1E105K	CHIP C 1.0UF K	
C717		CC73GCH1H102J	CHIP C 1000PF J		C798		CK73GB1H103K	CHIP C 0.010UF K	
C721		CK73GB1H103K	CHIP C 0.010UF K		C799		CE32CL1V4R7M	CHIP EL 4.7UF 35WV	
C722		CK73GB1H103K	CHIP C 0.010UF K		C800		CC73GCH1H150J	CHIP C 15PF J	
C723		CK73GB1H103K	CHIP C 0.010UF K		C802		CK73GB1H104K	CHIP C 0.10UF K	
C724		CC73GCH1H050C	CHIP C 5.0PF C		C803		CK73GB1H104K	CHIP C 0.10UF K	
C726		CK73GB1H103K	CHIP C 0.010UF K		C804		CK73GB1H102K	CHIP C 1000PF K	
C728		CK73GB1H103K	CHIP C 0.010UF K		C805		CC73GCH1H101J	CHIP C 100PF J	
C730		CK73GB1H103K	CHIP C 0.010UF K		C806		CK73GB1H103K	CHIP C 0.010UF K	
C731		CK73GB1H103K	CHIP C 0.010UF K		C807		CK73GB1H103K	CHIP C 0.010UF K	
C733		CC73GCH1H220J	CHIP C 22PF J		C808		CC73GCH1H101J	CHIP C 100PF J	
C734		CK73GB1H103K	CHIP C 0.010UF K		C809		CK73GB1H103K	CHIP C 0.010UF K	
C735		CC73GCH1H330J	CHIP C 33PF J		C811		CK73GB1H223K	CHIP C 0.022UF K	
C741		CC73GCH1H470J	CHIP C 47PF J		C812		CK73GB1C474K	CHIP C 0.47UF K	
C742		CK73GB1H102K	CHIP C 1000PF K		C813		CC73GCH1H101J	CHIP C 100PF J	
C743		CK73GB1H102K	CHIP C 1000PF K		C814		CK73GB1E105K	CHIP C 1.0UF K	
C744		CK73GB1H103K	CHIP C 0.010UF K		C818		CE32CL1V4R7M	CHIP EL 4.7UF 35WV	
C745		CC73GCH1H470J	CHIP C 47PF J		C819		CC73GCH1H100D	CHIP C 10PF D	
C746		CK73GB1H102K	CHIP C 1000PF K		C820		CC73GCH1H100D	CHIP C 10PF D	
C747		CK73GB1H104K	CHIP C 0.10UF K		C821		CK73GB1H103K	CHIP C 0.010UF K	
C748		CK73GB1H102K	CHIP C 1000PF K		C822		CK73GB1C225K	CHIP C 2.2UF K	
C749		CK73GB1H103K	CHIP C 0.010UF K		C823		CC73GCH1H101J	CHIP C 100PF J	
C750		CK73GB1H103K	CHIP C 0.010UF K		C824		CK73GB1H103K	CHIP C 0.010UF K	
C751		CK73GB1E105K	CHIP C 1.0UF K		C825		CK73GB1H103K	CHIP C 0.010UF K	
C762		CK73GB1H103K	CHIP C 0.010UF K		C826		CK73GB1H103K	CHIP C 0.010UF K	
C763		CK73GB1H104K	CHIP C 0.10UF K		C827		CC73GCH1H101J	CHIP C 100PF J	
C764		CK73GB1H103K	CHIP C 0.010UF K		C828		CK73GB1E105K	CHIP C 1.0UF K	
C765		CK73GB1H104K	CHIP C 0.10UF K		C841		CK73GB1H333K	CHIP C 0.033UF K	
C766		CK73GB1H103K	CHIP C 0.010UF K		C842		CK73GB1H103K	CHIP C 0.010UF K	
C767		CK73GB1H103K	CHIP C 0.010UF K		C861		CK73GB1H103K	CHIP C 0.010UF K	
C768		CC73GCH1H120J	CHIP C 12PF J		C862		CK73GB1H104K	CHIP C 0.10UF K	
C769		CC73GCH1H471J	CHIP C 470PF J		C863		CK73GB1H104K	CHIP C 0.10UF K	
C770		CK73GB1H103K	CHIP C 0.010UF K		C864		CK73GB1H104K	CHIP C 0.10UF K	
C771		CK73GB1H104K	CHIP C 0.10UF K		C865		CK73GB1H103K	CHIP C 0.010UF K	
C772		CK73GB1H102K	CHIP C 1000PF K		C866		CK73GB1H102K	CHIP C 1000PF K	
C773		CK73GB1H104K	CHIP C 0.10UF K		C867		CK73GB1H103K	CHIP C 0.010UF K	
C774		CK73GB1H103K	CHIP C 0.010UF K		C901		CK73GB1H102K	CHIP C 1000PF K	
C776		CK73GB1H103K	CHIP C 0.010UF K		C902		CK73GB1H104K	CHIP C 0.10UF K	
C779		CK73GB1H103K	CHIP C 0.010UF K		C903		CE32CL1C220M	CHIP EL 22UF 16WV	
C780		CK73GB1H102K	CHIP C 1000PF K		C904		CD04BQ1C471M	ALUMINIUM ELECTRO CAPACITOR	
C782		CK73GB1E105K	CHIP C 1.0UF K		C905		CK73GB1H104K	CHIP C 0.10UF K	
C783		CK73GB1H103K	CHIP C 0.010UF K						

## PARTS LIST

TX-RX-UNIT (XC1-024X-XX)

Ref.No	Address	Parts No.	Description	Destination	Ref.No	Address	Parts No.	Description	Destination
C906		CK73GB1H102K	CHIP C	1000PF K	CN700		E40-6525-05	PIN ASSY	
C908		CE32CL1C220M	CHIP EL	22UF 16WV	CN800		E04-0490-05	PIN SOCKET	
C909		CK73GB1H104K	CHIP C	0.10UF K	D11		1SS226-F	DIODE	
C910		CK73GB1H104K	CHIP C	0.10UF K	D12		1SS226-F	DIODE	
C911		CE32CL1C220M	CHIP EL	22UF 16WV	D13		DA2S101	DIODE	
C912		CK73GB1H102K	CHIP C	1000PF K	D14		EDZV18B	ZENER DIODE	
C924		CK73GB1H102K	CHIP C	1000PF K	D15		EDZV4.3B	ZENER DIODE	
C927		CK73GB1H104K	CHIP C	0.10UF K	D17		DA2S101	DIODE	
C929		CE32CL1C220M	CHIP EL	22UF 16WV	D18		DAN202U	MULTIPLE DIODE	
C930		CK73GB1H104K	CHIP C	0.10UF K	D19		DA2S101	DIODE	
C931		CK73GB1H103K	CHIP C	0.010UF K	D20		DA2S101	DIODE	
C960		CC73GCH1H470J	CHIP C	47PF J	D21		DA2S101	DIODE	
C961		CK73GB1H102K	CHIP C	1000PF K	D22		DA2S101	DIODE	
C962		CC73GCH1H070D	CHIP C	7.0PF D	D23		DA2S101	DIODE	
C963		CK73GB1H103K	CHIP C	0.010UF K	D24		DA221	MULTIPLE DIODE	
C964		CK73GB1H103K	CHIP C	0.010UF K	D25		DA2S101	DIODE	
C965		CK73GB1H102K	CHIP C	1000PF K	D101		DSP-301N	SURGE ABSORBER	
C966		CK73GB1H102K	CHIP C	1000PF K	D102		DAN202U	MULTIPLE DIODE	
C967		CK73GB1H103K	CHIP C	0.010UF K	D103		DAN202U	MULTIPLE DIODE	
C968		CC73GCH1H020C	CHIP C	2.0PF C	D104		V08(G)	DIODE	
C969		CK73GB1H102K	CHIP C	1000PF K	D105		MMSD103T1G	DIODE	
C970		CK73GB1H103K	CHIP C	0.010UF K	D106		MMSD103T1G	DIODE	
C971		CK73GB1H103K	CHIP C	0.010UF K	D107		V08(G)	DIODE	
C972		CK73GB1E105K	CHIP C	1.0UF K	D108		RN142S	DIODE	
C973		CC73GCH1H060D	CHIP C	6.0PF D	D109		RN142S	DIODE	
C974		CC73GCH1H220J	CHIP C	22PF J	D110		RN142S	DIODE	
C993		CC73GCH1H102J	CHIP C	1000PF J	D111		EZJZ1V500AA	VARISTOR	
C994		CC73GCH1H090D	CHIP C	9.0PF D	D131		RN142S	DIODE	
CF591		L72-0372-05	CERAMIC FILTER		D132		RN142S	DIODE	
CN1		E40-6526-05	PIN ASSY		D133		RN142S	DIODE	
CN2		E40-6656-05	PIN ASSY		D134		RN142S	DIODE	
CN3		E40-6525-05	PIN ASSY		D135		RN142S	DIODE	
CN4		E41-1684-05	PIN ASSY		D136		RN142S	DIODE	
CN5		E40-6726-05	FLAT CABLE CONNECTOR		D137		RN142S	DIODE	
CN100		E04-0490-05	PIN SOCKET		D138		RN142S	DIODE	
CN101		E40-5487-05	PIN ASSY		D139		RN142S	DIODE	
CN102		E40-5487-05	PIN ASSY		D140		RN142S	DIODE	
CN103		E40-5487-05	PIN ASSY		D141		RN142S	DIODE	
CN200		E04-0490-05	PIN SOCKET		D142		RN142S	DIODE	
CN201		E40-6852-05	PIN ASSY		D143		RN142S	DIODE	
CN300		E04-0490-05	PIN SOCKET		D144		RN142S	DIODE	
CN303		E40-6852-05	PIN ASSY		D145		RN142S	DIODE	
CN304		E40-6852-05	PIN ASSY		D146		RN142S	DIODE	
CN400		E04-0490-05	PIN SOCKET		D147		RN142S	DIODE	
CN500		E18-0254-05	SOCKET		D148		RN142S	DIODE	
CN501		E18-0254-05	SOCKET		D149		RN142S	DIODE	
CN600		E40-6525-05	PIN ASSY		D150		RN142S	DIODE	
CN650		E40-6529-05	PIN ASSY		D151		RN142S	DIODE	
CN663		E40-6529-05	PIN ASSY		D152		RN142S	DIODE	
CN667		E04-0490-05	PIN SOCKET		D153		RN142S	DIODE	
CN674		E04-0490-05	PIN SOCKET		D154		RN142S	DIODE	
					D155		RN142S	DIODE	
					D156		RN142S	DIODE	

## PARTS LIST

### TX-RX-UNIT (XC1-024X-XX)

Ref.No	Address	Parts No.	Description	Desti-nation	Ref.No	Address	Parts No.	Description	Desti-nation
D200		DA2S101	DIODE		D702		DA2S101	DIODE	
D231		RN142S	DIODE		D721		RN731V	DIODE	
D232		RN142S	DIODE		D722		RN731V	DIODE	
D233		RN142S	DIODE		D723		RN142S	DIODE	
D234		RN142S	DIODE						
D235		DAN202U	MULTIPLE DIODE		D724		DA204U	MULTIPLE DIODE	
D261		RN142S	DIODE		D741		RN731V	DIODE	
D281		RN142S	DIODE		D761		RN142S	DIODE	
D301		RN142S	DIODE		D762		RN142S	DIODE	
D302		RN142S	DIODE		D781		RN142S	DIODE	
D321		RN142S	DIODE		D782		RN142S	DIODE	
D323		RN142S	DIODE		D783		RN142S	DIODE	
D324		RN142S	DIODE		D784		DAN202U	MULTIPLE DIODE	
D351		RN142S	DIODE		D785		RN142S	DIODE	
D371		RN142S	DIODE		D799		EDZV18B	ZENER DIODE	
D372		RN142S	DIODE		D800		EDZV18B	ZENER DIODE	
D420		RN142S	DIODE		D801		EDZV6.2B	ZENER DIODE	
D421		RN142S	DIODE		D802		DA2S101	DIODE	
D422		RB706F-40	DIODE		D806		DZ2J100M	ZENER DIODE	
D423		RB706F-40	DIODE		D807		DA2S101	DIODE	
D431		DAN202U	MULTIPLE DIODE		D808		DA2S101	DIODE	
D441		RN142S	DIODE		D809		DZ2J033(M)	ZENER DIODE	
D442		RN142S	DIODE		D841		DA2S101	DIODE	
D443		RN142S	DIODE		D861		RB531SM-30	DIODE	
D461		RN142S	DIODE		D862		RB531SM-30	DIODE	
D462		RN142S	DIODE		F1		F53-0388-05	FUSE(1.25A)	
D463		RN142S	DIODE		F901		F53-0363-05	FUSE(0.5A)	
D464		RN142S	DIODE		F911		F53-0316-15	FUSE(375MA)	
D470		RN142S	DIODE		F954		F53-0363-05	FUSE(0.5A)	
D471		RN142S	DIODE		IC11		TC74HC4094AFF	MOS-IC	
D472		RN142S	DIODE		IC12		TC74HC4094AFF	MOS-IC	
D473		RN142S	DIODE		IC13		R2A20168SA	MOS-IC	
D474		RN142S	DIODE		IC14		TC74HC4094AFF	MOS-IC	
D475		RN142S	DIODE		IC15		TC74HC4094AFF	MOS-IC	
D476		RN142S	DIODE		IC521		BA2904FVM	MOS-IC	
D477		RN142S	DIODE		IC591		TA31136FNG	MOS-IC	
D478		RN142S	DIODE		IC592		NJM2732V	BIPOLAR IC	
D479		RN142S	DIODE		IC601		BA4580RFVM	BI-POLAR IC	
D480		RN142S	DIODE		IC631		TC4W53FU-F	MOS-IC	
D481		RN142S	DIODE		IC701		TA4107F-F	MOS-IC	
D482		RN142S	DIODE		IC761		TA4107F-F	MOS-IC	
D483		RN142S	DIODE		IC801		BA2904FVM	MOS-IC	
D525		L204BBB	DIODE		IC802		BA2904FVM	MOS-IC	
D526		DAN202U	MULTIPLE DIODE		IC803		BA2904FVM	MOS-IC	
D551		RB706F-40	DIODE		IC861		BA2904FVM	MOS-IC	
D552		RB706F-40	DIODE		J1		E11-0414-15	3.5D PHONE JACK(3P)	
D571		DAN202U	MULTIPLE DIODE		J2		E56-0408-15	DIN SOCKET	
D586		1SS226-F	DIODE		J3		E06-0752-15	DIN SOCKET	
D587		1SS226-F	DIODE		J4		E11-0455-05	3.5D PHONE JACK(3P)	
D662		RB706F-40	DIODE		J5		E11-0705-15	PHONE JACK (9P)	
D663		RN142S	DIODE		J100		E13-0166-25	PIN JACK	
D664		RN142S	DIODE		J800		E13-0166-25	PIN JACK	
D701		DAN202U	MULTIPLE DIODE						

## PARTS LIST

TX-RX-UNIT (XC1-024X-XX)

Ref.No	Address	Parts No.	Description	Destination	Ref.No	Address	Parts No.	Description	Destination
K11		S51-1420-05	RELAY		L155		L41-1098-60	SMALL FIXED INDUCTOR(1UH)	
K101		S76-0483-05	RELAY		L156		L41-2788-60	SMALL FIXED INDUCTOR(270NH)	
K102		S76-0483-05	RELAY		L157		L41-1098-60	SMALL FIXED INDUCTOR(1UH)	
K103		S76-0476-05	RELAY		L158		L41-1505-08	SMALL FIXED INDUCTOR(15UH)	
K800		S76-0483-05	RELAY		L159		L41-1898-60	SMALL FIXED INDUCTOR(1.8UH)	
L11		L41-1005-52	SMALL FIXED INDUCTOR(10UH)		L160		L41-1298-60	SMALL FIXED INDUCTOR(1.2UH)	
L12		L41-1005-52	SMALL FIXED INDUCTOR(10UH)		L161		L41-1098-60	SMALL FIXED INDUCTOR(1UH)	
L13		L41-1095-52	SMALL FIXED INDUCTOR(1.0UH)		L162		L41-3388-60	SMALL FIXED INDUCTOR(330NH)	
L14		L41-1085-53	SMALL FIXED INDUCTOR(0.1UH)		L163		L41-2288-60	SMALL FIXED INDUCTOR(220NH)	
L15		L41-1085-53	SMALL FIXED INDUCTOR(0.1UH)		L164		L41-2288-60	SMALL FIXED INDUCTOR(220NH)	
L16		L41-1085-53	SMALL FIXED INDUCTOR(0.1UH)		L165		L41-2288-60	SMALL FIXED INDUCTOR(220NH)	
L17		L41-1085-53	SMALL FIXED INDUCTOR(0.1UH)		L166		L41-1588-60	SMALL FIXED INDUCTOR(150NH)	
L18		L33-1557-05	CHOKE COIL		L167		L34-4941-05	COIL	
L19		L33-1554-05	CHOKE COIL		L168		L34-4942-05	COIL	
L21		L92-0639-05	CHIP FERRITE		L170		L33-0695-05	SMALL FIXED INDUCTOR	
L22		L92-0639-05	CHIP FERRITE		L171		L34-4608-15	AIR-CORE COIL	
L23		L92-0639-05	CHIP FERRITE		L172		L34-4608-15	AIR-CORE COIL	
L24		L92-0639-05	CHIP FERRITE		L200		L3K-0002-00	TOROIDAL COIL	
L25		L92-0639-05	CHIP FERRITE		L201		LR73Z0AE101J	CHIP INDUCTOR	
L26		L92-0639-05	CHIP FERRITE		L231		L33-0695-05	SMALL FIXED INDUCTOR	
L101		LR73Z0AE101J	CHIP INDUCTOR		L232		L41-2288-60	SMALL FIXED INDUCTOR(220NH)	
L102		LR73Z0AE101J	CHIP INDUCTOR		L233		L33-0695-05	SMALL FIXED INDUCTOR	
L103		L41-1588-60	SMALL FIXED INDUCTOR(150NH)		L234		L39-1556-05	TOROIDAL COIL	
L104		L41-1005-52	SMALL FIXED INDUCTOR(10UH)		L235		L41-1005-52	SMALL FIXED INDUCTOR(10UH)	
L105		L33-0695-05	SMALL FIXED INDUCTOR		L236		L41-1588-60	SMALL FIXED INDUCTOR(150NH)	
L106		L40-6891-14	SMALL FIXED INDUCTOR	E	L237		L33-0695-05	SMALL FIXED INDUCTOR	
L107		L33-0695-05	SMALL FIXED INDUCTOR		L251		L41-2288-60	SMALL FIXED INDUCTOR(220NH)	
L108		L40-6891-14	SMALL FIXED INDUCTOR	E	L252		L41-2288-60	SMALL FIXED INDUCTOR(220NH)	
L109		L41-5698-64	SMALL FIXED INDUCTOR(5.6UH)		L253		L34-4935-05	COIL	
L110		L33-0695-05	SMALL FIXED INDUCTOR		L254		L41-2288-60	SMALL FIXED INDUCTOR(220NH)	
L131		L41-6898-64	SMALL FIXED INDUCTOR(6.8UH)		L255		L34-4935-05	COIL	
L132		L41-6898-64	SMALL FIXED INDUCTOR(6.8UH)		L261		L39-1554-15	TOROIDAL COIL	
L133		L34-4941-05	COIL		L262		L39-1480-15	TOROIDAL COIL	
L134		L34-4942-05	COIL		L263		LR73Z0AE101J	CHIP INDUCTOR	
L135		L41-2788-60	SMALL FIXED INDUCTOR(270NH)		L264		L39-1555-05	TOROIDAL COIL	
L136		L33-0695-05	SMALL FIXED INDUCTOR		L267		L41-3388-60	SMALL FIXED INDUCTOR(330NH)	
L137		L41-1898-60	SMALL FIXED INDUCTOR(1.8UH)		L268		L41-1598-60	SMALL FIXED INDUCTOR(1.5UH)	
L138		L41-1298-60	SMALL FIXED INDUCTOR(1.2UH)		L269		LR73Z0AE101J	CHIP INDUCTOR	
L139		L41-1098-60	SMALL FIXED INDUCTOR(1UH)		L281		LR73Z0AE101J	CHIP INDUCTOR	
L140		L41-3388-60	SMALL FIXED INDUCTOR(330NH)		L283		LR73Z0AE101J	CHIP INDUCTOR	
L141		L41-2288-60	SMALL FIXED INDUCTOR(220NH)		L284		L41-4705-52	SMALL FIXED INDUCTOR(47UH)	
L142		L41-2288-60	SMALL FIXED INDUCTOR(220NH)		L285		L40-4781-86	SMALL FIXED INDUCTOR(0.47UH)	
L143		L41-2288-60	SMALL FIXED INDUCTOR(220NH)		L303		L40-1291-86	SMALL FIXED INDUCTOR(1.2U)	
L144		L41-1588-60	SMALL FIXED INDUCTOR(150NH)		L304		L40-2791-86	SMALL FIXED INDUCTOR(2.7U)	
L145		L41-1505-08	SMALL FIXED INDUCTOR(15UH)		L305		L40-5691-86	SMALL FIXED INDUCTOR(5.6U)	
L146		L33-0695-05	SMALL FIXED INDUCTOR		L306		L40-5691-86	SMALL FIXED INDUCTOR(5.6U)	
L147		L41-6898-64	SMALL FIXED INDUCTOR(6.8UH)		L307		L40-2791-86	SMALL FIXED INDUCTOR(2.7U)	
L148		L41-5698-64	SMALL FIXED INDUCTOR(5.6UH)		L308		L40-1291-86	SMALL FIXED INDUCTOR(1.2U)	
L149		L41-1898-60	SMALL FIXED INDUCTOR(1.8UH)		L309		LR73Z0AE101J	CHIP INDUCTOR	
L150		L34-4941-05	COIL		L311		LR73Z0AE101J	CHIP INDUCTOR	
L151		L41-2298-60	SMALL FIXED INDUCTOR(2.2UH)		L312		LR73Z0AE101J	CHIP INDUCTOR	
L152		L41-1898-60	SMALL FIXED INDUCTOR(1.8UH)		L321		L41-1288-60	SMALL FIXED INDUCTOR(120NH)	
L153		L34-4942-05	COIL		L322		L41-1088-60	SMALL FIXED INDUCTOR(100NH)	
L154		L41-1098-60	SMALL FIXED INDUCTOR(1UH)		L323		L39-1493-15	TOROIDAL COIL	
					L324		L39-1480-15	TOROIDAL COIL	

## PARTS LIST

### TX-RX-UNIT (XC1-024X-XX)

Ref.No	Address	Parts No.	Description	Destination	Ref.No	Address	Parts No.	Description	Destination
L325		LR73Z0AE101J	CHIP INDUCTOR		L551		L41-1005-52	SMALL FIXED INDUCTOR(10UH)	
L326		L34-4709-05	COIL		L552		L39-1255-15	TOROIDAL COIL	
L327		L41-1005-52	SMALL FIXED INDUCTOR(10UH)		L571		L41-1005-52	SMALL FIXED INDUCTOR(10UH)	
L328		L41-4785-52	SMALL FIXED INDUCTOR(0.47UH)		L572		L41-1005-52	SMALL FIXED INDUCTOR(10UH)	
L351		L41-1005-52	SMALL FIXED INDUCTOR(10UH)		L573		L40-8281-86	SMALL FIXED INDUCTOR(0.82UH)	
L353		LR73Z0AE101J	CHIP INDUCTOR		L574		L40-8281-86	SMALL FIXED INDUCTOR(0.82UH)	
L354		L41-4785-52	SMALL FIXED INDUCTOR(0.47UH)		L575		L40-4781-86	SMALL FIXED INDUCTOR(0.47UH)	
L355		L41-1095-52	SMALL FIXED INDUCTOR(1.0UH)		L591		L41-1005-52	SMALL FIXED INDUCTOR(10UH)	
L356		L41-1085-53	SMALL FIXED INDUCTOR(0.1UH)		L592		LR73Z0AE101J	CHIP INDUCTOR	
L374		L34-4818-05	COIL		L593		L41-1005-52	SMALL FIXED INDUCTOR(10UH)	
L375		L34-4818-05	COIL		L594		L41-4705-52	SMALL FIXED INDUCTOR(47UH)	
L376		L34-4818-05	COIL		L595		L34-4787-05	COIL	
L391		LR73Z0AE101J	CHIP INDUCTOR		L641		LR79F0EDR10G	CHIP INDUCTOR	
L393		L41-1005-52	SMALL FIXED INDUCTOR(10UH)		L651		L41-4795-52	SMALL FIXED INDUCTOR(4.7UH)	
L394		L39-1553-05	TOROIDAL COIL		L652		L41-4705-52	SMALL FIXED INDUCTOR(47UH)	
L397		L41-1005-52	SMALL FIXED INDUCTOR(10UH)		L653		L34-4935-05	COIL	
L421		L39-1255-15	TOROIDAL COIL		L654		L41-2285-52	SMALL FIXED INDUCTOR(0.22UH)	
L422		L39-1255-15	TOROIDAL COIL		L662		L33-0695-05	SMALL FIXED INDUCTOR	
L431		L41-4785-52	SMALL FIXED INDUCTOR(10UH)		L663		L41-4705-52	SMALL FIXED INDUCTOR(47UH)	
L432		L40-1288-67	SMALL FIXED INDUCTOR(120NH/8)		L664		L34-4935-05	COIL	
L451		LR73Z0AE101J	CHIP INDUCTOR		L665		L34-4935-05	COIL	
L452		LR73Z0AE101J	CHIP INDUCTOR		L701		LR73Z0AE101J	CHIP INDUCTOR	
L453		LR73Z0AE101J	CHIP INDUCTOR		L702		L41-1005-52	SMALL FIXED INDUCTOR(10UH)	
L454		L41-1098-60	SMALL FIXED INDUCTOR(1UH)		L703		L40-1001-86	SMALL FIXED INDUCTOR(10UH)	
L455		LR73Z0AE101J	CHIP INDUCTOR		L705		L41-1005-52	SMALL FIXED INDUCTOR(10UH)	
L456		L41-1098-60	SMALL FIXED INDUCTOR(1UH)		L721		LR73Z0AE101J	CHIP INDUCTOR	
L461		L39-1480-15	TOROIDAL COIL		L722		LR73Z0AE101J	CHIP INDUCTOR	
L462		L39-1571-05	TOROIDAL COIL		L725		L41-4705-52	SMALL FIXED INDUCTOR(47UH)	
L471		LR73Z0AE101J	CHIP INDUCTOR		L727		L41-1005-52	SMALL FIXED INDUCTOR(10UH)	
L472		LR73Z0AE101J	CHIP INDUCTOR		L728		LR73Z0AE101J	CHIP INDUCTOR	
L473		LR73Z0AE101J	CHIP INDUCTOR		L741		LR79F0EDR10G	CHIP INDUCTOR	
L474		L41-5695-52	SMALL FIXED INDUCTOR(5.6UH)		L742		L41-4705-52	SMALL FIXED INDUCTOR(47UH)	
L475		L41-5695-52	SMALL FIXED INDUCTOR(5.6UH)		L761		LR73Z0AE101J	CHIP INDUCTOR	
L476		L41-4798-60	SMALL FIXED INDUCTOR(4.7UH)		L762		L39-1476-05	TOROIDAL COIL	
L477		L41-8295-52	SMALL FIXED INDUCTOR(8.2UH)		L763		L39-1480-15	TOROIDAL COIL	
L478		L40-8291-86	SMALL FIXED INDUCTOR(8.2UH)		L765		L41-1005-52	SMALL FIXED INDUCTOR(10UH)	
L479		L40-5691-86	SMALL FIXED INDUCTOR(5.6UH)		L781		L41-2785-52	SMALL FIXED INDUCTOR(0.27UH)	
L480		L40-4791-86	SMALL FIXED INDUCTOR(4.7UH)		L782		LR79F0EDR10G	CHIP INDUCTOR	
L481		L40-5691-86	SMALL FIXED INDUCTOR(5.6UH)		L783		LR73Z0AE101J	CHIP INDUCTOR	
L482		LR73Z0AE101J	CHIP INDUCTOR		L784		L41-4705-52	SMALL FIXED INDUCTOR(47UH)	
L483		LR73Z0AE101J	CHIP INDUCTOR		L785		L33-0695-05	SMALL FIXED INDUCTOR	
L484		LR73Z0AE101J	CHIP INDUCTOR		L786		LR79F0EDR10G	CHIP INDUCTOR	
L485		L41-1898-60	SMALL FIXED INDUCTOR(1.8UH)		L788		LR73Z0AE101J	CHIP INDUCTOR	
L486		L40-1891-86	SMALL FIXED INDUCTOR(1.8UH)		L903		L41-1005-52	SMALL FIXED INDUCTOR(10UH)	
L521		L40-4791-86	SMALL FIXED INDUCTOR(4.7UH)		L956		L41-1095-52	SMALL FIXED INDUCTOR(1.0UH)	
L522		LR73Z0AE101J	CHIP INDUCTOR		L957		L41-4785-52	SMALL FIXED INDUCTOR(0.47UH)	
L523		L41-1005-52	SMALL FIXED INDUCTOR(10UH)		L959		L41-2785-53	SMALL FIXED INDUCTOR(0.27UH)	
L524		L39-1599-05	TOROIDAL COIL		Q12		LSCR523EBFS8	TRANSISTOR	
L525		LR73Z0AE101J	CHIP INDUCTOR		Q13		LTC043ZEBFS8	DIGITAL TRANSISTOR	
L526		L41-1005-52	SMALL FIXED INDUCTOR(10UH)		Q14		RUE002N02	FET	
L527		L41-1005-52	SMALL FIXED INDUCTOR(10UH)		Q15		LTC014EEBFS8	DIGITAL TRANSISTOR	
L528		LR73Z0AE101J	CHIP INDUCTOR		Q16		LTC043ZEBFS8	DIGITAL TRANSISTOR	
L542		LR73Z0AE101J	CHIP INDUCTOR		Q17		2SB1188(Q,R)	TRANSISTOR	
L543		L39-1598-05	TOROIDAL COIL						

## PARTS LIST

TX-RX-UNIT (XC1-024X-XX)

Ref.No	Address	Parts No.	Description	Desti-nation	Ref.No	Address	Parts No.	Description	Desti-nation
Q18		LTC043ZEBFS8	DIGITAL TRANSISTOR		Q456		LTC043ZEBFS8	DIGITAL TRANSISTOR	
Q19		SSM3K15AMFV	FET		Q471		LTC043ZEBFS8	DIGITAL TRANSISTOR	
Q101		LTC023YEBFS8	TRANSISTOR		Q472		LTC043ZEBFS8	DIGITAL TRANSISTOR	
Q102		LTC023YEBFS8	TRANSISTOR		Q473		LTC043ZEBFS8	DIGITAL TRANSISTOR	
Q103		2SD1757K	TRANSISTOR		Q474		LTC043ZEBFS8	DIGITAL TRANSISTOR	
Q131		LTC043ZEBFS8	DIGITAL TRANSISTOR		Q475		LSCR523EBFS8	TRANSISTOR	
Q132		LTC043ZEBFS8	DIGITAL TRANSISTOR		Q476		LSCR523EBFS8	TRANSISTOR	
Q133		LTC043ZEBFS8	DIGITAL TRANSISTOR		Q477		LSCR523EBFS8	TRANSISTOR	
Q134		LTC043ZEBFS8	DIGITAL TRANSISTOR		Q521		2SC5551AF	TRANSISTOR	
Q135		LTC043ZEBFS8	DIGITAL TRANSISTOR		Q522		2SC5551AF	TRANSISTOR	
Q136		LTC043ZEBFS8	DIGITAL TRANSISTOR		Q541		3SK264-5	FET	
Q137		LTC043ZEBFS8	DIGITAL TRANSISTOR		Q571		2SC4725	TRANSISTOR	
Q138		LTC043ZEBFS8	DIGITAL TRANSISTOR		Q631		LTC043ZEBFS8	DIGITAL TRANSISTOR	
Q139		LTC043ZEBFS8	DIGITAL TRANSISTOR		Q641		2SC3356-A	TRANSISTOR	
Q140		LTC043ZEBFS8	DIGITAL TRANSISTOR		Q642		LTA014EEBFS8	DIGITAL TRANSISTOR	
Q141		LTC043ZEBFS8	DIGITAL TRANSISTOR		Q643		LTC043ZEBFS8	DIGITAL TRANSISTOR	
Q142		LTC043ZEBFS8	DIGITAL TRANSISTOR		Q651		2SC3356-A(R25)	TRANSISTOR	
Q143		LTC043ZEBFS8	DIGITAL TRANSISTOR		Q652		2SC3356-A(R25)	TRANSISTOR	
Q200		SSM3K15AMFV	FET		Q653		2SC3356-A(R25)	TRANSISTOR	
Q236		2SC5551AF	TRANSISTOR		Q654		2SC4617(R)	TRANSISTOR	
Q239		LTC043ZEBFS8	DIGITAL TRANSISTOR		Q663		2SC3356-A(R25)	TRANSISTOR	
Q263		2SK1740-4	FET		Q664		2SC3356-A(R25)	TRANSISTOR	
Q264		2SK1740-4	FET		Q665		2SC4617(R)	TRANSISTOR	
Q265		2SK1740-4	FET		Q666		2SC4617(R)	TRANSISTOR	
Q266		2SK1740-4	FET		Q667		2SK1824-A	FET	
Q267		2SB1694	TRANSISTOR		Q668		2SC4617(R)	TRANSISTOR	
Q268		RE1L002SN	FET		Q669		2SC4617(R)	TRANSISTOR	
Q269		LTC043ZEBFS8	DIGITAL TRANSISTOR		Q670		2SC4617(R)	TRANSISTOR	
Q270		2SB1694	TRANSISTOR		Q671		LTA014EEBFS8	DIGITAL TRANSISTOR	
Q271		2SB1694	TRANSISTOR		Q702		2SC4725	TRANSISTOR	
Q272		RE1L002SN	FET		Q721		2SC4726(P,Q)	TRANSISTOR	
Q273		LTC043ZEBFS8	DIGITAL TRANSISTOR		Q741		2SK1830F	FET	
Q274		2SB1694	TRANSISTOR		Q742		2SC3356-A	TRANSISTOR	
Q281		2SC5551AF	TRANSISTOR		Q781		SSM3K15AMFV	FET	
Q282		2SC5551AF	TRANSISTOR		Q782		SSM3K15AMFV	FET	
Q301		LTC043ZEBFS8	DIGITAL TRANSISTOR		Q783		2SC5551AF	TRANSISTOR	
Q302		LSCR523EBFS8	TRANSISTOR		Q784		DTB143EK	DIGITAL TRANSISTOR	
Q303		LSCR523EBFS8	TRANSISTOR		Q785		SSM3K15AMFV	FET	
Q305		LSCR523EBFS8	TRANSISTOR		Q802		SSM3K15AMFV	FET	
Q321		2SK1740-4	FET		Q803		2SC4617(R)	TRANSISTOR	
Q322		2SK1740-4	FET		Q804		2SC4617(R)	TRANSISTOR	
Q323		2SK1740-4	FET		Q861		LTC043ZEBFS8	DIGITAL TRANSISTOR	
Q324		2SK1740-4	FET		Q862		LTC043ZEBFS8	DIGITAL TRANSISTOR	
Q351		2SC5551AF	TRANSISTOR		Q903		LTC043ZEBFS8	DIGITAL TRANSISTOR	
Q352		2SC5551AF	TRANSISTOR		Q904		2SB1188(Q,R)	TRANSISTOR	
Q391		2SC5551AF	TRANSISTOR		Q905		LTC014EEBFS8	DIGITAL TRANSISTOR	
Q421		LTC014EEBFS8	DIGITAL TRANSISTOR		Q906		RE1L002SN	FET	
Q431		2SC3356-A	TRANSISTOR		Q907		2SB1188(Q,R)	TRANSISTOR	
Q451		2SC5551AF	TRANSISTOR		Q908		DTB143EK	DIGITAL TRANSISTOR	
Q453		LTC043ZEBFS8	DIGITAL TRANSISTOR		Q909		DTB143EK	DIGITAL TRANSISTOR	
Q454		LTC043ZEBFS8	DIGITAL TRANSISTOR		Q910		RE1L002SN	FET	
Q455		LTC043ZEBFS8	DIGITAL TRANSISTOR		Q911		LTC043ZEBFS8	DIGITAL TRANSISTOR	
					Q914		LTC043ZEBFS8	DIGITAL TRANSISTOR	

## PARTS LIST

### TX-RX-UNIT (XC1-024X-XX)

Ref.No	Address	Parts No.	Description	Desti-nation	Ref.No	Address	Parts No.	Description	Desti-nation
Q915		2SB1694	TRANSISTOR		R131		RK73GB2A103J	CHIP R	10K J 1/10W
Q916		SSM3K15AMFV	FET		R132		RK73GB2A103J	CHIP R	10K J 1/10W
Q917		2SB1694	TRANSISTOR		R133		RK73GB2A103J	CHIP R	10K J 1/10W
Q918		LTC043ZEBFS8	DIGITAL TRANSISTOR		R134		RK73GB2A103J	CHIP R	10K J 1/10W
Q919		2SB1694	TRANSISTOR		R135		RK73GB2A103J	CHIP R	10K J 1/10W
Q921		2SB1694	TRANSISTOR		R136		RK73GB2A103J	CHIP R	10K J 1/10W
Q922		SSM3K15AMFV	FET		R137		RK73GB2A103J	CHIP R	10K J 1/10W
Q924		SSM3K15AMFV	FET		R138		RK73GB2A103J	CHIP R	10K J 1/10W
Q925		LTC043ZEBFS8	DIGITAL TRANSISTOR		R139		RK73GB2A103J	CHIP R	10K J 1/10W
Q952		3SK264-5	FET		R140		RK73GB2A103J	CHIP R	10K J 1/10W
R11		RK73GB2A103J	CHIP R	10K J 1/10W	R141		RK73GB2A103J	CHIP R	10K J 1/10W
R12		RK73GB2A101J	CHIP R	100 J 1/10W	R142		RK73GB2A103J	CHIP R	10K J 1/10W
R13		RK73GB2A101J	CHIP R	100 J 1/10W	R143		RK73GB2A103J	CHIP R	10K J 1/10W
R14		RK73GB2A101J	CHIP R	100 J 1/10W	R144		RK73EB2E330J	CHIP R	33 J 1/4W
R15		RK73GB2A101J	CHIP R	100 J 1/10W	R145		RK73GB2A471J	CHIP R	470 J 1/10W
R16		RK73GB2A101J	CHIP R	100 J 1/10W	R146		RK73FB2B560J	CHIP R	56 J 1/8W
R17		RK73GB2A101J	CHIP R	100 J 1/10W	R147		RK73GB2A560J	CHIP R	56 J 1/10W
R21		RK73GB2A104J	CHIP R	100K J 1/10W	R148		RK73GB2A560J	CHIP R	56 J 1/10W
R22		RK73GB2A123J	CHIP R	12K J 1/10W	R149		RK73GB2A560J	CHIP R	56 J 1/10W
R23		RK73GB2A101J	CHIP R	100 J 1/10W	R150		RK73GB2A560J	CHIP R	56 J 1/10W
R24		RK73GB2A471J	CHIP R	470 J 1/10W	R151		RK73GB2A560J	CHIP R	56 J 1/10W
R25		RK73GB2A392J	CHIP R	3.9K J 1/10W	R152		RK73GB2A560J	CHIP R	56 J 1/10W
R26		RK73GB2A562J	CHIP R	5.6K J 1/10W	R153		RK73GB2A330J	CHIP R	33 J 1/10W
R27		RK73GB2A474J	CHIP R	470K J 1/10W	R154		RK73GB2A560J	CHIP R	56 J 1/10W
R28		RK73GB2A2R2J	CHIP R	2.2 J 1/10W	R155		RK73GB2A560J	CHIP R	56 J 1/10W
R29		RK73GB2A103J	CHIP R	10K J 1/10W	R156		RK73EB2E680J	CHIP R	68 J 1/4W
R30		RK73GB2A103J	CHIP R	10K J 1/10W	R157		RK73EB2E680J	CHIP R	68 J 1/4W
R31		RK73GB2A103J	CHIP R	10K J 1/10W	R158		RK73EB2E560J	CHIP R	56 J 1/4W
R32		RK73GB2A103J	CHIP R	10K J 1/10W	R159		RK73EB2E680J	CHIP R	68 J 1/4W
R33		RK73GB2A223J	CHIP R	22K J 1/10W	R160		RK73EB2E680J	CHIP R	68 J 1/4W
R34		RK73GB2A221J	CHIP R	220 J 1/10W	R161		RK73EB2E680J	CHIP R	68 J 1/4W
R35		RK73GB2A153J	CHIP R	15K J 1/10W	R162		RK73EB2E680J	CHIP R	68 J 1/4W
R36		RK73GB2A101J	CHIP R	100 J 1/10W	R163		RK73EB2E680J	CHIP R	68 J 1/4W
R37		RK73GB2A472J	CHIP R	4.7K J 1/10W	R164		RK73EB2E680J	CHIP R	68 J 1/4W
R38		RK73GB2A103J	CHIP R	10K J 1/10W	R165		RK73EB2E680J	CHIP R	68 J 1/4W
R39		RK73GB2A101J	CHIP R	100 J 1/10W	R166		RK73EB2E680J	CHIP R	68 J 1/4W
R40		RK73GB2A101J	CHIP R	100 J 1/10W	R167		RK73EB2E560J	CHIP R	56 J 1/4W
R41		RK73GB2A223J	CHIP R	22K J 1/10W	R168		RK73GB2A560J	CHIP R	56 J 1/10W
R42		RK73GB2A102J	CHIP R	1.0K J 1/10W	R169		RK73EB2E680J	CHIP R	68 J 1/4W
R43		RK73GB2A101J	CHIP R	100 J 1/10W	R170		RK73FB2B330J	CHIP R	33 J 1/8W
R44		RK73GB2A153J	CHIP R	15K J 1/10W	R171		RK73FB2B330J	CHIP R	33 J 1/8W
R51		RK73GB2A101J	CHIP R	100 J 1/10W	R172		RK73FB2B330J	CHIP R	33 J 1/8W
R52		RK73GB2A472J	CHIP R	4.7K J 1/10W	R173		RK73FB2B330J	CHIP R	33 J 1/8W
R101		RK73FB2B473J	CHIP R	47K J 1/8W	R174		RK73FB2B330J	CHIP R	33 J 1/8W
R102		RK73EB2E560J	CHIP R	56 J 1/4W	R175		RK73FB2B330J	CHIP R	33 J 1/8W
R103		RK73EB2E102J	CHIP R	1.0K J 1/4W	R176		RK73FB2B330J	CHIP R	33 J 1/8W
R104		RK73EB2E181J	CHIP R	180 J 1/4W	R177		RK73FB2B330J	CHIP R	33 J 1/8W
R105		RK73GB2A472J	CHIP R	4.7K J 1/10W	R178		RK73FB2B330J	CHIP R	33 J 1/8W
R106		RK73GB2A101J	CHIP R	100 J 1/10W	R179		RK73FB2B330J	CHIP R	33 J 1/8W
R107		RK73GB2A222J	CHIP R	2.2K J 1/10W	R180		RK73FB2B330J	CHIP R	33 J 1/8W
R108		RK73GB2A222J	CHIP R	2.2K J 1/10W	R181		RK73FB2B330J	CHIP R	33 J 1/8W
R109		RK73FB2B680J	CHIP R	68 J 1/8W	R182		RK73FB2B330J	CHIP R	33 J 1/8W
R110		RK73GB2A560J	CHIP R	56 J 1/10W	R212		RK73GB2A472J	CHIP R	4.7K J 1/10W
R111		RK73EB2E102J	CHIP R	1.0K J 1/4W	R213		RK73GB2A472J	CHIP R	4.7K J 1/10W

## PARTS LIST

TX-RX-UNIT (XC1-024X-XX)

Ref.No	Address	Parts No.	Description	Desti-nation	Ref.No	Address	Parts No.	Description	Desti-nation
R214		RK73GB2A472J	CHIP R 4.7K J 1/10W		R309		RK73GB2A222J	CHIP R 2.2K J 1/10W	
R215		RK73GB2A472J	CHIP R 4.7K J 1/10W		R310		RK73GB2A222J	CHIP R 2.2K J 1/10W	
R217		RK73GB2A472J	CHIP R 4.7K J 1/10W		R311		RK73GB2A103J	CHIP R 10K J 1/10W	
R218		RK73GB2A472J	CHIP R 4.7K J 1/10W		R312		RK73GB2A103J	CHIP R 10K J 1/10W	
R219		RK73GB2A472J	CHIP R 4.7K J 1/10W		R313		RK73GB2A471J	CHIP R 470 J 1/10W	
R220		RK73GB2A472J	CHIP R 4.7K J 1/10W		R314		RK73GB2A100J	CHIP R 10 J 1/10W	
R221		RK73GB2A100J	CHIP R 10 J 1/10W		R315		RK73GB2A471J	CHIP R 470 J 1/10W	
R222		RK73GB2A150J	CHIP R 15 J 1/10W		R321		RK73FB2B471J	CHIP R 470 J 1/8W	
R223		RK73GB2A104J	CHIP R 100K J 1/10W		R323		RK73GB2A681J	CHIP R 680 J 1/10W	
R231		RK73FB2B221J	CHIP R 220 J 1/8W		R324		RK73GB2A681J	CHIP R 680 J 1/10W	
R232		RK73GB2A682J	CHIP R 6.8K J 1/10W		R325		RK73GB2A100J	CHIP R 10 J 1/10W	
R235		RK73GB2A122J	CHIP R 1.2K J 1/10W		R326		RK73GB2A100J	CHIP R 10 J 1/10W	
R236		RK73GB2A471J	CHIP R 470 J 1/10W		R327		RK73GB2A271J	CHIP R 270 J 1/10W	
R237		RK73GB2A821J	CHIP R 820 J 1/10W		R329		RK73GB2A100J	CHIP R 10 J 1/10W	
R238		RK73GB2A120J	CHIP R 12 J 1/10W		R330		RK73GB2A100J	CHIP R 10 J 1/10W	
R239		RK73FB2B390J	CHIP R 39 J 1/8W		R331		RK73GB2A100J	CHIP R 10 J 1/10W	
R240		RK73GB2A151J	CHIP R 150 J 1/10W		R336		RK73GB2A331J	CHIP R 330 J 1/10W	
R241		RK73EB2E121J	CHIP R 120 J 1/4W		R337		RK73GB2A102J	CHIP R 1.0K J 1/10W	
R242		RK73EB2E121J	CHIP R 120 J 1/4W		R352		RK73EB2E471J	CHIP R 470 J 1/4W	
R243		RK73GB2A682J	CHIP R 6.8K J 1/10W		R355		RK73GB2A471J	CHIP R 470 J 1/10W	
R244		RK73GB2A562J	CHIP R 5.6K J 1/10W		R356		RK73GB2A151J	CHIP R 150 J 1/10W	
R245		RK73GB2A181J	CHIP R 180 J 1/10W		R357		RK73GB2A151J	CHIP R 150 J 1/10W	
R246		RK73GB2A820J	CHIP R 82 J 1/10W		R358		RK73GB2A8R2J	CHIP R 8.2 J 1/10W	
R247		RK73FB2B271J	CHIP R 270 J 1/8W		R359		RK73GB2A8R2J	CHIP R 8.2 J 1/10W	
R248		RK73FB2B221J	CHIP R 220 J 1/8W		R360		RK73EB2E100J	CHIP R 10 J 1/4W	
R249		RK73FB2B271J	CHIP R 270 J 1/8W		R361		RK73GB2A560J	CHIP R 56 J 1/10W	
R261		RK73FB2B471J	CHIP R 470 J 1/8W		R362		RK73GB2A121J	CHIP R 120 J 1/10W	
R263		RK73EB2E331J	CHIP R 330 J 1/4W		R363		RK73GB2A121J	CHIP R 120 J 1/10W	
R264		RK73EB2E331J	CHIP R 330 J 1/4W		R371		RK73GB2A331J	CHIP R 330 J 1/10W	
R265		RK73GB2A100J	CHIP R 10 J 1/10W		R372		RK73GB2A331J	CHIP R 330 J 1/10W	
R266		RK73GB2A100J	CHIP R 10 J 1/10W		R392		RK73GB2A471J	CHIP R 470 J 1/10W	
R267		RK73GB2A271J	CHIP R 270 J 1/10W		R393		RK73FB2B220J	CHIP R 22 J 1/8W	
R268		RK73GB2A000J	CHIP R 0.0 J 1/10W		R394		RK73GB2A101J	CHIP R 100 J 1/10W	
R269		RK73GB2A100J	CHIP R 10 J 1/10W		R395		RK73GB2A222J	CHIP R 2.2K J 1/10W	
R270		RK73GB2A100J	CHIP R 10 J 1/10W		R396		RK73GB2A681J	CHIP R 680 J 1/10W	
R271		RK73GB2A100J	CHIP R 10 J 1/10W		R397		RK73GB2A271J	CHIP R 270 J 1/10W	
R272		RK73GB2A821J	CHIP R 820 J 1/10W		R398		RK73GB2A180J	CHIP R 18 J 1/10W	
R273		RK73GB2A332J	CHIP R 3.3K J 1/10W		R399		RK73GB2A271J	CHIP R 270 J 1/10W	
R274		RK73GB2A182J	CHIP R 1.8K J 1/10W		R408		RK73GB2A471J	CHIP R 470 J 1/10W	
R275		RK73GB2A331J	CHIP R 330 J 1/10W		R421		RK73GB2A331J	CHIP R 330 J 1/10W	
R276		RK73GB2A470J	CHIP R 47 J 1/10W		R422		RK73GB2A271J	CHIP R 270 J 1/10W	
R281		RK73GB2A471J	CHIP R 470 J 1/10W		R423		RK73GB2A330J	CHIP R 33 J 1/10W	
R282		RK73GB2A561J	CHIP R 560 J 1/10W		R424		RK73GB2A221J	CHIP R 220 J 1/10W	
R283		RK73GB2A151J	CHIP R 150 J 1/10W		R431		RK73GB2A330J	CHIP R 33 J 1/10W	
R284		RK73GB2A681J	CHIP R 680 J 1/10W		R432		RK73GB2A124J	CHIP R 120K J 1/10W	
R285		RK73GB2A8R2J	CHIP R 8.2 J 1/10W		R433		RK73GB2A000J	CHIP R 0.0 J 1/10W	
R286		RK73GB2A8R2J	CHIP R 8.2 J 1/10W		R434		RK73GB2A100J	CHIP R 10 J 1/10W	
R287		RK73FB2B100J	CHIP R 10 J 1/8W		R436		RK73GB2A220J	CHIP R 22 J 1/10W	
R301		RK73GB2A101J	CHIP R 100 J 1/10W		R437		RK73GB2A220J	CHIP R 22 J 1/10W	
R304		RK73GB2A101J	CHIP R 100 J 1/10W		R438		RK73GB2A331J	CHIP R 330 J 1/10W	
R305		RK73GB2A101J	CHIP R 100 J 1/10W		R439		RK73GB2A180J	CHIP R 18 J 1/10W	
R306		RK73GB2A101J	CHIP R 100 J 1/10W		R440		RK73GB2A331J	CHIP R 330 J 1/10W	
R307		RK73GB2A103J	CHIP R 10K J 1/10W		R451		RK73EB2E471J	CHIP R 470 J 1/4W	
R308		RK73GB2A103J	CHIP R 10K J 1/10W		R452		RK73GB2A392J	CHIP R 3.9K J 1/10W	

## PARTS LIST

### TX-RX-UNIT (XC1-024X-XX)

Ref.No	Address	Parts No.	Description	Desti-nation	Ref.No	Address	Parts No.	Description	Desti-nation
R453		RK73GB2A152J	CHIP R 1.5K J 1/10W		R528		RK73GB2A103J	CHIP R 10K J 1/10W	
R454		RK73GB2A821J	CHIP R 820 J 1/10W		R529		RK73GB2A103J	CHIP R 10K J 1/10W	
R455		RK73GB2A220J	CHIP R 22 J 1/10W		R530		RK73GB2A561J	CHIP R 560 J 1/10W	
R457		RK73GB2A8R2J	CHIP R 8.2 J 1/10W		R531		RK73GB2A151J	CHIP R 150 J 1/10W	
R458		RK73GB2A103J	CHIP R 10K J 1/10W		R532		RK73GB2A821J	CHIP R 820 J 1/10W	
R460		RK73GB2A220J	CHIP R 22 J 1/10W		R533		RK73GB2A8R2J	CHIP R 8.2 J 1/10W	
R461		RK73GB2A330J	CHIP R 33 J 1/10W		R534		RK73GB2A8R2J	CHIP R 8.2 J 1/10W	
R462		RK73GB2A120J	CHIP R 12 J 1/10W		R535		RK73GB2A120J	CHIP R 12 J 1/10W	
R463		RK73GB2A331J	CHIP R 330 J 1/10W		R536		RK73GB2A122J	CHIP R 1.2K J 1/10W	
R464		RK73GB2A000J	CHIP R 0.0 J 1/10W		R537		RK73GB2A101J	CHIP R 100 J 1/10W	
R465		RK73GB2A000J	CHIP R 0.0 J 1/10W		R538		RK73GB2A331J	CHIP R 330 J 1/10W	
R466		RK73GB2A221J	CHIP R 220 J 1/10W		R539		RK73GB2A151J	CHIP R 150 J 1/10W	
R467		RK73GB2A472J	CHIP R 4.7K J 1/10W		R540		RK73GB2A471J	CHIP R 470 J 1/10W	
R468		RK73GB2A221J	CHIP R 220 J 1/10W		R542		RK73GB2A104J	CHIP R 100K J 1/10W	
R469		RK73GB2A271J	CHIP R 270 J 1/10W		R543		RK73GB2A104J	CHIP R 100K J 1/10W	
R470		RK73GB2A271J	CHIP R 270 J 1/10W		R544		RK73GB2A220J	CHIP R 22 J 1/10W	
R471		RK73GB2A391J	CHIP R 390 J 1/10W		R547		RK73GB2A471J	CHIP R 470 J 1/10W	
R472		RK73GB2A102J	CHIP R 1.0K J 1/10W		R548		RK73GB2A151J	CHIP R 150 J 1/10W	
R473		RK73GB2A102J	CHIP R 1.0K J 1/10W		R549		RK73GB2A390J	CHIP R 39 J 1/10W	
R477		RK73GB2A000J	CHIP R 0.0 J 1/10W		R550		RK73GB2A151J	CHIP R 150 J 1/10W	
R478		RK73GB2A000J	CHIP R 0.0 J 1/10W		R551		RK73GB2A471J	CHIP R 470 J 1/10W	
R479		RK73GB2A000J	CHIP R 0.0 J 1/10W		R552		RK73GB2A221J	CHIP R 220 J 1/10W	
R480		RK73GB2A000J	CHIP R 0.0 J 1/10W		R553		RK73GB2A221J	CHIP R 220 J 1/10W	
R481		RK73GB2A101J	CHIP R 100 J 1/10W		R554		RK73GB2A472J	CHIP R 4.7K J 1/10W	
R482		RK73GB2A101J	CHIP R 100 J 1/10W		R555		RK73GB2A472J	CHIP R 4.7K J 1/10W	
R483		RK73GB2A101J	CHIP R 100 J 1/10W		R556		RK73GB2A223J	CHIP R 22K J 1/10W	
R484		RK73GB2A101J	CHIP R 100 J 1/10W		R557		RK73GB2A183J	CHIP R 18K J 1/10W	
R485		RK73GB2A101J	CHIP R 100 J 1/10W		R558		RK73GB2A470J	CHIP R 47 J 1/10W	
R486		RK73GB2A000J	CHIP R 0.0 J 1/10W		R560		RK73GB2A563J	CHIP R 56K J 1/10W	
R487		RK73GB2A000J	CHIP R 0.0 J 1/10W		R571		RK73GB2A471J	CHIP R 470 J 1/10W	
R488		RK73GB2A000J	CHIP R 0.0 J 1/10W		R575		RK73GB2A103J	CHIP R 10K J 1/10W	
R489		RK73GB2A000J	CHIP R 0.0 J 1/10W		R576		RK73GB2A222J	CHIP R 2.2K J 1/10W	
R491		RK73GB2A391J	CHIP R 390 J 1/10W		R577		RK73GB2A152J	CHIP R 1.5K J 1/10W	
R492		RK73GB2A102J	CHIP R 1.0K J 1/10W		R578		RK73GB2A470J	CHIP R 47 J 1/10W	
R493		RK73GB2A102J	CHIP R 1.0K J 1/10W		R579		RK73GB2A270J	CHIP R 27 J 1/10W	
R496		RK73GB2A101J	CHIP R 100 J 1/10W		R583		RK73GB2A4R7J	CHIP R 4.7 J 1/10W	
R497		RK73GB2A101J	CHIP R 100 J 1/10W		R586		RK73GB2A471J	CHIP R 470 J 1/10W	
R498		RK73GB2A101J	CHIP R 100 J 1/10W		R590		RK73GB2A681J	CHIP R 680 J 1/10W	
R499		RK73GB2A101J	CHIP R 100 J 1/10W		R593		RK73GB2A471J	CHIP R 470 J 1/10W	
R500		RK73GB2A101J	CHIP R 100 J 1/10W		R595		RK73GB2A000J	CHIP R 0.0 J 1/10W	
R501		RK73GB2A472J	CHIP R 4.7K J 1/10W		R601		RK73GB2A681J	CHIP R 680 J 1/10W	
R502		RK73GB2A472J	CHIP R 4.7K J 1/10W		R603		RK73GB2A000J	CHIP R 0.0 J 1/10W	
R503		RK73GB2A102J	CHIP R 1.0K J 1/10W		R609		RK73GB2A334J	CHIP R 330K J 1/10W	
R504		RK73GB2A102J	CHIP R 1.0K J 1/10W		R610		RK73GB2A000J	CHIP R 0.0 J 1/10W	
R505		RK73GB2A103J	CHIP R 10K J 1/10W		R611		RK73GB2A223J	CHIP R 22K J 1/10W	
R506		RK73GB2A103J	CHIP R 10K J 1/10W		R612		RK73GB2A122J	CHIP R 1.2K J 1/10W	
R507		RK73GB2A103J	CHIP R 10K J 1/10W		R614		RK73GB2A273J	CHIP R 27K J 1/10W	
R508		RK73GB2A103J	CHIP R 10K J 1/10W		R615		RK73GB2A102J	CHIP R 1.0K J 1/10W	
R509		RK73GB2A103J	CHIP R 10K J 1/10W		R616		RK73GB2A104J	CHIP R 100K J 1/10W	
R520		RK73GB2A393J	CHIP R 39K J 1/10W		R617		RK73GB2A684J	CHIP R 680K J 1/10W	
R521		RK73FB2B331J	CHIP R 330 J 1/8W		R618		RK73GB2A103J	CHIP R 10K J 1/10W	
R525		RK73GB2A682J	CHIP R 6.8K J 1/10W		R620		RK73GB2A223J	CHIP R 22K J 1/10W	
R526		RK73GB2A103J	CHIP R 10K J 1/10W		R621		RK73GB2A473J	CHIP R 47K J 1/10W	
R527		RK73GB2A682J	CHIP R 6.8K J 1/10W		R622		RK73GB2A223J	CHIP R 22K J 1/10W	
					R623		RK73GB2A103J	CHIP R 10K J 1/10W	

## PARTS LIST

TX-RX-UNIT (XC1-024X-XX)

Ref.No	Address	Parts No.	Description	Desti-nation	Ref.No	Address	Parts No.	Description	Desti-nation
R624		RK73GB2A273J	CHIP R 27K J 1/10W		R695		RK73GB2A000J	CHIP R 0.0 J 1/10W	
R625		RK73GB2A223J	CHIP R 22K J 1/10W		R701		RK73GB2A000J	CHIP R 0.0 J 1/10W	
R626		RK73GB2A103J	CHIP R 10K J 1/10W		R702		RK73GB2A223J	CHIP R 22K J 1/10W	
R628		RK73GB2A273J	CHIP R 27K J 1/10W		R703		RK73GB2A392J	CHIP R 3.9K J 1/10W	
R629		RK73GB2A684J	CHIP R 680K J 1/10W		R705		RK73GB2A471J	CHIP R 470 J 1/10W	
R632		RK73GB2A103J	CHIP R 10K J 1/10W		R706		RK73GB2A471J	CHIP R 470 J 1/10W	
R633		RK73GB2A473J	CHIP R 47K J 1/10W		R707		RK73GB2A681J	CHIP R 680 J 1/10W	
R634		RK73GB2A473J	CHIP R 47K J 1/10W		R708		RK73GB2A101J	CHIP R 100 J 1/10W	
R635		RK73GB2A473J	CHIP R 47K J 1/10W		R709		RK73GB2A102J	CHIP R 1.0K J 1/10W	
R636		RK73GB2A473J	CHIP R 47K J 1/10W		R710		RK73GB2A224J	CHIP R 220K J 1/10W	
R640		RK73GB2A154J	CHIP R 150K J 1/10W		R711		RK73GB2A331J	CHIP R 330 J 1/10W	
R641		RK73GB2A000J	CHIP R 0.0 J 1/10W		R712		RK73GB2A102J	CHIP R 1.0K J 1/10W	
R642		RK73GB2A101J	CHIP R 100 J 1/10W		R713		RK73GB2A820J	CHIP R 82 J 1/10W	
R643		RK73GB2A471J	CHIP R 470 J 1/10W		R714		RK73GB2A471J	CHIP R 470 J 1/10W	
R644		RK73GB2A101J	CHIP R 100 J 1/10W		R715		RK73GB2A182J	CHIP R 1.8K J 1/10W	
R646		RK73GB2A000J	CHIP R 0.0 J 1/10W		R716		RK73GB2A151J	CHIP R 150 J 1/10W	
R648		RK73GB2A000J	CHIP R 0.0 J 1/10W		R717		RK73GB2A470J	CHIP R 47 J 1/10W	
R650		RK73GB2A221J	CHIP R 220 J 1/10W		R721		RK73GB2A102J	CHIP R 1.0K J 1/10W	
R651		RK73GB2A104J	CHIP R 100K J 1/10W		R722		RK73GB2A151J	CHIP R 150 J 1/10W	
R652		RK73GB2A221J	CHIP R 220 J 1/10W		R725		RK73GB2A332J	CHIP R 3.3K J 1/10W	
R653		RK73GB2A101J	CHIP R 100 J 1/10W		R726		RK73GB2A102J	CHIP R 1.0K J 1/10W	
R654		RK73GB2A101J	CHIP R 100 J 1/10W		R727		RK73GB2A102J	CHIP R 1.0K J 1/10W	
R655		RK73GB2A102J	CHIP R 1.0K J 1/10W		R728		RK73GB2A000J	CHIP R 0.0 J 1/10W	
R656		RK73GB2A473J	CHIP R 47K J 1/10W		R729		RK73GB2A560J	CHIP R 56 J 1/10W	
R657		RK73GB2A472J	CHIP R 4.7K J 1/10W		R730		RK73GB2A222J	CHIP R 2.2K J 1/10W	
R658		RK73GB2A101J	CHIP R 100 J 1/10W		R732		RK73GB2A104J	CHIP R 100K J 1/10W	
R659		RK73GB2A182J	CHIP R 1.8K J 1/10W		R734		RK73GB2A220J	CHIP R 22 J 1/10W	
R665		RK73GB2A221J	CHIP R 220 J 1/10W		R735		RK73GB2A471J	CHIP R 470 J 1/10W	
R666		RK73GB2A102J	CHIP R 1.0K J 1/10W		R736		RK73GB2A223J	CHIP R 22K J 1/10W	
R667		RK73GB2A222J	CHIP R 2.2K J 1/10W		R742		RK73GB2A331J	CHIP R 330 J 1/10W	
R668		RK73GB2A101J	CHIP R 100 J 1/10W		R744		RK73GB2A390J	CHIP R 39 J 1/10W	
R669		RK73GB2A472J	CHIP R 4.7K J 1/10W		R745		RK73GB2A100J	CHIP R 10 J 1/10W	
R670		RK73GB2A473J	CHIP R 47K J 1/10W		R746		RK73GB2A332J	CHIP R 3.3K J 1/10W	
R671		RK73GB2A223J	CHIP R 22K J 1/10W		R747		RK73GB2A182J	CHIP R 1.8K J 1/10W	
R672		RK73GB2A473J	CHIP R 47K J 1/10W		R748		RK73GB2A471J	CHIP R 470 J 1/10W	
R673		RK73GB2A683J	CHIP R 68K J 1/10W		R749		RK73GB2A103J	CHIP R 10K J 1/10W	
R674		RK73GB2A103J	CHIP R 10K J 1/10W		R750		RK73GB2A470J	CHIP R 47 J 1/10W	
R675		RK73GB2A223J	CHIP R 22K J 1/10W		R751		RK73GB2A471J	CHIP R 470 J 1/10W	
R676		RK73GB2A102J	CHIP R 1.0K J 1/10W		R753		RK73GB2A472J	CHIP R 4.7K J 1/10W	
R677		RK73GB2A473J	CHIP R 47K J 1/10W		R762		RK73GB2A101J	CHIP R 100 J 1/10W	
R678		RK73GB2A152J	CHIP R 1.5K J 1/10W		R763		RK73GB2A470J	CHIP R 47 J 1/10W	
R679		RK73GB2A472J	CHIP R 4.7K J 1/10W		R764		RK73EB2E820J	CHIP R 82 J 1/4W	
R680		RK73GB2A153J	CHIP R 15K J 1/10W		R765		RK73GB2A681J	CHIP R 680 J 1/10W	
R681		RK73GB2A103J	CHIP R 10K J 1/10W		R766		RK73GB2A102J	CHIP R 1.0K J 1/10W	
R682		RK73GB2A221J	CHIP R 220 J 1/10W		R767		RK73GB2A471J	CHIP R 470 J 1/10W	
R683		RK73GB2A333J	CHIP R 33K J 1/10W		R768		RK73GB2A102J	CHIP R 1.0K J 1/10W	
R684		RK73GB2A102J	CHIP R 1.0K J 1/10W		R769		RK73GB2A000J	CHIP R 0.0 J 1/10W	
R685		RK73GB2A563J	CHIP R 56K J 1/10W		R772		RK73GB2A471J	CHIP R 470 J 1/10W	
R686		RK73GB2A101J	CHIP R 100 J 1/10W		R777		RK73GB2A104J	CHIP R 100K J 1/10W	
R687		RK73GB2A681J	CHIP R 680 J 1/10W		R779		RK73GB2A103J	CHIP R 10K J 1/10W	
R689		RK73GB2A000J	CHIP R 0.0 J 1/10W		R780		RK73GB2A472J	CHIP R 4.7K J 1/10W	
R691		RK73GB2A473J	CHIP R 47K J 1/10W		R781		RK73GB2A104J	CHIP R 100K J 1/10W	
R692		RK73GB2A220J	CHIP R 22 J 1/10W		R782		RK73FB2B391J	CHIP R 390 J 1/8W	
R693		RK73GB2A000J	CHIP R 0.0 J 1/10W		R783		RK73GB2A103J	CHIP R 10K J 1/10W	
R694		RK73GB2A000J	CHIP R 0.0 J 1/10W						

## PARTS LIST

### TX-RX-UNIT (XC1-024X-XX)

Ref.No	Address	Parts No.	Description	Desti-nation	Ref.No	Address	Parts No.	Description	Desti-nation
R784		RK73GB2A103J	CHIP R 10K J 1/10W		R839		RK73GB2A101J	CHIP R 100 J 1/10W	
R785		RK73FB2B391J	CHIP R 390 J 1/8W		R840		RK73GB2A123J	CHIP R 12K J 1/10W	
R786		RK73GB2A6R8J	CHIP R 6.8 J 1/10W		R841		RK73GB2A100J	CHIP R 10 J 1/10W	
R787		RK73GB2A391J	CHIP R 390 J 1/10W		R842		RK73GB2A103J	CHIP R 10K J 1/10W	
R788		RK73GB2A4R7J	CHIP R 4.7 J 1/10W		R843		RK73GB2A100J	CHIP R 10 J 1/10W	
R789		RK73GB2A100J	CHIP R 10 J 1/10W		R844		RK73GB2A104J	CHIP R 100K J 1/10W	
R790		RK73GB2A471J	CHIP R 470 J 1/10W		R845		RK73GB2A183J	CHIP R 18K J 1/10W	
R791		RK73GB2A102J	CHIP R 1.0K J 1/10W		R846		RK73GB2A333J	CHIP R 33K J 1/10W	
R792		RK73GB2A471J	CHIP R 470 J 1/10W		R847		RK73GB2A104J	CHIP R 100K J 1/10W	
R793		RK73GB2A151J	CHIP R 150 J 1/10W		R848		RK73GB2A123J	CHIP R 12K J 1/10W	
R794		RK73GB2A471J	CHIP R 470 J 1/10W		R849		RK73GB2A224J	CHIP R 220K J 1/10W	
R795		RK73GB2A124J	CHIP R 120K J 1/10W		R850		RK73GB2A333J	CHIP R 33K J 1/10W	
R796		RK73GB2A184J	CHIP R 180K J 1/10W		R851		RK73GB2A334J	CHIP R 330K J 1/10W	
R797		RK73GB2A563J	CHIP R 56K J 1/10W		R859		RK73GB2A333J	CHIP R 33K J 1/10W	
R798		RK73GB2A154J	CHIP R 150K J 1/10W		R860		RK73GB2A103J	CHIP R 10K J 1/10W	
R799		RK73FB2B221J	CHIP R 220 J 1/8W		R862		RK73GB2A102J	CHIP R 1.0K J 1/10W	
R800		RK73FB2B102J	CHIP R 1.0K J 1/8W		R863		RK73GB2A474J	CHIP R 470K J 1/10W	
R801		RK73GB2A102J	CHIP R 1.0K J 1/10W		R864		RK73GB2A183J	CHIP R 18K J 1/10W	
R802		RK73GB2A473J	CHIP R 47K J 1/10W		R865		RK73GB2A000J	CHIP R 0.0 J 1/10W	
R803		RK73GB2A224J	CHIP R 220K J 1/10W		R866		RK73GB2A223J	CHIP R 22K J 1/10W	
R804		RK73GB2A472J	CHIP R 4.7K J 1/10W		R867		RK73GB2A000J	CHIP R 0.0 J 1/10W	
R805		RK73GB2A000J	CHIP R 0.0 J 1/10W		R868		RK73GB2A473J	CHIP R 47K J 1/10W	
R806		RK73GB2A224J	CHIP R 220K J 1/10W		R869		RK73GB2A103J	CHIP R 10K J 1/10W	
R807		RK73GB2A332J	CHIP R 3.3K J 1/10W		R870		RK73GB2A104J	CHIP R 100K J 1/10W	
R808		RK73GB2A104J	CHIP R 100K J 1/10W		R871		RK73GB2A224J	CHIP R 220K J 1/10W	
R809		RK73GB2A222J	CHIP R 2.2K J 1/10W		R872		RK73GB2A104J	CHIP R 100K J 1/10W	
R810		RK73GB2A563J	CHIP R 56K J 1/10W		R873		RK73GB2A273J	CHIP R 27K J 1/10W	
R811		RK73GB2A473J	CHIP R 47K J 1/10W		R874		RK73GB2A222J	CHIP R 2.2K J 1/10W	
R813		RK73GB2A104J	CHIP R 100K J 1/10W		R875		RK73GB2A182J	CHIP R 1.8K J 1/10W	
R814		RK73GB2A104J	CHIP R 100K J 1/10W		R876		RK73GB2A394J	CHIP R 390K J 1/10W	
R815		RK73GB2A823J	CHIP R 82K J 1/10W		R877		RK73GB2A333J	CHIP R 33K J 1/10W	
R816		RK73GB2A000J	CHIP R 0.0 J 1/10W		R878		RK73GB2A184J	CHIP R 180K J 1/10W	
R817		RK73GB2A822J	CHIP R 8.2K J 1/10W		R879		RK73GB2A224J	CHIP R 220K J 1/10W	
R818		RK73GB2A104J	CHIP R 100K J 1/10W		R880		RK73GB2A101J	CHIP R 100 J 1/10W	
R819		RK73GB2A471J	CHIP R 470 J 1/10W		R881		RK73GB2A104J	CHIP R 100K J 1/10W	
R820		RK73GB2A103J	CHIP R 10K J 1/10W		R901		RK73GB2A102J	CHIP R 1.0K J 1/10W	
R821		RK73GB2A473J	CHIP R 47K J 1/10W		R902		RK73GB2A102J	CHIP R 1.0K J 1/10W	
R822		RK73GB2A471J	CHIP R 470 J 1/10W		R903		RK73GB2A103J	CHIP R 10K J 1/10W	
R823		RK73GB2A471J	CHIP R 470 J 1/10W		R905		RK73GB2A102J	CHIP R 1.0K J 1/10W	
R824		RK73GB2A103J	CHIP R 10K J 1/10W		R906		RK73GB2A102J	CHIP R 1.0K J 1/10W	
R825		RK73GB2A224J	CHIP R 220K J 1/10W		R907		RK73GB2A473J	CHIP R 47K J 1/10W	
R826		RK73GB2A473J	CHIP R 47K J 1/10W		R908		RK73GB2A473J	CHIP R 47K J 1/10W	
R827		RK73GB2A100J	CHIP R 10 J 1/10W		R909		RK73GB2A473J	CHIP R 47K J 1/10W	
R828		RK73GB2A105J	CHIP R 1.0M J 1/10W		R910		RK73GB2A103J	CHIP R 10K J 1/10W	
R829		RK73GB2A124J	CHIP R 120K J 1/10W		R911		RK73GB2A103J	CHIP R 10K J 1/10W	
R830		RK73GB2A333J	CHIP R 33K J 1/10W		R917		RK73GB2A472J	CHIP R 4.7K J 1/10W	
R831		RK73GB2A331J	CHIP R 330 J 1/10W		R918		RK73GB2A472J	CHIP R 4.7K J 1/10W	
R832		RK73GB2A331J	CHIP R 330 J 1/10W		R919		RK73GB2A682J	CHIP R 6.8K J 1/10W	
R833		RK73GB2A104J	CHIP R 100K J 1/10W		R920		RK73GB2A682J	CHIP R 6.8K J 1/10W	
R834		RK73GB2A102J	CHIP R 1.0K J 1/10W		R922		RK73GB2A471J	CHIP R 470 J 1/10W	
R835		RK73GB2A104J	CHIP R 100K J 1/10W		R923		RK73GB2A103J	CHIP R 10K J 1/10W	
R836		RK73GB2A153J	CHIP R 15K J 1/10W		R924		RK73GB2A102J	CHIP R 1.0K J 1/10W	
R837		RK73GB2A104J	CHIP R 100K J 1/10W		R925		RK73GB2A473J	CHIP R 47K J 1/10W	
R838		RK73GB2A104J	CHIP R 100K J 1/10W		R927		RK73GB2A000J	CHIP R 0.0 J 1/10W	
					R940		RK73GB2A103J	CHIP R 10K J 1/10W	

## PARTS LIST

TX-RX-UNIT (XC1-024X-XX)

Ref.No	Address	Parts No.	Description	Destination
R941		RK73GB2A472J	CHIP R 4.7K J 1/10W	
R942		RK73GB2A473J	CHIP R 47K J 1/10W	
R943		RK73GB2A472J	CHIP R 4.7K J 1/10W	
R968		RK73GB2A471J	CHIP R 470 J 1/10W	
R970		RK73GB2A222J	CHIP R 2.2K J 1/10W	
R971		RK73GB2A470J	CHIP R 47 J 1/10W	
R972		RK73GB2A000J	CHIP R 0.0 J 1/10W	
R973		RK73GB2A470J	CHIP R 47 J 1/10W	
R974		RK73GB2A000J	CHIP R 0.0 J 1/10W	
R975		RK73GB2A222J	CHIP R 2.2K J 1/10W	
R976		RK73GB2A473J	CHIP R 47K J 1/10W	
R977		RK73GB2A184J	CHIP R 180K J 1/10W	
R979		RK73GB2A472J	CHIP R 4.7K J 1/10W	
R980		RK73GB2A471J	CHIP R 470 J 1/10W	
R981		RK73GB2A821J	CHIP R 820 J 1/10W	
R991		RK73GB2A000J	CHIP R 0.0 J 1/10W	K
R993		RK73GB2A000J	CHIP R 0.0 J 1/10W	E
TC101		C05-0379-05	CERAMIC TRIMMER CAPACITOR(30P)	E
TC102		C05-0379-05	CERAMIC TRIMMER CAPACITOR(30P)	E
TC105		C05-0378-05	CERAMIC TRIMMER CAPACITOR(20P)	
TC136		C05-0379-05	CERAMIC TRIMMER CAPACITOR(30P)	
TH421		157-101-65001	NEGATIVE TEMP THERMISTOR	
TH460		157-101-65001	NEGATIVE TEMP THERMISTOR	
TH531		157-101-65001	NEGATIVE TEMP THERMISTOR	
TH591		NCP18WB473JOS	NEGATIVE TEMP THERMISTOR	
TH592		NCP18WB473JOS	NEGATIVE TEMP THERMISTOR	
TH701		157-302-65801	NEGATIVE TEMP THERMISTOR	
TH702		157-102-65001	NEGATIVE TEMP THERMISTOR	
TH703		157-102-65001	NEGATIVE TEMP THERMISTOR	
VR261		R32-0346-05	SEMI FIXED VARIABLE RESISTOR	
VR321		R32-0346-05	SEMI FIXED VARIABLE RESISTOR	
XF301		L71-0656-15	MCF (11.374M)	
XF371		L71-0605-05	MCF (73.095M)	
XF471		L71-0664-05	MCF (10.695MHZ)	
XF472		L71-0230-15	MCF (10695K)	
XF473		L71-0569-15	CRYSTAL FILTER (10.695M)	
XF474		L71-0657-05	CRYSTAL FILTER (11.374M)	
XF475		L7B-0002-00	CRYSTAL FILTER	