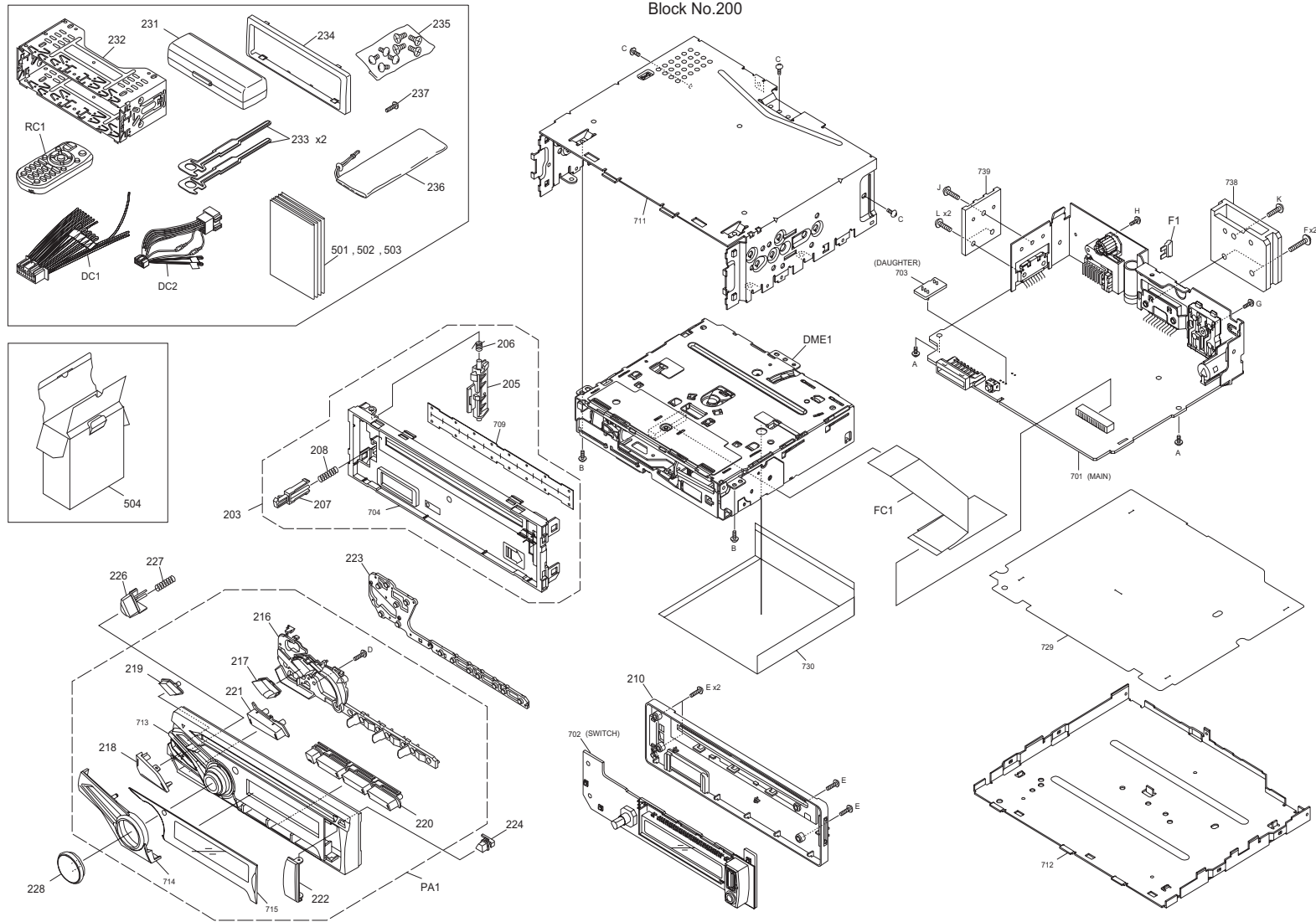


EXPLODED VIEW (UNIT)



Parts with the exploded numbers larger than 700 are not supplied.

MODEL	MARK	MODEL	MARK	MODEL	MARK	MODEL	MARK
KDC-105U	K1	KDC-3157UAM	M9	KDC-3257UGM	M8	KDC-3357URM	M7
KDC-MP105U	K0	KDC-U3056	M5	KDC-U31R	E1	KDC-U356A	M2
KDC-U356B	M3	KDC-U356G	M1	KDC-U356G	H1	KDC-U356R	M0
KDC-U356S	M4	KDC-U4056	C1	KDC-U41R	E2	KDC-U456	M6

Safe	Symbol No.	Parts No.	Parts Name	Description	QTY	Local
------	------------	-----------	------------	-------------	-----	-------

EXPLODED VIEW (UNIT) <200>

	DC1	QAM1335-001	DC CORD		1	K1
	DC1	QAM1341-001	DC CORD		1	K0,M5,M2,M3,M1,H1,M0,M4,C1,M6
	DC2	QAM1339-002	DC CORD		1	M9,M8,M7,E1,E2
	DME1	X92-6740-00	MECHANISM ASSY (HCS-1100W)	HCS-1100W	1	
△	F1	QMFZ064-100-J1	FUSE	10A	1	
	FC1	WJT0277-001A-E	E-CARD WIRE		1	
	PA1	GE20326-007A	F. PANEL ASSY		1	K1
	PA1	GE20326-013A	F. PANEL ASSY		1	M9
	PA1	GE20326-012A	F. PANEL ASSY		1	M8
	PA1	GE20326-005A	F. PANEL ASSY		1	M7
	PA1	GE20326-008A	F. PANEL ASSY		1	K0
	PA1	GE20326-004A	F. PANEL ASSY		1	M5
	PA1	GE20326-010A	F. PANEL ASSY		1	E1
	PA1	GE20326-002A	F. PANEL ASSY		1	M2,M3,M1,H1,M0
	PA1	GE20326-003A	F. PANEL ASSY		1	M4
	PA1	GE20326-006A	F. PANEL ASSY		1	C1
	PA1	GE20326-009A	F. PANEL ASSY		1	E2
	PA1	GE20326-001A	F. PANEL ASSY		1	M6
	RC1	QAL1303-004	REMOTE CONTROL UNIT (RC-406)	RC-406	1	K1,K0,M5,M2,M3,M1,H1,M0,M4,M6
	A	GE40377-002A	SCREW		2	
	B	QYSDST2604ZA	TAP SCREW	M2.6 x 4mm	2	
	C	QYSDST2606ZA	TAP SCREW	M2.6 x 6mm	3	
	D	QYSPSF2006ZA	TAP SCREW	M2 x 6mm	1	
	E	QYSPSF2008ZA	TAP SCREW	M2 x 8mm	4	
	F	GE40377-005A	SPECIAL SCREW		2	
	G	QYSDSF2608ZA	TAP SCREW	M2.6 x 8mm	1	
	H	QYSDSG3006ZA	TAP SCREW	M3 x 6mm	1	
	J	QYSDST2608ZA	TAP SCREW	M2.6 x 8mm	1	
	K	QYSDST2610ZA	TAP SCREW	M2.6 x 10mm	1	
	L	GE40662-001A	SPECIAL SCREW		2	
	203	GE35081-001A	F.CHASSIS ASSY		1	
	205	GE35078-001A	LOCK LEVER		1	
	206	GE40504-001A	SPRING		1	
	207	GE35079-001A	RELEASE LEVER		1	
	208	GE40505-001A	SPRING		1	
	210	GE10357-001A	REAR COVER		1	
	216	GE10355-001A	LIGHT GUIDE (USB)		1	
	217	GE35105-001A	BUTTON (AUD)		1	
	218	GE35106-001A	SEARCH BTN		1	
	219	GE35104-001A	SRC BUTTON		1	
	220	GE20327-001A	PRESET BTN		1	
	221	GE35107-001A	FORWARD BTN		1	
	222	GE35089-001A	USB DOOR COVER		1	
	223	GE20328-001A	CONDUCT. RUBBER		1	
	224	GE35088-001A	EJECT BUTTON		1	
	226	GE35111-001A	DETACH BUTTON		1	
	227	GE40505-003A	SPRING		1	
	228	GE40638-002A	VOL KNOB RUBBER		1	K1,K0
	228	GE40638-003A	VOL KNOB RUBBER		1	M9,M8,M7,M5
	228	GE40638-004A	VOL KNOB RUBBER		1	E1,E2
	228	GE40638-001A	VOL KNOB RUBBER		1	M2,M3,M1,H1,M0,M4,C1,M6
	231	GE34332-002A	HARD CASE ASSY		1	M5,M2,M3,M1,H1,M0,M4,M6
	232	GE34826-002A	M.SLEEVE ASSY		1	
	233	GE40578-002A	HOOK		2	
	234	GE20291-001A	TRIM PLATE		1	
	235	GE40536-001A	SCREW SET		1	K1,K0,M5,M2,M3,M1,H1,M0,M4,C1,M6
	236	GE40521-001A	CARRYING CASE		1	K0,E1,E2
	237	QYSPSF2008MA	TAP SCREW	M2 x 8mm	1	K1,K0,M5,M2,M3,M1,H1,M0,M4,C1,M6
	501	GET0851-001A	INST BOOK	ENG ARA	1	M9,M8,M7,M5,M2,M3,M1,H1,M0,M4,M6
	502	GET0853-001A	INST BOOK	ENG FRE SPA	1	K1,K0
	502	GET0854-001A	INST BOOK	ENG GER RUS UKR	1	E1,E2
	502	GET0852-001A	INST BOOK	CHINESE	1	C1
	503	GET0854-002A	INST BOOK	FRE DUT ITA SPA POR	1	E1,E2
	504	GE35249-001A	INNER CARTON		1	K1
	504	GE35255-001A	INNER CARTON		1	M9
	504	GE35229-001A	INNER CARTON		1	M8
	504	GE35253-001A	INNER CARTON		1	M7
	504	GE35247-002A	INNER CARTON		1	K0
	504	GE35225-001A	INNER CARTON		1	M5
	504	GE35251-001A	INNER CARTON		1	E1
	504	GE35223-001A	INNER CARTON		1	M2
	504	GE35237-001A	INNER CARTON		1	M3
	504	GE35235-001A	INNER CARTON		1	M1,H1
	504	GE35233-001A	INNER CARTON		1	M0
	504	GE35239-001A	INNER CARTON		1	M4
	504	GE35241-001A	INNER CARTON		1	C1
	504	GE35227-001A	INNER CARTON		1	E2
	504	GE35221-001A	INNER CARTON		1	M6

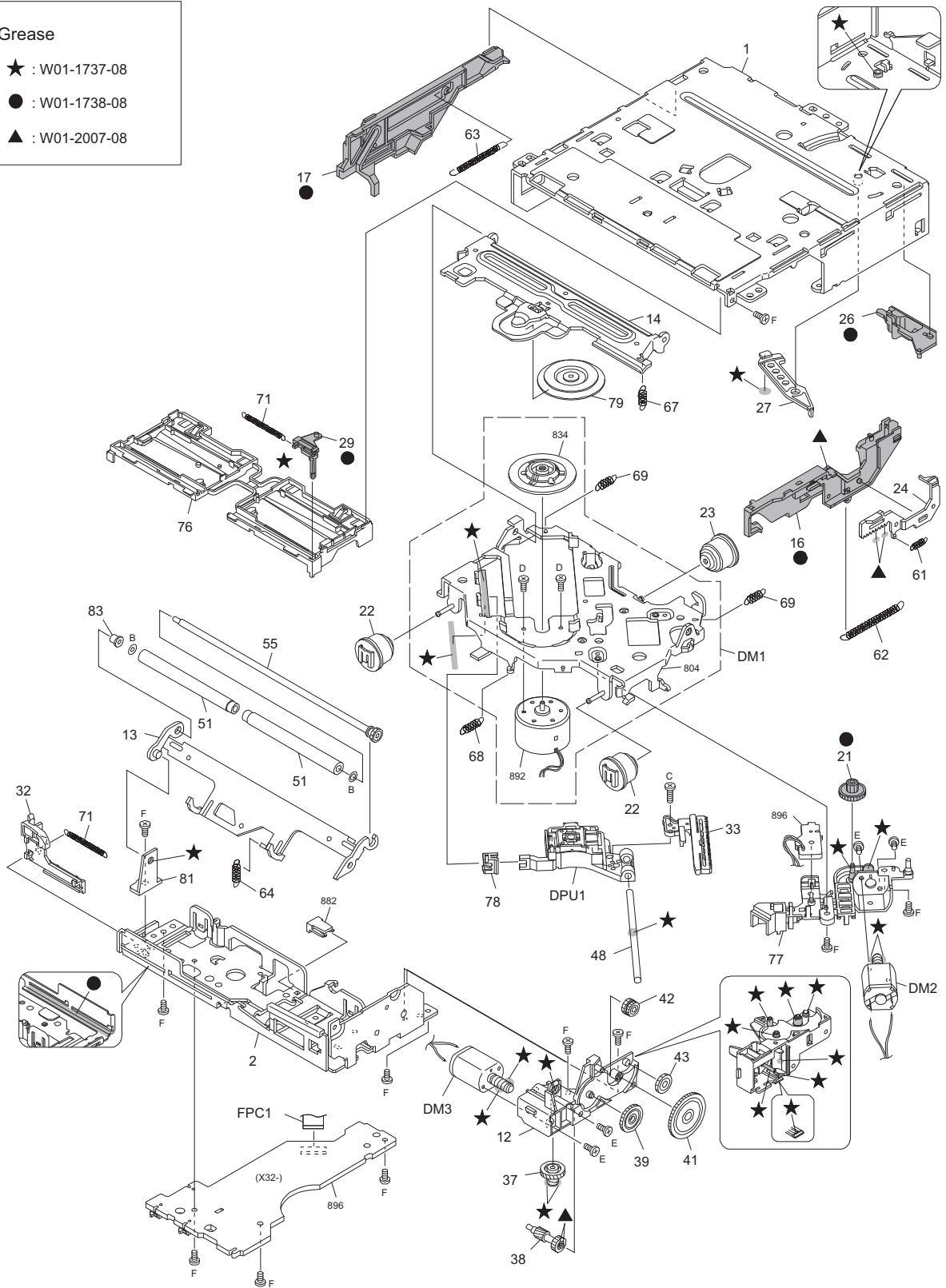
EXPLODED VIEW (CD MECHANISM)

Block No.130

HCS-1100W

Grease

- ★ : W01-1737-08
- : W01-1738-08
- ▲ : W01-2007-08



Parts with the exploded numbers larger than 800 are not supplied.

MODEL	MARK	MODEL	MARK	MODEL	MARK	MODEL	MARK
KDC-105U	K1	KDC-3157UAM	M9	KDC-3257UGM	M8	KDC-3357URM	M7
KDC-MP105U	K0	KDC-U3056	M5	KDC-U31R	E1	KDC-U356A	M2
KDC-U356B	M3	KDC-U356G	M1	KDC-U356G	H1	KDC-U356R	M0
KDC-U356S	M4	KDC-U4056	C1	KDC-U41R	E2	KDC-U456	M6

Safe	Symbol No.	Parts No.	Parts Name	Description	QTY	Local
------	------------	-----------	------------	-------------	-----	-------

EXPLODED VIEW (CD MECHANISM) <130>

DM1	X94-2150-00	SPINDLE MOTOR ASSY		1
DM2	X94-2160-00	FEED MOTOR ASSY		1
DM3	X94-2170-00	LOADING MOTOR ASSY		1
DPU1	QAL1226-001	PICK UP		1
FPC1	QAL0817-003	FPC		1
B	LV45449-001A	WASHER		2
C	QYSPSGT1745ZA	TAP SCREW	M1.7 x 4.5mm	1
D	LV45568-001A	MINI SCREW		2
E	QYSPSPT2025MA	SCREW	M2 x 2.5mm	4
F	VKZ4539-054	MINI SCREW		11
1	LV11685-503A	TOP FRAME		1
2	LV11686-501A	BOTTOM FRAME		1
12	LV11688-501A	LOADING BASE		1
13	LV11690-501A	ROLLER ARM		1
14	LV22825-502A	HC CLAMPER BASE		1
16	LV22826-502A	LOAD CAM		1
17	LV22827-501A	FL SLIDER(L)		1
21	LV36815-501A	F WHEEL GEAR		1
22	LV36904-001A	DAMPER		2
23	LV37061-001A	DAMPER		1
24	LV38951-501A	TRIGGER RACK		1
26	LV38952-501A	FL SLIDER(B)		1
27	LV38953-501A	TRIGGER PLATE		1
29	LV38957-501A	SW SLIDER(R)		1
32	LV39496-502A	SW ACTUATOR (2)		1
33	LV38960-501A	FEED RACK		1
37	LV38964-501A	D.WHEEL GEAR		1
38	LV38965-501A	ACT GEAR(1)		1
39	LV38966-501A	ACT GEAR(2)		1
41	LV38967-501A	ACT GEAR(3)		1
42	LV38968-501A	ROLLER ACT GEAR		1
43	LV38969-501A	DRIVE GEAR		1
48	LV44555-001A	MAIN SHAFT		1
51	LV45424-001A	HC ROLLER		2
55	X94-2190-00	ROLLER SHAFT ASSY		1
61	LV45415-501A	TRIGGER SPRING		1
62	LV45416-501A	LOAD CAM SPRING		1
63	LV45417-501A	FL SLIDER SPRING		1
64	LV45418-501A	R.ARM SPRING		1
67	LV45421-501A	HC CL SPRING		1
68	LV45422-501A	SUS SPRING(F)		1
69	LV45423-501A	SUS SPRING(B)		2
71	LV45505-502A	SW ACT SPRING		2
76	LV11689-501A	DISC GUIDE		1
77	LV22828-501A	FEED BRACKET		1
78	LV36813-501A	SUB GUIDE CAP		1
79	LV36819-502A	CLAMPER		1
81	LV38954-501A	R.ARM GUIDE		1
83	LV45648-501A	RA COLLAR (L) 2		1

MODEL	MARK	MODEL	MARK	MODEL	MARK	MODEL	MARK
KDC-105U	K1	KDC-3157UAM	M9	KDC-3257UGM	M8	KDC-3357URM	M7
KDC-MP105U	K0	KDC-U3056	M5	KDC-U31R	E1	KDC-U356A	M2
KDC-U356B	M3	KDC-U356G	M1	KDC-U356G	H1	KDC-U356R	M0
KDC-U356S	M4	KDC-U4056	C1	KDC-U41R	E2	KDC-U456	M6

Safe	Symbol No.	Parts No.	Parts Name	Description	QTY	Local
------	------------	-----------	------------	-------------	-----	-------

ELECTRIC UNIT (X34-742x-xx) <X34>

△	IC1	TEF6614TV1S4-X	IC(ANALOGUE)		1	K1,K0,M5,M2,M3,M1,M0,M4,C1,M6
△	IC1	TEF6614TV1S3-X	IC(ANALOGUE)		1	M9,M8,M7,E1,H1,E2
	IC161	TDA7718B-X	IC(ANALOGUE)		1	K1,M9,M8,M7,K0,M5,E1,M2,M3,M1,H1,M0,M4,C1,E2
	IC161	TDA7720B-X	IC(ANALOGUE)		1	M6
△	IC301	TB2931HQ	IC(ANALOGUE)	25PIN 1.0MM PITCH	1	
△	IC501	LV8281VR-X	IC(MOS-IC)		1	
	IC530	BU33TD3WG-W	IC(ANALOGUE)		1	
	IC531	BU15TD3WG-W	IC(ANALOGUE)		1	
	IC532	BU15TD3WG-W	IC(ANALOGUE)		1	
△	IC540	JCV8022	IC(MOS-IC)		1	
△	IC701	W10-0825-08	IC(MCU)		1	K1,K0,M5,M2,M3,M1,H1,M0,M4,C1
△	IC701	W10-0826-08	IC(MCU)		1	M9,M8,M7,E1,E2,M6
	IC702	BU4828F-W	IC(MOS-IC)		1	
	IC771	BR24T02FJ-W-X	IC(ROM)		1	
△	IC901	LV5680NPVC	IC(ANALOGUE)		1	
	IC931	XC6213B332NG-X	IC(ANALOGUE)		1	
	IC981	BD9673EFJ-X	IC(MOS-IC)		1	
	Q251	IMX9-W	PAIR TRANSISTOR		1	M6
	Q321	IMX9-W	PAIR TRANSISTOR		1	
	Q341	IMX9-W	PAIR TRANSISTOR		1	M9,M8,M7,K0,M5,M2,M3,M1,H1,M0,M4,M6
	Q540	2SA2188/F-X	TRANSISTOR		1	
	Q701	LTA014YUB-X	DIGI TRANSISTOR		1	
	Q780	LTA024EUB-X	DIGI TRANSISTOR		1	
	Q781	LTC024EUB-X	DIGI TRANSISTOR		1	
	Q782	LTA024EUB-X	DIGI TRANSISTOR		1	
	Q951	2SA812/5-6/-X	TRANSISTOR		1	
	Q952	LTC044EUB-X	DIGI TRANSISTOR		1	
	Q970	LSCR523UB-X	TRANSISTOR		1	
	Q971	LSCR523UB-X	TRANSISTOR		1	
	D9	NAF0029-002X	ESD SUPPRESSOR		1	
	D100	RKZ6.2B2KG-X	Z DIODE		1	
	D101	RKZ6.2B2KG-X	Z DIODE		1	
	D110	RKZ6.2B2KG-X	Z DIODE		1	
	D111	RKZ6.2B2KG-X	Z DIODE		1	
	D251	BAW56-TP-X	SI DIODE		1	M6
	D321	BAW56-TP-X	SI DIODE		1	
	D341	BAW56-TP-X	SI DIODE		1	M9,M8,M7,K0,M5,M2,M3,M1,H1,M0,M4,M6
	D502	GS1J-LTP-X	SI DIODE		1	
	D540	RKS801KF-X	SI DIODE		1	
	D704	RKZ6.2B2KG-X	Z DIODE		1	
	D780	BAW56-TP-X	SI DIODE		1	
	D781	BAW56-TP-X	SI DIODE		1	
	D782	RKS801KF-X	SI DIODE		1	
	D783	BAW56-TP-X	SI DIODE		1	
	D851	MBRX130-TP-X	SB DIODE		1	M9,M8,M7,M5,E1,M2,M3,M1,H1,M0,M4,C1,E2,M6
	D852	MBRX130-TP-X	SB DIODE		1	M9,M8,M7,M5,E1,M2,M3,M1,H1,M0,M4,C1,E2,M6
	D891	BAW56-TP-X	SI DIODE		1	
△	D901	1N5401-BPC04	SI DIODE		1	
	D902	MBRX130-TP-X	SB DIODE		1	
	D941	MBRX130-TP-X	SB DIODE		1	
	D942	MBRX130-TP-X	SB DIODE		1	
	D970	RKZ6.8B2KG-X	Z DIODE		1	
	D971	RKZ6.8B2KG-X	Z DIODE		1	
	D981	DB22306-X	SB DIODE		1	
	C1	NCB31HK-102X	C CAPACITOR	1000pF 50V K	1	
	C2	NDC31HJ-7R0X	C CAPACITOR	7pF 50V J	1	K1,M9,M8,M7,K0,E1,E2
	C2	NDC31HJ-4R0X	C CAPACITOR	4pF 50V J	1	M5,M2,M3,M1,H1,M0,M4,C1,M6
	C3	NCB31HK-102X	C CAPACITOR	1000pF 50V K	1	
	C4	NCB31CK-224X	C CAPACITOR	0.22uF 16V K	1	
	C5	NDC31HJ-150X	C CAPACITOR	15pF 50V J	1	
	C6	NDC31HJ-6R0X	C CAPACITOR	6pF 50V J	1	K1,M9,M8,M7,K0,E1,E2
	C6	NDC31HJ-4R0X	C CAPACITOR	4pF 50V J	1	M5,M2,M3,M1,H1,M0,M4,C1,M6
	C7	NDC31HJ-270X	C CAPACITOR	27pF 50V J	1	
	C10	NCB21CK-105X	C CAPACITOR	1uF 16V K	1	
	C11	NCB31HK-103X	C CAPACITOR	0.01uF 50V K	1	
	C12	NCB31HK-103X	C CAPACITOR	0.01uF 50V K	1	
	C13	NCB21CK-105X	C CAPACITOR	1uF 16V K	1	
	C14	NCB31CK-224X	C CAPACITOR	0.22uF 16V K	1	
	C15	NCB31HK-104X	C CAPACITOR	0.1uF 50V K	1	
	C16	NCB31HK-103X	C CAPACITOR	0.01uF 50V K	1	
	C17	NCB31HK-104X	C CAPACITOR	0.1uF 50V K	1	
	C18	NCB31HK-103X	C CAPACITOR	0.01uF 50V K	1	
	C19	NCB31HK-104X	C CAPACITOR	0.1uF 50V K	1	
	C20	NDC31HJ-120X	C CAPACITOR	12pF 50V J	1	
	C21	NCB31HK-104X	C CAPACITOR	0.1uF 50V K	1	
	C22	NCB31HK-104X	C CAPACITOR	0.1uF 50V K	1	
	C23	NCB31HK-104X	C CAPACITOR	0.1uF 50V K	1	
	C24	QEKJ1CM-107Z	E CAPACITOR	100uF 16V M	1	
	C26	NDC31HJ-471X	C CAPACITOR	470pF 50V J	1	
	C27	NDC31HJ-2R0X	C CAPACITOR	2pF 50V J	1	K1,M9,M8,M7,K0,E1,E2

MODEL	MARK	MODEL	MARK	MODEL	MARK	MODEL	MARK
KDC-105U	K1	KDC-3157UAM	M9	KDC-3257UGM	M8	KDC-3357URM	M7
KDC-MP105U	K0	KDC-U3056	M5	KDC-U31R	E1	KDC-U356A	M2
KDC-U356B	M3	KDC-U356G	M1	KDC-U356G	H1	KDC-U356R	M0
KDC-U356S	M4	KDC-U4056	C1	KDC-U41R	E2	KDC-U456	M6

Safe	Symbol No.	Parts No.	Parts Name	Description	QTY	Local
	C28	NDC31HJ-100X	C CAPACITOR	10pF 50V J	1	K1,K0
	C100	NCB31HK-102X	C CAPACITOR	1000pF 50V K	1	H1
	C101	NCB31CK-105X	C CAPACITOR	1uF 16V K	1	
	C102	NCB31CK-105X	C CAPACITOR	1uF 16V K	1	
	C110	NCB31HK-102X	C CAPACITOR	1000pF 50V K	1	H1
	C111	NCB31CK-105X	C CAPACITOR	1uF 16V K	1	
	C112	NCB31HK-104X	C CAPACITOR	0.1uF 50V K	1	
	C160	QEKJ1EM-106Z	E CAPACITOR	10uF 25V M	1	
	C161	NCB31AK-105X	C CAPACITOR	1uF 10V K	1	
	C162	QERF1HM-475Z	E CAPACITOR	4.7uF 50V M	1	
	C166	NCB31HK-104X	C CAPACITOR	0.1uF 50V K	1	E2,M6
	C168	NCB31HK-104X	C CAPACITOR	0.1uF 50V K	1	
	C169	NCB31AK-105X	C CAPACITOR	1uF 10V K	1	K1,M9,M8,M7,K0,M5,E1,M2,M3,M1,H1,M0,M4,C1,E2
	C170	NCB31AK-105X	C CAPACITOR	1uF 10V K	1	K1,M9,M8,M7,K0,M5,E1,M2,M3,M1,H1,M0,M4,C1,E2
	C171	NCB31AK-105X	C CAPACITOR	1uF 10V K	1	
	C172	QEKJ1CM-107Z	E CAPACITOR	100uF 16V M	1	
	C173	NCB31AK-105X	C CAPACITOR	1uF 10V K	1	
	C174	QERF1HM-475Z	E CAPACITOR	4.7uF 50V M	1	
	C175	NCB31AK-105X	C CAPACITOR	1uF 10V K	1	M6
	C177	NCB31AK-105X	C CAPACITOR	1uF 10V K	1	
	C251	QEKJ1HM-106Z	E CAPACITOR	10uF 50V M	1	M6
	C252	QEKJ1HM-106Z	E CAPACITOR	10uF 50V M	1	M6
	C253	NDC31HJ-101X	C CAPACITOR	100pF 50V J	1	M6
	C254	NDC31HJ-101X	C CAPACITOR	100pF 50V J	1	M6
	C305	NCB21CK-224X-A	C CAPACITOR	0.22uF 16V K	1	
	C306	NCB21CK-224X-A	C CAPACITOR	0.22uF 16V K	1	
	C307	NCB21CK-224X-A	C CAPACITOR	0.22uF 16V K	1	
	C308	NCB21CK-224X-A	C CAPACITOR	0.22uF 16V K	1	
	C309	QEKJ1EM-106Z	E CAPACITOR	10uF 25V M	1	
	C311	NCB31HK-223X	C CAPACITOR	0.022uF 50V K	1	
	C312	NCB31HK-223X	C CAPACITOR	0.022uF 50V K	1	
	C313	NCB21AK-105X-A	C CAPACITOR	1uF 10V K	1	
	C314	NCB31AK-105X	C CAPACITOR	1uF 10V K	1	
	C315	NCB31AK-105X	C CAPACITOR	1uF 10V K	1	
	C320	QEKJ1HM-106Z	E CAPACITOR	10uF 50V M	1	
	C321	NDC31HJ-101X	C CAPACITOR	100pF 50V J	1	
	C330	QEKJ1HM-106Z	E CAPACITOR	10uF 50V M	1	
	C331	NDC31HJ-101X	C CAPACITOR	100pF 50V J	1	
	C340	QEKJ1HM-106Z	E CAPACITOR	10uF 50V M	1	M9,M8,M7,K0,M5,M2,M3,M1,H1,M0,M4,M6
	C341	NDC31HJ-101X	C CAPACITOR	100pF 50V J	1	M9,M8,M7,K0,M5,M2,M3,M1,H1,M0,M4,M6
	C350	QEKJ1HM-106Z	E CAPACITOR	10uF 50V M	1	M9,M8,M7,K0,M5,M2,M3,M1,H1,M0,M4,M6
	C351	NDC31HJ-101X	C CAPACITOR	100pF 50V J	1	M9,M8,M7,K0,M5,M2,M3,M1,H1,M0,M4,M6
	C368	NCB31HK-103X	C CAPACITOR	0.01uF 50V K	1	
	C501	NCB31HK-104X	C CAPACITOR	0.1uF 50V K	1	
	C504	NCB31HK-104X	C CAPACITOR	0.1uF 50V K	1	
	C505	NCB31HK-473X	C CAPACITOR	0.047uF 50V K	1	
	C506	NCB31CK-224X	C CAPACITOR	0.22uF 16V K	1	
	C507	NCB31HK-104X	C CAPACITOR	0.1uF 50V K	1	
	C513	NCB31HK-104X	C CAPACITOR	0.1uF 50V K	1	
	C514	QERF1AM-107Z	E CAPACITOR	100uF 10V M	1	
	C530	NCB31AK-105X	C CAPACITOR	1uF 10V K	1	
	C531	NCB31HK-104X	C CAPACITOR	0.1uF 50V K	1	
	C532	NCB31AK-105X	C CAPACITOR	1uF 10V K	1	
	C533	NCB31HK-104X	C CAPACITOR	0.1uF 50V K	1	
	C534	NCB31HK-104X	C CAPACITOR	0.1uF 50V K	1	
	C535	NCB31HK-104X	C CAPACITOR	0.1uF 50V K	1	
	C540	NCB31HK-104X	C CAPACITOR	0.1uF 50V K	1	
	C541	NCB31HK-222X	C CAPACITOR	2200pF 50V K	1	
	C542	NCB31HK-104X	C CAPACITOR	0.1uF 50V K	1	
	C543	NCB31HK-103X	C CAPACITOR	0.01uF 50V K	1	
	C544	NCB31HK-332X	C CAPACITOR	3300pF 50V K	1	
	C545	NCB31HK-104X	C CAPACITOR	0.1uF 50V K	1	
	C546	NCB31AK-105X	C CAPACITOR	1uF 10V K	1	
	C547	NCB31HK-153X	C CAPACITOR	0.015uF 50V K	1	
	C548	NDC31HJ-680X	C CAPACITOR	68pF 50V J	1	
	C549	NCB31HK-104X	C CAPACITOR	0.1uF 50V K	1	
	C550	NCB20JK-106X-R	C CAPACITOR	10uF 6.3V K	1	
	C551	NCB31HK-104X	C CAPACITOR	0.1uF 50V K	1	
	C552	NCB31HK-333X	C CAPACITOR	0.033uF 50V K	1	
	C553	NCB31HK-472X	C CAPACITOR	4700pF 50V K	1	
	C554	NDC31HJ-331X	C CAPACITOR	330pF 50V J	1	
	C555	NDC31HJ-681X	C CAPACITOR	680pF 50V J	1	
	C556	NCB31CK-683X	C CAPACITOR	0.068uF 16V K	1	
	C557	NCB31HK-333X	C CAPACITOR	0.033uF 50V K	1	
	C558	NCB31HK-104X	C CAPACITOR	0.1uF 50V K	1	
	C559	NCB31HK-104X	C CAPACITOR	0.1uF 50V K	1	
	C561	NCB20JK-106X	C CAPACITOR	10uF 6.3V K	1	
	C562	NCB20JK-106X	C CAPACITOR	10uF 6.3V K	1	
	C564	NCB31HK-104X	C CAPACITOR	0.1uF 50V K	1	
	C565	NCB31HK-104X	C CAPACITOR	0.1uF 50V K	1	
	C566	NCB31HK-104X	C CAPACITOR	0.1uF 50V K	1	
	C567	NCB31AK-105X	C CAPACITOR	1uF 10V K	1	

MODEL	MARK	MODEL	MARK	MODEL	MARK	MODEL	MARK
KDC-105U	K1	KDC-3157UAM	M9	KDC-3257UGM	M8	KDC-3357URM	M7
KDC-MP105U	K0	KDC-U3056	M5	KDC-U31R	E1	KDC-U356A	M2
KDC-U356B	M3	KDC-U356G	M1	KDC-U356G	H1	KDC-U356R	M0
KDC-U356S	M4	KDC-U4056	C1	KDC-U41R	E2	KDC-U456	M6

Safe	Symbol No.	Parts No.	Parts Name	Description	QTY	Local
	C568	NCB31HK-104X	C CAPACITOR	0.1uF 50V K	1	
	C569	NCB31HK-104X	C CAPACITOR	0.1uF 50V K	1	
	C570	NCB31HK-104X	C CAPACITOR	0.1uF 50V K	1	
	C571	NDC31HJ-470X	C CAPACITOR	47pF 50V J	1	
	C572	NCB31HK-153X	C CAPACITOR	0.015uF 50V K	1	
	C573	NCB31HK-104X	C CAPACITOR	0.1uF 50V K	1	
	C574	NCB31HK-103X	C CAPACITOR	0.01uF 50V K	1	
	C576	NCB31HK-152X	C CAPACITOR	1500pF 50V K	1	
	C582	NCB31HK-102X	C CAPACITOR	1000pF 50V K	1	
	C583	NCB31HK-102X	C CAPACITOR	1000pF 50V K	1	
	C592	NDC31HJ-101X	C CAPACITOR	100pF 50V J	1	
	C593	NDC31HJ-101X	C CAPACITOR	100pF 50V J	1	
	C701	NDC31HJ-180X	C CAPACITOR	18pF 50V J	1	
	C702	NDC31HJ-180X	C CAPACITOR	18pF 50V J	1	
	C704	QEKJ1CM-107Z	E CAPACITOR	100uF 16V M	1	
	C705	NCB31HK-104X	C CAPACITOR	0.1uF 50V K	1	
	C706	NCB31HK-104X	C CAPACITOR	0.1uF 50V K	1	
	C707	NCB31CK-474X	C CAPACITOR	0.47uF 16V K	1	
	C708	NCB31HK-104X	C CAPACITOR	0.1uF 50V K	1	
	C711	NCB31HK-104X	C CAPACITOR	0.1uF 50V K	1	
	C712	NCB31HK-104X	C CAPACITOR	0.1uF 50V K	1	
	C713	NCB31HK-104X	C CAPACITOR	0.1uF 50V K	1	
	C714	NCB31HK-104X	C CAPACITOR	0.1uF 50V K	1	
	C715	NCB31HK-104X	C CAPACITOR	0.1uF 50V K	1	
	C716	NCB31HK-104X	C CAPACITOR	0.1uF 50V K	1	
	C717	NCB31HK-104X	C CAPACITOR	0.1uF 50V K	1	
	C718	NCB31CK-474X	C CAPACITOR	0.47uF 16V K	1	
	C722	NCB10JK-106X-A	C CAPACITOR	10uF 6.3V K	1	
	C723	NCB31CK-473X	C CAPACITOR	0.047uF 16V K	1	
	C724	NDC31HJ-150X	C CAPACITOR	15pF 50V J	1	
	C725	NDC31HJ-120X	C CAPACITOR	12pF 50V J	1	
	C728	NCB31HK-103X	C CAPACITOR	0.01uF 50V K	1	
	C729	NCJ11EK-106X-R	C CAPACITOR	10uF 25V	1	
	C731	NCB21HK-104X	C CAPACITOR	0.1uF 50V K	1	
	C733	NCB10JK-106X-A	C CAPACITOR	10uF 6.3V K	1	
	C751	NCB31HK-104X	C CAPACITOR	0.1uF 50V K	1	E2,M6
	C788	NCB31HK-103X	C CAPACITOR	0.01uF 50V K	1	
	C794	NDC31HJ-3R0X	C CAPACITOR	3pF 50V J	1	
	C891	NCB31HK-104X	C CAPACITOR	0.1uF 50V K	1	
	C901	QEZ0934-338	E CAPACITOR	3300uF	1	
	C903	QEKJ1CM-476Z	E CAPACITOR	47uF 16V M	1	
	C904	QEKJ1CM-476Z	E CAPACITOR	47uF 16V M	1	
	C905	NCB31HK-104X	C CAPACITOR	0.1uF 50V K	1	
	C906	QEKJ1CM-107Z	E CAPACITOR	100uF 16V M	1	
	C907	QERF0JM-337Z	E CAPACITOR	330uF 6.3V M	1	
	C908	QEKJ1EM-106Z	E CAPACITOR	10uF 25V M	1	M9,M8,M7,M5,E1,M2,M3,M1,H1,M0,M4,C1,E2,M6
	C910	QEKJ1EM-106Z	E CAPACITOR	10uF 25V M	1	
	C912	NCB31HK-104X	C CAPACITOR	0.1uF 50V K	1	
	C913	QERF0JM-337Z	E CAPACITOR	330uF 6.3V M	1	
	C916	NDC31HJ-101X	C CAPACITOR	100pF 50V J	1	E2,M6
	C917	NDC31HJ-101X	C CAPACITOR	100pF 50V J	1	E2,M6
	C931	NCB31HK-104X	C CAPACITOR	0.1uF 50V K	1	
	C932	QERF0JM-337Z	E CAPACITOR	330uF 6.3V M	1	
	C933	NCB31HK-104X	C CAPACITOR	0.1uF 50V K	1	
	C941	NCB31HK-104X	C CAPACITOR	0.1uF 50V K	1	
	C954	NCB31HK-104X	C CAPACITOR	0.1uF 50V K	1	
	C963	QERF1AM-107Z	E CAPACITOR	100uF 10V M	1	
	C975	NCB31EK-473X	C CAPACITOR	0.047uF 25V K	1	
	C976	NCB31HK-104X	C CAPACITOR	0.1uF 50V K	1	
	C977	NCB31HK-104X	C CAPACITOR	0.1uF 50V K	1	
	C978	NCB31HK-104X	C CAPACITOR	0.1uF 50V K	1	K1,K0
	C981	NCB10JK-106X-A	C CAPACITOR	10uF 6.3V K	1	
	C982	NCB31HK-103X	C CAPACITOR	0.01uF 50V K	1	
	C983	NCB31HK-682X	C CAPACITOR	6800pF 50V K	1	
	C984	NCB31HK-104X	C CAPACITOR	0.1uF 50V K	1	
	C985	NCJ11EK-106X-R	C CAPACITOR	10uF 25V	1	
	C987	NCB10JK-106X-A	C CAPACITOR	10uF 6.3V K	1	
	C988	NCB31HK-103X	C CAPACITOR	0.01uF 50V K	1	
	C989	NCJ11EK-106X-R	C CAPACITOR	10uF 25V	1	
	C990	NCB31HK-104X	C CAPACITOR	0.1uF 50V K	1	
	C991	NCB31HK-103X	C CAPACITOR	0.01uF 50V K	1	
	C993	NCJ11EK-106X-R	C CAPACITOR	10uF 25V	1	
	C994	NCB31HK-103X	C CAPACITOR	0.01uF 50V K	1	
	C995	NCJ11EK-106X-R	C CAPACITOR	10uF 25V	1	
	C996	NCJ11EK-106X-R	C CAPACITOR	10uF 25V	1	
	C997	NCB31HK-103X	C CAPACITOR	0.01uF 50V K	1	
	C998	NCB31HK-103X	C CAPACITOR	0.01uF 50V K	1	
	R1	NRSA63J-684X	MG RESISTOR	680kΩ 1/16W J	1	K1,M9,M8,M7,K0,E1,E2
	R1	NRSA63J-474X	MG RESISTOR	470kΩ 1/16W J	1	M5,M2,M3,M1,H1,M0,M4,C1,M6
	R2	NRSA63J-684X	MG RESISTOR	680kΩ 1/16W J	1	K1,M9,M8,M7,K0,E1,E2
	R2	NRSA63J-474X	MG RESISTOR	470kΩ 1/16W J	1	M5,M2,M3,M1,H1,M0,M4,C1,M6
	R3	NRSA63J-101X	MG RESISTOR	100Ω 1/16W J	1	M5,M2,M3,M1,H1,M0,M4,C1,M6
	R4	NRSA63J-472X	MG RESISTOR	4.7kΩ 1/16W J	1	
	R6	NRSA63J-221X	MG RESISTOR	220Ω 1/16W J	1	
	R7	NRSA63J-221X	MG RESISTOR	220Ω 1/16W J	1	
	R8	NRS181J-220X	MG RESISTOR	22Ω 1/8W J	1	
	R9	NRSA63J-0R0X	MG RESISTOR	0Ω 1/10W J	1	M9,M8,M7,M5,E1,M2,M3

MODEL	MARK	MODEL	MARK	MODEL	MARK	MODEL	MARK
KDC-105U	K1	KDC-3157UAM	M9	KDC-3257UGM	M8	KDC-3357URM	M7
KDC-MP105U	K0	KDC-U3056	M5	KDC-U31R	E1	KDC-U356A	M2
KDC-U356B	M3	KDC-U356G	M1	KDC-U356G	H1	KDC-U356R	M0
KDC-U356S	M4	KDC-U4056	C1	KDC-U41R	E2	KDC-U456	M6

Safe	Symbol No.	Parts No.	Parts Name	Description	QTY	Local
	R10	NRSA63J-0R0X	MG RESISTOR	0Ω 1/10W J	1	,M1,H1,M0,M4,C1,E2,M6 M5,M2,M3,M1,H1,M0,M4 .C1,M6
	R12	NRS181J-0R0X	MG RESISTOR	0Ω 1/8W J	1	
	R101	NRSA63J-473X	MG RESISTOR	47kΩ 1/16W J	1	
	R111	NRSA63J-473X	MG RESISTOR	47kΩ 1/16W J	1	
	R112	NRSA63J-471X	MG RESISTOR	470Ω 1/16W J	1	
	R160	NRSA63J-0R0X	MG RESISTOR	0Ω 1/10W J	1	
△	R161	NRSA63J-103X	MG RESISTOR	10kΩ 1/16W J	1	
	R162	NRS181J-0R0X	MG RESISTOR	0Ω 1/8W J	1	
	R163	NRSA63J-101X	MG RESISTOR	100Ω 1/16W J	1	
	R165	NRSA63J-101X	MG RESISTOR	100Ω 1/16W J	1	
	R167	NRS181J-222X	MG RESISTOR	2.2kΩ 1/8W J	1	K1,M9,M8,M7,K0,M5,E1 .M2,M3,M1,H1,M0,M4,C1, E2
	R168	NRS181J-0R0X	MG RESISTOR	0Ω 1/8W J	1	
	R178	NRSA63J-222X	MG RESISTOR	2.2kΩ 1/16W J	1	M6
	R251	NRSA63J-472X	MG RESISTOR	4.7kΩ 1/16W J	1	M6
	R252	NRSA63J-472X	MG RESISTOR	4.7kΩ 1/16W J	1	M6
	R253	NRSA63J-331X	MG RESISTOR	330Ω 1/16W J	1	M6
	R254	NRSA63J-331X	MG RESISTOR	330Ω 1/16W J	1	M6
	R255	NRSA63J-223X	MG RESISTOR	22kΩ 1/16W J	1	M6
	R256	NRSA63J-223X	MG RESISTOR	22kΩ 1/16W J	1	M6
	R257	NRSA63J-181X	MG RESISTOR	180Ω 1/16W J	1	M6
	R258	NRSA63J-181X	MG RESISTOR	180Ω 1/16W J	1	M6
	R302	NRSA63J-473X	MG RESISTOR	47kΩ 1/16W J	1	
	R304	NRSA63J-0R0X	MG RESISTOR	0Ω 1/10W J	1	
	R307	NRSA63J-0R0X	MG RESISTOR	0Ω 1/10W J	1	
	R308	NRSA63J-222X	MG RESISTOR	2.2kΩ 1/16W J	1	
	R310	NRS181J-5R1X	MG RESISTOR	5.1Ω 1/8W J	1	
	R320	NRSA63J-331X	MG RESISTOR	330Ω 1/16W J	1	
	R321	NRSA63J-223X	MG RESISTOR	22kΩ 1/16W J	1	
	R322	NRSA63J-181X	MG RESISTOR	180Ω 1/16W J	1	
	R323	NRSA63J-0R0X	MG RESISTOR	0Ω 1/10W J	1	K1,M9,M8,M7,K0,M5,E1 .M2,M3,M1,H1,M0,M4,C1, E2
	R324	NRSA63J-0R0X	MG RESISTOR	0Ω 1/10W J	1	M6
	R330	NRSA63J-331X	MG RESISTOR	330Ω 1/16W J	1	
	R331	NRSA63J-223X	MG RESISTOR	22kΩ 1/16W J	1	
	R332	NRSA63J-181X	MG RESISTOR	180Ω 1/16W J	1	
	R333	NRSA63J-0R0X	MG RESISTOR	0Ω 1/10W J	1	K1,M9,M8,M7,K0,M5,E1 .M2,M3,M1,H1,M0,M4,C1, E2
	R334	NRSA63J-0R0X	MG RESISTOR	0Ω 1/10W J	1	M6
	R335	NRSA63J-0R0X	MG RESISTOR	0Ω 1/10W J	1	K1,E1,C1,E2
	R340	NRSA63J-331X	MG RESISTOR	330Ω 1/16W J	1	M9,M8,M7,K0,M5,M2,M3 .M1,H1,M0,M4,M6
	R341	NRSA63J-223X	MG RESISTOR	22kΩ 1/16W J	1	M9,M8,M7,K0,M5,M2,M3 .M1,H1,M0,M4,M6
	R342	NRSA63J-181X	MG RESISTOR	180Ω 1/16W J	1	M9,M8,M7,K0,M5,M2,M3 .M1,H1,M0,M4,M6
	R347	NRSA63J-472X	MG RESISTOR	4.7kΩ 1/16W J	1	M9,M8,M7,K0,M5,M2,M3 .M1,H1,M0,M4,M6
	R349	NRSA63J-472X	MG RESISTOR	4.7kΩ 1/16W J	1	M9,M8,M7,K0,M5,M2,M3 .M1,H1,M0,M4,M6
	R350	NRSA63J-331X	MG RESISTOR	330Ω 1/16W J	1	M9,M8,M7,K0,M5,M2,M3 .M1,H1,M0,M4,M6
	R351	NRSA63J-223X	MG RESISTOR	22kΩ 1/16W J	1	M9,M8,M7,K0,M5,M2,M3 .M1,H1,M0,M4,M6
	R352	NRSA63J-181X	MG RESISTOR	180Ω 1/16W J	1	M9,M8,M7,K0,M5,M2,M3 .M1,H1,M0,M4,M6
	R357	NRSA63J-472X	MG RESISTOR	4.7kΩ 1/16W J	1	
	R358	NRSA63J-472X	MG RESISTOR	4.7kΩ 1/16W J	1	
	R361	NRSA63J-0R0X	MG RESISTOR	0Ω 1/10W J	1	
	R362	NRSA63J-0R0X	MG RESISTOR	0Ω 1/10W J	1	
	R363	NRSA63J-0R0X	MG RESISTOR	0Ω 1/10W J	1	
	R364	NRSA63J-0R0X	MG RESISTOR	0Ω 1/10W J	1	
	R400	NRS181J-0R0X	MG RESISTOR	0Ω 1/8W J	1	
	R401	NRS181J-0R0X	MG RESISTOR	0Ω 1/8W J	1	
	R402	NRSA63J-0R0X	MG RESISTOR	0Ω 1/10W J	1	
	R403	NRS181J-0R0X	MG RESISTOR	0Ω 1/8W J	1	
	R405	NRSA63J-100X	MG RESISTOR	10Ω 1/16W J	1	
	R408	NRS181J-0R0X	MG RESISTOR	0Ω 1/8W J	1	
	R410	NRS181J-0R0X	MG RESISTOR	0Ω 1/8W J	1	
	R411	NRS181J-0R0X	MG RESISTOR	0Ω 1/8W J	1	
	R414	NRS181J-0R0X	MG RESISTOR	0Ω 1/8W J	1	
	R417	NRS181J-0R0X	MG RESISTOR	0Ω 1/8W J	1	
	R419	NRS181J-0R0X	MG RESISTOR	0Ω 1/8W J	1	
	R420	NRSA63J-0R0X	MG RESISTOR	0Ω 1/10W J	1	
	R423	NRS181J-0R0X	MG RESISTOR	0Ω 1/8W J	1	
	R426	NRS181J-0R0X	MG RESISTOR	0Ω 1/8W J	1	M6
	R427	NRS181J-0R0X	MG RESISTOR	0Ω 1/8W J	1	
	R428	NRS181J-0R0X	MG RESISTOR	0Ω 1/8W J	1	
	R430	NRS181J-0R0X	MG RESISTOR	0Ω 1/8W J	1	
	R431	NRSA63J-0R0X	MG RESISTOR	0Ω 1/10W J	1	
	R432	NRS181J-0R0X	MG RESISTOR	0Ω 1/8W J	1	
	R433	NRS181J-0R0X	MG RESISTOR	0Ω 1/8W J	1	
	R438	NRS181J-0R0X	MG RESISTOR	0Ω 1/8W J	1	
	R439	NRS181J-0R0X	MG RESISTOR	0Ω 1/8W J	1	
	R440	NRS181J-0R0X	MG RESISTOR	0Ω 1/8W J	1	
	R441	NRS181J-0R0X	MG RESISTOR	0Ω 1/8W J	1	

MODEL	MARK	MODEL	MARK	MODEL	MARK	MODEL	MARK
KDC-105U	K1	KDC-3157UAM	M9	KDC-3257UGM	M8	KDC-3357URM	M7
KDC-MP105U	K0	KDC-U3056	M5	KDC-U31R	E1	KDC-U356A	M2
KDC-U356B	M3	KDC-U356G	M1	KDC-U356G	H1	KDC-U356R	M0
KDC-U356S	M4	KDC-U4056	C1	KDC-U41R	E2	KDC-U456	M6

Safe	Symbol No.	Parts No.	Parts Name	Description	QTY	Local
	R442	NRSA63J-0R0X	MG RESISTOR	0Ω 1/10W J	1	
	R444	NRS181J-0R0X	MG RESISTOR	0Ω 1/8W J	1	
	R445	NRSA63J-0R0X	MG RESISTOR	0Ω 1/10W J	1	
	R447	NRS181J-0R0X	MG RESISTOR	0Ω 1/8W J	1	
	R448	NRS181J-0R0X	MG RESISTOR	0Ω 1/8W J	1	
	R449	NRSA63J-0R0X	MG RESISTOR	0Ω 1/10W J	1	
	R450	NRS181J-0R0X	MG RESISTOR	0Ω 1/8W J	1	
	R451	NRS181J-0R0X	MG RESISTOR	0Ω 1/8W J	1	
	R452	NRSA63J-0R0X	MG RESISTOR	0Ω 1/10W J	1	
	R453	NRS181J-0R0X	MG RESISTOR	0Ω 1/8W J	1	
	R455	NRS181J-0R0X	MG RESISTOR	0Ω 1/8W J	1	
	R456	NRSA63J-0R0X	MG RESISTOR	0Ω 1/10W J	1	
	R457	NRS181J-0R0X	MG RESISTOR	0Ω 1/8W J	1	
	R458	NRS181J-0R0X	MG RESISTOR	0Ω 1/8W J	1	
	R460	NRS181J-0R0X	MG RESISTOR	0Ω 1/8W J	1	
	R461	NRSA63J-0R0X	MG RESISTOR	0Ω 1/10W J	1	
	R462	NRSA02J-0R0X	MG RESISTOR	0Ω 1/10W J	1	
	R465	NRSA63J-0R0X	MG RESISTOR	0Ω 1/10W J	1	
	R467	NRSA63J-0R0X	MG RESISTOR	0Ω 1/10W J	1	
	R468	NRS181J-0R0X	MG RESISTOR	0Ω 1/8W J	1	
	R470	NRS181J-0R0X	MG RESISTOR	0Ω 1/8W J	1	
	R471	NRSA63J-0R0X	MG RESISTOR	0Ω 1/10W J	1	
	R472	NRS181J-0R0X	MG RESISTOR	0Ω 1/8W J	1	
	R475	NRS181J-0R0X	MG RESISTOR	0Ω 1/8W J	1	
	R477	NRSA63J-0R0X	MG RESISTOR	0Ω 1/10W J	1	
	R478	NRS181J-0R0X	MG RESISTOR	0Ω 1/8W J	1	
	R479	NRSA63J-0R0X	MG RESISTOR	0Ω 1/10W J	1	
	R483	NRSA63J-0R0X	MG RESISTOR	0Ω 1/10W J	1	
	R488	NRS181J-0R0X	MG RESISTOR	0Ω 1/8W J	1	
	R489	NRS181J-0R0X	MG RESISTOR	0Ω 1/8W J	1	
	R490	NRS181J-0R0X	MG RESISTOR	0Ω 1/8W J	1	
	R498	NRSA63J-0R0X	MG RESISTOR	0Ω 1/10W J	1	
	R501	NRSA63J-114X	MG RESISTOR	110kΩ 1/16W J	1	
	R502	NRS181J-101X	MG RESISTOR	100Ω 1/8W J	1	
	R503	NRS181J-101X	MG RESISTOR	100Ω 1/8W J	1	
	R504	NRSA63J-274X	MG RESISTOR	270kΩ 1/16W J	1	
	R505	NRSA63J-104X	MG RESISTOR	100kΩ 1/16W J	1	
	R506	NRSA63J-303X	MG RESISTOR	30kΩ 1/16W J	1	
	R507	NRSA63J-563X	MG RESISTOR	56kΩ 1/16W J	1	
	R508	NRSA63J-0R0X	MG RESISTOR	0Ω 1/10W J	1	
	R509	NRSA63J-0R0X	MG RESISTOR	0Ω 1/10W J	1	
	R510	NRSA63J-473X	MG RESISTOR	47kΩ 1/16W J	1	
	R511	NRSA63J-133X	MG RESISTOR	13kΩ 1/16W J	1	
	R512	NRSA63J-0R0X	MG RESISTOR	0Ω 1/10W J	1	
	R513	NRSA63J-0R0X	MG RESISTOR	0Ω 1/10W J	1	
	R516	NRSA63J-333X	MG RESISTOR	33kΩ 1/16W J	1	
	R518	NRS181J-101X	MG RESISTOR	100Ω 1/8W J	1	
	R519	NRSA63J-333X	MG RESISTOR	33kΩ 1/16W J	1	
	R520	NRSA63J-332X	MG RESISTOR	3.3kΩ 1/16W J	1	
	R521	NRSA63J-681X	MG RESISTOR	680Ω 1/16W J	1	
	R522	NRSA63J-681X	MG RESISTOR	680Ω 1/16W J	1	
	R530	NRS181J-0R0X	MG RESISTOR	0Ω 1/8W J	1	
	R534	NRS181J-473X	MG RESISTOR	47kΩ 1/8W J	1	
	R539	NRSA63J-0R0X	MG RESISTOR	0Ω 1/10W J	1	
	R540	NRSA63J-221X	MG RESISTOR	220Ω 1/16W J	1	
	R545	NRSA63J-225X	MG RESISTOR	2.2MΩ 1/16W J	1	
	R547	NRSA63J-4R7X	MG RESISTOR	4.7Ω 1/16W J	1	
	R548	NRSA63J-104X	MG RESISTOR	100kΩ 1/16W J	1	
	R549	NRSA63J-102X	MG RESISTOR	1kΩ 1/16W J	1	
	R550	NRSA63J-472X	MG RESISTOR	4.7kΩ 1/16W J	1	
	R553	NRSA63J-473X	MG RESISTOR	47kΩ 1/16W J	1	
	R554	NRSA02J-4R7X	MG RESISTOR	4.7Ω 1/10W J	1	
	R555	NRSA02J-4R7X	MG RESISTOR	4.7Ω 1/10W J	1	
	R556	NRSA63J-0R0X	MG RESISTOR	0Ω 1/10W J	1	
	R557	NRSA63J-471X	MG RESISTOR	470Ω 1/16W J	1	
	R558	NRSA63J-105X	MG RESISTOR	1MΩ 1/16W J	1	
	R559	NRSA63J-101X	MG RESISTOR	100Ω 1/16W J	1	
	R560	NRSA63J-101X	MG RESISTOR	100Ω 1/16W J	1	
	R561	NRSA63J-101X	MG RESISTOR	100Ω 1/16W J	1	
	R565	NRSA63J-103X	MG RESISTOR	10kΩ 1/16W J	1	
	R566	NRSA63J-103X	MG RESISTOR	10kΩ 1/16W J	1	
	R567	NRS181J-101X	MG RESISTOR	100Ω 1/8W J	1	
	R568	NRS181J-101X	MG RESISTOR	100Ω 1/8W J	1	
	R569	NRS181J-101X	MG RESISTOR	100Ω 1/8W J	1	
	R570	NRSA63J-101X	MG RESISTOR	100Ω 1/16W J	1	
	R571	NRSA63J-103X	MG RESISTOR	10kΩ 1/16W J	1	
	R572	NRSA63J-104X	MG RESISTOR	100kΩ 1/16W J	1	
	R573	NRSA63J-334X	MG RESISTOR	330kΩ 1/16W J	1	
	R574	NRSA63J-153X	MG RESISTOR	15kΩ 1/16W J	1	
	R575	NRS181J-332X	MG RESISTOR	3.3kΩ 1/8W J	1	
	R576	NRSA63J-103X	MG RESISTOR	10kΩ 1/16W J	1	
	R577	NRSA63J-103X	MG RESISTOR	10kΩ 1/16W J	1	
	R586	NRS181J-1R0X	MG RESISTOR	1Ω 1/8W J	1	
	R595	NRSA63J-202X	MG RESISTOR	2kΩ 1/16W J	1	
	R596	NRSA63J-202X	MG RESISTOR	2kΩ 1/16W J	1	
	R701	NRS181J-0R0X	MG RESISTOR	0Ω 1/8W J	1	
	R702	NRSA63J-222X	MG RESISTOR	2.2kΩ 1/16W J	1	
	R703	NRSA63J-911X	MG RESISTOR	910Ω 1/16W J	1	
	R704	NRSA63J-911X	MG RESISTOR	910Ω 1/16W J	1	
	R705	NRSA63J-222X	MG RESISTOR	2.2kΩ 1/16W J	1	
	R706	NRSA63J-911X	MG RESISTOR	910Ω 1/16W J	1	

MODEL	MARK	MODEL	MARK	MODEL	MARK	MODEL	MARK
KDC-105U	K1	KDC-3157UAM	M9	KDC-3257UGM	M8	KDC-3357URM	M7
KDC-MP105U	K0	KDC-U3056	M5	KDC-U31R	E1	KDC-U356A	M2
KDC-U356B	M3	KDC-U356G	M1	KDC-U356G	H1	KDC-U356R	M0
KDC-U356S	M4	KDC-U4056	C1	KDC-U41R	E2	KDC-U456	M6

Safe	Symbol No.	Parts No.	Parts Name	Description	QTY	Local
	R709	NRS181J-911X	MG RESISTOR	910Ω 1/8W J	1	
	R712	NRSA63J-911X	MG RESISTOR	910Ω 1/16W J	1	
	R718	NRS181J-473X	MG RESISTOR	47kΩ 1/8W J	1	
	R720	NRSA63J-473X	MG RESISTOR	47kΩ 1/16W J	1	
	R721	NRSA63J-105X	MG RESISTOR	1MΩ 1/16W J	1	
	R722	NRSA63J-473X	MG RESISTOR	47kΩ 1/16W J	1	
	R723	NRSA63J-473X	MG RESISTOR	47kΩ 1/16W J	1	
	R725	NRSA63J-473X	MG RESISTOR	47kΩ 1/16W J	1	
	R726	NRSA63J-473X	MG RESISTOR	47kΩ 1/16W J	1	
	R727	NRSA63J-473X	MG RESISTOR	47kΩ 1/16W J	1	
	R728	NRSA63J-473X	MG RESISTOR	47kΩ 1/16W J	1	
	R730	NRSA63J-473X	MG RESISTOR	47kΩ 1/16W J	1	
	R731	NRSA63J-473X	MG RESISTOR	47kΩ 1/16W J	1	
	R732	NRSA63J-101X	MG RESISTOR	100Ω 1/16W J	1	
	R733	NRSA63J-0R0X	MG RESISTOR	0Ω 1/10W J	1	
	R735	NRSA63J-473X	MG RESISTOR	47kΩ 1/16W J	1	
	R736	NRS181J-473X	MG RESISTOR	47kΩ 1/8W J	1	
	R737	NRSA63J-911X	MG RESISTOR	910Ω 1/16W J	1	
	R738	NRSA63J-222X	MG RESISTOR	2.2kΩ 1/16W J	1	
	R739	NRSA63J-103X	MG RESISTOR	10kΩ 1/16W J	1	
	R740	NRSA63J-103X	MG RESISTOR	10kΩ 1/16W J	1	
	R741	NRSA63J-103X	MG RESISTOR	10kΩ 1/16W J	1	
	R742	NRSA63J-473X	MG RESISTOR	47kΩ 1/16W J	1	
	R743	NRSA63J-473X	MG RESISTOR	47kΩ 1/16W J	1	
	R745	NRSA63J-101X	MG RESISTOR	100Ω 1/16W J	1	
	R746	NRSA63J-473X	MG RESISTOR	47kΩ 1/16W J	1	
	R747	NRS181J-243X	MG RESISTOR	24kΩ 1/8W J	1	
	R749	NRSA63J-222X	MG RESISTOR	2.2kΩ 1/16W J	1	
	R750	NRSA63J-222X	MG RESISTOR	2.2kΩ 1/16W J	1	
	R751	NRSA63J-223X	MG RESISTOR	22kΩ 1/16W J	1	E2,M6
	R753	NRSA63J-332X	MG RESISTOR	3.3kΩ 1/16W J	1	
	R754	NRSA63J-332X	MG RESISTOR	3.3kΩ 1/16W J	1	
	R757	NRSA63J-104X	MG RESISTOR	100kΩ 1/16W J	1	
	R758	NRSA63J-104X	MG RESISTOR	100kΩ 1/16W J	1	
	R759	NRSA63J-473X	MG RESISTOR	47kΩ 1/16W J	1	
	R762	NRSA63J-473X	MG RESISTOR	47kΩ 1/16W J	1	
	R763	NRSA63J-473X	MG RESISTOR	47kΩ 1/16W J	1	
	R764	NRSA63J-393X	MG RESISTOR	39kΩ 1/16W J	1	M9,M8,M7,E1,E2
	R764	NRSA63J-333X	MG RESISTOR	33kΩ 1/16W J	1	M5,M2,M3,M1,H1,M0,M4,C1,M6
	R765	NRSA63J-393X	MG RESISTOR	39kΩ 1/16W J	1	K0
	R765	NRSA63J-273X	MG RESISTOR	27kΩ 1/16W J	1	E2,M6
	R766	NRSA63J-473X	MG RESISTOR	47kΩ 1/16W J	1	K1,K0
	R766	NRSA63J-822X	MG RESISTOR	8.2kΩ 1/16W J	1	M9,M8,M7,E1,E2
	R766	NRSA63J-153X	MG RESISTOR	15kΩ 1/16W J	1	M5,M2,M3,M1,H1,M0,M4,C1,M6
	R767	NRSA63J-473X	MG RESISTOR	47kΩ 1/16W J	1	K1,M9,M8,M7,M5,E1,M2,M3,M1,H1,M0,M4,C1
	R767	NRSA63J-822X	MG RESISTOR	8.2kΩ 1/16W J	1	K0
	R767	NRSA63J-223X	MG RESISTOR	22kΩ 1/16W J	1	E2,M6
	R768	NRSA63J-473X	MG RESISTOR	47kΩ 1/16W J	1	
	R770	NRSA63J-472X	MG RESISTOR	4.7kΩ 1/16W J	1	
	R771	NRSA63J-472X	MG RESISTOR	4.7kΩ 1/16W J	1	
	R772	NRSA63J-472X	MG RESISTOR	4.7kΩ 1/16W J	1	
	R773	NRSA63J-472X	MG RESISTOR	4.7kΩ 1/16W J	1	
	R774	NRSA63J-472X	MG RESISTOR	4.7kΩ 1/16W J	1	
	R775	NRSA63J-153X	MG RESISTOR	15kΩ 1/16W J	1	
	R776	NRSA63J-153X	MG RESISTOR	15kΩ 1/16W J	1	
	R777	NRSA63J-102X	MG RESISTOR	1kΩ 1/16W J	1	
	R778	NRSA63J-271X	MG RESISTOR	270Ω 1/16W J	1	
	R779	NRSA63J-271X	MG RESISTOR	270Ω 1/16W J	1	
	R780	NRSA63J-473X	MG RESISTOR	47kΩ 1/16W J	1	
	R781	NRSA63J-331X	MG RESISTOR	330Ω 1/16W J	1	
	R782	NRSA63J-821X	MG RESISTOR	820Ω 1/16W J	1	
	R783	NRSA63J-104X	MG RESISTOR	100kΩ 1/16W J	1	
	R784	NRSA63J-103X	MG RESISTOR	10kΩ 1/16W J	1	
	R785	NRSA63J-563X	MG RESISTOR	56kΩ 1/16W J	1	K1,M9,M8,M7,K0,M5,M2,M3,M1,H1,M0,M4,C1,M6,E1,E2
	R785	NRSA63J-333X	MG RESISTOR	33kΩ 1/16W J	1	
	R786	NRSA63J-103X	MG RESISTOR	10kΩ 1/16W J	1	
	R789	NRSA63J-270X	MG RESISTOR	27Ω 1/16W J	1	
	R790	NRSA63J-270X	MG RESISTOR	27Ω 1/16W J	1	
	R793	NRS181J-0R0X	MG RESISTOR	0Ω 1/8W J	1	
	R794	NRSA63J-300X	MG RESISTOR	30Ω 1/16W J	1	
	R795	NRSA63J-103X	MG RESISTOR	10kΩ 1/16W J	1	
	R796	NRSA63J-103X	MG RESISTOR	10kΩ 1/16W J	1	
	R797	NRS181J-103X	MG RESISTOR	10kΩ 1/8W J	1	
	R851	NRSA63J-472X	MG RESISTOR	4.7kΩ 1/16W J	1	M9,M8,M7,M5,E1,M2,M3,M1,H1,M0,M4,C1,E2,M6
	R891	NRSA63J-103X	MG RESISTOR	10kΩ 1/16W J	1	
	R892	NRSA63J-683X	MG RESISTOR	68kΩ 1/16W J	1	
	R893	NRS181J-123X	MG RESISTOR	12kΩ 1/8W J	1	
	R894	NRS181J-0R0X	MG RESISTOR	0Ω 1/8W J	1	
	R901	NRS181J-682X	MG RESISTOR	6.8kΩ 1/8W J	1	
	R902	NRS181J-682X	MG RESISTOR	6.8kΩ 1/8W J	1	
	R905	NRS181J-103X	MG RESISTOR	10kΩ 1/8W J	1	
	R906	NRSA63J-562X	MG RESISTOR	5.6kΩ 1/16W J	1	
	R907	NRSA63J-155X	MG RESISTOR	1.5MΩ 1/16W J	1	
	R908	NRSA63J-472X	MG RESISTOR	4.7kΩ 1/16W J	1	
	R909	NRSA63J-273X	MG RESISTOR	27kΩ 1/16W J	1	

MODEL	MARK	MODEL	MARK	MODEL	MARK	MODEL	MARK
KDC-105U	K1	KDC-3157UAM	M9	KDC-3257UGM	M8	KDC-3357URM	M7
KDC-MP105U	K0	KDC-U3056	M5	KDC-U31R	E1	KDC-U356A	M2
KDC-U356B	M3	KDC-U356G	M1	KDC-U356G	H1	KDC-U356R	M0
KDC-U356S	M4	KDC-U4056	C1	KDC-U41R	E2	KDC-U456	M6

Safe	Symbol No.	Parts No.	Parts Name	Description	QTY	Local
	R941	NRSA181J-472X	MG RESISTOR	4.7kΩ 1/8W J	1	
	R951	NRSA63J-102X	MG RESISTOR	1kΩ 1/16W J	1	
	R952	NRSA63J-331X	MG RESISTOR	330Ω 1/16W J	1	
	R970	NRSA63J-473X	MG RESISTOR	47kΩ 1/16W J	1	
	R971	NRSA63J-103X	MG RESISTOR	10kΩ 1/16W J	1	
	R972	NRSA63J-103X	MG RESISTOR	10kΩ 1/16W J	1	
	R973	NRSA63J-203X	MG RESISTOR	20kΩ 1/16W J	1	
	R974	NRSA63J-473X	MG RESISTOR	47kΩ 1/16W J	1	
	R975	NRSA02J-473X	MG RESISTOR	47kΩ 1/10W J	1	
	R976	NRSA02J-683X	MG RESISTOR	68kΩ 1/10W J	1	
	R980	NRSA63J-0R0X	MG RESISTOR	0Ω 1/10W J	1	
	R981	NRSA63D-913X	MG RESISTOR	91kΩ 1/16W D	1	
	R982	NRSA63D-273X	MG RESISTOR	27kΩ 1/16W D	1	
	R983	NRSA63J-472X	MG RESISTOR	4.7kΩ 1/16W J	1	
	R985	NRS181J-220X	MG RESISTOR	22Ω 1/8W J	1	
	R986	NRSA63D-114X	MG RESISTOR	110kΩ 1/16W D	1	
	R987	NRSA63J-103X	MG RESISTOR	10kΩ 1/16W J	1	
	R990	NRSA63J-0R0X	MG RESISTOR	0Ω 1/10W J	1	
	L1	NQL093K-R47X	PEAKING COIL	0.47uH K	1	K1,M9,M8,M7,K0,E1,E2
	L1	NQL093K-1R0X	PEAKING COIL	1uH K	1	M5,M2,M3,M1,H1,M0,M4,C1,M6
	L2	NQL093K-1R8X	PEAKING COIL	1.8uH K	1	K1,M9,M8,M7,K0,E1,E2
	L2	NQL093K-3R3X	PEAKING COIL	3.3uH K	1	M5,M2,M3,M1,H1,M0,M4,C1,M6
	L3	NQL093K-R27X	PEAKING COIL	0.27uH K	1	
	L4	QQR1872-001	RF COIL		1	
	L5	NQL114K-561X	PEAKING COIL	560uH K	1	
	L6	NQL114K-561X	PEAKING COIL	560uH K	1	
	L7	NQL79GM-4R7X	COIL	4.7uH M	1	
	L8	NQL093K-4R7X	PEAKING COIL	4.7uH K	1	K1,M9,M8,M7,K0,E1,E2
	L9	NQL093K-R47X	PEAKING COIL	0.47uH K	1	
	L10	NQL103J-10NX	COIL	10nH J	1	K1,K0
	L11	NQR0251-002X	FERRITE BEADS		1	
	L12	NQR0251-002X	FERRITE BEADS		1	
	L531	NQR0154-006X	FERRITE BEADS		1	
	L561	NQR0154-006X	FERRITE BEADS		1	
	L562	NQR0154-006X	FERRITE BEADS		1	
	L701	NQL79GM-4R7X	COIL	4.7uH M	1	
	L702	NQR0154-006X	FERRITE BEADS		1	
	L703	NQR0154-006X	FERRITE BEADS		1	
	L704	NQR0154-006X	FERRITE BEADS		1	
	L901	QQR1882-001	CHOKE COIL		1	
	L981	QQL92AK-220Z	COIL	22uH K	1	K1,M9,M8,M7,K0,E1,E2
	L981	QQLA1AM-220	COIL	22uH M	1	M5,M2,M3,M1,H1,M0,M4,C1,M6
	L982	NQLH25M-4R7X	COIL	4.7uH M	1	
	CN502	QGF1040F1-26	CONNECTOR	FFC/FPC (1-26)	1	
	CN701	QGZ1102J1-20	CONNECTOR	(1-20)	1	
	CN901	QNZ0607-001	CAR CONNECTOR		1	
	J1	QNB0358-001	ANT TERMINAL		1	
	J321	QNN0874-001	PIN JACK		1	K1,E1,C1,E2
	J321	QNN0868-001	PIN JACK		1	M9,M8,M7,K0,M5,M2,M3,M1,H1,M0,M4,M6
	J321	QNN0866-001	PIN JACK		1	
	S701	QSW0648-001Z	TACT SWITCH		1	
	X1	QAX0952-001Z	CRYSTAL		1	
	X540	QAX0929-001Z	C RESONATOR		1	
	X701	QAX0968-001Z	CRYSTAL		1	
	X702	QAX0401-001	CRYSTAL	32.768KHz	1	
DAUGHTER UNIT (X89-3130-10) <X89>						
	IC80	MFI337S3959-X	IC(MICROPROCESSOR)		1	E2,M6
	C80	NCB31HK-104X	C CAPACITOR	0.1uF 50V K	1	E2,M6
	CN80	QGG2521M1-03	CONNECTOR		1	E2,M6
	CN81	QGG2504M5-02	CONNECTOR		1	E2,M6
SWITCH UNIT (X16-741x-xx) <X16>						
	IC601	BU9755KV-X	IC(MOS-IC)		1	
	IC602	KSM-2003TN5B	IR SENSOR		1	K1,M9,M8,M7,K0,M5,M2,M3,M1,H1,M0,M4,C1,M6
	IC603	TPS2065CDBV-X	IC(MOS-IC)		1	
	Q621	LTA014EUB-X	DIGI TRANSISTOR		1	K1,M9,M8,M7,K0,M5,M2,M3,M1,H1,M0,M4,C1,M6
	D601	RKZ5.1B2KG-X	Z DIODE		1	K1,M9,M8,M7,K0,M5,M2,M3,M1,H1,M0,M4,C1,M6
	D602	RKZ5.1B2KG-X	Z DIODE		1	
	D603	RKZ5.1B2KG-X	Z DIODE		1	
	D604	RKZ5.1B2KG-X	Z DIODE		1	
	D605	RKZ5.1B2KG-X	Z DIODE		1	
	D606	RKZ5.1B2KG-X	Z DIODE		1	
	D607	RKZ5.1B2KG-X	Z DIODE		1	
	D608	RKZ5.1B2KG-X	Z DIODE		1	
	D609	RKZ5.1B2KG-X	Z DIODE		1	
	D623	MBRX130-TP-X	SB DIODE		1	
	D641	RKZ5.1B2KG-X	Z DIODE		1	
	D642	RKZ5.1B2KG-X	Z DIODE		1	
	D651	SML-310VT-X	LED		1	
	D653	SML-D12V8W-X	LED		1	K1,M7,K0,M5,E1,M0,M4,E2
	D653	SML-D12D8W-X	LED		1	M9,M2
	D653	SML-D12P8W-X	LED		1	M8,M1,H1,C1
	D653	QSMR-C13/BCMNX	LED		1	M3

MODEL	MARK	MODEL	MARK	MODEL	MARK	MODEL	MARK
KDC-105U	K1	KDC-3157UAM	M9	KDC-3257UGM	M8	KDC-3357URM	M7
KDC-MP105U	K0	KDC-U3056	M5	KDC-U31R	E1	KDC-U356A	M2
KDC-U356B	M3	KDC-U356G	M1	KDC-U356G	H1	KDC-U356R	M0
KDC-U356S	M4	KDC-U4056	C1	KDC-U41R	E2	KDC-U456	M6

Safe	Symbol No.	Parts No.	Parts Name	Description	QTY	Local
	D653	QSMW-C13S-X	LED		1	M6
	D655	SML-D12V8W-X	LED		1	K1,M7,K0,M5,E1,M0,M4,E2
	D655	SML-D12D8W-X	LED		1	M9,M2
	D655	QSMR-C13/BCMNX	LED		1	M3
	D655	QSMW-C13S-X	LED		1	M6
	D656	SML-D12P8W-X	LED		1	M8,M1,H1,C1
	D657	SML-D12P8W-X	LED		1	M8,M1,H1,C1
	D658	SML-D12V8W-X	LED		1	K1,M7,K0,M5,E1,M0,M4,E2
	D658	SML-D12D8W-X	LED		1	M9,M2
	D658	SML-D12P8W-X	LED		1	M8,M1,H1,C1
	D658	QSMR-C13/BCMNX	LED		1	M3
	D658	QSMW-C13S-X	LED		1	M6
	D659	SML-D12V8W-X	LED		1	K1,M7,K0,M5,E1,M0,M4,E2
	D659	SML-D12D8W-X	LED		1	M9,M2
	D659	SML-D12P8W-X	LED		1	M8,M1,H1,C1
	D659	QSMR-C13/BCMNX	LED		1	M3
	D659	QSMW-C13S-X	LED		1	M6
	D660	SML-D12V8W-X	LED		1	K1,M7,K0,M5,E1,M0,M4,E2
	D660	SML-D12D8W-X	LED		1	M9,M2
	D660	QSMR-C13/BCMNX	LED		1	M3
	D660	QSMW-C13S-X	LED		1	M6
	D662	SML-D12V8W-X	LED		1	K1,M7,K0,M5,E1,M0,M4,E2
	D662	SML-D12D8W-X	LED		1	M9,M2
	D662	SML-D12P8W-X	LED		1	M8,M1,H1,C1
	D662	QSMR-C13/BCMNX	LED		1	M3
	D662	QSMW-C13S-X	LED		1	M6
	D663	SML-D12V8W-X	LED		1	K1,M7,K0,M5,E1,M0,M4,E2
	D663	SML-D12D8W-X	LED		1	M9,M2
	D663	SML-D12P8W-X	LED		1	M8,M1,H1,C1
	D663	QSMR-C13/BCMNX	LED		1	M3
	D663	QSMW-C13S-X	LED		1	M6
	D664	SML-D12V8W-X	LED		1	K1,M7,K0,M5,E1,M0,M4,E2
	D664	SML-D12D8W-X	LED		1	M9,M2
	D664	SML-D12P8W-X	LED		1	M8,M1,H1,C1
	D664	QSMR-C13/BCMNX	LED		1	M3
	D664	QSMW-C13S-X	LED		1	M6
	D666	SML-D12P8W-X	LED		1	M8,M1,H1,C1
	D667	SML-D12P8W-X	LED		1	M8,M1,H1,C1
	D668	SML-D12P8W-X	LED		1	M8,M1,H1,C1
	D669	SML-D12V8W-X	LED		1	K1,M7,K0,M5,E1,M0,M4,E2
	D669	SML-D12D8W-X	LED		1	M9,M2
	D669	QSMR-C13/BCMNX	LED		1	M3
	D669	QSMW-C13S-X	LED		1	M6
	D670	SML-D12P8W-X	LED		1	M8,M1,H1,C1
	D671	SML-D12V8W-X	LED		1	K1,M7,K0,M5,E1,M0,M4,E2
	D671	SML-D12D8W-X	LED		1	M9,M2
	D671	QSMR-C13/BCMNX	LED		1	M3
	D671	QSMW-C13S-X	LED		1	M6
	D672	SML-D12P8W-X	LED		1	M8,M1,H1,C1
	D673	SML-D12P8W-X	LED		1	M8,M1,H1,C1
	D676	SML-D12V8W-X	LED		1	K1,M7,K0,M5,E1,M0,M4,E2
	D676	SML-D12D8W-X	LED		1	M9,M2
	D676	SML-D12P8W-X	LED		1	M8,M1,H1,C1
	D676	QSMR-C13/BCMNX	LED		1	M3
	D676	QSMW-C13S-X	LED		1	M6
	D677	SML-D12V8W-X	LED		1	K1,M7,K0,M5,E1,M0,M4,E2
	D677	SML-D12D8W-X	LED		1	M9,M2
	D677	SML-D12P8W-X	LED		1	M8,M1,H1,C1
	D677	QSMR-C13/BCMNX	LED		1	M3
	D677	QSMW-C13S-X	LED		1	M6
	D678	SML-D12P8W-X	LED		1	M8,M1,H1,C1
	D679	SML-D12P8W-X	LED		1	M8,M1,H1,C1
	D680	SML-D12V8W-X	LED		1	K1,M7,K0,M5,E1,M0,M4,E2
	D680	SML-D12D8W-X	LED		1	M9,M2
	D680	SML-D12P8W-X	LED		1	M8,M1,H1,C1
	D680	QSMR-C13/BCMNX	LED		1	M3
	D680	QSMW-C13S-X	LED		1	M6
	D681	SML-D12V8W-X	LED		1	K1,M7,K0,M5,E1,M0,M4,E2
	D681	SML-D12D8W-X	LED		1	M9,M2
	D681	SML-D12P8W-X	LED		1	M8,M1,H1,C1
	D681	QSMR-C13/BCMNX	LED		1	M3
	D681	QSMW-C13S-X	LED		1	M6
	C601	NCB31HK-472X	C CAPACITOR	4700pF 50V K	1	K1,M9,M8,M7,K0,M5,E1,M2,M3,M1,M0,M4,C1,E2,M6
	C601	NDC31HJ-101X	C CAPACITOR	100pF 50V J	1	H1
	C602	NCB31HK-472X	C CAPACITOR	4700pF 50V K	1	K1,M9,M8,M7,K0,M5,E1,M2,M3,M1,M0,M4,C1,E2,M6

MODEL	MARK	MODEL	MARK	MODEL	MARK	MODEL	MARK
KDC-105U	K1	KDC-3157UAM	M9	KDC-3257UGM	M8	KDC-3357URM	M7
KDC-MP105U	K0	KDC-U3056	M5	KDC-U31R	E1	KDC-U356A	M2
KDC-U356B	M3	KDC-U356G	M1	KDC-U356G	H1	KDC-U356R	M0
KDC-U356S	M4	KDC-U4056	C1	KDC-U41R	E2	KDC-U456	M6

Safe	Symbol No.	Parts No.	Parts Name	Description	QTY	Local
	C602	NDC31HJ-101X	C CAPACITOR	100pF 50V J	1	H1
	C603	NCJ11EK-106X-R	C CAPACITOR	10uF 25V	1	
	C604	NCJ11EK-106X-R	C CAPACITOR	10uF 25V	1	
	C610	NCB31HK-472X	C CAPACITOR	4700pF 50V K	1	
	C611	NCB31CK-105X	C CAPACITOR	1uF 16V K	1	
	C612	NCB31HK-104X	C CAPACITOR	0.1uF 50V K	1	
	C614	NCB31HK-471X	C CAPACITOR	470pF 50V K	1	
	C615	NCB31HK-471X	C CAPACITOR	470pF 50V K	1	
	C616	NCB31HK-471X	C CAPACITOR	470pF 50V K	1	
	C617	NCB31HK-103X	C CAPACITOR	0.01uF 50V K	1	
	C618	NCB31HK-471X	C CAPACITOR	470pF 50V K	1	
	C621	NCB31HK-104X	C CAPACITOR	0.1uF 50V K	1	K1,M9,M8,M7,K0,M5,M2,M3,M1,H1,M0,M4,C1,M6
	C641	NDC31HJ-270X	C CAPACITOR	27pF 50V J	1	
	C642	NDC31HJ-270X	C CAPACITOR	27pF 50V J	1	
	C643	NCJ11EK-106X-R	C CAPACITOR	10uF 25V	1	
	C645	NCB31HK-472X	C CAPACITOR	4700pF 50V K	1	
	C646	NDC31HJ-471X	C CAPACITOR	470pF 50V J	1	
	R601	NRSA02J-4R7X	MG RESISTOR	4.7Ω 1/10W J	1	H1
	R602	NRSA02J-101X	MG RESISTOR	100Ω 1/10W J	1	H1
	R603	NRSA02J-101X	MG RESISTOR	100Ω 1/10W J	1	H1
	R604	NRS181J-0R0X	MG RESISTOR	0Ω 1/8W J	1	
	R605	NRS181J-0R0X	MG RESISTOR	0Ω 1/8W J	1	
	R606	NRSA63J-0R0X	MG RESISTOR	0Ω 1/10W J	1	
	R607	NRSA63J-0R0X	MG RESISTOR	0Ω 1/10W J	1	
	R608	NRSA63J-0R0X	MG RESISTOR	0Ω 1/10W J	1	
	R609	NRSA63J-0R0X	MG RESISTOR	0Ω 1/10W J	1	
	R610	NRSA63J-0R0X	MG RESISTOR	0Ω 1/10W J	1	
	R611	NRSA63J-473X	MG RESISTOR	47kΩ 1/16W J	1	
	R612	NRSA63J-472X	MG RESISTOR	4.7kΩ 1/16W J	1	
	R613	NRSA63J-102X	MG RESISTOR	1kΩ 1/16W J	1	
	R614	NRSA63J-221X	MG RESISTOR	220Ω 1/16W J	1	
	R615	NRSA63J-4R7X	MG RESISTOR	4.7Ω 1/16W J	1	
	R616	NRSA63J-101X	MG RESISTOR	100Ω 1/16W J	1	
	R617	NRSA63J-101X	MG RESISTOR	100Ω 1/16W J	1	
	R618	NRSA63J-101X	MG RESISTOR	100Ω 1/16W J	1	
	R619	NRSA63J-101X	MG RESISTOR	100Ω 1/16W J	1	
	R620	NRSA63J-101X	MG RESISTOR	100Ω 1/16W J	1	
	R621	NRSA63J-101X	MG RESISTOR	100Ω 1/16W J	1	
	R622	NRSA63J-101X	MG RESISTOR	100Ω 1/16W J	1	
	R623	NRSA63J-101X	MG RESISTOR	100Ω 1/16W J	1	
	R624	NRSA63J-103X	MG RESISTOR	10kΩ 1/16W J	1	
	R627	NRSA63J-101X	MG RESISTOR	100Ω 1/16W J	1	
	R628	NRSA63J-0R0X	MG RESISTOR	0Ω 1/10W J	1	
	R630	NRSA02J-222X	MG RESISTOR	2.2kΩ 1/10W J	1	M8,M1,H1,C1
	R631	NRSA02J-102X	MG RESISTOR	1kΩ 1/10W J	1	M8,M1,H1,C1
	R632	NRSA02J-122X	MG RESISTOR	1.2kΩ 1/10W J	1	K1,M7,K0,M5,E1,M0,M4,E2
	R632	NRSA02J-162X	MG RESISTOR	1.6kΩ 1/10W J	1	M9,M2
	R632	NRSA02J-102X	MG RESISTOR	1kΩ 1/10W J	1	M8,M1,H1,C1
	R635	NRSA02J-152X	MG RESISTOR	1.5kΩ 1/10W J	1	M8,M1,H1,C1
	R638	NRSA02J-162X	MG RESISTOR	1.6kΩ 1/10W J	1	K1,M7,K0,M5,E1,M0,M4,E2
	R638	NRSA02J-222X	MG RESISTOR	2.2kΩ 1/10W J	1	M9,M2
	R638	NRSA02J-152X	MG RESISTOR	1.5kΩ 1/10W J	1	M8,M1,H1,C1
	R643	NRSA63J-103X	MG RESISTOR	10kΩ 1/16W J	1	
	R644	NRSA63J-0R0X	MG RESISTOR	0Ω 1/10W J	1	
	R650	NRSA02J-162X	MG RESISTOR	1.6kΩ 1/10W J	1	K1,M7,K0,M5,E1,M0,M4,E2
	R650	NRSA02J-222X	MG RESISTOR	2.2kΩ 1/10W J	1	M9,M2,M6
	R650	NRSA02J-152X	MG RESISTOR	1.5kΩ 1/10W J	1	M8,M1,H1,C1
	R650	NRSA02J-122X	MG RESISTOR	1.2kΩ 1/10W J	1	M3
	R655	NRSA02J-162X	MG RESISTOR	1.6kΩ 1/10W J	1	K1,M8,M7,K0,M5,E1,M1,H1,M0,M4,C1,E2
	R655	NRSA02J-152X	MG RESISTOR	1.5kΩ 1/10W J	1	M9,M2,M3
	R655	NRSA02J-272X	MG RESISTOR	2.7kΩ 1/10W J	1	M6
	R656	NRS181J-122X	MG RESISTOR	1.2kΩ 1/8W J	1	K1,M7,K0,M5,E1,M0,M4,E2
	R656	NRS181J-182X	MG RESISTOR	1.8kΩ 1/8W J	1	M9,M2
	R656	NRS181J-222X	MG RESISTOR	2.2kΩ 1/8W J	1	M3,M6
	R657	NRSA02J-182X	MG RESISTOR	1.8kΩ 1/10W J	1	M8,M1,H1,C1
	R658	NRSA02J-122X	MG RESISTOR	1.2kΩ 1/10W J	1	K1,M9,M7,K0,M5,E1,M2,M0,M4,E2
	R658	NRSA02J-102X	MG RESISTOR	1kΩ 1/10W J	1	M8,M3,M1,H1,C1
	R658	NRSA02J-152X	MG RESISTOR	1.5kΩ 1/10W J	1	M6
	R659	NRSA02J-122X	MG RESISTOR	1.2kΩ 1/10W J	1	K1,M7,K0,M5,E1,M0,M4,E2
	R659	NRSA02J-182X	MG RESISTOR	1.8kΩ 1/10W J	1	M9,M2
	R659	NRSA02J-222X	MG RESISTOR	2.2kΩ 1/10W J	1	M8,M3,M1,H1,C1
	R659	NRSA02J-272X	MG RESISTOR	2.7kΩ 1/10W J	1	M6
	R660	NRSA02J-122X	MG RESISTOR	1.2kΩ 1/10W J	1	K1,M7,K0,M5,E1,M3,M0,M4,E2
	R660	NRSA02J-222X	MG RESISTOR	2.2kΩ 1/10W J	1	M9,M2
	R660	NRSA02J-162X	MG RESISTOR	1.6kΩ 1/10W J	1	M8,M1,H1,C1
	R660	NRSA02J-272X	MG RESISTOR	2.7kΩ 1/10W J	1	M6
	R663	NRSA02J-122X	MG RESISTOR	1.2kΩ 1/10W J	1	K1,M9,M7,K0,M5,E1,M2,M0,M4,E2
	R663	NRSA02J-911X	MG RESISTOR	910Ω 1/10W J	1	M8,M1,H1,C1
	R663	NRSA02J-182X	MG RESISTOR	1.8kΩ 1/10W J	1	M3
	R663	NRSA02J-272X	MG RESISTOR	2.7kΩ 1/10W J	1	M6
	R664	NRSA02J-102X	MG RESISTOR	1kΩ 1/10W J	1	M8,M1,H1,C1

MODEL	MARK	MODEL	MARK	MODEL	MARK	MODEL	MARK
KDC-105U	K1	KDC-3157UAM	M9	KDC-3257UGM	M8	KDC-3357URM	M7
KDC-MP105U	K0	KDC-U3056	M5	KDC-U31R	E1	KDC-U356A	M2
KDC-U356B	M3	KDC-U356G	M1	KDC-U356G	H1	KDC-U356R	M0
KDC-U356S	M4	KDC-U4056	C1	KDC-U41R	E2	KDC-U456	M6

Safe	Symbol No.	Parts No.	Parts Name	Description	QTY	Local
	R665	NRSA02J-122X	MG RESISTOR	1.2kΩ 1/10W J	1	K1,M7,K0,M5,E1,M0,M4,E2
	R665	NRSA02J-162X	MG RESISTOR	1.6kΩ 1/10W J	1	M9,M2
	R665	NRSA02J-102X	MG RESISTOR	1kΩ 1/10W J	1	M8,M1,H1,C1
	R665	NRSA02J-751X	MG RESISTOR	750Ω 1/10W J	1	M3
	R665	NRSA02J-821X	MG RESISTOR	820Ω 1/10W J	1	M6
	R666	NRS181J-162X	MG RESISTOR	1.6kΩ 1/8W J	1	K1,M7,K0,M5,E1,M0,M4,E2
	R666	NRS181J-222X	MG RESISTOR	2.2kΩ 1/8W J	1	M9,M2
	R666	NRS181J-102X	MG RESISTOR	1kΩ 1/8W J	1	M8,M1,H1,C1
	R666	NRS181J-122X	MG RESISTOR	1.2kΩ 1/8W J	1	M3
	R666	NRS181J-152X	MG RESISTOR	1.5kΩ 1/8W J	1	M6
	R668	NRSA02J-821X	MG RESISTOR	820Ω 1/10W J	1	K1,M7,K0,M5,E1,M3,M0,M4,E2
	R668	NRSA02J-122X	MG RESISTOR	1.2kΩ 1/10W J	1	M9,M2
	R668	NRSA02J-751X	MG RESISTOR	750Ω 1/10W J	1	M8,M1,H1,C1
	R668	NRSA02J-152X	MG RESISTOR	1.5kΩ 1/10W J	1	M6
	R669	NRSA02J-152X	MG RESISTOR	1.5kΩ 1/10W J	1	M8,M1,H1,C1
	R671	NRSA02J-182X	MG RESISTOR	1.8kΩ 1/10W J	1	K1,M7,K0,M5,E1,M0,M4,E2
	R671	NRSA02J-222X	MG RESISTOR	2.2kΩ 1/10W J	1	M9,M2,M6
	R671	NRSA02J-152X	MG RESISTOR	1.5kΩ 1/10W J	1	M8,M1,H1,C1
	R671	NRSA02J-122X	MG RESISTOR	1.2kΩ 1/10W J	1	M3
	R672	NRSA02J-3R3X	MG RESISTOR	3.3Ω 1/10W J	1	
	R673	NRSA02J-3R3X	MG RESISTOR	3.3Ω 1/10W J	1	
	R674	NRSA02J-3R3X	MG RESISTOR	3.3Ω 1/10W J	1	
	R675	NRSA02J-3R3X	MG RESISTOR	3.3Ω 1/10W J	1	
	R676	NRSA02J-3R3X	MG RESISTOR	3.3Ω 1/10W J	1	
	R677	NRSA02J-3R3X	MG RESISTOR	3.3Ω 1/10W J	1	
	R678	NRSA02J-3R3X	MG RESISTOR	3.3Ω 1/10W J	1	
	R684	NRS181J-0R0X	MG RESISTOR	0Ω 1/8W J	1	
	R686	NRSA63J-0R0X	MG RESISTOR	0Ω 1/10W J	1	
	R687	NRS181J-0R0X	MG RESISTOR	0Ω 1/8W J	1	
	R688	NRSA02J-102X	MG RESISTOR	1kΩ 1/10W J	1	
	R690	NRSA02J-162X	MG RESISTOR	1.6kΩ 1/10W J	1	K1,M8,M7,K0,M5,E1,M1,H1,M0,M4,C1,E2
	R693	NRSA02J-222X	MG RESISTOR	2.2kΩ 1/10W J	1	M9,M2
	R693	NRSA02J-162X	MG RESISTOR	1.6kΩ 1/10W J	1	M8,M1,H1,C1
	R694	NRS181J-162X	MG RESISTOR	1.6kΩ 1/8W J	1	K1,M7,K0,M5,E1,M0,M4,E2
	R694	NRS181J-222X	MG RESISTOR	2.2kΩ 1/8W J	1	M9,M2
	R694	NRS181J-102X	MG RESISTOR	1kΩ 1/8W J	1	M8,M1,H1,C1
	R695	NRSA02J-182X	MG RESISTOR	1.8kΩ 1/10W J	1	K1,M7,K0,M5,E1,M0,M4,E2
	R695	NRSA02J-222X	MG RESISTOR	2.2kΩ 1/10W J	1	M9,M2
	R695	NRSA02J-152X	MG RESISTOR	1.5kΩ 1/10W J	1	M8,M1,H1,C1
	R696	NRS181J-0R0X	MG RESISTOR	0Ω 1/8W J	1	
	R697	NRS181J-0R0X	MG RESISTOR	0Ω 1/8W J	1	
	R698	NRSA02J-182X	MG RESISTOR	1.8kΩ 1/10W J	1	M8,M1,H1,C1
	R699	NRSA02J-122X	MG RESISTOR	1.2kΩ 1/10W J	1	K1,M7,K0,M5,E1,M0,M4,E2
	R699	NRSA02J-102X	MG RESISTOR	1kΩ 1/10W J	1	M8,M1,H1,C1
	L601	NQR0007-002X	FERRITE BEADS		1	K1,M9,M8,M7,K0,M5,E1,M2,M3,M1,M0,M4,C1,E2,M6
	L602	NQR0007-002X	FERRITE BEADS		1	K1,M9,M8,M7,K0,M5,E1,M2,M3,M1,M0,M4,C1,E2,M6
	L603	NQR0007-002X	FERRITE BEADS		1	K1,M9,M8,M7,K0,M5,E1,M2,M3,M1,M0,M4,C1,E2,M6
	L611	NQR0502-001X	FERRITE BEADS		1	
	CN601	QGZ1102K3-20X	CONNECTOR	(1-20)	1	
	CN603	QNZ1076-001	USB CONNECTOR		1	
	EN601	QSW1288-001	ROTARY ENCODER		1	
	FL601	QLF0203-001	FL TUBE		1	
	J602	QNS0308-001	3.5 JACK		1	
	LF601	NQR0536-001X	CHOKE COIL		1	
	S611	NSW0246-001X	TACT SWITCH		1	
	S612	NSW0246-001X	TACT SWITCH		1	
	S615	NSW0246-001X	TACT SWITCH		1	
CD PLAYER UNIT (X32-6530-00) IN CD MECHA <X32>						
	R1	NRSA63J-131X	MG RESISTOR	130Ω 1/16W J	1	
	B1	NRS181J-0R0X	MG RESISTOR	0Ω 1/8W J	1	
	CN101	QGF1044F2-26X	CONNECTOR	FFC/FPC (1-26)	1	
	CN102	QGF0522F3-15W	CONNECTOR	FFC/FPC (1-15)	1	
	SW1	S68-0157-05	PUSH SWITCH		1	
	SW2	S68-0157-05	PUSH SWITCH		1	
	SW3	S68-0157-05	PUSH SWITCH		1	
	SW4	S68-0157-05	PUSH SWITCH		1	