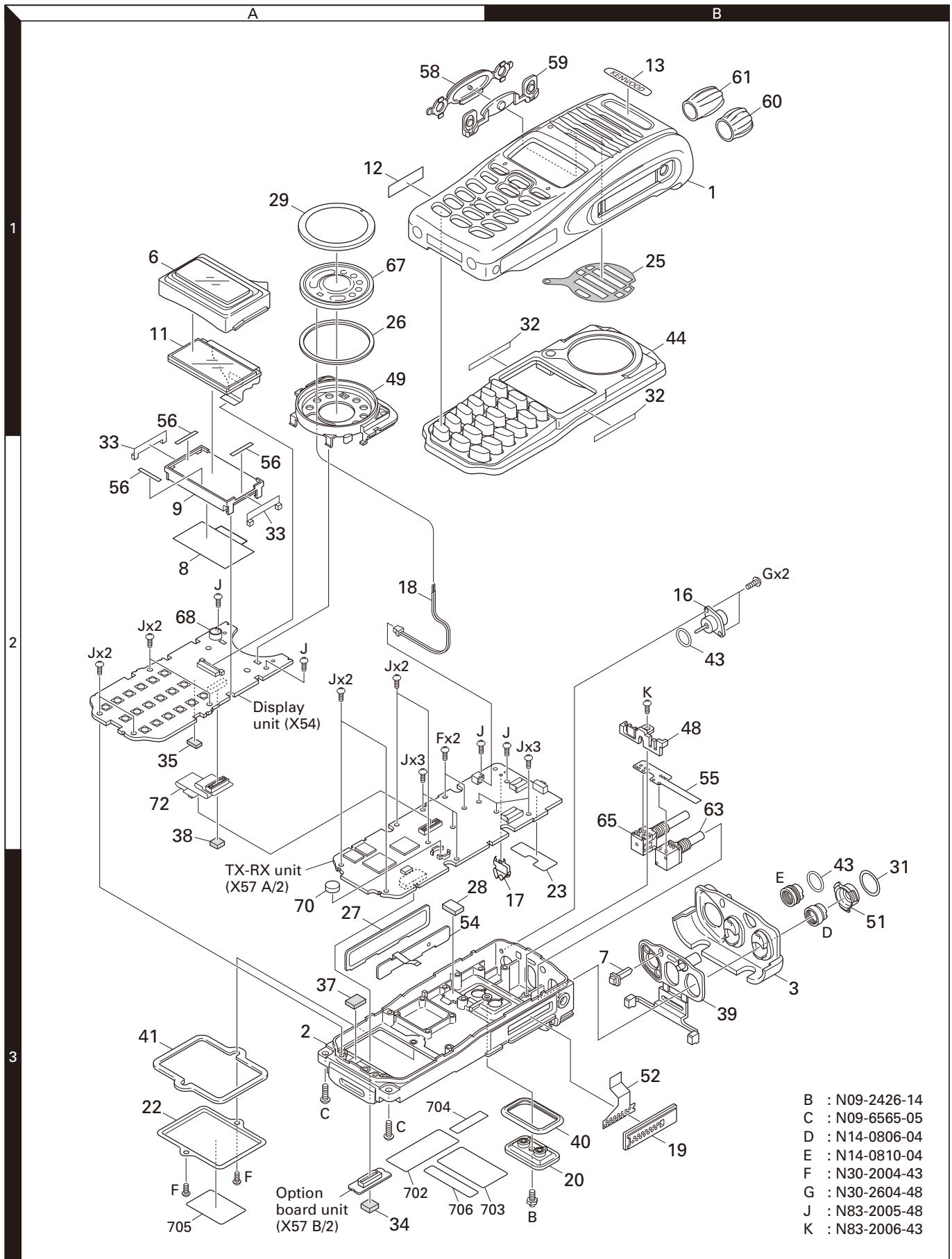
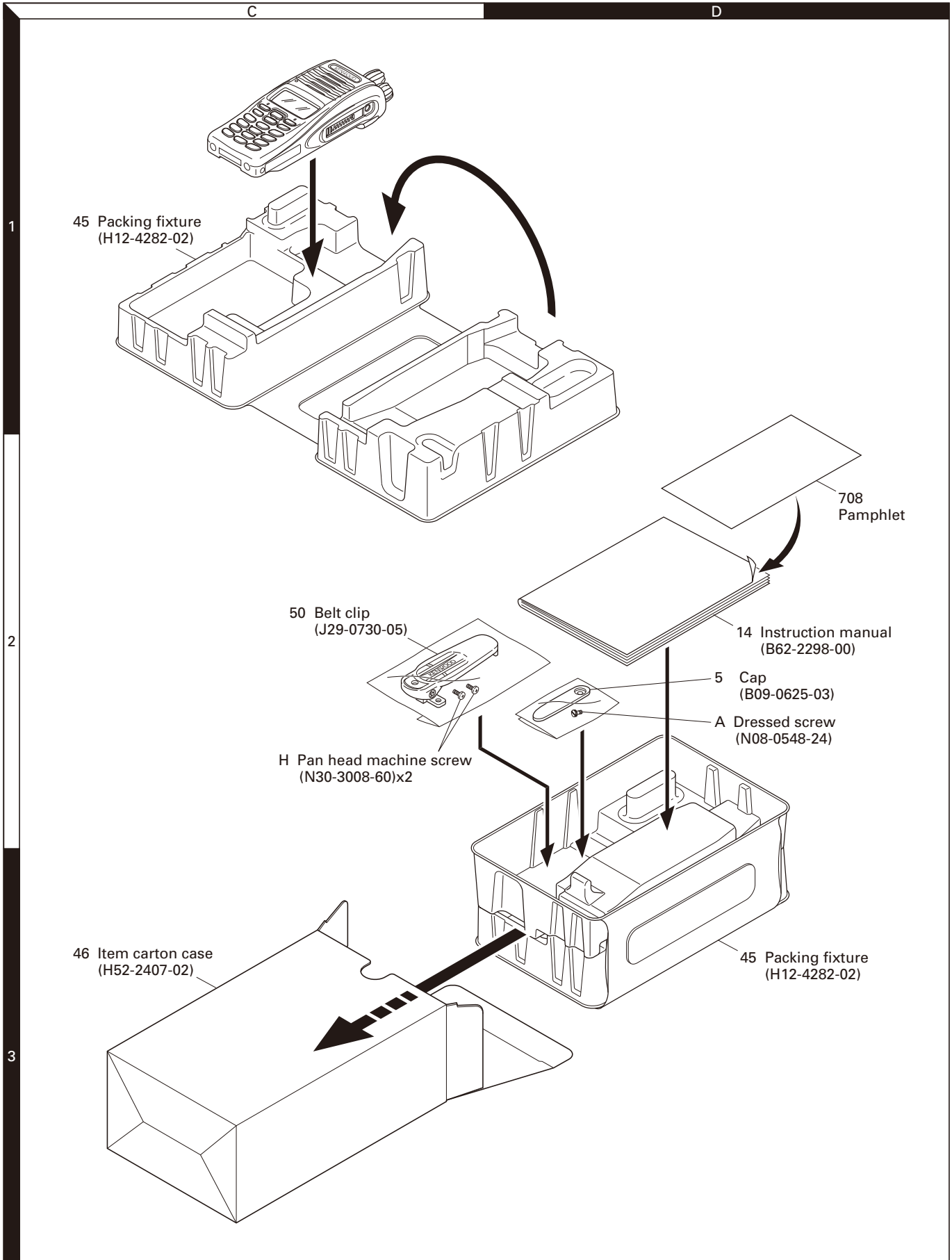


EXPLODED VIEW



Parts with the exploded numbers larger than 700 are not supplied.

PACKING



PARTS LIST

* New Parts. Δ indicates safety critical components.

Parts without **Parts No.** are not supplied.

Les articles non mentionnés dans le **Parts No.** ne sont pas fournis.

Teile ohne **Parts No.** werden nicht geliefert.

L : Scandinavia

Y : PX (Far East, Hawaii)

C : China

K : USA

T : England

X : Australia

P : Canada

E : Europe

M : Other Areas

NX-410

DISPLAY UNIT (X54-3660-10)

Ref. No.	Address	New parts	Parts No.	Description	Desti-nation
NX-410					
1	1B		A02-4076-01	MAIN CABINET (18KEY)	
2	3A		A10-4132-03	CHASSIS	
3	3B		A62-1093-12	PANEL (TOP)	
5	2D		B09-0625-03	CAP ACCESSORY	
6	1A		B10-2795-02	FRONT GLASS	
7	3B		B11-1820-04	ILLUMINATION GUIDE (TX/BUSY)	
8	2A		B11-1853-24	FILTER (LCD)	
9	2A		B11-1854-02	ILLUMINATION GUIDE (LCD)	
11	1A		B38-0923-05	LCD ASSY	
12	1A		B42-7296-04	STICKER	
13	1B		B43-1606-04	BADGE	
14	2D	*	B62-2298-00	INSTRUCTION MANUAL	
16	2B		E04-0416-25	RF COAXIAL RECEPTACLE (SMA)	
17	2B		E23-1104-04	TERMINAL (ANT)	
18	2A		E37-1462-05	LEAD WIRE WITH CONNECTOR (SP)	
19	3B		E58-0511-15	RECTANGULAR RECEPTACLE (SP/MIC)	
20	3B		E72-0419-33	TERMINAL BLOCK	
22	3A		F07-1880-04	COVER (OP BOARD)	
23	3B		F20-3350-04	INSULATING SHEET (TX-RX PCB)	
25	1B		G10-1400-04	FIBROUS SHEET (SP)	
26	1A		G11-4272-14	RUBBER CUSHION (SP)	
27	3A		G11-4273-24	SHEET (PTT)	
28	3A		G11-4308-24	RUBBER SHEET (FET)	
29	1A		G11-4458-14	SHEET (SP)	
31	3B		G11-4493-04	SHEET (VOL-RING)	
32	1B		G11-4494-04	SHEET (18KEY PACKING)	
33	2A	*	G11-4495-14	SHEET (LCD-HOLDER)	
34	3A		G13-2020-04	CUSHION (OP BOARD)	
35	2A		G13-2068-04	CUSHION (DISPLAY PCB)	
37	3A		G13-2288-04	CUSHION (DC-DC)	
38	2A		G13-2293-04	CUSHION (50PIN FPC)	
39	3B		G53-1600-12	PACKING (TOP)	
40	3B		G53-1601-04	PACKING (TERMINAL BLOCK)	
41	3A		G53-1602-14	PACKING (OP BOARD COVER)	
43	2B,3B		G53-1603-04	PACKING (SMA/SELECTOR O-RING)	
44	1B		G53-1823-11	PACKING (18KEY)	
45	1C,3D	*	H12-4282-02	PACKING FIXTURE	
46	3C	*	H52-2407-02	ITEM CARTON CASE	
48	2B		J19-5478-03	HOLDER (VOL/SELECTOR)	
49	1A		J19-5529-02	HOLDER (SP)	
50	2C		J29-0730-05	BELT CLIP ACCESSORY	
51	3B		J30-1279-04	SPACER (VOL)	
52	3B		J82-0090-35	FPC (UNIVERSAL)	
54	3A		J82-0091-35	FPC (PTT)	
55	2B		J87-0024-05	FPC (VOL/SELECTOR)	
56	2A		J99-0714-04	ADHESIVE SHEET (LCD)	
58	1A		K29-9302-33	KNOB (PTT)	
59	1B		K29-9303-03	BUTTON KNOB (SIDE)	
60	1B		K29-9304-03	KNOB (VOLUME)	
61	1B		K29-9305-03	KNOB (SELECTOR)	
A	2D		N08-0548-24	DRESSED SCREW ACCESSORY	

Ref. No.	Address	New parts	Parts No.	Description	Desti-nation
B	3B		N09-2426-14	HEXAGON HEAD SCREW (BATT-)	
C	3A		N09-6565-05	PAN HEAD SCREW (CASE/CHASSIS)	
D	3B		N14-0806-04	CIRCULAR NUT (VOL)	
E	3B		N14-0810-04	CIRCULAR NUT (SELECTOR)	
F	2A,3A		N30-2004-43	PAN HEAD MACHINE SCREW (OPB/FET)	
G	2B		N30-2604-48	PAN HEAD MACHINE SCREW (ANT)	
H	2C		N30-3008-60	PAN HEAD MACHINE SCREW (CLIP)	
J	2A,2B		N83-2005-48	PAN HEAD TAPTITE SCREW (PCB)	
K	2B		N83-2006-43	PAN HEAD TAPTITE SCREW (HOLDER)	
63	2B		R31-0652-15	VARIABLE RESISTOR (VOL)	
65	2B		S60-0430-05	ROTARY SWITCH (SELECTOR)	
67	1A		T07-0749-25	SPEAKER	
68	2A		T91-0579-05	MIC ELEMENT	
70	3A		W09-0971-05	LITHIUM CELL	
72	2A		X42-3340-10	CORD ASSY (50PIN FPC)	
-		*	X57-8070-11	SERVICE TX-RX UNIT	

DISPLAY UNIT (X54-3660-10)

D1-10			B30-2337-05	LED (YELLOW)	
D15-18			B30-2337-05	LED (YELLOW)	
C1			CK73HB1A104K	CHIP C	0.10UF K
C6-10			CK73GB1E105K	CHIP C	1.0UF K
C11,12			CK73HB1A104K	CHIP C	0.10UF K
C14			CC73HCH1H221J	CHIP C	220PF J
C15			CK73HB1A104K	CHIP C	0.10UF K
C16,17			CK73HB1H471K	CHIP C	470PF K
C20-29			CC73HCH1H470J	CHIP C	47PF J
C33-44			CC73HCH1H470J	CHIP C	47PF J
C119			CK73HB1A104K	CHIP C	0.10UF K
C122			CC73HCH1H101J	CHIP C	100PF J
C123			CS77CP1C2R2M	CHIP TNTL	2.2UF 16WV
C125			CS77CP1C2R2M	CHIP TNTL	2.2UF 16WV
C133			CS77CP1C2R2M	CHIP TNTL	2.2UF 16WV
C135			CK73HBQJ105K	CHIP C	1.0UF K
C136,137			CK73HB1H102K	CHIP C	1000PF K
C138			CC73HCH1H470J	CHIP C	47PF J
CN3			E40-6755-05	FLAT CABLE CONNECTOR	
CN8			E40-6421-15	PIN ASSY	
R1,2			RK73HB1J122J	CHIP R	1.2K J 1/16W
R3-5			RK73HB1J152J	CHIP R	1.5K J 1/16W
R6-14			RK73HB1J471J	CHIP R	470 J 1/16W
R15			RK73HB1J000J	CHIP R	0.0 J 1/16W
R16-23			RK73HB1J103J	CHIP R	10K J 1/16W
R24			RK73HB1J104J	CHIP R	100K J 1/16W
R25			RK73HB1J000J	CHIP R	0.0 J 1/16W
R26,27			RK73HB1J151J	CHIP R	150 J 1/16W
R112			RK73HB1J123J	CHIP R	12K J 1/16W
R113			RK73HB1J105J	CHIP R	1.0M J 1/16W

PARTS LIST

DISPLAY UNIT (X54-3660-10)

TX-RX UNIT (X57-8070-10)

Ref. No.	Address	New parts	Parts No.	Description	Destination
R115			RK73HB1J104J	CHIP R 100K J 1/16W	
R133			RK73HB1J470J	CHIP R 47 J 1/16W	
R134			RK73HB1J000J	CHIP R 0.0 J 1/16W	
S1-18			S70-0509-05	TACT SWITCH	
D11-14			1SS388F	DIODE	
IC102			NJM2130F3-ZB	BI-POLAR IC	
IC105			LM2682MMX	MOS-IC	
TH101			ERTJ0EV104H	THERMISTOR	
TX-RX UNIT (X57-8070-10)					
D215			B30-2278-05	LED (RED/YELLOW)	
C1,2			CK73HB1E104K	CHIP C 0.10UF K	
C3,4			CK73HB1H152K	CHIP C 1500PF K	
C5			CK73HB1H331K	CHIP C 330PF K	
C6,7			CK73HB1E104K	CHIP C 0.10UF K	
C8,9			CK73HB1E103K	CHIP C 0.010UF K	
C10-12			CK73HB1E104K	CHIP C 0.10UF K	
C13-15			CK73HB1E103K	CHIP C 0.010UF K	
C16			CK73HB1E104K	CHIP C 0.10UF K	
C17			CC73HCH1H221J	CHIP C 220PF J	
C18			CK73HB1E103K	CHIP C 0.010UF K	
C19			CK73HB1A105K	CHIP C 1.0UF K	
C20			CK73HB1H122K	CHIP C 1200PF K	
C21			CK73HB1E104K	CHIP C 0.10UF K	
C22			CK73HB1H122K	CHIP C 1200PF K	
C23			CK73HB1E104K	CHIP C 0.10UF K	
C24			CK73HB1E682K	CHIP C 6800PF K	
C25,26			CK73HB1E104K	CHIP C 0.10UF K	
C27			CK73HB1H331K	CHIP C 330PF K	
C28			CK73HB1E104K	CHIP C 0.10UF K	
C29			CK73HB1E103K	CHIP C 0.010UF K	
C30,31			CC73HCH1H470J	CHIP C 47PF J	
C32			CK73HB1E103K	CHIP C 0.010UF K	
C34-36			CK73HB1E103K	CHIP C 0.010UF K	
C37			CK73HB1H102K	CHIP C 1000PF K	
C39			CK73HB1H102K	CHIP C 1000PF K	
C40			CK73HB1A105K	CHIP C 1.0UF K	
C41			CK73HB1E103K	CHIP C 0.010UF K	
C42-44			CK73HB1E104K	CHIP C 0.10UF K	
C48			CK73GB0J475K	CHIP C 4.7UF K	
C50			CK73HB1C223K	CHIP C 0.022UF K	
C51			CK73HB1E103K	CHIP C 0.010UF K	
C52			CK73HB1E104K	CHIP C 0.10UF K	
C53			CC73HCH1H100B	CHIP C 10PF B	
C54			CC73HCH1H680J	CHIP C 68PF J	
C55			CK73HB1H332K	CHIP C 3300PF K	
C56			CC73HCH1H270J	CHIP C 27PF J	
C57			CK73HB1H681K	CHIP C 680PF K	
C61,62			CK73HB1A105K	CHIP C 1.0UF K	
C63			CC73HCH1H150J	CHIP C 15PF J	
C64			CK73HB1E103K	CHIP C 0.010UF K	
C65			CC73HCH1H470J	CHIP C 47PF J	
C66			CK73HB1A224K	CHIP C 0.22UF K	
C67			CK73HB1E103K	CHIP C 0.010UF K	
C68			CK73HB1A105K	CHIP C 1.0UF K	
C69			CK73HB1E103K	CHIP C 0.010UF K	
C70			CC73HCH1H100B	CHIP C 10PF B	
C72			CK73HB1H102K	CHIP C 1000PF K	
C73			CK73HB1A105K	CHIP C 1.0UF K	
C74			CK73HB1E103K	CHIP C 0.010UF K	
C75			CK73HB1H102K	CHIP C 1000PF K	
C76			CK73HB1E104K	CHIP C 0.10UF K	
C77			CK73HB1H102K	CHIP C 1000PF K	
C78			CC73HCH1H470J	CHIP C 47PF J	
C79			CK73HB1E104K	CHIP C 0.10UF K	
C80			CK73HB1A105K	CHIP C 1.0UF K	
C81,82			CK73HB1E104K	CHIP C 0.10UF K	
C83			CK73HB1E103K	CHIP C 0.010UF K	
C84			CK73HB1E104K	CHIP C 0.10UF K	
C85			CC73HCH1H680J	CHIP C 68PF J	
C86			CK73HB1A393K	CHIP C 0.039UF K	
C87,88			CK73HB1A563K	CHIP C 0.056UF K	
C89,90			CK73HB1E104K	CHIP C 0.10UF K	
C91			CK73HB1E103K	CHIP C 0.010UF K	
C94,95			CC73HCH1H101J	CHIP C 100PF J	
C96			CC73HCH1H470J	CHIP C 47PF J	
C97			CK73HB1E103K	CHIP C 0.010UF K	
C98			CK73HB1H102K	CHIP C 1000PF K	
C99			CK73HB1A105K	CHIP C 1.0UF K	
C100			CS77CP1A100M	CHIP TNL 10UF 10WV	
C101			CK73HB1H471K	CHIP C 470PF K	
C102			CK73HB1E104K	CHIP C 0.10UF K	
C103			CK73HB1A105K	CHIP C 1.0UF K	
C104			CK73HB1H102K	CHIP C 1000PF K	
C105			CK73HB1A563K	CHIP C 0.056UF K	
C106			CK73HB1E104K	CHIP C 0.10UF K	
C107			CK73HB1A563K	CHIP C 0.056UF K	
C108-110			CK73HB1E104K	CHIP C 0.10UF K	
C111			CK73HB1H102K	CHIP C 1000PF K	
C112			CK73HB1E103K	CHIP C 0.010UF K	
C113,114			CK73HB1A224K	CHIP C 0.22UF K	
C115			CK73GB1E105K	CHIP C 1.0UF K	
C117			CK73HB1E103K	CHIP C 0.010UF K	
C118			CK73HB1H102K	CHIP C 1000PF K	
C119			CK73HB1A105K	CHIP C 1.0UF K	
C120			CK73GB1E105K	CHIP C 1.0UF K	
C121,122			CK73HB1E103K	CHIP C 0.010UF K	
C123			CK73HB1H102K	CHIP C 1000PF K	
C125			CK73HB1E103K	CHIP C 0.010UF K	
C128			CC73HCH1H101J	CHIP C 100PF J	
C130-132			CC73HCH1H101J	CHIP C 100PF J	
C133			CK73HB1E682K	CHIP C 6800PF K	
C134			CC73HCH1H101J	CHIP C 100PF J	
C135			CC73HCH1H470J	CHIP C 47PF J	
C136-138			CK73HB1H102K	CHIP C 1000PF K	
C139,140			CC73HCH1H101J	CHIP C 100PF J	
C141			CK73HB1H102K	CHIP C 1000PF K	
C143			CK73HB1H102K	CHIP C 1000PF K	
C144,145			CC73HCH1H101J	CHIP C 100PF J	
C146-149			CC73HCH1H470J	CHIP C 47PF J	
C202			CC73HCH1H101J	CHIP C 100PF J	
C203			CK73HB1E682K	CHIP C 6800PF K	
C204			CC73HCH1H101J	CHIP C 100PF J	
C205			CK73HB1A105K	CHIP C 1.0UF K	
C206			CC73HCH1H101J	CHIP C 100PF J	
C208-210			CC73HCH1H101J	CHIP C 100PF J	

PARTS LIST

TX-RX UNIT (X57-8070-10)

Ref. No.	Address	New parts	Parts No.	Description	Desti-nation	Ref. No.	Address	New parts	Parts No.	Description	Desti-nation
C211			CC73GCH1H220J	CHIP C 22PF J		C354			CK73HB1A105K	CHIP C 1.0UF K	
C212			CK73HB1A105K	CHIP C 1.0UF K		C355			CC73HCH1H470J	CHIP C 47PF J	
C213			CK73HB1E104K	CHIP C 0.10UF K		C356			CK73HB1E103K	CHIP C 0.010UF K	
C214			CK73HB1A105K	CHIP C 1.0UF K		C357			CK73HB1E104K	CHIP C 0.10UF K	
C215			CC73HCH1H101J	CHIP C 100PF J		C361,362			CK73HB1E104K	CHIP C 0.10UF K	
C217			CK73GB0J475K	CHIP C 4.7UF K		C363			CS77CP0J100M	CHIP TNTL 10UF 6.3WV	
C218			CK73HB1E104K	CHIP C 0.10UF K		C364			CK73HB1E682K	CHIP C 6800PF K	
C219			CK73HB1A105K	CHIP C 1.0UF K		C365			CK73HB1E103K	CHIP C 0.010UF K	
C220			CK73GB0J106K	CHIP C 10UF K		C367			CK73HB1A105K	CHIP C 1.0UF K	
C221,222			CC73HCH1H101J	CHIP C 100PF J		C368,369			CK73HB1H102K	CHIP C 1000PF K	
C224			CC73HCH1H101J	CHIP C 100PF J		C371			CK73HB1E103K	CHIP C 0.010UF K	
C225			CK73HB1A224K	CHIP C 0.22UF K		C372			CK73GB1E105K	CHIP C 1.0UF K	
C226			CK73GB1E105K	CHIP C 1.0UF K		C373-375			CK73HB1E104K	CHIP C 0.10UF K	
C227			CC73HCH1H101J	CHIP C 100PF J		C376			CK73HB1E682K	CHIP C 6800PF K	
C228			CK73HB1A105K	CHIP C 1.0UF K		C377			CK73HB1E104K	CHIP C 0.10UF K	
C229			CC73HCH1H101J	CHIP C 100PF J		C378			CS77CP0J100M	CHIP TNTL 10UF 6.3WV	
C230			CS77CP1A100M	CHIP TNTL 10UF 10WV		C379			CC73HCH1H101J	CHIP C 100PF J	
C231			CK73GB0J106K	CHIP C 10UF K		C380			CC73HCH1H030B	CHIP C 3.0PF B	
C232			CC73HCH1H221J	CHIP C 220PF J		C381,382			CK73HB1E103K	CHIP C 0.010UF K	
C233			CK73HB1E103K	CHIP C 0.010UF K		C383			CK73GB1E105K	CHIP C 1.0UF K	
C234			CK73HB1A105K	CHIP C 1.0UF K		C384-388			CK73HB1E104K	CHIP C 0.10UF K	
C235			CK73GB1E105K	CHIP C 1.0UF K		C389			CK73HB1E103K	CHIP C 0.010UF K	
C236,237			CC73HCH1H101J	CHIP C 100PF J		C390			CK73GB1E105K	CHIP C 1.0UF K	
C238,239			CK73GB1E105K	CHIP C 1.0UF K		C391-394			CK73HB1E104K	CHIP C 0.10UF K	
C240			CC73HCH1H101J	CHIP C 100PF J		C396			CK73GB0J475K	CHIP C 4.7UF K	
C241			CK73FB1E475K	CHIP C 4.7UF K		C397			CK73HB1E103K	CHIP C 0.010UF K	
C242			CC73HCH1H101J	CHIP C 100PF J		C398,399			CK73HB1H102K	CHIP C 1000PF K	
C243-245			CK73HB1A224K	CHIP C 0.22UF K		C402-405			CK73GB0J106K	CHIP C 10UF K	
C246			CC73HCH1H101J	CHIP C 100PF J		C501			CK73HB1E104K	CHIP C 0.10UF K	
C247			CK73HB1E682K	CHIP C 6800PF K		C502,503			CC73HCH1H101J	CHIP C 100PF J	
C248			CK73HB1A105K	CHIP C 1.0UF K		C506			CC73HCH1H101J	CHIP C 100PF J	
C249			CK73HB1A224K	CHIP C 0.22UF K		C507			CC73HCH1H100B	CHIP C 10PF B	
C250,251			CK73GB0J106K	CHIP C 10UF K		C508,509			CK73HB1E103K	CHIP C 0.010UF K	
C252			CK73HB1A105K	CHIP C 1.0UF K		C510			CC73HCH1H100B	CHIP C 10PF B	
C254			CC73HCH1H101J	CHIP C 100PF J		C511			CK73GB1E105K	CHIP C 1.0UF K	
C255,256			CK73GB1E105K	CHIP C 1.0UF K		C512-517			CC73HCH1H101J	CHIP C 100PF J	
C257			CC73HCH1H101J	CHIP C 100PF J		C519			CK73HB1E103K	CHIP C 0.010UF K	
C258			CK73GB1E105K	CHIP C 1.0UF K		C520			CC73HCH1H101J	CHIP C 100PF J	
C259			CC73HCH1H101J	CHIP C 100PF J		C521			CK73HB1E103K	CHIP C 0.010UF K	
C260			CK73HB1A105K	CHIP C 1.0UF K		C522			C93-0787-05	CHIP C 0.1UF J	
C265,266			CC73HCH1H101J	CHIP C 100PF J		C523			CK73HB1E104K	CHIP C 0.10UF K	
C267			CC73HCH1H470J	CHIP C 47PF J		C524			CC73HCH1H101J	CHIP C 100PF J	
C301-310			CC73HCH1H470J	CHIP C 47PF J		C525			CK73HB1H471K	CHIP C 470PF K	
C315-318			CC73HCH1H470J	CHIP C 47PF J		C526,527			CC73HCH1H101J	CHIP C 100PF J	
C321			CC73HCH1H470J	CHIP C 47PF J		C528			CK73HB1E104K	CHIP C 0.10UF K	
C326			CC73HCH1H470J	CHIP C 47PF J		C529			CC73HCH1H101J	CHIP C 100PF J	
C327,328			CK73HB1E104K	CHIP C 0.10UF K		C530			CK73HB1E682K	CHIP C 6800PF K	
C329			CK73HB1A105K	CHIP C 1.0UF K		C532			CC73HCH1H470J	CHIP C 47PF J	
C330			CK73HB1E103K	CHIP C 0.010UF K		C533			CK73HB1A105K	CHIP C 1.0UF K	
C332			CK73HB1H102K	CHIP C 1000PF K		C534			CK73HB1E104K	CHIP C 0.10UF K	
C333-339			CK73HB1E104K	CHIP C 0.10UF K		C536			CC73HCH1H101J	CHIP C 100PF J	
C340			CC73HCH1H101J	CHIP C 100PF J		C538			CK73HB1H472K	CHIP C 4700PF K	
C341			CK73HB1E104K	CHIP C 0.10UF K		C539			CK73HB1A105K	CHIP C 1.0UF K	
C343			CK73HB1H102K	CHIP C 1000PF K		C540			CK73HB1H471K	CHIP C 470PF K	
C344			CK73HB1A105K	CHIP C 1.0UF K		C541			CC73HCH1H101J	CHIP C 100PF J	
C345,346			CK73HB1E103K	CHIP C 0.010UF K		C542			CS77CA1VR15M	CHIP TNTL 0.15UF 35WV	
C347			CK73HB1A105K	CHIP C 1.0UF K		C543			CS77BA1D100M	CHIP TNTL 10UF 20WV	
C348			CK73HB1E104K	CHIP C 0.10UF K		C544			C92-0863-05	CHIP TNTL 0.047UF 35WV	
C349			CK73HB1A105K	CHIP C 1.0UF K		C545,546			CC73HCH1H101J	CHIP C 100PF J	
C350-353			CK73HB1E104K	CHIP C 0.10UF K		C547			CK73HB1E104K	CHIP C 0.10UF K	

PARTS LIST

TX-RX UNIT (X57-8070-10)

Ref. No.	Address	New parts	Parts No.	Description	Destination	Ref. No.	Address	New parts	Parts No.	Description	Destination
C548			CS77CP0J100M	CHIP TNTL 10UF 6.3WV		C670			CK73GB1E105K	CHIP C 1.0UF K	
C549,550			CK73HB1H471K	CHIP C 470PF K		C671			C93-0974-05	CHIP C 3.3PF G	
C551			CC73HCH1H0R5B	CHIP C 0.5PF B		C673			CK73HB1E103K	CHIP C 0.010UF K	
C552			CK73HB1H471K	CHIP C 470PF K		C676			CC73HCH1HR75B	CHIP C 0.75PF B	
C553,554			CC73HCH1H080B	CHIP C 8.0PF B		C677			CC73HCH1H101J	CHIP C 100PF J	
C555			CC73HCH1H1R5B	CHIP C 1.5PF B		C680			CC73HCH1H101J	CHIP C 100PF J	
C556			CC73HCH1H040B	CHIP C 4.0PF B		C681			CC73HCH1H060B	CHIP C 6.0PF B	
C557			CK73GB0J475K	CHIP C 4.7UF K		C684			CC73HCH1H101J	CHIP C 100PF J	
C558			CC73HCH1H050B	CHIP C 5.0PF B		C687			CC73GCH1H101J	CHIP C 100PF J	
C559			CK73HB1H471K	CHIP C 470PF K		C689			CC73HCH1H101J	CHIP C 100PF J	
C560-562			CC73HCH1H101J	CHIP C 100PF J		C690			CC73GCH1H020B	CHIP C 2.0PF B	
C563,564			CC73HCH1H0R5B	CHIP C 0.5PF B		C691			CC73HCH1H020B	CHIP C 2.0PF B	
C565,566			CC73HCH1H040B	CHIP C 4.0PF B		C692,693			CC73HCH1H101J	CHIP C 100PF J	
C567,568			CC73HCH1H050B	CHIP C 5.0PF B		C694			CC73GCH1H101J	CHIP C 100PF J	
C569			CK73HB1H471K	CHIP C 470PF K		C697			CC73HCH1H101J	CHIP C 100PF J	
C570,571			CC73HCH1H0R5B	CHIP C 0.5PF B		C698			CC73GCH1H101J	CHIP C 100PF J	
C572			CC73HCH1H060B	CHIP C 6.0PF B		C700			CC73GCH1H040B	CHIP C 4.0PF B	
C573			CC73HCH1H101J	CHIP C 100PF J		C701			CC73GCH1H101J	CHIP C 100PF J	
C574			CC73HCH1H040B	CHIP C 4.0PF B		C702,703			CC73GCH1H0R5B	CHIP C 0.5PF B	
C575			CC73HCH1H101J	CHIP C 100PF J		C705			CC73GCH1H060B	CHIP C 6.0PF B	
C576			CC73HCH1H020B	CHIP C 2.0PF B		C706			CC73GCH1H150G	CHIP C 15PF G	
C577			CC73HCH1H120J	CHIP C 12PF J		C707			CK73HB1E104K	CHIP C 0.10UF K	
C578			CC73HCH1H020B	CHIP C 2.0PF B		C709,710			CC73HCH1H101J	CHIP C 100PF J	
C579			CC73HCH1H101J	CHIP C 100PF J		C711			CC73HCH1H040B	CHIP C 4.0PF B	
C580			CC73HCH1H150J	CHIP C 15PF J		C712			CC73HCH1H101J	CHIP C 100PF J	
C581			CC73HCH1H1R5B	CHIP C 1.5PF B		C714			CC73HCH1H101J	CHIP C 100PF J	
C582-585			CC73HCH1H101J	CHIP C 100PF J		C715			CK73HB1E104K	CHIP C 0.10UF K	
C588			CC73HCH1H020B	CHIP C 2.0PF B		C716			CC73HCH1H040B	CHIP C 4.0PF B	
C589			CC73HCH1H050B	CHIP C 5.0PF B		C717			CC73HCH1H101J	CHIP C 100PF J	
C590			CC73HCH1H040B	CHIP C 4.0PF B		C801			CK73HB1E104K	CHIP C 0.10UF K	
C591			CC73HCH1H120J	CHIP C 12PF J		C803			CK73GB0J106K	CHIP C 10UF K	
C592			CC73HCH1H050B	CHIP C 5.0PF B		C804-808			CK73HB1E104K	CHIP C 0.10UF K	
C593-595			CC73HCH1H101J	CHIP C 100PF J		C809,810			CC73HCH1H270J	CHIP C 27PF J	
C596,597			CK73HB1E103K	CHIP C 0.010UF K		C811			CC73HCH1H070B	CHIP C 7.0PF B	
C601,602			CC73HCH1H101J	CHIP C 100PF J		C812			CK73HB1E103K	CHIP C 0.010UF K	
C609			CC73HCH1H101J	CHIP C 100PF J		C813			CC73HCH1H100B	CHIP C 10PF B	
C610			CC73HCH1H040B	CHIP C 4.0PF B		C814			CC73HCH1H680J	CHIP C 68PF J	
C612			CC73HCH1H101J	CHIP C 100PF J		C815			CC73HCH1H101J	CHIP C 100PF J	
C617			CC73HCH1H101J	CHIP C 100PF J		C816			CC73HCH1H680J	CHIP C 68PF J	
C620			CK73HB1E104K	CHIP C 0.10UF K		C817			CC73HCH1H100B	CHIP C 10PF B	
C624			CC73HCH1H030B	CHIP C 3.0PF B		C818			CK73HB1E103K	CHIP C 0.010UF K	
C629			CC73HCH1H101J	CHIP C 100PF J		C819			CK73GB0J106K	CHIP C 10UF K	
C632			CC73HCH1H050B	CHIP C 5.0PF B		C820,821			CK73HB1E104K	CHIP C 0.10UF K	
C641			CC73HCH1H150J	CHIP C 15PF J		C822			CK73HB1E103K	CHIP C 0.010UF K	
C643			CC73HCH1H101J	CHIP C 100PF J		C824-826			CK73HB1E104K	CHIP C 0.10UF K	
C645			CC73HCH1H101J	CHIP C 100PF J		C827			CC73HCH1H100B	CHIP C 10PF B	
C649			CK73GB1E105K	CHIP C 1.0UF K		C828-830			CK73HB1E104K	CHIP C 0.10UF K	
C650,651			CC73HCH1H101J	CHIP C 100PF J		C831			CK73FB1E474K	CHIP C 0.47UF K	
C652			CK73HB1E104K	CHIP C 0.10UF K		C832			CC73HCH1H820J	CHIP C 82PF J	
C654			CC73GCH1H040B	CHIP C 4.0PF B		C833			CC73HCH1H020B	CHIP C 2.0PF B	
C656			CK73HB1H471K	CHIP C 470PF K		C834			CK73HB1E103K	CHIP C 0.010UF K	
C657			CS77BA1A4R7M	CHIP TNTL 4.7UF 10WV		C836			CK73HB1E103K	CHIP C 0.010UF K	
C658			CC73HCH1H220G	CHIP C 22PF G		C837			CC73HCH1H050B	CHIP C 5.0PF B	
C659			CC73HCH1H101J	CHIP C 100PF J		C838			CC73HCH1H101J	CHIP C 100PF J	
C662			C93-0939-05	CHIP C 15PF G		C839			CK73HB1E103K	CHIP C 0.010UF K	
C664,665			CC73HCH1H101J	CHIP C 100PF J		C840			CC73HCH1H101J	CHIP C 100PF J	
C666		*	C93-0971-05	CHIP C 2.4PF B		C841			CC73HCH1H470G	CHIP C 47PF G	
C667			CC73HCH1H101J	CHIP C 100PF J		C842			CK73HB1E103K	CHIP C 0.010UF K	
C668			CK73HB1E103K	CHIP C 0.010UF K		C843			CC73HCH1H470G	CHIP C 47PF G	
C669			CK73HB1E104K	CHIP C 0.10UF K		C844			CK73HB1A105K	CHIP C 1.0UF K	

PARTS LIST

TX-RX UNIT (X57-8070-10)

Ref. No.	Address	New parts	Parts No.	Description	Desti-nation	Ref. No.	Address	New parts	Parts No.	Description	Desti-nation
C845			CC73HCH1H220G	CHIP C 22PF G		L212			L33-1530-05	SMALL FIXED INDUCTOR	
C846			CK73HB1E103K	CHIP C 0.010UF K		L213,214			L92-0467-05	CHIP FERRITE	
C847			CC73HCH1H060B	CHIP C 6.0PF B		L306			L92-0444-05	CHIP FERRITE	
C848			CK73HB1E103K	CHIP C 0.010UF K		L307			L92-0162-05	BEADS CORE	
C849			CC73HCH1H101J	CHIP C 100PF J		L308			L92-0444-05	CHIP FERRITE	
C850			CC73HCH1H060B	CHIP C 6.0PF B		L309			L92-0162-05	BEADS CORE	
C851			CK73HB1E103K	CHIP C 0.010UF K		L310			L92-0444-05	CHIP FERRITE	
C852			CC73HCH1H100B	CHIP C 10PF B		L311,312			L92-0162-05	BEADS CORE	
C853			CC73HCH1H330J	CHIP C 33PF J		L313			L92-0444-05	CHIP FERRITE	
C855			CC73HCH1H040B	CHIP C 4.0PF B		L314			L92-0163-05	BEADS CORE	
C856			CK73HB1E103K	CHIP C 0.010UF K		L315			L92-0444-05	CHIP FERRITE	
C857			CC73HCH1H101J	CHIP C 100PF J		L316			L92-0140-05	CHIP FERRITE	
C858			CC73HCH1H040B	CHIP C 4.0PF B		L317,318			L92-0444-05	CHIP FERRITE	
C859			CC73HCH1H330J	CHIP C 33PF J		L319,320			L92-0162-05	BEADS CORE	
C860,861			CC73HCH1H010B	CHIP C 1.0PF B		L501			L41-4795-39	SMALL FIXED INDUCTOR (4.7UH)	
C862			CC73HCH1H030B	CHIP C 3.0PF B		L502-504			L92-0163-05	BEADS CORE	
C863			CC73HCH1H020B	CHIP C 2.0PF B		L505-507			L40-2785-92	SMALL FIXED INDUCTOR (270NH)	
C864			CC73HCH1H010B	CHIP C 1.0PF B		L508			L40-2285-92	SMALL FIXED INDUCTOR (220NH)	
C865,866			CC73HCH1H040B	CHIP C 4.0PF B		L509,510			L40-2785-92	SMALL FIXED INDUCTOR (270NH)	
C870			CC73HCH1H101J	CHIP C 100PF J		L511,512			L33-0745-05	SMALL FIXED INDUCTOR	
C872			CC73HCH1H020B	CHIP C 2.0PF B		L513			L92-0446-05	BEADS CORE	
C874			CC73HCH1H101J	CHIP C 100PF J		L514-516			L40-2785-92	SMALL FIXED INDUCTOR (270NH)	
C880			CC73HCH1H080B	CHIP C 8.0PF B		L517			L40-2763-92	SMALL FIXED INDUCTOR (2.7NH)	
C882			CC73HCH1H101J	CHIP C 100PF J		L518			L41-1078-45	SMALL FIXED INDUCTOR (10NH)	
C885			CC73HCH1H101J	CHIP C 100PF J		L519,520	*		L40-2263-71	SMALL FIXED INDUCTOR (2.2NH)	
C886			CK73HB1E104K	CHIP C 0.10UF K		L521,522			L40-1075-71	SMALL FIXED INDUCTOR (10NH)	
C887			CK73HB1E103K	CHIP C 0.010UF K		L523			L40-8265-92	SMALL FIXED INDUCTOR (8.2NH)	
C888			CC73HCH1H101J	CHIP C 100PF J		L524-526			L40-1075-71	SMALL FIXED INDUCTOR (10NH)	
C895,896			CC73HCH1H101J	CHIP C 100PF J		L527			L40-2775-71	SMALL FIXED INDUCTOR (27NH)	
C897			CC73HCH1H020B	CHIP C 2.0PF B		L528			L40-2785-92	SMALL FIXED INDUCTOR (270NH)	
C899			CC73HCH1H150J	CHIP C 15PF J		L529	*		L40-3363-71	SMALL FIXED INDUCTOR (3.3NH)	
C901			CC73HCH1H101J	CHIP C 100PF J		L601			L40-1075-92	SMALL FIXED INDUCTOR (10NH)	
C908,909			CC73HCH1H101J	CHIP C 100PF J		L602			L40-5663-92	SMALL FIXED INDUCTOR (5.6NH)	
CN4			E41-3167-05	FLAT CABLE CONNECTOR		L603			L92-0138-05	CHIP FERRITE	
CN5			E41-1486-05	PIN ASSY		L604			L40-5667-92	SMALL FIXED INDUCTOR (5.6NH)	
CN6			E40-6853-05	FLAT CABLE CONNECTOR		L605			L41-3978-45	SMALL FIXED INDUCTOR (39NH)	
CN201	*		E41-3185-05	FLAT CABLE CONNECTOR		L606			L92-0149-05	CHIP FERRITE	
CN202	*		E23-1263-15	TERMINAL		L607			L40-2263-92	SMALL FIXED INDUCTOR (2.2NH)	
CN301			E40-6422-15	SOCKET FOR PIN ASSY		L608			L34-4550-05	AIR-CORE COIL	
CN307			E40-6586-05	SOCKET FOR PIN ASSY		L609			L92-0149-05	CHIP FERRITE	
CN321			E40-6389-05	PIN ASSY		L610			L41-7568-45	SMALL FIXED INDUCTOR (7.5NH)	
CN601			E23-1262-05	TERMINAL		L613			L41-6878-43	SMALL FIXED INDUCTOR (68NH)	
CN923			E40-6358-05	SOCKET FOR PIN ASSY		L614			L34-4604-15	AIR-CORE COIL	
F201			F53-0324-15	FUSE (2.5A)		L615			L79-1468-05	FILTER MODULE	
F301			F53-0360-05	FUSE (0.25A)		L616			L34-4604-15	AIR-CORE COIL	
CN204			J19-5386-05	HOLDER (LITHIUM CELL)		L617			L34-4606-15	AIR-CORE COIL	
CF801			L72-1017-05	CERAMIC FILTER		L618			L40-1075-92	SMALL FIXED INDUCTOR (10NH)	
CF802			L72-1040-05	CERAMIC FILTER		L619			L40-1275-92	SMALL FIXED INDUCTOR (12NH)	
L2			L92-0140-05	CHIP FERRITE		L620			L40-2263-92	SMALL FIXED INDUCTOR (2.2NH)	
L3-6			L92-0408-05	CHIP FERRITE		L621			L40-3963-92	SMALL FIXED INDUCTOR (3.9NH)	
L7			L92-0140-05	CHIP FERRITE		L622			L40-3975-71	SMALL FIXED INDUCTOR (39NH)	
L8,9			L92-0408-05	CHIP FERRITE		L801			L40-2702-86	SMALL FIXED INDUCTOR (27UH)	
L203			L92-0408-05	CHIP FERRITE		L802			L40-5681-86	SMALL FIXED INDUCTOR (0.56UH)	
L204			L33-1494-05	SMALL FIXED INDUCTOR		L803			L41-4778-45	SMALL FIXED INDUCTOR (47NH)	
L205,206			L92-0162-05	BEADS CORE		L804			L40-1085-57	SMALL FIXED INDUCTOR (100NH)	
L207			L92-0466-05	CHIP FERRITE		L805			L40-1891-86	SMALL FIXED INDUCTOR (1.8UH)	
L208			L92-0149-05	CHIP FERRITE		L806			L92-0138-05	CHIP FERRITE	
L209,210			L92-0467-05	CHIP FERRITE		L807			L92-0446-05	BEADS CORE	
						L808			L40-1885-92	SMALL FIXED INDUCTOR (180NH)	
						L809			L40-1575-92	SMALL FIXED INDUCTOR (15NH)	

PARTS LIST

TX-RX UNIT (X57-8070-10)

Ref. No.	Address	New parts	Parts No.	Description	Destination	Ref. No.	Address	New parts	Parts No.	Description	Destination
L810			L40-1085-92	SMALL FIXED INDUCTOR (100NH)		R56			RK73HB1J823J	CHIP R 82K J 1/16W	
L811			L41-8768-45	SMALL FIXED INDUCTOR (8.7NH)		R57,58			RK73HB1J473J	CHIP R 47K J 1/16W	
L812			L40-1075-92	SMALL FIXED INDUCTOR (10NH)		R59,60			RK73HB1J474J	CHIP R 470K J 1/16W	
L813			L40-8265-92	SMALL FIXED INDUCTOR (8.2NH)		R61			RK73HB1J000J	CHIP R 0.0 J 1/16W	
L814			L40-6865-71	SMALL FIXED INDUCTOR (6.8NH)		R62			RK73HB1J564J	CHIP R 560K J 1/16W	
L815			L40-5663-71	SMALL FIXED INDUCTOR (5.6NH)		R63			RK73HB1J823J	CHIP R 82K J 1/16W	
L816			L40-8265-71	SMALL FIXED INDUCTOR (8.2NH)		R64			RK73HB1J103J	CHIP R 10K J 1/16W	
L817			L41-8768-45	SMALL FIXED INDUCTOR (8.7NH)		R65			RK73HB1J823J	CHIP R 82K J 1/16W	
L820			L79-1928-05	FILTER		R66			RK73HB1J474J	CHIP R 470K J 1/16W	
L822		*	L41-1665-45	SMALL FIXED INDUCTOR (1.6NH)		R67			RK73HB1J103J	CHIP R 10K J 1/16W	
L824			L41-1278-45	SMALL FIXED INDUCTOR (12NH)		R69,70			RK73HB1J103J	CHIP R 10K J 1/16W	
L825			L92-0446-05	BEADS CORE		R71,72			RK73HB1J683J	CHIP R 68K J 1/16W	
L828			L41-6868-45	SMALL FIXED INDUCTOR (6.8NH)		R73			RK73HB1J000J	CHIP R 0.0 J 1/16W	
L830			L79-1928-05	FILTER		R74			RK73HB1J105J	CHIP R 1.0M J 1/16W	
L831			L41-5165-45	SMALL FIXED INDUCTOR (5.1NH)		R75			RK73HB1J683J	CHIP R 68K J 1/16W	
L833		*	L40-3363-71	SMALL FIXED INDUCTOR (3.3NH)		R76			RK73HB1J103J	CHIP R 10K J 1/16W	
X301			L77-1802-05	CRYSTAL RESONATOR (32.768KHZ)		R77			RK73HB1J104J	CHIP R 100K J 1/16W	
X302			L77-3015-05	TCXO (18.432MHZ)		R78			RK73HB1J000J	CHIP R 0.0 J 1/16W	
X501			L77-3016-05	TCXO (19.2MHZ)		R79			RK73HB1J474J	CHIP R 470K J 1/16W	
XF801			L71-0640-05	MCF (58.05MHZ)		R80			RK73HB1J104J	CHIP R 100K J 1/16W	
CP1			RK74HB1J101J	CHIP-COM 100 J 1/16W		R81			RK73HB1J393J	CHIP R 39K J 1/16W	
CP21			RK74HB1J101J	CHIP-COM 100 J 1/16W		R82			RK73HB1J274J	CHIP R 270K J 1/16W	
R1-6			RK73HB1J223J	CHIP R 22K J 1/16W		R83			RK73HB1J104J	CHIP R 100K J 1/16W	
R7			RK73HB1J153J	CHIP R 15K J 1/16W		R84			RK73HB1J000J	CHIP R 0.0 J 1/16W	
R8			RK73HB1J472J	CHIP R 4.7K J 1/16W		R85			RK73HB1J153J	CHIP R 15K J 1/16W	
R9			RK73HB1J103J	CHIP R 10K J 1/16W		R87			RK73HB1J333J	CHIP R 33K J 1/16W	
R10,11			RK73HB1J473J	CHIP R 47K J 1/16W		R90			RK73HB1J682J	CHIP R 6.8K J 1/16W	
R12			RK73HB1J682J	CHIP R 6.8K J 1/16W		R91			RK73HB1J473J	CHIP R 47K J 1/16W	
R13			RK73HB1J103J	CHIP R 10K J 1/16W		R92			RK73HB1J000J	CHIP R 0.0 J 1/16W	
R14			RK73HB1J683J	CHIP R 68K J 1/16W		R93			RK73HB1J473J	CHIP R 47K J 1/16W	
R15			RK73HB1J103J	CHIP R 10K J 1/16W		R94			RK73HB1J683J	CHIP R 68K J 1/16W	
R16			RK73HB1J104J	CHIP R 100K J 1/16W		R95			RK73HB1J564J	CHIP R 560K J 1/16W	
R17			RK73HB1J334J	CHIP R 330K J 1/16W		R96			RK73HB1J333J	CHIP R 33K J 1/16W	
R18			RK73HB1J000J	CHIP R 0.0 J 1/16W		R97			RK73HB1J104J	CHIP R 100K J 1/16W	
R19,20			RK73HB1J563J	CHIP R 56K J 1/16W		R98			RK73HB1J102J	CHIP R 1.0K J 1/16W	
R21			RK73HB1J000J	CHIP R 0.0 J 1/16W		R99			RK73HB1J472J	CHIP R 4.7K J 1/16W	
R27			RK73HB1J103J	CHIP R 10K J 1/16W		R100			RK73HB1J684J	CHIP R 680K J 1/16W	
R28			RK73HB1J183J	CHIP R 18K J 1/16W		R101			RK73HB1J153J	CHIP R 15K J 1/16W	
R29,30			RK73HB1J104J	CHIP R 100K J 1/16W		R102			RK73HB1J123J	CHIP R 12K J 1/16W	
R31			RK73HB1J183J	CHIP R 18K J 1/16W		R103			RK73HB1J564J	CHIP R 560K J 1/16W	
R32			RK73HB1J124J	CHIP R 120K J 1/16W		R104-106			RK73HB1J104J	CHIP R 100K J 1/16W	
R33			RK73HB1J000J	CHIP R 0.0 J 1/16W		R107			RK73HB1J333J	CHIP R 33K J 1/16W	
R34			RK73HB1J473J	CHIP R 47K J 1/16W		R108,109			RK73HB1J102J	CHIP R 1.0K J 1/16W	
R35			RK73HB1J154J	CHIP R 150K J 1/16W		R110			RK73HB1J153J	CHIP R 15K J 1/16W	
R36			RK73HB1J104J	CHIP R 100K J 1/16W		R111			RK73HB1J104J	CHIP R 100K J 1/16W	
R37			RK73HB1J000J	CHIP R 0.0 J 1/16W		R112			RK73HB1J474J	CHIP R 470K J 1/16W	
R38			RK73HB1J104J	CHIP R 100K J 1/16W		R113			RK73HB1J104J	CHIP R 100K J 1/16W	
R39			RK73HB1J564J	CHIP R 560K J 1/16W		R114,115			RK73HB1J102J	CHIP R 1.0K J 1/16W	
R40			RK73HB1J473J	CHIP R 47K J 1/16W		R121			RK73HB1J104J	CHIP R 100K J 1/16W	
R41			RK73HB1J224J	CHIP R 220K J 1/16W		R122			RK73HB1J334J	CHIP R 330K J 1/16W	
R42,43			RK73HB1J334J	CHIP R 330K J 1/16W		R125			RK73HB1J103J	CHIP R 10K J 1/16W	
R44			RK73HB1J473J	CHIP R 47K J 1/16W		R126			RK73HB1J471J	CHIP R 470 J 1/16W	
R45			RK73HB1J000J	CHIP R 0.0 J 1/16W		R127			RK73HB1J334J	CHIP R 330K J 1/16W	
R46			RK73HB1J102J	CHIP R 1.0K J 1/16W		R129			RK73HB1J104J	CHIP R 100K J 1/16W	
R48			RK73HB1J000J	CHIP R 0.0 J 1/16W		R132			RK73HB1J182J	CHIP R 1.8K J 1/16W	
R49			RK73HB1J473J	CHIP R 47K J 1/16W		R133			RK73HB1J104J	CHIP R 100K J 1/16W	
R50			RK73HB1J000J	CHIP R 0.0 J 1/16W		R134			RK73HB1J471J	CHIP R 470 J 1/16W	
R52			RK73HB1J562J	CHIP R 5.6K J 1/16W		R135,136			RK73HB1J223D	CHIP R 22K D 1/16W	
R53			RK73HB1J273J	CHIP R 27K J 1/16W		R137,138			RK73HB1J104D	CHIP R 100K D 1/16W	
R54,55			RK73HB1J102J	CHIP R 1.0K J 1/16W		R139			RK73HB1J223J	CHIP R 22K J 1/16W	

PARTS LIST

TX-RX UNIT (X57-8070-10)

Ref. No.	Address	New parts	Parts No.	Description	Desti-nation	Ref. No.	Address	New parts	Parts No.	Description	Desti-nation
R140			RK73HH1J223D	CHIP R 22K D 1/16W		R247			RK73HB1J102J	CHIP R 1.0K J 1/16W	
R141			RK73HB1J102J	CHIP R 1.0K J 1/16W		R248,249			RK73HB1J473J	CHIP R 47K J 1/16W	
R142			RK73HB1J333J	CHIP R 33K J 1/16W		R250			RK73HB1J102J	CHIP R 1.0K J 1/16W	
R143			RK73HH1J223D	CHIP R 22K D 1/16W		R251			RK73HB1J103J	CHIP R 10K J 1/16W	
R144			RK73HB1J223J	CHIP R 22K J 1/16W		R252			RK73HB1J474J	CHIP R 470K J 1/16W	
R145			RK73HB1J102J	CHIP R 1.0K J 1/16W		R253			RK73HB1J000J	CHIP R 0.0 J 1/16W	
R146			RK73HB1J332J	CHIP R 3.3K J 1/16W		R258			RK73HB1J472J	CHIP R 4.7K J 1/16W	
R147			RK73HB1J104J	CHIP R 100K J 1/16W		R260			RK73HB1J391J	CHIP R 390 J 1/16W	
R148			RK73HB1J393J	CHIP R 39K J 1/16W		R261			RK73HB1J821J	CHIP R 820 J 1/16W	
R149			RK73HB1J334J	CHIP R 330K J 1/16W		R263			RK73HB1J472J	CHIP R 4.7K J 1/16W	
R150			RK73HB1J184J	CHIP R 180K J 1/16W		R264			RK73HB1J100J	CHIP R 10 J 1/16W	
R151			RK73HB1J103J	CHIP R 10K J 1/16W		R269			RK73HB1J000J	CHIP R 0.0 J 1/16W	
R152-154			RK73HB1J000J	CHIP R 0.0 J 1/16W		R271			RK73HB1J000J	CHIP R 0.0 J 1/16W	
R155			RK73HB1J473J	CHIP R 47K J 1/16W		R301,302			RK73HB1J103J	CHIP R 10K J 1/16W	
R156			RK73HB1J104J	CHIP R 100K J 1/16W		R303			RK73HB1J000J	CHIP R 0.0 J 1/16W	
R157			RK73HB1J822J	CHIP R 8.2K J 1/16W		R304,305			RK73HB1J101J	CHIP R 100 J 1/16W	
R158			RK73HB1J471J	CHIP R 470 J 1/16W		R306			RK73HB1J000J	CHIP R 0.0 J 1/16W	
R159			RK73HH1J104D	CHIP R 100K D 1/16W		R307			RK73HB1J101J	CHIP R 100 J 1/16W	
R160			RK73HB1J000J	CHIP R 0.0 J 1/16W		R308			RK73HB1J000J	CHIP R 0.0 J 1/16W	
R161			RK73GB2A000J	CHIP R 0.0 J 1/10W		R310,311			RK73HB1J104J	CHIP R 100K J 1/16W	
R162			RK73HH1J104D	CHIP R 100K D 1/16W		R313-317			RK73HB1J104J	CHIP R 100K J 1/16W	
R163			RK73HB1J000J	CHIP R 0.0 J 1/16W		R319			RK73HB1J104J	CHIP R 100K J 1/16W	
R164			RK73HB1J473J	CHIP R 47K J 1/16W		R320			RK73HB1J000J	CHIP R 0.0 J 1/16W	
R165,166			RK73HB1J103J	CHIP R 10K J 1/16W		R321			RK73HB1J474J	CHIP R 470K J 1/16W	
R167-170			RK73HB1J102J	CHIP R 1.0K J 1/16W		R322			RK73HB1J102J	CHIP R 1.0K J 1/16W	
R171			RK73HB1J101J	CHIP R 100 J 1/16W		R323			RK73HB1J473J	CHIP R 47K J 1/16W	
R172			RK73HB1J102J	CHIP R 1.0K J 1/16W		R324			RK73HB1J102J	CHIP R 1.0K J 1/16W	
R173-175			RK73HB1J101J	CHIP R 100 J 1/16W		R325			RK73HB1J104J	CHIP R 100K J 1/16W	
R176			RK73HB1J102J	CHIP R 1.0K J 1/16W		R326			RK73HB1J473J	CHIP R 47K J 1/16W	
R177			RK73HB1J000J	CHIP R 0.0 J 1/16W		R327			RK73HB1J472J	CHIP R 4.7K J 1/16W	
R201,202			RK73HB1J683J	CHIP R 68K J 1/16W		R328			RK73HB1J331J	CHIP R 330 J 1/16W	
R203			RK73HB1J102J	CHIP R 1.0K J 1/16W		R329			RK73HB1J472J	CHIP R 4.7K J 1/16W	
R204,205			RK73HB1J222J	CHIP R 2.2K J 1/16W		R330			RK73HB1J000J	CHIP R 0.0 J 1/16W	
R211,212			RK73HB1J102J	CHIP R 1.0K J 1/16W		R331			RK73HB1J473J	CHIP R 47K J 1/16W	
R213			RK73HB1J000J	CHIP R 0.0 J 1/16W		R333			RK73HB1J104J	CHIP R 100K J 1/16W	
R214			RK73HB1J100J	CHIP R 10 J 1/16W		R336			RK73HB1J104J	CHIP R 100K J 1/16W	
R215			RK73HH1J683D	CHIP R 68K D 1/16W		R338-340			RK73HB1J104J	CHIP R 100K J 1/16W	
R216			RK73HH1J333D	CHIP R 33K D 1/16W		R342-344			RK73HB1J104J	CHIP R 100K J 1/16W	
R217			RK73HB1J474J	CHIP R 470K J 1/16W		R345			RK73HB1J103J	CHIP R 10K J 1/16W	
R219			RK73HB1J474J	CHIP R 470K J 1/16W		R346			RK73HB1J104J	CHIP R 100K J 1/16W	
R220			RK73GB2A000J	CHIP R 0.0 J 1/10W		R347			RK73HB1J474J	CHIP R 470K J 1/16W	
R221			RK73HB1J102J	CHIP R 1.0K J 1/16W		R348			RK73HB1J331J	CHIP R 330 J 1/16W	
R222			RK73HB1J474J	CHIP R 470K J 1/16W		R349,350			RK73HB1J000J	CHIP R 0.0 J 1/16W	
R223			RK73HB1J471J	CHIP R 470 J 1/16W		R352-359			RK73HB1J000J	CHIP R 0.0 J 1/16W	
R224			RK73HB1J564J	CHIP R 560K J 1/16W		R361-363			RK73HB1J000J	CHIP R 0.0 J 1/16W	
R225			RK73HB1J154J	CHIP R 150K J 1/16W		R364,365			RK73HB1J104J	CHIP R 100K J 1/16W	
R226			RK73HB1J103J	CHIP R 10K J 1/16W		R366			RK73HB1J473J	CHIP R 47K J 1/16W	
R227,228			RK73HB1J474J	CHIP R 470K J 1/16W		R367,368			RK73HB1J472J	CHIP R 4.7K J 1/16W	
R229-231			RK73HB1J104J	CHIP R 100K J 1/16W		R369,370			RK73HB1J000J	CHIP R 0.0 J 1/16W	
R232-235			RK73HB1J474J	CHIP R 470K J 1/16W		R372,373			RK73HB1J220J	CHIP R 22 J 1/16W	
R236			RK73HB1J104J	CHIP R 100K J 1/16W		R374			RK73GB2A000J	CHIP R 0.0 J 1/10W	
R237,238			RK73HB1J474J	CHIP R 470K J 1/16W		R375-378			RK73HB1J000J	CHIP R 0.0 J 1/16W	
R239			RK73HB1J473J	CHIP R 47K J 1/16W		R379			RK73HH1J104D	CHIP R 100K D 1/16W	
R240			RK73HB1J102J	CHIP R 1.0K J 1/16W		R380			RK73HB1J474J	CHIP R 470K J 1/16W	
R241			RK73HB1J103J	CHIP R 10K J 1/16W		R381			RK73HB1J121J	CHIP R 120 J 1/16W	
R242			RK73HB1J474J	CHIP R 470K J 1/16W		R382			RK73HB1J102J	CHIP R 1.0K J 1/16W	
R243			RK73HB1J103J	CHIP R 10K J 1/16W		R383			RK73HB1J104J	CHIP R 100K J 1/16W	
R244			RK73HB1J474J	CHIP R 470K J 1/16W		R384			RK73HB1J000J	CHIP R 0.0 J 1/16W	
R245			RK73HB1J103J	CHIP R 10K J 1/16W		R386			RK73HB1J102J	CHIP R 1.0K J 1/16W	
R246			RK73HB1J474J	CHIP R 470K J 1/16W		R387			RK73HB1J223J	CHIP R 22K J 1/16W	

PARTS LIST

TX-RX UNIT (X57-8070-10)

Ref. No.	Address	New parts	Parts No.	Description	Destination	Ref. No.	Address	New parts	Parts No.	Description	Destination
R389			RK73HB1J000J	CHIP R 0.0 J 1/16W		R549			RK73HB1J222J	CHIP R 2.2K J 1/16W	
R390-392			RK73HB1J104J	CHIP R 100K J 1/16W		R550			RK73HB1J224J	CHIP R 220K J 1/16W	
R393			RK73HH1J103D	CHIP R 10K D 1/16W		R551			RK73HB1J152J	CHIP R 1.5K J 1/16W	
R394,395			RK73HB1J104J	CHIP R 100K J 1/16W		R552			RK73HB1J104J	CHIP R 100K J 1/16W	
R396			RK73HB1J183J	CHIP R 18K J 1/16W		R553			RK73HB1J102J	CHIP R 1.0K J 1/16W	
R397			RK73HB1J104J	CHIP R 100K J 1/16W		R554			RK73HB1J474J	CHIP R 470K J 1/16W	
R398			RK73HB1J105J	CHIP R 1.0M J 1/16W		R555			RK73HB1J104J	CHIP R 100K J 1/16W	
R399-401			RK73HB1J102J	CHIP R 1.0K J 1/16W		R556			RK73HB1J474J	CHIP R 470K J 1/16W	
R403-408			RK73HB1J104J	CHIP R 100K J 1/16W		R557			RK73HB1J473J	CHIP R 47K J 1/16W	
R409-411			RK73HB1J473J	CHIP R 47K J 1/16W		R558			RK73HB1J221J	CHIP R 220 J 1/16W	
R412,413			RK73HB1J104J	CHIP R 100K J 1/16W		R559			RK73HB1J220J	CHIP R 22 J 1/16W	
R414-419			RK73HB1J105J	CHIP R 1.0M J 1/16W		R560			RK73HB1J104J	CHIP R 100K J 1/16W	
R420-423			RK73HB1J104J	CHIP R 100K J 1/16W		R561			RK73HB1J220J	CHIP R 22 J 1/16W	
R424			RK73HB1J471J	CHIP R 470 J 1/16W		R562			RK73HB1J101J	CHIP R 100 J 1/16W	
R426,427			RK73HB1J474J	CHIP R 470K J 1/16W		R563			RK73HB1J104J	CHIP R 100K J 1/16W	
R428			RK73HB1J101J	CHIP R 100 J 1/16W		R564-566			RK73HB1J101J	CHIP R 100 J 1/16W	
R429			RK73HB1J474J	CHIP R 470K J 1/16W		R567			RK73HB1J682J	CHIP R 6.8K J 1/16W	
R431,432			RK73HB1J104J	CHIP R 100K J 1/16W		R568			RK73HB1J103J	CHIP R 10K J 1/16W	
R433-435			RK73HB1J101J	CHIP R 100 J 1/16W		R569			RK73HB1J101J	CHIP R 100 J 1/16W	
R437,438			RK73HB1J104J	CHIP R 100K J 1/16W		R570			RK73HB1J271J	CHIP R 270 J 1/16W	
R440			RK73HB1J103J	CHIP R 10K J 1/16W		R571			RK73HB1J000J	CHIP R 0.0 J 1/16W	
R442			RK73HB1J104J	CHIP R 100K J 1/16W		R572			RK73HB1J222J	CHIP R 2.2K J 1/16W	
R443			RK73HB1J000J	CHIP R 0.0 J 1/16W		R573			RK73HB1J332J	CHIP R 3.3K J 1/16W	
R445			RK73HB1J000J	CHIP R 0.0 J 1/16W		R574			RK73HB1J106J	CHIP R 10M J 1/16W	
R446			RK73HB1J473J	CHIP R 47K J 1/16W		R575			RK73HB1J102J	CHIP R 1.0K J 1/16W	
R447			RK73GB2A000J	CHIP R 0.0 J 1/10W		R576			RK73HB1J221J	CHIP R 220 J 1/16W	
R501,502			RN73HH1J103D	CHIP R 10K D 1/16W		R577			RK73HB1J100J	CHIP R 10 J 1/16W	
R503,504			RK73HB1J101J	CHIP R 100 J 1/16W		R579-581			RK73HB1J000J	CHIP R 0.0 J 1/16W	
R508,509			RK73HB1J100J	CHIP R 10 J 1/16W		R584			RK73HB1J331J	CHIP R 330 J 1/16W	
R510			RK73HB1J000J	CHIP R 0.0 J 1/16W		R601			RK73HB1J332J	CHIP R 3.3K J 1/16W	
R512			RK73HB1J000J	CHIP R 0.0 J 1/16W		R602			RK73HB1J390J	CHIP R 39 J 1/16W	
R513			RK73HB1J472J	CHIP R 4.7K J 1/16W		R607			RK73HB1J332J	CHIP R 3.3K J 1/16W	
R514			RK73HB1J102J	CHIP R 1.0K J 1/16W		R608			RK73HB1J331J	CHIP R 330 J 1/16W	
R515			RK73HB1J472J	CHIP R 4.7K J 1/16W		R612			RK73HB1J332J	CHIP R 3.3K J 1/16W	
R516-519			RK73HB1J100J	CHIP R 10 J 1/16W		R616			RK73HB1J471J	CHIP R 470 J 1/16W	
R520			RK73HH1J473D	CHIP R 47K D 1/16W		R621			RK73HB1J120J	CHIP R 12 J 1/16W	
R521			RK73HH1J474D	CHIP R 470K D 1/16W		R627			RK73HB1J471J	CHIP R 470 J 1/16W	
R522			RK73HH1J273D	CHIP R 27K D 1/16W		R629			RK73HB1J103J	CHIP R 10K J 1/16W	
R523			RK73HB1J106J	CHIP R 10M J 1/16W		R634			RK73HB1J103J	CHIP R 10K J 1/16W	
R524			RK73HB1J100J	CHIP R 10 J 1/16W		R635			RK73HB1J102J	CHIP R 1.0K J 1/16W	
R525			RK73HB1J473J	CHIP R 47K J 1/16W		R636			RK73HB1J273J	CHIP R 27K J 1/16W	
R526			RK73HB1J102J	CHIP R 1.0K J 1/16W		R638			RK73HB1J331J	CHIP R 330 J 1/16W	
R527			RK73HB1J100J	CHIP R 10 J 1/16W		R639,640			RK73HB1J561J	CHIP R 560 J 1/16W	
R528			RK73HB1J104J	CHIP R 100K J 1/16W		R642			RK73HB1J472J	CHIP R 4.7K J 1/16W	
R529			RK73HB1J000J	CHIP R 0.0 J 1/16W		R643			RK73HB1J103J	CHIP R 10K J 1/16W	
R530			RK73HB1J104J	CHIP R 100K J 1/16W		R644			RK73HB1J102J	CHIP R 1.0K J 1/16W	
R531,532			RK73HB1J000J	CHIP R 0.0 J 1/16W		R645			RK73HB1J682J	CHIP R 6.8K J 1/16W	
R533			RK73HB1J103J	CHIP R 10K J 1/16W		R646			RK73HB1J102J	CHIP R 1.0K J 1/16W	
R534,535			RK73HB1J473J	CHIP R 47K J 1/16W		R648			RK73HB1J103J	CHIP R 10K J 1/16W	
R536			RK73HB1J000J	CHIP R 0.0 J 1/16W		R650,651			RK73EB2HR22F	CHIP R 0.22 F 1/2W	
R537			RK73HB1J473J	CHIP R 47K J 1/16W		R652-657			RK73HH1J154D	CHIP R 150K D 1/16W	
R538			RK73HB1J683J	CHIP R 68K J 1/16W		R658			RK73HB1J472J	CHIP R 4.7K J 1/16W	
R539			RK73HB1J000J	CHIP R 0.0 J 1/16W		R659,660			RK73HB1J271J	CHIP R 270 J 1/16W	
R540			RK73HB1J121J	CHIP R 120 J 1/16W		R661			RK73HB1J104J	CHIP R 100K J 1/16W	
R541			RK73HH1J391D	CHIP R 390 D 1/16W		R662			RK73HB1J473J	CHIP R 47K J 1/16W	
R542			RK73HB1J103J	CHIP R 10K J 1/16W		R663			RK73FB2B000J	CHIP R 0.0 J 1/8W	
R543,544			RK73HB1J000J	CHIP R 0.0 J 1/16W		R664			RK73GB2A000J	CHIP R 0.0 J 1/10W	
R545,546			RK73HB1J102J	CHIP R 1.0K J 1/16W		R665			RK73HB1J473J	CHIP R 47K J 1/16W	
R547			RK73HB1J183J	CHIP R 18K J 1/16W		R666			RK73HB1J000J	CHIP R 0.0 J 1/16W	
R548			RK73HB1J124J	CHIP R 120K J 1/16W		R667			RK73HB1J474J	CHIP R 470K J 1/16W	

PARTS LIST

TX-RX UNIT (X57-8070-10)

Ref. No.	Address	New parts	Parts No.	Description	Desti-nation	Ref. No.	Address	New parts	Parts No.	Description	Desti-nation
R669			RK73HB1J184J	CHIP R 180K J 1/16W		S201			S70-0483-05	TACT SWITCH	
R670			RK73HB1J104J	CHIP R 100K J 1/16W		D1-3			KDR731	DIODE	
R672			RK73EB2E823J	CHIP R 82K J 1/4W		D4			DA221	DIODE	
R675			RK73HB1J182J	CHIP R 1.8K J 1/16W		D5,6			HSC119	DIODE	
R676			RK73HB1J392J	CHIP R 3.9K J 1/16W		D7			KDR731	DIODE	
						D8			HSC119	DIODE	
R677			RK73HB1J330J	CHIP R 33 J 1/16W		D9-15			1SS416	DIODE	
R678			RK73HB1J220J	CHIP R 22 J 1/16W		D16,17			EMZ6.8N	ZENER DIODE	
R680			RK73HB1J331J	CHIP R 330 J 1/16W		D18,19			DA221	DIODE	
R801			RK73HB1J470J	CHIP R 47 J 1/16W		D20,21			NNCD6.8G-A	ZENER DIODE	
R802			RK73HB1J100J	CHIP R 10 J 1/16W		D22,23			HZC6.8-E	ZENER DIODE	
R803			RK73HB1J123J	CHIP R 12K J 1/16W		D201,202			1SS388F	DIODE	
R804			RK73HB1J000J	CHIP R 0.0 J 1/16W		D204			1SR154-400	DIODE	
R805			RK73HB1J100J	CHIP R 10 J 1/16W		D205			1SS301F	DIODE	
R806			RK73HB1J182J	CHIP R 1.8K J 1/16W		D206			1SS388F	DIODE	
R807			RK73HB1J103J	CHIP R 10K J 1/16W		D207			HRB0502A	DIODE	
R808			RK73HB1J472J	CHIP R 4.7K J 1/16W		D208,209			HSC119	DIODE	
R809			RK73HB1J103J	CHIP R 10K J 1/16W		D210			1SS416	DIODE	
R810			RK73HB1J561J	CHIP R 560 J 1/16W		D211			1SS388F	DIODE	
R811			RK73HB1J000J	CHIP R 0.0 J 1/16W		D212,213			1SS301F	DIODE	
R812			RK73HB1J334J	CHIP R 330K J 1/16W		D214			1SS388F	DIODE	
R813			RK73HB1J103J	CHIP R 10K J 1/16W		D301,302			HSC119	DIODE	
R814			RK73HB1J473J	CHIP R 47K J 1/16W		D501			HSC119	DIODE	
R815			RK73HB1J183J	CHIP R 18K J 1/16W		D502			DA221	DIODE	
R816			RK73HB1J102J	CHIP R 1.0K J 1/16W		D504			HSC119	DIODE	
R818			RK73HB1J102J	CHIP R 1.0K J 1/16W		D505			HVC376B	VARIABLE CAPACITANCE DIODE	
R820			RK73HB1J274J	CHIP R 270K J 1/16W		D506,507			1SV323F	VARIABLE CAPACITANCE DIODE	
R822			RK73HB1J104J	CHIP R 100K J 1/16W		D508,509			1SV325F	VARIABLE CAPACITANCE DIODE	
R823			RK73HB1J103J	CHIP R 10K J 1/16W		D510			HVC376B	VARIABLE CAPACITANCE DIODE	
R824			RK73HB1J472J	CHIP R 4.7K J 1/16W		D511,512			1SV278F	VARIABLE CAPACITANCE DIODE	
R825			RK73HB1J223J	CHIP R 22K J 1/16W		D513			RN142S	DIODE	
R826			RK73HB1J103J	CHIP R 10K J 1/16W		D601			RN142S	DIODE	
R827			RK73HB1J183J	CHIP R 18K J 1/16W		D604			UDZW5.1(B)	ZENER DIODE	
R828			RK73HB1J473J	CHIP R 47K J 1/16W		D605-608			HVC131	DIODE	
R829			RK73HB1J123J	CHIP R 12K J 1/16W		D801			HSB88AS-E	DIODE	
R830			RK73HB1J103J	CHIP R 10K J 1/16W		IC1			TC75W51FK(F)	MOS-IC	
R832			RK73HB1J000J	CHIP R 0.0 J 1/16W		IC2			TC75S51FE(F)	MOS-IC	
R834			RK73HB1J221J	CHIP R 220 J 1/16W		IC3			R2A20178NP	MICROCONTROLLER IC	
R835			RK73GB2A000J	CHIP R 0.0 J 1/10W		IC4			TC75S51FE(F)	MOS-IC	
R836			RK73HB1J221J	CHIP R 220 J 1/16W		IC5			TC75W51FK(F)	MOS-IC	
R838			RK73HB1J564J	CHIP R 560K J 1/16W		IC6,7			TC7W53FK(F)	MOS-IC	
R839			RK73HB1J102J	CHIP R 1.0K J 1/16W		IC8			TC7S66FUF	MOS-IC	
R840			RK73HB1J103J	CHIP R 10K J 1/16W		IC9			TC7W53FK(F)	MOS-IC	
R841,842			RK73HB1J104J	CHIP R 100K J 1/16W		IC10,11			TC75W51FK(F)	MOS-IC	
R843			RK73HB1J272J	CHIP R 2.7K J 1/16W		IC12,13			TC75S51FE(F)	MOS-IC	
R845			RK73HB1J151J	CHIP R 150 J 1/16W		IC14			TC75W51FK(F)	MOS-IC	
R847			RK73HB1J271J	CHIP R 270 J 1/16W		IC15			TC7W66FK-F	MOS-IC	
R848			RK73HB1J180J	CHIP R 18 J 1/16W		IC16			TC75W51FK(F)	MOS-IC	
R849			RK73HB1J271J	CHIP R 270 J 1/16W		IC17			TPA6201A1DRBR	ANALOGUE IC	
R851			RK73HB1J474J	CHIP R 470K J 1/16W		IC18			NJM2880U105ZB	ANALOGUE IC	
R856			RK73HB1J474J	CHIP R 470K J 1/16W		IC19			TPA6201A1DRBR	ANALOGUE IC	
R858			RK73HB1J560J	CHIP R 56 J 1/16W		IC20			TC7SET08FU-F	MOS-IC	
R859,860			RK73HB1J000J	CHIP R 0.0 J 1/16W		IC21			TC7WH126FK	MOS-IC	
R866			RK73HB1J333J	CHIP R 33K J 1/16W		IC22			TC7WT125FUF	MOS-IC	
R867			RK73HB1J683J	CHIP R 68K J 1/16W		IC201	*		XC6204B332D-G	MOS-IC	
R868			RK73HB1J104J	CHIP R 100K J 1/16W		IC202	*		XC9235A15CM-G	MOS-IC	
R869			RK73HB1J683J	CHIP R 68K J 1/16W		IC203	*		XC6204B332D-G	MOS-IC	
R870			RK73HB1J474J	CHIP R 470K J 1/16W		IC204	*		XC6209B502P-G	MOS-IC	
R873			RK73HB1J474J	CHIP R 470K J 1/16W		IC205			TK11250CUCB	MOS-IC	
R874			RK73HB1J270J	CHIP R 27 J 1/16W							
R876			RK73HB1J680J	CHIP R 68 J 1/16W							

PARTS LIST

TX-RX UNIT (X57-8070-10)

Ref. No.	Address	New parts	Parts No.	Description	Destination	Ref. No.	Address	New parts	Parts No.	Description	Destination
IC206			LT1616ES6-PBF	ANALOGUE IC		Q507			MCH3914(8)-H	FET	
IC207			TK71733S	BI-POLAR IC		Q508-510			2SC5636	TRANSISTOR	
IC208			TC75S51FE(F)	MOS-IC		Q601			2SK3077F	FET	
IC209		*	XC61CC5602N-G	MOS-IC		Q602			RD01MUS1-T113	FET	
IC210			S-812C31BPI-G	ANALOGUE IC		Q603			2SC5383-T111	TRANSISTOR	
IC301			TC74LCX245FK	MOS-IC		Q604		*	RD07MUS2BT122	FET	
IC302			TC7WZ245FK-F	MOS-IC		Q605			SSM3K15TE(F)	FET	
IC303			Note 1	ROM IC		Q606			RT1N441U-T111	TRANSISTOR	
IC304			Note 1	MICROPROCESSOR IC		Q607			2SC5383-T111	TRANSISTOR	
IC305			Note 1	SRAM IC		Q608			2SK1824-A	FET	
IC306		*	XC6109C29AN-G	MOS-IC		Q609			EMD5	TRANSISTOR	
IC307			TC7SH08FU-F	MOS-IC		Q610			2SC5636	TRANSISTOR	
IC308			RV5C386A	MOS-IC		Q801			2SC5636	TRANSISTOR	
IC309			Note 1	MOS-IC		Q802			2SC5108(Y)F	TRANSISTOR	
IC310			SM5023CNDH-G	MOS-IC		Q804			BB505CES-TL-E	FET	
IC311			PCA9535BS	MOS-IC		TH1			ERTJ0EV104H	THERMISTOR	
IC312			TC7SH08FU-F	MOS-IC		TH601			ERTJ0EV104H	THERMISTOR	
IC502			LM73CIMKX-0	MOS-IC							
IC503			SKY72310-362	MOS-IC							
IC504		*	XC221A1200MRG	MOS-IC							
IC505			TC75W51FK(F)	MOS-IC							
IC601			NJM12904RB1	MOS-IC							
IC801			MCP6021-E/OT	MOS-IC							
IC802			TK10931VTL-G	ANALOGUE IC							
IC803			TC75W51FK(F)	MOS-IC							
IC804			CMY210	MOS-IC							
Q1			SSM3K15TE(F)	FET							
Q3			2SC4738(GR)F	TRANSISTOR							
Q4			2SA1832(GR)F	TRANSISTOR							
Q5			SSM3K15TE(F)	FET							
Q6			2SJ243-A	FET							
Q7			SSM6N16FE-F	FET							
Q8			SSM3K15TE(F)	FET							
Q9			2SJ347F	FET							
Q10			UMG3N	TRANSISTOR							
Q11			2SB1132(Q,R)	TRANSISTOR							
Q12			2SC5383-T111	TRANSISTOR							
Q13			SSM6N16FE-F	FET							
Q201			2SJ648-A	FET							
Q202			SSM3K15TE(F)	FET							
Q203,204			SSM6N16FE-F	FET							
Q205			SSM6L05FU-F	FET							
Q206			EMD12	TRANSISTOR							
Q207,208			2SA1955A-F	TRANSISTOR							
Q209,210			SSM3K15TE(F)	FET							
Q211			2SA1955A-F	TRANSISTOR							
Q212,213			EMD12	TRANSISTOR							
Q214			UMG9N	TRANSISTOR							
Q301			2SA1362-F(GR)	TRANSISTOR							
Q302			2SC5383-T111	TRANSISTOR							
Q303			2SA1832(GR)F	TRANSISTOR							
Q304			SSM3K15TE(F)	FET							
Q305			2SC5383-T111	TRANSISTOR							
Q306			SSM3K15TE(F)	FET							
Q501			2SC5383-T111	TRANSISTOR							
Q502			2SK879-F(Y)	FET							
Q503			2SC5383-T111	TRANSISTOR							
Q504			MCH3914(8)-H	FET							
Q505			SSM6L05FU-F	FET							
Q506			2SJ347F	FET							