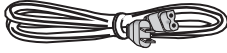


● Accessories

Power cord
 (KUCXJ : ADG7021)
 (RLTXJ : ADG1154)
 (WYXJ : ADG1154)
 (RFXJ : ADG7097)



Audio cable
 (VDE1064 or XDE3045)
 L= 1.5m



Control cable
 (ADE7108 or XDE3063)
 L= 1 m


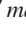


Forced eject pin
 (housed in a groove
 in the bottom panel)
 (DEX1008)

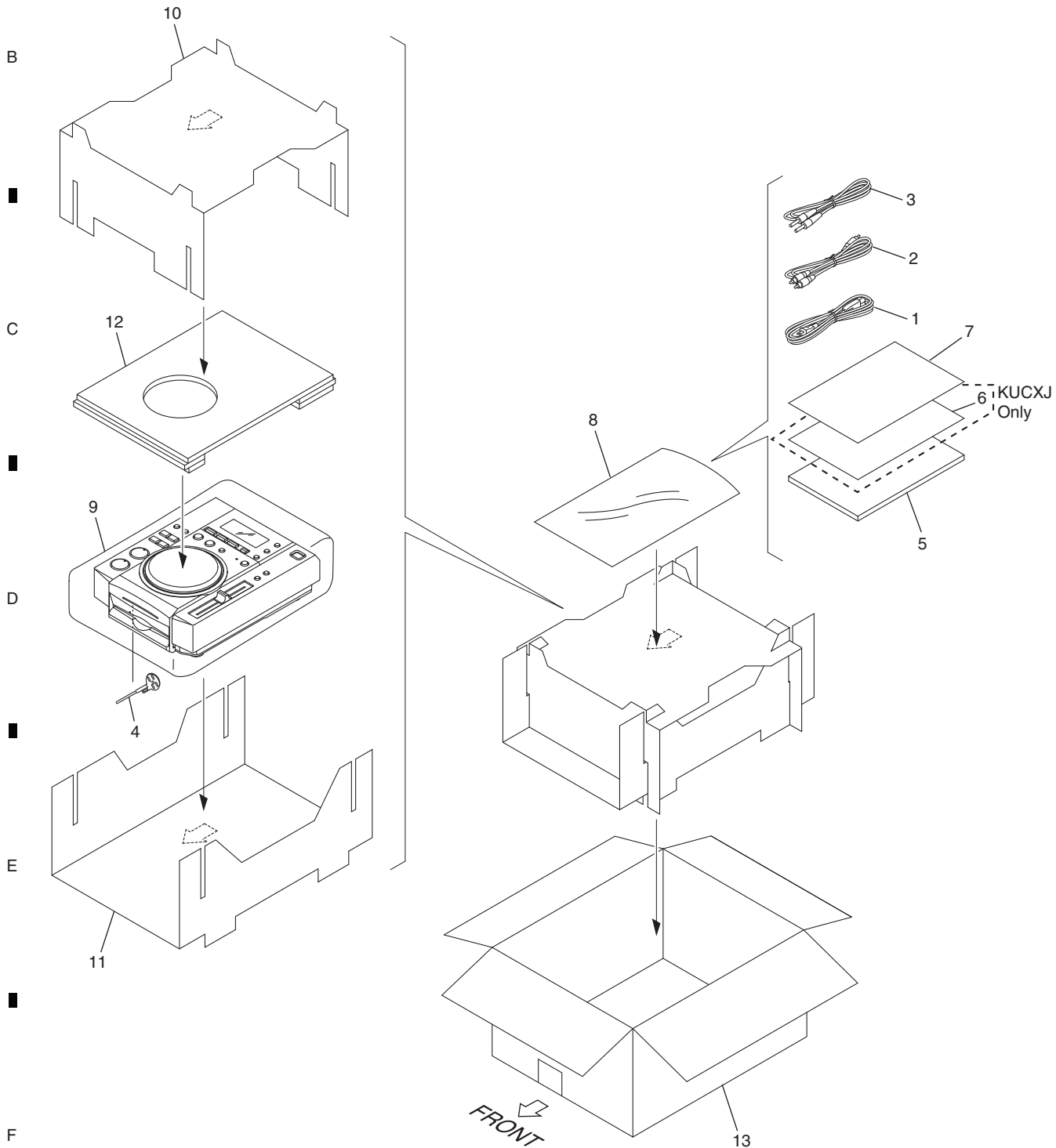


A
 B
 C
 D
 E
 F

2. EXPLODED VIEWS AND PARTS LIST

- NOTES:
- Parts marked by "NSP" are generally unavailable because they are not in our Master Spare Parts List.
 - The  mark found on some component parts indicates the importance of the safety factor of the part. Therefore, when replacing, be sure to use parts of identical designation.
 - Screws adjacent to  mark on product are used for disassembly.
 - For the applying amount of lubricants or glue, follow the instructions in this manual. (In the case of no amount instructions, apply as you think it appropriate.)

2.1 PACKING SECTION



(1) PACKING SECTION PARTS LIST

<u>Mark No.</u>	<u>Description</u>	<u>Part No.</u>
⚠	1 Power Cord	See Contrast table (2)
	2 Audio Cable	VDE1064 or XDE3045
	3 Control Cable	ADE7108 or XDE3063
	4 Forced Eject Pin	DEX1008
	5 Operating Instructions	See Contrast table (2)
NSP 6	Limited Warranty	See Contrast table (2)
NSP 7	User Seat	DRM1262
NSP 8	Polyethylene Bag (0.06 x 230 x 340)	AHG7117
	9 Packing Sheet	AHG7015
10	Pad A	DHA1638
11	Pad B	DHA1639
12	Pad C	DHA1640
13	Packing Case	See Contrast table (2)

(2) CONTRAST TABLE

CDJ-200/KUCXJ, RLTXJ, WYXJ and RFXJ are constructed the same except for the following:

Mark	No.	Symbol and Description	CDJ-200/ KUCXJ	CDJ-200/ RLTXJ	CDJ-200/ WYXJ	CDJ-200/ RFXJ
⚠ NSP	1	Power Cord	ADG7021	ADG1154	ADG1154	ADG7097
	5	Operating Instructions	DRB1377	DRB1378	DRB1376	DRB1378
	6	Limited Warranty	ARY7043	Not used	Not used	Not used
	13	Packing Case	DHG2495	DHG2496	DHG2494	DHG2500

(1) EXTERIOR SECTION PARTS LIST

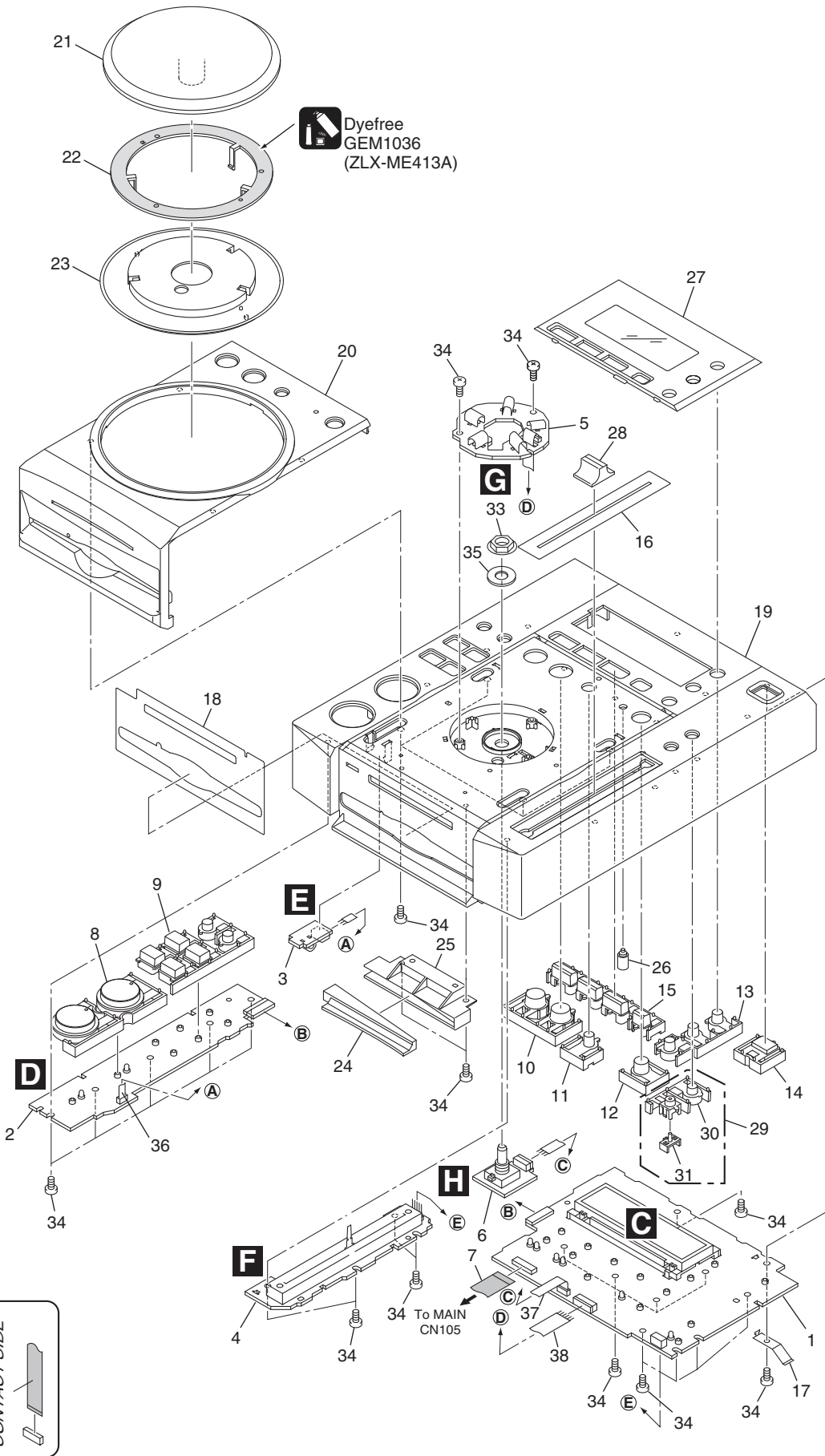
<u>Mark No.</u>	<u>Description</u>	<u>Part No.</u>	<u>Mark No.</u>	<u>Description</u>	<u>Part No.</u>
1	MAIN Assy	DWG1587	23	Heatsink	DNH2641
2	RLYB Assy	DWX2429	24	Trans. Plate	DNH2670
3	JACK Assy	DWX2433	25	Card Spacer	DNK2769
4	ACIN Assy	See Contrast table (2)			
5	TRNS Assy	See Contrast table (2)	NSP 26	Chassis	See Contrast table (2)
			27	Damper	CNV6011
6	SLMB Assy	DWS1355	28	Earth Spring	DBH1398
7	SECB Assy	DWR1394	29	Float Spring G5	DBH1494
8	REGB Assy	DWR1393	30	FPC Guard	DBK1282
⚠ 9	Fuse (FU11)	See Contrast table (2)	31	Mecha Plate	DNH2642
⚠ 10	Power Transformer (T22)	See Contrast table (2)	32	Nyron Rivet (3 x 4.5)	RBM-003
			33	Cord Clamper	RNH-184
11	24P Flexible Cable	DDD1275	34	Caution Label HE	See Contrast table (2)
12	32P Flexible Cable	DDD1276	35	Caution Label	See Contrast table (2)
13	24P Flexible Cable	DDD1278			
14	9P Flexible Cable	DDD1279	36	Caution Label	See Contrast table (2)
15	Earth Lead Unit/300V	DDF1032	37	Nut M12	DBN1012
			38	DM Screw	DBA1260
16	Connector Assy	PF03PP-B17	39	Screw	BBZ40P060FTC
17	Power Button	DAC2254	40	Screw	BBZ30P060FTC
NSP 18	Silicone Sheet D5 L	DEB1456			
19	Insulator	DEC2250	41	Screw	BPZ30P080FTC
20	Protector	DEC2808	42	Jumper Wire 6P(J904)	D20PDY0610E
			43	15P Flexible Cable	DDD1277
21	PU Caution	DEC2856			
22	PCB Stay	DNH2640			

(2) CONTRAST TABLE

CDJ-200/KUCXJ, RLTXJ, WYXJ and RFXJ are constructed the same except for the following:

<u>Mark</u>	<u>No.</u>	<u>Symbol and Description</u>	<u>CDJ-200/ KUCXJ</u>	<u>CDJ-200/ RLTXJ</u>	<u>CDJ-200/ WYXJ</u>	<u>CDJ-200/ RFXJ</u>
	4	ACIN Assy	DWR1388	DWR1389	DWR1387	DWR1389
	5	TRNS Assy	DWR1391	DWR1392	DWR1391	DWR1392
⚠	9	Fuse (FU11 : 2.0A/125V)	REK1111	Not used	Not used	Not used
⚠	9	Fuse (FU11 : T1AL250V)	Not used	REK1022	REK1022	REK1022
⚠	10	Power Transformer (T22)	DTT1172	DTT1171	DTT1171	DTT1171
NSP	26	Chassis	DNK4423	DNK4424	DNK4386	DNK4427
	34	Caution Label HE	Not used	Not used	PRW1233	Not used
	35	Caution Label	Not used	Not used	VRW1094	Not used
	36	Caution Label	Not used	PRW1018	Not used	DRW2248

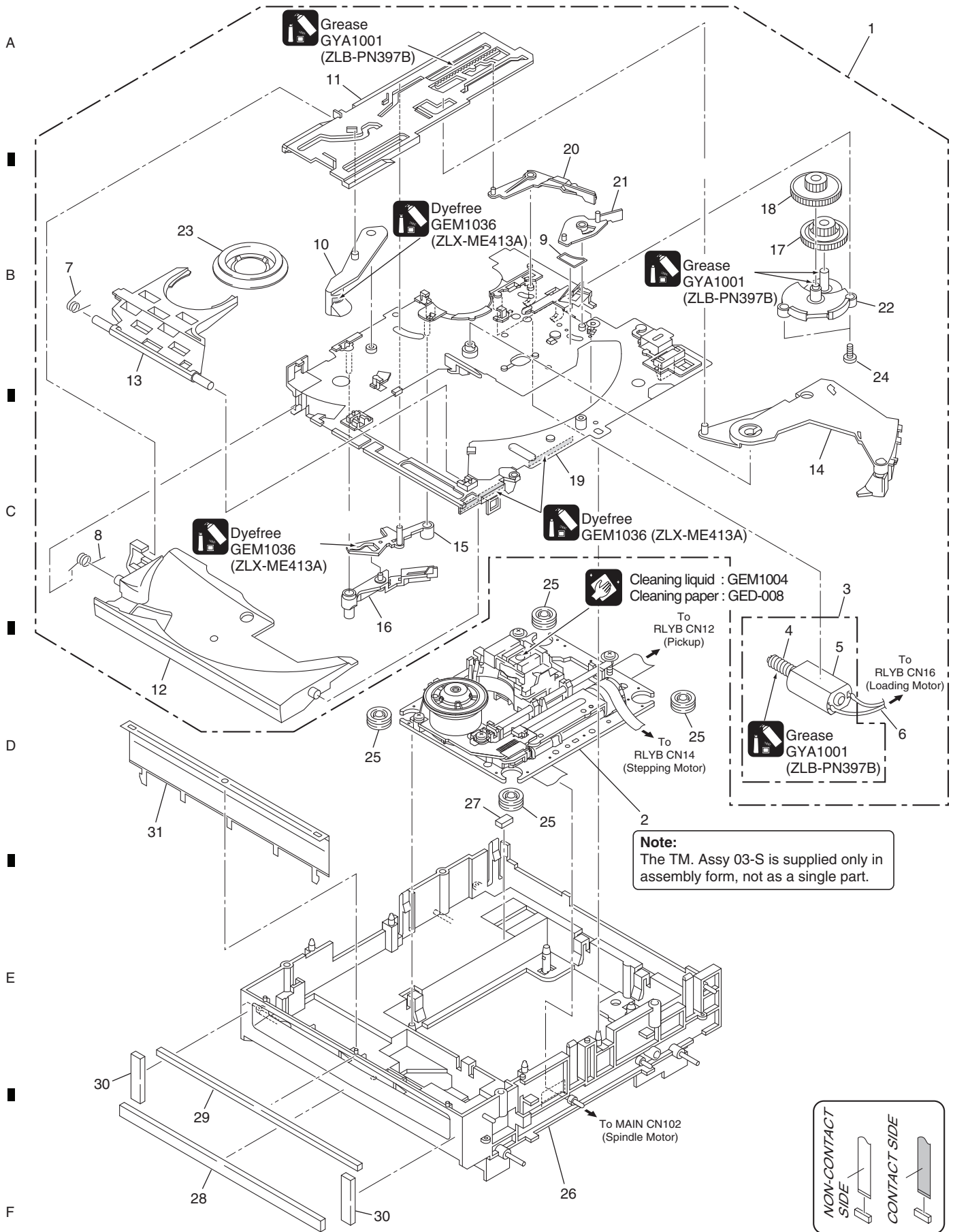
2.3 CONTROL PANEL SECTION



CONTROL PANEL SECTION PARTS LIST

<u>Mark No.</u>	<u>Description</u>	<u>Part No.</u>	
1	DISP Assy	DWG1588	
2	KSWB Assy	DWS1356	A
3	INDB Assy	DWX2438	
4	SLDB Assy	DWX2430	
5	JLED Assy	DWX2432	
6	JOGB Assy	DWX2431	
7	15P Flexible Cable	DDD1277	
8	PLAY Button	DAC2244	
9	SEARCH Button	DAC2245	
10	LOOP Button	DAC2246	
11	RELOOP Button	DAC2270	B
12	BEAT LOOP Button	DAC2271	
13	TIME Button	DAC2249	
14	EJECT Button	DAC2253	
15	JET Button	DAC2266	
16	Slide Sheet (GRAY)	DAH2374	
17	Earth Plate	DBK1224	
18	Vessel Sheet	DEC2751	
19	Control Panel A	DNK4384	
20	Control Panel B	DNK4385	C
21	Jog Dial	DNK4387	
22	POM Ring	DNK4388	
23	Jog Lens	DNK4389	
24	Front Lens	DNK4390	
25	Reflector	DNK4391	
26	BEAT Lens	DNK4392	
27	Display Panel	DNK4492	
28	Slide Knob (SILVER)	DNK4448	
29	TEMPO Button Assy	DXA2014	
30	TEMPO Button	DAC2258	D
31	TEMPO Lens	DNK4421	
32	•••••		
33	Nut M9	DBN1008	
34	Screw	BPZ30P080FTC	
35	JOG Washer	DBF1002	
36	Jumper Wire 3P	D20PDY0305E	
37	Jumper Wire 4P	D20PDY0405E	
38	Jumper Wire 6P	D20PDY0610E	E

2.4 SLOT-IN MECHANISM SECTION



5 6 7 8

SLOT-IN MECHANISM SECTION PARTS LIST

<u>Mark No.</u>	<u>Description</u>	<u>Part No.</u>	
NSP 1	Slot-in Mecha SV Assy	DXA2005	
2	TM. Assy 03-S	VXX2909	A
3	DC Motor Assy-S	DXX2510	
NSP 4	Worm Gear	DNK3910	
NSP 5	DC Motor S (ROHS)	DXM1230	
6	Connector Assy	PF02PY-B22	
7	Clamp Spring	DBH1374	
8	Guide Spring	DBH1375	
9	SW Lever Spacer SV	DEC2831	
10	Loading Lever	DNK3406	
11	Main Cam	DNK3407	B
12	Disc Guide	DNK3478	
13	Clamp Arm	DNK3576	
14	Eject Lever	DNK3684	
15	Lever AP	DNK3835	
16	Lever BP	DNK3836	
17	Loading Gear	DNK3911	
18	Drive Gear	DNK3912	
19	Loading Base SV	DNK4369	
20	SW Lever SV1	DNK4370	C
21	SW Lever SV2	DNK4371	
22	Gear Holder SV	DNK4372	
23	Clamper 04 Assy	DXB1859	
24	Screw	BPZ20P060FTC	
25	Floating Rubber (SI)	VEB1351	
26	Float Base 04 Assy	DXB1838	
27	Spacer POR (T3)	DEB1566	
28	Vessel Cushion A	DEC2852	
29	Vessel Cushion B	DEC2853	
30	Vessel Cushion C	DEC2854	D
31	Front Sheet	DED1132	

Mark No. Description**Part No.****Mark No. Description****Part No.****B RLYB ASSY
SWITCHES AND RELAYS**

S11

DSH1061

CAPACITORSC15-C17
C12,C14CKSRYB103K50
CKSRYB104K25**RESISTORS**

All Resistors

RS1/16S###J

OTHERSCN16 KR CONNECTOR
CN15 KR CONNECTOR 3P
CN14 4P FFC CONNECTOR
CN11 32P FFC CONNECTORB2B-PH-K-S
B3B-PH-K-S
RKN1045
VKN1463**C DISP ASSY
SEMICONDUCTORS**IC501
IC506
IC502-IC504
Q501
Q502-Q509,Q514,Q516PEG083A
PST994D
TC7SET08FUS1
2SB1237X
2SC4081Q601,Q602
Q510-Q513,Q515
D512
D505-D508,D511
D5012SC4081
DTC124EUA
SLI-343URCW(RST)
SLI-343YCW(RST)
UDZS6R2(B)**SWITCHES AND RELAYS**S507,S508,S513,S514
S501-S506,S509-S512DSG1079
VSG1024**CAPACITORS**C512,C522,C523
C520
C501,C503,C506
C502,C504,C507
C532,C534,C538,C539,C541CCSRCH101J50
CEAL100M16
CEHAS1R0M50
CEHAS470M16
CKSRYB102K50C511,C513,C516,C521
C505,C524
C517-C519CKSRYB103K50
CKSRYB104K16
CKSRYB105K6R3**RESISTORS**

All Resistors

RS1/16S###J

OTHERSX501 CERAMIC RESONATOR
(4MHz)
0 4P CABLE HOLDER
CN505 6P JUMPER CONNECTOR
J504 JUMPER WIRE 4PDSS1131
51048-0400
52151-0610
D20PDY0405EV501 FL TUBE
0 FL HOLDER
CN502 9P SOCKET
CN501 15P FFC CONNECTORDEL1054
DNK4422
KP200IB9L
VKN1275**D KSWB ASSY
SEMICONDUCTORS**Q604
Q603
D601
D6022SC4081
DTC124EUA
SLI-343YCW(RST)
TLGE68TG(NP)**SWITCHES AND RELAYS**S601,S602
S603-S608DSG1079
VSG1024**CAPACITORS**

C603

CKSRYB102K50

RESISTORS

All Resistors

RS1/16S###J

OTHERS0 3P CABLE HOLDER
CN602 9P PLUG
J606 JUMPER WIRE 3P51048-0300
AKM7033
D20PDY0305E**E INDB ASSY
SEMICONDUCTORS**

D651

E1L4E-9B1A(CD)

CAPACITORS

C651

CKSRYB103K50

RESISTORS

All Resistors

RS1/16S###J

OTHERSCN606 3P JUMPER CONNECTOR
0 LED HOLDER52151-0310
XAK3187**F SLDB ASSY
SEMICONDUCTORS**

D603-D606

1SS355

CAPACITORS

C605,C606

CKSRYB102K50

RESISTORSR616,R617
VR601 SLIDE VOLUMERS1/16S2201F
DCV1009**OTHERS**

CN603 PLUG

DKN1381

5	6
Mark No. Description	Part No.
G JLED ASSY SEMICONDUCTORS D607-D609,D614,D616	E1L4E-9B1A(CD)
CAPACITORS C610-C614	CKSRYB103K50
RESISTORS All Resistors	RS1/16S###J
OTHERS 0 6P CABLE HOLDER J605 JUMPER WIRE 6P 0 LED HOLDER	51048-0600 D20PDY0610E XAK3187
H JOGB ASSY SWITCHES AND RELAYS S600	DSX1051
CAPACITORS C601,C602	CKSRYB103K50
RESISTORS All Resistors	RS1/16S###J
OTHERS CN604 4P JUMPER CONNECTOR	52151-0410
I JACK ASSY SEMICONDUCTORS IC702 IC701 Q701-Q704,Q707-Q710 D701,D702	NJM4556AD NJM4558MD 2SD2114K NNCD6.2MF
COILS AND FILTERS L704-L706 CHIP FERRITE BEAD L701-L703,L707,L708 CHIP FERRITE BEAD	DTL1128 DTL1130
CAPACITORS C701,C702,C711,C712 C700,C709,C710,C715-C719 C705,C706 C703,C704,C713,C714 (100/16)	CEHAR220M35 CKSRYB103K50 CQMA152J50 DCH1195
RESISTORS VR701 POTENTIOMETER Other Resistors	DCS1087 RS1/16S###J
OTHERS JA701 AUDIO 2P PIN JACK JA702 PHONES JACK CN701 9P FFC CONNECTOR	AKB7046 DKN1179 VKN1269

7	8
Mark No. Description	Part No.
J ACIN ASSY COILS AND FILTERS △ L1 LINE FILTER	VTL-004
SWITCHES AND RELAYS △ S1	DSA1029
CAPACITORS △ C1,C2 △ C3	ACE7027 ACG7039
OTHERS H1,H2 FUSE CLIP △ CN1 2P VH CONNECTOR △ AN1 1P AC INLET	AKR1004 B2P3-VH XKP3042
K TRNS ASSY SEMICONDUCTORS △ IC905 (750mA) △ IC901,IC902 (4A) △ IC903,IC904 (5A) △ D905-D908 △ D901-D904	AEK7007 AEK7018 AEK7019 1SR154-400 RB060L-40
CAPACITORS C901-C909	CKSRYB473K50
OTHERS △ J2 CONNECTOR ASSY CN902 9P PCB CONNECTOR	DKP3728 S9B-XH-A-1
L SLMB ASSY SWITCHES AND RELAYS S1901,S1902	DSG1017
OTHERS CN1901 KR CONNECTOR	S3B-PH-K-S
M SECB ASSY SEMICONDUCTORS △ IC914 (250mA) △ IC909 (400mA) △ IC907 (500mA) △ IC913 (750mA) △ IC910 (1A) △ IC908 (1.25A) △ IC906 (200mA) △ Q901 D910 D911-D913	AEK7002 AEK7004 AEK7005 AEK7007 AEK7009 AEK7010 AEK7023 2SB1375 NNCD6.2MF UDZS10(B)
COILS AND FILTERS L903,L904 CHIP FERRITE BEAD L901 CHIP FERRITE BEAD	DTL1128 DTL1129

Mark No. **Description**

Part No.

6. ADJUSTMENT

- There is no information to be shown in this chapter.

CAPACITORS

	C914	CEHAS1R0M50
	C920,C921	CEHAT101M16
A	C912	CEHAT221M2A
	C910	CEHAT332M25
	C919	CEHAT470M16
	C911	CEHAT682M25
	C913	CKSRYB103K50
	C922,C926	CKSRYB104K25

RESISTORS

	R910	RD1/2VM271J
	R909	RD1/2VM471J
B	Other Resistors	RS1/16S###J

OTHERS

	0 6P CABLE HOLDER	51048-0600
	J904 JUMPER WIRE 6P	D20PDY0610E
	CN903 9P SOCKET	KP250NA9
	JA901 1P JACK	PKB1033
	JA902 REMOTE CONTROL JACK	RKN1004
	CN905 24P FFC CONNECTOR	VKN1255

N REGB ASSY

SEMICONDUCTORS

	△IC911	BA05T
	△IC912	PQ15RW11

CAPACITORS

	C916,C918	CEHAT470M16
	C915,C917	CKSRYB103K50

RESISTORS

	R908	RS1/16S2201D
	R907	RS1/16S3901D

OTHERS

	CN904 6P JUMPER CONNECTOR	52151-0610
	0 REGULATOR PLATE	DNH2654