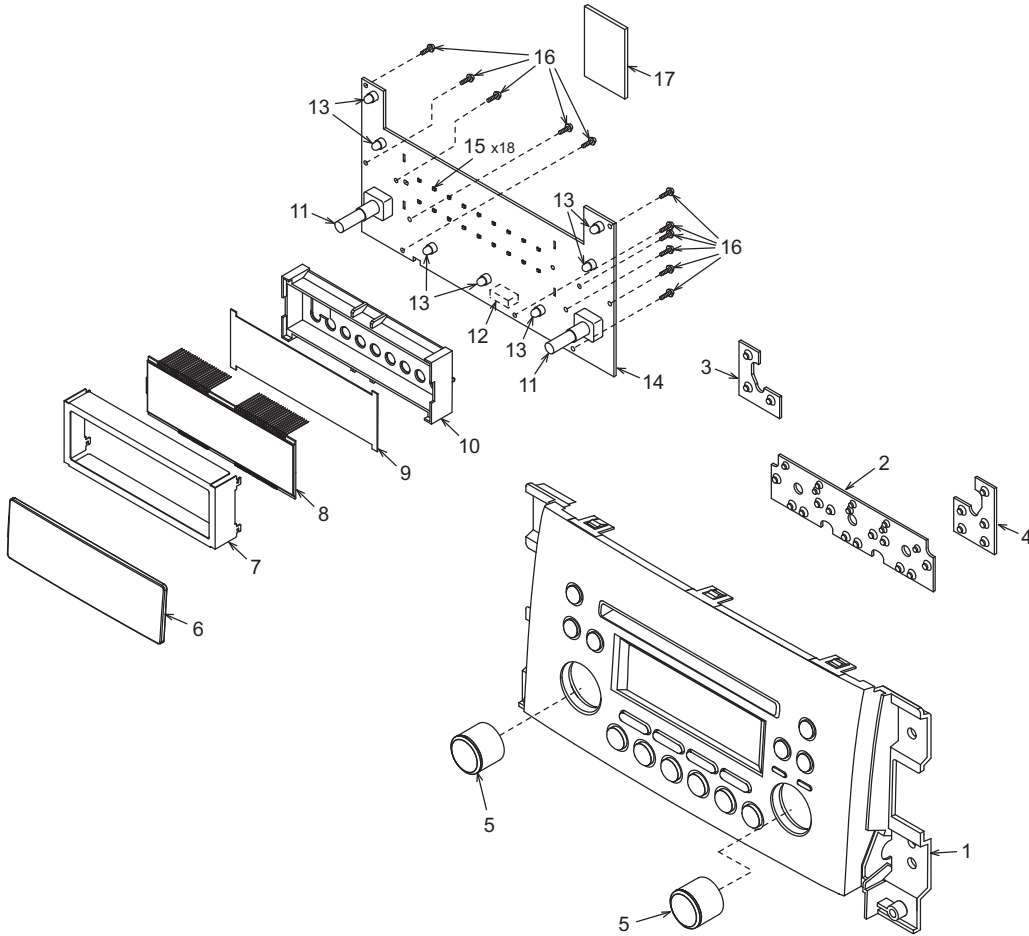


EXPLODED VIEW / PARTS LIST

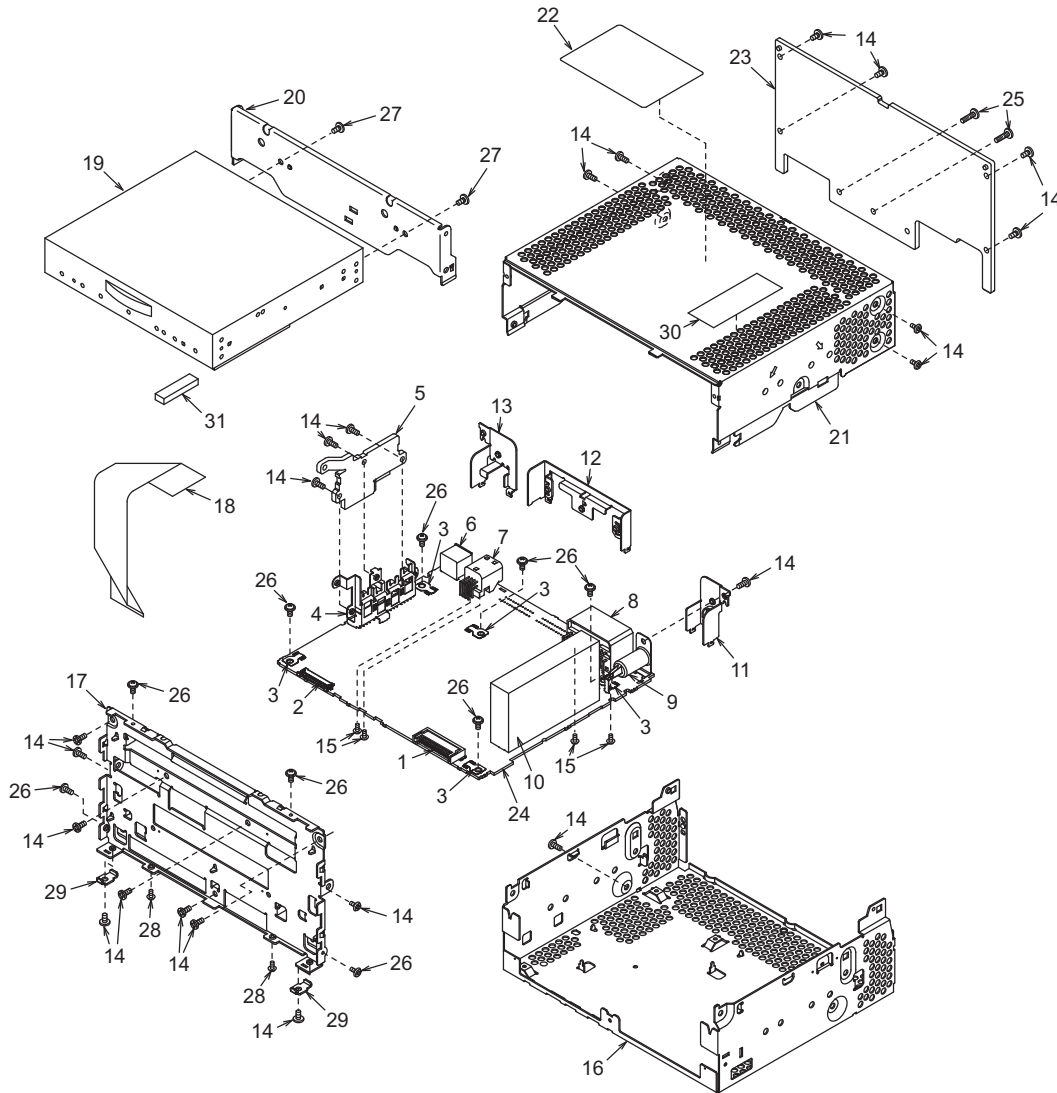
Escutcheon section



Note) Some parts depend on each model. The model name is specified in the description.

NO.	PART NO.	DESCRIPTION	Q'TY	NO.	PART NO.	DESCRIPTION	Q'TY
1	940-8229-32 940-8229-33	ES-ASSY(PS3009DA) ES-ASSY(PS3009DB)	1	9	335-8274-00	COLOR FILTER	1
2	345-5782-11	RUBBER SW(A)	1	10	335-8273-00	LCD HOLDER	1
3	345-5783-00	RUBBER SW(B)	1	11	016-0018-17	VR W/SHAFT	2
4	345-6227-00	RUBBER SW(D)	1	12	074-3013-74	OUTLET SOCKET	1
5	380-5610-00	KNOB	2	13	017-0420-43	PILOT LAMP	7
6	373-1175-00	DIAL COVER	1	14	-----	SWITCH PWB	1
7	331-4550-00	LCD COVER	1	15	001-7094-91	LED(RE D)	18
8	379-1412-80	INDICATOR(LCD)	1	16	716-0778-51	WAVE SCREW(2 x 6)	11
				17	345-6006-00	PROTECTOR	1

Main section



Note) Some parts depend on each model. The model name is specified in the description.

NO.	PART NO.	DESCRIPTION	Q'TY	NO.	PART NO.	DESCRIPTION	Q'TY
1	076-3011-74	PLUG(24P)	1	17	309-0836-02	ES PLATE	1
2	074-1189-88	OUTLET SOCKET	1	18	816-3034-50	FLAT WIRE	1
3	073-0762-90	TERMINAL	5	19	929-5026-81	CD-MECH-MODULE	1
4	331-4126-00	TR HOLDER	1	20	331-4123-00	CD BRKT	1
5	313-1966-00	SUB HEAT SINK	1	21	310-1826-50	UPPER CASE	1
6	074-1194-00	OUTLET SOCKET	1	22	286-6224-47 286-6224-48	SETPLATE(PS3099DA) SETPLATE(PS3099DB)	1
7	074-1302-08	OUTLET SOCKET	1	23	313-1962-00	HEAT SINK	1
8	074-4007-20	OUTLET SOCKET	1	24	-----	MAIN PWB	1
9	092-0702-50	ANT-RECEPT	1	25	714-2610-89	MACHINE SCREW(M2.6 x 10)	2
10	941-0221-70	TUNER PACK	1	26	716-0878-50	IT SCREW(M2.6 x 5)	9
11	331-4549-00	ANT HOLDER	1	27	714-2603-8B	MACHINE SCREW(M2.6 x 3)	2
12	331-4548-00	IC HOLDER	1	28	780-2603-06	IT SCREW(M2.6 x 3)	2
13	331-4547-00	SOCKET HOLDER	1	29	331-4193-20	SU-PLATE	2
14	714-2606-8B	MACHINE SCREW(M2.6 x 6)	22	30	285-1960-00	GUIDE LABEL	1
15	778-3006-00	TAP SCREW(3 x 6)	4	31	345-5994-00	CUSHION RUBBER	1
16	311-1919-70	LOWER CASE	1				

ELECTRICAL PARTS LIST

Main PWB(B1) section

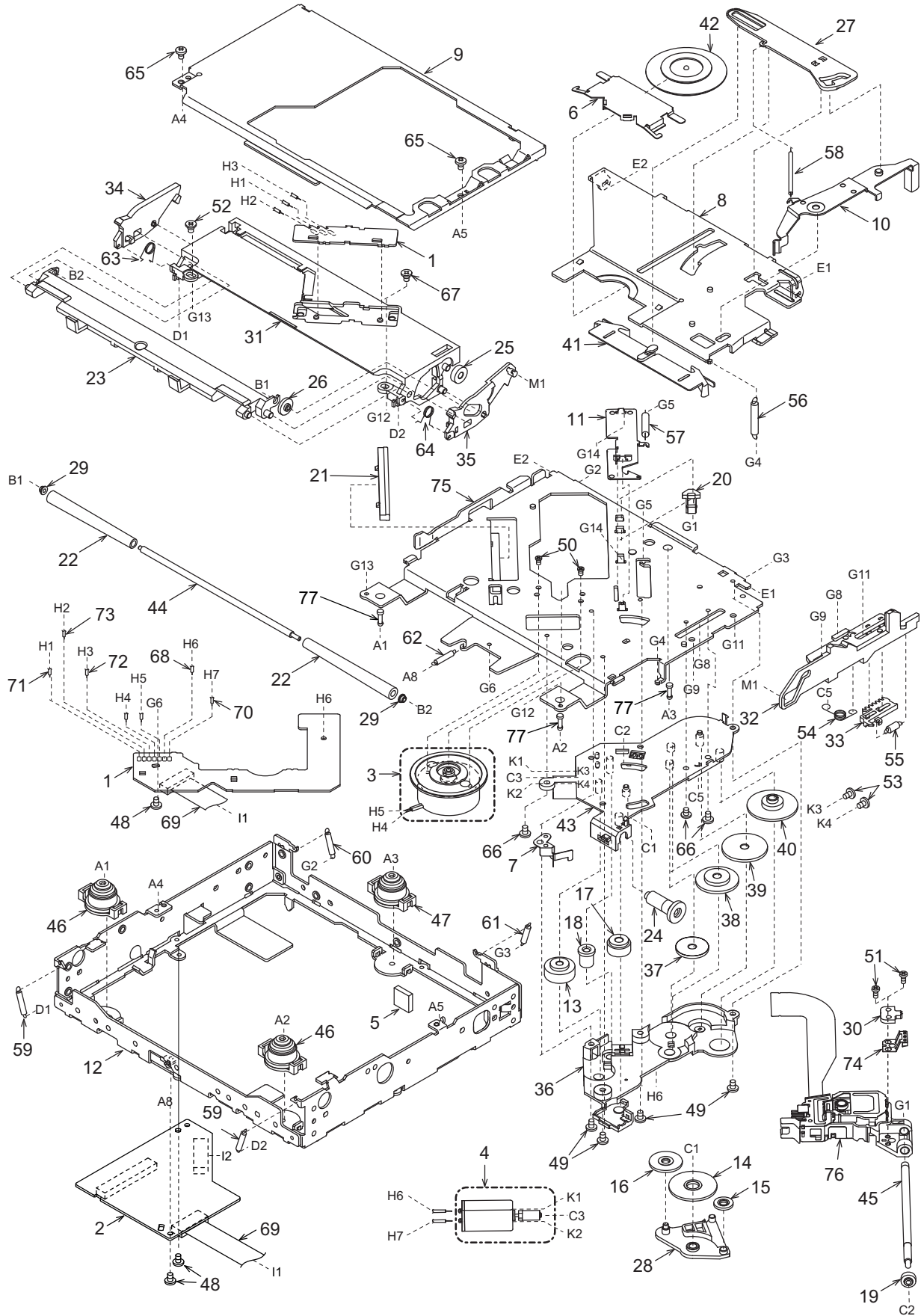
REF No.	PART No.	DESCRIPTION	REF No.	PART No.	DESCRIPTION	REF No.	PART No.	DESCRIPTION
ANT101	092-0702-50	ANT-RECEPT	C405	188-1063-38	16V 10uF	IC504	051-6600-58	HA12187FP
BL101	941-0221-70	AM/FM TUNER	C406	188-1073-28	10V 100uF	IC741	051-3369-00	NJM2388F84
C102	168-2232-55	0.022uF K	C407	168-1042-78	16V 0.1uF	J221	074-1189-88	SOCKET
C103	168-2232-55	0.022uF K	C408	166-3911-50	390pF CH	J701	074-1194-00	13P Ce-NET
C104	188-1073-28	10V 100uF	C409	043-0570-90	16V 2.2uF K	J721	074-1302-08	TH8P-SOCKET
C105	168-1042-78	16V 0.1uF	C410	168-5632-78	16V 0.056uF	J801	074-4007-20	20P
C106	168-1042-78	16V 0.1uF	C411	043-0570-90	16V 2.2uF K	L101	010-2003-04	30uH
C107	188-1073-28	10V 100uF	C412	168-1042-78	16V 0.1uF	L102	010-6009-76	22uH J
C108	168-1042-78	16V 0.1uF	C417	178-4742-78	0.47uF	L103	010-6009-76	22uH J
C109	168-2232-55	0.022uF K	C418	168-4722-55	4700pF K	L122	010-6009-76	22uH J
C111	168-2232-55	0.022uF K	C419	178-4742-78	0.47uF	L501	010-6009-76	22uH J
C112	168-4745-79	0.47uF Z	C420	168-4722-55	4700pF K	L502	010-6009-76	22uH J
C113	168-8232-78	0.082uF K	C421	178-4742-78	0.47uF	L801	010-8026-00	210uH
C114	168-8232-78	0.082uF K	C422	168-4722-55	4700pF K	P501	076-3011-74	24P
C121	166-1801-50	18pF CH	C423	178-4742-78	0.47uF	Q121	191-1197-50	2SB1197K Q,R
C122	188-4763-38	16V 47uF	C424	168-4722-55	4700pF K	Q122	191-1197-50	2SB1197K Q,R
C123	168-1022-55	1000pF K	C501	168-1042-78	16V 0.1uF	Q123	191-1197-50	2SB1197K Q,R
C124	042-1458-90	50V 1uF LN	C502	188-4763-18	6.3V 47uF	Q124	192-4116-51	2SC4116 G,L
C126	166-1011-50	100pF CH	C503	168-1032-55	0.01uF K	Q125	192-4116-51	2SC4116 G,L
C127	166-1011-50	100pF CH	C504	168-1032-55	0.01uF K	Q391	125-2027-93	DTC144EUA
C128	166-1011-50	100pF CH	C505	168-1032-55	0.01uF K	Q502	190-2071-00	2SA2071 T100
C129	166-1011-50	100pF CH	C506	168-1042-78	16V 0.1uF	Q503	192-4116-51	2SC4116 G,L
C130	168-2232-55	0.022uF K	C507	188-1053-68	50V 1uF	Q504	192-4116-51	2SC4116 G,L
C131	188-4763-38	16V 47uF	C509	168-1022-55	1000pF K	Q505	192-4116-51	2SC4116 G,L
C133	168-1042-78	16V 0.1uF	C510	168-1022-55	1000pF K	Q506	193-2118-50	2SD2118F5 R,S
C160	168-1042-78	16V 0.1uF	C511	168-1042-78	16V 0.1uF	Q701	192-4116-51	2SC4116 G,L
C212	188-4763-38	16V 47uF	C512	168-1032-55	0.01uF K	Q711	190-2071-00	2SA2071 T100
C222	168-1042-78	16V 0.1uF	C513	189-1073-29	10V 100uF	Q712	192-4116-51	2SC4116 G,L
C243	188-4763-38	16V 47uF	C514	168-1042-78	16V 0.1uF	Q761	192-5810-00	2SC5810 TE12L
C244	168-1042-78	16V 0.1uF	C515	166-1011-50	100pF CH	Q762	125-0021-91	DTA114EUA
C245	168-1042-78	16V 0.1uF	C516	188-1063-38	16V 10uF	Q763	125-2027-91	DTC114EUA
C271	188-4763-38	16V 47uF	C517	042-0559-00	5.5V 0.1F	Q771	192-5886-00	2SC5886
C273	043-0328-90	0.1uF	C722	168-1042-78	16V 0.1uF	Q775	192-4116-51	2SC4116 G,L
C274	189-2273-29	10V 220uF	C731	172-1041-15	0.1uF	Q776	125-0021-91	DTA114EUA
C276	043-0328-90	0.1uF	C732	188-1053-68	50V 1uF	Q777	125-2027-91	DTC114EUA
C301	178-1052-78	1uF	C741	043-0328-90	0.1uF	Q791	192-4116-51	2SC4116 G,L
C302	178-1052-78	1uF	C744	188-1073-28	10V 100uF	Q792	192-4116-51	2SC4116 G,L
C305	178-1052-78	1uF	C761	188-1063-38	16V 10uF	Q793	192-4116-51	2SC4116 G,L
C306	178-1052-78	1uF	C762	188-1063-38	16V 10uF	Q821	190-2071-00	2SA2071 T100
C309	168-1232-55	0.012uF K	C771	188-1073-28	10V 100uF	Q822	192-4116-51	2SC4116 G,L
C310	168-1232-55	0.012uF K	C772	188-1063-38	16V 10uF	R101	119-0000-05	1/10W 0 ohm JW
C311	188-2253-68	50V 2.2uF	C791	188-4756-58	35V 4.7uF	R102	119-0000-05	1/10W 0 ohm JW
C312	188-2253-68	50V 2.2uF	C792	168-1042-78	16V 0.1uF	R103	119-1041-15	1/10W 100k ohm
C313	188-2253-68	50V 2.2uF	C811	172-1041-15	0.1uF	R104	119-2221-15	1/10W 2.2k ohm
C314	188-2253-68	50V 2.2uF	C821	188-1063-38	16V 10uF	R105	119-6811-15	1/10W 680 ohm
C318	168-1522-55	1500pF K	CCT501	050-0140-54	1/32W 1k ohm x4J	R106	119-2221-15	1/10W 2.2k ohm
C319	168-1522-55	1500pF K	CCT504	050-0140-54	1/32W 1k ohm x4J	R107	116-1001-15	1/4W 10 ohm
C334	166-4711-50	470pF CH	CCT505	050-0140-54	1/32W 1k ohm x4J	R108	119-2231-15	1/10W 22k ohm
C335	166-4711-50	470pF CH	D391	001-0580-90	1SS352	R109	119-6821-15	1/10W 6.8k ohm
C346	188-1073-28	10V 100uF	D505	001-0580-90	1SS352	R111	166-8201-50	82pF CH
C352	168-1042-78	16V 0.1uF	D506	001-2403-90	M1F60	R122	119-3321-15	1/10W 3.3k ohm
C353	042-1562-15	10V 220uF	D507	001-4301-25	HZU4.7B1	R123	119-4721-15	1/10W 4.7k ohm
C354	166-2201-50	22pF CH	D508	001-0466-90	S5688B	R124	119-2221-15	1/10W 2.2k ohm
C355	166-2201-50	22pF CH	D509	001-0504-36	HZS7 A1L	R125	119-1021-15	1/10W 1k ohm
C356	166-1007-50	10pF CH	D701	001-0424-31	MA4180	R126	119-0000-05	1/10W 0 ohm JW
C357	166-1007-50	10pF CH	D702	001-0424-31	MA4180	R127	119-5631-15	1/10W 56k ohm
C358	188-1063-38	16V 10uF	D703	001-0424-31	MA4180	R128	119-4731-15	1/10W 47k ohm
C359	188-1063-38	16V 10uF	D711	001-0466-90	S5688B	R129	119-4731-15	1/10W 47k ohm
C360	188-1063-38	16V 10uF	D712	001-0466-90	S5688B	R130	119-2221-15	1/10W 2.2k ohm
C361	188-1063-38	16V 10uF	D731	001-0466-90	S5688B	R131	119-1031-15	1/10W 10k ohm
C391	168-1042-78	16V 0.1uF	D761	001-0504-39	HZS7 B2L	R132	119-1031-15	1/10W 10k ohm
C392	168-1042-78	16V 0.1uF	D771	001-0347-44	MA4082M	R133	119-2221-15	1/10W 2.2k ohm
C393	168-1042-78	16V 0.1uF	D801	001-0592-00	RM4Z	R134	119-2221-15	1/10W 2.2k ohm
C394	168-1042-78	16V 0.1uF	D851	001-4301-68	HZU18B1	R135	119-1031-15	1/10W 10k ohm
C395	168-1032-55	0.01uF K	IC121	051-6212-18	LC72191JM-UC	R221	119-4731-15	1/10W 47k ohm
C396	163-1053-65	50V 1uF	IC241	051-3395-90	NJU7780U1-15-TES	R271	119-4731-15	1/10W 47k ohm
C397	042-1624-00	16V 4700uF	IC271	051-3333-00	NJM2396F05	R275	119-0000-05	1/10W 0 ohm JW
C398	163-1063-35	16V 10uF	IC272	051-3366-00	NJM2396F08	R301	119-1021-15	1/10W 1k ohm
C399	163-1053-65	50V 1uF	IC351	051-3034-90	NJM4558V	R302	119-1021-15	1/10W 1k ohm
C400	166-2201-50	22pF CH	IC391	051-2040-00	TA8276H	R305	119-1021-15	1/10W 1k ohm
C401	166-3911-50	390pF CH	IC401	051-5046-90	CL7639V20	R306	119-1021-15	1/10W 1k ohm
C402	043-0570-90	16V 2.2uF K	IC501	052-3220-01	M30624MHP-E59GP	R309	119-1031-15	1/10W 10k ohm
C403	168-5632-78	16V 0.056uF	IC502	051-0869-58	NJM2103M	R310	119-1031-15	1/10W 10k ohm
C404	043-0570-90	16V 2.2uF K	IC503	051-9402-68	BR93L56F-W	R311	119-5631-15	1/10W 56k ohm

REF No.	PART No.	DESCRIPTION	REF No.	PART No.	DESCRIPTION	REF No.	PART No.	DESCRIPTION
R312	119-5631-15	1/10W 56k ohm	R520	119-4731-15	1/10W 47k ohm	R713	116-2221-15	1/4W 2.2k ohm
R313	119-5631-15	1/10W 56k ohm	R522	119-4731-15	1/10W 47k ohm	R714	119-1031-15	1/10W 10k ohm
R314	119-5631-15	1/10W 56k ohm	R527	119-4721-15	1/10W 4.7k ohm	R715	119-3321-15	1/10W 3.3k ohm
R323	119-0000-05	1/10W 0 ohm JW	R528	032-0140-66	1/10W 220 ohm F	R726	119-1021-15	1/10W 1k ohm
R324	119-0000-05	1/10W 0 ohm JW	R529	119-1031-15	1/10W 10k ohm	R731	116-5621-15	1/4W 5.6k ohm
R325	119-0000-05	1/10W 0 ohm JW	R530	119-1041-15	1/10W 100k ohm	R732	116-4721-15	1/4W 4.7k ohm
R326	119-0000-05	1/10W 0 ohm JW	R531	119-1031-15	1/10W 10k ohm	R761	032-0092-56	1/8W 22k ohm F
R351	119-8211-15	1/10W 820 ohm	R532	119-4721-15	1/10W 4.7k ohm	R762	032-0092-31	1/8W 150k ohm F
R352	119-1021-15	1/10W 1k ohm	R533	119-4721-15	1/10W 4.7k ohm	R763	032-0092-51	1/8W 1k ohm F
R353	032-0140-50	1/10W 10k ohm F	R534	119-1021-15	1/10W 1k ohm	R764	119-1221-15	1/10W 1.2k ohm
R354	032-0140-50	1/10W 10k ohm F	R535	119-1031-15	1/10W 10k ohm	R773	116-1021-15	1/4W 1k ohm
R355	032-0140-50	1/10W 10k ohm F	R536	119-2221-15	1/10W 2.2k ohm	R779	116-1821-15	1/4W 1.8k ohm
R356	032-0140-50	1/10W 10k ohm F	R537	119-1031-15	1/10W 10k ohm	R780	117-1821-15	1/8W 1.8k ohm
R357	032-0140-50	1/10W 10k ohm F	R538	119-1031-15	1/10W 10k ohm	R791	119-0000-05	1/10W 0 ohm JW
R358	032-0140-50	1/10W 10k ohm F	R539	119-1031-15	1/10W 10k ohm	R792	116-4721-15	1/4W 4.7k ohm
R359	032-0140-50	1/10W 10k ohm F	R540	119-4731-15	1/10W 47k ohm	R795	119-4721-15	1/10W 4.7k ohm
R360	032-0140-50	1/10W 10k ohm F	R541	119-5621-15	1/10W 5.6k ohm	R796	116-5611-15	1/4W 560 ohm
R391	119-5631-15	1/10W 56k ohm	R542	119-2231-15	1/10W 22k ohm	R797	119-4721-15	1/10W 4.7k ohm
R392	119-1221-15	1/10W 1.2k ohm	R544	119-4731-15	1/10W 47k ohm	R798	119-4721-15	1/10W 4.7k ohm
R393	119-2221-15	1/10W 2.2k ohm	R545	119-6831-15	1/10W 68k ohm	R799	119-1831-15	1/10W 1.8k ohm
R394	119-2221-15	1/10W 2.2k ohm	R546	119-1021-15	1/10W 1k ohm	R801	119-0000-05	1/10W 0 ohm JW
R395	119-2221-15	1/10W 2.2k ohm	R547	119-1021-15	1/10W 1k ohm	R802	119-0000-05	1/10W 0 ohm JW
R396	119-2221-15	1/10W 2.2k ohm	R548	119-1031-15	1/10W 10k ohm	R821	116-4721-15	1/4W 4.7k ohm
R397	119-1031-15	1/10W 10k ohm	R549	119-3341-15	1/10W 330k ohm	R822	119-3321-15	1/10W 3.3k ohm
R400	119-1031-15	1/10W 10k ohm	R550	032-0140-22	1/10W 68k ohm F	R823	119-1031-15	1/10W 10k ohm
R401	119-2731-15	1/10W 27k ohm	R551	032-0140-00	1/10W 56k ohm F	R824	116-2221-15	1/4W 2.2k ohm
R402	119-2021-15	1/10W 2k ohm	R552	117-6821-15	1/8W 6.8k ohm	R825	116-2221-15	1/4W 2.2k ohm
R403	119-2731-15	1/10W 27k ohm	R553	119-4731-15	1/10W 47k ohm	R826	119-8221-15	1/10W 8.2k ohm
R404	119-2021-15	1/10W 2k ohm	R554	119-4731-15	1/10W 47k ohm	R901	119-0000-05	1/10W 0 ohm JW
R405	119-0000-05	1/10W 0 ohm JW	R555	119-5621-15	1/10W 5.6k ohm	R902	119-0000-05	1/10W 0 ohm JW
R502	119-4721-15	1/10W 4.7k ohm	R556	119-1021-15	1/10W 1k ohm	R903	119-0000-05	1/10W 0 ohm JW
R504	119-4721-15	1/10W 4.7k ohm	R557	119-4731-15	1/10W 47k ohm	SUP101	060-0122-20	DSP-141N-S00B
R505	119-1041-15	1/10W 100k ohm	R558	119-1031-15	1/10W 10k ohm	TC121	004-1580-10	30pF GRN
R506	119-1041-15	1/10W 100k ohm	R567	119-4731-15	1/10W 47k ohm	TH711	002-0318-21	THERMISTOR
R507	119-4731-15	1/10W 47k ohm	R570	119-4731-15	1/10W 47k ohm	TM101	073-0762-90	TERMINAL
R508	119-4731-15	1/10W 47k ohm	R572	119-4731-15	1/10W 47k ohm	TM501	073-0762-90	TERMINAL
R510	119-4721-15	1/10W 4.7k ohm	R574	119-4731-15	1/10W 47k ohm	TM502	073-0762-90	TERMINAL
R511	119-4721-15	1/10W 4.7k ohm	R577	119-4731-15	1/10W 47k ohm	TM801	073-0762-90	TERMINAL
R512	119-4721-15	1/10W 4.7k ohm	R701	116-1211-15	1/4W 120 ohm	TM802	073-0762-90	TERMINAL
R513	119-4721-15	1/10W 4.7k ohm	R702	116-6801-15	1/4W 68 ohm	X121	061-1066-00	7.2MHz
R514	119-1021-15	1/10W 1k ohm	R703	119-2231-15	1/10W 22k ohm	X501	060-1533-90	CSTCE10M0G52-RO
R515	119-1041-15	1/10W 100k ohm	R704	119-2231-15	1/10W 22k ohm	PWB	039-3295-00	PWB(WITHOUT COMPONENT)
R516	119-1041-15	1/10W 100k ohm	R711	116-2221-15	1/4W 2.2k ohm			
R517	116-1001-15	1/4W 10 ohm	R712	117-1031-15	1/8W 10k ohm			

Switch PWB(B2) section

REF No.	PART No.	DESCRIPTION	REF No.	PART No.	DESCRIPTION	REF No.	PART No.	DESCRIPTION
C901	168-1042-78	16V 0.1uF	D921	001-7094-91	VFR1112H-TR	R923	119-1841-15	1/10W 180k ohm
C902	168-1042-78	16V 0.1uF	D922	001-7094-91	VFR1112H-TR	R924	119-1841-15	1/10W 180k ohm
C903	168-1042-78	16V 0.1uF	D923	001-7094-91	VFR1112H-TR	R925	119-2211-15	1/10W 220 ohm
C904	168-1042-78	16V 0.1uF	IC901	051-6084-00	NJU6625FG1-03	R926	119-2211-15	1/10W 220 ohm
C905	168-1042-78	16V 0.1uF	J901	074-3013-74	24P	R927	119-2411-15	1/10W 240 ohm
C906	178-1052-78	1uF	L901	010-3406-66	22uH J	R928	119-2211-15	1/10W 220 ohm
D901	001-0580-90	1SS352	PL901	017-0420-43	14V 40mA RED	R929	119-2211-15	1/10W 220 ohm
D902	001-0580-90	1SS352	PL902	017-0420-43	14V 40mA RED	R930	119-2411-15	1/10W 240 ohm
D903	001-0580-90	1SS352	PL903	017-0420-43	14V 40mA RED	R931	119-2211-15	1/10W 220 ohm
D904	001-0580-90	1SS352	PL904	017-0420-43	14V 40mA RED	R932	119-2211-15	1/10W 220 ohm
D905	001-7094-91	VFR1112H-TR	PL905	017-0420-43	14V 40mA RED	R933	119-2411-15	1/10W 240 ohm
D906	001-7094-91	VFR1112H-TR	PL907	017-0420-43	14V 40mA RED	R934	119-2211-15	1/10W 220 ohm
D907	001-7094-91	VFR1112H-TR	PL908	017-0420-43	14V 40mA RED	R935	119-2211-15	1/10W 220 ohm
D908	001-7094-91	VFR1112H-TR	R901	119-0000-05	1/10W 0 ohm JW	R936	119-2411-15	1/10W 240 ohm
D909	001-7094-91	VFR1112H-TR	R902	119-0000-05	1/10W 0 ohm JW	R937	119-2211-15	1/10W 220 ohm
D910	001-7094-91	VFR1112H-TR	R907	119-0000-05	1/10W 0 ohm JW	R938	119-2211-15	1/10W 220 ohm
D911	001-7094-91	VFR1112H-TR	R908	119-0000-05	1/10W 0 ohm JW	R939	119-2411-15	1/10W 240 ohm
D912	001-7094-91	VFR1112H-TR	R909	119-0000-05	1/10W 0 ohm JW	R941	119-2211-15	1/10W 220 ohm
D913	001-7094-91	VFR1112H-TR	R910	119-0000-05	1/10W 0 ohm JW	R942	119-2211-15	1/10W 220 ohm
D914	001-0580-90	1SS352	R915	119-0000-05	1/10W 0 ohm JW	R943	119-2411-15	1/10W 240 ohm
D915	001-7094-91	VFR1112H-TR	R916	119-0000-05	1/10W 0 ohm JW	TH901	002-0315-00	TN10-3U153JT
D916	001-7094-91	VFR1112H-TR	R918	119-4341-15	1/10W 430k ohm	VR901	016-0018-17	VR W/SHAFT
D917	001-7094-91	VFR1112H-TR	R919	119-1021-15	1/10W 1k ohm	VR902	016-0018-17	VR W/SHAFT
D918	001-7094-91	VFR1112H-TR	R920	119-1021-15	1/10W 1k ohm	VR903	012-6004-63	470k ohm B VR
D919	001-7094-91	VFR1112H-TR	R921	119-1841-15	1/10W 180k ohm	PWB	039-3292-00	PWB(WITHOUT COMPONENT)
D920	001-7094-91	VFR1112H-TR	R922	119-1841-15	1/10W 180k ohm			

EXPLODED VIEW/PARTS LIST



NO.	PART NO.	DESCRIPTION	Q'TY	NO.	PART NO.	DESCRIPTION	Q'TY
1	-----	SENSOR PWB	1	40	621-1751-20	POWER GEAR D	1
2	-----	CD PWB	1	41	621-1752-20	DISC STOPPER	1
3	SMA-182-100	SPINDLE MOTOR-ASSY	1	42	621-1753-20	CLAMPER RING	1
4	SMA-183-100	SLED MOTOR-ASSY	1	43	621-1754-20	GEAR BASE	1
5	345-5476-20	CUSHION RUBBER	1	44	622-1571-21	ROLLER SHAFT	1
6	620-1023-23	CLAMPER PLATE	1	45	624-0020-00	LEAD SCREW	1
7	620-1026-21	SPRING PLATE	1	46	629-0086-20	DAMPER F	2
8	620-1596-23	CLAMPER LINK	1	47	629-0087-20	DAMPER R	1
9	620-1862-20	UPPER CHASSIS	1	48	716-1507-01	SCREW(M2x3)	3
10	620-1752-20	SENSOR ARM	1	49	716-1670-01	SCREW(M2x4)	4
11	620-1753-20	ID-LOCK PLATE	1	50	716-1733-01	SCREW(M1.7x2.3)	2
12	620-1868-20	LOWER CHASSIS	1	51	716-3469-01	SCREW(1.7x4)	2
13	621-0608-21	SECOND GEAR	1	52	716-3473-01	SCREW(M2x3)	1
14	621-0609-20	BASE GEAR	1	53	716-3551-00	SCREW(M1.4x2.5)	2
15	621-0610-20	IDLE GEAR A	1	54	750-7865-20	SHIFT SPRING	1
16	621-0611-20	IDLE GEAR B	1	55	750-7866-20	RACK SPRING	1
17	621-0612-21	ROLLER GEAR A	1	56	750-7867-20	CLAMPER SPRING	1
18	621-0620-20	THREAD GEAR A	1	57	750-7868-20	ID-LOCK SPRING	1
19	621-0621-20	THREAD GEAR B	1	58	750-7869-20	SENSOR SPRING	1
20	621-0623-23	LS-HOLDER	1	59	750-7870-20	DR-SPRING F	2
21	621-0624-22	GUIDE RAIL	1	60	750-7871-20	DR-SPRING RA	1
22	621-0711-21	LOADING ROLLER	2	61	750-7872-20	DR-SPRING RB	1
23	621-0718-21	ROLLER GUIDE	1	62	750-7873-20	DR-SPRING C	1
24	621-0719-20	ROLLER GEAR B	1	63	750-6797-20	ROLLER SPRING L	1
25	621-0720-20	ROLLER GEAR C	1	64	750-6798-20	ROLLER SPRING R	1
26	621-0721-20	ROLLER GEAR D	1	65	714-2003-8B	SCREW(M2x3)	2
27	621-0728-20	STOPPER LINK	1	66	780-2025-00	SCREW(M2x2.5)	3
28	621-1719-20	IDLE CASE	1	67	781-1730-00	SCREW(M1.7x3)	1
29	621-1726-20	ROLLER SLEEVE	2	68	803-4906-60	VINYL-COAT-WIRE(ORG)	1
30	621-1729-20	SH-BASE	1	69	816-2542-01	FLAT WIRE	1
31	621-1742-20	UPPER GUIDE	1	70	816-2590-00	VINYL-COAT-WIRE(GRN)	1
32	621-1743-20	SHIFT LEVER	1	71	816-2591-00	VINYL-COAT-WIRE(YEL)	1
33	621-1744-20	RACK	1	72	816-2592-00	VINYL-COAT-WIRE(BLUE)	1
34	621-1745-20	LOCK ARM L	1	73	816-2593-00	VINYL-COAT-WIRE(PUR)	1
35	621-1746-20	LOCK ARM R	1	74	966-1722-20	SH-RACK-ASSY	1
36	621-1747-20	GEAR COVER	1	75	620-1751-21	DRIVE-PLATE	1
37	621-1748-20	POWER GEAR A	1	76	969-0071-30	PICKUP-ASSY	1
38	621-1749-20	POWER GEAR B	1	77	622-1570-21	DAMPER PIN	3
39	621-1750-20	POWER GEAR C	1				

ELECTRICAL PARTS LIST

CD PWB(BM1) section

REF No.	PART No.	DESCRIPTION	REF No.	PART No.	DESCRIPTION	REF No.	PART No.	DESCRIPTION
C2	178-1052-78	1uF	C68	168-1042-78	16V 0.1uF	R20	119-5121-15	1/10W 5.1k ohm
C3	042-0627-90	16V 100uF	C69	042-1710-90	6.3V 100uF	R21	119-1031-15	1/10W 10k ohm
C4	168-1042-78	16V 0.1uF	C74	042-1709-90	6.3V 47uF	R22	119-2231-15	1/10W 22k ohm
C6	178-1052-78	1uF	C75	168-1042-78	16V 0.1uF	R23	119-5121-15	1/10W 5.1k ohm
C7	042-0560-85	6.3V 100uF	C77	168-1042-78	16V 0.1uF	R24	119-1031-15	1/10W 10k ohm
C8	178-1052-78	1uF	C78	168-1022-55	1000pF K	R25	119-1041-15	1/10W 100k ohm
C9	166-4711-50	470pF CH	C79	168-1022-55	1000pF K	R26	119-0000-05	1/10W 0 ohm JW
C10	168-4732-78	0.047uF K	C80	042-0423-20	10V-10uF	R27	119-4731-15	1/10W 47k ohm
C11	166-4711-50	470pF CH	C81	168-1042-78	16V 0.1uF	R29	119-5621-15	1/10W 5.6k ohm
C12	168-4732-78	0.047uF K	D1	001-1305-90	DAN217UT106	R30	119-2231-15	1/10W 22k ohm
C14	168-1042-78	16V 0.1uF	IC1	051-6733-10	TC94A70FG-005	R31	119-4731-15	1/10W 47k ohm
C15	166-1007-50	10pF CH	IC2	051-6079-80	BA5830FM-E2	R32	119-3341-15	1/10W 330k ohm
C16	166-1007-50	10pF CH	IC3	051-3395-90	NJU7780U1-15-TES	R33	119-1041-15	1/10W 100k ohm
C17	168-1042-78	16V 0.1uF	IC4	051-3396-90	NJM2386ADL3-33-TE1	R34	119-1041-15	1/10W 100k ohm
C18	168-2222-55	2200pF K	J1	074-1138-65	SOCKET (15P)	R35	119-1041-15	1/10W 100k ohm
C19	168-1042-78	16V 0.1uF	J2	074-1138-60	SOCKET (10P)	R36	119-1011-15	1/10W 100 ohm
C20	168-1042-78	16V 0.1uF	J3	074-1205-88	SOCKET (38P)	R38	119-1041-15	1/10W 100k ohm
C22	168-6822-55	6800pF K	L1	119-0000-05	1/10 0ohm JW	R39	119-0000-05	1/10W 0 ohm JW
C24	168-3332-78	0.033uF K	L2	119-0000-05	1/10 0ohm JW	R41	119-4721-15	1/10W 4.7k ohm
C25	168-3332-78	0.033uF K	L3	119-0000-05	1/10 0ohm JW	R42	119-4721-15	1/10W 4.7k ohm
C26	168-1042-78	16V 0.1uF	L4	010-3104-50	30ohm/100MHZ	R44	119-4731-15	1/10W 47k ohm
C28	168-1042-78	16V 0.1uF	L5	010-3406-66	22uH J	R45	119-1031-15	1/10W 1k ohm
C29	168-1042-78	16V 0.1uF	Q1	131-1188-50	2SB1188 Q,R	R46	119-4731-15	1/10W 47k ohm
C30	168-1042-78	16V 0.1uF	Q1	190-2060-00	2SA2060-TE12L	R47	119-4731-15	1/10W 47k ohm
C31	168-1042-78	16V 0.1uF	Q2	198-3018-00	2SK3018	R48	119-1031-15	1/10W 10k ohm
C33	168-1042-78	16V 0.1uF	Q3	198-3018-00	2SK3018	R49	119-1031-15	1/10W 10k ohm
C34	168-1042-78	16V 0.1uF	Q4	192-4155-51	2SC4155A S,T	R50	119-2211-15	1/10W 220 ohm
C35	168-5622-55	5600pF K	Q5	198-3018-00	2SK3018	R51	119-1031-15	1/10W 10k ohm
C36	168-1042-78	16V 0.1uF	Q6	192-4155-51	2SC4155A S,T	R52	119-1031-15	1/10W 10k ohm
C37	168-5622-55	5600pF K	Q7	198-3018-00	2SK3018	R53	119-2211-15	1/10W 220 ohm
C38	166-6801-50	68pF	Q8	198-3018-00	2SK3018	R54	119-3331-15	1/10W 33k ohm
C39	168-1042-78	16V 0.1uF	R1	119-2211-15	1/10W 220 ohm	R55	119-4721-15	1/10W 4.7k ohm
C40	168-1532-55	0.015uF K	R2	117-6811-15	1/8W 680 ohm	R56	119-3331-15	1/10W 33k ohm
C41	168-1042-78	16V 0.1uF	R3	117-0000-05	1/8W 0 ohm JW	R57	119-4721-15	1/10W 4.7k ohm
C42	168-1032-55	0.01uF K	R4	119-1001-15	1/10W 10 ohm	R58	119-3331-15	1/10W 33k ohm
C43	168-1042-78	16V 0.1uF	R5	119-2731-15	1/10W 27k ohm	R59	119-4721-15	1/10W 4.7k ohm
C44	168-1042-78	16V 0.1uF	R6	119-2731-15	1/10W 27k ohm	R60	119-3331-15	1/10W 33k ohm
C46	168-1522-55	1500pF K	R7	119-2221-15	1/10W 2.2k ohm	R61	119-4721-15	1/10W 4.7k ohm
C47	168-3322-55	3300pF K	R8	119-2731-15	1/10W 27k ohm	R62	119-3331-15	1/10W 33k ohm
C48	168-1032-55	0.01uF K	R9	119-2731-15	1/10W 27k ohm	R63	119-4721-15	1/10W 4.7k ohm
C49	168-1042-78	16V 0.1uF	R10	119-1051-15	1/10W 1M ohm	R64	119-1051-15	1/10W 1M ohm
C54	168-1532-55	0.015uF K	R11	119-2211-15	1/10W 220 ohm	R65	119-4701-15	1/10W 47 ohm
C55	168-1042-78	16V 0.1uF	R13	119-8231-15	1/10W 82k ohm	R66	119-1051-15	1/10W 1M ohm
C56	168-1042-78	16V 0.1uF	R14	119-1531-15	1/10W 15k ohm	R68	119-1031-15	1/10W 10k ohm
C58	166-6097-50	6pF CH	R15	119-8231-15	1/10W 82k ohm	TM1	073-0768-90	TERMINAL
C59	166-4701-50	47pF CH	R16	119-4731-15	1/10W 47k ohm	X1	061-3534-90	16.92MHz
C60	168-1042-78	16V 0.1uF	R17	119-5121-15	1/10W 5.1k ohm	PWB	039-3205-01	PWB(WITHOUT COMPONENTS)
C63	168-1042-78	16V 0.1uF	R18	119-1031-15	1/10W 10k ohm			
C64	042-1709-90	6.3V 47uF	R19	119-0000-05	1/10W 0 ohm JW			
C66	168-1042-78	16V 0.1uF						

SENSOR PWB(BM2) section

REF No.	PART No.	DESCRIPTION	REF No.	PART No.	DESCRIPTION	REF No.	PART No.	DESCRIPTION
D1	001-7058-90	AN1105W-RR	Q1	060-4015-91	PS1192HB-32-TR	S2	013-7413-50	LIMIT
D2	001-7058-90	AN1105W-RR	Q2	060-4015-91	PS1192HB-32-TR	PWB	039-1944-21	PWB(WITHOUT COMPONENTS)
J1	074-1138-60	10P	S1	013-7414-50	CHUCKING			