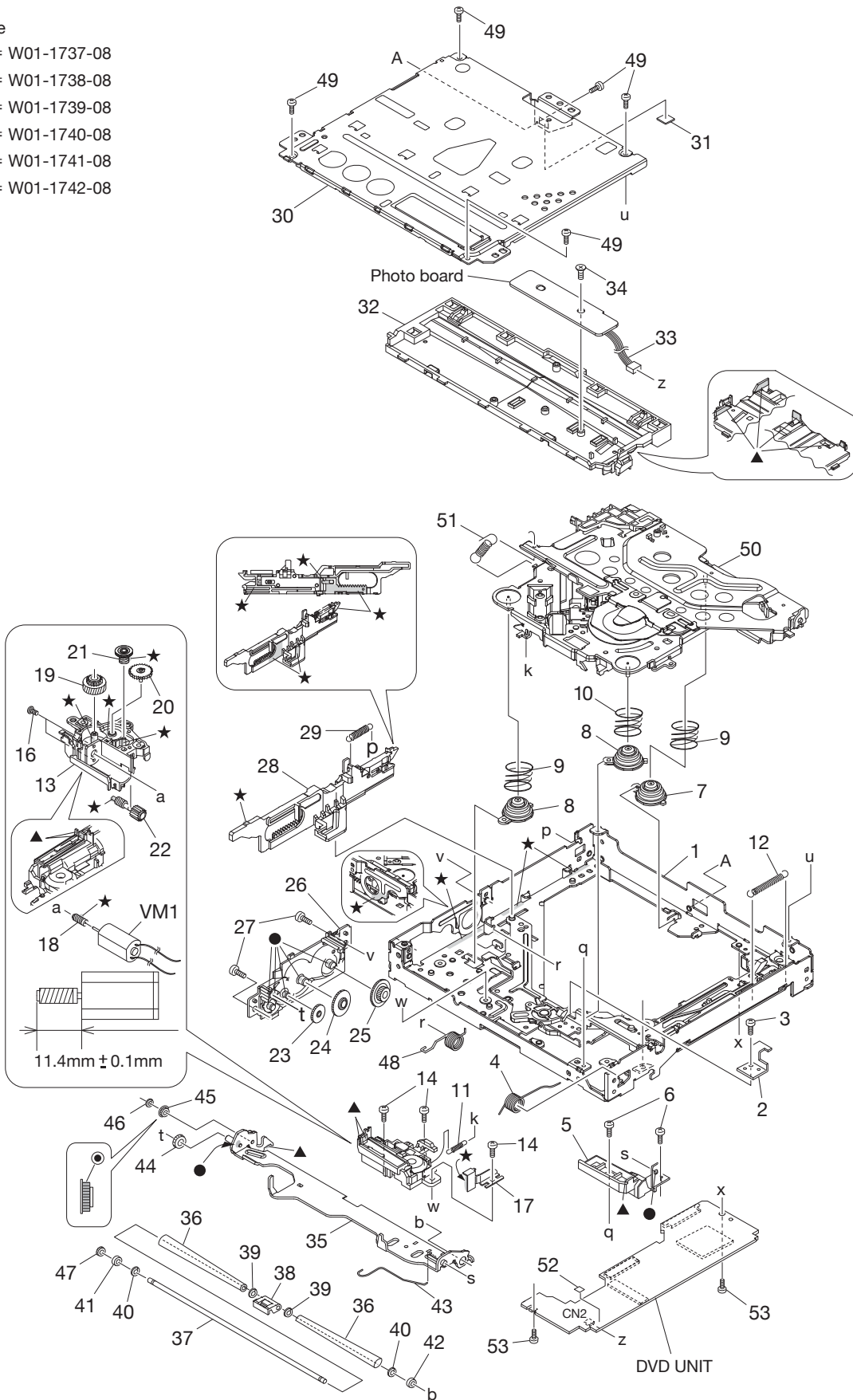


EXPLODED VIEW (DVD MECHANISM)

Grease

- ★ = W01-1737-08
- ◎ = W01-1738-08
- ▲ = W01-1739-08
- = W01-1740-08
- = W01-1741-08
- △ = W01-1742-08



Parts with the exploded numbers larger than 700 are not supplied.

PARTS LIST

* New parts

Parts without **Parts No.** are not supplied.

Les articles non mentionnés dans le **Parts No.** ne sont pas fournis.

Teile ohne **Parts No.** werden nicht geliefert.

Ref. No.	A d	N e w	Parts No.	Description	Desti- nation
KDV-415U/5244U/5544U/MP5042U/MP5343U/MP5443U					
201	1C		A02-2757-13	PLASTIC CABINET ASSY	M1X1
204	2C	*	A22-3220-13	SUB PANEL ASSY	
205	3D		A40-1365-02	BOTTOM PLATE	
206	2C		A46-1882-01	REAR COVER	
207	1D	*	A52-1116-11	TOP COVER	
PA1	3C	*	A64-4792-12	PANEL ASSY	K
PA1	3C	*	A64-4793-12	PANEL ASSY	R1
PA1	3C	*	A64-4794-12	PANEL ASSY	E1
PA1	3C	*	A64-4795-12	PANEL ASSY	E2
PA1	3C	*	A64-4796-12	PANEL ASSY	M1
PA1	3C	*	A64-4797-12	PANEL ASSY	X1
RC1	1C	*	A70-2101-05	REMOTE CONTROLLER AS (RC-DV350)	
-		*	B64-4427-00	INSTRUCTION MANUAL (ENG.SPA.)	KR1
-		*	B64-4428-00	INSTRUCTION MANUAL (FRE.)	K
-		*	B64-4429-00	INSTRUCTION MANUAL (POR.)	R1
-		*	B64-4430-00	INSTRUCTION MANUAL (ENG.)	M1X1
-		*	B64-4431-00	INSTRUCTION MANUAL (T-CHI.ARA.)	M1
-		*	B64-4433-00	INSTRUCTION MANUAL (ENG.)	E1E2
-		*	B64-4434-00	INSTRUCTION MANUAL (FRE.GER.)	E1
-		*	B64-4435-00	INSTRUCTION MANUAL (DUT.ITA.)	E1
-		*	B64-4436-00	INSTRUCTION MANUAL (SPA.POR.)	E1
-		*	B64-4437-00	INSTRUCTION MANUAL (RUS.UKR.)	E2
211	1C		B07-3270-01	ESCUTCHEON	KR1E1
211	1C		B07-3270-01	ESCUTCHEON	E2
211	1C	*	B07-3317-01	ESCUTCHEON	M1X1
212	3C	*	B10-5247-11	FRONT GLASS	K
212	3C	*	B10-5248-11	FRONT GLASS	R1
212	3C	*	B10-5249-11	FRONT GLASS	E1
212	3C	*	B10-5250-11	FRONT GLASS	E2
212	3C	*	B10-5251-11	FRONT GLASS	M1
212	3C	*	B10-5252-11	FRONT GLASS	X1
213	3C		B19-2513-03	LIGHTING BOARD	
221	1C	*	D10-7057-03	LEVER	
222	2C		D10-4447-03	LEVER	
223	1C		D10-7049-04	LEVER	
224	2C		D21-2329-04	SHAFT	
VME1	1D	*	D40-2229-05	DVD MECHANISM ASSY (XDK4-1)	
225	3C		E29-2128-02	CONDUCTIVE RUBBER	
227	3D		E29-2130-04	CONDUCTIVE RUBBER	
228	1C	*	E30-6920-05	CONNECTING CORD ASSY	
229	2D	*	E30-6887-05	CORD WITH PINPLUG	
△ DC1	1C		E30-6767-05	DC CORD	KR1M1
△ DC1	1C		E30-6767-05	DC CORD	X1
△ DC2	1C		E30-6799-05	DC CORD	E1E2
FC1	2D	*	E39-1087-05	FLAT CABLE (0.5MM PITCH 50PIN)	
230	3C		F07-2204-03	COVER	
232	3D	*	F09-3023-05	FAN	
235	2D		F29-0626-04	INSULATING COVER	
△ F1	3D		F52-0023-05	FUSE (MINI BLADE TYPE) 10A	
236	2C		G01-2987-04	TORSION COIL SPRING	
237	2C		G01-3096-04	EXTENSION SPRING	
238	3C		G01-3244-04	COMPRESSION SPRING	

Ref. No.	A d	N e w	Parts No.	Description	Desti- nation
239	2D		G11-3786-04	CUSHION	
-		*	H54-4621-03	ITEM CARTON CASE	K
-		*	H54-4622-03	ITEM CARTON CASE	R1
-		*	H54-4623-03	ITEM CARTON CASE	E1
-		*	H54-4624-03	ITEM CARTON CASE	E2
-		*	H54-4625-03	ITEM CARTON CASE	M1
-		*	H54-4626-03	ITEM CARTON CASE	X1
241	3C		J19-7231-01	HOLDER	
243	1C		J22-0789-03	MOUNTING HARDWARE ASSY	
251	3C		K24-4955-04	PUSH KNOB (EJECT)	
252	3C		K24-4956-03	PUSH KNOB (FM)	
253	3C		K24-4957-03	PUSH KNOB (AM)	
254	3C		K24-4958-03	PUSH KNOB (DISP)	
255	3C		K24-4959-04	PUSH KNOB (SERCH)	
256	3C		K24-4960-03	PUSH KNOB (SRC)	
257	3C		K24-4961-04	PUSH KNOB (RELEASE)	
258	3C		K25-1937-02	PUSH KNOB (PRESET)	
261	3C		K28-0337-04	KNOB ASSY (VOL)	
262	1C		N84-4016-48	PAN HEAD TAPTITE SCREW	KR1M1
262	1C		N84-4016-48	PAN HEAD TAPTITE SCREW	X1
264	1C		N99-1757-15	SCREW SET	KR1M1
264	1C		N99-1757-15	SCREW SET	X1
A	2C		N24-3015-48	E TYPE RETAINING RING	
B	2D		N84-2614-48	PAN HEAD TAPTITE SCREW	
C	3C		N80-2006-48	PAN HEAD TAPTITE SCREW	
D	2C		N80-2008-43	PAN HEAD TAPTITE SCREW	
E	1D	*	N09-6816-05	BINDING HEAD TAPTITE SCREW	
F	1D		N86-2606-48	BINDING HEAD TAPTITE SCREW	
G	2D	*	N86-2003-48	BINDING HEAD TAPTITE SCREW	
N	3D		N09-6758-05	TAPTITE SCREW	
266	1C		W01-1710-05	CARRYING CASE	KR1E1
266	1C		W01-1710-05	CARRYING CASE	E2
SWITCH UNIT (X16-657x-xx)					
D1 -9			B30-1788-05	LED (1608 WHITE)	E1E2M1
D1 -9			B30-1788-05	LED (1608 WHITE)	X1
D1 -9			B30-3210-05	LED (1608 BLUE)	KR1
D11 -14			B30-1788-05	LED (1608 WHITE)	E1E2M1
D11 -14			B30-1788-05	LED (1608 WHITE)	X1
D11 -14			B30-3210-05	LED (1608 BLUE)	KR1
D21			B30-1779-05	LED (1608_SR)	
C11			CK73GB1A105K	CHIP C 1.0UF K	
C12			CK73GB1C104K	CHIP C 0.10UF K	
C21			CK73GB1A105K	CHIP C 1.0UF K	
C51 ,52			CK73GB1H103K	CHIP C 0.010UF K	
C101,102			CC73GCH1H330J	CHIP C 33PF J	
C103			CK73GB1H472K	CHIP C 4700PF K	
J1			E59-0855-05	RECTANGULAR PLUG	
J2		*	E11-0664-05	3.5D PHONE JACK (NI,4PIN)	
J3			E58-1109-05	RECTANGULAR RECEPTACLE	
CP11			RK74GA1J101J	CHIP-COM 100 J 1/16W	

E1 : KDV-5244U **E2** : KDV-5544U (Europe)
K : KDV-415U (North America) **R1** : KDV-MP5042U (Latin America)
X1 : KDV-MP5443U (Australia) **M1** : KDV-MP5343U (Other Areas)

△ Indicates safety critical components.

PARTS LIST

SWITCH UNIT (X16-657x-xx)

Ref. No.	Add	New	Parts No.	Description	Destination
R11			RK73GB2A473J	CHIP R 47K J 1/10W	
R12			RK73GB2A221J	CHIP R 220 J 1/10W	
R13			RK73GB2A102J	CHIP R 1.0K J 1/10W	
R14			RK73GB2A472J	CHIP R 4.7K J 1/10W	
R15			RK73GB2A4R7J	CHIP R 4.7 J 1/10W	
R21			RK73GB2A104J	CHIP R 100K J 1/10W	
R22			RK73GB2A101J	CHIP R 100 J 1/10W	
R31 -33			RK73FB2B471J	CHIP R 470 J 1/8W	
R34 ,35			RK73FB2B102J	CHIP R 1.0K J 1/8W	E1E2M1
R34 ,35			RK73FB2B102J	CHIP R 1.0K J 1/8W	X1
R34 ,35			RK73FB2B122J	CHIP R 1.2K J 1/8W	KR1
R41			RK73EB2E102J	CHIP R 1.0K J 1/4W	
R61 ,62			RK73EB2E240J	CHIP R 24 J 1/4W	
R101,102			RK73GB2A220J	CHIP R 22 J 1/10W	
S1			T99-0484-05	ROTARY ENCODER	
D101			STZ6.8N	ZENER DIODE	
D102			DA204U	DIODE	
D103			UDZW6.8(B)	ZENER DIODE	
ED1			3-BT-262N	FLUORESCENT INDICATOR TUBE	
IC1			BU9754KV-E2	MOS-IC	
IC2			PIC95603	ANALOGUE IC	
ELECTRIC UNIT (X34-637x-xx)					
C1		*	C90-6907-05	ELECTRO 3300UF 16WV	
C2			CK73GB1H103K	CHIP C 0.010UF K	
C10 ,11			C90-6851-05	ELECTRO 220UF 25WV	
C13			CD04BA1C100M	ELECTRO 10UF 16WV	
C14			CD04AS0J101M	ELECTRO 100UF 6.3WV	
C20			CK73GB1A105K	CHIP C 1.0UF K	
C21			CD04AY1A221M	ELECTRO 220UF 10WV	
C25			CK73GB1A105K	CHIP C 1.0UF K	
C27			CD04AS0J101M	ELECTRO 100UF 6.3WV	
C28			CK73GB1A105K	CHIP C 1.0UF K	
C30			CD04AS1H3R3M	ELECTRO 3.3UF 50WV	
C40			CK73GB1C104K	CHIP C 0.10UF K	
C41			CD04AY1H220M	ELECTRO 22UF 50WV	
C50			CK73GB1A105K	CHIP C 1.0UF K	
C52			CD04AJ1C101M	ELECTRO 100UF 16WV	
C53			CK73GB1H103K	CHIP C 0.010UF K	
C61			CK73GB1C473K	CHIP C 0.047UF K	
C62			CD04BJ0J331M	ELECTRO 330UF 6.3WV	
C63			CK73EB0J226K	CHIP C 22UF K	
C70			CK73GB1C473K	CHIP C 0.047UF K	
C71			CD04BJ0J331M	ELECTRO 330UF 6.3WV	
C80 ,81			CD04BK1E101M	ELECTRO 100UF 25WV	
C82			CK73GB1C104K	CHIP C 0.10UF K	
C83			CK73GB1C473K	CHIP C 0.047UF K	
C84 ,85			CD04BK1A221M	ELECTRO 220UF 10WV	
C87			CK73EB1E105K	CHIP C 1.0UF K	
C90			CD04AS0J221M	ELECTRO 220UF 6.3WV	
C91			CK73GB1C473K	CHIP C 0.047UF K	
C92			CD04AS0J221M	ELECTRO 220UF 6.3WV	
C93			CK73GB1H102K	CHIP C 1000PF K	
C94			CD04AS1C470M	ELECTRO 47UF 16WV	

Ref. No.	Add	New	Parts No.	Description	Destination
C100			CD04AS1H3R3M	ELECTRO 3.3UF 50WV	
C101			CK73GB1A105K	CHIP C 1.0UF K	
C102			CK73GB1H104K	CHIP C 0.10UF K	
C111			CK73GB1H103K	CHIP C 0.010UF K	
C121-123			CK73GB1H103K	CHIP C 0.010UF K	
C140,141			CK73GB1C104K	CHIP C 0.10UF K	
C142			CD04AS1V100M	ELECTRO 10UF 35WV	
C150			CK73GB1C104K	CHIP C 0.10UF K	
C151,152			CC73GCH1H101J	CHIP C 100PF J	M1X1
C152			CC73GCH1H101J	CHIP C 100PF J	KR1E1
C152			CC73GCH1H101J	CHIP C 100PF J	E2
C153			CK73GB1H102K	CHIP C 1000PF K	KR1E1
C153			CK73GB1H102K	CHIP C 1000PF K	E2
C153,154			CK73GB1H102K	CHIP C 1000PF K	M1X1
C160			CK73GB1A105K	CHIP C 1.0UF K	
C161			CK73GB1H103K	CHIP C 0.010UF K	
C162			CK73GB1A105K	CHIP C 1.0UF K	
C163			CD04AS0J470M	ELECTRO 47UF 6.3WV	
C170,171			CK73GB1H103K	CHIP C 0.010UF K	
C180			CD04AS0J221M	ELECTRO 220UF 6.3WV	
C181			CK73GB1H103K	CHIP C 0.010UF K	
C182			CK73GB1C104K	CHIP C 0.10UF K	
C183			CD04AS1C101M	ELECTRO 100UF 16WV	
C184			CD04AS1C220M	ELECTRO 22UF 16WV	
C190			CK73FB1C105K	CHIP C 1.0UF K	
C202			CK73GB1H103K	CHIP C 0.010UF K	
C208,209			CC73GCH1H180J	CHIP C 18PF J	
C210			CK73GB1C104K	CHIP C 0.10UF K	
C211			CC73GCH1H221J	CHIP C 220PF J	
C214			CK73GB1H103K	CHIP C 0.010UF K	
C262			CK73GB1H103K	CHIP C 0.010UF K	
C295			CK73GB1H102K	CHIP C 1000PF K	
C297			CK73GB1H103K	CHIP C 0.010UF K	
C302			CK73GB1H103K	CHIP C 0.010UF K	
C304,305			CK73GB1H103K	CHIP C 0.010UF K	
C307			CK73GB1H103K	CHIP C 0.010UF K	
C309			CK73GB1H103K	CHIP C 0.010UF K	
C351			CK73GB1A474K	CHIP C 0.47UF K	
C352			CK73GB1C473K	CHIP C 0.047UF K	
C401-404			CD04AS1V100M	ELECTRO 10UF 35WV	
C420			CC73GCH1H120J	CHIP C 12PF J	
C421			CD04AS1V100M	ELECTRO 10UF 35WV	
C422			CC73GCH1H120J	CHIP C 12PF J	
C423			CK73GB1H103K	CHIP C 0.010UF K	
C424			CD04AS1V100M	ELECTRO 10UF 35WV	
C425-427			CK73GB1H103K	CHIP C 0.010UF K	
C428			CD04AS1V100M	ELECTRO 10UF 35WV	
C429			CK73GB1C104K	CHIP C 0.10UF K	
C430			CD04AS1H2R2M	ELECTRO 2.2UF 50WV	
C431-436			CK73GB1H222K	CHIP C 2200PF K	
C443-448			CK73GB1A105K	CHIP C 1.0UF K	
C451-454			CK73GB1A105K	CHIP C 1.0UF K	
C455			CK73GB1H103K	CHIP C 0.010UF K	
C456			CD04AS1H2R2M	ELECTRO 2.2UF 50WV	
C457,458			CC73GCH1H100D	CHIP C 10PF D	

E1 : KDV-5244U E2 : KDV-5544U (Europe)
K : KDV-415U (North America) R1 : KDV-MP5042U (Latin America)
X1 : KDV-MP5443U (Australia) M1 : KDV-MP5343U (Other Areas)

△ Indicates safety critical components.

PARTS LIST

ELECTRIC UNIT (X34-637x-xx)

Ref. No.	A d d	N e w	Parts No.	Description	Desti- nation	Ref. No.	A d d	N e w	Parts No.	Description	Desti- nation
C459,460			CK73GB1C104K	CHIP C 0.10UF K		L1			L33-2436-05	CHOKE COIL ASSY	M1X1
C461			CC73GCH1H470J	CHIP C 47PF J		L80			L33-2363-05	CHOKE COIL	
C463-466			CK73GB1A105K	CHIP C 1.0UF K		L151			L92-0076-05	CHIP FERRITE	
C467			CK73GB1A474K	CHIP C 0.47UF K		L302,303			L41-4795-33	SMALL FIXED INDUCTOR (4.7U)	
C468			CK73GB1A105K	CHIP C 1.0UF K		L352			L92-0616-05	CHIP FERRITE	
C469			CK73GB1A474K	CHIP C 0.47UF K		L601			L41-4795-33	SMALL FIXED INDUCTOR (4.7U)	E1E2
C470			CD04AS1C470M	ELECTRO 47UF 16WV		L620			L41-4795-33	SMALL FIXED INDUCTOR (4.7U)	
C471			CD04AS0J470M	ELECTRO 47UF 6.3WV		L671			L41-4795-33	SMALL FIXED INDUCTOR (4.7U)	
C478			CD04BK1A221M	ELECTRO 220UF 10WV		X201			L77-2921-15	CRYSTAL RESONATOR(32.768KHZ, 1	
C501			CK73GB1A105K	CHIP C 1.0UF K		X202			L78-0872-05	RESONATOR (12MHZ)	
C502			CD04AS1C330M	ELECTRO 33UF 16WV		X420			L77-3810-05	CRYSTAL RESONATOR (11.2896MHZ)	E1E2
C503-506			CK73GB1A224K	CHIP C 0.22UF K		X551			L77-2002-05	CRYSTAL RESONATOR	
C507,508			CK73GB1A105K	CHIP C 1.0UF K		H	2D		N83-3005-48	PAN HEAD TAPTITE SCREW	
C510,511			C93-0059-05	CERAMIC 1UF K	E1E2	J	2D		N83-3016-48	PAN HEAD TAPTITE SCREW	
C519			CK73GB1H103K	CHIP C 0.010UF K	E1E2	K	2D		N80-3008-48	PAN HEAD TAPTITE SCREW	
C520			CD04AS0J470M	ELECTRO 47UF 6.3WV		L	2D		N83-3008-48	PAN HEAD TAPTITE SCREW	E1E2
C521,522			CK73GB1C104K	CHIP C 0.10UF K		M	3D		N86-2604-43	BINDING HEAD TAPTITE SCREW	
C525			CK73GB1H103K	CHIP C 0.010UF K	E1E2	CP201			RK74HB1J101J	CHIP-COM 100 J 1/16W	
C526,527			CC73GCH1H470J	CHIP C 47PF J		R10			RK73FB2B153J	CHIP R 15K J 1/8W	
C541-548			CC73GCH1H470J	CHIP C 47PF J		R15			RK73GB2A223J	CHIP R 22K J 1/10W	
C551			CD04AS1V100M	ELECTRO 10UF 35WV	E1E2	R16			RK73GB2A472J	CHIP R 4.7K J 1/10W	E1E2
C552			CC73GCH1H271J	CHIP C 270PF J	E1E2	R20			RK73FB2B221J	CHIP R 220 J 1/8W	
C555,556			CC73GCH1H180J	CHIP C 18PF J	E1E2	R21			RK73GH2A243D	CHIP R 24K D 1/10W	
C557			CK73GB1H103K	CHIP C 0.010UF K	E1E2	R22			RK73GH2A432D	CHIP R 4.3K D 1/10W	
C601,602			CD04AS1V100M	ELECTRO 10UF 35WV	E1E2	R25			RK73FB2B432J	CHIP R 4.3K J 1/8W	
C603			CD04AS1C470M	ELECTRO 47UF 16WV		R26			RK73GB2A104J	CHIP R 100K J 1/10W	E1E2
C604			CK73GB1C104K	CHIP C 0.10UF K		R30			RK73FB2B271J	CHIP R 270 J 1/8W	
C605			CD04AS1V100M	ELECTRO 10UF 35WV		R31			RK73GB2A473J	CHIP R 47K J 1/10W	
C620,621			CK73GB1A105K	CHIP C 1.0UF K		R40			RK73FB2B102J	CHIP R 1.0K J 1/8W	
C622			CK73GB1C104K	CHIP C 0.10UF K		R41			RK73GB2A473J	CHIP R 47K J 1/10W	
C623			CD04AS1C470M	ELECTRO 47UF 16WV		R50			RK73FB2B911J	CHIP R 910 J 1/8W	E1E2
C630			CC73GCH1H101J	CHIP C 100PF J		R80			RK73GH2A134D	CHIP R 130K D 1/10W	
C631			CK73GB1A105K	CHIP C 1.0UF K		R81			RK73GB2A563J	CHIP R 56K J 1/10W	
C632			CK73GB1H223K	CHIP C 0.022UF K		R82			RK73GH2A103D	CHIP R 10K D 1/10W	
C633			CD04AS0J470M	ELECTRO 47UF 6.3WV		R83			RK73GH2A393D	CHIP R 39K D 1/10W	
C634,635			CD04AS1HR47M	ELECTRO 0.47UF 50WV		R84			RK73GH2A242D	CHIP R 2.4K D 1/10W	KR1M1
C636			CK73GB1H222K	CHIP C 2200PF J		R100,101			RK73PB2H221J	CHIP R 220 J 1/2W	
C637			CC73GCH1H101J	CHIP C 100PF J		R100,101			RK73PB2H221J	CHIP R 220 J 1/2W	
C651,652			CK73GB1C104K	CHIP C 0.10UF K		R102			RK73GB2A223J	CHIP R 22K J 1/10W	
C671			CK73GB1A105K	CHIP C 1.0UF K		R102			RK73GB2A223J	CHIP R 22K J 1/10W	
C674			CD04AS1V100M	ELECTRO 10UF 35WV		R103			RK73EB2E472J	CHIP R 4.7K J 1/4W	E1E2
C675			CK73GB1A105K	CHIP C 1.0UF K		R104			RK73FB2B472J	CHIP R 4.7K J 1/8W	
C676			CD04AS1V100M	ELECTRO 10UF 35WV		R105			RK73GB2A223J	CHIP R 22K J 1/10W	
C677,678			CK73GB1C104K	CHIP C 0.10UF K		R106-109			RK73PB2H561J	CHIP R 560 J 1/2W	
C679			CD04AS1C470M	ELECTRO 47UF 16WV		R110			RK73GB2A000J	CHIP R 0.0 J 1/10W	
CN1			E41-2114-15	FLAT CABLE CONNECTOR		R111			RK73EB2E103J	CHIP R 10K J 1/4W	E1E2
CN140			E41-1699-05	PIN ASSY		R112			RK73GB2A473J	CHIP R 47K J 1/10W	
CN190			E41-1700-05	PIN ASSY		R113			RK73GB2A104J	CHIP R 100K J 1/10W	
J1			E58-0991-05	RECTANGULAR RECEPTACLE		R122,123			RK73GB2A103J	CHIP R 10K J 1/10W	
J150			E11-0625-05	PHONE JACK (LGY6502-0900)		R124			RK73GB2A223J	CHIP R 22K J 1/10W	
J351			E58-1095-05	RECTANGULAR RECEPTACLE		R125			RK73GB2A104J	CHIP R 100K J 1/10W	E1E2
J401			E63-0961-05	PIN JACK		R126			RK73EB2E102J	CHIP R 1.0K J 1/4W	
J520			E56-0855-05	CYLINDRICAL RECEPTACLE		R127			RK73EB2E333J	CHIP R 33K J 1/4W	
W301			E30-6438-05	CORD WITH PLUG (FM/AM ANT)		R128			RK73GB2A103J	CHIP R 10K J 1/10W	

E1 : KDV-5244U E2 : KDV-5544U (Europe)
K : KDV-415U (North America) R1 : KDV-MP5042U (Latin America)
X1 : KDV-MP5443U (Australia) M1 : KDV-MP5343U (Other Areas)

△ Indicates safety critical components.

PARTS LIST

ELECTRIC UNIT (X34-637x-xx)

Ref. No.	Add	New	Parts No.	Description	Destination	Ref. No.	Add	New	Parts No.	Description	Destination
R129,130			RK73EB2E102J	CHIP R 1.0K J 1/4W		R283			RK73GB2A472J	CHIP R 4.7K J 1/10W	
R131			RK73FB2B683J	CHIP R 68K J 1/8W		R293			RK73GB2A222J	CHIP R 2.2K J 1/10W	E1E2
R132			RK73GB2A473J	CHIP R 47K J 1/10W		R296			RK73GB2A222J	CHIP R 2.2K J 1/10W	
R133			RK73FB2B203J	CHIP R 20K J 1/8W		R298			RK73GB2A104J	CHIP R 100K J 1/10W	
R134			RK73GB2A104J	CHIP R 100K J 1/10W		R299,300			RK73GB2A473J	CHIP R 47K J 1/10W	
R140			RK73FB2B182J	CHIP R 1.8K J 1/8W		R301			RK73GB2A471J	CHIP R 470 J 1/10W	
R141			RK73GB2A104J	CHIP R 100K J 1/10W		R302			RK73GB2A472J	CHIP R 4.7K J 1/10W	
R142			RK73PB2H1R0J	CHIP R 1.0 J 1/2W		R303			RK73GB2A471J	CHIP R 470 J 1/10W	
R150,151			RK73GB2A101J	CHIP R 100 J 1/10W		R304			RK73GB2A472J	CHIP R 4.7K J 1/10W	
R152			RK73GB2A331J	CHIP R 330 J 1/10W		R305			RK73FB2B821J	CHIP R 820 J 1/8W	
R153			RK73GB2A221J	CHIP R 220 J 1/10W		R306			RK73GB2A223J	CHIP R 22K J 1/10W	
R154			RK73GB2A750J	CHIP R 75 J 1/10W		R340-344			RK73PB2H100J	CHIP R 10 J 1/2W	
R156			RK73GB2A000J	CHIP R 0.0 J 1/10W	M1X1	R345			RK73PB2H120J	CHIP R 12 J 1/2W	
R156,157			RK73GB2A000J	CHIP R 0.0 J 1/10W	KR1E1	R353			RK73GB2A471J	CHIP R 470 J 1/10W	
R156,157			RK73GB2A000J	CHIP R 0.0 J 1/10W	E2	R355-359			RK73GB2A222J	CHIP R 2.2K J 1/10W	
R170			RK73GB2A473J	CHIP R 47K J 1/10W		R364,365			RK73FB2B101J	CHIP R 100 J 1/8W	
R180			RK73GB2A100J	CHIP R 10 J 1/10W		R366,367			RK73FB2B102J	CHIP R 1.0K J 1/8W	
R181			RK73GB2A101J	CHIP R 100 J 1/10W		R373			RK73FB2B102J	CHIP R 1.0K J 1/8W	
R182			RK73GB2A750J	CHIP R 75 J 1/10W		R401,402			RK73GB2A331J	CHIP R 330 J 1/10W	
R184			RK73GB2A102J	CHIP R 1.0K J 1/10W		R403,404			RK73GB2A223J	CHIP R 22K J 1/10W	
R190			RK73EB2E103J	CHIP R 10K J 1/4W		R405,406			RK73GB2A331J	CHIP R 330 J 1/10W	
R201			RK73GB2A101J	CHIP R 100 J 1/10W		R407,408			RK73GB2A223J	CHIP R 22K J 1/10W	
R202			RK73GB2A104J	CHIP R 100K J 1/10W		R413,414			RK73FB2B181J	CHIP R 180 J 1/8W	
R203			RK73GB2A225J	CHIP R 2.2M J 1/10W		R417,418			RK73FB2B181J	CHIP R 180 J 1/8W	
R207			RK73GB2A103J	CHIP R 10K J 1/10W		R421			RK73GB2A102J	CHIP R 1.0K J 1/10W	
R208			RK73GB2A104J	CHIP R 100K J 1/10W		R423-428			RK73GB2A471J	CHIP R 470 J 1/10W	
R209			RK73GB2A103J	CHIP R 10K J 1/10W		R437,438			RK73GB2A332J	CHIP R 3.3K J 1/10W	
R211			RK73GB2A102J	CHIP R 1.0K J 1/10W		R439,440			RK73GB2A182J	CHIP R 1.8K J 1/10W	
R212			RK73GB2A473J	CHIP R 47K J 1/10W		R451			RK73GB2A000J	CHIP R 0.0 J 1/10W	
R215			RK73GB2A473J	CHIP R 47K J 1/10W		R452			RK73GB2A103J	CHIP R 10K J 1/10W	
R218			RK73GB2A104J	CHIP R 100K J 1/10W		R453,454			RK73GB2A220J	CHIP R 22 J 1/10W	
R221			RK73GB2A102J	CHIP R 1.0K J 1/10W		R461			RK73EB2E2R2J	CHIP R 2.2 J 1/4W	
R222			RK73GB2A101J	CHIP R 100 J 1/10W		R462			RK73GB2A683J	CHIP R 68K J 1/10W	
R223			RK73GB2A223J	CHIP R 22K J 1/10W	E1E2	R463			RK73GB2A223J	CHIP R 22K J 1/10W	
R229,230			RK73GB2A473J	CHIP R 47K J 1/10W		R464			RK73GB2A103J	CHIP R 10K J 1/10W	
R234,235			RK73GB2A103J	CHIP R 10K J 1/10W		R465			RK73GB2A682J	CHIP R 6.8K J 1/10W	
R237			RK73GB2A101J	CHIP R 100 J 1/10W		R466			RK73GB2A100J	CHIP R 10 J 1/10W	
R239,240			RK73GB2A473J	CHIP R 47K J 1/10W		R475			RK73GB2A473J	CHIP R 47K J 1/10W	
R242,243			RK73GB2A472J	CHIP R 4.7K J 1/10W		R476			RK73GB2A104J	CHIP R 100K J 1/10W	
R251,252			RK73GB2A392J	CHIP R 3.9K J 1/10W		R487,488			RK73GB2A000J	CHIP R 0.0 J 1/10W	
R257			RK73GB2A472J	CHIP R 4.7K J 1/10W		R501			RK73GB2A102J	CHIP R 1.0K J 1/10W	
R261			RK73GB2A101J	CHIP R 100 J 1/10W		R503			RK73GB2A912J	CHIP R 9.1K J 1/10W	
R262			RK73GB2A223J	CHIP R 22K J 1/10W	R1E1E2	R504			RK73GB2A223J	CHIP R 22K J 1/10W	
R262			RK73GB2A223J	CHIP R 22K J 1/10W	M1X1	R505			RK73GB2A331J	CHIP R 330 J 1/10W	
R263			RK73GB2A473J	CHIP R 47K J 1/10W	X1	R506			RK73GB2A333J	CHIP R 33K J 1/10W	
R263,264			RK73GB2A223J	CHIP R 22K J 1/10W	K	R507			RK73GB2A473J	CHIP R 47K J 1/10W	
R264			RK73GB2A223J	CHIP R 22K J 1/10W	R1E2	R508			RK73GB2A102J	CHIP R 1.0K J 1/10W	
R264,265			RK73GB2A223J	CHIP R 22K J 1/10W	E1	R509			RK73GB2A473J	CHIP R 47K J 1/10W	
R265			RK73GB2A223J	CHIP R 22K J 1/10W	M1X1	R511			RK73GB2A000J	CHIP R 0.0 J 1/10W	
R265,266			RK73GB2A473J	CHIP R 47K J 1/10W	E2	R520-523			RK73EB2E432J	CHIP R 4.3K J 1/4W	
R266			RK73GB2A473J	CHIP R 47K J 1/10W	KR1E1	R524			RK73EB2E101J	CHIP R 100 J 1/4W	
R266			RK73GB2A473J	CHIP R 47K J 1/10W	M1X1	R525,526			RK73EB2E102J	CHIP R 1.0K J 1/4W	
R272			RK73GB2A101J	CHIP R 100 J 1/10W		R527			RK73EB2E101J	CHIP R 100 J 1/4W	
R278			RK73GB2A102J	CHIP R 1.0K J 1/10W		R528			RK73EB2E470J	CHIP R 47 J 1/4W	
R281			RK73GB2A472J	CHIP R 4.7K J 1/10W		R529,530			RK73EB2E101J	CHIP R 100 J 1/4W	

E1 : KDV-5244U E2 : KDV-5544U (Europe)
K : KDV-415U (North America) R1 : KDV-MP5042U (Latin America)
X1 : KDV-MP5443U (Australia) M1 : KDV-MP5343U (Other Areas)

△ Indicates safety critical components.

PARTS LIST

ELECTRIC UNIT (X34-637x-xx)

Ref. No.	A d d	N e w	Parts No.	Description	Desti- nation	Ref. No.	A d d	N e w	Parts No.	Description	Desti- nation
R552			RK73GB2A102J	CHIP R 1.0K J 1/10W	E1E2	D461-463			UDZW6.8(B)	ZENER DIODE	
R553-555			RK73GB2A222J	CHIP R 2.2K J 1/10W	E1E2	D501			DAP202U	DIODE	
R601,602			RK73GB2A750J	CHIP R 75 J 1/10W		D521-523			UDZW6.8(B)	ZENER DIODE	
R603,604			RK73GB2A103J	CHIP R 10K J 1/10W		D527,528			UDZW6.2(B)	ZENER DIODE	
R605,606			RK73GB2A101J	CHIP R 100 J 1/10W		IC10			BR24L04FV-W	ROM IC	
R607,608			RK73GB2A222J	CHIP R 2.2K J 1/10W		IC20			M5237ML-CF0J	ANALOGUE IC	
R611-614			RK73GB2A473J	CHIP R 47K J 1/10W		IC60	*		SI-3033KMSA	ANALOGUE IC	
R615-617			RK73GB2A222J	CHIP R 2.2K J 1/10W		IC80			BD9781HFP	ANALOGUE IC	
R618			RK73GB2A100J	CHIP R 10 J 1/10W		IC120			74HC2G02DP	MOS-IC	
R620			RK73GH2A181D	CHIP R 180 D 1/10W		IC150			TC7SET08FU-F	MOS-IC	
R621			RK73GH2A182D	CHIP R 1.8K D 1/10W		IC160			R1114N331B-TR	ANALOGUE IC (3.3V LF)	
R624			RK73GB2A101J	CHIP R 100 J 1/10W		IC170			74AHCT08PW	MOS-IC	
R626			RK73GB2A100J	CHIP R 10 J 1/10W		IC171			74LVC08APW	MOS-IC	
R629			RK73GB2A473J	CHIP R 47K J 1/10W		IC180			MM1671XNRE	ANALOGUE IC	
R630			RK73GB2A474J	CHIP R 470K J 1/10W		IC200	*		30626MHPC03GP	MICROCONTROLLER IC	KR1M1
R631			RK73GB2A103J	CHIP R 10K J 1/10W		IC200	*		30626MHPC03GP	MICROCONTROLLER IC	X1
R632			RK73GB2A474J	CHIP R 470K J 1/10W		IC200	*		30626MHPC04GP	MICROCONTROLLER IC	E1E2
R633			RK73GB2A134J	CHIP R 130K J 1/10W		IC201			XC6120N362N1	MOS-IC	
R634			RK73GB2A103J	CHIP R 10K J 1/10W		IC420			AK7600VF	MOS-IC	
R635			RK73GB2A100J	CHIP R 10 J 1/10W		IC451			E-TDA7716	ANALOGUE IC	
R659			RK73GB2A101J	CHIP R 100 J 1/10W		IC475			BD6538G	MOS-IC	
R668,669			RK73GB2A000J	CHIP R 0.0 J 1/10W		IC500			E-TDA7851A	ANALOGUE IC	
R673			RK73GB2A101J	CHIP R 100 J 1/10W		IC551			E-TDA7478AD	ANALOGUE IC	E1E2
R679,680			RK73GB2A104J	CHIP R 100K J 1/10W		IC601			TC4066BFT(N)	MOS-IC	
R684			RK73GB2A683J	CHIP R 68K J 1/10W		IC620			MM1503-E	ANALOGUE IC	
R685			RK73GB2A104J	CHIP R 100K J 1/10W		IC630			BA7046F	ANALOGUE IC	
R688			RK73GB2A100J	CHIP R 10 J 1/10W		IC671,672			NJM2505AF-ZB	ANALOGUE IC	
D1			S2V60-5009F46	DIODE		Q10			2SB1565	TRANSISTOR	
D10			UDZW5.6(B)	ZENER DIODE		Q11			2SC4081	TRANSISTOR	
D11			D1FJ4	DIODE		Q15			2SA1576A	TRANSISTOR	
D20			UDZW5.6(B)	ZENER DIODE		Q16			DTC124EUA	DIGITAL TRANSISTOR	
D30			UDZW20(B)	ZENER DIODE		Q20			DTC124EUA	DIGITAL TRANSISTOR	
D40			UDZW12(B)	ZENER DIODE		Q21			DTA124EUA	DIGITAL TRANSISTOR	
D50			UDZW8.2(B)	ZENER DIODE		Q22			2SB1565	TRANSISTOR	
D60 -62		*	RB160M-30	DIODE		Q25			2SB1184(Q,R)	TRANSISTOR	
D70 ,71		*	RB160M-30	DIODE		Q26			2SC4081	TRANSISTOR	
D80			RB095B-60	DIODE		Q27			DTC124EUA	DIGITAL TRANSISTOR	
D100-103			D1F60-5063	DIODE		Q28			DTA124EUA	DIGITAL TRANSISTOR	
D104			DAP202U	DIODE		Q30			2SB1565	TRANSISTOR	
D111			UDZW4.7(B)	ZENER DIODE		Q31			2SC4081	TRANSISTOR	
D115			DAP202U	DIODE		Q32			DTA124EUA	DIGITAL TRANSISTOR	
D121,122			UDZW6.8(B)	ZENER DIODE		Q33			DTC124EUA	DIGITAL TRANSISTOR	
D123			UDZW6.2(B)	ZENER DIODE		Q40			2SB1565	TRANSISTOR	
D140			UDZW12(B)	ZENER DIODE		Q41			2SC4081	TRANSISTOR	
D141			D1F60-5063	DIODE		Q42			DTC124EUA	DIGITAL TRANSISTOR	
D190			UDZW16(B)	ZENER DIODE		Q43			DTA124EUA	DIGITAL TRANSISTOR	
D191			DAN202U	DIODE		Q50			2SB1565	TRANSISTOR	
D340			UDZW6.8(B)	ZENER DIODE		Q51			2SC4081	TRANSISTOR	
D352,353			LVS10C270S030	VARISTOR		Q100			DTC114YUA	DIGITAL TRANSISTOR	KR1M1
D354-363			UDZW6.8(B)	ZENER DIODE		Q100			DTC114YUA	DIGITAL TRANSISTOR	X1
D451-453			DAP202U	DIODE		Q101,102			2SB1188(Q,R)	TRANSISTOR	KR1M1
D457,458			DAP202U	DIODE		Q101,102			2SB1188(Q,R)	TRANSISTOR	X1
D459			DA204U	DIODE		Q102			2SB1188(Q,R)	TRANSISTOR	E1E2
D460			1SS355	DIODE		Q103			2SA1576A	TRANSISTOR	
						Q104			DTA114EUA	DIGITAL TRANSISTOR	

E1 : KDV-5244U **E2** : KDV-5544U (Europe)
K : KDV-415U (North America) **R1** : KDV-MP5042U (Latin America)
X1 : KDV-MP5443U (Australia) **M1** : KDV-MP5343U (Other Areas)

△Indicates safety critical components.

PARTS LIST

ELECTRIC UNIT (X34-637x-xx)

Ref. No.	Add	New	Parts No.	Description	Destination
Q105			DTC114YUA	DIGITAL TRANSISTOR	
Q115			DTA124EUA	DIGITAL TRANSISTOR	
Q120			2SC4081	TRANSISTOR	
Q122,123			2SC4081	TRANSISTOR	
Q140			DTC124EUA	DIGITAL TRANSISTOR	
Q141			DTA124EUA	DIGITAL TRANSISTOR	
Q142			2SB1184(Q,R)	TRANSISTOR	
Q143			2SC4081	TRANSISTOR	
Q190			DTA114YUA	DIGITAL TRANSISTOR	
Q301			2SA1577	TRANSISTOR	
Q302			DTC124EUA	DIGITAL TRANSISTOR	
Q351			DTA114YUA	DIGITAL TRANSISTOR	
Q401-404			DTC143TUA	DIGITAL TRANSISTOR	
Q451			2SC4081	TRANSISTOR	
Q601,602			2SC4081	TRANSISTOR	
Q603,604			2SA1576A	TRANSISTOR	
Q605-607			DTC114EUA	DIGITAL TRANSISTOR	
TH500			PRF18BE471QS2	POSITIVE RESISTOR	
A1			X86-4032-70	FRONT-END UNIT	E1E2
A1			X86-4230-11	FRONT-END UNIT	KR1M1
A1			X86-4230-11	FRONT-END UNIT	X1
DVD UNIT					
C2 -9			CK73GB1C104K	CHIP C 0.10UF K	
C11 -20			CK73GB1C104K	CHIP C 0.10UF K	
C21 -23			C92-2007-08	ELECTRO 47UF 10WV	
C24 -26			CK73GB1C104K	CHIP C 0.10UF K	
C31			CC73GCH1H681J	CHIP C 680PF J	
C32			CC73GCH1H561J	CHIP C 560PF J	
C48			CK73GB1C104K	CHIP C 0.10UF K	
C50			CK73GB1C104K	CHIP C 0.10UF K	
C51 ,52			CC73GCH1H040C	CHIP C 4.0PF C	
C60			CK73GB1H103K	CHIP C 0.010UF K	
C63			C92-2006-08	ELECTRO 47UF 6.3WV	
C65 ,66			CK73GB1C104K	CHIP C 0.10UF K	
C67			CK73GB1H103K	CHIP C 0.010UF K	
C68			CK73GB1C104K	CHIP C 0.10UF K	
C69			CK73FB1C105K	CHIP C 1.0UF K	
C70 ,71			CK73GB1C104K	CHIP C 0.10UF K	
C72			CK73GB1A105K	CHIP C 1.0UF K	
C73 -79			CK73GB1C104K	CHIP C 0.10UF K	
C80			CK73FB1C105K	CHIP C 1.0UF K	
C81			CC73GCH1H120J	CHIP C 12PF J	
C82			CC73GCH1H150J	CHIP C 15PF J	
C83			CK73GB1C104K	CHIP C 0.10UF K	
C84			CK73GB1C333K	CHIP C 0.033UF K	
C85 -88			CK73GB1C104K	CHIP C 0.10UF K	
C89			C93-1511-08	CHIP C 0.018UF K	
C90			CK73GB1H562K	CHIP C 5600PF K	
C91			CK73GB1C104K	CHIP C 0.10UF K	
C92 ,93			CK73FB1C105K	CHIP C 1.0UF K	
C99			CK73GB1C104K	CHIP C 0.10UF K	
C100			C93-1518-08	CHIP C 0.68UF K	
C101			CK73GB1C104K	CHIP C 0.10UF K	
C102			C93-1518-08	CHIP C 0.68UF K	

Ref. No.	Add	New	Parts No.	Description	Destination
C109			CK73FB1C105K	CHIP C 1.0UF K	
C113			CK73FB1C105K	CHIP C 1.0UF K	
C117			CK73FB1C105K	CHIP C 1.0UF K	
C118			CK73GB1H103K	CHIP C 0.010UF K	
C121,122			CK73GB1C104K	CHIP C 0.10UF K	
C126-136			CK73GB1C104K	CHIP C 0.10UF K	
C137			C92-2005-08	ELECTRO 22UF 6.3WV	
C139			C92-2005-08	ELECTRO 22UF 6.3WV	
C142			CK73GB1C104K	CHIP C 0.10UF K	
C143			C92-2007-08	ELECTRO 47UF 10WV	
C145			C92-2007-08	ELECTRO 47UF 10WV	
C148			CC73GCH1H331J	CHIP C 330PF J	
C149			CK73GB1C104K	CHIP C 0.10UF K	
C151			CK73GB1C473K	CHIP C 0.047UF K	
C155			CC73GCH1H101J	CHIP C 100PF J	
C156			CK73GB1C104K	CHIP C 0.10UF K	
C161,162			CK73GB1C104K	CHIP C 0.10UF K	
C164			CK73FB1C105K	CHIP C 1.0UF K	
C165			CK73GB1C104K	CHIP C 0.10UF K	
C167			C93-1517-08	CHIP C 2700PF J	
C170			CK73GB1C104K	CHIP C 0.10UF K	
C173,174			CK73GB1C104K	CHIP C 0.10UF K	
C175			C92-2016-08	ELECTRO 100UF 16WV	
C176-178			CK73GB1C104K	CHIP C 0.10UF K	
C197			CK73GB1C104K	CHIP C 0.10UF K	
C199			CK73GB1C104K	CHIP C 0.10UF K	
C200			C92-2006-08	ELECTRO 47UF 6.3WV	
C201			CK73GB1C104K	CHIP C 0.10UF K	
C205			CK73FB1A225K	CHIP C 2.2UF K	
C206			C93-1516-08	CHIP C 2200PF J	
C211			CK73GB1C104K	CHIP C 0.10UF K	
C215			CC73GCH1H181J	CHIP C 180PF J	
C216			CK73GB1C104K	CHIP C 0.10UF K	
C218			CK73GB1C104K	CHIP C 0.10UF K	
C219			CK73GB1H223K	CHIP C 0.022UF K	
C220			CK73GB1H102K	CHIP C 1000PF K	
C222			CK73GB1C104K	CHIP C 0.10UF K	
C223			CK73GB1H102K	CHIP C 1000PF K	
C224			CK73FB1A225K	CHIP C 2.2UF K	
C225			C92-2016-08	ELECTRO 100UF 16WV	
C228			CK73GB1H102K	CHIP C 1000PF K	
C229			CK73GB1H223K	CHIP C 0.022UF K	
C232			C92-2016-08	ELECTRO 100UF 16WV	
C233			CK73FB1C105K	CHIP C 1.0UF K	
C235			CK73GB1H102K	CHIP C 1000PF K	
C237			CC73GCH1H221J	CHIP C 220PF J	
C238			CK73GB1C104K	CHIP C 0.10UF K	
C240,241			CK73GB1C104K	CHIP C 0.10UF K	
CN1			E41-3117-08	CONNECTOR	
CN2	*		E41-3135-08	W TO B CONNE	
CN101			E41-3115-08	FPC CONNE	
CN403	*		E41-3136-08	FFC/FPC CONNE	
K101,102			L92-0657-08	FERRITE BEADS	
K103,104			L92-0659-08	FERRITE BEADS	

E1 : KDV-5244U E2 : KDV-5544U (Europe)
K : KDV-415U (North America) R1 : KDV-MP5042U (Latin America)
X1 : KDV-MP5443U (Australia) M1 : KDV-MP5343U (Other Areas)

△ Indicates safety critical components.

PARTS LIST

DVD UNIT

Ref. No.	Ad	New	Parts No.	Description	Destination
K108			L92-0658-08	FERRITE BEADS	
K110,111			L92-0658-08	FERRITE BEADS	
K113			L92-0659-08	FERRITE BEADS	
K121			L33-2500-08	CHIP INDUCTOR	
K131-133			L33-2508-08	FERRITE BEADS	
K135,136			L33-2508-08	FERRITE BEADS	
K181			L92-0658-08	FERRITE BEADS	
L302,303			L33-2549-08	INDUCTOR	
X351			L77-3808-08	CRYSTAL	
X354			L77-3816-08	CRYSTAL	
K105-107			RK73GB2A000J	CHIP R 0.0 J 1/10W	
K114,115			RK73GB2A000J	CHIP R 0.0 J 1/10W	
K117-120			RK73GB2A000J	CHIP R 0.0 J 1/10W	
K134			RK73GB2A000J	CHIP R 0.0 J 1/10W	
K137			RK73GB2A000J	CHIP R 0.0 J 1/10W	
K141,142			RK73GB2A000J	CHIP R 0.0 J 1/10W	
R21 ,22			RK73GB2A000J	CHIP R 0.0 J 1/10W	
R25			RK73GB2A000J	CHIP R 0.0 J 1/10W	
R31			RK73GB2A000J	CHIP R 0.0 J 1/10W	
R36 ,37			RK73HH1J153D	CHIP R 15K D 1/16W	
R46 ,47			RK73HH1J103D	CHIP R 10K D 1/16W	
R49			RK73GB2A000J	CHIP R 0.0 J 1/10W	
R51			RK73GB2A000J	CHIP R 0.0 J 1/10W	
R52 ,53			RK73HH1J103D	CHIP R 10K D 1/16W	
R54 ,55			R92-5252-08	CHIP R 22 D 1/16W	
R56			RK73GH2A432D	CHIP R 4.3K D 1/10W	
R57			RK73GH2A242D	CHIP R 2.4K D 1/10W	
R58			R92-5246-08	CHIP R 39 J 1/2W	
R59			RK73GB2A2R2J	CHIP R 2.2 J 1/10W	
R60			RK73HH1J102D	CHIP R 1.0K D 1/16W	
R61 ,62			RK73HH1J471D	CHIP R 470 D 1/16W	
R64			RK73GH2A432D	CHIP R 4.3K D 1/10W	
R65			RK73GH2A242D	CHIP R 2.4K D 1/10W	
R66			R92-5240-08	CHIP R 12 J 1/2W	
R67			RK73GB2A2R2J	CHIP R 2.2 J 1/10W	
R68			RK73HH1J102D	CHIP R 1.0K D 1/16W	
R69			RK73GB2A471J	CHIP R 470 J 1/10W	
R70			RK73HH1J331D	CHIP R 330 D 1/16W	
R77			RK73FB2B000J	CHIP R 0.0 J 1/8W	
R79			RK73HH1J104D	CHIP R 100K D 1/16W	
R83			RK73HH1J103D	CHIP R 10K D 1/16W	
R87			RK73GB2A103J	CHIP R 10K J 1/10W	
R89			RK73GB2A103J	CHIP R 10K J 1/10W	
R90			RK73HH1J103D	CHIP R 10K D 1/16W	
R92			RK73GB2A473J	CHIP R 47K J 1/10W	
R93			RK73HH1J203D	CHIP R 20K D 1/16W	
R94			RK73HH1J223D	CHIP R 22K D 1/16W	
R99			RK73GB2A000J	CHIP R 0.0 J 1/10W	
R100			RK73HH1J103D	CHIP R 10K D 1/16W	
R101			RK73GB2A000J	CHIP R 0.0 J 1/10W	
R105			RK73GB2A000J	CHIP R 0.0 J 1/10W	
R106			RK73GB2A103J	CHIP R 10K J 1/10W	
R107			RK73GB2A152J	CHIP R 1.5K J 1/10W	
R109			RK73GB2A000J	CHIP R 0.0 J 1/10W	
R112,113			RK73GB2A000J	CHIP R 0.0 J 1/10W	

Ref. No.	Ad	New	Parts No.	Description	Destination
R114			RK73GB2A103J	CHIP R 10K J 1/10W	
R117			RK73HH1J103D	CHIP R 10K D 1/16W	
R118			RK73HH1J101D	CHIP R 100 D 1/16W	
R119			RK73GH2A471D	CHIP R 470 D 1/10W	
R120			RK73GB2A152J	CHIP R 1.5K J 1/10W	
R125			RK73GB2A120J	CHIP R 12 J 1/10W	
R126			RK73GB2A102J	CHIP R 1.0K J 1/10W	
R128			RK73HH1J270D	CHIP R 27 D 1/16W	
R129			RK73HH1J103D	CHIP R 10K D 1/16W	
R131,132			RK73HH1J102D	CHIP R 1.0K D 1/16W	
R133			RK73HH1J223D	CHIP R 22K D 1/16W	
R134			RK73HH1J104D	CHIP R 100K D 1/16W	
R136-138			RK73GB2A000J	CHIP R 0.0 J 1/10W	
R141			RK73GH2A332D	CHIP R 3.3K D 1/10W	
R142			RK73GB2A000J	CHIP R 0.0 J 1/10W	
R143			RK73HH1J101D	CHIP R 100 D 1/16W	
R144,145			RK73HH1J103D	CHIP R 10K D 1/16W	
R152			RK73GB2A000J	CHIP R 0.0 J 1/10W	
R153			RK73GH2A162D	CHIP R 1.6K D 1/10W	
R155,156			RK73GB2A000J	CHIP R 0.0 J 1/10W	
R160			RK73GH2A303D	CHIP R 30K D 1/10W	
R163			RK73HH1J103D	CHIP R 10K D 1/16W	
R164			RK73GB2A181J	CHIP R 180 J 1/10W	
R165,166			RK73HH1J473D	CHIP R 47K D 1/16W	
R168			RK73HH1J473D	CHIP R 47K D 1/16W	
R170			RK73HH1J471D	CHIP R 470 D 1/16W	
R171			RK73GB2A105J	CHIP R 1.0M J 1/10W	
R172-174			RK73HH1J101D	CHIP R 100 D 1/16W	
R177,178			RK73GB2A000J	CHIP R 0.0 J 1/10W	
R183,184			RK73GB2A000J	CHIP R 0.0 J 1/10W	
R187			RK73GB2A000J	CHIP R 0.0 J 1/10W	
R189,190			RK73HH1J331D	CHIP R 330 D 1/16W	
R195			RK73HH1J102D	CHIP R 1.0K D 1/16W	
R211			RK73HH1J473D	CHIP R 47K D 1/16W	
R213			RK73GB2A100J	CHIP R 10 J 1/10W	
R214			RK73GB2A000J	CHIP R 0.0 J 1/10W	
R215,216			RK73GH2A122D	CHIP R 1.2K D 1/10W	
R217			RK73HH1J100D	CHIP R 10 D 1/16W	
R218			RK73GB2A000J	CHIP R 0.0 J 1/10W	
R220			RK73GB2A000J	CHIP R 0.0 J 1/10W	
R226			RK73HH1J473D	CHIP R 47K D 1/16W	
R227			RK73GB2A222J	CHIP R 2.2K J 1/10W	
R228			RK73GB2A103J	CHIP R 10K J 1/10W	
R229			RK73GB2A000J	CHIP R 0.0 J 1/10W	
R233			RK73HH1J103D	CHIP R 10K D 1/16W	
R264			RK73GB2A000J	CHIP R 0.0 J 1/10W	
R265			RK73HH1J103D	CHIP R 10K D 1/16W	
R267			RK73GH2A472D	CHIP R 4.7K D 1/10W	
R268			RK73GB2A000J	CHIP R 0.0 J 1/10W	
R305,306			R92-5249-08	CHIP R 33 F	
R309			R92-5242-08	CHIP R 0.47 J 1/2W	
R310			RK73HH1J333D	CHIP R 33K D 1/16W	
R311			RK73GB2A391J	CHIP R 390 J 1/10W	
R318			RK73GB2A203J	CHIP R 20K J 1/10W	
R319			RK73HH1J622D	CHIP R 6.2K D 1/16W	

E1 : KDV-5244U **E2** : KDV-5544U (Europe)
K : KDV-415U (North America) **R1** : KDV-MP5042U (Latin America)
X1 : KDV-MP5443U (Australia) **M1** : KDV-MP5343U (Other Areas)

△ Indicates safety critical components.

PARTS LIST

DVD UNIT

Ref. No.	Add	New	Parts No.	Description	Destination
R323			RK73HH1J391D	CHIP R 390 D 1/16W	
R324			RK73GH2A682D	CHIP R 6.8K D 1/10W	
R325			RK73GH2A753D	CHIP R 75K D 1/10W	
R329			R92-5242-08	CHIP R 0.47 J 1/2W	
R352			RK73HH1J102D	CHIP R 1.0K D 1/16W	
R357			R92-5247-08	CHIP R 0.22 J 1/2W	
R358			RK73GB2A000J	CHIP R 0.0 J 1/10W	
R359			R92-5251-08	CHIP R 22 D 1/16W	
R362			RK73GB2A103J	CHIP R 10K J 1/10W	
R364			RK73GB2A391J	CHIP R 390 J 1/10W	
R365			RK73HH1J103D	CHIP R 10K D 1/16W	
R366			R92-5247-08	CHIP R 0.22 J 1/2W	
R367			RK73HH1J104D	CHIP R 100K D 1/16W	
R369			R92-5247-08	CHIP R 0.22 J 1/2W	
R371			RK73GB2A000J	CHIP R 0.0 J 1/10W	
R375			RK73HH1J152D	CHIP R 1.5K D 1/16W	
R376			RK73HH1J822D	CHIP R 8.2K D 1/16W	
R379			RK73GH2A332D	CHIP R 3.3K D 1/10W	
R380			RK73GB2A223J	CHIP R 22K J 1/10W	
R382			RK73HH1J102D	CHIP R 1.0K D 1/16W	
R383			RK73GB2A223J	CHIP R 22K J 1/10W	
R384			RK73HH1J104D	CHIP R 100K D 1/16W	
R386			RK73HH1J184D	CHIP R 180K D 1/16W	
R387			RK73GH2A473D	CHIP R 47K D 1/10W	
R391			RK73HH1J822D	CHIP R 8.2K D 1/16W	
R392			RK73GB2A103J	CHIP R 10K J 1/10W	
R393			RK73HH1J103D	CHIP R 10K D 1/16W	
R394			RK73GB2A273J	CHIP R 27K J 1/10W	
R397			RK73HH1J101D	CHIP R 100 D 1/16W	
R400			RK73HH1J153D	CHIP R 15K D 1/16W	
R402			RK73HH1J473D	CHIP R 47K D 1/16W	
R403			RK73GB2A101J	CHIP R 100 J 1/10W	
R406			R92-5247-08	CHIP R 0.22 J 1/2W	
R417			RK73GB2A183J	CHIP R 18K J 1/10W	
R419			RK73GH2A104D	CHIP R 100K D 1/10W	
R420			RK73HH1J184D	CHIP R 180K D 1/16W	
S1			S74-0829-08	DETECT SWITCH	
D6 ,7			AN1102W-6-X	IR LED	
D9			PS1192HB-22-X	PHOTO TRANSISTO	
D11			PS1192HB-22-X	PHOTO TRANSISTO	
IC1			BD8215EFV-X	IC	
IC3		*	MM3233CF-X	IC	
IC7			TC7PA53FU-X	IC	
IC8			MF1341S2162	IC	
IC301			MN2DS0018MA	IC	
IC302			MM1701CH-X	IC	
IC308			NJU6368PF1-X	IC	
IC398		*	SG32N90TFI031Y	IC (PROGRAMED)	
IC399		*	M12L128168A7TG	IC (DIGITAL)	
IC400			AK4387ET-X	IC	
IC481		*	BR24S32FVT-W-X	IC (DIGITAL)	
IC501,502			TC74LCX373FT-X	IC (DIGITAL)	
Q2			RT1N141U-X	DIGI TRANSISTOR	

Ref. No.	Add	New	Parts No.	Description	Destination
Q4		*	2SD601A/R/-X	TRANSISTOR	
Q7		*	2SD601A/R/-X	TRANSISTOR	
Q8			2SA1774/R/-X	TRANSISTOR	
Q9			2SC4617/R/-X	TRANSISTOR	
Q101			2SB1424/R/-W	TRANSISTOR	
Q102			2SC4617/R/-X	TRANSISTOR	
Q103			2SB1424/R/-W	TRANSISTOR	
Q104,105			2SC4617/R/-X	TRANSISTOR	
Q106,107			2SK3546J-X	MOS FET	
Q301,302			RT1N441U-X	DIGI TRANSISTOR	
TH491			NAD0025-103X	N THERMISTOR	
DVD MECHANISM ASSY (D40-2229-05)					
1		*	A10-5536-08	CHASSIS	
2			J22-0881-08	MOUNTING HARDWAER	
3			N09-6779-08	SPECIAL SCREW	
4		*	G01-4747-08	TORSION COIL SPRING	
5			G01-4711-08	TORSION COIL SPRING	
6			N09-6778-08	SPECIAL SCREW	
7			D39-0283-08	DAMPER	
8			D39-0284-08	DAMPER	
9			G01-4712-08	TORSION COIL SPRING	
10			G01-4713-08	TORSION COIL SPRING	
11			G01-4714-08	TORSION COIL SPRING	
12			G01-4715-08	TORSION COIL SPRING	
13			J22-0882-08	MOUNTING HARDWAER	
14			N09-6780-08	SPECIAL SCREW	
15			T42-1356-08	DC MOTOR	
16			N09-6781-08	SPECIAL SCREW	
17			G02-1598-08	FLAT SPRING	
18			D13-2499-08	GEAR	
19			D13-2500-08	GEAR	
20			D13-3001-08	GEAR	
21			D13-3002-08	GEAR	
22			D13-3003-08	GEAR	
23			D13-3004-08	GEAR	
24			D13-3005-08	GEAR	
25			D13-3006-08	GEAR	
26			J22-0883-08	MOUNTING HARDWAER	
27			N09-6778-08	SPECIAL SCREW	
28			D10-7065-08	SLIDE CAM ASSY	
29			G01-4716-08	TORSION COIL SPRING	
30			A10-5515-08	CHASSIS	
31			J30-1096-08	SPACER	
32		*	J22-0909-08	MOUNTING HARDWAER	
33		*	E39-1099-08	WIRING HARNESS ASSY	
34			N09-6782-08	SPECIAL SCREW	
35		*	D10-7096-08	LOADING ARM AS	
36		*	D14-1035-08	ROLLER	
37		*	D21-2534-08	SHAFT	
38			J22-0885-08	MOUNTING HARDWAER	
39		*	N29-0544-08	WASHER	
40			N29-0542-08	RETAINING RING	
41			J31-1082-08	COLLAR	
42		*	J31-1087-08	COLLAR	

E1 : KDV-5244U E2 : KDV-5544U (Europe)
K : KDV-415U (North America) R1 : KDV-MP5042U (Latin America)
X1 : KDV-MP5443U (Australia) M1 : KDV-MP5343U (Other Areas)

△ Indicates safety critical components.

PARTS LIST

DVD MECHANISM ASSY (D40-2229-05)

Ref. No.	A d d	N e w	Parts No.	Description	Desti- nation
43		*	D10-7097-08	ARM	
44			D13-3007-08	GEAR	
45			D13-3008-08	GEAR	
46			N29-0543-08	RETAINING RING	
47			D13-3009-08	GEAR	
48		*	G01-4748-08	TORSION COIL SPRING	
49			N09-6778-08	SPECIAL SCREW	
50		*	D40-2232-08	TRA MECHA UNIT	
51			G01-4718-08	TORSION COIL SPRING	
52		*	J30-1099-08	SPACER (P)	
53			N09-6778-08	SPECIAL SCREW	

Ref. No.	A d d	N e w	Parts No.	Description	Desti- nation