

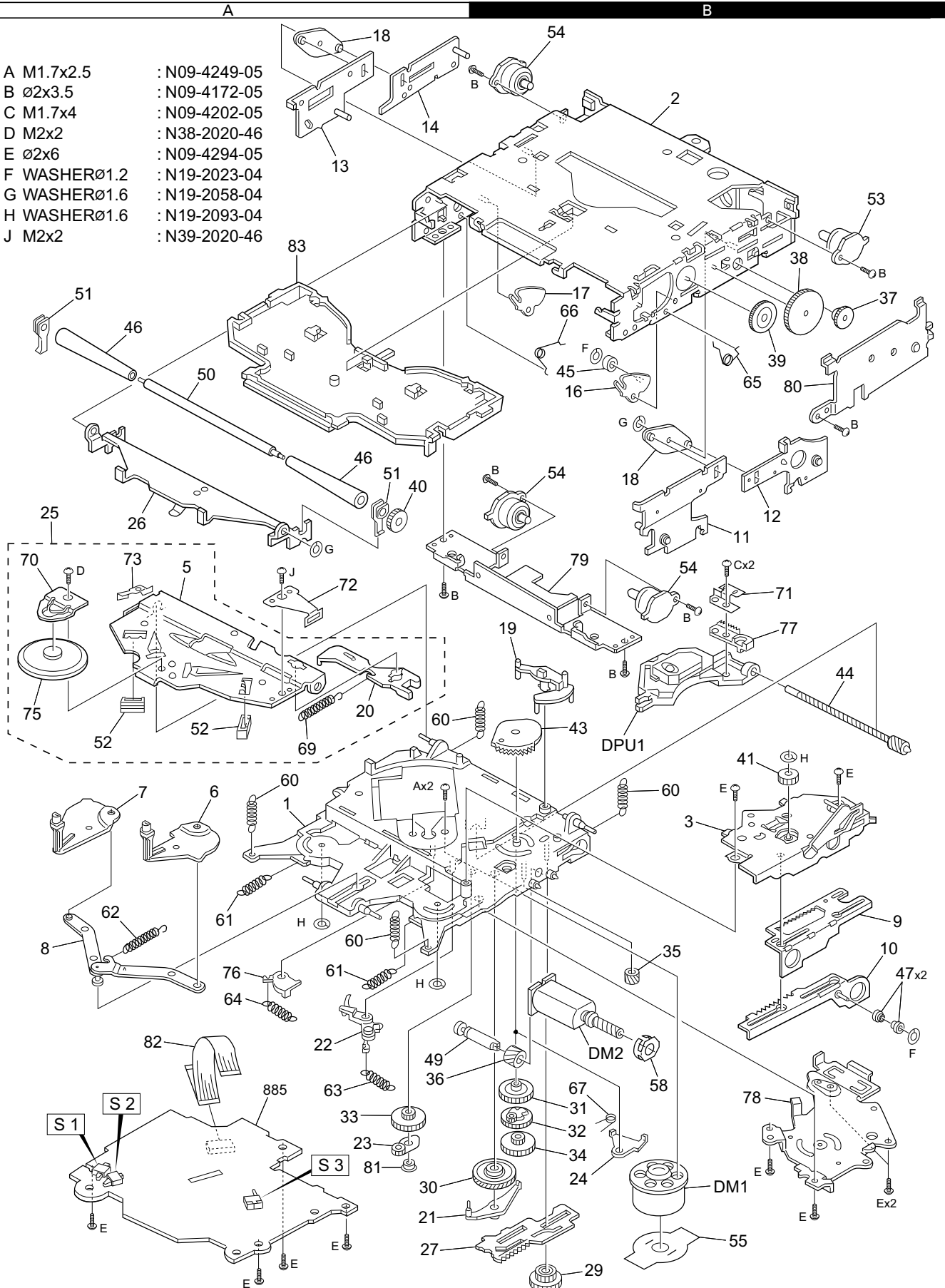
EXPLODED VIEW (MECHANISM)

- | | |
|----------------------------|---------------|
| A M1.7x2.5 | : N09-4249-05 |
| B \varnothing 2x3.5 | : N09-4172-05 |
| C M1.7x4 | : N09-4202-05 |
| D M2x2 | : N38-2020-46 |
| E \varnothing 2x6 | : N09-4294-05 |
| F WASHER \varnothing 1.2 | : N19-2023-04 |
| G WASHER \varnothing 1.6 | : N19-2058-04 |
| H WASHER \varnothing 1.6 | : N19-2093-04 |
| J M2x2 | : N39-2020-46 |

1

2

3



PARTS LIST

*New Parts

Parts without **Parts No.** are not supplied.

Les articles non mentionnes dans le **Parts No.** ne sont pas fournis.

Teile ohne **Parts No.** werden nicht geliefert.

Ref. No.	A d d	N e w	Parts No.	Description	Dest inati on
KDC-X615, 6015, 6080R/RV, 7016					
200	1C	*	A02-1494-08	PLASTIC CABINET ASSY	
202	1D	*	A52-0769-08	TOP PLATE	
205	2C	*	A11-0995-08	PANEL BRACKET ASSY	
206	2C	*	A11-0996-08	SIDE PLATE L ASSY	
207	2C	*	A11-0997-08	SIDE PLATE R ASSY	△
208	2C	*	A22-2846-08	SUB PANEL ASSY	
209	2C	*	A46-1674-08	REAR COVER	
PA1	3C	*	A64-2089-08	PANEL ASSY	K
PA1	3C	*	A64-2090-08	PANEL ASSY	K1
PA1	3C	*	A64-2091-08	PANEL ASSY	M1
PA1	3C	*	A64-2092-08	PANEL ASSY	E1E2E3
RC1	1C	*	A70-0883-05	REMOTO CONTROLLER ASSY(RC-500)	K1M1
RC2	1C	*	A70-0894-05	REMOTO CONTROLLER ASSY(RC-520)	K
212	1D	*	B07-2186-08	ESCUTCHEON (J CAR)	KK1M1
213	3D	*	B07-2195-08	ESCUTCHEON ASSY	E2E3
213	3D	*	B07-2195-08	ESCUTCHEON ASSY	K1M1E1
213	3D	*	B07-2196-08	ESCUTCHEON-P ASSY	K
214	3C	*	B10-3210-08	FRONT GLASS ASSY	K
214	3C	*	B10-3211-08	FRONT GLASS ASSY	K1
214	3C	*	B10-3212-08	FRONT GLASS ASSY	M1
214	3C	*	B10-3213-08	FRONT GLASS ASSY	E1E2E3
215	3C	*	B19-2041-08	HOLDER	
-			B46-0100-50	WARRANTY CARD	E1E3
-			B46-0100-50	WARRANTY CARD	KK1M1
-			B46-0612-14	ID CARD	
-			B46-0631-03	QUESTIONNAIRE CARD	K
-			B58-1319-04	CAUTION CARD	E1E2E3
-		*	B59-0742-00	SUB INSTRUCTION MANUAL	E1E2E3
-		*	B64-1625-00	INST.MANUAL(ENG,FRE,SRA)	KK1
-		*	B64-1626-00	INST.MANUAL(ENG,CHI)	M1
-		*	B64-1627-00	INST.MANUAL(ENGLISH)	E1E2E3
-		*	B64-1628-00	INST.MANUAL(FRE,GER,DUT)	E1E3
-		*	B64-1629-00	INST.MANUAL(ITA,SPA,POR)	E1E3
-		*	B64-1630-00	INST.MANUAL(RUS,POL,CZE)	E2
-		*	B64-1631-00	INST.MANUAL(HUN,SWE,FIN)	E2
218	2D	*	D10-4500-08	ARM (RELEASE)	
219	2C	*	D10-4501-08	LEVER (SW)	
220	3C	*	D10-4502-08	LEVER (LOCK)	
221	2C	*	D10-4503-08	GEAR (ARM)	
222	1D	*	D10-4514-08	LEVER	
223	2C	*	D13-2088-08	GEAR (IDOL)	
224	2C	*	D14-0745-08	ROLLER (FPC)	
225	2D	*	D21-2351-08	SHAFT (RELEASE H)	
228	3C	*	E29-1807-08	CONDUCTIVE RUBBER	
230	1D	*	E30-4857-08	ANT CORD ASSY	
231	2D	*	E30-4858-08	RCA CORD ASSY(G)	KM1
231	2D	*	E30-4859-08	RCA CORD ASSY	E3
231	2D	*	E30-4859-08	RCA CORD ASSY	K1E1E2
232	2C	*	E39-0360-08	FPC ASSY	
233	2C	*	E58-0895-05	RECTANGULAR RECEPTACLE (13P)	
DC1	1C	*	E30-4865-08	DC CORD	K
DC2	1C	*	E30-4866-08	DC CORD	K1M1

Ref. No.	A d d	N e w	Parts No.	Description	Dest inati on
DC3	1C	*	E30-4867-08	DC CORD	E1E2E3
FC1	1C	*	E39-0359-08	FLAT CABLE (22P)	
235	2C	*	F07-1089-08	COVER (MASK)	
236	2C	*	F09-1637-08	ADHESIVE SHEET (MASK)	
238	1D	*	F29-0049-05	INSULATING COVER (RCA PIN)	
F1	1C	*	F06-1032-05	FUSE(BLADE TYPE)(10A)	
241	2C	*	G01-3030-08	TORSION COIL SPRING (LEVER SW)	
242	2D	*	G01-3031-08	TORSION COIL SPRING (RELEASE)	
243	2C	*	G01-3032-08	TORSION COIL SPRING (FPC)	
244	2C	*	G01-3033-08	TORSION COIL SPRING (BRACKET)	
245	3C	*	G01-3034-08	COMPRESSION SPRING (OPEN)	
246	3C	*	G01-3035-08	EXTENSION SPRING (LOCK LEVER)	
249	2C	*	G13-1248-08	CUSHION (BRACKET LEFT)	
250	2C	*	G16-1154-08	PROTECTION SHEET(BRACKET ASSY)	
251	2C	*	H12-2671-08	CUSHION (BRACKET MIDDLE)	
252	2C	*	H13-1782-08	FPC PROTECT COVER	
253	1D	*	H21-1127-08	PROTECTION SHEET (CD&FPC)	
-		*	H10-4714-08	POLYSTYRENE FORMED FIXTURE	
-		*	H10-4723-08	POLYSTYRENE FORMED FIXTURE (J)	KK1M1
-		*	H25-0329-04	PROTECTION BAG	
-		*	H25-0334-04	PROTECTION BAG	
-		*	H25-0336-04	PROTECTION BAG	
-		*	H54-1719-08	ITEM CARTON CASE	K
-		*	H54-1720-08	ITEM CARTON CASE	K1
-		*	H54-1721-08	ITEM CARTON CASE	M1
-		*	H54-1722-08	ITEM CARTON CASE	E1
-		*	H54-1723-08	ITEM CARTON CASE	E3
-		*	H54-1731-08	ITEM CARTON CASE	E2
255	2C	*	J19-5023-08	DUMPER	
257	1C	*	J21-9585-08	MOUNTING HARDWARE ASSY	
258	2C	*	J31-1048-08	COLLER	
259	2C	*	J39-0841-08	PROTECTION SHEET (BRACKET ARM)	
260	2C	*	J52-0604-05	PUSH LATCH	
261	1C	*	J54-0611-08	STAY	KK1M1
264	3C	*	K24-3591-08	KNOB (SRC)	
265	3C	*	K24-3592-08	KNOB (OPEN)	
266	3C	*	K24-3630-08	KNOB (RELEASE)	
267	3C	*	K25-1152-08	KNOB (VOL)	
268	3C	*	K25-1153-08	KNOB (PLAY/PAUSE,EJECT)	
269	3C	*	K25-1154-08	KNOB (PRESET,ATT)	
270	3C	*	K25-1155-08	KNOB (AUD,AUTO,DISP)	
271	3C	*	K25-1156-08	KNOB (FM,AM,UP,DOWN)	
274	1C	*	N99-1688-08	SCREW SET	
275	1C	*	N99-1689-08	SCREW SET	KK1M1
A	3D	*	N09-4387-08	SCREW	
B	3C	*	N09-4388-08	SCREW	
C	2C	*	N19-2148-08	C WASHER	
D	2C	*	N19-2149-08	C WASHER	
E	2C	*	N29-0518-08	E RING	
F	2C	*	N35-2003-45	SCREW	
G	2C	*	N35-2004-45	SCREW	
H	3C	*	N35-2605-46	SCREW	

K : KDC-X615 K1: KDC-6015 M1: KDC-7016
E1: KDC-6080R E2: KDC-6080RV E3: KDC-6080RV

△ indicates safety critical components.

KDC-X615,6015 KDC-6080R/RV/RV,7016

PARTS LIST

*New Parts

Parts without **Parts No.** are not supplied.

Les articles non mentionnes dans le **Parts No.** ne sont pas fournis.

Teile ohne **Parts No.** werden nicht geliefert.

KDC-X615, 6015, 6080R/RV/RV, 7016

Ref. No.	Add	New	Parts No.	Description	Destination
J	2C		N35-3004-45	SCREW	
K	2C	*	N09-4392-08	SCREW	
L	2C		N39-2025-46	SCREW	
M	3C		N80-2008-45	SCREW	
N	1D		N83-3006-46	SCREW	
P	3D		N84-3008-46	SCREW	
Q	2D		N86-3005-46	SCREW	
276	1C		T90-0523-05	ANT ADAPTER	E1E2E3
DME1	1D	*	X92-3700-01	CD MECHANISM ASSY	
MAIN UNIT					
C1			CE04CW1A101M	ELECTRO 100UF 10WV	
C2			CK73GB1H103K	CHIP C 0.010UF K	
C3 ,4			CC73FCH1H220J	CHIP C 22PF J	
C6			CK73EB1C105K	CHIP C 1.0UF K	
C7			CK73GB1H102K	CHIP C 1000PF K	
C8 -10			CK73GB1H103K	CHIP C 0.010UF K	
C13 -17			CK73GB1H103K	CHIP C 0.010UF K	
C18 ,19			CK73GB1H102K	CHIP C 1000PF K	
C100			CK73GB1H103K	CHIP C 0.010UF K	
C101			CE04CW1A101M	ELECTRO 100UF 10WV	
C102			CK73GB1H103K	CHIP C 0.010UF K	
C103			CE04CW1A101M	ELECTRO 100UF 10WV	
C104			CK73GB1C104K	CHIP C 0.10UF K	
C105			CK73GB1H103K	CHIP C 0.010UF K	
C106			CE04CW1A101M	ELECTRO 100UF 10WV	
C107			CK73GB1H103K	CHIP C 0.010UF K	
C108			CE04CW1A101M	ELECTRO 100UF 10WV	
C109			CK73GB1C104K	CHIP C 0.10UF K	
C110			CE04CW1A101M	ELECTRO 100UF 10WV	
C111			CK73GB1H103K	CHIP C 0.010UF K	
C150			C90-2597-05	ELECTRO 10UF 16WV	E1E2E3
C151			CC73FCH1H271J	CHIP C 270PF J	E1E2E3
C152			C90-2597-05	ELECTRO 10UF 16WV	E1E2E3
C153			CK73GB1H103K	CHIP C 0.010UF K	E1E2E3
C154,155			CC73FCH1H100D	CHIP C 10PF D	E1E2E3
C200			C90-5325-08	CHIP C 0.047UF K	
C300			CK73EB1C225K	CHIP C 2.2UF K	
C301A,B			CK73EB1C225K	CHIP C 2.2UF K	
C302			C90-5326-08	CHIP C 0.033UF K	
C303			CK73GB1H153K	CHIP C 0.015UF K	
C304			CK73FB1C474K	CHIP C 0.47UF K	
C305			CC73FCH1H151J	CHIP C 150PF J	
C306			CK73GB1C104K	CHIP C 0.10UF K	
C307			CC73FCH1H121J	CHIP C 120PF J	
C308			CK73GB1C823K	CHIP C 0.082UF K	
C309			CE04CW1C470M	ELECTRO 47UF 16WV	
C310			CK73GB1H103K	CHIP C 0.010UF K	
C311A,B			CK73EB1C225K	CHIP C 2.2UF K	KM1
C313A,B			CK73FB1C274K	CHIP C 0.27UF K	KM1
C314A,B			CK73FB1C274K	CHIP C 0.27UF K	KM1
C315A,B			CK73FB1C274K	CHIP C 0.27UF K	KM1
C316A,B			CK73FB1C274K	CHIP C 0.27UF K	KM1
C317			CK73EB1C105K	CHIP C 1.0UF K	KM1

Ref. No.	Add	New	Parts No.	Description	Destination
C318			CK73GB1H103K	CHIP C 0.010UF K	KM1
C319			CE04CW1C470M	ELECTRO 47UF 16WV	KM1
C320A,B			CK73GB1C104K	CHIP C 0.10UF K	KM1
C321A,B			CK73GB1C104K	CHIP C 0.10UF K	KM1
C350A,B			C90-2597-05	ELECTRO 10UF 16WV	
C351A,B			C90-2597-05	ELECTRO 10UF 16WV	
C352A,B			CK73GB1H222K	CHIP C 2200PF K	
C353A,B			CK73GB1H222K	CHIP C 2200PF K	
C354			CK73FB1E104K	CHIP C 0.10UF K	
C400			CK73FB1E104K	CHIP C 0.10UF K	
C402A,B			C90-2606-05	ELECTRO 0.47UF 50WV	
C403			CE04CW1C470M	ELECTRO 47UF 16WV	
C404A,B			CK73GB1H102K	CHIP C 1000PF K	
C502A,B			CK73FB1C474K	CHIP C 0.47UF K	
C503A,B			CK73FB1C474K	CHIP C 0.47UF K	
C504A,B			CK73FB1C474K	CHIP C 0.47UF K	
C505A,B			CK73FB1C474K	CHIP C 0.47UF K	
C506,507			CK73EB1C225K	CHIP C 2.2UF K	
C508,509			C90-2877-08	ELECTRO 1.0UF 50WV	
C511			CE04CW1C101M	ELECTRO 100UF 16WV	
C600		*	C90-5328-08	ELECTRO 3900UF 16WV	
C601			CK73EB1H104K	CHIP C 0.10UF K	
C602			CK73FB1E104K	CHIP C 0.10UF K	
C603			CK73FB1H103K	CHIP C 0.010UF K	
C604			CK73FB1E104K	CHIP C 0.10UF K	
C605			CE04CW1H3R3M	ELECTRO 3.3UF 50WV	
C606			CK73FB1E683K	CHIP C 0.068UF K	
C607			CE04CW1H0R1M	ELECTRO 0.1UF 50WV	
C608			CK73FB1H223K	CHIP C 0.022UF K	
C609			CK73FB1H103K	CHIP C 0.010UF K	E1E2E3
C610,611			CE04CW1C101M	ELECTRO 100UF 16WV	
C612		*	C90-5327-08	CHIP-TAN 10UF 16WV	
C613			CK73GB1H223K	CHIP C 0.022UF K	
C614			CE04CW1A101M	ELECTRO 100UF 10WV	
C615			CK73GB1H223K	CHIP C 0.022UF K	
C618			CK73GB1H223K	CHIP C 0.022UF K	
C619			CE04CW1C470M	ELECTRO 47UF 16WV	
C621			CK73GB1H103K	CHIP C 0.010UF K	
C622			CE04CW1C470M	ELECTRO 47UF 16WV	
C623			CE04CW1A101M	ELECTRO 100UF 10WV	
C624			CK73FB1A105K	CHIP C 1.0UF K	
CN1		*	E41-0068-08	PIN ASSY (4P)	
CN3			E40-9402-05	FLAT CABLE CONNECTOR (13P)	
CN100			E40-3238-05	PIN ASSY (3P)	
CN200			E40-9339-05	FLAT CABLE CONNECTOR (22P)	
CN350			E40-3241-05	PIN ASSY (6P)	
CN400	2D		E56-0834-05	CYLINDRICAL RECEPTACLE (13P)	
CN600	2D		E58-0863-15	RECTANGULAR RECEPTACLE (16P)	
L1			L33-1055-08	SMALL FIXED INDUCTOR(4.7UH,K)	
L100			L33-1055-08	SMALL FIXED INDUCTOR(4.7UH,K)	
L101			L33-1123-05	LINE FILTER COIL (52mH)	
L102-106			L33-1055-08	SMALL FIXED INDUCTOR(4.7UH,K)	
L150			L33-1055-08	SMALL FIXED INDUCTOR(4.7UH,K)	E1E2E3

K : KDC-X615 K1: KDC-6015 M1: KDC-7016
E1: KDC-6080R E2: KDC-6080RY E3: KDC-6080RV

PARTS LIST

*New Parts

Parts without **Parts No.** are not supplied.

Les articles non mentionnes dans le **Parts No.** ne sont pas fournis.

Teile ohne **Parts No.** werden nicht geliefert.

MAIN UNIT

Ref. No.	Ad	New	Parts No.	Description	Destination
L300			L33-1055-08	SMALL FIXED INDUCTOR(4.7UH,K)	
X1		*	L78-0815-08	SERAMIC RESONATOR (12.0MHZ)	
X2			L78-0533-05	RESONATOR (32.768KHZ)	
X150			L77-2002-05	RESONATOR (4.332MHZ)	E1E2E3
P	3D		N84-3008-46	SCREW	
R	3D		N30-3008-46	SCREW	
S	2D		N83-3008-45	SCREW	
JC1			R92-2053-05	CHIP R 0 J 1/8W	
JC2			R92-2052-05	CHIP R 0 J 1/10W	
JC3 ,4			R92-2053-05	CHIP R 0 J 1/8W	
JC5 -7			R92-2052-05	CHIP R 0 J 1/10W	
JC8 -10			R92-2053-05	CHIP R 0 J 1/8W	
JC11-13			R92-2052-05	CHIP R 0 J 1/10W	
JC14			R92-2053-05	CHIP R 0 J 1/8W	
JC15,16			R92-2052-05	CHIP R 0 J 1/10W	
JC17			R92-2053-05	CHIP R 0 J 1/8W	
JC18,19			R92-2052-05	CHIP R 0 J 1/10W	
R1			RK73GB1J473J	CHIP R 47K J 1/16W	
R3			RK73GB1J473J	CHIP R 47K J 1/16W	
R5			RK73GB1J473J	CHIP R 47K J 1/16W	
R7			RK73GB1J473J	CHIP R 47K J 1/16W	KM1E3
R8			RK73GB1J473J	CHIP R 47K J 1/16W	K1E1E2
R9			RK73GB1J473J	CHIP R 47K J 1/16W	KK1E3
R10			RK73GB1J473J	CHIP R 47K J 1/16W	M1E1E2
R11			RK73GB1J473J	CHIP R 47K J 1/16W	E1E2
R11			RK73GB1J473J	CHIP R 47K J 1/16W	KK1M1
R12			RK73GB1J473J	CHIP R 47K J 1/16W	E3
R13			RK73FB2A102J	CHIP R 1.0K J 1/10W	
R14			RK73EB2B225J	CHIP R 2.2M J 1/8W	
R15 -17			RK73FB2A103J	CHIP R 10K J 1/10W	
R18			RK73FB2A102J	CHIP R 1.0K J 1/10W	
R19			RK73FB2A472J	CHIP R 4.7K J 1/10W	
R20			RK73FB2A473J	CHIP R 47K J 1/10W	
R21 ,22			RK73FB2A103J	CHIP R 10K J 1/10W	
R23			RK73FB2A473J	CHIP R 47K J 1/10W	
R24			RK73FB2A104J	CHIP R 100K J 1/10W	
R25			RK73FB2A222J	CHIP R 2.2K J 1/10W	E1E2E3
R26			RK73FB2A104J	CHIP R 100K J 1/10W	KK1M1
R27			RK73FB2A222J	CHIP R 2.2K J 1/10W	
R32			RK73FB2A104J	CHIP R 100K J 1/10W	
R33			RK73FB2A470J	CHIP R 47 J 1/10W	
R34			RK73FB2A221J	CHIP R 220 J 1/10W	
R35			RK73FB2A102J	CHIP R 1.0K J 1/10W	
R36			RK73FB2A154J	CHIP R 150K J 1/10W	
R39 ,40			RK73FB2A102J	CHIP R 1.0K J 1/10W	
R43			RK73FB2A473J	CHIP R 47K J 1/10W	
R44			RK73FB2A471J	CHIP R 470 J 1/10W	
R45			RK73FB2A473J	CHIP R 47K J 1/10W	
R46			RK73FB2A471J	CHIP R 470 J 1/10W	
R47			RK73FB2A473J	CHIP R 47K J 1/10W	
R50			RK73FB2A101J	CHIP R 100 J 1/10W	
R51 ,52			RK73FB2A102J	CHIP R 1.0K J 1/10W	
R53			RK73FB2A221J	CHIP R 220 J 1/10W	
R54 ,55			RK73FB2A471J	CHIP R 470 J 1/10W	

Ref. No.	Ad	New	Parts No.	Description	Destination
R56			RK73FB2A470J	CHIP R 47 J 1/10W	
R57			RK73FB2A221J	CHIP R 220 J 1/10W	
R58			RK73FB2A104J	CHIP R 100K J 1/10W	
R59			RK73FB2A473J	CHIP R 47K J 1/10W	
R60			RK73FB2A273J	CHIP R 27K J 1/10W	
R61 ,62			RK73FB2A473J	CHIP R 47K J 1/10W	
R64			RK73FB2A684J	CHIP R 680K J 1/10W	
R65			RK73FB2A223J	CHIP R 22K J 1/10W	
R67 ,68			RK73FB2A471J	CHIP R 470 J 1/10W	
R69			RK73FB2A102J	CHIP R 1.0K J 1/10W	
R100			RK73EB2B151J	CHIP R 150 J 1/8W	
R101			RK73FB2A223J	CHIP R 22K J 1/10W	
R102			RK73EB2B222J	CHIP R 2.2K J 1/8W	
R103			RK73FB2A223J	CHIP R 22K J 1/10W	
R104			RK73EB2B222J	CHIP R 2.2K J 1/8W	
R105			RK73FB2A102J	CHIP R 1.0K J 1/10W	E1E2E3
R106			RK73FB2A472J	CHIP R 4.7K J 1/10W	E1E2E3
R200			RK73FB2A104J	CHIP R 100K J 1/10W	
R201			RK73FB2A222J	CHIP R 2.2K J 1/10W	
R300			RK73FB2A103J	CHIP R 10K J 1/10W	
R301			RK73FB2A272J	CHIP R 2.7K J 1/10W	
R302,303			RK73FB2A472J	CHIP R 4.7K J 1/10W	
R304			R92-2052-05	CHIP R 0 J 1/10W	KK1M1
R305			RK73FB2A222J	CHIP R 2.2K J 1/10W	E1E2E3
R306			RK73FB2A102J	CHIP R 1.0K J 1/10W	E1E2E3
R307			RK73FB2A472J	CHIP R 4.7K J 1/10W	E1E2E3
R308			RK73FB2A102J	CHIP R 1.0K J 1/10W	
R309A,B			R92-2052-05	CHIP R 0 J 1/10W	E3
R309A,B			R92-2052-05	CHIP R 0 J 1/10W	K1E1E2
R310A,B			R92-2052-05	CHIP R 0 J 1/10W	E3
R310A,B			R92-2052-05	CHIP R 0 J 1/10W	K1E1E2
R311A,B			R92-2052-05	CHIP R 0 J 1/10W	E3
R311A,B			R92-2052-05	CHIP R 0 J 1/10W	K1E1E2
R352A,B			RK73FB2A471J	CHIP R 470 J 1/10W	
R353A,B			RK73FB2A471J	CHIP R 470 J 1/10W	
R354A,B			RK73FB2A223J	CHIP R 22K J 1/10W	
R355A,B			RK73FB2A223J	CHIP R 22K J 1/10W	
R356A,B			RK73FB2A101J	CHIP R 100 J 1/10W	
R357A,B			RK73FB2A101J	CHIP R 100 J 1/10W	
R400			RK73FB2A101J	CHIP R 100 J 1/10W	
R401A,B			RK73FB2A101J	CHIP R 100 J 1/10W	
R402			RK73FB2A101J	CHIP R 100 J 1/10W	
R403-405			RK73FB2A222J	CHIP R 2.2K J 1/10W	
R406,407			RK73FB2A472J	CHIP R 4.7K J 1/10W	
R408			RK73FB2A101J	CHIP R 100 J 1/10W	
R409			RK73FB2A104J	CHIP R 100K J 1/10W	
R500A,B			RK73FB2A472J	CHIP R 4.7K J 1/10W	
R501A,B			RK73FB2A472J	CHIP R 4.7K J 1/10W	
R502			RK73FB2A333J	CHIP R 33K J 1/10W	
R503			RK73FB2A223J	CHIP R 22K J 1/10W	
R504			RK73FB2A751J	CHIP R 750 J 1/10W	
R505			RK73FB2A431J	CHIP R 430 J 1/10W	
R506			RK73FB2A102J	CHIP R 1.0K J 1/10W	
R508			RK73FB2A273J	CHIP R 27K J 1/10W	
R509			RK73FB2A101J	CHIP R 100 J 1/10W	

K : KDC-X615 K1: KDC-6015 M1: KDC-7016
E1: KDC-6080R E2: KDC-6080RY E3: KDC-6080RV

KDC-X615,6015

KDC-6080R/RV,7016

PARTS LIST

*New Parts

Parts without **Parts No.** are not supplied.

Les articles non mentionnes dans le **Parts No.** ne sont pas fournis.

Teile ohne **Parts No.** werden nicht geliefert.

MAIN UNIT

Ref. No.	A d d	N e w	Parts No.	Description	Dest inati on
R600			RK73FB2A183J	CHIP R 18K J 1/10W	
R601			RK73FB2A822J	CHIP R 8.2K J 1/10W	
R602			RK73FB2A223J	CHIP R 22K J 1/10W	
R603			RK73FB2A104J	CHIP R 100K J 1/10W	
R604			RD14DB2H332J	SMALL-RD 3.3K J 1/2W	
R605			RK73EB2B473J	CHIP R 47K J 1/8W	
R606			RK73FB2A912J	CHIP R 9.1K J 1/10W	
R607			RK73FB2A104J	CHIP R 100K J 1/10W	
R608			RK73FB2A472J	CHIP R 4.7K J 1/10W	
R609			RK73FB2A223J	CHIP R 22K J 1/10W	KK1M1
R610			RS14AB3A561J	FL-PROOF RS 560 J 1W	KK1M1
R611			RK73FB2A472J	CHIP R 4.7K J 1/10W	
R612			RD14DB2H102J	SMALL-RD 1.0K J 1/2W	
R613			RK73FB2A223J	CHIP R 22K J 1/10W	
R614			RD14DB2H102J	SMALL-RD 1.0K J 1/2W	
R615			RK73EB2B103J	CHIP R 10K J 1/8W	
R616			RK73FB2A104J	CHIP R 100K J 1/10W	
R617			RK73FB2A473J	CHIP R 47K J 1/10W	E1E2E3
R618			RK73EB2B752J	CHIP R 7.5K J 1/8W	E1E2E3
R619			RK73FB2A223J	CHIP R 22K J 1/10W	E1E2E3
R620			RK73FB2A102J	CHIP R 1.0K J 1/10W	E1E2E3
R621			RK73FB2A104J	CHIP R 100K J 1/10W	
R622,623			RK73FB2A102J	CHIP R 1.0K J 1/10W	
R624			RK73FB2A223J	CHIP R 22K J 1/10W	
R625			RD14BB2E100J	RD 10 J 1/4W	
R626			RK73FB2A102J	CHIP R 1.0K J 1/10W	
R627			RK73FB2A471J	CHIP R 470 J 1/10W	
R634			RK73FB2A152J	CHIP R 1.5K J 1/10W	
R641			RK73FB2A102J	CHIP R 1.0K J 1/10W	
R643			RK73FB2A103J	CHIP R 10K J 1/10W	
R644			R92-2052-05	CHIP R 0 J 1/10W	E1E2E3
RN1			R90-0724-05	MULTI-COMP 1K X4	
RN2 -4			R90-0725-05	MULTI-COMP 1K X2	
RN5			R90-0724-05	MULTI-COMP 1K X4	
RN6			R90-0725-05	MULTI-COMP 1K X2	
RN7			R90-1022-05	MULTI-COMP 470 X2	
RN9			R90-0720-05	MULTI-COMP 100K X4	
RN150			R90-0722-05	MULTI-COMP 2.2K X4	E1E2E3
RN400			R90-0720-05	MULTI-COMP 100K X4	
D5 -8			MA4062(N)-M	ZENER DIODE	
D100			MA4051(N)-M	ZENER DIODE	
D300			1SS355	DIODE	
D301			RD6.8MW	ZENER DIODE	
D350A,B			STZ6.2Z	ZENER DIODE	
D352A,B			STZ6.2Z	ZENER DIODE	
D400A,B			STZ6.2Z	ZENER DIODE	
D401-405			STZ6.2Z	ZENER DIODE	
D501			1SS355	DIODE	
D502A,B			11ES2C	DIODE	
D503A,B			11ES2C	DIODE	
D504A,B			11ES2C	DIODE	
D505A,B			11ES2C	DIODE	
D506,507			1SS355	DIODE	
D600			RM10Z	ZENER DIODE	

Ref. No.	A d d	N e w	Parts No.	Description	Dest inati on
D601			HZS6B1L	ZENER DIODE	
D603			HZS6B1L	ZENER DIODE	
D604,605			11ES2C	DIODE	KK1M1
D606			11ES2C	DIODE	
D607			11ES2C	DIODE	
D608			1SS355	DIODE	
D610			MA4047-M	ZENER DIODE	E1E2E3
D611			DA204K	DIODE	K
D612			11ES2C	DIODE	
D613			HZS6B1L	ZENER DIODE	
D614			MA4110-L	ZENER DIODE	
D615			MA4082(N)-L	ZENER DIODE	
D617			DTZ9.1A	ZENER DIODE	
IC1		*	784217AGF506	MI-COM IC	
IC2			S-80830ANNP	ANALOGUE IC	
IC3			HD74HC27FP	MOS-IC	
IC150			TDA7479D	ANALOGUE IC	E1E2E3
IC300			TDA7400D	ANALOGUE IC	
IC301			TDA7401	ANALOGUE IC	KM1
IC500	2D		TDA7386	ANALOGUE IC	
Q1			2SA1576A	TRANSISTOR	
Q2			DTA124EUA	DIGITAL TRANSISTOR	
Q3			DTA144EUA	DIGITAL TRANSISTOR	
Q5			2SA1576A	TRANSISTOR	
Q100			2SA1703-AN	TRANSISTOR	
Q101			DTC144EUA	DIGITAL TRANSISTOR	
Q102			2SA1703-AN	TRANSISTOR	
Q103			DTC144EUA	DIGITAL TRANSISTOR	
Q104			2SC4081	TRANSISTOR	E1E2E3
Q300			DTA124EUA	DIGITAL TRANSISTOR	E1E2E3
Q301			DTC114TUA	DIGITAL TRANSISTOR	E1E2E3
Q302			2SC4081	TRANSISTOR	E1E2E3
Q303			DTC144EUA	DIGITAL TRANSISTOR	
Q350A,B			DTC343TK	DIGITAL TRANSISTOR	
Q351A,B			DTC343TK	DIGITAL TRANSISTOR	
Q500			DTC114YUA	DIGITAL TRANSISTOR	
Q600,601			2SC4081	TRANSISTOR	
Q602			2SA1703-AN	TRANSISTOR	KK1M1
Q603			DTC114YUA	DIGITAL TRANSISTOR	KK1M1
Q604			2SA1703-AN	TRANSISTOR	
Q605			2SA1576A	TRANSISTOR	
Q606			DTA124EUA	DIGITAL TRANSISTOR	
Q607			DTC114EUA	DIGITAL TRANSISTOR	
Q608			DTC144EUA	DIGITAL TRANSISTOR	
Q609			DTA123JUA	DIGITAL TRANSISTOR	K
Q610	2D		2SB1565(E,F)	TANSISTOR	
Q611			2SC4081	TRANSISTOR	
Q612			2SD1760	TRANSISTOR	
Q614			DTA124EUA	DIGITAL TRANSISTOR	
Q615			DTC124EUA	DIGITAL TRANSISTOR	
Q618	2D		2SB1565(E,F)	TANSISTOR	
Q620			2SC4081	TRANSISTOR	
Q621			DTA124EUA	DIGITAL TRANSISTOR	
Q622	2D		2SB1565(E,F)	TANSISTOR	
Q624			DTC144EUA	DIGITAL TRANSISTOR	

K : KDC-X615 K1: KDC-6015 M1: KDC-7016
E1: KDC-6080R E2: KDC-6080RY E3: KDC-6080RV

PARTS LIST

*New Parts

Parts without **Parts No.** are not supplied.

Les articles non mentionnes dans le **Parts No.** ne sont pas fournis.

Teile ohne **Parts No.** werden nicht geliefert.

MAIN UNIT

Ref. No.	Ad	New	Parts No.	Description	Destination
Q625 TH500		*	2SC4081 TH470	TRANSISTOR THERMISTOR	
TU100 TU100	2D 2D		X86-3160-11 X86-3162-70	FRONT-END UNIT FRONT-END UNIT	KK1M1 E1E2E3
SW UNIT					
CN800		*	E4-0069-08	PIN ASSY (4P)	
S800,801	2D	*	S68-0850-08	PUSH SWITCH	
CONTROL UNIT					
290	2C	*	B11-1308-08	COLOR FILTER (BLUE)	E3
291	3C	*	B11-1311-08	COLOR FILTER (PINK)	E3
292	3C	*	B11-1305-08	OPTICAL DIFFUSER	E1E2
292	3C	*	B11-1305-08	OPTICAL DIFFUSER	KK1M1
292	3C	*	B11-1310-08	OPTICAL DIFFUSER	E3
293	3C	*	B11-1306-08	REFLECTION SHEET	
294	3C	*	B19-2040-08	LIGHTING BOARD	E1E2
294	3C	*	B19-2040-08	LIGHTING BOARD	KK1M1
294	3C	*	B19-2042-08	LIGHTING BOARD	E3
D900,901			B30-1571-05	LED (WHT)	
D902-918			B30-1562-05	LED	
D919			B30-1545-05	LED	
D923			B30-1571-05	LED (WHT)	
LCD900	3C	*	B38-1045-08	LIQUID CRYSTAL	E1E2
LCD900	3C	*	B38-1045-08	LIQUID CRYSTAL	KK1M1
LCD900	3C	*	B38-1046-08	LIQUID CRYSTAL	E3
C900		*	C90-5327-08	CHIP-TAN 10UF 16WV	
C902			CK73GB1H681K	CHIP C 680PF K	
C903-905			CK73FB1E104K	CHIP C 0.10UF K	
C906		*	C90-5327-08	CHIP-TAN 10UF 16WV	
C908,909			CK73FB1E104K	CHIP C 0.10UF K	
C910			CK73GB1H103K	CHIP C 0.010UF K	
C911			CK73FB1E104K	CHIP C 0.10UF K	
295	3C	*	E29-1818-08	CONDUCTIVE RUBBER	
CN900			E59-0833-05	RECTANGULAR RECEPTACLE (13P)	
R900,901			RK73GB1J101J	CHIP R 100 J 1/16W	
R902,903			RK73GB1J102J	CHIP R 1.0K J 1/16W	
R904-906			RK73GB1J101J	CHIP R 100 J 1/16W	
R907,908			RK73GB1J472J	CHIP R 4.7K J 1/16W	
R909			RK73GB1J100J	CHIP R 10 J 1/16W	
R910			RK73GB1J433J	CHIP R 43K J 1/16W	
R911			RK73GB1J473J	CHIP R 47K J 1/16W	
R912			RK73GB1J102J	CHIP R 1.0K J 1/16W	
R913			RK73FB2A102J	CHIP R 1.0K J 1/10W	
R914			RK73EB2B271J	CHIP R 270 J 1/8W	
R915-919			RK73EB2B361J	CHIP R 360 J 1/8W	
R920-923			RK73FB2A102J	CHIP R 1.0K J 1/10W	
R925-928			RK73GB1J472J	CHIP R 4.7K J 1/16W	
R929			RK73FB2A751J	CHIP R 750 J 1/10W	
R930			RK73GB1J472J	CHIP R 4.7K J 1/16W	
R931,932			RK73EB2B102J	CHIP R 1.0K J 1/8W	
RN900,901			R90-0724-05	MULTI-COMP 1K X4	

Ref. No.	Ad	New	Parts No.	Description	Destination
D921 D922 IC900 IC901 Q900		*	MA4091(N)-L DA204K LC75808E RS-171 DTA124EUA	ZENER DIODE DIODE MOS-IC ANALOG IC DIGITAL TRANSISTOR	
Q901,902 Q903 Q904,905			2SD2114K DTA124EUA 2SC4081	TRANSISTOR DIGITAL TRANSISTOR TRANSISTOR	
CD PLAYER UNIT (X32-4720-00)					
C1 ,2			CK73FB1A105K	CHIP C 1.0UF K	
C3			C92-1359-05	CHIP-TAN 10UF 16WV	
C4			C92-0566-05	CHIP-TAN 10UF 6.3WV	
C5			CC73FCH1H330J	CHIP C 33PF J	
C6			CC73FCH1H030C	CHIP C 3.0PF C	
C7			CK73FB1C104K	CHIP C 0.10UF K	
C8			CK73FB1A105K	CHIP C 1.0UF K	
C9			CC73FCH1H101J	CHIP C 100PF J	
C10			CK73FB1H472K	CHIP C 4700PF K	
C11			CK73FB1H682K	CHIP C 6800PF K	
C12			CK73FB1H222K	CHIP C 2200PF K	
C13			CK73FB1H273K	CHIP C 0.027UF K	
C14			CK73FB1H472K	CHIP C 4700PF K	
C15			CK73FB1E473K	CHIP C 0.047UF K	
C16			CC73FCH1H101J	CHIP C 100PF J	
C17			CK73FB1H472K	CHIP C 4700PF K	
C18			CK73FB1H471K	CHIP C 470PF K	
C19 ,20			CK73FB1C104K	CHIP C 0.10UF K	
C21			C92-1359-05	CHIP-TAN 10UF 16WV	
C22			CK73FB1C104K	CHIP C 0.10UF K	
C23			CK73FB1H102K	CHIP C 1000PF K	
C24			CK73FB1H223K	CHIP C 0.022UF K	
C25			CK73FB1H123K	CHIP C 0.012UF K	
C26			CK73FB1A105K	CHIP C 1.0UF K	
C28			CK73FB1A105K	CHIP C 1.0UF K	
C29			CK73FB1C104K	CHIP C 0.10UF K	
C31 ,32			CK73FB1H103K	CHIP C 0.010UF K	
C33			CK73FB1C104K	CHIP C 0.10UF K	
C34			CK73EB1A335K	CHIP C 3.3UF K	
C35			CK73FB1C104K	CHIP C 0.10UF K	
C41			CK73EB1C225K	CHIP C 2.2UF K	
C43			CK73FB1H123K	CHIP C 0.012UF K	
C44			CK73FB1C104K	CHIP C 0.10UF K	
C45			CK73FB1H123K	CHIP C 0.012UF K	
C46			CK73FB1E473K	CHIP C 0.047UF K	
C51			CK73EB1A335K	CHIP C 3.3UF K	
C55			CK73FB1C104K	CHIP C 0.10UF K	
C63			C92-1359-05	CHIP-TAN 10UF 16WV	
C67 ,68			CK73FB1A105K	CHIP C 1.0UF K	
C71 ,72			CK73FB1H471K	CHIP C 470PF K	
C77 ,78			CC73FCH1H680J	CHIP C 68PF J	
C79 ,80			C93-1044-05	CERAMIC 2200PF K	
C85			CK73FB1C104K	CHIP C 0.10UF K	
CN1			E40-9536-05	FLAT CABLE CONNECTOR (16P)	
CN2			E40-9339-05	FLAT CABLE CONNECTOR (22P)	

K : KDC-X615 K1: KDC-6015 M1: KDC-7016
E1: KDC-6080R E2: KDC-6080RY E3: KDC-6080RV

KDC-X615,6015 KDC-6080R/RV/RV,7016

PARTS LIST

*New Parts

Parts without **Parts No.** are not supplied.

Les articles non mentionnes dans le **Parts No.** ne sont pas fournis.

Teile ohne **Parts No.** werden nicht geliefert.

CD PLAYER UNIT (X32-4720-00)

Ref. No.	A d d	N e w	Parts No.	Description	Dest inati on
L1			L40-1001-78	SMALL FIXED INDUCTOR(10UH)	
L2			L92-0308-05	FERRITE CORE	
X1			L78-0572-05	RESONATOR (16.93MHZ)	
CP1 -3			R90-1019-05	MULTI-COMP 100 X2	
R1 ,2			RK73FB2A333J	CHIP R 33K J 1/10W	
R3			RK73FB2A823J	CHIP R 82K J 1/10W	
R5			RK73FB2A910J	CHIP R 91 J 1/10W	
R6			RK73FB2A823J	CHIP R 82K J 1/10W	
R8			RK73EB2B4R7J	CHIP R 4.7 J 1/8W	
R9			RK73EB2B100J	CHIP R 10 J 1/8W	
R10 ,11			RK73FB2A682J	CHIP R 6.8K J 1/10W	
R12			RK73FB2A432J	CHIP R 4.3K J 1/10W	
R13			RK73FB2A363J	CHIP R 36K J 1/10W	
R14 ,15			RK73FB2A824J	CHIP R 820K J 1/10W	
R16			RK73FB2A223J	CHIP R 22K J 1/10W	
R17			RK73FB2A363J	CHIP R 36K J 1/10W	
R18			RK73FB2A392J	CHIP R 3.9K J 1/10W	
R19			RK73FB2A273J	CHIP R 27K J 1/10W	
R20			RK73FB2A104J	CHIP R 100K J 1/10W	
R21			RK73FB2A224J	CHIP R 220K J 1/10W	
R22 ,23			RK73FB2A333J	CHIP R 33K J 1/10W	
R31			RK73FB2A102J	CHIP R 1.0K J 1/10W	
R32			RK73FB2A104J	CHIP R 100K J 1/10W	
R34			RK73FB2A683J	CHIP R 68K J 1/10W	
R35			RK73FB2A104J	CHIP R 100K J 1/10W	
R36			RK73FB2A151J	CHIP R 150 J 1/10W	
R37			RK73FB2A471J	CHIP R 470 J 1/10W	
R38			RK73FB2A224J	CHIP R 220K J 1/10W	
R44			RK73FB2A512J	CHIP R 5.1K J 1/10W	
R45			RK73FB2A103J	CHIP R 10K J 1/10W	
R46			RK73FB2A102J	CHIP R 1.0K J 1/10W	
R47			RK73FB2A103J	CHIP R 10K J 1/10W	
R49			RK73FB2A472J	CHIP R 4.7K J 1/10W	
R50			RK73FB2A102J	CHIP R 1.0K J 1/10W	
R52			RK73FB2A104J	CHIP R 100K J 1/10W	
R54			RK73FB2A104J	CHIP R 100K J 1/10W	
R71			RK73FB2A103J	CHIP R 10K J 1/10W	
R72			RK73FB2A102J	CHIP R 1.0K J 1/10W	
R73			RK73FB2A473J	CHIP R 47K J 1/10W	
R74			RK73FB2A103J	CHIP R 10K J 1/10W	
R75			RK73FB2A333J	CHIP R 33K J 1/10W	
R76			RK73FB2A622J	CHIP R 6.2K J 1/10W	
R77			RK73FB2A563J	CHIP R 56K J 1/10W	
R78			RK73FB2A243J	CHIP R 24K J 1/10W	
R79			RK73FB2A242J	CHIP R 2.4K J 1/10W	
R80			RK73FB2A202J	CHIP R 2.0K J 1/10W	
R81			RK73FB2A333J	CHIP R 33K J 1/10W	
R82			RK73FB2A103J	CHIP R 10K J 1/10W	
R83			RK73FB2A102J	CHIP R 1.0K J 1/10W	
R101,102			RK73FB2A332J	CHIP R 3.3K J 1/10W	
R103,104			RK73FB2A562J	CHIP R 5.6K J 1/10W	
R107,108			RK73FB2A331J	CHIP R 330 J 1/10W	
R117,118			RK73FB2A203J	CHIP R 20K J 1/10W	
R121,122			RK73FB2A203J	CHIP R 20K J 1/10W	

Ref. No.	A d d	N e w	Parts No.	Description	Dest inati on
R125,126			RK73FB2A203J	CHIP R 20K J 1/10W	
R202			RK73FB2A102J	CHIP R 1.0K J 1/10W	
R216,217			RK73FB2A155J	CHIP R 1.5M J 1/10W	
R218			RK73FB2A473J	CHIP R 47K J 1/10W	
R219			RK73FB2A472J	CHIP R 4.7K J 1/10W	
R229			RK73FB2A103J	CHIP R 10K J 1/10W	
W4			R92-2052-05	CHIP R 0 J 1/10W	
W8			R92-2052-05	CHIP R 0 J 1/10W	
S1 ,2			S68-0838-05	PUSH SWITCH	
S3			S68-0823-05	PUSH SWITCH	
D1 ,2			DAN202U	DIODE	
D3			DA204K	DIODE	
D4			DAN202U	DIODE	
IC1			AN8806SB	ANALOGUE IC	
IC2			MN62773KB3	MOS-IC	
IC4			BA5917AFP	ANALOGUE IC	
IC5			TA78L05F	IC(VOLTAGE REGULATOR/ +5V)	
IC6			NJM4565MD	IC(OP AMP X2)	
Q1			2SB1188	TRANSISTOR	
Q2			DTC124EUA	DIGITAL TRANSISTOR	
Q3 ,4			2SA1362(Y)	TRANSISTOR	
Q5			DTC124EUA	DIGITAL TRANSISTOR	
Q8			DTC124EUA	DIGITAL TRANSISTOR	

CD MECHANISM ASSY (X92-3700-01)

1	2A	A10-4482-01	CHASSIS
2	1B	A10-4225-33	CHASSIS CALKING ASSY
3	2B	A11-0915-43	SUB CHASSIS CALKING ASSY
5	2A	D10-3082-13	ARM
6	2A	D10-4306-04	ARM ASSY
7	2A	D10-4305-04	ARM ASSY
8	3A	D10-3087-44	ARM ASSY
9	3B	D10-3092-03	SLIDER
10	3B	D10-3093-04	SLIDER ASSY
11	2B	D10-3095-04	SLIDER ASSY
12	2B	D10-3096-04	SLIDER ASSY
13	1A	D10-3099-24	SLIDER ASSY
14	1A	D10-3100-04	SLIDER ASSY
16	1B	D10-4004-04	LEVER ASSY
17	1B	D10-4006-04	LEVER
18	1A	D10-4007-04	LEVER
19	2B	D10-4008-14	LEVER
20	2A	D10-4009-23	ARM
21	3A	D10-4010-04	LEVER
22	3A	D10-4011-34	LEVER ASSY
23	3A	D10-4013-14	ARM ASSY
24	3B	D10-4050-04	ARM
25	3A	D10-4038-23	ARM ASSY
26	2A	D10-4123-24	LEVER ASSY
27	3A	D13-1340-13	RACK (GEAR)
29	3B	D13-1231-04	GEAR
30	3A	D13-1240-04	GEAR
31	3B	D13-1233-04	GEAR
32	3B	D13-1234-14	GEAR ASSY

K : KDC-X615 K1: KDC-6015 M1: KDC-7016
E1: KDC-6080R E2: KDC-6080RV E3: KDC-6080RV

PARTS LIST

*New Parts

Parts without **Parts No.** are not supplied.

Les articles non mentionnes dans le **Parts No.** ne sont pas fournis.

Teile ohne **Parts No.** werden nicht geliefert.

CD MECHANISM ASSY (X92-3700-01)

Ref. No.	A d d	N e w	Parts No.	Description	Dest inati on
33	3A		D13-1238-03	GEAR	
34	3B		D13-1232-04	GEAR	
35	3B		D13-1241-04	GEAR	
36	3A		D13-1242-04	GEAR	
37	1B		D13-1243-04	GEAR	
38	1B		D13-1244-04	GEAR	
39	1B		D13-1245-14	GEAR	
40	2A		D13-1246-04	GEAR	
41	2B		D13-1247-04	GEAR	
43	2B		D13-1249-04	GEAR ASSY	
44	2B		D13-1341-04	GEAR ASSY (LEAD SCREW)	
45	1B		D14-0668-04	ROLLER	
46	2A		D14-0670-04	ROLLER	
47	3B		D14-0674-04	ROLLER	
49	3A		D21-2228-14	SHAFT	
50	1A		D21-2229-04	SHAFT	
51	1A		D23-0925-24	RETAINER	
52	2A		D32-0614-04	STOPPER	
53	1B		D39-0223-05	DAMPER (YELLOW)	
54	2B		D39-0224-05	DAMPER (BLACK)	
55	3B		F09-1246-04	SHEET	
58	3B		F09-1266-14	SHEET	
60	2A		G01-2770-04	EXTENSION SPRING	
61	3A		G01-2771-04	EXTENSION SPRING	
62	3A		G01-2772-24	EXTENSION SPRING	
63	3A		G01-2773-14	EXTENSION SPRING	
64	3A		G01-2774-34	EXTENSION SPRING	
65	1B		G01-2775-04	TORSION COIL SPRING	
66	1B		G01-2776-14	TORSION COIL SPRING	
67	3B		G01-2777-24	TORSION COIL SPRING	
69	2A		G01-2844-04	EXTENSION SPRING	
70	2A		G02-1231-04	FLAT SPRING	
71	2B		G02-1232-14	FLAT SPRING	
72	2A		G02-1241-24	FLAT SPRING	
73	2A		G02-1248-14	FLAT SPRING	
75	2A		J11-0613-13	CLAMPER	
76	3A		J19-4678-13	HOLDER	
77	2B		J19-4679-24	HOLDER	
78	3B		J21-7684-13	MOUNTING HARDWARE	
79	2B		J21-7686-13	MOUNTING HARDWARE	
80	1B		J21-7690-03	MOUNTING HARDWARE	
81	3A		J31-1032-04	COLLAR	
82	3A		J84-0107-05	FLEXIBLE PRINTED WIRING BOARD	
83	1A		J90-0757-22	GUIDE	
A	2A		N09-4249-05	MACHINE SCREW (M1.7X2.5,LOCK)	
B	1B		N09-4172-05	TAPPING SCREW (2X3.5,CTITE)	
C	2B		N09-4202-05	STEPPED SCREW	
D	2A		N38-2020-46	PAN HEAD MACHIN SCREW	
E	3A		N09-4294-05	TAPTITE SCREW (BIND P TAPTIT)	
F	3B		N19-2023-04	FLAT WASHER	
G	2A		N19-2058-04	FLAT WASHER	
H	3A		N19-2093-04	FLAT WASHER	
J	2A		N39-2020-46	PAN HEAD MACHIN SCREW	

Ref. No.	A d d	N e w	Parts No.	Description	Dest inati on
DM1	3B		T42-0764-04	DC MOTOR ASSY (SPINDLE)	
DM2	3B		T42-0763-04	DC MOTOR ASSY (LOADING)	
DPU1	2B		T25-0215-05	OPTICAL PICKUP HEAD	