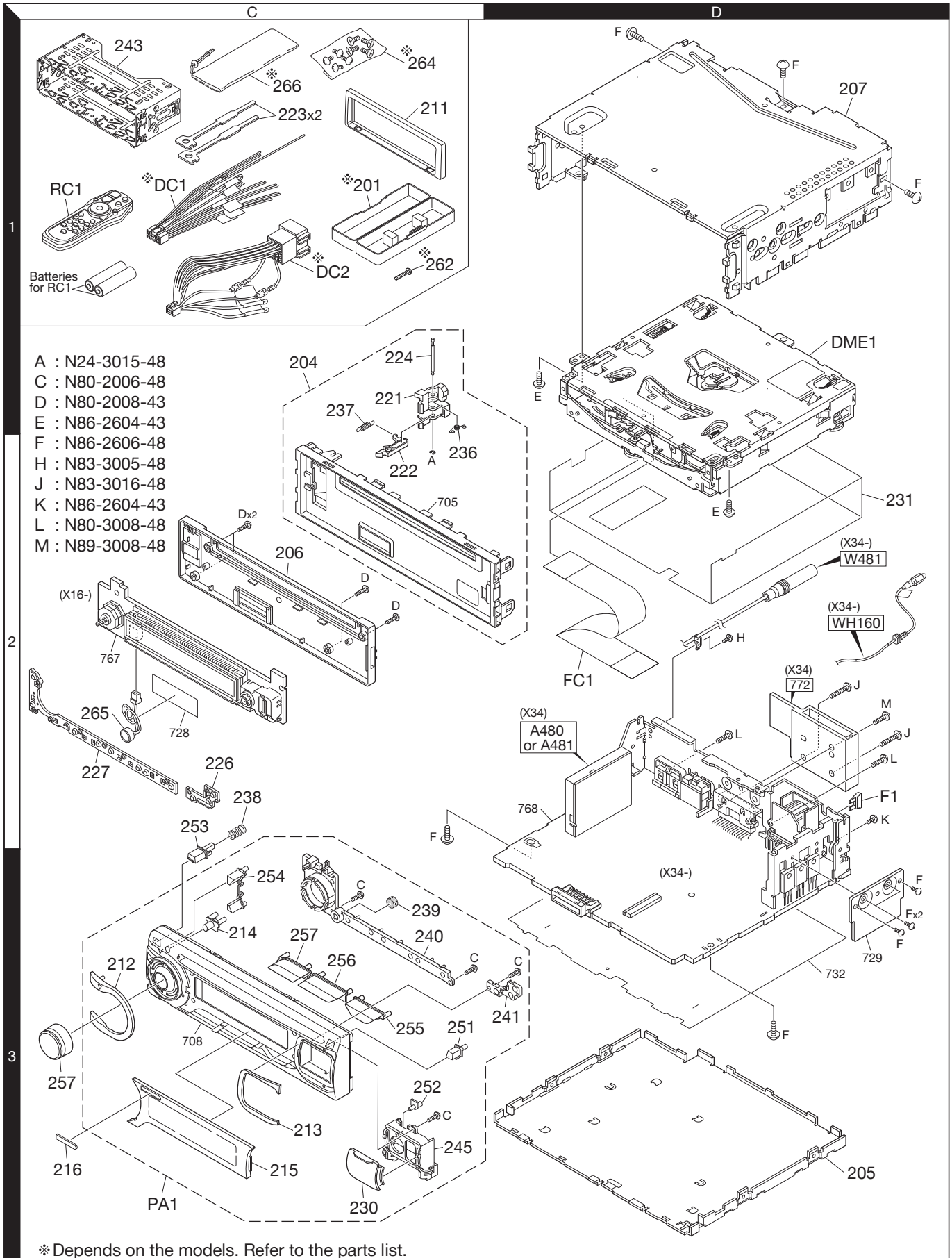


EXPLODED VIEW (UNIT)



Parts with the exploded numbers larger than 700 are not supplied.

PARTS LIST

* New parts

Parts without **Parts No.** are not supplied.

Les articles non mentionnés dans le **Parts No.** ne sont pas fournis.

Teile ohne **Parts No.** werden nicht geliefert.

Ref. No.	A d	N e w	Parts No.	Description	Desti- nation
KDC-BT6544U/BT6544UY/BT7043U/BT742U					
201	1C		A02-2755-23	PLASTIC CABINET ASSY	M1
204	1C	*	A22-3204-03	SUB PANEL ASSY	
205	3D	*	A40-1362-02	BOTTOM PLATE	
206	2C	*	A46-1885-01	REAR COVER	
207	1D	*	A52-1109-01	TOP COVER	
PA1	3C	*	A64-4735-02	PANEL ASSY	K
PA1	3C	*	A64-4736-02	PANEL ASSY	E1E2
PA1	3C	*	A64-4738-02	PANEL ASSY	M1
RC1	1C		A70-2085-15	REMOTE CONTROLLER ASSY (RC-547)	
-		*	B64-4314-00	INST. MANUAL (ENG.FRE.SPA.)	K
-		*	B64-4316-00	INST. MANUAL (ENG.T-CHI.ARA.)	M1
-		*	B64-4317-00	INST. MANUAL (ENGLISH)	E1E2
-		*	B64-4318-00	INST. MANUAL (FRE.GER.DUT.)	E1
-		*	B64-4319-00	INST. MANUAL (ITA.SPA.POR.)	E1
-		*	B64-4320-00	INST. MANUAL (RUSSIAN)	E2
211	1C	*	B07-3244-01	ESCUTCHEON (ACCESSORY)	K
211	1C	*	B07-3245-01	ESCUTCHEON (ACCESSORY)	E1E2M1
212	3C	*	B07-3279-03	ESCUTCHEON (L)	M1
212	3C	*	B07-3280-03	ESCUTCHEON (L)	E1E2
212	3C	*	B07-3312-03	ESCUTCHEON (L)	K
213	3C	*	B07-3289-03	ESCUTCHEON (R)	E1E2M1
213	3C	*	B07-3291-03	ESCUTCHEON (R)	K
214	3C	*	B10-5205-04	FRONT GLASS (REMOTE)	
215	3C	*	B10-5215-01	FRONT GLASS (PANEL)	K
215	3C	*	B10-5216-01	FRONT GLASS (PANEL)	E1E2
215	3C	*	B10-5217-01	FRONT GLASS (PANEL)	M1
216	3C	*	B43-1545-04	BADGE	
221	1C		D10-4446-03	LEVER	
222	2C		D10-4447-03	LEVER	
223	1C		D10-7049-04	LEVER (ACCESSORY)	
224	1C		D21-2329-04	SHAFT	
226	2C	*	E29-2132-03	CONDUCTIVE RUBBER (R)	
227	2C	*	E29-2133-02	CONDUCTIVE RUBBER (L)	
△ DC1	1C		E30-6428-05	DC CORD	KM1
△ DC2	1C		E30-6671-05	DC CORD	E1E2
FC1	2D	*	E39-1055-05	FLAT CABLE	
230	3C	*	F07-2205-02	COVER	
231	2D		F11-1870-13	SHIELDING COVER	
△ F1	2D		F52-0023-05	FUSE (MINI BLADE TYPE) (10A)	
236	2C		G01-2987-04	TORSION COIL SPRING	
237	1C		G01-4662-04	EXTENSION SPRING	
238	2C		G01-3244-04	COMPRESSION SPRING (REL)	
239	3C	*	G11-3778-04	CUSHION (MIC)	
-		*	H54-4530-03	ITEM CARTON CASE	K
-		*	H54-4531-03	ITEM CARTON CASE	E1
-		*	H54-4532-03	ITEM CARTON CASE	E2
-		*	H54-4533-03	ITEM CARTON CASE	M1
240	3C	*	J19-7234-02	HOLDER (L)	
241	3D	*	J19-7235-03	HOLDER (R)	
243	1C		J22-0789-03	MOUNTING HARDWARE ASSY	
245	3C	*	J90-1175-02	GUIDE	

Ref. No.	A d	N e w	Parts No.	Description	Desti- nation
251	3C	*	K24-4976-04	PUSH KNOB (EJECT)	
252	3C	*	K24-4977-04	PUSH KNOB (RESET)	
253	2C	*	K24-4982-04	PUSH KNOB (RELEASE)	
254	3C	*	K25-1944-03	PUSH KNOB (PLAY)	
255	3C	*	K24-4978-03	PUSH KNOB (SRC)	
256	3C	*	K24-4979-03	PUSH KNOB (FAVORITE)	
257	3C	*	K24-4980-03	PUSH KNOB (SEARCH)	
257	3C	*	K28-0353-04	KNOB ASSY (VOL)	
262	1C		N84-4016-48	PAN HEAD TAPTITE SCREW	KM1
264	1C		N99-1757-15	SCREW SET	KM1
A	2C		N24-3015-48	E TYPE RETAINING RING	
C	3C		N80-2006-48	PAN HEAD TAPTITE SCREW	
D	2C		N80-2008-43	PAN HEAD TAPTITE SCREW	
E	1D		N86-2604-43	BINDING HEAD TAPTITE SCREW	
F	1D		N86-2606-48	BINDING HEAD TAPTITE SCREW	
265	2C	*	T91-1006-05	MICROPHONE ASSY	
266	1C		W01-1710-05	CARRYING CASE	KE1E2
DME1	1D	*	X92-6360-00	MECHANISM ASSY (DXM-9B30W)	
SWITCH UNIT (X16-6500-21)					
D51 -63		*	B30-3210-05	LED (1608,BLUE)	
D64			B30-1779-05	LED (1608,SR)	
D65		*	B30-3210-05	LED (1608,BLUE)	
C8			CK73GB1A105K	CHIP C 1.0UF	K
C10			CK73GB1C104K	CHIP C 0.10UF	K
C27			CK73GB1H102K	CHIP C 1000PF	K
C31			CK73GB1C104K	CHIP C 0.10UF	K
C32			CK73GB1H103K	CHIP C 0.010UF	K
C102,103			CK73GB1H102K	CHIP C 1000PF	K
C104			CK73GB1H103K	CHIP C 0.010UF	K
C105,106			CC73GCH1H330J	CHIP C 33PF	J
CN1			E41-1486-05	PIN ASSY	
J1			E59-0855-05	RECTANGULAR PLUG	
J3			E11-0654-05	3.5D PHONE JACK	
J4			E58-1109-05	RECTANGULAR RECEPTACLE	
CP10,11			RK74HB1J101J	CHIP-COM 100	J 1/16W
CP14			RK74HB1J473J	CHIP-COM 47K	J 1/16W
R10			RK73GB2A104J	CHIP R 100K	J 1/10W
R13			RK73GB2A101J	CHIP R 100	J 1/10W
R15			RK73GB2A101J	CHIP R 100	J 1/10W
R17			RK73GB2A104J	CHIP R 100K	J 1/10W
R20			RK73GB2A101J	CHIP R 100	J 1/10W
R21			RK73GB2A104J	CHIP R 100K	J 1/10W
R51			RK73FB2B122J	CHIP R 1.2K	J 1/8W
R52 ,53			RK73FB2B471J	CHIP R 470	J 1/8W
R54 ,55			RK73FB2B122J	CHIP R 1.2K	J 1/8W
R56			RK73EB2E102J	CHIP R 1.0K	J 1/4W
R57 -59			RK73GB2A123J	CHIP R 12K	J 1/10W
R60 -62			RK73GB2A222J	CHIP R 2.2K	J 1/10W
R63			RK73FB2B122J	CHIP R 1.2K	J 1/8W
R74 ,75			RK73PB2H300J	CHIP R 30	J 1/2W
R80			RK73GB2A222J	CHIP R 2.2K	J 1/10W

K : KDC-BT742U M1 : KDC-BT7043U
E1 : KDC-BT6544U E2 : KDC-BT6544UY

△ Indicates safety critical components.

PARTS LIST

SWITCH UNIT (X16-6500-21)

Ref. No.	Add	New	Parts No.	Description	Destination
R81			RK73GB2A223J	CHIP R 22K J 1/10W	
R117,118			RK73GB2A103J	CHIP R 10K J 1/10W	
R120			RK73GB2A103J	CHIP R 10K J 1/10W	
R121-123			RK73FB2B100J	CHIP R 10 J 1/8W	
R124,125			RK73GB2A220J	CHIP R 22 J 1/10W	
W1			R92-2053-05	CHIP R 0 OHM J 1/8W	
S1			S70-0951-05	TACT SWITCH	
D111			DA204U	DIODE	
D114			AVRL1613R3FTA	VARISTOR	
D120			STZ6.8N	ZENER DIODE	
ED1		*	3-BT-263INK	FLUORESCENT INDICATOR TUBE	
IC2			PIC95603	ANALOGUE IC	
Q5			2SC4617	TRANSISTOR	
Q20			KRC404E-P	DIGITAL TRANSISTOR	
Q21			KRA302E-P	DIGITAL TRANSISTOR	
Q22 -24			KRA305-P	DIGITAL TRANSISTOR	
Q51 -53			2SC4617	TRANSISTOR	
CD PLAYER UNIT (X32-6260-00) IN CD MECHA					
C1 ,2			CK73GB1A105K	CHIP C 1.0UF K	
C3			CK73GB1A474K	CHIP C 0.47UF K	
C4 -7			CK73GB1A105K	CHIP C 1.0UF K	
C9			CK73GB1C104K	CHIP C 0.10UF K	
C11			CK73GB1H153K	CHIP C 0.015UF K	
C12			CK73GB1H103K	CHIP C 0.010UF K	
C21			CK73GB1H103K	CHIP C 0.010UF K	
C22			CC73GCH1H220J	CHIP C 22PF J	
C23			CC73GCH1H180J	CHIP C 18PF J	
C24 ,25			CK73GB1H103K	CHIP C 0.010UF K	
C26			CK73FB0J106K	CHIP C 10UF K	
C27			CK73GB1A105K	CHIP C 1.0UF K	
C28			CK73GB1H103K	CHIP C 0.010UF K	
C29			CK73FB0J106K	CHIP C 10UF K	
C30 -33			CK73GB1H103K	CHIP C 0.010UF K	
C34 ,35			CC73GCH1H150J	CHIP C 15PF J	
C36			CK73GB1H103K	CHIP C 0.010UF K	
C37			CK73GB1A105K	CHIP C 1.0UF K	
C38			CK73GB1H103K	CHIP C 0.010UF K	
C51			CK73GB1C104K	CHIP C 0.10UF K	
C52			CK73GB1H222K	CHIP C 2200PF K	
C53			CK73FB1C105K	CHIP C 1.0UF K	
C54			CK73GB1H103K	CHIP C 0.010UF K	
C55			CK73GB1H332K	CHIP C 3300PF K	
C56			CK73GB1C104K	CHIP C 0.10UF K	
C57			CK73GB1H153K	CHIP C 0.015UF K	
C58			CK73GB1C104K	CHIP C 0.10UF K	
C59			CC73GCH1H680J	CHIP C 68PF J	
C61			CK73GB1C104K	CHIP C 0.10UF K	
C62			CK73FB0J106K	CHIP C 10UF K	
C63			CK73GB1H333K	CHIP C 0.033UF K	
C64			CK73GB1H472K	CHIP C 4700PF K	
C65			CK73GB1C104K	CHIP C 0.10UF K	
C66			CK73GB1H153K	CHIP C 0.015UF K	
C67			CK73GB1H103K	CHIP C 0.010UF K	

Ref. No.	Add	New	Parts No.	Description	Destination
C68			CK73GB1C104K	CHIP C 0.10UF K	
C69			CK73FB0J106K	CHIP C 10UF K	
C71			CK73FB0J106K	CHIP C 10UF K	
C73 ,74			CK73GB1H102K	CHIP C 1000PF K	
C75 -77			CK73GB1C104K	CHIP C 0.10UF K	
C78			CK73GB1A105K	CHIP C 1.0UF K	
C79 -81			CK73GB1C104K	CHIP C 0.10UF K	
C83			CC73GCH1H470J	CHIP C 47PF J	
C84			CK73GB1H153K	CHIP C 0.015UF K	
C85			CK73GB1A105K	CHIP C 1.0UF K	
C86			CK73GB1H103K	CHIP C 0.010UF K	
C92			CK73FB1A225K	CHIP C 2.2UF K	
C93			CC73GCH1H101J	CHIP C 100PF J	
C94			CC73GCH1H560J	CHIP C 56PF J	
C101,102			CK73GB1H103K	CHIP C 0.010UF K	
C113			CK73GB1C104K	CHIP C 0.10UF K	
C114			CK73GB1H103K	CHIP C 0.010UF K	
CN1			E41-2954-05	FLAT CABLE CONNECTOR	
CN2			E41-2083-15	FLAT CABLE CONNECTOR	
X1			L77-2964-05	CRYSTAL RESONATOR (9.00MHZ)	
X2			L77-2921-15	CRYSTAL RESONATOR (32.768KHZ)	
X3			L78-1221-05	RESONATOR (16.93MHZ)	
CP10			RK74GA1J101J	CHIP-COM 100 J 1/16W	
CP11,12			RK74GB1J101J	CHIP-COM 100 J 1/16W	
CP15			RK74GB1J103J	CHIP-COM 10K J 1/16W	
CP22			RK74GB1J103J	CHIP-COM 10K J 1/16W	
CP32			RK74GA1J101J	CHIP-COM 100 J 1/16W	
R1 ,2			RK73EB2E4R7J	CHIP R 4.7 J 1/4W	
R3			RK73GB2A202J	CHIP R 2.0K J 1/10W	
R4			RK73GB2A103J	CHIP R 10K J 1/10W	
R10			RK73GB2A000J	CHIP R 0.0 J 1/10W	
R19			RK73GB2A223J	CHIP R 22K J 1/10W	
R21			RK73GB2A102J	CHIP R 1.0K J 1/10W	
R23			RK73GB2A223J	CHIP R 22K J 1/10W	
R24			RK73GB2A101J	CHIP R 100 J 1/10W	
R25			RK73GB2A104J	CHIP R 100K J 1/10W	
R26			RK73GB2A2R2J	CHIP R 2.2 J 1/10W	
R27			RK73GB2A101J	CHIP R 100 J 1/10W	
R28 ,29			RK73GB2A102J	CHIP R 1.0K J 1/10W	
R30			RK73GB2A223J	CHIP R 22K J 1/10W	
R31			RK73GB2A000J	CHIP R 0.0 J 1/10W	
R33			RK73GB2A223J	CHIP R 22K J 1/10W	
R36			RK73GB2A102J	CHIP R 1.0K J 1/10W	
R38			RK73GB2A102J	CHIP R 1.0K J 1/10W	
R41			RK73GB2A223J	CHIP R 22K J 1/10W	
R44			RK73GB2A223J	CHIP R 22K J 1/10W	
R45			RK73GB2A101J	CHIP R 100 J 1/10W	
R47			RK73GB2A000J	CHIP R 0.0 J 1/10W	
R48			RK73GB2A105J	CHIP R 1.0M J 1/10W	
R49			RK73GB2A102J	CHIP R 1.0K J 1/10W	
R50			RK73GB2A223J	CHIP R 22K J 1/10W	
R51			RK73GB2A102J	CHIP R 1.0K J 1/10W	
R52			RK73GB2A100J	CHIP R 10 J 1/10W	

K : KDC-BT742U M1 : KDC-BT7043U
E1 : KDC-BT6544U E2 : KDC-BT6544UY

△ Indicates safety critical components.

PARTS LIST

CD PLAYER UNIT (X32-6260-00) IN CD MECHA

Ref. No.	Add	New	Parts No.	Description	Destination
R53			RK73GB2A153J	CHIP R 15K J 1/10W	
R54			RK73GB2A100J	CHIP R 10 J 1/10W	
R55			RK73GB2A153J	CHIP R 15K J 1/10W	
R57			RK73GB2A223J	CHIP R 22K J 1/10W	
R58 ,59			RK73GB2A101J	CHIP R 100 J 1/10W	
R63			RK73GB2A223J	CHIP R 22K J 1/10W	
R65 ,66			RK73GB2A332J	CHIP R 3.3K J 1/10W	
R67 -69			RK73GB2A101J	CHIP R 100 J 1/10W	
R70			RK73GB2A223J	CHIP R 22K J 1/10W	
R81 ,82			RK73GB2A101J	CHIP R 100 J 1/10W	
R84			RK73GB2A101J	CHIP R 100 J 1/10W	
R86			RK73GB2A101J	CHIP R 100 J 1/10W	
R88			RK73GB2A101J	CHIP R 100 J 1/10W	
R90 -94			RK73GB2A101J	CHIP R 100 J 1/10W	
R95 -98			RK73GB2A223J	CHIP R 22K J 1/10W	
R101			RK73GB2A221J	CHIP R 220 J 1/10W	
R102			RK73GB2A4R7J	CHIP R 4.7 J 1/10W	
R103			RK73GB2A102J	CHIP R 1.0K J 1/10W	
R104			RK73GB2A225J	CHIP R 2.2M J 1/10W	
R105			RK73GB2A104J	CHIP R 100K J 1/10W	
R106			RK73GB2A472J	CHIP R 4.7K J 1/10W	
R107			RK73GB2A560J	CHIP R 56 J 1/10W	
R108			RK73GB2A333J	CHIP R 33K J 1/10W	
R109			RK73GB2A622J	CHIP R 6.2K J 1/10W	
R110			RK73GB2A913J	CHIP R 91K J 1/10W	
R112,113			RK73GB2A4R7J	CHIP R 4.7 J 1/10W	
R115			RK73GB2A105J	CHIP R 1.0M J 1/10W	
R116			RK73GB2A681J	CHIP R 680 J 1/10W	
R117-121			RK73GB2A103J	CHIP R 10K J 1/10W	
R123			RK73GB2A104J	CHIP R 100K J 1/10W	
R127			RK73GB2A153J	CHIP R 15K J 1/10W	
R128			RK73GB2A334J	CHIP R 330K J 1/10W	
R131			RK73GB2A204J	CHIP R 200K J 1/10W	
R132			RK73GB2A101J	CHIP R 100 J 1/10W	
R136			RK73GB2A363J	CHIP R 36K J 1/10W	
R137			RK73GB2A223J	CHIP R 22K J 1/10W	
R139			RK73GB2A393J	CHIP R 39K J 1/10W	
R151			RK73GB2A333J	CHIP R 33K J 1/10W	
R152			RK73GB2A223J	CHIP R 22K J 1/10W	
R173-178			RK73GB2A2R2J	CHIP R 2.2 J 1/10W	
R180			RK73GB2A102J	CHIP R 1.0K J 1/10W	
S1 ,2			S68-0924-05	PUSH SWITCH	
D1			DAP202U	DIODE	
D2 ,3			DA204U	DIODE	
IC1		*	92CD28AFG7C32	MICROCONTROLLER IC	
IC2			TC94A92FG-301	MOS-IC	
IC3			BD8222EFV	ANALOGUE IC	
IC4			MF1341S2162	MICROPROCESSOR IC	
IC5			74AHCT08PW	MOS-IC	
IC6			74LVC08APW	MOS-IC	
IC7			XC6415S001P1	MOS-IC	
IC8			BR24L04FV-W	ROM IC	
IC9			XC6219B332MR	ANALOGUE IC	

Ref. No.	Add	New	Parts No.	Description	Destination
Q3			RUE003N02	FET	
Q5			2SA1577	TRANSISTOR	
Q6			DTC114YUA	DIGITAL TRANSISTOR	
Q7			2SB0970	TRANSISTOR	
Q9			DTC114YUA	DIGITAL TRANSISTOR	
ELECTRIC UNIT (X34-629x-xx)					
C2			CD04AZ1C332M2	ELECTRO 3300UF 16WV	
C3			CK73GB1H103K	CHIP C 0.010UF K	
C4			CK73GB1H102K	CHIP C 1000PF K	
C10			CD04AT1A221M	ELECTRO 220UF 10WV	
C12			CK73GB1H102K	CHIP C 1000PF K	
C22			CD04AS0J101M	ELECTRO 100UF 6.3WV	KE1E2
C23			CK73GB1C104K	CHIP C 0.10UF K	KE1E2
C30			CD04AS0J101M	ELECTRO 100UF 6.3WV	
C31			CD04AS1V100M	ELECTRO 10UF 35WV	
C33			C90-6851-05	ELECTRO 220UF 25WV	
C40			CD04AS1C101M	ELECTRO 100UF 16WV	
C41			CK73GB1A474K	CHIP C 0.47UF K	
C50			CD04AS1C220M	ELECTRO 22UF 16WV	
C52			CK73GB1C104K	CHIP C 0.10UF K	
C70			CK73GB1C104K	CHIP C 0.10UF K	
C71			CK73FB0J106K	CHIP C 10UF K	
C72			CK73GB1A474K	CHIP C 0.47UF K	
C73		*	CK73EB1H475K	CHIP C 4.7UF K	
C74			CK73GB1H102K	CHIP C 1000PF K	
C75			CK73GB1C104K	CHIP C 0.10UF K	
C77			CC73GCH1H331J	CHIP C 330PF J	
C92			CK73GB1H103K	CHIP C 0.010UF K	
C110			CK73GB1H104K	CHIP C 0.10UF K	
C111			CK73GB1A105K	CHIP C 1.0UF K	
C112			CD04AS1H3R3M	ELECTRO 3.3UF 50WV	
C131			CK73GB1A105K	CHIP C 1.0UF K	
C132			CK73GB1H223K	CHIP C 0.022UF K	
C133			CK73GB1H103K	CHIP C 0.010UF K	
C151			CK73GB1C104K	CHIP C 0.10UF K	
C153			CK73GB1C104K	CHIP C 0.10UF K	
C154			CD04BK1A221M	ELECTRO 220UF 10WV	
C204			CK73GB1A105K	CHIP C 1.0UF K	
C206			CD04AS1A330M	ELECTRO 33UF 10WV	
C208			CK73GB1A224K	CHIP C 0.22UF K	
C210			CK73GB1A224K	CHIP C 0.22UF K	
C212			CK73GB1A224K	CHIP C 0.22UF K	
C214			CK73GB1A224K	CHIP C 0.22UF K	
C217			CK73FB1C105K	CHIP C 1.0UF K	
C222			CK73GB1A105K	CHIP C 1.0UF K	
C240,241			CK73GB1A105K	CHIP C 1.0UF K	KE1E2
C242-247			CK73GB1H103K	CHIP C 0.010UF K	KE1E2
C248			CD04AS1H2R2M	ELECTRO 2.2UF 50WV	KE1E2
C249			CK73GB1C104K	CHIP C 0.10UF K	KE1E2
C250-252			CD04AS1V100M	ELECTRO 10UF 35WV	KE1E2
C253-256			CK73GB1C104K	CHIP C 0.10UF K	KE1E2
C257			CC73GCH1H100D	CHIP C 10PF D	KE1E2
C258			CD04AS1V100M	ELECTRO 10UF 35WV	KE1E2
C259			CC73GCH1H100D	CHIP C 10PF D	KE1E2
C260			CK73GB1A105K	CHIP C 1.0UF K	

K : KDC-BT742U M1 : KDC-BT7043U
E1 : KDC-BT6544U E2 : KDC-BT6544UY

△Indicates safety critical components.

PARTS LIST

ELECTRIC UNIT (X34-629x-xx)

Ref. No.	Add	New	Parts No.	Description	Destination	Ref. No.	Add	New	Parts No.	Description	Destination
C261			CK73GB1A474K	CHIP C 0.47UF K		C615			CK73FB1H334K	CHIP C 0.33UF K	
C262,263			CK73GB1A105K	CHIP C 1.0UF K		C616			CD04BK0J331M	ELECTRO 330UF 6.3WV	
C264			CK73GB1A474K	CHIP C 0.47UF K		C618			CK73GB1C104K	CHIP C 0.10UF K	
C265,266			CK73GB1A105K	CHIP C 1.0UF K		CN170			E41-2352-05	FLAT CABLE CONNECTOR	
C269,270			CD04AS1H2R2M	ELECTRO 2.2UF 50WV		CN600			E41-3043-05	PIN ASSY	
C271,272			CK73GB1A105K	CHIP C 1.0UF K		J1			E58-0991-05	RECTANGULAR RECEPTACLE	
C273-275			CD04AS1H2R2M	ELECTRO 2.2UF 50WV		J400			E56-0855-05	CYLINDRICAL RECEPTACLE	
C276			CD04AS1V100M	ELECTRO 10UF 35WV		J420			E63-0960-05	PIN JACK (3-PRE)	
C277			CK73GB1H103K	CHIP C 0.010UF K		J520			E58-1095-05	RECTANGULAR RECEPTACLE	
C278-285			CK73GB1A105K	CHIP C 1.0UF K	KE1E2	W481	2D		E30-6438-05	CORD WITH PLUG (ANT)	
C278,279			CK73GB1A105K	CHIP C 1.0UF K	M1	WH160	2D	*	E30-6870-05	WIRING HARNESS (REMOTE)	
C286			CD04AS1C470M	ELECTRO 47UF 16WV		L1			L33-2365-05	CHOKE COIL ASSY	
C287			CK73GB1H103K	CHIP C 0.010UF K		L70			L33-2462-05	SMALL FIXED INDUCTOR	
C300			CK73GB1C104K	CHIP C 0.10UF K		L71 -73		*	L92-0662-05	CHIP FERRITE	
C301			CK73GB1H103K	CHIP C 0.010UF K		L300			L41-4795-33	SMALL FIXED INDUCTOR (4.7UH)	
C302			CC73GCH1H220J	CHIP C 22PF J		L600			L92-0373-05	CHIP FERRITE	
C303			CC73GCH1H180J	CHIP C 18PF J		X240			L77-3810-05	CRYSTAL RESONATOR (11.2896MHZ)	KE1E2
C305,306			CK73GB0J105K	CHIP C 1.0UF K		X300			L78-0872-05	RESONATOR (12MHZ)	
C307			CK73GB1H102K	CHIP C 1000PF K		X301			L77-2921-15	CRYSTAL RESONATOR (32.768KHZ)	
C310			CK73GB0J105K	CHIP C 1.0UF K		X500			L77-2002-05	CRYSTAL RESONATOR E1E2	
C311,312			CK73GB1H103K	CHIP C 0.010UF K		H	2D		N83-3005-48	PAN HEAD TAPTITE SCREW	
C314			CK73GB1A105K	CHIP C 1.0UF K		J	2D		N83-3016-48	PAN HEAD TAPTITE SCREW	
C315			CK73GB1H103K	CHIP C 0.010UF K		K	2D		N86-2604-43	BINDING HEAD TAPTITE SCREW	
C400			CK73FB1E474K	CHIP C 0.47UF K		L	2D		N80-3008-48	PAN HEAD TAPTITE SCREW	
C401			CD04AT0J470M	ELECTRO 47UF 6.3WV		M	2D		N89-3008-48	BINDING HEAD TAPTITE SCREW	
C402			CK73FB1E474K	CHIP C 0.47UF K		CP240			RK74GA1J101J	CHIP-COM 100 J 1/16W	
C403			CK73GB1H103K	CHIP C 0.010UF K		CP301			RK74HB1J101J	CHIP-COM 100 J 1/16W	
C440			CD04AS1V100M	ELECTRO 10UF 35WV		CP302			RK74HB1J331J	CHIP-COM 330 J 1/16W	
C441,442			CK73GB1H102K	CHIP C 1000PF K		CP303,304			RK74HB1J101J	CHIP-COM 100 J 1/16W	
C443			CD04AS1V100M	ELECTRO 10UF 35WV		CP305			RK74GA1J101J	CHIP-COM 100 J 1/16W	
C450			CD04AS1V100M	ELECTRO 10UF 35WV		CP306			RK74GA1J472J	CHIP-COM 4.7K J 1/16W	
C451,452			CK73GB1H102K	CHIP C 1000PF K		CP307			RK74HB1J101J	CHIP-COM 100 J 1/16W	
C453			CD04AS1V100M	ELECTRO 10UF 35WV		CP308			RK74GA1J101J	CHIP-COM 100 J 1/16W	
C460			CD04AS1V100M	ELECTRO 10UF 35WV		CP310			RK74GA1J104J	CHIP-COM 100K J 1/16W	
C461,462			CK73GB1H102K	CHIP C 1000PF K		CP501			RK74HB1J222J	CHIP-COM 2.2K J 1/16W	E1E2
C463			CD04AS1V100M	ELECTRO 10UF 35WV		R1 ,2			RK73EB2E103J	CHIP R 10K J 1/4W	
C482-485			CK73GB1H103K	CHIP C 0.010UF K	E1E2	R10			RK73GH2A243D	CHIP R 24K D 1/10W	
C500			CK73GB1C104K	CHIP C 0.10UF K	E1E2	R11			RK73GH2A432D	CHIP R 4.3K D 1/10W	
C502			CK73FB1A225K	CHIP C 2.2UF K	E1E2	R12			RK73FB2B221J	CHIP R 220 J 1/8W	
C503			CC73GCH1H271J	CHIP C 270PF J	E1E2	R21			RK73FB2B682J	CHIP R 6.8K J 1/8W	KE1E2
C505			CK73GB1H103K	CHIP C 0.010UF K	E1E2	R30			RK73FB2B822J	CHIP R 8.2K J 1/8W	
C506,507			CC73GCH1H180J	CHIP C 18PF J	E1E2	R31			RK73GB2A223J	CHIP R 22K J 1/10W	
C520			CK73FB1E474K	CHIP C 0.47UF K		R33			RK73FB2B123J	CHIP R 12K J 1/8W	
C522			CD04AT0J470M	ELECTRO 47UF 6.3WV		R40			RK73GB2A104J	CHIP R 100K J 1/10W	
C525			CK73FB1E474K	CHIP C 0.47UF K		R41			RK73EB2E681J	CHIP R 680 J 1/4W	
C530			CK73GB1A224K	CHIP C 0.22UF K		R51			RK73GB2A473J	CHIP R 47K J 1/10W	
C604			CK73GB1C104K	CHIP C 0.10UF K		R52			RK73FB2B272J	CHIP R 2.7K J 1/8W	
C605			CK73GB1A105K	CHIP C 1.0UF K		R71			RK73GH2A133D	CHIP R 13K D 1/10W	
C606			CD04AS1V100M	ELECTRO 10UF 35WV		R72			RK73GH2A823D	CHIP R 82K D 1/10W	
C607,608			CC73GCH1H101J	CHIP C 100PF J		R73			RK73GB2A103J	CHIP R 10K J 1/10W	
C609			CC73GCH1H331J	CHIP C 330PF J		R74			RK73GH2A153D	CHIP R 15K D 1/10W	
C610,611			CK73GB1A105K	CHIP C 1.0UF K		R75			RK73EB2E680J	CHIP R 68 J 1/4W	
C612			CD04AS1V100M	ELECTRO 10UF 35WV		R90 ,91			RK73GB2A103J	CHIP R 10K J 1/10W	
C613			CK73GB1C104K	CHIP C 0.10UF K		R96			RK73GB2A183J	CHIP R 18K J 1/10W	
C614			CK73EB0J226K	CHIP C 22UF K							

K : KDC-BT742U M1 : KDC-BT7043U
E1 : KDC-BT6544U E2 : KDC-BT6544UY

△ Indicates safety critical components.

PARTS LIST

ELECTRIC UNIT (X34-629x-xx)

Ref. No.	A d d	N e w	Parts No.	Description	Desti- nation
R97			RK73GB2A104J	CHIP R 100K J 1/10W	
R98			RK73FB2B203J	CHIP R 20K J 1/8W	
R99			RK73EB2E473J	CHIP R 47K J 1/4W	
R100			RK73FB2B683J	CHIP R 68K J 1/8W	
R101			RK73GB2A473J	CHIP R 47K J 1/10W	
R102-104			RK73EB2E102J	CHIP R 1.0K J 1/4W	
R110,111			RK73PB2H561J	CHIP R 560 J 1/2W	
R112			RK73GB2A223J	CHIP R 22K J 1/10W	
R113,114			RK73PB2H561J	CHIP R 560 J 1/2W	
R115			RK73FB2B472J	CHIP R 4.7K J 1/8W	
R116			RK73GB2A223J	CHIP R 22K J 1/10W	KM1
R117			RK73GB2A000J	CHIP R 0.0 J 1/10W	E1E2
R118,119			RK73PB2H221J	CHIP R 220 J 1/2W	KM1
R120			RK73FB2B472J	CHIP R 4.7K J 1/8W	
R130,131			RK73GB2A104J	CHIP R 100K J 1/10W	
R132			RK73GB2A473J	CHIP R 47K J 1/10W	
R150			RK73GB2A223J	CHIP R 22K J 1/10W	
R160			RK73EB2E471J	CHIP R 470 J 1/4W	
R170			RK73GB2A472J	CHIP R 4.7K J 1/10W	
R171			RK73GB2A000J	CHIP R 0.0 J 1/10W	
R173			RK73GB2A000J	CHIP R 0.0 J 1/10W	
R175			RK73GB2A101J	CHIP R 100 J 1/10W	
R176			RK73GB2A000J	CHIP R 0.0 J 1/10W	
R178			RK73GB2A472J	CHIP R 4.7K J 1/10W	
R179			RK73GB2A101J	CHIP R 100 J 1/10W	
R201			RK73GB2A333J	CHIP R 33K J 1/10W	
R202			RK73GB2A000J	CHIP R 0.0 J 1/10W	
R206			RK73GB2A000J	CHIP R 0.0 J 1/10W	
R207			RK73GB2A104J	CHIP R 100K J 1/10W	
R208			RK73GB2A100J	CHIP R 10 J 1/10W	
R209			RK73GB2A432J	CHIP R 4.3K J 1/10W	
R210			RK73GB2A331J	CHIP R 330 J 1/10W	
R211			RK73GB2A223J	CHIP R 22K J 1/10W	
R213			RK73GB2A133J	CHIP R 13K J 1/10W	
R242-247			RK73GB2A101J	CHIP R 100 J 1/10W	KE1E2
R248			RK73GB2A182J	CHIP R 1.8K J 1/10W	KE1E2
R250			RK73GB2A104J	CHIP R 100K J 1/10W	KE1E2
R260,261			RK73GB2A103J	CHIP R 10K J 1/10W	
R262,263			RK73GB2A101J	CHIP R 100 J 1/10W	
R300			RK73GB2A225J	CHIP R 2.2M J 1/10W	
R302			RK73GB2A103J	CHIP R 10K J 1/10W	
R303-305			RK73GB2A104J	CHIP R 100K J 1/10W	E1E2
R303,304			RK73GB2A104J	CHIP R 100K J 1/10W	KM1
R306			RK73GB2A473J	CHIP R 47K J 1/10W	
R307			RK73GB2A104J	CHIP R 100K J 1/10W	E1E2
R311			RK73GB2A473J	CHIP R 47K J 1/10W	
R312			RK73GB2A101J	CHIP R 100 J 1/10W	
R313			RK73GB2A102J	CHIP R 1.0K J 1/10W	
R314			RK73GB2A223J	CHIP R 22K J 1/10W	E1E2
R315			RK73GB2A222J	CHIP R 2.2K J 1/10W	
R316			RK73GB2A101J	CHIP R 100 J 1/10W	
R317			RK73GB2A102J	CHIP R 1.0K J 1/10W	
R318			RK73GB2A473J	CHIP R 47K J 1/10W	
R319			RK73GB2A103J	CHIP R 10K J 1/10W	
R320			RK73GB2A333J	CHIP R 33K J 1/10W	

Ref. No.	A d d	N e w	Parts No.	Description	Desti- nation
R321			RK73GB2A104J	CHIP R 100K J 1/10W	
R323			RK73GB2A104J	CHIP R 100K J 1/10W	
R324			RK73GB2A472J	CHIP R 4.7K J 1/10W	
R325			RK73GB2A104J	CHIP R 100K J 1/10W	
R326			RK73GB2A472J	CHIP R 4.7K J 1/10W	
R327			RK73GB2A104J	CHIP R 100K J 1/10W	
R328			RK73GB2A392J	CHIP R 3.9K J 1/10W	
R330			RK73GB2A104J	CHIP R 100K J 1/10W	
R331			RK73GB2A222J	CHIP R 2.2K J 1/10W	KM1
R331,332			RK73GB2A222J	CHIP R 2.2K J 1/10W	E1E2
R333			RK73GB2A104J	CHIP R 100K J 1/10W	
R334			RK73GB2A331J	CHIP R 330 J 1/10W	
R335			RK73GB2A392J	CHIP R 3.9K J 1/10W	
R336			RK73GB2A101J	CHIP R 100 J 1/10W	
R337			RK73GB2A471J	CHIP R 470 J 1/10W	
R338			RK73GB2A104J	CHIP R 100K J 1/10W	
R340			RK73GB2A473J	CHIP R 47K J 1/10W	
R341			RK73GB2A102J	CHIP R 1.0K J 1/10W	
R342,343			RK73GB2A101J	CHIP R 100 J 1/10W	
R348			RK73GB2A471J	CHIP R 470 J 1/10W	
R349			RK73GB2A222J	CHIP R 2.2K J 1/10W	
R350,351			RK73GB2A471J	CHIP R 470 J 1/10W	
R352			RK73GB2A223J	CHIP R 22K J 1/10W	E2
R352			RK73GB2A473J	CHIP R 47K J 1/10W	M1
R352,353			RK73GB2A473J	CHIP R 47K J 1/10W	E1
R353			RK73GB2A223J	CHIP R 22K J 1/10W	M1
R353			RK73GB2A473J	CHIP R 47K J 1/10W	KE2
R356			RK73GB2A473J	CHIP R 47K J 1/10W	
R357			RK73GB2A222J	CHIP R 2.2K J 1/10W	
R358			RK73GB2A473J	CHIP R 47K J 1/10W	
R360			RK73GB2A223J	CHIP R 22K J 1/10W	
R361			RK73GB2A104J	CHIP R 100K J 1/10W	
R400,401			RK73EB2E432J	CHIP R 4.3K J 1/4W	
R402			RK73EB2E101J	CHIP R 100 J 1/4W	
R403			RK73EB2E432J	CHIP R 4.3K J 1/4W	
R404			RK73EB2E102J	CHIP R 1.0K J 1/4W	
R405			RK73EB2E101J	CHIP R 100 J 1/4W	
R406			RK73EB2E100J	CHIP R 10 J 1/4W	
R407			RK73EB2E4R7J	CHIP R 4.7 J 1/4W	
R408			RK73EB2E100J	CHIP R 10 J 1/4W	
R409			RK73EB2E102J	CHIP R 1.0K J 1/4W	
R410			RK73EB2E101J	CHIP R 100 J 1/4W	
R411			RK73GB2A102J	CHIP R 1.0K J 1/10W	
R440			RK73FB2B181J	CHIP R 180 J 1/8W	
R441			RK73GB2A331J	CHIP R 330 J 1/10W	
R442,443			RK73GB2A223J	CHIP R 22K J 1/10W	
R444			RK73FB2B181J	CHIP R 180 J 1/8W	
R445			RK73GB2A331J	CHIP R 330 J 1/10W	
R450			RK73FB2B181J	CHIP R 180 J 1/8W	
R451			RK73GB2A331J	CHIP R 330 J 1/10W	
R452,453			RK73GB2A223J	CHIP R 22K J 1/10W	
R454			RK73FB2B181J	CHIP R 180 J 1/8W	
R455			RK73GB2A331J	CHIP R 330 J 1/10W	
R460			RK73FB2B181J	CHIP R 180 J 1/8W	
R461			RK73GB2A331J	CHIP R 330 J 1/10W	

K : KDC-BT742U M1 : KDC-BT7043U
E1 : KDC-BT6544U E2 : KDC-BT6544UY

△Indicates safety critical components.

PARTS LIST

ELECTRIC UNIT (X34-629x-xx)

Ref. No.	Add	New	Parts No.	Description	Destination	Ref. No.	Add	New	Parts No.	Description	Destination
R462,463			RK73GB2A223J	CHIP R 22K J 1/10W		D532-534			UDZW6.8(B)	ZENER DIODE	
R464			RK73FB2B181J	CHIP R 180 J 1/8W		D600			UDZW6.2(B)	ZENER DIODE	
R465			RK73GB2A331J	CHIP R 330 J 1/10W		D603			1SS355	DIODE	
R480,481			RK73GB2A471J	CHIP R 470 J 1/10W		IC10		*	M5237ML-CF0J	ANALOGUE IC	
R482			RK73FB2B821J	CHIP R 820 J 1/8W		IC70		*	LT3685EMSE	ANALOGUE IC	
R483			RK73GB2A223J	CHIP R 22K J 1/10W		IC150			BD6538G	MOS-IC	
R500			RK73GB2A512J	CHIP R 5.1K J 1/10W	E1E2	IC200			E-TDA7851A	ANALOGUE IC	
R505			RK73GB2A102J	CHIP R 1.0K J 1/10W	E1E2	IC240			AK7600VF	MOS-IC	KE1E2
R520			RK73EB2E102J	CHIP R 1.0K J 1/4W		IC241			M24C16-RDWP6P	ROM IC	
R521-524			RK73EB2E101J	CHIP R 100 J 1/4W		IC260			E-TDA7415CB	ANALOGUE IC	
R525,526			RK73EB2E102J	CHIP R 1.0K J 1/4W		IC301			XC6120N362N1	MOS-IC	
R527,528			RK73EB2E101J	CHIP R 100 J 1/4W		IC302		*	30626MHPB93GP	MICROCONTROLLER IC	K
R529			RK73GB2A4R7J	CHIP R 4.7 J 1/10W		IC302		*	30626MHPB94GP	MICROCONTROLLER IC	M1
R530			RK73EB2E102J	CHIP R 1.0K J 1/4W		IC302		*	30626MHPB95GP	MICROCONTROLLER IC	E1E2
R531			RK73EB2E100J	CHIP R 10 J 1/4W		IC303			74HC2G02DP	MOS-IC	
R534			RK73EB2E100J	CHIP R 10 J 1/4W		IC500			E-TDA7478AD	ANALOGUE IC	E1E2
R536			RK73EB2E100J	CHIP R 10 J 1/4W		IC600			NJM4565V-ZB	ANALOGUE IC	
R537			RK73EB2E102J	CHIP R 1.0K J 1/4W		IC601			SI-3033KMS	ANALOGUE IC	
R538			RK73EB2E222J	CHIP R 2.2K J 1/4W		Q10			KRA303-P	DIGITAL TRANSISTOR	
R603			RK73GB2A2R2J	CHIP R 2.2 J 1/10W		Q11			KRC403-P	DIGITAL TRANSISTOR	
R605			RK73GB2A102J	CHIP R 1.0K J 1/10W		Q12			2SB1565	TRANSISTOR	
R606			RK73GB2A123J	CHIP R 12K J 1/10W		Q20			2SC4081	TRANSISTOR	KE1E2
R607			RK73GB2A223J	CHIP R 22K J 1/10W		Q21			2SB1184(Q,R)	TRANSISTOR	KE1E2
R608,609			RK73GB2A103J	CHIP R 10K J 1/10W		Q22			KRA303-P	DIGITAL TRANSISTOR	KE1E2
R610,611			RK73GB2A473J	CHIP R 47K J 1/10W		Q23			KRC403-P	DIGITAL TRANSISTOR	KE1E2
R612,613			RK73GB2A223J	CHIP R 22K J 1/10W		Q30			2SA1576A	TRANSISTOR	
R615,616			RK73GB2A331J	CHIP R 330 J 1/10W		Q31			KRC403-P	DIGITAL TRANSISTOR	
R618,619			RK73GB2A473J	CHIP R 47K J 1/10W		Q32			2SC4081	TRANSISTOR	
R620			RK73GB2A472J	CHIP R 4.7K J 1/10W		Q33			2SB1565	TRANSISTOR	
R630,631			RK73GB2A473J	CHIP R 47K J 1/10W		Q40			2SC4081	TRANSISTOR	
R632			RK73GB2A104J	CHIP R 100K J 1/10W		Q41			2SB1565	TRANSISTOR	
R633			RK73GB2A473J	CHIP R 47K J 1/10W		Q42			KRA303-P	DIGITAL TRANSISTOR	
W80			R92-2053-05	CHIP R 0 OHM J 1/8W		Q43			KRC403-P	DIGITAL TRANSISTOR	
W480			R92-2053-05	CHIP R 0 OHM J 1/8W		Q50			2SC4081	TRANSISTOR	
						Q51			2SB1184(Q,R)	TRANSISTOR	
D1			S2V60-5009F46	DIODE		Q52			KRA303-P	DIGITAL TRANSISTOR	
D20		*	UDZW5.6(B)	ZENER DIODE	KE1E2	Q53			KRC403-P	DIGITAL TRANSISTOR	
D30		*	UDZW5.6(B)	ZENER DIODE		Q90			2SC4081	TRANSISTOR	
D31			D1FJ4	DIODE		Q92,93			2SC4081	TRANSISTOR	
D40			UDZW8.2(B)	ZENER DIODE		Q110			KRC407-P	DIGITAL TRANSISTOR	
D50			UDZW12(B)	ZENER DIODE		Q111			KRA302-P	DIGITAL TRANSISTOR	
D70		*	CMS14	DIODE		Q112			2SA1576A	TRANSISTOR	
D90			UDZW6.2(B)	ZENER DIODE		Q113			2SB1188(Q,R)	TRANSISTOR	E1E2
D92,93			UDZW6.8(B)	ZENER DIODE		Q113,114			2SB1188(Q,R)	TRANSISTOR	KM1
D110			1SS355	DIODE		Q115			KRC407-P	DIGITAL TRANSISTOR	KM1
D111-114			D1F60-5063	DIODE		Q130			KRC404-P	DIGITAL TRANSISTOR	
D130		*	UDZW4.7(B)	ZENER DIODE		Q170			UM6K1N	DUAL FET	
D200			DAP202U	DIODE		Q440			KRC410-P	DIGITAL TRANSISTOR	
D263-265			DAP202U	DIODE		Q441			KRA303-P	DIGITAL TRANSISTOR	
D403			UDZW6.2(B)	ZENER DIODE		Q442			KRC410-P	DIGITAL TRANSISTOR	
D406			UDZW6.2(B)	ZENER DIODE		Q450,451			KRC410-P	DIGITAL TRANSISTOR	
D408-410			UDZW6.8(B)	ZENER DIODE		Q460			KRC410-P	DIGITAL TRANSISTOR	
D421			DA204U	DIODE	KE1E2	Q461			KRA303-P	DIGITAL TRANSISTOR	
D441			DAP202U	DIODE		Q462			KRC410-P	DIGITAL TRANSISTOR	
D461			DAP202U	DIODE		Q480			KRC403-P	DIGITAL TRANSISTOR	

K : KDC-BT742U M1 : KDC-BT7043U
E1 : KDC-BT6544U E2 : KDC-BT6544UY

△ Indicates safety critical components.

PARTS LIST

ELECTRIC UNIT (X34-629x-xx)

Ref. No.	A d d	N e w	Parts No.	Description	Desti- nation
Q481 Q520 Q601 TH200			2SA1577 KRA307-P KRC403-P PRF18BE471QS2	TRANSISTOR DIGITAL TRANSISTOR DIGITAL TRANSISTOR POSITIVE RESISTOR	
A600		*	W02-5337-05	ELECTRIC CIRCUIT MODULE	
A480 A481	2D 2D		X86-4032-70 X86-4230-11	FRONT-END UNIT FRONT-END UNIT	E1E2 KM1
MECHANISM ASSY (X92-6360-00) DXM-9B30W					
1	2B		A10-5450-53	CHASSIS ASSY	
3	3B		A10-5452-41	CHASSIS	
4	1B		A10-5453-32	CHASSIS	
12	3A		D10-4993-52	LEVER	
13	1B		D10-4991-22	ARM	
14	1B		D10-4992-13	ARM	
15	2A		D10-4994-02	SLIDER	
16	2A		D10-4995-03	SLIDER	
17	2B		D10-4996-02	SLIDER	
18	2A		D10-4997-03	LEVER	
19	1A		D10-4998-03	ARM	
20	2A		D10-4999-03	ARM	
21	2A		D10-7001-03	ARM	
22	2A		D10-7002-03	ARM	
23	2A		D10-7003-03	ARM	
24	2A		D13-2445-04	GEAR	
25	2A		D13-2446-04	GEAR	
27	2A		D13-2448-04	GEAR	
28	2A		D13-2449-04	GEAR	
29	2A		D13-2450-04	GEAR	
30	2A		D13-2451-04	GEAR	
31	2A		D13-2452-04	GEAR	
32	2A		D13-2453-04	GEAR	
33	2A		D13-2454-04	GEAR	
34	2A		D13-2455-04	GEAR	
35	2B		D13-2456-03	RACK (GEAR)	
36	2A		D14-1028-04	ROLLER	
37	3A		D21-2507-04	SHAFT	
38	2B		D21-2508-04	SHAFT	
39	3A		D23-0963-04	RETAINER	
40	3B		D39-0277-15	DAMPER	
41	3B		D39-0278-15	DAMPER	
46	1B		G01-4682-34	TORSION COIL SPRING	
47	3A		G01-4683-24	EXTENSION SPRING	
48	2A		G01-4684-04	EXTENSION SPRING	
49	2B		G01-4685-04	EXTENSION SPRING	
50	1B		G01-4686-14	EXTENSION SPRING	
51	3A		G01-4688-14	EXTENSION SPRING	
52	3A		G01-4692-24	TORSION COIL SPRING	
53	2B		G02-1587-04	FLAT SPRING	
54	3A		G02-1588-04	FLAT SPRING	
55	1B		G13-1297-04	CUSHION	
56	1B		G13-1299-14	CUSHION	
57	1A		G16-1715-04	SHEET	

Ref. No.	A d d	N e w	Parts No.	Description	Desti- nation
61	1B		J11-0675-03	CLAMPER	
64	2A		J19-7210-21	HOLDER	
65	2B		J19-7225-04	HOLDER	
66	1B		J22-0706-03	MOUNTING HARDWARE	
67	1A		J22-0707-12	MOUNTING HARDWARE	
68	1B	*	J90-1166-11	GUIDE	
69	2B		J90-1168-03	RAIL	
A	1A		N09-6108-15	TAPTITE SCREW (M2X3.5)	
B	2B		N09-6426-15+	MACHINE SCREW	
C	2B		N09-6735-05	TAPTITE SCREW	
D	2B		N09-6737-15	MACHINE SCREW	
E	2B		N09-6738-15	TAPTITE SCREW	
F	2A		N19-2335-14	FLAT WASHER	
G	2B		N35-2003-48	BINDING HEAD MACHINE SCREW	
H	2B		N39-1720-48	PAN HEAD MACHINE SCREW	
76	2A		S68-0921-05	PUSH SWITCH	
DM1	2B		X94-2090-00	SPINDLE MOTOR ASSY	
DM2	2B		X94-2100-00	FEED MOTOR ASSY (LOAD/SLED)	
DPU1	2B	*	X93-2280-00	OPTICAL PICKUP ASSY	