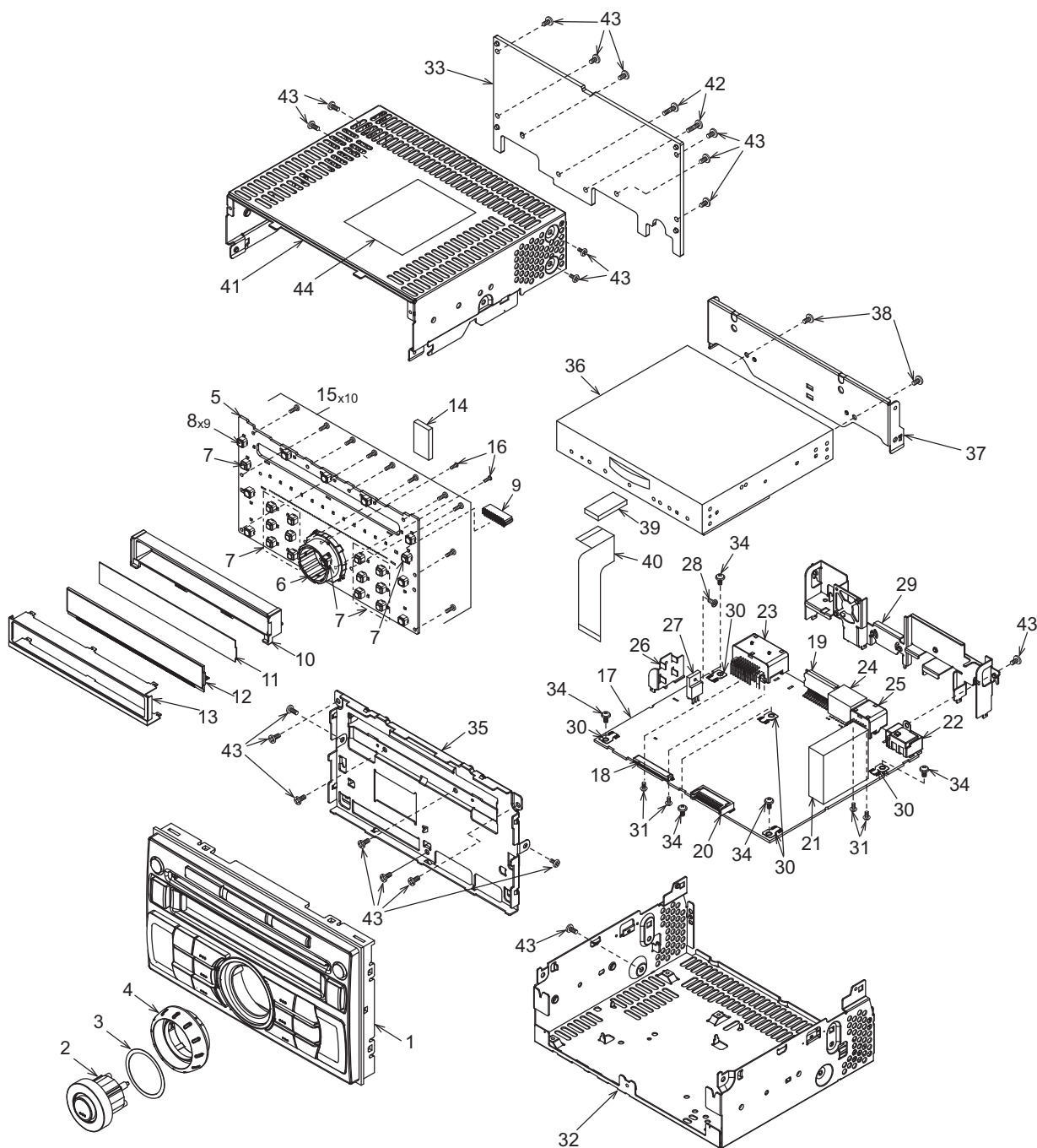


EXPLODED VIEW / PARTS LIST



Some parts are different depending on the model.

NO.	PART NO.	DESCRIPTION	Q'TY
1	940-8186-03 940-8513-04	ES-ASSY (PP-2787H-A) ES-ASSY (PP-2787H-B) (PP-2787H-C)	1
2	947-0693-00	KNOB ASSY	1
3	347-7959-00	SHADE	1
4	380-5701-00	KNOB	1
5	-----	SWITCH PWB	1
6	016-7004-00	ROTARY SWITCH	1
7	013-6201-52	TACT SWITCH	15
8	013-6202-52	TACT SWITCH	9
9	074-3013-72	OUTLET SOCKET (22P)	1
10	335-7693-00	LCD HOLDER	1
11	335-7801-00	LCD LEFLECTOR	1
12	379-1392-52 379-1392-50	INDICATOR (LCD)(PP-2787H-A) INDICATOR (LCD) (PP-2787H-B) (PP-2787H-C)	1
13	331-4166-00	LCD COVER	1
14	345-5923-00	CUSHION RUBBER	1
15	716-0778-52	WAVE SCREW (M2 x 6)	10
16	716-0872-51	PAD SCREW (M1.7 x 6)	2
17	-----	MAIN PWB	1
18	074-1237-79	OUTLET SOCKET (29P)	1
19	051-2042-00	IC(TA8275H)	1
20	076-3011-72	PLUG (22P)	1
21	880-2091M	TUNER PACK	1
22	092-2210-01	ANT RECEPT	1

NO.	PART NO.	DESCRIPTION	Q'TY
23	074-4009-20	OUTLET SOCKET(20P)	1
24	074-1013-00	OUTLET SOCKET(12P)	1
25	074-1302-12	OUTLET SOCKET(12P)	1
26	331-4823-00	TR HOLDER	1
27	051-3340-00	IC(LD1085P)	1
28	716-1494-50	IT SCREW (M2.6 x 6)	1
29	307-0720-00	REAR PLATE	1
30	073-0762-90	TERMINAL	5
31	778-3006-00	SPECIAL T-SCREW (M3 x 6)	4
32	311-1914-00	LOWER CASE	1
33	313-1968-00	HEAT SINK	1
34	716-0878-50	SCREW (M2.6 x 5)	5
35	309-0822-10	ES PLATE (1CD)	1
36	929-5004-83	CD MECH MODULE	1
37	331-4123-00	CD BRKT	1
38	714-2603-89	MACHINE SCREW (M2.6 x 3)	2
39	345-5895-00	CUSHION RUBBER	1
40	816-4025-50	FLAT WIRE	1
41	310-1823-00	UPPER CASE	1
42	735-2614-1B	MACHINE SCREW (M2.6 x 14)	2
43	714-2606-8B	MACHINE SCREW (M2.6 x 6)	19
44	276-0584-38 276-0034-45 276-0034-69	SET PLATE (PP-2787H-A) SET PLATE (PP-2787H-B) SET PLATE (PP-2787H-C)	1

ELECTRICAL PARTS LIST

Main PWB(B1) section

Note)Some parts are different depending on the model.(H-A:PP-2787H-A,H-B:PP-2787H-B,H-C:PP-2787H-C)
Please refer to the circuit diagram for the difference parts.

REF No.	PART No.	DESCRIPTION	REF No.	PART No.	DESCRIPTION	REF No.	PART No.	DESCRIPTION
ANT101	092-2210-01	ANT-RECEPT	C338	168-1022-55	1000pF K	C547	178-1052-78	25V 1uF
BL101	880-2091M	TUNER	C339	168-1022-55	1000pF K	C548	163-4763-35	16V 47uF
C108	119-0000-05	1/10W 0 ohm JW	C341	168-4712-55	470pF K	C549	163-2273-25	10V 220uF
C109	166-2201-50	22pF CH	C342	168-1042-78	16V 0.1uF K	C550	168-2212-55	220pF K
C119	168-1022-55	1000pF K	C343	168-1022-55	1000pF K	C551	166-2201-50	22pF CH
C122	163-1073-35	16V 100uF	C344	163-2263-35	16V 22uF	C552	042-0592-61	16V 47uF
C123	168-2222-55	2200pF K	C345	168-3322-55	3300pF K	C553	042-0592-61	16V 47uF
C124	168-1022-55	1000pF K	C346	168-3322-55	3300pF K	C554	189-3383-31	16V 3300uF
C127	168-1022-55	1000pF K	C347	168-3322-55	3300pF K	C556	043-0499-51	50V 0.1uF J
C128	168-1022-55	1000pF K	C348	168-3322-55	3300pF K	C557	163-4763-35	16V 47uF
C130	168-1022-55	1000pF K	C350	042-0643-58	6.3V 330uF	C559	168-6822-55	6800pF K
C131	163-1073-35	16V 100uF	C352	168-2222-55	2200pF K	C560	168-6822-55	6800pF K
C138	178-3342-78	0.33uF	C353	168-2222-55	2200pF K	C561	168-6822-55	6800pF K
C140	163-1063-35	16V 10uF	C354	168-2222-55	2200pF K	C562	168-6822-55	6800pF K
C201	163-1063-35	16V 10uF	C355	168-2222-55	2200pF K	C563	168-6822-55	6800pF K
C202	163-1063-35	16V 10uF	C356	163-1073-15	6.3V 100uF	C564	042-0427-94	16V 47uF TAN
C203	163-1063-35	16V 10uF	C357	168-3322-55	3300pF K	C565	168-6822-55	6800pF K
C204	163-1063-35	16V 10uF	C358	168-3322-55	3300pF K	C566	168-6822-55	6800pF K
C210	168-1022-55	1000pF K	C359	168-1022-55	1000pF K	C567	168-1042-78	16V 0.1uF K
C211	168-1022-55	1000pF K	C401	168-1042-78	16V 0.1uF K	C568	168-6822-55	6800pF K
C212	168-1022-55	1000pF K	C402	168-1042-78	16V 0.1uF K	C569	168-6822-55	6800pF K
C213	168-3332-78	0.033uF K	C403	166-1011-50	100pF CH (H-B/H-C)	C570	168-1042-78	16V 0.1uF K
C214	168-3332-78	0.033uF K	C404	166-1201-50	12pF CH	C571	163-1073-35	16V 100uF
C215	168-4722-55	4700pF K	C405	163-4763-35	16V 47uF (H-B/H-C)	C572	178-1052-78	25V 1uF
C216	168-4722-55	4700pF K	C406	166-1201-50	12pF CH	C573	168-1042-78	16V 0.1uF K
C217	168-1042-78	16V 0.1uF K	C407	168-1042-78	16V 0.1uF K	C574	163-1063-35	16V 10uF
C221	168-1042-78	16V 0.1uF K	C408	163-4763-15	6.3V 47uF	C575	168-2232-55	0.022uF K
C223	163-1073-35	16V 100uF	C409	168-1042-78	16V 0.1uF K	C577	166-4701-50	47pF CH
C225	168-1042-78	16V 0.1uF K	C410	166-1011-50	100pF CH (H-B/H-C)	CCT301	050-0145-52	1/16W 1k ohm x4
C226	042-0423-97	16V 10uF	C411	166-1801-50	18pF CH (H-B/H-C)	CCT401	050-0145-52	1/16W 1k ohm x4
C228	163-2273-25	10V 220uF	C412	168-1032-55	0.01uF K	CCT402	050-0145-52	1/16W 1k ohm x4
C230	168-1042-78	16V 0.1uF K	C501	178-1052-78	25V 1uF	CCT403	050-0145-52	1/16W 1k ohm x4
C231	163-1063-35	16V 10uF	C502	178-1052-78	25V 1uF	CCT404	050-0145-52	1/16W 1k ohm x4
C232	163-1063-35	16V 10uF	C503	178-1052-78	25V 1uF	D106	001-0516-90	MA111
C233	168-1042-78	16V 0.1uF K	C504	178-1052-78	25V 1uF	D108	001-0529-48	MA8091-H
C234	168-2232-55	0.022uF K	C505	166-5611-50	560pF CH	D201	001-4305-39	UDZSTE-17 36B
C239	042-0423-97	16V 10uF	C506	166-5611-50	560pF CH	D202	001-0516-90	MA111
C240	042-0423-97	16V 10uF	C507	166-5611-50	560pF CH	D203	001-0516-90	MA111
C301	163-4753-65	50V 4.7uF	C508	166-5611-50	560pF CH	D204	001-0516-90	MA111
C302	168-1042-78	16V 0.1uF K	C509	166-2201-50	22pF CH	D205	001-0516-90	MA111
C303	166-1811-50	180pF CH	C510	166-2201-50	22pF CH	D206	001-0529-32	MA8056-M
C306	168-1042-78	16V 0.1uF K	C513	166-2201-50	22pF CH	D207	001-0516-90	MA111
C307	168-1042-78	16V 0.1uF K	C514	166-2201-50	22pF CH	D209	001-0529-44	MA8082-M
C308	166-8097-50	8pF +/-0.5pF CH	C516	166-5611-50	560pF CH	D502	001-2624-90	RB501V-40
C309	166-8097-50	8pF +/-0.5pF CH	C517	166-5611-50	560pF CH	D504	001-2627-90	SSA24
C310	168-1022-55	1000pF K	C518	043-0566-90	50V 2.2uF K	D505	001-0529-48	MA8091-H
C311	163-4753-65	50V 4.7uF	C519	166-5611-50	560pF CH	D508	001-0529-48	MA8091-H
C312	168-1042-78	16V 0.1uF K	C520	166-5611-50	560pF CH	D510	001-2015-00	RL253
C313	163-4753-65	50V 4.7uF	C521	043-0566-90	50V 2.2uF K	D511	001-0516-90	MA111
C314	168-1042-78	16V 0.1uF K	C523	163-1063-35	16V 10uF	D512	001-0529-48	MA8091-H
C315	168-1022-55	1000pF K	C525	043-0554-90	25V 10uF	D513	001-0627-90	U1BC44
C316	168-1022-55	1000pF K	C526	043-0328-90	50V 0.1uF	D514	001-0516-90	MA111
C317	166-1011-50	100pF CH	C528	168-1022-55	1000pF K	D515	001-0529-34	MA8062-L
C318	168-1042-78	16V 0.1uF K	C529	168-5622-55	5600pF K	D516	001-0516-90	MA111
C319	168-5622-55	5600pF K	C530	163-1073-35	16V 100uF	D567	001-0516-90	MA111
C320	168-5622-55	5600pF K	C531	168-6822-55	6800pF K	D568	001-0516-90	MA111
C323	168-1022-55	1000pF K	C532	168-1042-78	16V 0.1uF K	D569	001-4301-68	HZU18B1
C324	163-2273-25	10V 220uF	C533	168-5632-78	16V 0.056uF K	D570	001-4301-68	HZU18B1
C325	168-2222-55	2200pF K	C534	168-5632-78	16V 0.056uF K	D571	001-4301-68	HZU18B1
C326	168-4732-78	0.047uF K	C535	168-5632-78	16V 0.056uF K	IC104	051-0352-91	TA78L05F
C327	163-2263-35	16V 22uF	C536	168-5632-78	16V 0.056uF K	IC203	051-3354-90	BA33BC0WFP
C328	168-1022-55	1000pF K	C537	178-1052-78	25V 1uF	IC204	051-3340-00	LD1085P
C330	042-0423-94	10V 4.7uF	C540	163-1063-35	16V 10uF	IC301	-----	SAF7730HV/N317/ S1(6706-60)
C333	168-1042-78	16V 0.1uF K	C542	166-2201-50	22pF CH	IC401	-----	BR24L16FVM-WTR (9424-90)
C334	163-4763-15	6.3V 47uF	C543	166-2201-50	22pF CH	IC402	052-3204-03	M30876MJB-A28GP (3204-03)
C335	178-1052-78	25V 1uF	C544	166-2201-50	22pF CH			
C336	168-3332-78	0.033uF K	C545	166-2201-50	22pF CH			
C337	168-1022-55	1000pF K	C546	168-1042-78	16V 0.1uF K			

REF No.	PART No.	DESCRIPTION	REF No.	PART No.	DESCRIPTION	REF No.	PART No.	DESCRIPTION
IC403	051-6212-08	LC72191JM-TLM (H-B/H-C)	Q522	125-2026-91	UNR5211G	R344	119-1011-15	1/10W 100 ohm
IC404	051-5417-08	S-80927CNMC-B8M	R102	166-6801-50	68pF CH	R345	119-1011-15	1/10W 100 ohm
IC501	051-3019-90	NJM2060V	R112	119-0000-05	1/10W 0 ohm JW	R346	119-0000-05	1/10W 0 ohm JW
IC502	051-3372-90	LT1767EMS8E #TRPBF	R116	119-2741-15	1/10W 270k ohm	R347	119-0000-05	1/10W 0 ohm JW
IC503	051-2042-00	TA8275H	R119	119-1031-15	1/10W 10k ohm	R348	119-0000-05	1/10W 0 ohm JW
IC505	051-3034-90	NJM4558V	R120	119-1031-15	1/10W 10k ohm	R349	119-0000-05	1/10W 0 ohm JW
IC506	051-5441-08	BD4828G-TR	R126	119-1011-15	1/10W 100 ohm	R350	119-1031-15	1/10W 10k ohm
IC507	051-3341-90	BD3931FP	R131	119-1011-15	1/10W 100 ohm	R351	119-0000-05	1/10W 0 ohm JW
J201	074-1302-12	12P	R132	119-1011-15	1/10W 100 ohm	R352	119-4731-15	1/10W 47k ohm
J203	074-1237-79	29P	R136	116-6891-15	1/4W 6.8 ohm	R353	119-1021-15	1/10W 1k ohm
J204	074-1013-00	12P	R150	116-3911-15	1/4W 390 ohm	R354	119-1021-15	1/10W 1k ohm
J502	074-4009-20	20P	R152	119-0000-05	1/10W 0 ohm JW	R355	119-1021-15	1/10W 1k ohm
L105	010-2003-04	30uH	R201	119-0000-05	1/10W 0 ohm JW	R356	119-1021-15	1/10W 1k ohm
L108	010-2198-87	0.082uH	R207	119-3011-15	1/10W 300 ohm	R357	119-4731-15	1/10W 47k ohm
L301	010-3104-54	600 ohm/100MHz	R208	119-3011-15	1/10W 300 ohm	R358	119-1001-15	1/10W 10 ohm
L302	010-3104-54	600 ohm/100MHz	R226	119-5621-15	1/10W 5.6k ohm	R359	119-4731-15	1/10W 47k ohm
L303	010-3104-54	600 ohm/100MHz	R228	119-5621-15	1/10W 5.6k ohm	R360	119-4731-15	1/10W 47k ohm
L304	010-3104-54	600 ohm/100MHz	R230	119-3011-15	1/10W 300 ohm	R361	119-4731-15	1/10W 47k ohm
L305	010-3104-54	600 ohm/100MHz	R231	119-5631-15	1/10W 56k ohm	R362	119-4731-15	1/10W 47k ohm
L306	010-3104-54	600 ohm/100MHz	R232	119-5631-15	1/10W 56k ohm	R400	119-0000-05	1/10W 0 ohm JW
L307	010-3104-54	600 ohm/100MHz	R234	119-1031-15	1/10W 10k ohm	R408	119-4721-15	1/10W 4.7k ohm
L308	010-3104-54	600 ohm/100MHz	R235	119-1031-15	1/10W 10k ohm	R409	119-4721-15	1/10W 4.7k ohm
L309	010-3104-54	600 ohm/100MHz	R236	032-0140-89	1/10W 47k ohm F	R410	119-4731-15	1/10W 47k ohm
L310	010-3104-54	600 ohm/100MHz	R237	032-0140-89	1/10W 47k ohm F	R411	119-3311-15	1/10W 330 ohm
L311	010-3104-54	600 ohm/100MHz	R238	119-5631-15	1/10W 56k ohm	R412	119-3311-15	1/10W 330 ohm
L312	010-3104-54	600 ohm/100MHz	R239	119-1031-15	1/10W 10k ohm	R413	119-4731-15	1/10W 47k ohm
L313	010-3104-54	600 ohm/100MHz	R240	119-2231-15	1/10W 22k ohm	R416	119-4731-15	1/10W 47k ohm
L401	010-3406-66	22uH J (H-B/H-C)	R241	119-4731-15	1/10W 47k ohm	R417	119-4731-15	1/10W 47k ohm
L402	010-3406-54	2.2uH J	R243	119-1031-15	1/10W 10k ohm	R418	119-4711-15	1/10W 470 ohm
L403	010-3104-54	600 ohm/100MHz	R244	119-6821-15	1/10W 6.8k ohm	R419	119-4711-15	1/10W 470 ohm
L501	010-3104-54	600 ohm/100MHz	R245	119-4731-15	1/10W 47k ohm	R420	119-4711-15	1/10W 470 ohm
L503	010-3104-54	600 ohm/100MHz	R246	117-2211-15	1/8W 220 ohm	R421	119-4711-15	1/10W 470 ohm
L504	010-3074-51	5.4uH	R247	119-1041-15	1/10W 100k ohm	R422	119-1011-15	1/10W 100 ohm
L508	010-8021-00	490uH	R249	032-0140-98	1/10W 330 ohm F	R423	119-1011-15	1/10W 100 ohm
P402	076-3011-72	22P	R251	032-0140-70	1/10W 1.8k ohm F	R424	119-1011-15	1/10W 100 ohm
Q103	192-4116-00	2SC4116	R254	119-1021-15	1/10W 1k ohm	R425	119-1011-15	1/10W 100 ohm
Q109	193-2118-00	2SD2118F5	R262	119-0000-05	1/10W 0 ohm JW	R426	119-1011-15	1/10W 100 ohm
Q208	192-4116-00	2SC4116	R301	119-1031-15	1/10W 10k ohm	R427	119-1011-15	1/10W 100 ohm
Q209	192-4116-00	2SC4116	R302	119-1031-15	1/10W 10k ohm	R428	119-1031-15	1/10W 10k ohm
Q210	192-4116-00	2SC4116	R303	119-2201-15	1/10W 22 ohm	R429	119-1031-15	1/10W 10k ohm
Q211	125-0020-91	UNR5111	R304	032-0140-80	1/10W 18k ohm F	R430	119-1031-15	1/10W 10k ohm
Q212	125-2026-91	UNR5211G	R305	032-0140-80	1/10W 18k ohm F	R431	119-1031-15	1/10W 10k ohm
Q215	125-0006-90	UNR2110	R306	032-0140-80	1/10W 18k ohm F	R432	119-1031-15	1/10W 10k ohm
Q216	125-2026-91	UNR5211G	R307	032-0140-80	1/10W 18k ohm F	R433	119-1031-15	1/10W 10k ohm
Q217	193-1664-00	2SD1664	R312	119-0000-05	1/10W 0 ohm JW	R436	119-1021-15	1/10W 1k ohm
Q218	125-9017-92	UMD3N-TR	R313	119-0000-05	1/10W 0 ohm JW	R437	119-1021-15	1/10W 1k ohm
Q301	125-7005-90	PHK04P02T	R314	119-1011-15	1/10W 100 ohm	R439	119-1041-15	1/10W 100k ohm (H-B/H-C)
Q302	125-2026-91	UNR5211G	R315	119-1031-15	1/10W 10k ohm	R440	119-4731-15	1/10W 47k ohm
Q303	125-2026-91	UNR5211G	R316	119-1021-15	1/10W 1k ohm	R441	119-1021-15	1/10W 1k ohm
Q304	125-2026-91	UNR5211G	R317	032-0140-50	1/10W 10k ohm F	R442	119-1031-15	1/10W 10k ohm
Q305	125-2026-91	UNR5211G	R318	119-3921-15	1/10W 3.9k ohm	R443	119-4731-15	1/10W 47k ohm
Q306	125-2026-91	UNR5211G	R319	032-0140-50	1/10W 10k ohm F	R445	119-0000-05	1/10W 0 ohm JW
Q307	125-2026-91	UNR5211G	R320	119-3921-15	1/10W 3.9k ohm	R446	119-4731-15	1/10W 47k ohm
Q308	125-2026-91	UNR5211G	R321	032-0140-50	1/10W 10k ohm F	R447	119-1031-15	1/10W 10k ohm
Q401	125-2026-91	UNR5211G	R322	119-0000-05	1/10W 0 ohm JW	R448	119-4731-15	1/10W 47k ohm
Q402	125-0020-91	UNR5111	R323	032-0140-50	1/10W 10k ohm F	R449	119-1021-15	1/10W 1k ohm
Q403	191-0709-00	2SB709A Q,R,S	R324	119-1041-15	1/10W 100k ohm	R450	119-1021-15	1/10W 1k ohm
Q404	192-4116-00	2SC4116	R325	119-1041-15	1/10W 100k ohm	R451	119-4731-15	1/10W 47k ohm
Q503	125-2026-91	UNR5211G	R326	119-1001-15	1/10W 10 ohm	R452	119-4731-15	1/10W 47k ohm
Q504	190-1298-00	2SA1298	R327	119-3921-15	1/10W 3.9k ohm	R453	119-4731-15	1/10W 47k ohm
Q506	125-2026-91	UNR5211G	R328	119-0000-05	1/10W 0 ohm JW	R454	119-4731-15	1/10W 47k ohm
Q507	190-1298-00	2SA1298	R329	119-1021-15	1/10W 1k ohm	R455	119-2231-15	1/10W 22k ohm
Q508	192-4116-00	2SC4116	R330	119-3921-15	1/10W 3.9k ohm	R456	119-4731-15	1/10W 47k ohm
Q509	193-2118-00	2SD2118F5	R331	119-0000-05	1/10W 0 ohm JW	R458	119-1011-15	1/10W 100 ohm
Q512	125-2026-91	UNR5211G	R332	032-0140-50	1/10W 10k ohm F	R459	119-1011-15	1/10W 100 ohm
Q515	193-1664-00	2SD1664	R333	032-0140-50	1/10W 10k ohm F	R460	119-4721-15	1/10W 4.7k ohm
Q516	192-4116-51	2SC4116 G,L	R334	032-0140-50	1/10W 10k ohm F	R461	119-4721-15	1/10W 4.7k ohm
Q517	191-1204-61	2SB1204 R,S,T	R336	032-0140-50	1/10W 10k ohm F	R462	119-1041-15	1/10W 100k ohm
Q518	125-2026-91	UNR5211G	R337	032-0140-50	1/10W 10k ohm F	R463	119-1041-15	1/10W 100k ohm
Q519	190-1298-00	2SA1298	R338	032-0140-50	1/10W 10k ohm F	R464	119-2231-15	1/10W 22k ohm
Q520	192-4116-00	2SC4116	R339	032-0140-50	1/10W 10k ohm F	R466	119-4731-15	1/10W 47k ohm
Q521	192-4116-00	2SC4116	R340	032-0140-50	1/10W 10k ohm F	R467	119-4731-15	1/10W 47k ohm
			R342	119-1031-15	1/10W 10k ohm	R468	119-1031-15	1/10W 10k ohm
			R343	119-1031-15	1/10W 10k ohm			

REF No.	PART No.	DESCRIPTION	REF No.	PART No.	DESCRIPTION	REF No.	PART No.	DESCRIPTION
R469	119-1031-15	1/10W 10k ohm	R517	119-1051-15	1/10W 1M ohm	R571	119-4721-15	1/10W 4.7k ohm
R470	119-4731-15	1/10W 47k ohm	R518	119-1051-15	1/10W 1M ohm	R572	119-1031-15	1/10W 10k ohm
R471	119-1241-15	1/10W 120k ohm	R519	119-1031-15	1/10W 10k ohm	R573	032-0148-50	1/10W 100k ohm D
R472	119-3331-15	1/10W 33k ohm	R520	119-1031-15	1/10W 10k ohm	R574	032-0140-16	1/10W 180k ohm F
R473	119-6801-15	1/10W 68 ohm	R521	119-1031-15	1/10W 10k ohm	R575	116-2721-15	1/4W 2.7k ohm
R474	119-2241-15	1/10W 220k ohm	R522	119-1031-15	1/10W 10k ohm	R576	116-1531-15	1/4W 15k ohm
R483	119-0000-05	1/10W 0 ohm JW	R523	119-1031-15	1/10W 10k ohm	R577	119-0000-05	1/10W 0 ohm JW
R484	119-0000-05	1/10W 0 ohm JW	R524	119-1031-15	1/10W 10k ohm	R578	119-2221-15	1/10W 2.2k ohm
R485	119-0000-05	1/10W 0 ohm JW	R525	119-1031-15	1/10W 10k ohm	R580	116-1531-15	1/4W 15k ohm
R488	119-0000-05	1/10W 0 ohm JW	R526	119-1031-15	1/10W 10k ohm	R581	119-1031-15	1/10W 10k ohm
R489	119-0000-05	1/10W 0 ohm JW	R530	032-0140-50	1/10W 10k ohm F	R582	119-5611-15	1/10W 560 ohm
R490	119-0000-05	1/10W 0 ohm JW	R531	032-0140-80	1/10W 18k ohm F	R583	116-4791-15	1/4W 4.7 ohm
R491	119-0000-05	1/10W 0 ohm JW	R533	119-1031-15	1/10W 10k ohm	R584	116-4791-15	1/4W 4.7 ohm
R492	119-0000-05	1/10W 0 ohm JW	R534	119-1031-15	1/10W 10k ohm	R585	119-1031-15	1/10W 10k ohm
R493	119-0000-05	1/10W 0 ohm JW	R535	119-1031-15	1/10W 10k ohm	R586	119-0000-05	1/10W 0 ohm JW
R494	119-0000-05	1/10W 0 ohm JW	R536	119-1021-15	1/10W 1k ohm	R587	119-2231-15	1/10W 22k ohm
R495	119-0000-05	1/10W 0 ohm JW	R537	119-4721-15	1/10W 4.7k ohm	R588	119-3321-15	1/10W 3.3k ohm
R496	119-0000-05	1/10W 0 ohm JW	R538	119-2221-15	1/10W 2.2k ohm	R590	119-0000-05	1/10W 0 ohm JW
R497	119-0000-05	1/10W 0 ohm JW	R539	119-1041-15	1/10W 100k ohm	R591	119-0000-05	1/10W 0 ohm JW
R498	119-0000-05	1/10W 0 ohm JW	R540	116-6811-15	1/4W 680 ohm	R592	119-0000-05	1/10W 0 ohm JW
R499	119-0000-05	1/10W 0 ohm JW	R543	119-0000-05	1/10W 0 ohm JW	R594	119-1051-15	1/10W 1M ohm
R500	119-0000-05	1/10W 0 ohm JW	R544	119-0000-05	1/10W 0 ohm JW	R595	119-4731-15	1/10W 47k ohm
R502	119-1031-15	1/10W 10k ohm	R545	119-0000-05	1/10W 0 ohm JW	R596	119-1041-15	1/10W 100k ohm
R503	119-1031-15	1/10W 10k ohm	R546	119-0000-05	1/10W 0 ohm JW	SUP102	060-0122-90	DSP-201M-S00B
R504	119-1031-15	1/10W 10k ohm	R553	119-1031-15	1/10W 10k ohm	TC401	004-1580-10	30pF GRN(H-B/H-C)
R505	119-1031-15	1/10W 10k ohm	R554	119-1031-15	1/10W 10k ohm	TM101	073-0762-90	TERMINAL
R507	119-1031-15	1/10W 10k ohm	R557	119-4721-15	1/10W 4.7k ohm	TM102	073-0762-90	TERMINAL
R508	119-1031-15	1/10W 10k ohm	R563	116-3911-15	1/4W 390 ohm	TM201	073-0762-90	TERMINAL
R509	119-1031-15	1/10W 10k ohm	R564	116-1221-15	1/4W 1.2k ohm	TM501	073-0762-90	TERMINAL
R510	119-1031-15	1/10W 10k ohm	R565	116-1221-15	1/4W 1.2k ohm	TM502	073-0762-90	TERMINAL
R512	119-1031-15	1/10W 10k ohm	R566	119-1521-15	1/10W 1.5k ohm	X301	061-3537-90	41.6MHz
R513	119-1031-15	1/10W 10k ohm	R567	119-1031-15	1/10W 10k ohm	X401	061-3541-90	10.00MHz
R514	119-1051-15	1/10W 1M ohm	R568	116-1221-15	1/4W 1.2k ohm	X402	061-1066-00	7.2MHz(H-B/H-C)
R515	119-1051-15	1/10W 1M ohm	R569	116-1221-15	1/4W 1.2k ohm	PWB	039-2843-10	PWB(WITHOUT COMPONENT)
R516	119-0000-05	1/10W 0 ohm JW	R570	119-1031-15	1/10W 10k ohm			

Switch PWB(B2) section

Note)Some parts are different depending on the model.(H-A:PP-2787H-A,H-B:PP-2787H-B,H-C:PP-2787H-C)
Please refer to the circuit diagram for the difference parts.

REF No.	PART No.	DESCRIPTION	REF No.	PART No.	DESCRIPTION	REF No.	PART No.	DESCRIPTION
C801	042-0416-59	10V 33uF M TAN	D810	001-7109-90	SML-311DTT86	D818	001-7109-90	SML-311DTT86
C802	168-1042-78	16V 0.1uF K			ORG (H-B/H-C)			ORG (H-B/H-C)
C803	168-1042-78	16V 0.1uF K	D811	001-7093-91	RFY1112H-16-TR	D819	001-7093-91	RFY1112H-16-TR
C804	168-4732-78	0.047uF K			YEL (H-A)			YEL (H-A)
C805	168-4732-78	0.047uF K	D811	001-7109-90	SML-311DTT86	D819	001-7109-90	SML-311DTT86
C806	168-4732-78	0.047uF K			ORG (H-B/H-C)			ORG (H-B/H-C)
C807	166-2211-50	220pF CH	D812	001-7093-91	RFY1112H-16-TR	D820	001-7093-91	RFY1112H-16-TR
CCT801	050-0145-52	1/16W 1k ohm			YEL (H-A)			YEL (H-A)
		x4	D812	001-7109-90	SML-311DTT86	D820	001-7109-90	SML-311DTT86
D801	001-0529-32	MA8056-M			ORG (H-B/H-C)			ORG (H-B/H-C)
D802	001-0529-32	MA8056-M	D813	001-7093-91	RFY1112H-16-TR	D821	001-7093-91	RFY1112H-16-TR
D803	001-0529-32	MA8056-M			YEL (H-A)			YEL (H-A)
D804	001-0529-32	MA8056-M	D813	001-7109-90	SML-311DTT86	D821	001-7109-90	SML-311DTT86
D805	001-0529-32	MA8056-M			ORG (H-B/H-C)			ORG (H-B/H-C)
D806	001-7093-91	RFY1112H-16-TR	D814	001-7093-91	RFY1112H-16-TR	D822	001-7093-91	RFY1112H-16-TR
		YEL (H-A)			YEL (H-A)			YEL (H-A)
D806	001-7109-90	SML-311DTT86	D814	001-7109-90	SML-311DTT86	D822	001-7109-90	SML-311DTT86
		ORG (H-B/H-C)			ORG (H-B/H-C)			ORG (H-B/H-C)
D807	001-7093-91	RFY1112H-16-TR	D815	001-7093-91	RFY1112H-16-TR	D823	001-7093-91	RFY1112H-16-TR
		YEL (H-A)			YEL (H-A)			YEL (H-A)
D807	001-7109-90	SML-311DTT86	D815	001-7109-90	SML-311DTT86	D823	001-7109-90	SML-311DTT86
		ORG (H-B/H-C)			ORG (H-B/H-C)			ORG (H-B/H-C)
D808	001-7093-91	RFY1112H-16-TR	D816	001-7093-91	RFY1112H-16-TR	D824	001-7093-91	RFY1112H-16-TR
		YEL (H-A)			YEL (H-A)			YEL (H-A)
D808	001-7109-90	SML-311DTT86	D816	001-7109-90	SML-311DTT86	D824	001-7109-90	SML-311DTT86
		ORG (H-B/H-C)			ORG (H-B/H-C)			ORG (H-B/H-C)
D809	001-7093-91	RFY1112H-16-TR	D817	001-7093-91	RFY1112H-16-TR	D830	001-7093-91	RFY1112H-16-TR
		YEL (H-A)			YEL (H-A)			YEL (H-A)
D809	001-7109-90	SML-311DTT86	D817	001-7109-90	SML-311DTT86	D830	001-7109-90	SML-311DTT86
		ORG (H-B/H-C)			ORG (H-B/H-C)			ORG (H-B/H-C)
D810	001-7093-91	RFY1112H-16-TR	D818	001-7093-91	RFY1112H-16-TR	D831	001-7093-91	RFY1112H-16-TR
		YEL (H-A)			YEL (H-A)			YEL (H-A)

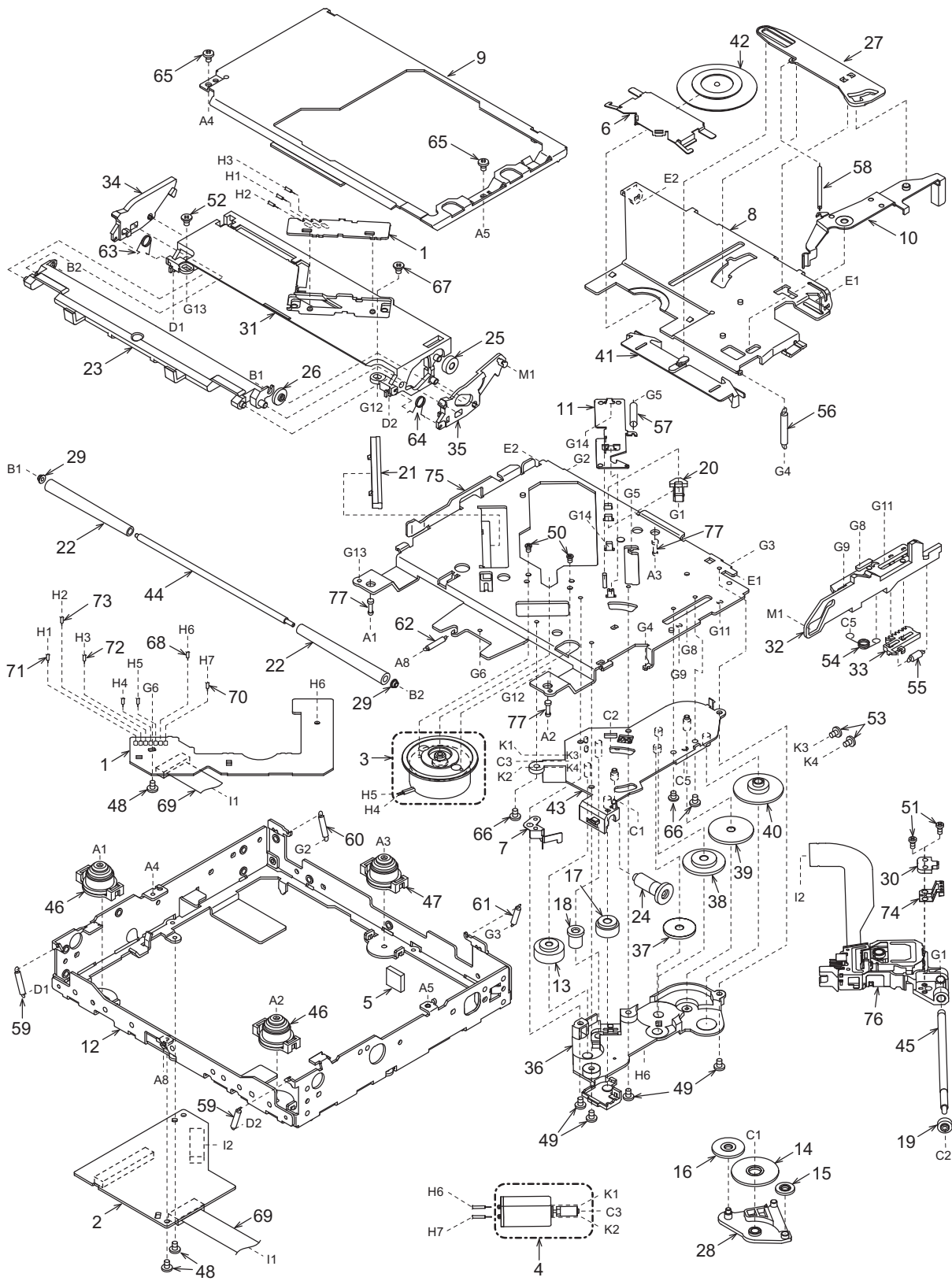
REF No.	PART No.	DESCRIPTION	REF No.	PART No.	DESCRIPTION	REF No.	PART No.	DESCRIPTION
D831	001-7109-90	SML-311DTT86 ORG (H-B/H-C)	D857	001-7093-91	RFY1112H-16-TR YEL (H-A)	R809	116-3921-15	1/4W 3.9k ohm (H-A)
D832	001-7093-91	RFY1112H-16-TR YEL (H-A)	D857	001-7109-90	SML-311DTT86 ORG (H-B/H-C)	R809	116-2421-15	1/4W 2.4k ohm (H-B/H-C)
D832	001-7109-90	SML-311DTT86 ORG (H-B/H-C)	D858	001-7093-91	RFY1112H-16-TR YEL (H-A)	R810	116-2421-15	1/4W 2.4k ohm (H-A)
D833	001-7093-91	RFY1112H-16-TR YEL (H-A)	D858	001-7109-90	SML-311DTT86 ORG (H-B/H-C)	R810	116-1821-15	1/4W 1.8k ohm (H-B/H-C)
D833	001-7109-90	SML-311DTT86 ORG (H-B/H-C)	D859	001-7093-91	RFY1112H-16-TR YEL (H-A)	R811	116-4721-15	1/4W 4.7k ohm (H-A)
D834	001-7093-91	RFY1112H-16-TR YEL (H-A)	D859	001-7109-90	SML-311DTT86 ORG (H-B/H-C)	R811	116-2421-15	1/4W 2.4k ohm (H-B/H-C)
D834	001-7109-90	SML-311DTT86 ORG (H-B/H-C)	D860	001-7093-91	RFY1112H-16-TR YEL (H-A)	R812	116-4721-15	1/4W 4.7k ohm (H-A)
D835	001-7093-91	RFY1112H-16-TR YEL (H-A)	D860	001-7109-90	SML-311DTT86 ORG (H-B/H-C)	R812	116-2221-15	1/4W 2.2k ohm (H-B/H-C)
D835	001-7109-90	SML-311DTT86 ORG (H-B/H-C)	D861	001-7093-91	RFY1112H-16-TR YEL (H-A)	R813	116-4721-15	1/4W 4.7k ohm (H-A)
D836	001-7093-91	RFY1112H-16-TR YEL (H-A)	D861	001-7109-90	SML-311DTT86 ORG (H-B/H-C)	R813	116-2221-15	1/4W 2.2k ohm (H-B/H-C)
D836	001-7109-90	SML-311DTT86 ORG (H-B/H-C)	D862	001-7093-91	RFY1112H-16-TR YEL (H-A)	R814	116-4721-15	1/4W 4.7k ohm (H-A)
D837	001-7093-91	RFY1112H-16-TR YEL (H-A)	D862	001-7109-90	SML-311DTT86 ORG (H-B/H-C)	R814	116-2221-15	1/4W 2.2k ohm (H-B/H-C)
D837	001-7109-90	SML-311DTT86 ORG (H-B/H-C)	D864	001-7093-91	RFY1112H-16-TR YEL (H-A)	R815	116-2221-15	1/4W 2.2k ohm (H-A)
D838	001-7093-91	RFY1112H-16-TR YEL (H-A)	D864	001-7109-90	SML-311DTT86 ORG (H-B/H-C)	R815	116-1221-15	1/4W 1.2k ohm (H-B/H-C)
D838	001-7109-90	SML-311DTT86 ORG (H-B/H-C)	D865	001-7093-91	RFY1112H-16-TR YEL (H-A)	R816	116-2221-15	1/4W 2.2k ohm (H-A)
D839	001-7093-91	RFY1112H-16-TR YEL (H-A)	D865	001-7109-90	SML-311DTT86 ORG (H-B/H-C)	R816	116-1221-15	1/4W 1.2k ohm (H-B/H-C)
D839	001-7109-90	SML-311DTT86 ORG (H-B/H-C)	D866	001-7093-91	RFY1112H-16-TR YEL (H-A)	R817	119-2021-15	1/10W 2k ohm (H-A)
D846	001-7093-91	RFY1112H-16-TR YEL (H-A)	D866	001-7109-90	SML-311DTT86 ORG (H-B/H-C)	R817	119-1521-15	1/10W 1.5k ohm (H-B/H-C)
D846	001-7109-90	SML-311DTT86 ORG (H-B/H-C)	D867	001-7093-91	RFY1112H-16-TR YEL (H-A)	R819	116-3321-15	1/4W 3.3k ohm (H-A)
D847	001-7093-91	RFY1112H-16-TR YEL (H-A)	D867	001-7109-90	SML-311DTT86 ORG (H-B/H-C)	R819	116-1521-15	1/4W 1.5k ohm (H-B/H-C)
D847	001-7109-90	SML-311DTT86 ORG (H-B/H-C)	D869	001-7093-91	RFY1112H-16-TR YEL (H-A)	R822	119-2421-15	1/10W 2.4k ohm (H-A)
D848	001-7093-91	RFY1112H-16-TR YEL (H-A)	D870	001-7093-91	RFY1112H-16-TR YEL (H-A)	R822	119-1621-15	1/10W 1.6k ohm (H-B/H-C)
D848	001-7109-90	SML-311DTT86 ORG (H-B/H-C)	D870	001-7109-90	SML-311DTT86 ORG (H-B/H-C)	R823	116-4721-15	1/4W 4.7k ohm (H-A)
D849	001-7093-91	RFY1112H-16-TR YEL (H-A)	D871	001-2412-90	RR264M-400 (H-A Not used)	R823	116-2221-15	1/4W 2.2k ohm (H-B/H-C)
D849	001-7109-90	SML-311DTT86 ORG (H-B/H-C)	IC801	051-6075-00	LC75816W-8722-E	R824	119-2421-15	1/10W 2.4k ohm (H-A)
D850	001-7093-91	RFY1112H-16-TR YEL (H-A)	J801	074-3013-72	22P	R824	119-1621-15	1/10W 1.6k ohm (H-B/H-C)
D850	001-7109-90	SML-311DTT86 ORG (H-B/H-C)	LCD801	379-1392-52	LCD INDICATOR (H-A)	R825	116-4721-15	1/4W 4.7k ohm (H-A)
D851	001-7093-91	RFY1112H-16-TR YEL (H-A)	LCD801	379-1392-50	INDICATOR (LCD) (H-B/H-C)	R825	116-2221-15	1/4W 2.2k ohm (H-B/H-C)
D851	001-7109-90	SML-311DTT86 ORG (H-B/H-C)	R801	119-0000-05	1/10W 0 ohm JW	R826	119-2421-15	1/10W 2.4k ohm (H-A)
D852	001-7093-91	RFY1112H-16-TR YEL (H-A)	R802	119-3331-15	1/10W 33k ohm	R826	119-1621-15	1/10W 1.6k ohm (H-B/H-C)
D852	001-7109-90	SML-311DTT86 ORG (H-B/H-C)	R803	119-1021-15	1/10W 1k ohm	R827	116-4721-15	1/4W 4.7k ohm (H-A)
D853	001-7093-91	RFY1112H-16-TR YEL (H-A)	R804	116-3321-15	1/4W 3.3k ohm (H-A)	R827	116-2421-15	1/4W 2.4k ohm (H-B/H-C)
D853	001-7109-90	SML-311DTT86 ORG (H-B/H-C)	R804	116-1821-15	1/4W 1.8k ohm (H-B/H-C)	R828	119-2421-15	1/10W 2.4k ohm (H-A)
D855	001-7093-91	RFY1112H-16-TR YEL (H-A)	R805	116-3321-15	1/4W 3.3k ohm (H-A)	R828	119-1621-15	1/10W 1.6k ohm (H-B/H-C)
D855	001-7109-90	SML-311DTT86 ORG (H-B/H-C)	R805	116-1821-15	1/4W 1.8k ohm (H-B/H-C)	R829	116-2421-15	1/4W 2.4k ohm (H-A)
D855	001-7093-91	RFY1112H-16-TR YEL (H-A)	R806	116-3321-15	1/4W 3.3k ohm (H-A)	R829	116-1821-15	1/4W 1.8k ohm (H-B/H-C)
D855	001-7109-90	SML-311DTT86 ORG (H-B/H-C)	R806	116-1821-15	1/4W 1.8k ohm (H-B/H-C)	R830	119-2421-15	1/10W 2.4k ohm (H-A)
D856	001-7093-91	RFY1112H-16-TR YEL (H-A)	R807	116-3321-15	1/4W 3.3k ohm (H-A)	R830	119-1621-15	1/10W 1.6k ohm (H-B/H-C)
D856	001-7109-90	SML-311DTT86 ORG (H-B/H-C)	R807	116-1821-15	1/4W 1.8k ohm (H-B/H-C)	R831	116-4721-15	1/4W 4.7k ohm (H-A)
			R808	116-3321-15	1/4W 3.3k ohm (H-A)	R831	116-2221-15	1/4W 2.2k ohm (H-B/H-C)
			R808	116-1821-15	1/4W 1.8k ohm (H-B/H-C)	R832	119-2421-15	1/10W 2.4k ohm (H-A)
						R832	119-1621-15	1/10W 1.6k ohm (H-B/H-C)
						R833	119-2021-15	1/10W 2k ohm (H-A)
						R833	119-1521-15	1/10W 1.5k ohm (H-B/H-C)
						S801	016-7004-00	ROTARY SWITCH
						S802	013-6201-52	SKPMAP010

REF No.	PART No.	DESCRIPTION
S803	013-6202-52	SKPMBJE010
S804	013-6202-52	SKPMBJE010
S807	013-6202-52	SKPMBJE010
S808	013-6201-52	SKPMAP010
S809	013-6201-52	SKPMAP010
S810	013-6202-52	SKPMBJE010
S811	013-6202-52	SKPMBJE010
S812	013-6202-52	SKPMBJE010
S813	013-6201-52	SKPMAP010
S814	013-6201-52	SKPMAP010

REF No.	PART No.	DESCRIPTION
S815	013-6202-52	SKPMBJE010
S816	013-6202-52	SKPMBJE010
S818	013-6201-52	SKPMAP010
S819	013-6201-52	SKPMAP010
S820	013-6201-52	SKPMAP010
S821	013-6202-52	SKPMBJE010
S822	013-6201-52	SKPMAP010
S823	013-6201-52	SKPMAP010
S824	013-6201-52	SKPMAP010
S825	013-6201-52	SKPMAP010

REF No.	PART No.	DESCRIPTION
S826	013-6201-52	SKPMAP010
S827	013-6201-52	SKPMAP010
S828	013-6201-52	SKPMAP010
PWB	039-2844-10	PWB(WITHOUT COMPONENT) (H-A)
PWB	039-3472-00	PWB(WITHOUT COMPONENT) (H-B/H-C)

EXPLODED VIEW/PARTS LIST



NO.	PART NO.	DESCRIPTION	Q'TY
1	-----	LED PWB	1
2	-----	CD PWB	1
3	SMA-182-100	SPINDLE MOTOR-ASSY	1
4	SMA-183-100	SLED MOTOR-ASSY	1
5	345-5476-20	CUSHION RUBBER	1
6	620-1023-23	CLAMPER PLATE	1
7	620-1026-21	SPRING PLATE	1
8	620-1596-23	CLAMPER LINK	1
9	620-1862-20	UPPER CHASSIS	1
10	620-1752-20	SENSOR ARM	1
11	620-1753-20	ID-LOCK PLATE	1
12	620-1868-20	LOWER CHASSIS	1
13	621-0608-21	SECOND GEAR	1
14	621-0609-20	BASE GEAR	1
15	621-0610-20	IDLE GEAR A	1
16	621-0611-20	IDLE GEAR B	1
17	621-0612-21	ROLLER GEAR A	1
18	621-0620-20	THREAD GEAR A	1
19	621-0621-20	THREAD GEAR B	1
20	621-0623-23	LS-HOLDER	1
21	621-0624-22	GUIDE RAIL	1
22	621-0711-21	LOADING ROLLER	2
23	621-0718-21	ROLLER GUIDE	1
24	621-0719-20	ROLLER GEAR B	1
25	621-0720-20	ROLLER GEAR C	1
26	621-0721-20	ROLLER GEAR D	1
27	621-0728-20	STOPPER LINK	1
28	621-1719-20	IDLE CASE	1
29	621-1726-20	ROLLER SLEEVE	2
30	621-1729-20	SH-BASE	1
31	621-1742-20	UPPER GUIDE	1
32	621-1743-20	SHIFT LEVER	1
33	621-1744-20	RACK	1
34	621-1745-20	LOCK ARM L	1
35	621-1746-20	LOCK ARM R	1
36	621-1747-20	GEAR COVER	1
37	621-1748-20	POWER GEAR A	1
38	621-1749-20	POWER GEAR B	1
39	621-1750-20	POWER GEAR C	1

NO.	PART NO.	DESCRIPTION	Q'TY
40	621-1751-20	POWER GEAR D	1
41	621-1752-20	DISC STOPPER	1
42	621-1753-20	CLAMPER RING	1
43	621-1754-20	GEAR BASE	1
44	622-1571-21	ROLLER SHAFT	1
45	624-3059-00	LEAD SCREW	1
46	629-0086-20	DAMPER F	2
47	629-0087-20	DAMPER R	1
48	716-1507-01	SCREW(M2x3)	3
49	716-1670-01	SCREW(M2x4)	4
50	716-1733-01	SCREW(M1.7x2.3)	2
51	716-3469-01	SCREW(1.7x4)	2
52	716-3473-01	SCREW(M2x3)	1
53	716-3551-00	SCREW(M1.4x2.5)	2
54	750-7865-20	SHIFT SPRING	1
55	750-7866-20	RACK SPRING	1
56	750-7867-20	CLAMPER SPRING	1
57	750-7868-20	ID-LOCK SPRING	1
58	750-7869-20	SENSOR SPRING	1
59	750-7870-20	DR-SPRING F	2
60	750-7871-20	DR-SPRING RA	1
61	750-7872-20	DR-SPRING RB	1
62	750-7873-20	DR-SPRING C	1
63	750-6797-20	ROLLER SPRING L	1
64	750-6798-20	ROLLER SPRING R	1
65	714-2003-8B	SCREW(M2x3)	2
66	780-2025-00	SCREW(M2x2.5)	3
67	781-1730-00	SCREW(M1.7x3)	1
68	803-4906-60	VINYL-COAT-WIRE(ORG)	1
69	816-2542-01	FLAT WIRE	1
70	816-2590-00	VINYL-COAT-WIRE(GRN)	1
71	816-2591-00	VINYL-COAT-WIRE(YEL)	1
72	816-2592-00	VINYL-COAT-WIRE(BLUE)	1
73	816-2593-00	VINYL-COAT-WIRE(PUR)	1
74	966-1722-20	SH-RACK-ASSY	1
75	-----	DRIVE-PLT-ASSY	1
76	969-0075-30	PICKUP-ASSY	1
77	-----	DAMPER PIN	3

ELECTRICAL PARTS LIST

Main PWB(BM1) section

REF No.	PART No.	DESCRIPTION	REF No.	PART No.	DESCRIPTION	REF No.	PART No.	DESCRIPTION
C1	168-1042-78	16V 0.1uF	C29	046-6822-58	6800pF	R5	033-0000-05	1/10W 0 ohm
C2	163-1073-35	16V 100uF	C30	168-1042-78	16V 0.1uF	R6	033-5621-15	1/10W 5.6k ohm
C4	178-1052-78	1uF	C31	046-4712-58	470pF	R7	033-4731-15	1/10W 47k ohm
C5	042-0560-85	6.3V 100uF	C32	046-4712-58	470pF	R8	033-3341-15	1/10W 330k ohm
C6	178-1052-78	1uF	C33	168-1042-78	16V 0.1uF	R9	033-2231-15	1/10W 22k ohm
C8	178-1052-78	1uF	C34	168-4732-78	16V 0.047uF	R10	033-2231-15	1/10W 22k ohm
C10	168-1042-78	16V 0.1uF	C35	168-4732-78	16V 0.047uF	R11	033-2731-15	1/10W 27k ohm
C11	168-1042-78	16V 0.1uF	C36	045-1007-50	10pF	R12	033-4731-15	1/10W 47k ohm
C12	045-4701-50	47pF	C37	045-1007-50	10pF	R13	033-2731-15	1/10W 27k ohm
C13	046-1532-78	0.015uF	C38	168-1042-78	16V 0.1uF	R14	033-1531-15	1/10W 15k ohm
C14	168-1042-78	16V 0.1uF	C39	046-5622-58	5600pF	R15	033-2731-15	1/10W 27k ohm
C15	046-1032-78	0.01uF	C40	168-1042-78	16V 0.1uF	R16	033-8231-15	1/10W 82k ohm
C17	046-4722-58	4700pF	CCT1	050-0140-63	1/32W 47k ohm x4J	R17	033-2731-15	1/10W 27k ohm
C18	046-1522-58	1500pF	D1	001-0367-91	1SS226	R18	033-8231-15	1/10W 82k ohm
C19	168-1042-78	16V 0.1uF	IC1	051-6079-90	BA5830FP-E2	R19	033-1051-15	1/10W 1M ohm
C20	168-1042-78	16V 0.1uF	IC2	051-6399-00	TC94A15FG	R20	119-2221-15	1/10W 2.2k ohm
C21	046-6812-58	680pF	J101	074-1228-79	29P	R22	119-0000-05	1/10W 0 ohm JW
C22	168-1042-78	16V 0.1uF	J201	074-1138-65	15P	TM1	073-0768-90	TERMINAL
C23	046-1532-78	0.015uF	J301	074-1138-60	10P	X2	061-3534-90	16.92MHz
C24	168-1042-78	16V 0.1uF	Q1	131-1188-50	2SB1188PQR	PWB	039-2845-21	PWB(WITHOUT COMPONENT)
C25	045-6801-50	68pF	R1	117-6811-15	1/8W 680 ohm			
C26	168-1042-78	16V 0.1uF	R2	117-1001-15	1/8W 10 ohm			
C27	046-3332-78	0.033uF	R3	033-2211-15	1/10W 220 ohm			

LED PWB(BM2) section

REF No.	PART No.	DESCRIPTION	REF No.	PART No.	DESCRIPTION	REF No.	PART No.	DESCRIPTION
D1	001-7058-90	AN1105W-RR	Q1	060-4015-91	PS1192HB	S2	013-7413-50	LIMIT
D2	001-7058-90	AN1105W-RR	Q2	060-4015-91	PS1192HB	PWB	039-1944-21	PWB(WITHOUT COMPONENT)
J1	074-1138-60	10P	S1	013-7414-50	CHUCKING			

BLOCK DIAGRAM

