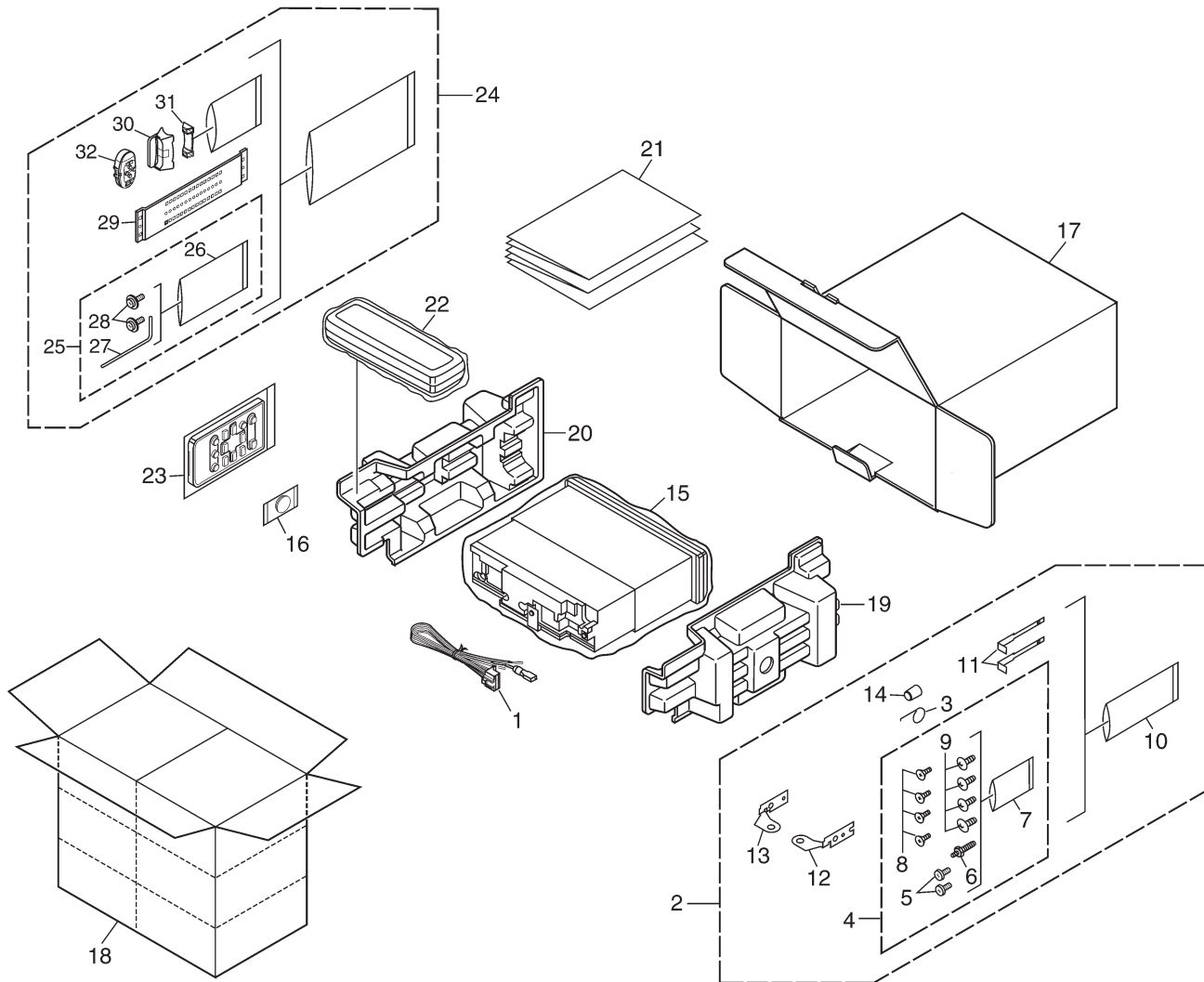


2. EXPLODED VIEWS AND PARTS LIST

2.1 PACKING



NOTE:

- Parts marked by "*" are generally unavailable because they are not in our Master Spare Parts List.
- Screws adjacent to ▽ mark on the product are used for disassembly.
- For the applying amount of lubricants or glue, follow the instructions in this manual.
(In the case of no amount instructions, apply as you think it appropriate.)

● PACKING SECTION PARTS LIST

Mark No.	Symbol and Description	Part No.		
		DEH-P450MP/XM/UC	DEH-P4500MP/XM/UC	DEH-P3550MP/XM/ES
1	Cord Assy	CDE7060	CDE7060	CDE7060
2	Accessory Assy	CEA3376	CEA3376	CEA3439
3	Spring	CBH1650	CBH1650	CBH1650
4	Screw Assy	CEA3445	CEA3445	CEA3437
5	Fixing Screw	BPZ20P060FZK	BPZ20P060FZK	Not used
6	Screw	CBA1002	CBA1002	CBA1002
*	7 Polyethylene Bag	CEG-127	CEG-127	CEG-127
8	Screw	CRZ50P090FTC	CRZ50P090FTC	CRZ50P090FTC
9	Screw	TRZ50P080FTC	TRZ50P080FTC	TRZ50P080FTC
*	10 Polyethylene Bag	CEG-158	CEG-158	CEG-158
11	Handle	CNC5395	CNC5395	CNC5395
12	Holder	CND1249	CND1249	Not used
13	Holder	CND1250	CND1250	Not used
14	Bush	CNV3930	CNV3930	CNV3930
15	Polyethylene Bag	CEG1173	CEG1173	CEG-162
*	16 Battery	CEX1030	CEX1065	Not used
17	Carton	CHG4952	CHG4953	CHG4954
18	Contain Box	CHL4952	CHL4953	CHL4954
19	Protector	CHP2663	CHP2663	CHP2663
20	Protector	CHP2664	CHP2664	CHP2664
21-1	Owner's Manual	CRD3676	CRD3678	CRD3680
21-2	Owner's Manual	Not used	Not used	CRD3681
21-3	Installation Manual	CRD3677	CRD3679	CRD3682
*	21-4 Warranty Card	CRY1070	Not used	Not used
*	21-5 Card	Not used	ARY1048	Not used
*	21-6 Caution Card	Not used	CRP1294	Not used
22	Case Assy	CXB3520	CXB3520	CXB3520
23	Remote Control Unit	Not used	CXC1265	Not used
24	Remote Control Assy	CXB9202	Not used	Not used
25	Screw Assy	CZE3169	Not used	Not used
*	26 Polyethylene Bag	CEG-127	Not used	Not used
*	27 Hexagonal Wrench	CZE3176	Not used	Not used
*	28 Screw	RMZ30H060FBK	Not used	Not used
29	Belt	CZN7661	Not used	Not used
30	Holder Assy	CZX3172	Not used	Not used
31	Holder Assy	CZX3173	Not used	Not used
32	Remote Control Assy	CZX3257	Not used	Not used

● Owner's Manual, Installation Manual

Model	Part No.	Language
DEH-P450MP/XM/UC	CRD3676	English, French, Spanish
	CRD3677	
DEH-P4500MP/XM/UC	CRD3678	English, French, Spanish
	CRD3679	
DEH-P3550MP/XM/ES	CRD3680	English, Spanish, Portuguese(B)
	CRD3681	Arabic, Chinese
	CRD3682	English, Spanish, Portuguese(B), Arabic, Chinese

2.2 EXTERIOR (DEH-P450MP, P4500MP)

A

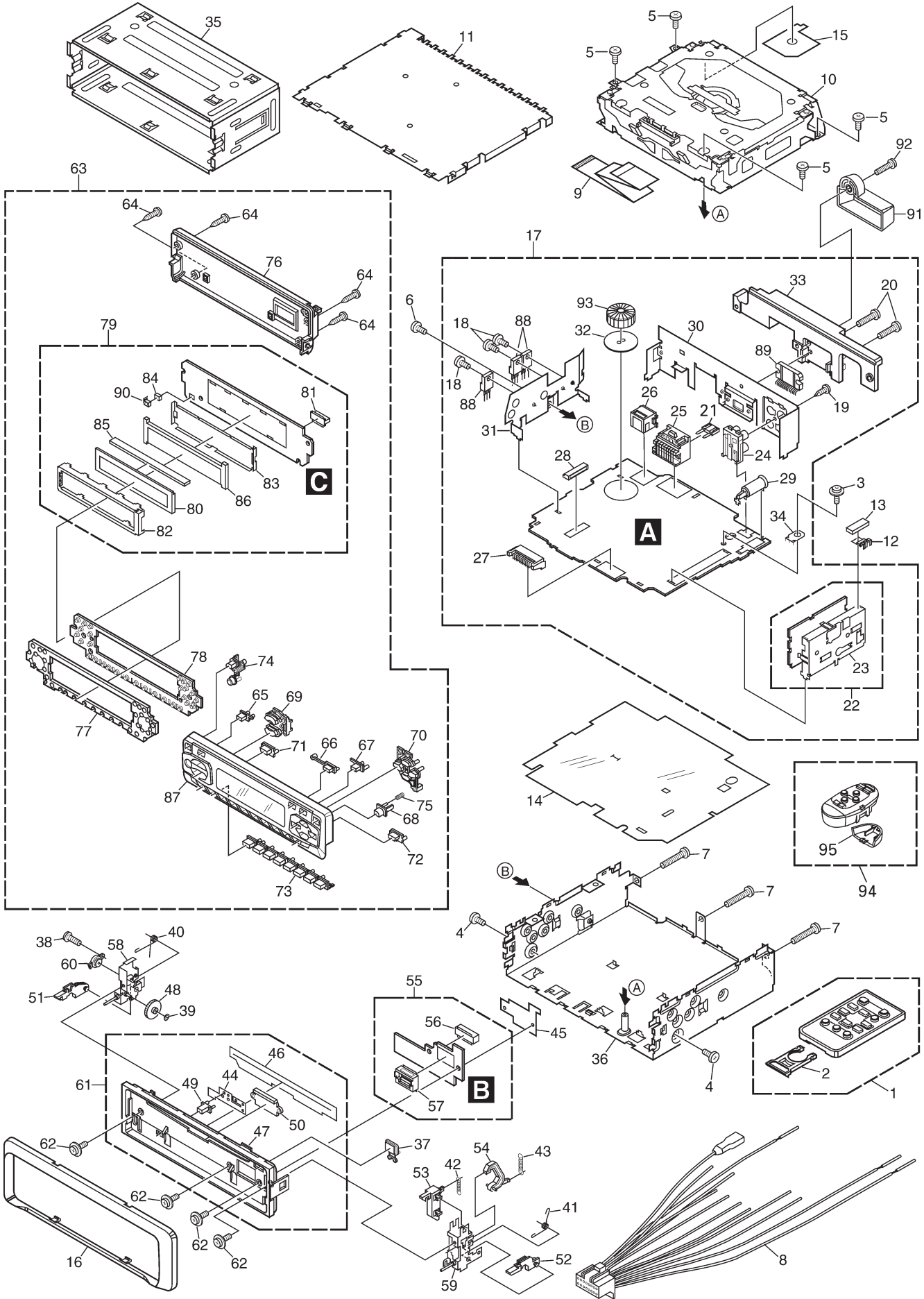
B

C

D

E

F



B

(1) EXTERIOR (DEH-P450MP, P4500MP) SECTION PARTS LIST

Mark No.	Description	Part No.	Mark No.	Description	Part No.	
1	Remote Control Unit	See Contrast table(2)	51	Arm	CNV7400	A
2	Cover	See Contrast table(2)	52	Arm	CNV7401	
3	Screw	ISS26P055FTC	53	Arm	CNV7402	
4	Screw	BMZ30P040FZK	54	Arm	CNV7403	
5	Screw	BSZ26P060FTC	55	Panel Unit	CWM8758	
6	Screw	BSZ30P060FTC	56	Socket(CN1950)	CKS3550	
7	Screw	BSZ30P200FTC	57	Connector(CN1951)	CKS4462	
8	Cord Assy	CDE7060	58	Holder Unit	CXB9501	
9	Cable	CDE7189	59	Holder Unit	CXB9502	
10	CD Mechanism Module(S10MP3)	CXK5660	60	Damper Unit	CXB9503	B
11	Case	CNB2870	61	Service Panel Unit	CXX1691	
12	Earth Plate	CNC8915	62	Screw	IMS20P045FZK	
13	Cushion	CNM4870	63	Detach Grille Assy	See Contrast table(2)	
14	Insulator	CNM7935	64	Screw	BPZ20P100FZK	
15	Insulator	CNM8174	65	Button(DISP)	CAC7779	
16	Panel	See Contrast table(2)	66	Button(PAUSE)	CAC7780	
17	Tuner Amp Unit	CWM8653	67	Button(AUDIO)	CAC7781	
18	Screw	ASZ26P060FTC	68	Button(OPEN)	CAC7782	
19	Screw	BPZ26P080FTC	69	Button(VOLUME)	See Contrast table(2)	
20	Screw	BSZ26P160FTC	70	Button(SELECT)	See Contrast table(2)	C
21	Fuse(10A)	CEK1208	71	Button(SRC)	CAC7785	
22	FM/AM Tuner Unit	CWE1646	72	Button(FUNC)	CAC7786	
23	Holder	CND1054	73	Button(1-6)	CAC7787	
24	Pin Jack(CN351)	CKB1051	74	Button(CLK, EQ)	CAC7808	
25	Plug(CN981)	CKM1376	75	Spring	CBH2630	
26	Connector(CN101)	CKS3408	76	Cover	CNS7269	
27	Plug(CN831)	CKS3537	77	Lighting Conductor	CNV7421	
28	Connector(CN721)	CKS3837	78	Rubber	CNV7422	
29	Antenna Jack(CN401)	CKX1056	79	Keyboard Unit	CWM8635	
30	Holder	CND1238	80	LCD(LCD1901)	CAW1759	D
31	Holder	CND1352	81	Connector(CN1901)	CKS4524	
32	Insulator	CNM8245	82	Holder	CNC9757	
33	Heat Sink	CNR1668	83	Sheet	CNM7647	
34	Terminal(CN402)	VNF1084	84	Cushion	CNM8092	
35	Holder Unit	CXB6681	85	Connector	CNV6440	
36	Chassis Unit	CXB9528	86	Lighting Conductor	CNV7711	
37	Button(EJECT)	CAC7752	87	Grille Unit	See Contrast table(2)	
38	Screw(M2x2)	CBA1176	88	Transistor(Q752, 901, 911)	2SD2375	
39	Washer	CBF1038	89	IC(IC301)	PAL007A	E
40	Spring	CBH2650	90	IC(IC1902)	TSOP4840SB1	
41	Spring	CBH2651	91	Holder	See Contrast table(2)	
42	Spring	CBH2652	92	Screw	See Contrast table(2)	
43	Spring	CBH2653	93	Choke Coil(L981)	CTH1280	
44	Spring	CBL1512	94	Remote Control Assy	See Contrast table(2)	
45	Holder	CND1254	95	Cover	See Contrast table(2)	
46	Cover	CNM6854				
47	Panel	CNS7245				
48	Gear	CNV5997				
49	Pin	CNV6486				F
50	Lighting Conductor	CNV6487				

(2) CONTRAST TABLE

DEH-P450MP/XM/UC and DEH-P4500MP/XM/UC are constructed the same except for the following:

Mark No.	Symbol and Description	Part No.	
		DEH-P450MP/XM/UC	DEH-P4500MP/XM/UC
1	Remote Control Unit	Not used	CXC1265
2	Cover	Not used	CNS7068
16	Panel	CNS6935	CNS6934
63	Detach Grille Assy	CXB9593	CXB9594
69	Button(VOLUME)	CAC7810	CAC7809
70	Button(SELECT)	CAC7812	CAC7811
87	Grille Unit	CXB9621	CXB9622
91	Holder	Not used	CNV7619
92	Screw	Not used	BMZ40P140FTC
94	Remote Control Assy	CZX3257	Not used
95	Cover	CZN7655	Not used

● EXTERIOR (DEH-P3550MP) SECTION PARTS LIST

Mark No.	Description	Part No.	Mark No.	Description	Part No.	
1	Choke Coil(L981)	CTH1280	46	Cover	CNM6854	A
2	Sheet	CNM8386	47	Panel	CNS7245	
3	Screw	ISS26P055FTC	48	Gear	CNV5997	
4	Screw	BMZ30P040FZK	49	Pin	CNV6486	
5	Screw	BSZ26P060FTC	50	Lighting Conductor	CNV6487	
6	Screw	BSZ30P060FTC	51	Arm	CNV7400	
7	Screw	BSZ30P200FTC	52	Arm	CNV7401	
8	Cord Assy	CDE7060	53	Arm	CNV7402	
9	Cable	CDE7189	54	Arm	CNV7403	
10	CD Mechanism Module(S10MP3)	CXK5660	55	Panel Unit	CWM8758	B
11	Case	CNB2870	56	Socket(CN1950)	CKS3550	
12	Earth Plate	CNC8915	57	Connector(CN1951)	CKS4462	
13	Cushion	CNM4870	58	Holder Unit	CXB9501	
14	Insulator	CNM7935	59	Holder Unit	CXB9502	
15	Insulator	CNM8174	60	Damper Unit	CXB9503	
16	Panel	CNS6935	61	Service Panel Unit	CXX1691	
17	Tuner Amp Unit	CWM8654	62	Screw	IMS20P045FZK	
18	Screw	ASZ26P060FTC	63	Detach Grille Assy	CXB9596	
19	Screw	BPZ26P080FTC	64	Screw	BPZ20P100FZK	C
20	Screw	BSZ26P160FTC	65	Button(DISP)	CAC7779	
21	Fuse(10A)	CEK1208	66	Button(PAUSE)	CAC7842	
22	FM/AM Tuner Unit	CWE1646	67	Button(AUDIO)	CAC7781	
23	Holder	CND1054	68	Button(OPEN)	CAC7782	
24	Pin Jack(CN351)	CKB1059	69	Button(VOLUME)	CAC7810	
25	Plug(CN981)	CKM1376	70	Button(SELECT)	CAC7812	
26	Connector(CN101)	CKS3408	71	Button(SRC)	CAC7785	
27	Plug(CN831)	CKS3537	72	Button(FUNC)	CAC7786	
28	Connector(CN721)	CKS3837	73	Button(1-6)	CAC7813	
29	Antenna Jack(CN401)	CKX1056	74	Button(CLK, EQ)	CAC7808	D
30	Holder	CND1237	75	Spring	CBH2630	
31	Holder	CND1352	76	Cover	CNS7269	
32	Insulator	CNM8245	77	Lighting Conductor	CNV7421	
33	Heat Sink	CNR1668	78	Rubber	CNV7422	
34	Terminal(CN402)	VNF1084	79	Keyboard Unit	CWM8631	
35	Holder Unit	CXB6681	80	LCD(LCD1901)	CAW1762	
36	Chassis Unit	CXB9528	81	Connector(CN1901)	CKS4524	
37	Button(EJECT)	CAC7752	82	Holder	CNC9757	
38	Screw(M2x2)	CBA1176	83	Sheet	CNM7647	E
39	Washer	CBF1038	84	Cushion	CNM8092	
40	Spring	CBH2650	85	Connector	CNV6440	
41	Spring	CBH2651	86	Lighting Conductor	CNV7711	
42	Spring	CBH2652	87	Grille Unit	CXB9624	
43	Spring	CBH2653	88	Transistor(Q752, 901, 911)	2SD2375	
44	Spring	CBL1512	89	IC(IC301)	PAL007A	
45	Holder	CND1254	90	IC(IC1902)	TSOP4840SB1	

2.4 CD MECHANISM MODULE

A

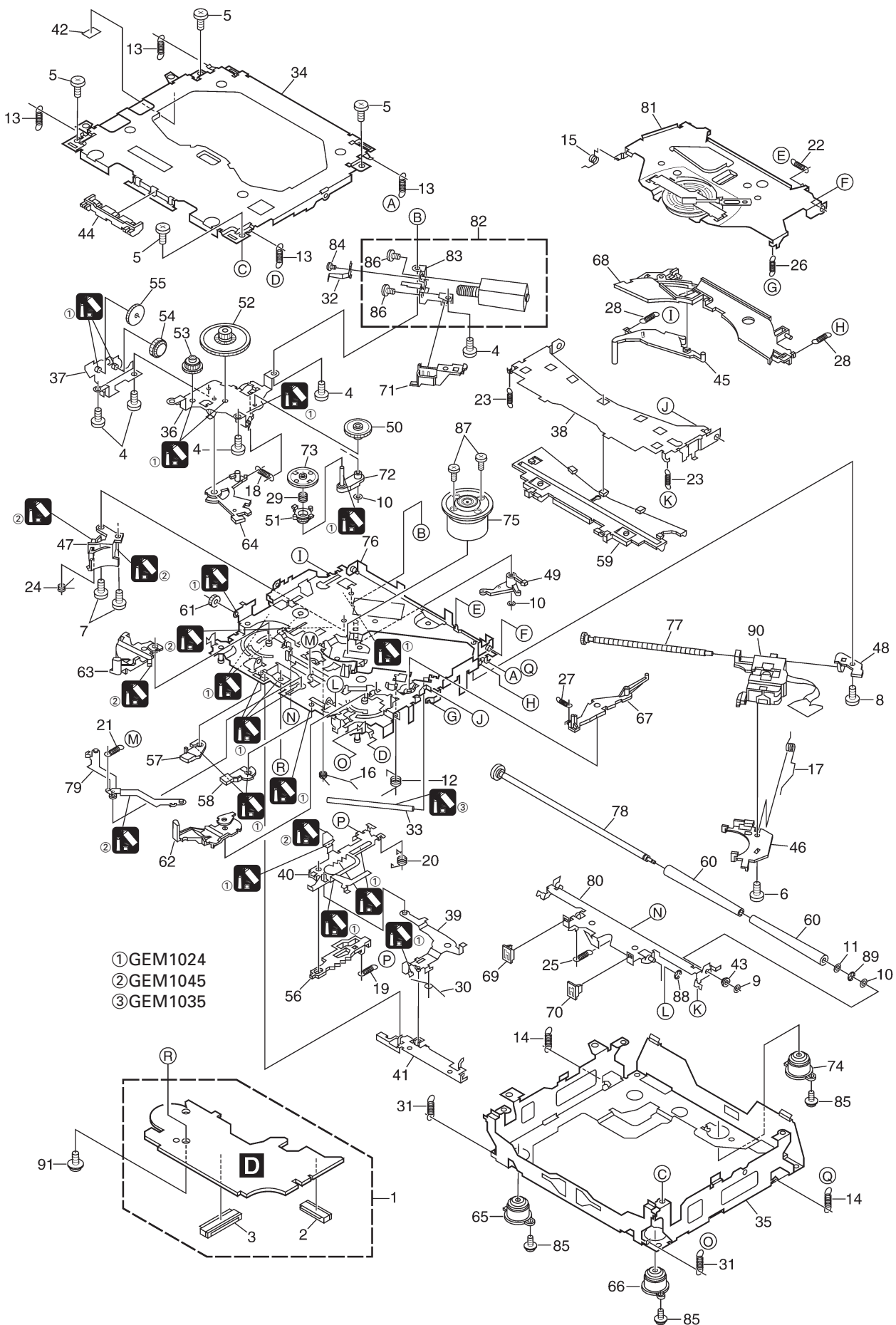
B

C

D

E

F



● CD MECHANISM MODULE SECTION PARTS LIST

Mark No.	Description	Part No.	Mark No.	Description	Part No.	
1	CD Core Unit(S10MP3)	CWX2742	46	Rack	CNV7199	
2	Connector(CN101)	CKS4182	47	Holder	CNV7201	
3	Connector(CN901)	CKS4017	48	Holder	CNV7202	
4	Screw	BMZ20P035FTC	49	Arm	CNV7203	
5	Screw	BSZ20P040FTC	50	Gear	CNV7207	
6	Screw(M2x4)	CBA1362	51	Gear	CNV7208	
7	Screw(M2x3)	CBA1511	52	Gear	CNV7209	
8	Screw(M2x3)	CBA1527	53	Gear	CNV7210	B
9	Washer	CBF1037	54	Gear	CNV7211	
10	Washer	CBF1038	55	Gear	CNV7212	
11	Washer	CBF1060	56	Rack	CNV7214	
12	Spring	CBH2390	57	Arm	CNV7215	
13	Spring	CBH2606	58	Arm	CNV7216	
14	Spring	CBH2607	59	Guide	CNV7217	
15	Spring	CBH2608	60	Roller	CNV7218	
16	Spring	CBH2609	61	Gear	CNV7219	
17	Spring	CBH2610	62	Arm	CNV7221	
18	Spring	CBH2611	63	Arm	CNV7220	C
19	Spring	CBH2612	64	Arm	CNV7222	
20	Spring	CBH2613	65	Damper	CNV7313	
21	Spring	CBH2614	66	Damper	CNV7314	
22	Spring	CBH2615	67	Arm	CNV7341	
23	Spring	CBH2616	68	Arm	CNV7342	
24	Spring	CBH2617	69	Guide	CNV7360	
25	Spring	CBH2620	70	Guide	CNV7361	
26	Spring	CBH2621	71	Holder	CNV7437	
27	Spring	CBH2641	72	Arm	CNV7444	D
28	Spring	CBH2642	73	Gear	CNV7595	
29	Spring	CBH2643	74	Damper	CNV7618	
30	Spring	CBH2659	75	Motor Unit(M1)	CXB6007	
31	Spring	CBH2688	76	Chassis Unit	CXB8728	
* 32	Spring	CBL1614	77	Screw Unit	CXB8729	
33	Shaft	CLA3845	78	Gear Unit	CXB8731	
34	Frame	CNC9962	79	Arm Unit	CXB8732	
35	Frame	CNC9963	80	Arm Unit	CXB8735	
36	Bracket	CNC9966	81	Arm Unit	CXB8852	
37	Bracket	CNC9967	82	Motor Unit(M2)	CXB8933	E
38	Arm	CNC9968	83	Bracket	CNC9985	
39	Arm	CNC9973	84	Screw	JFZ20P020FTC	
40	Lever	CNC9983	85	Screw(M2x5)	EBA1028	
41	Lever	CNC9984	86	Screw	JFZ20P020FTC	
42	Sheet	CNM8134	87	Screw	JGZ17P022FTC	
43	Collar	CNV6906	88	Washer	YE15FTC	
44	Guide	CNV6925	89	Washer	YE20FTC	
45	Arm	CNV7198	90	Pickup Unit(Service)(P10)	CXX1641	
			91	Screw	IMS26P030FMC	F

5. ELECTRICAL PARTS LIST

NOTES:

- Parts whose parts numbers are omitted are subject to being not supplied.
- The part numbers shown below indicate chip components.

Chip Resistor

RS1/○○S○○○○J,RS1/○○S○○○○J

Chip Capacitor (except for CQS.....)

CKS....., CCS....., CSZS.....

====Circuit Symbol and No.====Part Name	Part No.	====Circuit Symbol and No.====Part Name	Part No.
A Unit Number : CWM8653 (P450MP/XM/UC, P4500MP/XM/UC) : CWM8654 (P3550MP/XM/ES)		D 981 Diode D 982 Diode ZNR 401 Arrester L 131 Inductor L 401 Ferri-Inductor	MPG06G-6415G50 MPG06G-6415G50 DSP-201M LCTA2R2J2520 LAU4R7K
Unit Name : Tuner Amp Unit		L 402 Inductor L 404 Inductor L 601 Inductor L 721 Inductor L 971 Inductor	LAU1R0K LAU1R0K LAU2R2K LAU2R2K LAU2R2K
MISCELLANEOUS		L 981 Choke Coil 600μH X 601 Radiator 12.58291MHz S 831 Switch(DETACH SENSE) SP 601 Buzzer FM/AM Tuner Unit	CTH1280 CSS1402 CSN1039 CPV1062 CWE1646
IC 101 IC IC 131 IC IC 301 IC IC 601 IC IC 651 IC	HA12187FP PML003AM PAL007A PE5393A BD4834G	RESISTORS R 101 R 102 R 103 R 104 R 105	RS1/16S150J RS1/16S470J RS1/16S101J RS1/16S101J RS1/16S181J
IC 921 IC Q 101 Transistor Q 102 Transistor Q 301 Transistor Q 351 Transistor	BA033FP 2SA1037K DTC124EK DTC124EK IMH3A	R 106 R 107 R 108 R 109 R 110	RS1/16S181J RS1/16S223J RS1/16S223J RS1/16S102J RS1/16S102J
Q 352 Transistor (P450MP, P4500MP) Q 501 Transistor Q 502 Transistor Q 601 Transistor Q 751 Transistor	IMH3A 2SC2412K IMD2A DTA114EK IMD2A	R 111 R 112 R 113 R 114 R 131	RS1/16S222J RS1/16S103J RS1/16S332J RS1/16S562J RS1/16S471J
Q 752 Transistor Q 754 Transistor Q 831 Transistor Q 901 Transistor Q 902 Transistor	2SD2375 2SD1760F5 DTC143EK 2SD2375 IMD2A	R 132 R 133 R 137 R 138 R 139	RS1/16S471J RAB4C102J RS1/16S101J RS1/16S101J RS1/16S101J
Q 911 Transistor Q 912 Transistor Q 913 Transistor Q 931 Transistor Q 961 Transistor	2SD2375 2SB1238 DTC114EK IMX1 2SB1238	R 140 R 141 R 142 R 301 R 302	RS1/16S101J RS1/16S0R0J RS1/16S0R0J RS1/16S153J RS1/16S103J
Q 962 Transistor Q 971 Transistor D 501 Diode D 502 Diode D 571 Diode	DTC114EK 2SA1036K DAN202U HZS9L(A2) MPG06G-6415G50	R 303 R 304 R 351 R 352 R 353	RS1/16S103J RS1/16S331J RS1/16S821J RS1/16S821J RS1/16S821J
D 572 Diode D 751 Diode D 753 Diode D 831 Diode D 832 Diode	MPG06G-6415G50 HZS9L(B1) HZS6L(C1) DAN202U DAN202U	R 354 (P450MP, P4500MP) R 359 (P450MP, P4500MP) R 360 (P450MP, P4500MP) R 361 (P450MP, P4500MP) R 362 (P450MP, P4500MP)	RS1/16S101J RS1/16S0R0J RS1/16S0R0J RS1/16S153J RS1/16S103J
D 833 Diode D 834 Diode D 901 Diode D 902 Diode D 911 Diode	DAP202U DAP202U HZS6L(B1) MPG06G-6415G50 HZS9L(B3)		RS1/16S103J RS1/16S331J RS1/16S821J RS1/16S821J RS1/16S821J
D 921 Diode D 922 Diode D 923 Diode D 931 Diode D 932 Diode	1SR154-400 1SR154-400 1SR154-400 HZS7L(C3) HZS7L(A1)		RS1/16S821J RS1/16S223J RS1/16S223J RS1/16S223J RS1/16S223J

====Circuit Symbol and No.====Part Name	Part No.	====Circuit Symbol and No.====Part Name	Part No.	
R 401	RS1/16S681J	R 904	RS1/16S821J	A
R 403	RS1/16S122J	R 905	RS1/16S0R0J	
R 404	RS1/16S681J	R 911	RS1/16S223J	
R 405	RS1/16S681J	R 914	RS1/16S152J	
R 406	RS1/16S681J	R 915	RD1/4PU152J	
R 501	RS1/16S103J	R 916	RS1/16S223J	
R 502	RS1/16S473J	R 921	RD1/4PU1R8J	
R 504	RS1/16S102J	R 931	RS1/16S104J	
R 601	RS1/16S102J	R 932	RS1/16S473J	
R 603	RS1/16S473J	R 933	RS1/16S103J	
R 605	RS1/16S102J	R 934	RS1/16S473J	
R 606	RS1/16S473J	R 935	RS1/16S472J	
R 607	RS1/16S104J	R 961	RS1/16S223J	B
R 612	RS1/16S0R0J	R 962	RS1/16S182J	
R 617 (P3550MP)	RS1/16S104J	R 963	RD1/4PU1R0J	
R 618 (P450MP, P4500MP)	RS1/16S104J	R 965	RS1/16S182J	
R 620	RS1/16S473J	R 971	RS1/16S153J	
R 621	RS1/16S473J	R 972	RS1/16S153J	
R 622	RS1/16S473J	R 973	RS1/16S222J	
R 623	RS1/16S473J	R 981	RD1/4PU102J	
R 624	RS1/16S473J	R 9101	RD1/4PU0R0J	
R 625	RS1/16S473J	R 9403	RD1/4PU0R0J	
R 626	RS1/16S681J	R 9405	RD1/4PU0R0J	
R 627	RS1/16S681J			
R 628	RS1/16S681J			
		CAPACITORS		
R 640	RS1/16S0R0J	C 101	CKSRYB104K25	C
R 651	RS1/16S102J	C 131	CEJQ1R0M50	
R 652	RS1/16S183J	C 132	CEJQ1R0M50	
R 711	RS1/16S682J	C 133	CKSRYB104K25	
R 718	RS1/16S473J	C 134	CKSRYB104K25	
R 721	RS1/16S0R0J	C 135	CEJQ1R0M50	
R 722	RS1/16S682J	C 136	CEJQ1R0M50	
R 723	RS1/16S682J	C 137	CEJQ1R0M50	
R 724	RS1/16S682J	C 138	CEJQ1R0M50	
R 726	RS1/16S0R0J	C 139	CEJQ470M16	
R 727	RS1/16S821J	C 140	CKSRYB104K25	
R 728	RS1/16S821J	C 141	CCSRCH102J25	
R 734	RS1/16S102J	C 143	CEJQ100M16	
R 738	RS1/16S0R0J	C 145	CKSRYB105K10	
R 739	RS1/16S0R0J	C 146	CKSRYB105K10	D
R 743	RS1/16S221J	C 147	CKSRYB153K50	
R 744	RS1/16S221J	C 148	CKSRYB153K50	
R 745	RS1/16S221J	C 172	CCSRCH102J25	
R 746	RS1/16S221J	C 301	CKSRYB474K10	
R 747	RS1/16S221J	C 302	CKSRYB474K10	
R 748	RS1/16S221J	C 303	CKSRYB474K10	
R 751	RD1/4PU821J	C 304	CKSRYB474K10	
R 752	RD1/4PU221J	C 305	CKSRYB474K10	
R 755	RS1/16S331J	C 306	CKSRYB474K10	
R 757	RD1/4PU0R0J	C 307	CKSRYB474K10	
R 831	RS1/16S222J	C 308	CKSRYB474K10	
R 832	RS1/16S222J	C 309	CEHAR330M10	
R 833	RS1/16S222J	C 310	CCH1486	E
R 834	RS1/16S222J	C 311	CKSRYB104K25	
R 835	RS1/16S473J	C 312	CEHAR100M16	
R 836	RS1/16S473J	C 313	CKSQYB225K10	
R 837	RD1/4PU391J	C 314	CKSQYB225K10	
R 838	RS1/16S102J	C 316	CKSQYB105K16	
R 839	RS1/16S102J	C 351	CEJQ100M16	
R 840	RS1/16S102J	C 352	CEJQ100M16	
R 841	RS1/16S102J	C 353	CEJQ100M16	
R 845	RS1/16S102J	C 354	CEJQ100M16	
R 901	RD1/4PU221J	C 401	CKSRYB103K50	
R 902	RS1/16S223J	C 402	CEJQ470M6R3	
R 903	RS1/16S821J	C 403	CKSRYB103K50	

====Circuit Symbol and No.====Part Name			Part No.	====Circuit Symbol and No.====Part Name			Part No.
A	C	404	CKSRYP103K50	RESISTORS			
	C	405	CEJQ101M16	R	1801	RS1/16S151J	
	C	407	CKSYB475K10	R	1802	RS1/16S151J	
	C	602	CKSRYP105K10	R	1803	RS1/16S151J	
	C	603	CCSRCH200J50	R	1804	RS1/16S181J	
	C	604	CCSRCH200J50	R	1805	RS1/16S151J	
	C	605	CEJQ4R7M35				
	C	606	CKSRYP104K25	R	1806	RS1/16S181J	
	C	608	CCSRCH101J50	R	1807	RS1/16S181J	
	C	609	CCSRCH470J50	R	1808	RS1/16S151J	
				R	1809	RS1/16S181J	
				R	1810	RS1/16S181J	
	C	611	CKSRYP104K25				
	C	652	CKSRYP105K10				
B	C	725	CCSRCH102J25	R	1811	RS1/16S151J	
	C	726	CCSRCH102J25	R	1812	RS1/16S181J	
	C	727	CCH1331	R	1813	RS1/16S181J	
		470μF/16V		R	1814	RS1/16S151J	
				R	1815	RS1/16S181J	
	C	751	CKSRYP224K10				
	C	752	CKSRYP102K50				
	C	753	CEJQ101M16	R	1901	RS1/16S121J	
	C	754	CKSRYP473K50	R	1902	RS1/16S2R2J	
	C	755	CEJQ101M16	R	1904	RS1/16S222J	
				R	1905	RS1/16S222J	
				R	1906	RS1/16S473J	
	C	901	CEJQ470M10	CAPACITORS			
	C	902	CKSRYP103K50	C	1801	CKSRYP104K16	
	C	903	CKSRYP472K50	C	1802	CKSRYP104K16	
	C	904	CCH1331	C	1901	CKSRYP224K10	
	C	911	CEJQ221M10	C	1902	CSZS4R7M16	
		470μF/16V					
C	C	912	CKSRYP103K50	Unit Number : CWM8758			
	C	913	CEJQ101M16	Unit Name : Panel Unit			
	C	921	CEJQ220M10	MISCELLANEOUS			
	C	922	CKSRYP103K50	D	1970	LED	
	C	923	CKSYB475K10	S	1970	Push Switch(EJECT)	
						CL220PGC	
	C	931	CKSRYP104K25			CSG1112	
	C	961	CKSRYP473K50	RESISTORS			
				R	1970	RS1/16S101J	
				R	1971	RS1/16S101J	
				R	1972	RS1/16S0R0J	
				CAPACITORS			
				C	1970	CKSRYP104K16	
				Unit Number : CWX2742			
				Unit Name : CD Core Unit(S10MP3)			
				MISCELLANEOUS			
	IC	1901	IC	IC	201	IC	
	IC	1902	IC	IC	202	IC	
	D	1801	LED (P450MP, P4500MP)	IC	203	IC	
	D	1801	LED (P3550MP)	IC	301	IC	
	D	1802	LED (P450MP, P4500MP)	IC	701	IC	
	D	1802	LED (P3550MP)				
	D	1803	LED	IC	702	IC	
	D	1804	LED	IC	703	IC	
	D	1805	LED	Q	101	Transistor	
	D	1806	LED	Q	601	Transistor	
	D	1807	LED	Q	602	Transistor	
	D	1808	LED				
	D	1809	LED	Q	603	Transistor	
	D	1810	LED	Q	701	Transistor	
	D	1811	LED	D	101	Diode	
	D	1812	LED	D	201	Diode	
	D	1813	LED	D	601	Diode	
	D	1814	LED				
	D	1901	Diode	L	201	Inductor	
	D	1902	Diode	L	202	Inductor	
	X	1901	Ceramic Resonator 4.97MHz	L	204	Inductor	
	IL	1801	Lamp 14V 40mA	L	205	Inductor	
	IL	1802	Lamp 14V 40mA	L	206	Inductor	
	LCD	1901	LCD (P450MP, P4500MP)				
	LCD	1901	LCD (P3550MP)				
F							

	====Circuit Symbol and No.====	Part Name	Part No.
A	C	203	CKSSYB104K10
	C	204	CEV220M6R3
	C	205	CKSSYB103K16
	C	206	CKSSYB103K16
	C	207	CEV221M4
	C	208	CKSSYB104K10
	C	209	CKSSYB104K10
	C	210	CKSSYB104K10
	C	211	CKSSYB104K10
	C	216	CKSSYB332K50
	C	217	CKSSYB104K10
	C	218	CKSSYB223K16
B	C	219	CKSSYB104K10
	C	220	CKSSYB103K16
	C	221	CKSSYB104K10
	C	222	CCSSCH270J50
	C	223	CCSSCJ3R0C50
	C	224	CKSSYB104K10
	C	225	CKSSYB103K16
	C	226	CCSSCH680J50
	C	227	CCSSCH470J50
	C	228	CKSSYB682K25
	C	230	CKSSYB104K10
	C	232	CKSSYB104K10
	C	233	CCH1436
		47μF/6.3V	
C	C	234	CEV221M4
	C	235	CKSRYB224K16
	C	237	CKSSYB104K10
	C	238	CKSSYB104K10
	C	239	CCSSCH9R0D50
	C	242	CKSSYB104K10
	C	243	CKSSYB104K10
	C	245	CKSSYB104K10
	C	246	CKSSYB104K10
	C	301	CKSSYB331K50
	C	302	CKSSYB331K50
	C	303	CKSSYB472K25
	C	304	CKSSYB472K25
	C	305	CEV101M16
D	C	306	CKSRYB224K16
	C	601	CCSRCH102J50
	C	602	CCSRCH102J50
	C	603	CCH1508
	C	604	CCH1508
	C	701	CKSSYB104K10
	C	702	CKSSYB471K50
	C	703	CKSSYB103K16
	C	704	CEV1R0M50
	C	705	CKSSYB104K10
	C	706	CKSSYB471K50
	C	707	CKSSYB104K10
	C	708	CKSSYB104K10
E	C	709	CKSSYB103K16
	C	710	CKSSYB104K10
	C	711	CCH1349
	C	712	CKSRYB224K16
	C	713	CKSSYB104K10
	C	714	CKSSYB104K10
	C	715	CKSSYB103K16
	C	716	CKSSYB103K16
	C	901	CKSSYB104K10
	C	903	CCSRCH101J50

Miscellaneous Parts List

F	M	1	Pickup Unit(Service)(P10)	CXX1641
	M	1	Motor Unit(SPINDLE)	CXB6007
	M	2	Motor Unit(LOADING/CARRIAGE)	CXB8933