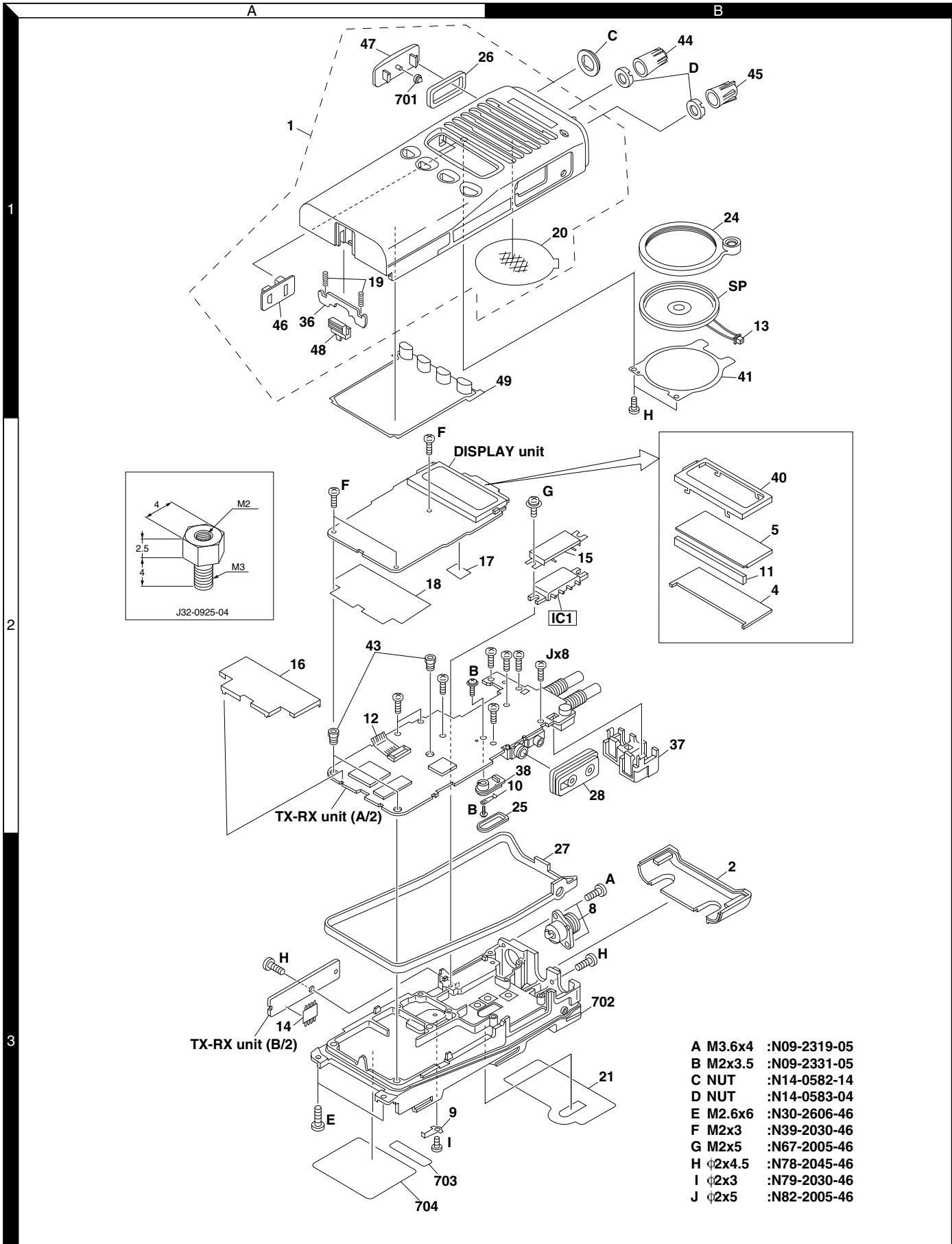
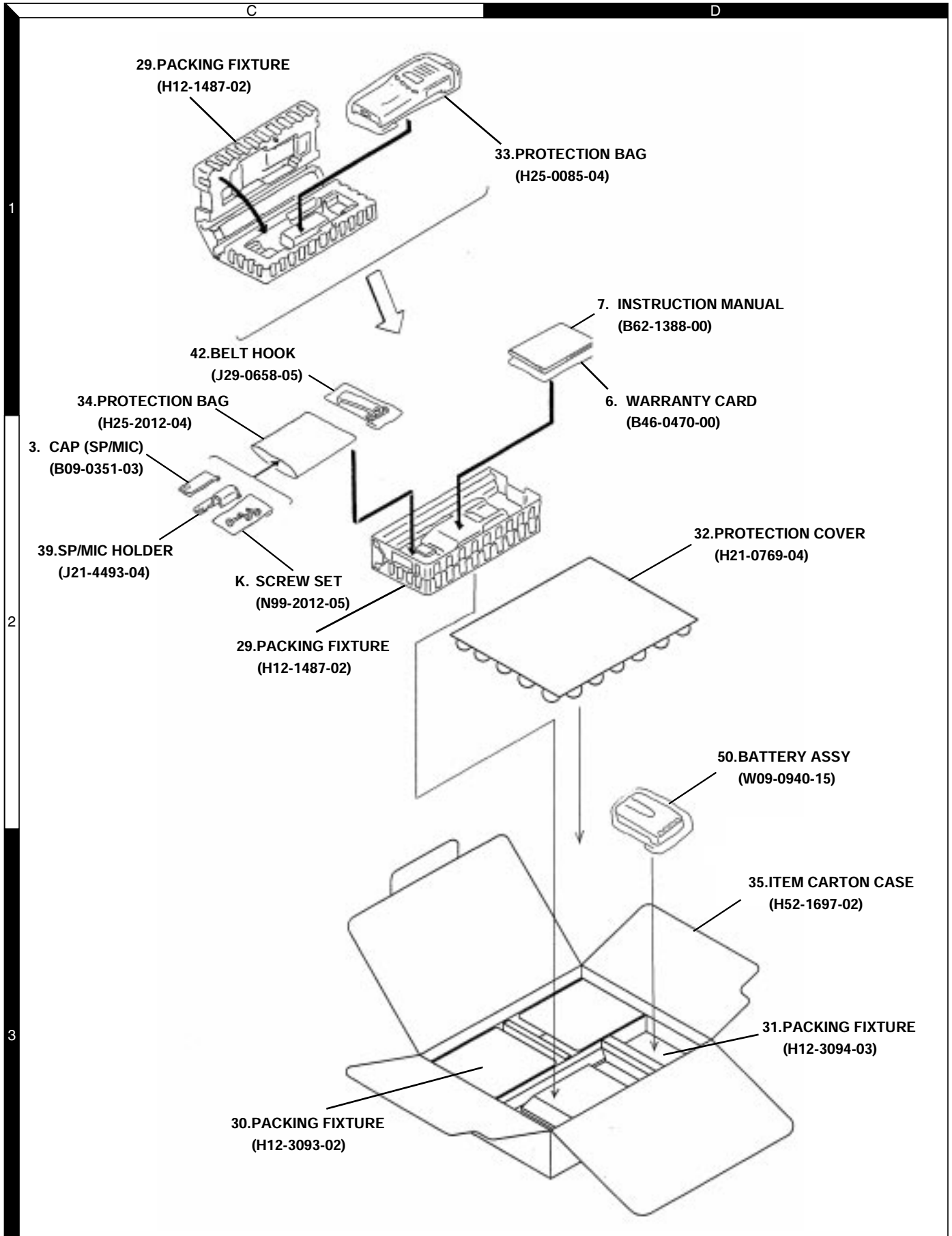


## EXPLODED VIEW



## PACKING



## PARTS LIST

\* New Parts.  $\Delta$  indicates safety critical components.  
 Parts without **Parts No.** are not supplied.  
 Les articles non mentionnés dans le **Parts No.** ne sont pas fournis.  
 Teile ohne **Parts No.** werden nicht geliefert.

L: Scandinavia  
 Y: PX (Far East, Hawaii)  
 Y: AAFES (Europe)  
 K: USA  
 T: England  
 X: Australia  
 P: Canada  
 E: Europe  
 M: Other Areas

TK-272G

| Ref. No.       | Address | New parts | Parts No.   | Description                   | Destination |
|----------------|---------|-----------|-------------|-------------------------------|-------------|
| <b>TK-272G</b> |         |           |             |                               |             |
| 1              | 1A      | *         | A02-3568-23 | CABINET ASSY                  |             |
| 2              | 3B      |           | A82-0036-02 | REAR PANEL                    |             |
| 3              | 2C      |           | B09-0351-03 | CAP (SP/MIC)                  |             |
| 4              | 2B      |           | B11-1220-03 | ILLUMINATION GUIDE            |             |
| 5              | 2B      |           | B38-0820-05 | LCD                           |             |
| 6              | 1D      |           | B46-0470-00 | WARRANTY CARD                 |             |
| 7              | 1D      | *         | B62-1388-00 | INSTRUCTION MANUAL            |             |
| 8              | 3B      |           | E04-0413-05 | RF COAXIAL RECEPTACLE(SMA)    |             |
| 9              | 3A      |           | E23-1183-04 | RELAY TERMINAL (BATT-)        |             |
| 10             | 2A      |           | E23-1184-14 | RELAY TERMINAL (BATT+)        |             |
| 11             | 2B      |           | E29-1177-04 | INTER CONNECTOR(LCD)          |             |
| 12             | 2A      |           | E37-0805-05 | FLAT CABLE (TX/RX-DISP)       |             |
| 13             | 1B      |           | E37-0829-05 | PROCESSED LEAD WIRE (SP)      |             |
| 14             | 3A      |           | E37-0830-05 | FLAT CABLE (PTT)              |             |
| 15             | 2B      |           | F10-2302-04 | SHIELDING COVER(POWER MODULE) |             |
| 16             | 2A      |           | F10-2304-03 | SHIELDING COVER(TX/RX UNIT)   |             |
| 17             | 2A      |           | F20-3307-04 | INSULATING SHEET(TX/RX UNIT)  |             |
| 18             | 2A      |           | F20-3308-04 | INSULATING SHEET(TX/RX UNIT)  |             |
| 19             | 1A      |           | G01-0881-04 | COIL SPRING (BATT RELEASE)    |             |
| 20             | 1B      |           | G10-1232-04 | FIBROUS SHEET(SPEAKER)        |             |
| 21             | 3B      |           | G13-1744-14 | CUSHION (CHASSIS-BATT)        |             |
| -              | -       |           | G13-1834-04 | CUSHION(TERMINAL+ -)          |             |
| 24             | 1B      |           | G53-0882-03 | PACKING (SPEAKER/ECM)         |             |
| 25             | 2A      |           | G53-0883-04 | PACKING (BATT TERMINAL)       |             |
| 26             | 1A      |           | G53-0891-04 | PACKING (PTT KNOB)            |             |
| 27             | 3A      | *         | G53-1530-02 | PACKING (SIDE)                |             |
| 28             | 2B      | *         | G53-1531-03 | PACKING (SP/MIC)              |             |
| 29             | 1C,2C   |           | H12-1487-02 | PACKING FIXTURE               |             |
| 30             | 3C      | *         | H12-3093-02 | PACKING FIXTURE               |             |
| 31             | 3D      | *         | H12-3094-03 | PACKING FIXTURE               |             |
| 32             | 2D      | *         | H21-0769-04 | PROTECTION COVER              |             |
| 33             | 1C      |           | H25-0085-04 | PROTECTION BAG (100/200/0.07) |             |
| 34             | 2C      |           | H25-2012-04 | PROTECTION BAG (75/100/0.08)  |             |
| 35             | 3C      | *         | H52-1697-02 | ITEM CARTON CASE              |             |
| 36             | 1A      |           | J19-1572-04 | HOLDER (BATT RELEASE)         |             |
| 37             | 2B      |           | J19-5352-03 | HOLDER (VOL/ENC)              |             |
| 38             | 2A      |           | J19-5353-14 | HOLDER (BATT TERMINAL)        |             |
| 39             | 2C      |           | J21-4493-04 | SP/MIC HOLDER                 |             |
| 40             | 2B      |           | J21-8377-03 | LCD HOLDER                    |             |
| 41             | 1B      |           | J21-8378-04 | SPEAKER FIXTURE               |             |
| 42             | 1C      |           | J29-0658-05 | BELT HOOK                     |             |
| 43             | 2A      |           | J32-0925-04 | HEXAGON BOSS                  |             |
| 44             | 1B      |           | K29-5331-03 | KNOB (ENCODER)                |             |
| 45             | 1B      |           | K29-5332-03 | KNOB (VOLUME)                 |             |
| 46             | 1A      |           | K29-5333-13 | BUTTON KNOB (MONI/LAMP)       |             |
| 47             | 1A      |           | K29-5334-13 | BUTTON KNOB (PTT)             |             |
| 48             | 1A      |           | K29-5337-03 | LEVER KNOB (BATT RELEASE)     |             |
| 49             | 1A      | *         | K29-9043-02 | KEY TOP                       |             |

| Ref. No.                            | Address  | New parts | Parts No.     | Description            | Destination |
|-------------------------------------|----------|-----------|---------------|------------------------|-------------|
| A                                   | 3B       |           | N09-2319-05   | BINDING HEAD SCREW     |             |
| B                                   | 2A       |           | N09-2331-05   | SPECIAL SCREW          |             |
| C                                   | 1B       |           | N14-0582-14   | CIRCULAR NUT           |             |
| D                                   | 1B       |           | N14-0583-04   | CIRCULAR NUT           |             |
| E                                   | 3A       |           | N30-2606-46   | PAN HEAD MACHINE SCREW |             |
| F                                   | 2A       |           | N39-2030-46   | PAN HEAD MACHINE SCREW |             |
| G                                   | 2B       |           | N67-2005-46   | PAN HEAD SEMS SCREW W  |             |
| H                                   | 1B,3A,3B |           | N78-2045-46   | PAN HEAD TAPTITE SCREW |             |
| I                                   | 3A       |           | N79-2030-46   | PAN HEAD TAPTITE SCREW |             |
| J                                   | 2A,2B    |           | N83-2005-46   | PAN HEAD TAPTITE SCREW |             |
| K                                   | 2C       |           | N99-2012-05   | SCREW SET              |             |
| VR2                                 | -        |           | R31-0628-15   | VARIABLE RESISTOR      |             |
| SP                                  | 1B       |           | T07-0326-05   | SPEAKER                |             |
| S1                                  | -        |           | W02-1969-15   | ENCODER                |             |
| 50                                  | 2D       |           | W09-0940-15   | BATTERY ASSY           |             |
| <b>DISPLAY UNIT (X54-3250-10)</b>   |          |           |               |                        |             |
| D506                                |          |           | B30-2210-05   | LED(TLY)               |             |
| D508-510                            |          |           | B30-2171-05   | LED(D)                 |             |
| D511                                |          |           | B30-2210-05   | LED(TLY)               |             |
| D512-516                            |          |           | B30-2171-05   | LED(D)                 |             |
| C501-509                            |          |           | CC73GCH1H221J | CHIP C 220PF J         |             |
| C513                                |          |           | CK73GB1H102K  | CHIP C 1000PF K        |             |
| C515,516                            |          |           | CC73GCH1H101J | CHIP C 100PF J         |             |
| CN501                               |          |           | E40-6012-05   | FLAT CABLE CONNECTOR   |             |
| L501,502                            |          |           | L92-0138-05   | FERRITE CHIP           |             |
| CP501                               |          |           | R90-0748-05   | MULTI-COMP 47K X4      |             |
| CP502,503                           |          |           | R90-0724-05   | MULTI-COMP 1K X4       |             |
| R501-510                            |          |           | RK73GB1J102J  | CHIP R 1.0K J 1/16W    |             |
| R511                                |          |           | R92-1252-05   | CHIP R 0 OHM           |             |
| R512                                |          |           | RK73GB1J102J  | CHIP R 1.0K J 1/16W    |             |
| R513-515                            |          |           | RK73GB1J103J  | CHIP R 10K J 1/16W     |             |
| R516                                |          |           | RK73GB1J473J  | CHIP R 47K J 1/16W     |             |
| R517                                |          |           | RK73GB1J103J  | CHIP R 10K J 1/16W     |             |
| R518                                |          |           | RK73GB1J471J  | CHIP R 470 J 1/16W     |             |
| R519-522                            |          |           | RK73GB1J102J  | CHIP R 1.0K J 1/16W    |             |
| R523                                |          |           | RK73GB1J473J  | CHIP R 47K J 1/16W     |             |
| R524                                |          |           | RK73GB1J471J  | CHIP R 470 J 1/16W     |             |
| D501-504                            |          |           | MA2S111       | DIODE                  |             |
| D505                                |          |           | 1SS373        | DIODE                  |             |
| D507                                |          |           | MA2S111       | DIODE                  |             |
| IC501                               |          |           | LC75823W      | MOS IC                 |             |
| Q501                                |          |           | 2SB1132(Q,R)  | TRANSISTOR             |             |
| Q502                                |          |           | 2SC4617(S)    | TRANSISTOR             |             |
| <b>TX-RX UNIT (X57-5870-XX)</b>     |          |           |               |                        |             |
| <b>-11:TK-272G K -13:TK-272G K2</b> |          |           |               |                        |             |
| D18                                 |          |           | B30-2019-05   | LED(RED/GRE)           |             |
| C1                                  |          |           | CK73GB1H471K  | CHIP C 470PF K         |             |

K : TK-272G K  
 K2 : TK-272G K2

## PARTS LIST

TX-RX UNIT (X57-5870-XX)

| Ref. No. | Address | New parts | Parts No.     | Description          | Destination | Ref. No. | Address | New parts | Parts No.     | Description          | Destination |
|----------|---------|-----------|---------------|----------------------|-------------|----------|---------|-----------|---------------|----------------------|-------------|
| C3,4     |         |           | CC73GCH1H070B | CHIP C 7.0PF B       | K           | C71      |         |           | CC73GCH1H101J | CHIP C 100PF J       |             |
| C3,4     |         |           | CC73GCH1H090B | CHIP C 9.0PF B       | K2          | C72      |         |           | CC73GCH1H060B | CHIP C 6.0PF B       | K           |
| C5       |         |           | CC73GCH1H100C | CHIP C 10PF C        | K           | C72      |         |           | CC73GCH1H200J | CHIP C 20PF J        | K2          |
| C5       |         |           | CC73GCH1H120G | CHIP C 12PF G        | K2          | C73      |         |           | CK73GB1H102K  | CHIP C 1000PF K      |             |
| C6       |         |           | CK73GB1C104K  | CHIP C 0.10UF K      |             | C74      |         |           | CK73FB1E104K  | CHIP C 0.10UF K      |             |
| C8       |         |           | CC73GCH1H030B | CHIP C 3.0PF B       |             | C75,76   |         |           | CK73GB1H102K  | CHIP C 1000PF K      |             |
| C9       |         |           | CK73GB1H102K  | CHIP C 1000PF K      | K2          | C78      |         |           | CC73GCH1H470J | CHIP C 47PF J        |             |
| C9,10    |         |           | CK73GB1H102K  | CHIP C 1000PF K      | K           | C81      |         |           | CC73GCH1H010C | CHIP C 1.0PF C       |             |
| C10      |         |           | CC73GCH1H101J | CHIP C 100PF J       | K2          | C82      |         |           | CK73GB1H102K  | CHIP C 1000PF K      |             |
| C11      |         |           | CC73GCH1H820J | CHIP C 82PF J        | K2          | C84,85   |         |           | CK73GB1H102K  | CHIP C 1000PF K      |             |
| C11,12   |         |           | CC73GCH1H180J | CHIP C 18PF J        | K           | C86,87   |         |           | CC73GCH1H100D | CHIP C 10PF D        |             |
| C12      |         |           | CC73GCH1H220G | CHIP C 22PF G        | K2          | C88      |         |           | CC73GCH1H1R5B | CHIP C 1.5PF B       | K           |
| C13      |         |           | CK73GB1H102K  | CHIP C 1000PF K      |             | C88      |         |           | CC73GCH1H3R5B | CHIP C 3.5PF B       | K2          |
| C14      |         |           | CC73GCH1H010B | CHIP C 1.0PF B       |             | C89      |         |           | CC73GCH1H050B | CHIP C 5.0PF B       |             |
| C16      |         |           | CC73GCH1H150G | CHIP C 15PF G        |             | C90      |         |           | C92-0560-05   | CHIP-TAN 10UF 6.3WV  |             |
| C17      |         |           | CC73GCH1H040B | CHIP C 4.0PF B       | K2          | C94      |         |           | C92-0560-05   | CHIP-TAN 10UF 6.3WV  |             |
| C17      |         |           | CC73GCH1H060B | CHIP C 6.0PF B       | K           | C95,96   |         |           | CK73GB1H102K  | CHIP C 1000PF K      |             |
| C18      |         |           | CC73GCH1H330G | CHIP C 33PF G        | K           | C98      |         |           | C92-0560-05   | CHIP-TAN 10UF 6.3WV  |             |
| C18      |         |           | CK73GB1H471K  | CHIP C 470PF K       | K2          | C99      |         |           | CK73GB1C104K  | CHIP C 0.10UF K      |             |
| C20      |         |           | CC73GCH1H110J | CHIP C 11PF J        | K2          | C100     |         |           | C92-0507-05   | CHIP-TAN 4.7UF 6.3WV |             |
| C21      |         |           | CC73GCH1H100C | CHIP C 10PF C        | K2          | C101     |         |           | CK73GB1H102K  | CHIP C 1000PF K      |             |
| C22      |         |           | CC73GCH1H101J | CHIP C 100PF J       |             | C104     |         |           | CK73GB1H102K  | CHIP C 1000PF K      |             |
| C23      |         |           | CC73GCH1H100C | CHIP C 10PF C        | K2          | C107,108 |         |           | CK73GB1C104K  | CHIP C 0.10UF K      |             |
| C23      |         |           | CC73GCH1H220G | CHIP C 22PF G        | K           | C109     |         |           | C92-0560-05   | CHIP-TAN 10UF 6.3WV  |             |
| C24      |         |           | CC73GCH1H160G | CHIP C 16PF G        | K           | C110     |         |           | CK73GB1H103K  | CHIP C 0.010UF K     |             |
| C24      |         |           | CC73GCH1H240G | CHIP C 24PF G        | K2          | C111     |         |           | CK73GB1H102K  | CHIP C 1000PF K      |             |
| C25      |         |           | CC73GCH1H130G | CHIP C 13PF G        | K           | C112     |         |           | CC73GCH1H020B | CHIP C 2.0PF B       |             |
| C25      |         |           | CC73GCH1H180G | CHIP C 18PF G        | K2          | C113     |         |           | CK73GB1H471K  | CHIP C 470PF K       |             |
| C26      |         |           | CC73GCH1H040B | CHIP C 4.0PF B       | K2          | C114     |         |           | CK73GB1H331K  | CHIP C 330PF K       | K2          |
| C27      |         |           | CC73GCH1H0R5B | CHIP C 0.5PF B       |             | C114     |         |           | CK73GB1H391K  | CHIP C 390PF K       | K           |
| C28      |         |           | CC73GCH1H040C | CHIP C 4.0PF C       |             | C115     |         |           | CK73GB1C104K  | CHIP C 0.10UF K      |             |
| C30      |         |           | CC73GCH1H100D | CHIP C 10PF D        |             | C118     |         |           | CK73GB1H102K  | CHIP C 1000PF K      |             |
| C31      |         |           | C92-0507-05   | CHIP-TAN 4.7UF 6.3WV |             | C119     |         |           | CK73FB1A105K  | CHIP C 1.0UF K       |             |
| C32      |         |           | CK73GB1C104K  | CHIP C 0.10UF K      |             | C120,121 |         |           | CK73GB1H102K  | CHIP C 1000PF K      |             |
| C33      |         |           | CC73GCH1H050B | CHIP C 5.0PF B       | K           | C122     |         |           | CK73FB1A105K  | CHIP C 1.0UF K       |             |
| C33      |         |           | CC73GCH1H150G | CHIP C 15PF G        | K2          | C123     |         |           | CK73GB1H331K  | CHIP C 330PF K       | K2          |
| C35-37   |         |           | CK73GB1H102K  | CHIP C 1000PF K      |             | C123     |         |           | CK73GB1H391K  | CHIP C 390PF K       | K           |
| C40,41   |         |           | CK73GB1H102K  | CHIP C 1000PF K      |             | C124     |         |           | CC73GCH1H270J | CHIP C 27PF J        |             |
| C42-44   |         |           | CC73GCH1H101J | CHIP C 100PF J       |             | C125,126 |         |           | CK73GB1H103K  | CHIP C 0.010UF K     |             |
| C45      |         |           | CK73GB1H471K  | CHIP C 470PF K       |             | C128     |         |           | CC73GCH1H040C | CHIP C 4.0PF C       |             |
| C48,49   |         |           | C92-0001-05   | CHIP-C 0.1UF 35WV    |             | C129     |         |           | CC73GCH1H020C | CHIP C 2.0PF C       |             |
| C51      |         |           | C92-0514-05   | CHIP-TAN 2.2UF 10WV  |             | C130     |         |           | CK73GB1H471K  | CHIP C 470PF K       |             |
| C52      |         |           | CC73GCH1H050B | CHIP C 5.0PF B       | K2          | C131     |         |           | CC73GCH1H100D | CHIP C 10PF D        |             |
| C52      |         |           | CC73GCH1H390J | CHIP C 39PF J        | K           | C132     |         |           | CK73GB1H103K  | CHIP C 0.010UF K     |             |
| C53      |         |           | CK73GB1H102K  | CHIP C 1000PF K      |             | C133     |         |           | CC73GCH1H820J | CHIP C 82PF J        |             |
| C54      |         |           | CK73FB1C474K  | CHIP C 0.47UF K      |             | C135     |         |           | CK73GB1H103K  | CHIP C 0.010UF K     |             |
| C55      |         |           | CK73GB1H102K  | CHIP C 1000PF K      |             | C136     |         |           | CC73GCH1H100D | CHIP C 10PF D        |             |
| C57      |         |           | CK73FB1C474K  | CHIP C 0.47UF K      |             | C137     |         |           | CK73GB1H102K  | CHIP C 1000PF K      |             |
| C58      |         |           | CK73GB1H103K  | CHIP C 0.010UF K     |             | C138     |         |           | CK73GB1C104K  | CHIP C 0.10UF K      |             |
| C60      |         |           | CK73GB1H103K  | CHIP C 0.010UF K     |             | C139     |         |           | CC73GCH1H181J | CHIP C 180PF J       |             |
| C62      |         |           | CC73GCH1H150G | CHIP C 15PF G        | K2          | C140     |         |           | CK73GB1H103K  | CHIP C 0.010UF K     |             |
| C62      |         |           | CC73GCH1H221J | CHIP C 220PF J       | K           | C141     |         |           | CK73GB1C104K  | CHIP C 0.10UF K      |             |
| C63      |         |           | CC73GCH1H050B | CHIP C 5.0PF B       |             | C142     |         |           | CK73FB1A105K  | CHIP C 1.0UF K       |             |
| C64      |         |           | CC73GCH1H010B | CHIP C 1.0PF B       |             | C143,144 |         |           | CK73GB1H102K  | CHIP C 1000PF K      |             |
| C68      |         |           | C92-0565-05   | CHIP-TAN 6.8UF 10WV  |             | C146,147 |         |           | CK73GB1C104K  | CHIP C 0.10UF K      |             |
| C70      |         |           | CK73GB1H103K  | CHIP C 0.010UF K     |             | C148     |         |           | CK73GB1H103K  | CHIP C 0.010UF K     |             |

## PARTS LIST

TX-RX UNIT (X57-5870-XX)

| Ref. No. | Address | New parts | Parts No.     | Description          | Destination | Ref. No. | Address | New parts | Parts No.     | Description         | Destination |
|----------|---------|-----------|---------------|----------------------|-------------|----------|---------|-----------|---------------|---------------------|-------------|
| C150-153 |         |           | CK73GB1H102K  | CHIP C 1000PF K      |             | C233     |         |           | CC73GCH1H151J | CHIP C 150PF J      |             |
| C155     |         |           | C92-0662-05   | CHIP-TAN 15UF 6.3WV  |             | C234,235 |         |           | CK73GB1H272J  | CHIP C 2700PF J     |             |
| C156,157 |         |           | CK73GB1H102K  | CHIP C 1000PF K      |             | C236     |         |           | CK73GB1C104K  | CHIP C 0.10UF K     |             |
| C158     |         |           | CK73FB1A105K  | CHIP C 1.0UF K       |             | C238     |         |           | CK73GB1H392K  | CHIP C 3900PF K     |             |
| C159     |         |           | CK73GB1H102K  | CHIP C 1000PF K      |             | C239     |         |           | CK73GB1C104K  | CHIP C 0.10UF K     |             |
| C161     |         |           | CK73GB1H102K  | CHIP C 1000PF K      |             | C240     |         |           | CK73GB1H272J  | CHIP C 2700PF J     |             |
| C162     |         |           | CK73GB1H103K  | CHIP C 0.010UF K     |             | C241     |         |           | CK73GB1H102K  | CHIP C 1000PF K     |             |
| C163,164 |         |           | CK73GB1H102K  | CHIP C 1000PF K      |             | C242     |         |           | C92-0560-05   | CHIP-TAN 10UF 6.3WV |             |
| C165     |         |           | CK73GB1H103K  | CHIP C 0.010UF K     |             | C243     |         |           | CK73FB1A105K  | CHIP C 1.0UF K      |             |
| C166     |         |           | CK73FF1E104Z  | CHIP C 0.10UF Z      |             | C244     |         |           | C92-0560-05   | CHIP-TAN 10UF 6.3WV |             |
| C167     |         |           | CK73GB1H102K  | CHIP C 1000PF K      |             | C245     |         |           | CK73GB1H471K  | CHIP C 470PF K      |             |
| C170,171 |         |           | CK73GB1H471K  | CHIP C 470PF K       |             | C246     |         |           | CK73FB1A105K  | CHIP C 1.0UF K      |             |
| C173     |         |           | C92-0567-05   | CHIP-TAN 68UF 6.3WV  |             | C247     |         |           | CK73GB1E123K  | CHIP C 0.012UF K    |             |
| C174     |         |           | CK73GB1H102K  | CHIP C 1000PF K      |             | C248     |         |           | CK73GB1H103K  | CHIP C 0.010UF K    |             |
| C176     |         |           | CC73GCH1H101J | CHIP C 100PF J       |             | C249     |         |           | CK73GB1H222K  | CHIP C 2200PF K     |             |
| C177     |         |           | CK73GB1C473K  | CHIP C 0.047UF K     |             | C250     |         |           | CK73GB1C683K  | CHIP C 0.068UF K    |             |
| C178     |         |           | C92-0560-05   | CHIP-TAN 10UF 6.3WV  |             | C251     |         |           | CK73GB1C104K  | CHIP C 0.10UF K     |             |
| C179     |         |           | CK73GB1C104K  | CHIP C 0.10UF K      |             | C252     |         |           | CK73GB1C473K  | CHIP C 0.047UF K    |             |
| C180     |         |           | CK73GB1H103K  | CHIP C 0.010UF K     |             | C253,254 |         |           | CK73GB1H103K  | CHIP C 0.010UF K    |             |
| C181     |         |           | CK73GB1C393K  | CHIP C 0.039UF K     |             | C255     |         |           | CK73GB1H183K  | CHIP C 0.018UF K    |             |
| C182     |         |           | CK73GB1H102K  | CHIP C 1000PF K      |             | C257     |         |           | CK73GB1E153K  | CHIP C 0.015UF K    |             |
| C183,184 |         |           | CK73GB1C104K  | CHIP C 0.10UF K      |             | C258     |         |           | CK73GB1C333K  | CHIP C 0.033UF K    |             |
| C185     |         |           | CC73GCH1H180J | CHIP C 18PF J        |             | C259     |         |           | CC73GCH1H121J | CHIP C 120PF J      |             |
| C186,187 |         |           | CK73GB1C104K  | CHIP C 0.10UF K      |             | C260     |         |           | CK73GB1H183K  | CHIP C 0.018UF K    |             |
| C189     |         |           | CK73GB1H103K  | CHIP C 0.010UF K     |             | C261     |         |           | CK73GB1E153K  | CHIP C 0.015UF K    |             |
| C190,191 |         |           | CK73GB1C104K  | CHIP C 0.10UF K      |             | C262     |         |           | CK73GB1H102K  | CHIP C 1000PF K     |             |
| C192,193 |         |           | CC73GCH1H300J | CHIP C 30PF J        |             | C263     |         |           | CK73GB1C104K  | CHIP C 0.10UF K     |             |
| C194     |         |           | C92-0507-05   | CHIP-TAN 4.7UF 6.3WV |             | C265,266 |         |           | CK73GB1C104K  | CHIP C 0.10UF K     |             |
| C196     |         |           | CC73GCH1H101J | CHIP C 100PF J       |             | C268     |         |           | CK73GB1H102K  | CHIP C 1000PF K     |             |
| C198,199 |         |           | CK73GB1H103K  | CHIP C 0.010UF K     |             | C269     |         |           | CK73GB1H152K  | CHIP C 1500PF K     |             |
| C200     |         |           | CK73GB1A224K  | CHIP C 0.22UF K      |             | C270     |         |           | CK73GB1H222K  | CHIP C 2200PF K     |             |
| C201     |         |           | CK73GB1H103K  | CHIP C 0.010UF K     |             | C271     |         |           | CK73GB1H102K  | CHIP C 1000PF K     |             |
| C202,203 |         |           | CK73GB1C104K  | CHIP C 0.10UF K      |             | C301     |         |           | CK73GB1C104K  | CHIP C 0.10UF K     |             |
| C204     |         |           | CK73FB1C474K  | CHIP C 0.47UF K      |             | C303     |         |           | CK73GB1H102K  | CHIP C 1000PF K     |             |
| C205     |         |           | CK73GB1H103K  | CHIP C 0.010UF K     |             | C305     |         |           | CK73GB1H102K  | CHIP C 1000PF K     |             |
| C206-208 |         |           | CK73GB1C104K  | CHIP C 0.10UF K      |             | C307     |         |           | CC73GCH1H100D | CHIP C 10PF D       | K           |
| C209     |         |           | CK73GB1H332K  | CHIP C 3300PF K      |             | C307     |         |           | CC73GCH1H150G | CHIP C 15PF G       | K2          |
| C210     |         |           | CK73GB1H102K  | CHIP C 1000PF K      |             | C308     |         |           | CK73GB1H102K  | CHIP C 1000PF K     |             |
| C211     |         |           | C92-0507-05   | CHIP-TAN 4.7UF 6.3WV |             | C309     |         |           | CC73GCH1H030B | CHIP C 3.0PF B      | K2          |
| C212     |         |           | CK73GB1H122K  | CHIP C 1200PF K      |             | C310     |         |           | CC73GCH1H150G | CHIP C 15PF G       | K2          |
| C213     |         |           | CK73GB1H103K  | CHIP C 0.010UF K     |             | C310     |         |           | CC73GCH1H220G | CHIP C 22PF G       | K           |
| C215     |         |           | CK73GB1C104K  | CHIP C 0.10UF K      |             | C311     |         |           | CC73GCH1H120G | CHIP C 12PF G       | K2          |
| C216     |         |           | CK73GB1H332K  | CHIP C 3300PF K      |             | C311     |         |           | CC73GCH1H180G | CHIP C 18PF G       | K           |
| C217     |         |           | CK73GB1E153K  | CHIP C 0.015UF K     |             | C312     |         |           | CC73GCH1H220J | CHIP C 22PF J       |             |
| C218     |         |           | CK73FB1H563K  | CHIP C 0.056UF K     |             | C314     |         |           | CC73GCH1H050B | CHIP C 5.0PF B      | K2          |
| C219,220 |         |           | CK73GB1C104K  | CHIP C 0.10UF K      |             | C315     |         |           | CC73GCH1H010B | CHIP C 1.0PF B      | K2          |
| C221     |         |           | CK73GB1H471K  | CHIP C 470PF K       |             | C316     |         |           | CC73GCH1H220J | CHIP C 22PF J       | K2          |
| C222     |         |           | CK73GB1H103K  | CHIP C 0.010UF K     |             | C316     |         |           | CC73GCH1H390J | CHIP C 39PF J       | K           |
| C223     |         |           | C92-0560-05   | CHIP-TAN 10UF 6.3WV  |             | C317,318 |         |           | CK73GB1H102K  | CHIP C 1000PF K     |             |
| C224     |         |           | CK73GB1H122K  | CHIP C 1200PF K      |             | C319     |         |           | CC73GCH1H220J | CHIP C 22PF J       | K2          |
| C225     |         |           | CC73GCH1H101J | CHIP C 100PF J       |             | C319     |         |           | CC73GCH1H390J | CHIP C 39PF J       | K           |
| C226,227 |         |           | CK73GB1H562J  | CHIP C 5600PF J      |             | C320     |         |           | CK73GB1C104K  | CHIP C 0.10UF K     |             |
| C229     |         |           | CK73FB1H102K  | CHIP C 1000PF K      |             | C323     |         |           | CK73GB1C104K  | CHIP C 0.10UF K     |             |
| C230     |         |           | CK73GB1H562J  | CHIP C 5600PF J      |             | C324     |         |           | CC73GCH1H090D | CHIP C 9.0PF D      | K           |
| C231     |         |           | C92-0521-05   | CHIP-TAN 0.47UF 20WV |             | C324     |         |           | CC73GCH1H220J | CHIP C 22PF J       | K2          |
| C232     |         |           | CK73GB1H471K  | CHIP C 470PF K       |             | C326     |         |           | CK73GB1H102K  | CHIP C 1000PF K     |             |

K : TK-272G K  
K2 : TK-272G K2

## PARTS LIST

TX-RX UNIT (X57-5870-XX)

| Ref. No. | Address | New parts | Parts No.   | Description                  | Destination | Ref. No. | Address | New parts | Parts No.    | Description                  | Destination |
|----------|---------|-----------|-------------|------------------------------|-------------|----------|---------|-----------|--------------|------------------------------|-------------|
| TC1,2    |         |           | C05-0384-05 | CERAMIC TRIMMER CAP(10P)     |             | X3       |         |           | L77-1835-05  | CRYSTAL RESONATOR(9.8304MHZ) |             |
| CN1      |         |           | E40-6012-05 | FLAT CABLE CONNECTOR         |             | XF1      |         |           | L71-0546-05  | CRYSTAL FILTER (49.95MHZ)    |             |
| CN3      |         |           | E40-5662-05 | PIN ASSY SOCKET              |             | CP1      |         |           | R90-0724-05  | MULTI-COMP 1K X4             |             |
| CN5      |         |           | E40-5932-05 | PIN ASSY SOCKET              |             | CP2-9    |         |           | R90-0741-05  | MULTIPLE RESISTOR            |             |
| J1       |         |           | E11-0457-05 | PHONE JACK (2.5/3.5D)        |             | CP10     |         |           | R90-0724-05  | MULTI-COMP 1K X4             |             |
| F1       |         |           | F53-0130-05 | FUSE                         |             | CP11-18  |         |           | R90-0741-05  | MULTIPLE RESISTOR            |             |
| F1       |         |           | F53-0217-05 | FUSE                         |             | CP19     |         |           | R90-0718-05  | MULTI-COMP 4.7K X4           |             |
| CD1      |         |           | L79-1474-05 | TUNING COIL                  |             | CP20     |         |           | RK75HA1J472J | CHIP-COM 4.7K J 1/16W        |             |
| CF1      |         |           | L72-0968-05 | CERAMIC FILTER               |             | R1       |         |           | RK73GB1J124J | CHIP R 120K J 1/16W          |             |
| CF2      |         |           | L72-0969-05 | CERAMIC FILTER               |             | R2       |         |           | RK73GB1J104J | CHIP R 100K J 1/16W          |             |
| L2       |         |           | L92-0138-05 | FERRITE CHIP                 |             | R3       |         |           | RK73GB1J682J | CHIP R 6.8K J 1/16W          |             |
| L3       |         |           | L40-3391-86 | SMALL FIXED INDUCTOR(3.3U)   |             | R4       |         |           | RK73GB1J102J | CHIP R 1.0K J 1/16W          |             |
| L4       |         |           | L33-0745-05 | SMALL FIXED INDUCTOR         |             | R5       |         |           | RK73GB1J152J | CHIP R 1.5K J 1/16W          |             |
| L5       |         |           | L34-4548-05 | AIR-CORE COIL                | K           | R6       |         |           | R92-1252-05  | CHIP R 0 OHM                 |             |
| L5       |         |           | L34-4549-05 | AIR-CORE COIL                | K2          | R7       |         |           | RK73GB1J100J | CHIP R 10 J 1/16W            |             |
| L6       |         |           | L34-4549-05 | AIR-CORE COIL                | K           | R8       |         |           | RK73GB1J102J | CHIP R 1.0K J 1/16W          |             |
| L6       |         |           | L34-4550-05 | AIR-CORE COIL                | K2          | R10      |         |           | RK73GB1J331J | CHIP R 330 J 1/16W           |             |
| L7       |         |           | L34-4548-05 | AIR-CORE COIL                |             | R13      |         |           | RK73GB1J822J | CHIP R 8.2K J 1/16W          |             |
| L9       |         |           | L40-5675-92 | SMALL FIXED INDUCTOR(56NH)   | K           | R14      |         |           | RK73GB1J561J | CHIP R 560 J 1/16W           |             |
| L9       |         |           | L40-6875-92 | SMALL FIXED INDUCTOR(68NH)   | K2          | R16      |         |           | RK73GB1J391J | CHIP R 390 J 1/16W           |             |
| L10      |         |           | L40-1095-34 | SMALL FIXED INDUCTOR(1UH)    |             | R17      |         |           | RK73GB1J103J | CHIP R 10K J 1/16W           |             |
| L11      |         |           | L40-1092-81 | SMALL FIXED INDUCTOR         |             | R18      |         |           | RK73GB1J124J | CHIP R 120K J 1/16W          |             |
| L12      |         |           | L40-3391-86 | SMALL FIXED INDUCTOR(3.3U)   |             | R19      |         |           | RK73GB1J332J | CHIP R 3.3K J 1/16W          |             |
| L14      |         |           | L40-1085-92 | SMALL FIXED INDUCTOR(100NH)  |             | R20      |         |           | RK73GB1J122J | CHIP R 1.2K J 1/16W          |             |
| L15      |         |           | L40-5675-92 | SMALL FIXED INDUCTOR(56NH)   |             | R21      |         |           | RK73GB1J221J | CHIP R 220 J 1/16W           |             |
| L17      |         |           | L34-4550-05 | AIR-CORE COIL                |             | R22      |         |           | RK73GB1J472J | CHIP R 4.7K J 1/16W          |             |
| L18-20   |         |           | L92-0138-05 | FERRITE CHIP                 |             | R23      |         |           | RK73GB1J122J | CHIP R 1.2K J 1/16W          |             |
| L21      |         |           | L40-1875-92 | SMALL FIXED INDUCTOR(18NH)   |             | R26      |         |           | RK73GB1J561J | CHIP R 560 J 1/16W           |             |
| L22      |         |           | L40-1085-92 | SMALL FIXED INDUCTOR(100NH)  |             | R27      |         |           | RK73GB1J270J | CHIP R 27 J 1/16W            |             |
| L23      |         |           | L92-0138-05 | FERRITE CHIP                 |             | R28,29   |         |           | RK73GB1J271J | CHIP R 270 J 1/16W           |             |
| L24      |         |           | L40-5681-86 | SMALL FIXED INDUCTOR(0.56U)  |             | R30      |         |           | RK73GB1J182J | CHIP R 1.8K J 1/16W          |             |
| L25      |         |           | L40-1085-92 | SMALL FIXED INDUCTOR(100NH)  |             | R31      |         |           | RK73GB1J101J | CHIP R 100 J 1/16W           |             |
| L26      |         |           | L33-0745-05 | SMALL FIXED INDUCTOR         |             | R33      |         |           | RK73GB1J101J | CHIP R 100 J 1/16W           |             |
| L27      |         |           | L92-0149-05 | FERRITE CHIP                 |             | R34      |         |           | RK73GB1J473J | CHIP R 47K J 1/16W           |             |
| L30      |         |           | L40-2702-86 | SMALL FIXED INDUCTOR(27U)    |             | R35      |         |           | RK73GB1J104J | CHIP R 100K J 1/16W          |             |
| L31      |         |           | L40-1085-92 | SMALL FIXED INDUCTOR(100NH)  |             | R36      |         |           | RK73GB1J473J | CHIP R 47K J 1/16W           |             |
| L32      |         |           | L40-1005-85 | SMALL FIXED INDUCTOR(10U)    |             | R37      |         |           | RK73GB1J472J | CHIP R 4.7K J 1/16W          |             |
| L35      |         |           | L40-1285-92 | SMALL FIXED INDUCTOR(120NH)  | K           | R38      |         |           | RK73GB1J101J | CHIP R 100 J 1/16W           |             |
| L35      |         |           | L40-1585-92 | SMALL FIXED INDUCTOR(150NH)  | K2          | R39      |         |           | RK73GB1J562J | CHIP R 5.6K J 1/16W          |             |
| L36      |         |           | L40-1085-85 | SMALL FIXED INDUCTOR(0.10U)  |             | R40      |         |           | RK73GB1J183J | CHIP R 18K J 1/16W           |             |
| L37      |         |           | L40-5685-85 | SMALL FIXED INDUCTOR(0.56U)  |             | R41      |         |           | RK73GB1J101J | CHIP R 100 J 1/16W           |             |
| L38      |         |           | L92-0138-05 | FERRITE CHIP                 |             | R42      |         |           | RK73GB1J220J | CHIP R 22 J 1/16W            |             |
| L39      |         |           | L92-0149-05 | FERRITE CHIP                 |             | R43      |         |           | RK73GB1J101J | CHIP R 100 J 1/16W           |             |
| L40,41   |         |           | L92-0138-05 | FERRITE CHIP                 |             | R44      |         |           | RK73GB1J102J | CHIP R 1.0K J 1/16W          |             |
| L42      |         |           | L92-0131-05 | FERRITE CHIP                 |             | R45      |         |           | RK73GB1J331J | CHIP R 330 J 1/16W           |             |
| L43,44   |         |           | L92-0138-05 | FERRITE CHIP                 |             | R46      |         |           | RN73GH1J154D | CHIP R 150K D 1/16W          |             |
| L302     |         |           | L33-0745-05 | SMALL FIXED INDUCTOR         |             | R47      |         |           | RK73GB1J104J | CHIP R 100K J 1/16W          |             |
| L304     |         |           | L40-8288-76 | SMALL FIXED INDUCTOR(0.82UH) |             | R48      |         |           | RK73GB1J334J | CHIP R 330K J 1/16W          |             |
| L305     |         |           | L34-4621-05 | COIL                         |             | R49      |         |           | RK73GB1J103J | CHIP R 10K J 1/16W           |             |
| L306     |         |           | L34-4622-05 | COIL                         |             | R50      |         |           | RN73GH1J154D | CHIP R 150K D 1/16W          |             |
| L307     |         |           | L34-4446-05 | COIL                         |             | R51      |         |           | RK73GB1J102J | CHIP R 1.0K J 1/16W          |             |
| L308     |         |           | L40-4785-85 | SMALL FIXED INDUCTOR(0.47U)  |             | R52      |         |           | RK73GB1J151J | CHIP R 150 J 1/16W           |             |
| X1       |         |           | L77-1794-05 | TCXO (16.8MHZ)               |             | R53      |         |           | RK73GB1J472J | CHIP R 4.7K J 1/16W          |             |
| X2       |         |           | L78-0479-05 | RESONATOR (3.58MHZ)          |             | R54      |         |           | RN73GH1J154D | CHIP R 150K D 1/16W          |             |
| X3       |         |           | L77-1810-05 | CRYSTAL RESONATOR(9.8304MHZ) |             | R55      |         |           | RK73GB1J105J | CHIP R 1.0M J 1/16W          |             |
|          |         |           |             |                              |             | R56-58   |         |           | RK73EB2ER39K | CHIP R 0.39 K 1/4W           |             |

K : TK-272G K

26 K2 : TK-272G K2

## PARTS LIST

TX-RX UNIT (X57-5870-XX)

| Ref. No. | Address | New parts | Parts No.    | Description         | Destination | Ref. No. | Address | New parts | Parts No.    | Description         | Destination |
|----------|---------|-----------|--------------|---------------------|-------------|----------|---------|-----------|--------------|---------------------|-------------|
| R59      |         |           | RN73GH1J154D | CHIP R 150K D 1/16W |             | R127     |         |           | RK73GB1J333J | CHIP R 33K J 1/16W  |             |
| R60      |         |           | R92-1252-05  | CHIP R 0 OHM        |             | R128     |         |           | RK73GB1J102J | CHIP R 1.0K J 1/16W |             |
| R61      |         |           | RK73GB1J473J | CHIP R 47K J 1/16W  |             | R129     |         |           | RK73GB1J224J | CHIP R 220K J 1/16W |             |
| R62      |         |           | RN73GH1J154D | CHIP R 150K D 1/16W |             | R130     |         |           | R92-1252-05  | CHIP R 0 OHM        |             |
| R64,65   |         |           | RK73GB1J104J | CHIP R 100K J 1/16W |             | R131     |         |           | RK73GB1J101J | CHIP R 100 J 1/16W  |             |
| R68      |         |           | RN73GH1J154D | CHIP R 150K D 1/16W |             | R132     |         |           | RK73GB1J104J | CHIP R 100K J 1/16W |             |
| R69      |         |           | RK73GB1J220J | CHIP R 22 J 1/16W   |             | R133     |         |           | R92-1252-05  | CHIP R 0 OHM        |             |
| R70      |         |           | RK73GB1J104J | CHIP R 100K J 1/16W |             | R135     |         |           | RK73GB1J100J | CHIP R 10 J 1/16W   |             |
| R71      |         |           | RK73GB1J124J | CHIP R 120K J 1/16W |             | R137     |         |           | RK73GB1J101J | CHIP R 100 J 1/16W  |             |
| R72      |         |           | RK73GB1J103J | CHIP R 10K J 1/16W  |             | R138     |         |           | RK73GB1J102J | CHIP R 1.0K J 1/16W |             |
| R73      |         |           | RK73GB1J273J | CHIP R 27K J 1/16W  |             | R139     |         |           | RK73GB1J151J | CHIP R 150 J 1/16W  |             |
| R74,75   |         |           | RK73GB1J223J | CHIP R 22K J 1/16W  |             | R140     |         |           | RK73GB1J102J | CHIP R 1.0K J 1/16W |             |
| R76      |         |           | R92-0670-05  | CHIP R 0 OHM        |             | R142     |         |           | R92-1252-05  | CHIP R 0 OHM        |             |
| R77      |         |           | R92-1252-05  | CHIP R 0 OHM        |             | R143     |         |           | RK73GB1J184J | CHIP R 180K J 1/16W |             |
| R78,79   |         |           | RK73GB1J153J | CHIP R 15K J 1/16W  |             | R144     |         |           | R92-1252-05  | CHIP R 0 OHM        |             |
| R80,81   |         |           | RK73GB1J223J | CHIP R 22K J 1/16W  |             | R145     |         |           | RK73GB1J474J | CHIP R 470K J 1/16W |             |
| R82      |         |           | RK73GB1J102J | CHIP R 1.0K J 1/16W |             | R146     |         |           | RK73GB1J472J | CHIP R 4.7K J 1/16W |             |
| R83      |         |           | RK73GB1J103J | CHIP R 10K J 1/16W  |             | R147     |         |           | RK73GB1J470J | CHIP R 47 J 1/16W   |             |
| R84      |         |           | RK73GB1J474J | CHIP R 470K J 1/16W |             | R148     |         |           | RK73GB1J220J | CHIP R 22 J 1/16W   |             |
| R85      |         |           | RK73GB1J102J | CHIP R 1.0K J 1/16W |             | R149     |         |           | RK73GB1J104J | CHIP R 100K J 1/16W |             |
| R86      |         |           | RK73GB1J394J | CHIP R 390K J 1/16W |             | R150     |         |           | RK73GB1J102J | CHIP R 1.0K J 1/16W |             |
| R87      |         |           | RK73GB1J221J | CHIP R 220 J 1/16W  |             | R151     |         |           | RK73GB1J473J | CHIP R 47K J 1/16W  |             |
| R88      |         |           | RK73GB1J102J | CHIP R 1.0K J 1/16W |             | R152     |         |           | RK73GB1J823J | CHIP R 82K J 1/16W  |             |
| R89      |         |           | RK73GB1J821J | CHIP R 820 J 1/16W  |             | R153     |         |           | RK73GB1J104J | CHIP R 100K J 1/16W |             |
| R90,91   |         |           | RK73GB1J332J | CHIP R 3.3K J 1/16W |             | R154     |         |           | RK73GB1J564J | CHIP R 560K J 1/16W |             |
| R92      |         |           | RK73GB1J100J | CHIP R 10 J 1/16W   |             | R155     |         |           | RK73GB1J473J | CHIP R 47K J 1/16W  |             |
| R93      |         |           | RK73GB1J222J | CHIP R 2.2K J 1/16W | K2          | R156     |         |           | RN73GH1J683D | CHIP R 68K D 1/16W  |             |
| R93      |         |           | RK73GB1J332J | CHIP R 3.3K J 1/16W | K           | R157     |         |           | RK73GB1J102J | CHIP R 1.0K J 1/16W |             |
| R94      |         |           | RK73GB1J681J | CHIP R 680 J 1/16W  |             | R158     |         |           | R92-1252-05  | CHIP R 0 OHM        |             |
| R95      |         |           | RK73GB1J222J | CHIP R 2.2K J 1/16W | K           | R159     |         |           | RK73GB1J102J | CHIP R 1.0K J 1/16W |             |
| R95      |         |           | RK73GB1J471J | CHIP R 470 J 1/16W  | K2          | R160     |         |           | RK73GB1J222J | CHIP R 2.2K J 1/16W |             |
| R96      |         |           | RK73GB1J151J | CHIP R 150 J 1/16W  |             | R161     |         |           | RK73GB1J563J | CHIP R 56K J 1/16W  |             |
| R97      |         |           | RK73GB1J183J | CHIP R 18K J 1/16W  |             | R162     |         |           | RN73GH1J333D | CHIP R 33K D 1/16W  |             |
| R98      |         |           | RK73GB1J473J | CHIP R 47K J 1/16W  |             | R163     |         |           | RN73GH1J274D | CHIP R 270K D 1/16W |             |
| R99      |         |           | RK73GB1J684J | CHIP R 680K J 1/16W |             | R164     |         |           | RK73GB1J184J | CHIP R 180K J 1/16W |             |
| R100     |         |           | RK73GB1J473J | CHIP R 47K J 1/16W  |             | R165     |         |           | RK73GB1J473J | CHIP R 47K J 1/16W  |             |
| R101     |         |           | RK73GB1J104J | CHIP R 100K J 1/16W |             | R166     |         |           | RK73GB1J103J | CHIP R 10K J 1/16W  |             |
| R102,103 |         |           | RK73GB1J272J | CHIP R 2.7K J 1/16W |             | R167     |         |           | RK73GB1J564J | CHIP R 560K J 1/16W |             |
| R104     |         |           | RK73GB1J472J | CHIP R 4.7K J 1/16W |             | R168     |         |           | RK73GB1J102J | CHIP R 1.0K J 1/16W |             |
| R105     |         |           | RK73GB1J222J | CHIP R 2.2K J 1/16W |             | R169     |         |           | RK73GB1J473J | CHIP R 47K J 1/16W  |             |
| R106     |         |           | RK73GB1J272J | CHIP R 2.7K J 1/16W |             | R170     |         |           | RK73GB1J394J | CHIP R 390K J 1/16W |             |
| R107     |         |           | RK73GB1J470J | CHIP R 47 J 1/16W   |             | R171     |         |           | RK73GB1J474J | CHIP R 470K J 1/16W |             |
| R108     |         |           | RK73GB1J222J | CHIP R 2.2K J 1/16W |             | R172     |         |           | RK73GB1J473J | CHIP R 47K J 1/16W  |             |
| R109     |         |           | RK73GB1J102J | CHIP R 1.0K J 1/16W |             | R173     |         |           | RK73GB1J104J | CHIP R 100K J 1/16W |             |
| R110,111 |         |           | RK73GB1J103J | CHIP R 10K J 1/16W  |             | R174     |         |           | R92-1252-05  | CHIP R 0 OHM        |             |
| R112     |         |           | RK73GB1J102J | CHIP R 1.0K J 1/16W |             | R175     |         |           | RK73GB1J103J | CHIP R 10K J 1/16W  |             |
| R113     |         |           | RK73GB1J391J | CHIP R 390 J 1/16W  |             | R176     |         |           | R92-1252-05  | CHIP R 0 OHM        |             |
| R114,115 |         |           | RK73GB1J103J | CHIP R 10K J 1/16W  |             | R177     |         |           | RK73GB1J473J | CHIP R 47K J 1/16W  |             |
| R116,117 |         |           | RK73GB1J153J | CHIP R 15K J 1/16W  |             | R178,179 |         |           | RK73GB1J104J | CHIP R 100K J 1/16W |             |
| R118     |         |           | RK73GB1J473J | CHIP R 47K J 1/16W  |             | R180     |         |           | RK73GB1J222J | CHIP R 2.2K J 1/16W |             |
| R119     |         |           | R92-1252-05  | CHIP R 0 OHM        |             | R181     |         |           | RK73GB1J472J | CHIP R 4.7K J 1/16W |             |
| R120,121 |         |           | RK73GB1J473J | CHIP R 47K J 1/16W  |             | R182,183 |         |           | R92-1252-05  | CHIP R 0 OHM        |             |
| R122     |         |           | RK73GB1J102J | CHIP R 1.0K J 1/16W |             | R184     |         |           | RK73GB1J333J | CHIP R 33K J 1/16W  | K           |
| R123     |         |           | RK73GB1J104J | CHIP R 100K J 1/16W |             | R184     |         |           | RK73GB1J393J | CHIP R 39K J 1/16W  | K2          |
| R124     |         |           | RK73GB1J334J | CHIP R 330K J 1/16W |             | R185     |         |           | RK73GB1J102J | CHIP R 1.0K J 1/16W |             |
| R126     |         |           | RK73GB1J472J | CHIP R 4.7K J 1/16W |             | R186     |         |           | RK73GB1J155J | CHIP R 1.5M J 1/16W |             |

K : TK-272G K  
K2 : TK-272G K2

## PARTS LIST

TX-RX UNIT (X57-5870-XX)

| Ref. No. | Address | New parts | Parts No.    | Description         | Destination | Ref. No. | Address | New parts | Parts No.      | Description                | Destination |
|----------|---------|-----------|--------------|---------------------|-------------|----------|---------|-----------|----------------|----------------------------|-------------|
| R198     |         |           | RK73GB1J154J | CHIP R 150K J 1/16W |             | R312-314 |         |           | RK73GB1J104J   | CHIP R 100K J 1/16W        |             |
| R199     |         |           | RK73GB1J103J | CHIP R 10K J 1/16W  |             | R316     |         |           | RK73GB1J470J   | CHIP R 47 J 1/16W          |             |
| R200     |         |           | RK73GB1J101J | CHIP R 100 J 1/16W  |             | R318     |         |           | R92-1252-05    | CHIP R 0 OHM               |             |
| R201     |         |           | R92-1252-05  | CHIP R 0 OHM        |             | R319     |         |           | RK73GB1J102J   | CHIP R 1.0K J 1/16W        |             |
| R202     |         |           | RK73GB1J474J | CHIP R 470K J 1/16W |             | R320     |         |           | R92-1252-05    | CHIP R 0 OHM               |             |
| R203     |         |           | R92-1252-05  | CHIP R 0 OHM        |             | VR1      |         |           | R12-7491-05    | TRIMMING POT.(68K)         |             |
| R204     |         |           | RK73GB1J104J | CHIP R 100K J 1/16W |             | S401     |         |           | S70-0457-05    | TACT SWITCH                |             |
| R205     |         |           | RK73GB1J182J | CHIP R 1.8K J 1/16W |             | S402,403 |         |           | S70-0424-05    | TACT SWITCH                |             |
| R206     |         |           | RK73GB1J471J | CHIP R 470 J 1/16W  |             | MIC1     |         |           | T91-0579-05    | MIC ELEMENT                |             |
| R207     |         |           | RK73GB1J101J | CHIP R 100 J 1/16W  |             | D1       |         |           | MA2S111        | DIODE                      |             |
| R208     |         |           | RN73GH1J682D | CHIP R 6.8K D 1/16W |             | D2       |         |           | MA2SV05        | VARIABLE CAPACITANCE DIODE |             |
| R209     |         |           | RK73GB1J224J | CHIP R 220K J 1/16W |             | D3       |         |           | HVU131         | DIODE                      |             |
| R210     |         |           | RK73GB1J474J | CHIP R 470K J 1/16W |             | D4       |         |           | MA2SV05        | VARIABLE CAPACITANCE DIODE |             |
| R211     |         |           | RK73GB1J103J | CHIP R 10K J 1/16W  |             | D5       |         |           | HSC277         | DIODE                      |             |
| R212     |         |           | RN73GH1J683D | CHIP R 68K D 1/16W  |             | D6       |         |           | MA360          | VARIABLE CAPACITANCE DIODE |             |
| R213     |         |           | RN73GH1J682D | CHIP R 6.8K D 1/16W |             | D7       |         |           | HSC277         | DIODE                      |             |
| R214     |         |           | RK73GB1J184J | CHIP R 180K J 1/16W |             | D8       |         |           | MA8062         | ZENER DIODE                |             |
| R215     |         |           | RK73GB1J474J | CHIP R 470K J 1/16W |             | D9       |         |           | MA2S304        | VARIABLE CAPACITANCE DIODE |             |
| R218     |         |           | R92-1252-05  | CHIP R 0 OHM        |             | D10      |         |           | HSC277         | DIODE                      |             |
| R219     |         |           | RK73GB1J273J | CHIP R 27K J 1/16W  |             | D11      |         |           | MA2S304        | VARIABLE CAPACITANCE DIODE |             |
| R220,221 |         |           | RK73GB1J184J | CHIP R 180K J 1/16W |             | D12      |         |           | MA2S111        | DIODE                      |             |
| R222     |         |           | RK73GB1J153J | CHIP R 15K J 1/16W  |             | D13,14   |         |           | DAN235E        | DIODE                      |             |
| R223     |         |           | RK73GB1J223J | CHIP R 22K J 1/16W  |             | D15      |         |           | HSC277         | DIODE                      |             |
| R224     |         |           | RK73GB1J103J | CHIP R 10K J 1/16W  |             | D17      |         |           | MA2S111        | DIODE                      |             |
| R225     |         |           | RK73GB1J153J | CHIP R 15K J 1/16W  |             | D21      |         |           | 1SS373         | DIODE                      |             |
| R226     |         |           | R92-1252-05  | CHIP R 0 OHM        |             | D22      |         |           | 1SR154-400     | DIODE                      |             |
| R230     |         |           | RK73GB1J223J | CHIP R 22K J 1/16W  |             | D23      |         |           | RB706F-40      | DIODE                      |             |
| R231     |         |           | RK73GB1J104J | CHIP R 100K J 1/16W |             | D301     |         |           | HSC277         | DIODE                      | K2          |
| R232     |         |           | RK73GB1J152J | CHIP R 1.5K J 1/16W |             | D302,303 |         |           | HVC350B        | VARIABLE CAPACITANCE DIODE |             |
| R233     |         |           | R92-1252-05  | CHIP R 0 OHM        |             | D305     |         |           | HVC350B        | VARIABLE CAPACITANCE DIODE |             |
| R234     |         |           | RK73GB1J124J | CHIP R 120K J 1/16W |             | IC1      |         |           | PF0314-03      | IC (RF POWER MODULE)       | K           |
| R235     |         |           | RK73GB1J334J | CHIP R 330K J 1/16W |             | IC1      |         |           | PF0313-03      | IC (RF POWER MODULE)       | K2          |
| R237     |         |           | R92-1252-05  | CHIP R 0 OHM        |             | IC2      |         |           | MB15A02        | MOS IC                     |             |
| R239     |         |           | RK73GB1J153J | CHIP R 15K J 1/16W  |             | IC3      |         |           | NJM2904V       | MOS IC                     |             |
| R240     |         |           | RK73GB1J223J | CHIP R 22K J 1/16W  |             | IC4      |         |           | TA31136FN      | MOS IC                     |             |
| R241     |         |           | RK73GB1J334J | CHIP R 330K J 1/16W |             | IC5,6    |         |           | BU4094BCFV     | MOS IC                     |             |
| R242     |         |           | R92-1252-05  | CHIP R 0 OHM        |             | IC7      |         |           | S-81350HG-KD   | MOS IC                     |             |
| R244     |         |           | RK73GB1J561J | CHIP R 560 J 1/16W  |             | IC8      |         |           | PST9140NR      | MOS IC                     |             |
| R249     |         |           | R92-1252-05  | CHIP R 0 OHM        |             | IC9      |         |           | RN5VL45C       | MOS IC                     |             |
| R250     |         |           | RK73GB1J472J | CHIP R 4.7K J 1/16W |             | IC10     |         |           | AT2408N10SI2.5 | ROM IC                     |             |
| R251     |         |           | RK73GB1J474J | CHIP R 470K J 1/16W |             | IC11     |         |           | TA7368F        | MOS IC                     |             |
| R252,253 |         |           | R92-1252-05  | CHIP R 0 OHM        |             | IC12     |         |           | AT29C020-90TI  | ROM IC                     |             |
| R254     |         |           | RK73GB1J184J | CHIP R 180K J 1/16W |             | IC13     |         |           | 30622M4102GP   | MPU                        |             |
| R255     |         |           | RK73GB1J474J | CHIP R 470K J 1/16W |             | IC14     |         |           | TC35453F       | MOS IC                     |             |
| R256-258 |         |           | R92-1252-05  | CHIP R 0 OHM        |             | IC15     |         |           | TA75W01FU      | MOS IC                     |             |
| R259     |         |           | RK73GB1J473J | CHIP R 47K J 1/16W  |             | IC16     |         |           | TC75W51FU      | MOS IC                     |             |
| R260,261 |         |           | RK73GB1J224J | CHIP R 220K J 1/16W |             | IC17     |         |           | X9C103SI       | ANALOG IC                  |             |
| R301     |         |           | R92-0679-05  | CHIP R 0 OHM        |             | IC18     |         |           | LC73872M       | MOS IC                     |             |
| R302     |         |           | RK73GB1J121J | CHIP R 120 J 1/16W  | K           | IC19     |         |           | TA75W01FU      | MOS IC                     |             |
| R302     |         |           | RK73GB1J221J | CHIP R 220 J 1/16W  | K2          | IC301    |         |           | UPB1509GV      | BI-POLAR IC                |             |
| R303     |         |           | RK73GB1J101J | CHIP R 100 J 1/16W  |             | Q1       |         |           | 2SC5108(Y)     | TRANSISTOR                 |             |
| R304     |         |           | RK73GB1J472J | CHIP R 4.7K J 1/16W |             | Q2       |         |           | 2SC4226(R24)   | TRANSISTOR                 |             |
| R305     |         |           | R92-1252-05  | CHIP R 0 OHM        |             | Q3,4     |         |           | 2SC5108(Y)     | TRANSISTOR                 |             |
| R306     |         |           | RK73GB1J222J | CHIP R 2.2K J 1/16W |             | Q6       |         |           | 2SC4988        | TRANSISTOR                 |             |
| R308     |         |           | R92-0670-05  | CHIP R 0 OHM        |             |          |         |           |                |                            |             |
| R311     |         |           | RK73GB1J221J | CHIP R 220 J 1/16W  |             |          |         |           |                |                            |             |

## PARTS LIST

TX-RX UNIT (X57-5870-XX)

| Ref. No. | Address | New parts | Parts No.     | Description        | Destination | Ref. No. | Address | New parts | Parts No. | Description | Destination |
|----------|---------|-----------|---------------|--------------------|-------------|----------|---------|-----------|-----------|-------------|-------------|
| Q7       |         |           | 2SJ243        | FET                |             |          |         |           |           |             |             |
| Q8       |         |           | UMC4          | TRANSISTOR         |             |          |         |           |           |             |             |
| Q9       |         |           | DTC144EE      | DIGITAL TRANSISTOR |             |          |         |           |           |             |             |
| Q10      |         |           | 2SK508NV(K52) | FET                |             |          |         |           |           |             |             |
| Q11      |         |           | 2SC4617(S)    | TRANSISTOR         |             |          |         |           |           |             |             |
| Q12      |         |           | 2SC4649(N,P)  | TRANSISTOR         |             |          |         |           |           |             |             |
| Q13,14   |         |           | DTA144EE      | DIGITAL TRANSISTOR |             |          |         |           |           |             |             |
| Q15      |         |           | DTC114EE      | DIGITAL TRANSISTOR |             |          |         |           |           |             |             |
| Q16      |         |           | DTA114YE      | DIGITAL TRANSISTOR |             |          |         |           |           |             |             |
| Q17      |         |           | DTC144EE      | DIGITAL TRANSISTOR |             |          |         |           |           |             |             |
| Q18      |         |           | FP210         | TRANSISTOR         |             |          |         |           |           |             |             |
| Q19      |         |           | 3SK166A       | FET                |             |          |         |           |           |             |             |
| Q20,21   |         |           | UMG3N         | TRANSISTOR         |             |          |         |           |           |             |             |
| Q22      |         |           | 2SC4619       | TRANSISTOR         |             |          |         |           |           |             |             |
| Q23      |         |           | UMC4          | TRANSISTOR         |             |          |         |           |           |             |             |
| Q24,25   |         |           | DTC114EE      | DIGITAL TRANSISTOR |             |          |         |           |           |             |             |
| Q26      |         |           | DTA114EE      | DIGITAL TRANSISTOR |             |          |         |           |           |             |             |
| Q27      |         |           | UPA572T       | FET                |             |          |         |           |           |             |             |
| Q28      |         |           | DTA114YE      | DIGITAL TRANSISTOR |             |          |         |           |           |             |             |
| Q30      |         |           | 2SK1588       | FET                |             |          |         |           |           |             |             |
| Q31      |         |           | 2SC4619       | TRANSISTOR         |             |          |         |           |           |             |             |
| Q32      |         |           | 2SA1362(GR)   | TRANSISTOR         |             |          |         |           |           |             |             |
| Q33,34   |         |           | DTC144EE      | DIGITAL TRANSISTOR |             |          |         |           |           |             |             |
| Q35      |         |           | UPA672T       | FET                |             |          |         |           |           |             |             |
| Q36      |         |           | 2SK1824       | FET                |             |          |         |           |           |             |             |
| Q301     |         |           | 2SK1215(E)    | FET                |             |          |         |           |           |             |             |