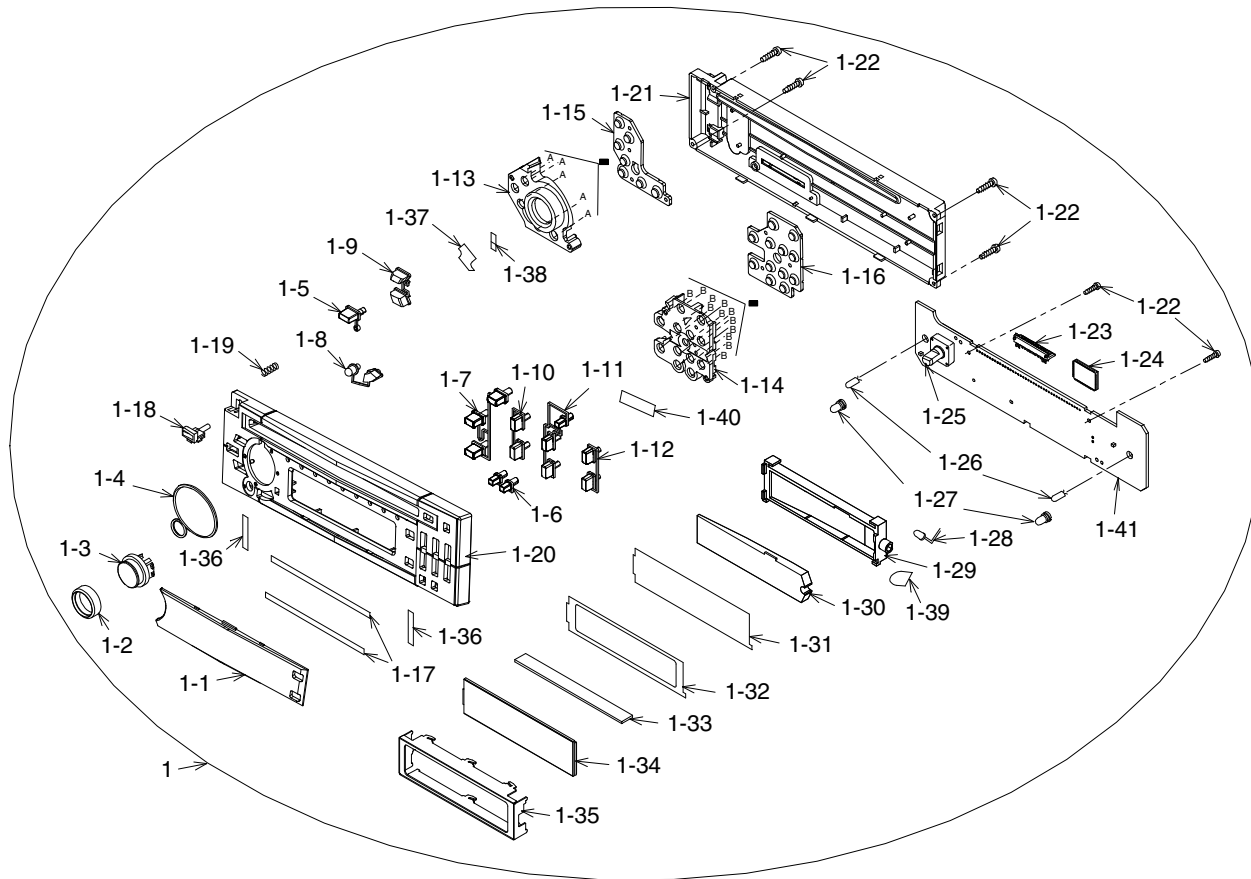


# EXPLODED / VIEW PARTS LIST

## DCP Section



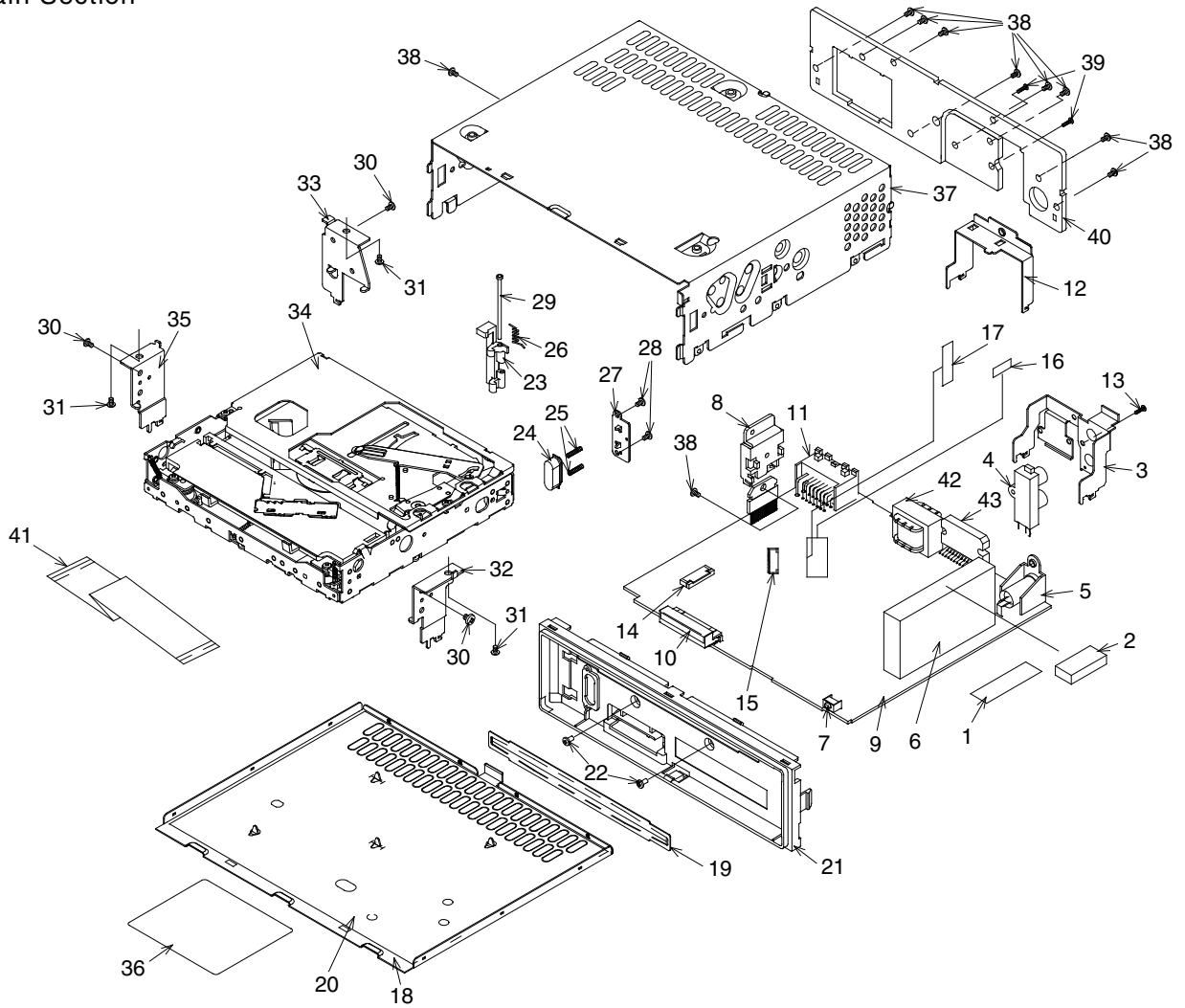
■: SANKOL application  
 Note) SANKOL uses CFD-409Z

Note) Several different parts of the same reference number are alternative parts.  
 One of those parts is used in the set.

NO.	PART NO.	DESCRIPTION	Q'TY
1	DCP-569-600	DCP ASSY(PE-2796B-A)	1
	DCP-569-800	DCP ASSY(PE-2796K-A/B)	1
1-1	373-1082-04	DIAL-CVR(PE-2796B-A)	1
	373-1082-06	DIAL-CVR(PE-2796K-A/B)	1
1-2	345-5496-00	RUBBER RING	1
1-3	380-5673-00	KNOB	1
1-4	335-7644-00	KNOB RING	1
1-5	382-7558-00	BUTTON	1
1-6	382-7550-02	BUTTON	1
1-7	382-7555-00	BUTTON	1
1-8	382-7565-00	BUTTON	1
1-9	382-7564-00	BUTTON	1
1-10	382-7563-00	BUTTON	1
1-11	382-7567-03	BUTTON	1
1-12	382-7568-02	BUTTON	1
1-13	335-7655-00	ILLUMI PLATE(R)	1
1-14	335-7656-00	ILLUMI PLATE(L)	1
1-15	345-5893-00	RUBBER KEY(L)	1
1-16	345-5894-00	RUBBER KEY(R)	1
1-17	347-7410-00	DOUBLE FACE(DC)	2
1-18	382-7562-00	BUTTON	1
1-19	750-6817-00	SPRING	1
1-20	370-6193-03	ESCUTCHEON	1

NO.	PART NO.	DESCRIPTION	Q'TY
1-21	335-6897-03	REAR-CVR	1
1-22	716-0872-62	SCREW(M1.7x6)	6
1-23	076-0615-50	PLUG(12P)	1
1-24	051-6013-00	IC	1
1-25	016-9900-84	VR W/SHAFT	1
1-26	017-0444-00	PILOT LAMP(14V 50mA)	2
1-27	345-5899-03	LAMP CAP	2
	345-5231-01	LAMP CAP	2
1-28	001-7046-01	DIODE	1
1-29	335-7657-00	LCD HOLDER	1
1-30	335-7658-00	LCD ILLUMI	1
1-31	347-7955-00	LCD FILM	1
1-32	347-7956-00	BLACK FILM	1
1-33	345-5920-00	RUBBER PART	1
1-34	379-1352-41	INDICATOR(LCD)	1
1-35	331-4112-00	LCD COVER	1
1-36	347-7952-00	DOUBLE FACE	2
1-37	347-7958-00	FILM	1
1-38	347-7957-00	FILM	1
1-39	347-7953-00	FILM	1
1-40	347-8007-00	FILM	1
1-41	-----	SWITCH PWB	1

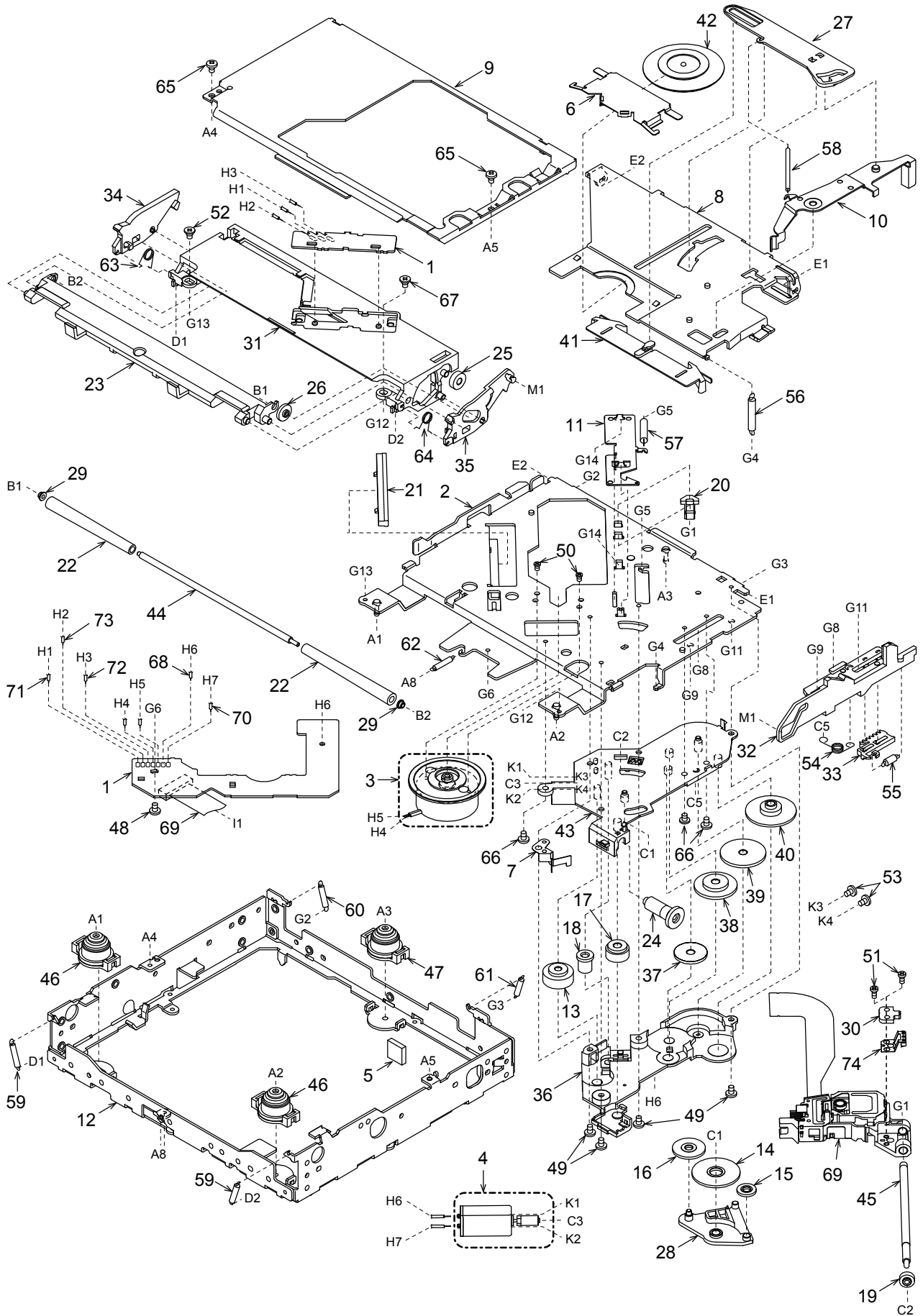
# Main Section



NO.	PART NO.	DESCRIPTION	Q'TY
1	347-6341-00	E-SHEET	1
2	345-5312-00	CUSHION	1
3	331-3934-00	IC HOLDER	1
4	075-0388-00	JACK	1
5	092-4000-51	ANT-RECEPT	1
6	880-2090B	TUNER	1
7	013-6103-00	TACT SWITCH	1
8	313-1890-00	HEAT SINK	1
9	-----	MAIN PWB	1
10	074-1217-50	OUTLET SOCKET(12P)	1
11	074-1214-00	OUTLET SOCKET(16P)	1
12	331-3561-03	CONECT HOLDER	1
13	702-2608-11	TAP SCREW(M2.6x8)	1
14	074-1138-60	OUTLET SOCKET(10P)	1
15	074-1138-65	OUTLET SOCKET(15P)	1
16	347-7536-00	FILM	1
17	347-7535-00	FILM	1
18	311-1859-02	LOWER CASE	1
19	346-0194-00	LEATHER SHEET	1
20	347-6880-01	INSULATOR	1
21	370-6027-02	ESCUTCHEON(I)	1
22	780-2607-52	SCREW(M2.6x7)	2
23	335-5915-01	HOOK	1

NO.	PART NO.	DESCRIPTION	Q'TY
24	382-4078-00	BUTTON (P-OUT)	1
25	750-3173-00	SPRING	2
26	750-3219-00	SPRING(F-HOOK)	1
27	331-2594-00	HOOK PLATE	1
28	716-0778-50	WAVE SCREW(M2x6)	2
29	341-1627-00	SHAFT	1
30	714-2603-89	MACHINE SCREW(M2.6x3)	3
31	714-3004-89	MACHINE SCREW(M3x4)	3
32	331-3569-00	MECH-SUB-BRKT(R)	1
33	331-3427-00	MECH BRKT	1
34	929-5003-80	CD-MECH-MODULE	1
35	331-3570-00	MECH-SUB-BRKT	1
36	286-6747-00	SETPLATE(PE-2796B-A)	1
	286-6804-00	SETPLATE(PE-2796K-B)	1
	286-6813-00	SETPLATE(PE-2796K-C)	1
37	310-1778-05	UPPER CASE	1
38	714-3006-85	MACHINE SCREW(M3x6)	10
39	714-2610-85	MACHINE SCREW(M2.6x10)	2
40	313-1921-00	HEAT SINK	1
41	816-4010-50	FLAT WIRE	1
42	009-9006-70	CHOKE	1
43	051-2057-00	IC	1

CD mechanism section 929-5003-80



NO.	PART NO.	DESCRIPTION	Q'TY	NO.	PART NO.	DESCRIPTION	Q'TY
1	-----	SENSOR PWB	1	38	621-1749-20	POWER GEAR B	1
2	966-1743-21	DRIVE-PLT-ASSY	1	39	621-1750-20	POWER GEAR C	1
3	SMA-182-100	SPINDLE MOTOR-ASSY	1	40	621-1751-20	POWER GEAR D	1
4	SMA-183-100	SLED MOTOR-ASSY	1	41	621-1752-20	DISC STOPPER	1
5	345-5476-20	CUSHION RUBBER	1	42	621-1753-20	CLAMPER RING	1
6	620-1023-23	CLAMPER PLATE	1	43	621-1754-20	GEAR BASE	1
7	620-1026-21	SPRING PLATE	1	44	622-1571-21	ROLLER SHAFT	1
8	620-1596-23	CLAMPER LINK	1	45	624-0020-00	LEAD SCREW	1
9	620-1598-22	UPPER CHASSIS	1	46	629-0086-20	DAMPER F	2
10	620-1752-20	SENSOR ARM	1	47	629-0087-20	DAMPER R	1
11	620-1753-20	ID-LOCK PLATE	1	48	716-1507-01	SCREW(M2x3)	1
12	620-1748-21	LOWER CHASSIS	1	49	716-1670-01	SCREW(M2x4)	4
13	621-0608-21	SECOND GEAR	1	50	716-1733-01	SCREW(M1.7x2.3)	2
14	621-0609-20	BASE GEAR	1	51	716-3469-01	SCREW(1.7x4)	2
15	621-0610-20	IDLE GEAR A	1	52	716-3473-01	SCREW(M2x3)	1
16	621-0611-20	IDLE GEAR B	1	53	716-3551-00	SCREW(M1.4x2.5)	2
17	621-0612-21	ROLLER GEAR A	1	54	750-3467-21	SHIFT SPRING	1
18	621-0620-20	THREAD GEAR A	1	55	750-3468-20	RACK SPRING	1
19	621-0621-20	THREAD GEAR B	1	56	750-3469-20	CLAMPER SPRING	1
20	621-0623-23	LS-HOLDER	1	57	750-3470-20	ID-LOCK SPRING	1
21	621-0624-22	GUIDE RAIL	1	58	750-3471-20	SENSOR SPRING	1
22	621-0711-20	LOADING ROLLER	2	59	750-3472-21	DR-SPRING F	2
23	621-0718-21	ROLLER GUIDE	1	60	750-3473-20	DR-SPRING RA	1
24	621-0719-20	ROLLER GEAR	1	61	750-3474-20	DR-SPRING RB	1
25	621-0720-20	ROLLER GEAR C	1	62	750-3475-21	DR-SPRING C	1
26	621-0721-20	ROLLER GEAR D	1	63	750-6797-20	ROLLER SPRING L	1
27	621-0728-20	STOPPER LINK	1	64	750-6798-20	ROLLER SPRING R	1
28	621-1719-20	IDLE CASE	1	65	714-2003-8B	SCREW(M2x3)	2
29	621-1726-20	ROLLER SLEEVE	2	66	780-2025-00	SCREW(M2x2.5)	3
30	621-1729-20	SH-BASE	1	67	781-1730-00	SCREW(M1.7x3)	1
31	621-1742-20	UPPER GUIDE	1	68	803-4906-60	VINYL-COAT-WIRE(ORG)	1
32	621-1743-20	SHIFT LEVER	1	69	969-0071-30	PICKUP-ASSY	1
33	621-1744-20	RACK	1	70	816-2590-00	SPECIAL LEAD(GRN)	1
34	621-1745-20	LOCK ARM L	1	71	816-2591-00	SPECIAL LEAD(YEL)	1
35	621-1746-20	LOCK ARM R	1	72	816-2592-00	SPECIAL LEAD(BLUE)	1
36	621-1747-20	GEAR COVER	1	73	816-2593-00	SPECIAL LEAD(PUR)	1
37	621-1748-20	POWER GEAR A	1	74	966-1722-20	SH-RACK-ASSY	1

# ELECTRICAL PARTS LIST

Main PWB (B1) section

Note) Several different parts of the same reference number are alternative parts.  
One of those parts is used in the set.

REF No.	PART No.	DESCRIPTION	REF No.	PART No.	DESCRIPTION	REF No.	PART No.	DESCRIPTION
ANT1	092-4000-51	ANT-RECEPT	C316	168-4732-78	25V 0.047uF	C606	166-1011-50	50V 100pF
BL1	880-2090B	TUNER	C317	168-4732-78	25V 0.047uF	C608	168-1032-55	25V 0.01uF
C1	168-2232-55	25V 0.022uF	C318	168-1042-78	25V 0.1uF	C609	168-1042-78	25V 0.1uF
C2	168-3322-55	25V 3300pF	C319	168-1042-78	25V 0.1uF	C610	168-1042-78	25V 0.1uF
C4	187-1053-65	50V 1uF	C321	168-6822-55	50V 6800pF	C611	168-1042-78	25V 0.1uF
C5	168-1532-55	25V 0.015uF	C322	168-3332-78	25V 0.033uF	C612	187-4763-35	16V 47uF
C6	168-1532-55	25V 0.015uF	C324	178-1052-78	25V 1uF	C613	042-1631-50	10V 100uF
C7	187-4763-35	16V 47uF	C325	168-1042-78	25V 0.1uF	C614	168-1042-78	25V 0.1uF
C8	168-2232-55	25V 0.022uF	C326	168-1042-78	25V 0.1uF	C615	166-1011-50	50V 100pF
C9	168-2232-55	25V 0.022uF	C328	168-1042-78	25V 0.1uF	C616	166-1501-50	50V 15pF
C10	168-6822-55	50V 6800pF	C329	168-1042-78	25V 0.1uF	C618	168-1042-78	25V 0.1uF
C11	187-1073-35	16V 100uF	C330	166-6801-50	50V 68pF	C619	189-4773-18	6.3V 470uF
C12	042-1631-50	10V 100uF	C331	168-1042-78	25V 0.1uF	C620	168-1032-55	25V 0.01uF
C14	166-2096-50	50V 2pF	C332	168-1042-78	25V 0.1uF	C621	168-8222-55	50V 8200pF
C16	168-1032-55	25V 0.01uF	C333	168-1532-55	25V 0.015uF	C622	168-1042-78	25V 0.1uF
C18	187-3353-65	50V 3.3uF	C334	168-1042-78	25V 0.1uF	C623	168-1032-55	25V 0.01uF
C20	166-6801-50	50V 68pF	C335	166-6811-50	50V 680pF	C625	189-4773-18	6.3V 470uF
C22	166-1011-50	50V 100pF	C336	168-1042-78	25V 0.1uF	C626	187-3363-25	10V 33uF
C24	166-3311-50	50V 330pF	C337	168-1042-78	25V 0.1uF	C628	168-1042-78	25V 0.1uF
C25	166-6801-50	50V 68pF	C338	168-1522-55	50V 1500pF	C629	168-1022-55	50V 1000pF
C28	168-2232-55	25V 0.022uF	C339	168-4722-55	50V 4700pF	C630	168-1022-55	50V 1000pF
C29	168-4732-78	25V 0.047uF	C340	168-1032-55	25V 0.01uF	C633	187-2263-35	16V 22uF
C30	166-1011-50	50V 100pF	C341	168-1532-55	25V 0.015uF	C635	168-1032-55	25V 0.01uF
C34	168-1022-55	50V 1000pF	C343	168-1042-78	25V 0.1uF	C806	187-4763-35	16V 47uF
C35	166-1011-50	50V 100pF	C347	166-4701-50	50V 47pF	CCT2	050-0145-54	1/32W 47k ohm x4J
C55	166-2201-50	50V 22pF	C348	168-1042-78	25V 0.1uF	D110	001-0347-41	MA4075M
C56	166-2201-50	50V 22pF CH	C349	168-1042-78	25V 0.1uF	D201	001-0347-32	MA4056M
C67	168-1032-55	25V 0.01uF	C350	187-2263-35	16V 22uF	D203	001-0592-61	IN5404
C68	168-1022-55	50V 1000pF	C351	168-5622-55	50V 5600pF	D204	001-0466-60	1A2
C69	168-1022-55	50V 1000pF	C352	178-1052-78	25V 1uF	D205	001-0466-60	1A2
C101	187-1053-65	50V 1uF	C355	178-1052-78	25V 1uF	D301	001-0367-91	1SS226TE85L
C102	178-4742-78	25V 0.47uF	C356	163-1063-35	16V 10uF	D501	001-1310-00	KDS160
C103	178-4742-78	25V 0.47uF	C458	187-1063-35	16V 10uF	D502	001-1310-00	KDS160
C104	178-4742-78	25V 0.47uF	C459	187-1063-35	16V 10uF	D601	001-0347-25	MA4047L
C105	178-4742-78	25V 0.47uF	C460	187-1063-35	16V 10uF	D602	001-4301-41	HZU7.5B2
C106	187-1063-35	16V 10uF	C461	187-1063-35	16V 10uF	D604	001-1310-00	KDS160
C107	178-1052-78	25V 1uF	C501	187-2253-65	50V 2.2uF	D606	001-0347-18	MA4036H
C108	172-2231-15	50V 0.022uF	C502	187-2253-65	50V 2.2uF	D613	001-1310-00	KDS160
C109	187-1053-65	50V 1uF	C503	187-2253-65	50V 2.2uF	D614	001-0347-28	MA4051
C118	178-4742-78	25V 0.47uF	C504	187-2253-65	50V 2.2uF	D615	001-1310-00	KDS160
C119	178-4742-78	25V 0.47uF	C505	168-4722-55	50V 4700pF	IC101	051-2057-00	TB2906HQ
C120	178-4742-78	25V 0.47uF	C506	168-4722-55	50V 4700pF	IC102	051-3324-00	HA13168
C121	178-4742-78	25V 0.47uF	C507	168-1042-78	25V 0.1uF	IC301	051-6079-90	BA5830FP
C122	168-1522-55	50V 1500pF	C509	187-2263-35	16V 22uF	IC302	051-6399-00	TC94A15F
C123	168-1522-55	50V 1500pF	C510	168-2722-55	25V 2700pF	IC501	051-5033-90	PT2311
C124	168-1522-55	50V 1500pF	C511	168-2722-55	25V 2700pF	IC601	052-1948-20	UPD178078GF-692-3BA
C125	168-1522-55	50V 1500pF	C512	178-4742-78	25V 0.47uF	J101	074-1214-00	16P
C126	168-1522-55	50V 1500pF	C513	178-4742-78	25V 0.47uF	J301	074-1138-60	10P
C127	168-1522-55	50V 1500pF	C514	187-2253-65	50V 2.2uF	J303	074-1138-65	15P
C128	168-1522-55	50V 1500pF	C515	187-2253-65	50V 2.2uF	J602	074-1217-50	12P
C129	168-1522-55	50V 1500pF	C516	168-1042-78	25V 0.1uF	JW101	999-0150-06	15mm
C130	166-1011-50	50V 100pF	C517	168-1042-78	25V 0.1uF	JW102	999-0200-06	20mm
C131	168-1042-78	25V 0.1uF	C518	168-1042-78	25V 0.1uF	L1	010-2285-56	2.25k ohm
C132	168-1042-78	25V 0.1uF	C519	168-1042-78	25V 0.1uF	L2	010-2285-56	2.25k ohm
C214	042-1447-00	16V 2200uF	C520	168-1222-55	50V 1200pF	L3	010-2230-69	5.6uH
C243	187-1073-35	16V 100uF	C521	168-1222-55	50V 1200pF	L52	010-2003-04	30uH(Variable)
C301	168-1042-78	25V 0.1uF	C523	187-1073-35	16V 100uF	L101	009-9006-70	CHOKE
C303	187-2273-15	6.3V 220uF	C524	187-4763-15	6.3V 47uF	L401	010-3100-66	2.2uH
C304	168-1042-78	25V 0.1uF	C525	166-1211-50	50V 120pF	L402	010-3100-66	2.2uH
C305	187-1073-35	16V 100uF	C526	166-1211-50	50V 120pF	L601	010-6026-50	220uH
C306	187-1073-35	16V 100uF	C527	166-1211-50	50V 120pF	L602	010-2230-52	0.22uH
C307	168-1042-78	25V 0.1uF	C528	166-1211-50	50V 120pF	L603	010-6025-00	10uH
C310	187-1073-15	6.3V 100uF	C601	168-1032-55	25V 0.01uF	L604	010-2230-52	0.22uH
C311	166-4711-50	50V 470pF	C602	168-1042-78	25V 0.1uF	L605	010-2230-64	2.2uH
C312	178-1052-78	25V 1uF	C603	168-1042-78	25V 0.1uF	L606	010-2230-64	2.2uH
C313	166-4711-50	50V 470pF	C604	187-3353-65	50V 3.3uF	Q6	125-0034-93	RT1P241M
C315	168-1042-78	25V 0.1uF	C605	166-1501-50	50V 15pF			

REF No.	PART No.	DESCRIPTION	REF No.	PART No.	DESCRIPTION	REF No.	PART No.	DESCRIPTION
Q7	125-0034-93	RT1P241M	R301	119-6811-15	1/10W 680 ohm	R513	119-1011-15	1/10W 100 ohm
Q8	125-2041-93	RT1N241M	R302	119-1001-15	1/10W 10 ohm	R514	119-1011-15	1/10W 100 ohm
Q8	125-2027-92	DTC124EUA-T106	R309	119-2211-15	1/10W 220 ohm	R537	119-8221-15	1/10W 8.2k ohm
Q10	192-4155-51	2SC4155	R311	119-1051-15	1/10W 1M ohm	R538	119-1021-15	1/10W 1k ohm
Q11	192-4155-51	2SC4155	R312	119-6811-15	1/10W 680 ohm	R540	119-2231-15	1/10W 22k ohm
Q201	125-4011-90	KTD863	R313	119-2211-15	1/10W 220 ohm	R601	119-1041-15	1/10W 100k ohm
Q204	125-4011-90	KTD863	R314	119-2211-15	1/10W 220 ohm	R602	119-1041-15	1/10W 100k ohm
Q205	125-0034-92	RT1P141M	R316	119-2231-15	1/10W 22k ohm	R603	119-1031-15	1/10W 10k ohm
Q301	131-1188-50	2SB1188	R318	119-3341-15	1/10W 330k ohm	R604	119-1031-15	1/10W 10k ohm
Q302	131-1188-50	2SB1188	R319	119-5621-15	1/10W 5.6k ohm	R606	119-6831-15	1/10W 68k ohm
Q452	192-3440-50	2SC3440	R321	119-2231-15	1/10W 22k ohm	R611	119-1041-15	1/10W 100k ohm
Q453	192-3440-50	2SC3440	R322	119-4731-15	1/10W 47k ohm	R612	119-1041-15	1/10W 100k ohm
Q454	192-3440-50	2SC3440	R324	119-1041-15	1/10W 100k ohm	R613	119-4731-15	1/10W 47k ohm
Q455	192-3440-50	2SC3440	R326	119-1531-15	1/10W 15k ohm	R614	119-4731-15	1/10W 47k ohm
Q501	125-2041-96	RT1N436M	R327	119-4731-15	1/10W 47k ohm	R618	116-1811-15	1/4W 180 ohm
Q501	125-2027-95	DTC143ZUA-T106	R328	119-1831-15	1/10W 18k ohm	R619	116-1221-15	1/4W 1.2k ohm
Q502	125-0034-96	RT1P436M	R329	119-6821-15	1/10W 6.8k ohm	R620	119-1541-15	1/10W 150k ohm
Q503	192-4155-49	2SC4155A	R330	119-8231-15	1/10W 82k ohm	R622	116-1031-15	1/4W 10k ohm
Q504	125-2041-96	RT1N436M	R331	119-8231-15	1/10W 82k ohm	R624	119-1041-15	1/10W 100k ohm
Q504	125-2027-95	DTC143ZUA-T106	R332	119-1001-15	1/10W 10 ohm	R625	119-1041-15	1/10W 100k ohm
Q507	125-2041-93	RT1N241M	R333	119-2731-15	1/10W 27k ohm	R626	119-1031-15	1/10W 10k ohm
Q507	125-2027-92	DTC124EUA-T106	R334	119-2731-15	1/10W 27k ohm	R627	119-1031-15	1/10W 10k ohm
Q604	125-3005-90	KTA1273	R335	119-2731-15	1/10W 27k ohm	R630	119-2231-15	1/10W 22k ohm
Q605	125-3005-90	KTA1273	R336	119-2731-15	1/10W 27k ohm	R631	119-4721-15	1/10W 4.7k ohm
Q606	125-2041-93	RT1N241M	R337	032-0162-50	1/10W 0.51ohm	R632	119-1031-15	1/10W 10k ohm
Q606	125-2027-92	DTC124EUA-T106	R470	119-2231-15	1/10W 22k ohm	R634	116-4721-15	1/4W 4.7k ohm
Q610	125-0034-92	RT1P141M	R471	119-2231-15	1/10W 22k ohm	R635	119-1021-15	1/10W 1k ohm
Q611	192-4155-49	2SC4155A	R472	119-2231-15	1/10W 22k ohm	R636	119-1021-15	1/10W 1k ohm
Q616	125-2041-93	RT1N241M	R473	119-2231-15	1/10W 22k ohm	R637	119-1021-15	1/10W 1k ohm
Q616	125-2027-92	DTC124EUA-T106	R476	119-3311-15	1/10W 330 ohm	R638	116-1021-15	1/4W 1k ohm
Q617	192-4155-49	2SC4155A	R477	119-3311-15	1/10W 330 ohm	R641	119-0000-05	1/10W 0 ohm JW (PE-2796K-A/B)
Q802	125-4011-90	KTD863	R478	119-3311-15	1/10W 330 ohm	R646	119-5611-15	1/10W 560 ohm
R1	119-1021-15	1/10W 1k ohm	R479	119-3311-15	1/10W 330 ohm	R647	119-4721-15	1/10W 4.7k ohm
R7	119-1231-15	1/10W 12k ohm	R481	119-1021-15	1/10W 1k ohm	R648	119-4721-15	1/10W 4.7k ohm
R8	119-1031-15	1/10W 10k ohm	R482	119-1021-15	1/10W 1k ohm	R649	119-1031-15	1/10W 10k ohm
R9	119-6801-15	1/10W 68 ohm	R483	119-4721-15	1/10W 4.7k ohm	R650	119-0000-05	1/10W 0 ohm JW
R10	119-4721-15	1/10W 4.7k ohm	R484	119-4721-15	1/10W 4.7k ohm	R651	119-0000-05	1/10W 0 ohm JW (PE-2796B-A)
R11	119-4741-15	1/10W 470k ohm	R485	119-4721-15	1/10W 4.7k ohm	R654	119-1031-15	1/10W 10k ohm
R13	119-2221-15	1/10W 2.2k ohm	R486	119-4721-15	1/10W 4.7k ohm	R655	119-4731-15	1/10W 47k ohm
R14	119-5631-15	1/10W 56k ohm	R501	119-3921-15	1/10W 3.9k ohm	R657	119-1031-15	1/10W 10k ohm
R16	119-2221-15	1/10W 2.2k ohm	R502	119-3921-15	1/10W 3.9k ohm	R807	116-3311-15	1/4WS 330 ohm
R17	119-5631-15	1/10W 56k ohm	R503	119-5621-15	1/10W 5.6k ohm	R996	119-0000-05	1/10W 0 ohm JW
R21	119-1021-15	1/10W 1k ohm	R504	119-5621-15	1/10W 5.6k ohm	R997	119-0000-05	1/10W 0 ohm JW
R31	119-1031-15	1/10W 10k ohm	R505	119-1031-15	1/10W 10k ohm	SUP51	060-0122-91	DSP141N
R102	119-4731-15	1/10W 47k ohm	R506	119-1031-15	1/10W 10k ohm	SW601	013-6103-00	TACT SWITCH
R105	119-1021-15	1/10W 1k ohm	R507	119-4721-15	1/10W 4.7k ohm	X301	060-1535-90	16.934MHz
R120	119-1031-15	1/10W 10k ohm	R508	119-4721-15	1/10W 4.7k ohm	X601	061-1064-00	4.5MHz
R201	116-2291-15	1/4WS 2.2 ohm	R509	119-4721-15	1/10W 4.7k ohm	PWB	039-2815-01	PWB(WITHOUT COMPONENT)
R202	116-2291-15	1/4WS 2.2 ohm	R510	119-4721-15	1/10W 4.7k ohm			
R203	116-2211-15	1/4WS 220 ohm	R511	119-1011-15	1/10W 100 ohm			
R205	111-4721-98	1/4W 4.7k ohm	R512	119-1011-15	1/10W 100 ohm			

Switch PWB (B2) section

REF No.	PART No.	DESCRIPTION	REF No.	PART No.	DESCRIPTION	REF No.	PART No.	DESCRIPTION
C701	168-4732-78	25V 0.047uF	D707	001-4301-41	HZU7.5B2	R704	119-2231-15	1/10W 22k ohm
C702	168-4732-78	25V 0.047uF	IC702	051-6013-00	LC75854	R710	119-0000-05	1/10W 0 ohm JW
C703	168-4732-78	25V 0.047uF	J702	076-0615-50	12P	R714	119-3311-15	1/10W 330 ohm
C704	168-1022-55	50V 1000pF	LCD702	379-1352-41	INDICATOR(LCD)	R715	119-3311-15	1/10W 330 ohm
C706	042-0423-97	16V 10uF	PL701	017-0444-00	PILOLAMP(14V 50mA)	S719	016-9900-84	VR ROTARY
CCT701	050-0149-52	2.2k ohm	PL702	017-0444-00	PILOLAMP(14V 50mA)	PWB	039-2821-00	PWB(WITHOUT COMPONENTS)
D701	001-7046-01	DIODE	R702	119-4731-15	1/10W 47k ohm			
D702	001-4907-90	PG05GBUSU	R703	119-6841-15	1/10W 680k ohm			

CD mechanism section: 929-5003-80

SENSOR PWB (B3) section

REF No.	PART No.	DESCRIPTION	REF No.	PART No.	DESCRIPTION	REF No.	PART No.	DESCRIPTION
D1	001-7058-90	AN1105W-RR	Q1	060-4015-91	PS1192HB	S2	013-7413-50	SPUG12
D2	001-7058-90	AN1105W-RR	Q2	060-4015-91	PS1192HB	PWB	039-2675-20	PWB(WITHOUT COMPONENT)
J1	074-1138-60	10P	S1	013-7414-50	SPUG22			